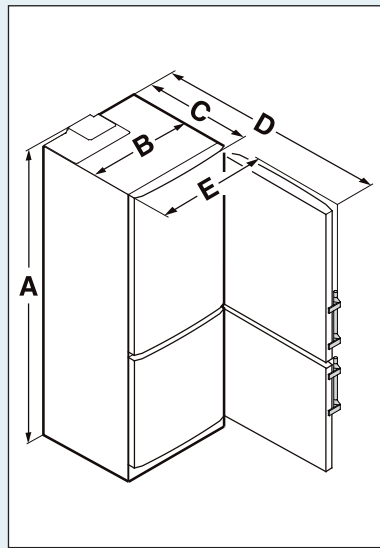


Diagrams

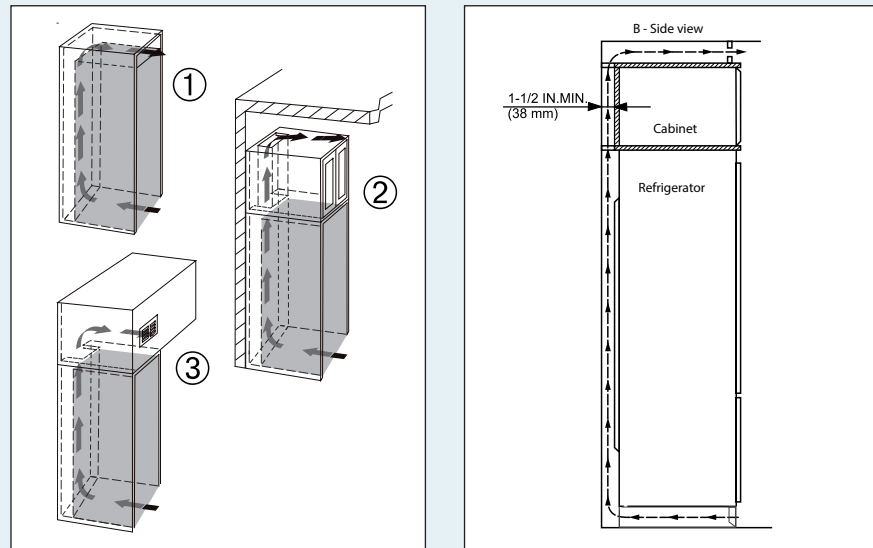
◀30"▶

Unit Dimensions



- A. 66-1/4" (1683 mm)
- B. 29-3/8" (747 mm)
- C. 24-13/16" (630 mm)
- D. 52-3/8" (1330 mm)
- E. 31-1/8" (791 mm)

Ventilation Requirements



Do not restrict the air flow. The opening can either be directly over the appliance ①, above the cabinet and below the ceiling ② or through a vent installed in a soffit ③.

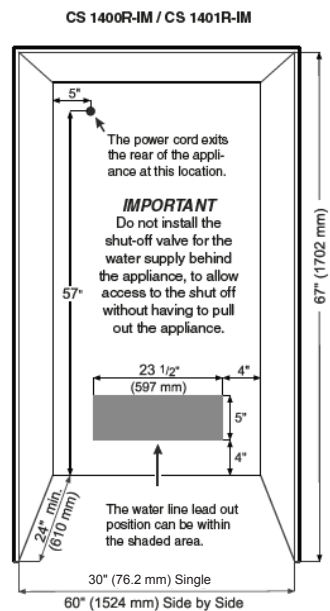
To have the same air flow for CS 1400 appliances, the cabinet opening height must be **67"** minimum. Be sure to consider the possibility of having to raise some of the leveling legs in order to level the appliance when installing. If you adjust the height of the appliance - it will effectively reduce air flow. Therefore leave yourself some room for adjustment.

IMPORTANT

The section between the freezer door and the floor must not be covered.

The refrigerator is designed to allow proper air flow when the appliance is installed up against the wall. A minimum space of 1 1/2" is required behind the cabinet when venting above an upper cabinet which is installed flush to the top of the appliance.

Cabinet Opening Dimensions



The appliance can be used freestanding or semi built-in. If semi built-in, consider the cabinet opening dimensions.

The power cord comes out of the appliance top. The location of the electrical outlet can be within a radius of 90 inch from the appliance top center.



Liebherr CS 1400R-IM

Freestanding/Semi Built-in



LIEBHERR

Freestanding/Semi Built-in

◀30"▶

The compact refrigerator-freezer combination **CS 1400R-IM** is the perfect choice for a smaller footprint of installations with upper cabinets, while including all of the great features and benefits of a Liebherr. The CS 1400R-IM includes smart interior design features like a beverage rack, foldable glass shelf, and a stainless back wall which prevents ice build-up and dripping. Liebherr's SmartSteel material on the door is scratch resistant and makes fingerprints virtually disappear. Doors close automatically and gently thanks to our SoftSystem technology which eliminates slamming, even when shelves are fully loaded. The automatic IceMaker with fixed water connection produces perfect half-moon crescent ice cubes and keeps a constant supply on hand for every occasion.

Liebherr offers an exterior water filter accessory for the CS 1400R-IM which can be placed into the cabinetry above or beside the unit.



Freestanding/Semi Built-in

Energy consumption

in 365 days kWh
Estimated Yearly Energy Cost in US \$

Capacity

Total capacity cu.ft. (l)
Refrigerator comp. cu.ft. (l)
NoFrost Freezer comp. cu.ft. (l)

Shipping weight lbs. (kg)

Climate rating

Sound rating dB(A)

Ice cube output lbs. (kg) / 24h

Ice cube stock lbs. (kg)

Door hinges

Outside dimensions

in inches (cm) H/W/D

Cut out dimensions

in inches (cm) H /W/D

Energy supply

Voltage V/Hz

CS 1400R-IM Comfort



465

56*

12.8 (363)

9.7 (277)

3.1 (86)

238.1 (108)

SN-T

40**

3.1 (1.4)

5.5 (2.5)

right, reversible

66 3/16"/29 9/16"/24 13/16" (168/75/63)

67"/30"/24" (170.2/76.2/61)

115/60

* Energy Cost will depend on utility rates and use. Estimated energy cost based on a national average electricity cost of 12 cents per kWh.

** Noise output – according to EN 60704-3

Features

◀30"▶



German Engineering: Our superior products offer premium quality, cutting edge design and innovative features that fit your busy lifestyle. Exclusive components and materials, along with the latest production processes, ensure energy efficiency and performance for years to come.



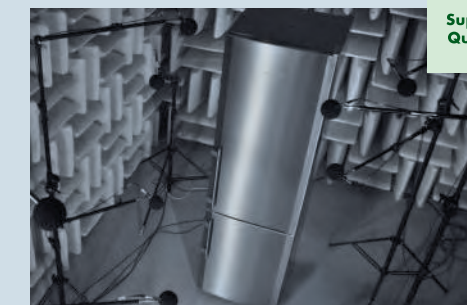
SuperCool/SuperFrost: Simply quick chill and/or freeze fresh groceries to preserve optimum freshness and seal in flavors, textures as well as maintain essential vitamins and minerals.



SmartSteel: Available on select freestanding/semi built-in models, SmartSteel significantly reduces the visibility of fingerprints and is very easy to clean and scratch resistant. All that is required to maintain this beautiful exterior is the wipe of a clean dry or damp cloth.



Energy Star: Liebherr refrigerators help produce less energy waste and greenhouse gas emissions with the goal of having the least damaging effect on the environment, while offering solutions that help consumers conserve energy.



SuperQuiet: Noise is kept to a minimum with virtually silent, speed controlled compressors and a low-noise cooling circuit; while also ensuring exact performance, energy efficiency and SuperQuiet operation.



Stainless back wall: The high-quality, stainless back wall is both eye-catching and highly functional. The stainless wall prevents foods from freezing up against the evaporator, ensuring that the back of the refrigerator is always drip and ice-free. Ventilation slits also help guarantee optimum temperature distribution.



DuoCooling: The dual refrigeration system creates optimal conditions in both the refrigerator and freezer which lengthens the shelf life of food items for a healthier lifestyle. This technology also preserves the flavor and texture of foods since there is no transfer of unwanted air, moisture or food aroma between the two compartments.



SoftSystem: Unique to Liebherr is our patented SoftSystem, often used in high-end cabinetry, ensures that the door closes gently, even when fully loaded. Plus the door opening angle can be reduced to 90 degrees allowing for more design options within kitchen décor.



Electronic Display: Our intuitive electronic touch control panel ensures all functions are easy and convenient to use as well as guarantees that the settings selected remain accurate and constant.