

LG LAUNDRY

WKE100HWA

LG WashTower™ with Centre Control™
 5.2 cu.ft. Washer, 7.4 cu.ft. Dryer

Unitary One Body Design with Centre Control™

AIDD™ & AI Sensor Dry™

Steam Technology

ENERGY STAR® Qualified

ThinQ™ Technology (Wi-Fi Enabled)

Enjoy new ways to control your home with LG smart appliances

LG ThinQ™

- Start the laundry while you're out shopping
- Get alerts when the cycle is finished
- Works with the LG ThinQ® app



SUMMARY	Washer	Dryer
Type	Front Load Washer	Front Load Dryer
Capacity (cu.ft.)	5.2 cu.ft.	7.4 cu.ft.
Colour	White (W)	
APPEARANCE	Washer	Dryer
Full Touch Electrical Control Panel with LED Display		Yes
ENERGY	Washer	Dryer
ENERGY STAR® Qualified		Yes
CEE Tier	Tier2	-
IMEF	2.92	-
IWF	2.9	-
CEF	-	3.94
PROGRAMS	Washer	Dryer
No. of Programs	6	6
	Normal, Bedding, Delicates, Heavy Duty, Speed Wash, Downloaded	Normal, Bedding, Delicates, Heavy Duty, Small Load, Downloaded
Options	Washer	Dryer
No. of Options	9	7
	Delay Wash, Steam, Extra Rinse, Pre-wash, Sanitary*, Tub Clean*, Control Lock*, Signal*, Wi-Fi / Remote Start*	Wrinkle Care, More Time, Less Time, Energy Saver, Control Lock*, Signal*, Wi-Fi* / Remote Start
DETAILS	Washer	Dryer
No. of Wash/Rinse Temps	5	-
Wash/Rinse Temps	Hot, Warm/Hot, Warm, Cold/Warm, Cold	-
No. of Spin Speeds	5	-
Spin Speeds	High, Medium/High, Medium, Low, No Spin	-
Max RPM	1300	-
Water Levels	Load Sensing	-
No. of Soil Levels	5	-

Temperature Settings	-	High, Medium/High, Medium, Low/Medium, Low
Drying Levels	-	Very, More, Normal, Less, Damp
Manual Dry Times	-	60 min, 50 min, 40 min, 30 min, 20 min
FABRIC CARE FEATURES	Washer	Dryer
AI DD™	Yes	-
Steam Technology	Yes	-
Allergiene™ Cycle	Yes	-
Sanitary Cycle	Yes	-
ColdWash™ Option	Yes	-
AI Sensor Dry™	-	Yes
Sensor Dry	-	Yes
Precise Temperature Control with Variable Heater	-	Yes
CONVENIENCE	Washer	Dryer
TrueBalance™ Anti-Vibration System	Yes	-
4 Tray Dispenser	Prewash, Main Wash (with liquid detergent cup), Bleach, Fabric Softener	-
LoadSense	Yes	-
Auto Suds Removal	Yes	-
3 Minute Installation Check	-	Yes
Reversible Door	-	No
FlowSense™ Duct Clogging Indicator	-	Yes
Wrinkle Care Option	-	Yes
Venting Option	-	3 Way
End of Cycle Signal		Yes
Control Lock*		Yes
Drum Light		Yes
4 Adjustable Legs		Yes
Remaining Time Display/Status Indicator(s)		Yes

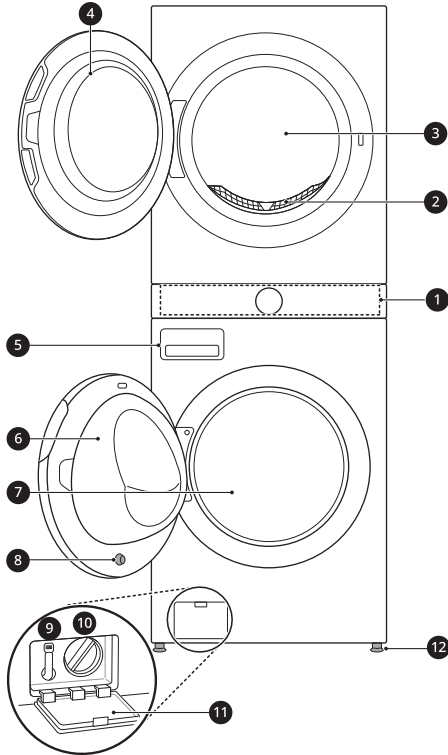
THINQ™ TECHNOLOGY	Washer	Dryer
SmartDiagnosis™ (v3.0)		Yes
Wi-Fi		Yes
Remote Start and Cycle Monitor		Yes
Energy Monitoring		Yes
Tub Clean Coach	Yes	-
MOTOR	Washer	Dryer
Motor Type	Inverter Direct Drive Motor	-
Axis	Horizontal	-
MATERIALS AND FINISHES	Washer	Dryer
NeveRust™ Stainless Steel Drum	Yes	-
Aluminized Alloy Steel Drum	-	Yes
Control Panel		Plastic
Top Plate		Steel
Cabinet		PCM
Door / Rim		Shiny Rose Gold Rim
Door Cover		Tinted Round Tempered Glass
CERTIFICATION	Washer	Dryer
Asthma Canada	Yes	-
POWER SOURCE	Washer	Dryer
Ratings		CSA Listed
Electrical Requirements	120V, 10 Amps	240V 30 Amps
Type		Electric
DIMENSIONS	Washer	Dryer
Product (WxHxD)	27" x 74 3/8" x 30 3/8"	
Depth with Door Open		(55" D with door open)
Carton (WxHxD)	30 1/16" x 79 11/32" x 32"	
Weight (Product/Carton)	311 lbs / 346 lbs	
LIMITED WARRANTY	Washer	Dryer
Parts and Labour	1 Year	1 Year
Direct Drive Motor	10 Years	-
Drum	3 Years	3 Years
UPC	Washer	Dryer
WKE100HWA	772454074196	

PRODUCT OVERVIEW

Product Features

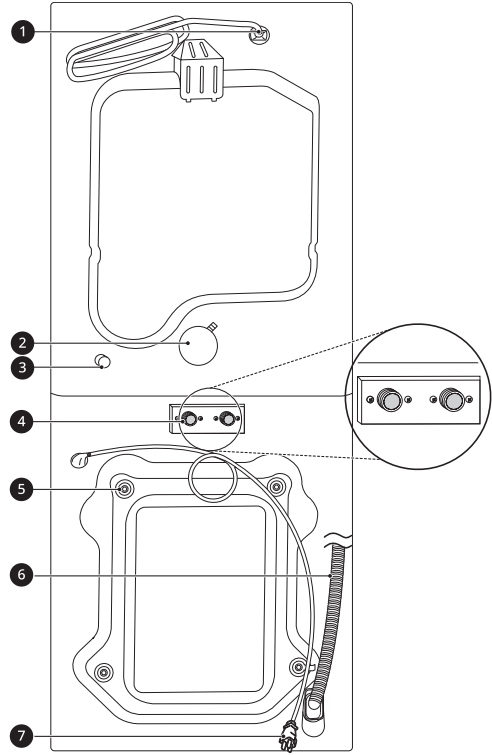
The images in this guide may be different from the actual components and accessories, which are subject to change by the manufacturer without prior notice for product improvement purposes.

Front View



- ① Control Panel
- ② Lint Filter
- ③ Dryer Drum
- ④ Dryer Door
- ⑤ Detergent Dispenser Drawer
- ⑥ Washer Door
- ⑦ Washer Drum
- ⑧ Washer Door Magnet
- ⑨ Drain Hose
- ⑩ Drain Pump Filter
- ⑪ Drain Pump Filter Cover
- ⑫ Leveling Feet

Rear View



- ① Power Cord (for Dryer)
- ② Exhaust Duct Outlet
- ③ Gas connection (for Gas Models)
- ④ Hot and Cold Water Inlets
- ⑤ Shipping Bolts
- ⑥ Drain Hose
- ⑦ Power Cord (for Washer)

Product Specifications

Model	WKE100H*A
Electrical Requirements	Please refer to the rating label for detailed information.
Min. / Max. Water Pressure	20 - 120 psi (138 - 827 kPa)
Dimensions (Width X Height X Depth)	27" X 74 3/8" X 30 3/8" (70 cm X 189 cm X 77 cm)
Maximum Depth with Door Open	55" (139.6 cm)
Net Weight	310.6 lb (141 kg)
Capacity (Washer/Dryer)	IEC 5.2 cu.ft. / 7.4 cu.ft.
Max. Spin Speed (Washer)	1300 RPM
Gas Requirements	NG: 4 - 10.5-inch (10.2 - 26.7 cm) WC LP: 8 - 13-inch (20.4 - 33.1 cm) WC
Operating Temperature Range	41-95 °F (5-35 °C)

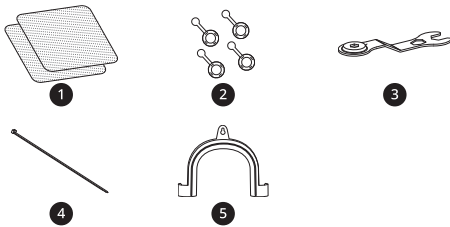


⚠ WARNING

- For your safety and for extended product life, use only authorized components. The manufacturer is not responsible for product malfunction, property damage or bodily injury caused by the use of separately purchased unauthorized components, parts, or non-LG products.

Accessories

Included Accessories



- 1 Non-skid Pads
- 2 Hole Caps
- 3 Wrench
- 4 Tie Strap
- 5 Elbow Bracket (for securing drain hose)

Required Accessories



- 1 Hot and Cold Water Hoses (for Washer)