



INSTALLATION MANUAL

MICROWAVE OVEN

Read this installation manual thoroughly before installing the appliance and keep it handy for reference at all times.

ENGLISH

MVEL213** MVEL212** MVEL203**



MFL37192913
Rev.00_050422

www.lg.com

Copyright © 2022 LG Electronics Inc. All Rights Reserved.

2

TABLE OF CONTENTS

3 IMPORTANT SAFETY INSTRUCTIONS

- 3 READ ALL INSTRUCTIONS BEFORE USE
- 3 WARNING

5 INSTALLATION

- 5 Before Installing
- 7 Installing the Microwave Oven

15 APPENDIX

- 15 Checking Operation

IMPORTANT SAFETY INSTRUCTIONS

READ ALL INSTRUCTIONS BEFORE USE

Safety Messages

Your safety and the safety of others are very important.

We have provided many important safety messages in this manual and on your appliance. Always read and follow all safety messages.



This is the safety alert symbol.

This symbol alerts you to potential hazards that can kill or injure you and others. All safety messages will follow the safety alert symbol and either the word **WARNING** or **CAUTION**.

These words mean:



WARNING

You may be killed or seriously injured if you do not follow instructions.



CAUTION

You may be injured or cause damage to the product if you do not follow instructions.

All safety messages will tell you what the potential hazard is, tell you how to reduce the chance of injury, and tell you what may happen if the instructions are not followed.

WARNING

WARNING

- To reduce the risk of explosion, fire, death, electric shock, injury or scalding to persons when using this product, follow basic precautions, including the following:

Installation

- This appliance should not be installed by anyone except properly qualified service personnel.
- You will need two people to install this appliance. It is heavy and could cause personal injury if not handled properly.
- Avoid Electric Shock.

Before you drill into the wall, note where electrical outlets are and where electrical wires might be concealed behind the wall. You could get an electric shock if you contact electrical wires with your drill bit.

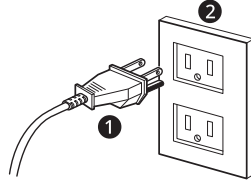
Locate and disconnect the power to any electrical circuits that could be affected by installing this appliance. If you do not disconnect the power, you could get an electric shock.

- This appliance must be grounded.

If there is an electrical short circuit, grounding reduces the risk of electric shock by providing an escape wire for the electric current. This appliance is equipped with a cord which includes a grounding wire with a grounding plug.

4 IMPORTANT SAFETY INSTRUCTIONS

- Place the plug into a properly installed and grounded outlet



- ❶ Three-pronged (grounding) plug
 - ❷ Properly polarized and grounded outlet
- Do not use an extension cord.
 - Keep the power cord dry and do not pinch or crush it. Failure to follow this instruction may cause a fire hazard.
 - Do not, under any circumstances, remove the power supply cord grounding prong.
 - If you use the grounding plug improperly, you risk electric shock and/or fire.
Check with a qualified electrician if you are not sure whether the oven is properly grounded or if you do not completely understand the grounding instructions.
 - Do not use a fuse in the neutral or grounding circuit.
 - Improper grounding could result in electric shock, fire or other personal injury.

Operation

- If you do not use the microwave oven as instructed, you could be exposed to excessive microwave energy.
- Do not try to operate the microwave oven with the door open.
- Do not tamper with or defeat the safety interlocks.
- Do not place objects between the microwave oven front face and the door.
- Do not allow soil or cleaner residue to build up on the flat surfaces around the microwave oven door.
- Do not operate the microwave oven if it is damaged.
- The microwave oven door must close properly to operate safely.
- Do not use the microwave oven:
 - If the door is bent.
 - If the hinges or latches are broken or loose.
 - If the door seals, sealing surfaces or glass is broken.
- Do not attempt to adjust or repair the oven yourself. It should be adjusted and repaired by a qualified technician who can check for microwave leakage after repairing the oven.

SAVE THESE INSTRUCTIONS

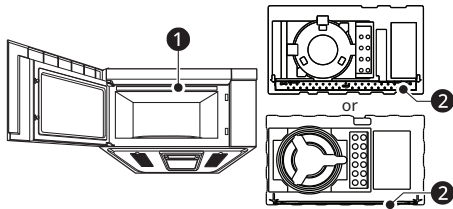
INSTALLATION

Before Installing

Before You Start

Be sure to read the following safety instructions. Read the entire manual before you begin. The model number plate ❶ is located on the oven front.

The mounting plate ❷ is located in the upper packing material.



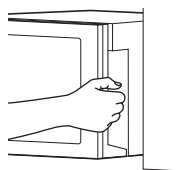
NOTE

- Vent grille appearance varies by model.

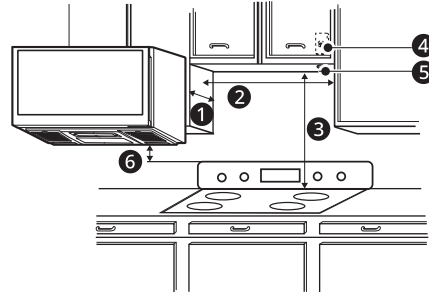
Make sure you have enough space and support.

- Mount the oven against a flat, vertical wall, so it is supported by the wall. The wall should be constructed of minimum 2" x 4" wood studing and 3/8" thick drywall or plaster/lath.
- Attach the two lag screws supporting the oven to a vertical, 2" x 4" wall stud.
- Do not mount the microwave oven to an island or peninsula cabinet.
- Be sure the upper cabinet and rear wall structures can support 150 lbs., plus the weight of any items you place inside the oven or upper cabinet.
- Locate the oven away from areas with strong drafts, such as windows, doors, and strong heating vents.
- The microwave oven has an inset handle on the right side. To access the handle and allow the door to swing open, install the product with sufficient clearance on the sides. Do not block the right side handle area by installing it against a wall or cabinet.

(Model: MVEL213**, MVEL203**)



- Be sure you have enough space (minimum vertical and horizontal clearance).



- ❶ Maximum 13": cabinet depth
- ❷ Minimum 30": cabinet opening width
- ❸ Minimum 30": clearance from bottom of cabinet to cooking surface or countertop before installation. (Use templates included with installation instructions.)
- ❹ Grounded Outlet (inside upper cabinet)
- ❺ Power Supply Cord Hole
- ❻ Minimum 2": clearance from the top of the range control panel to the bottom of microwave oven (slide-out hood model)

⚠ WARNING

- If you do not mount the oven as instructed, you risk personal injury and/or property damage.
- If your range has cooktop controls in the front, unplug the range before covering the cooktop to prevent risk of fire and damage if the knobs are accidentally activated while installing the OTR.
- The product is heavy. Use at least 2 people when lifting or installing the appliance to avoid injury or product damage.

⚠ CAUTION

- Before you begin installing the oven, place a piece of the carton or other heavy material (a blanket) over the countertop or cooktop to protect it. Do not use a plastic cover. Failure to protect these surfaces could result in property damage.

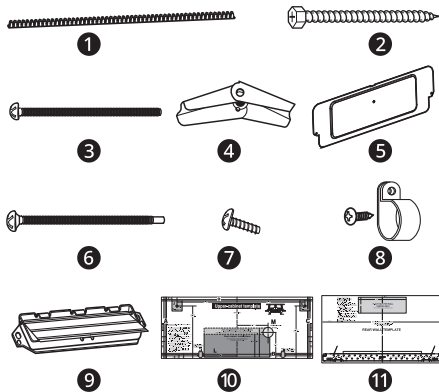
6 INSTALLATION

Parts

Included Parts

NOTE

- Depending on your ventilation requirements, you may not use all of these parts.



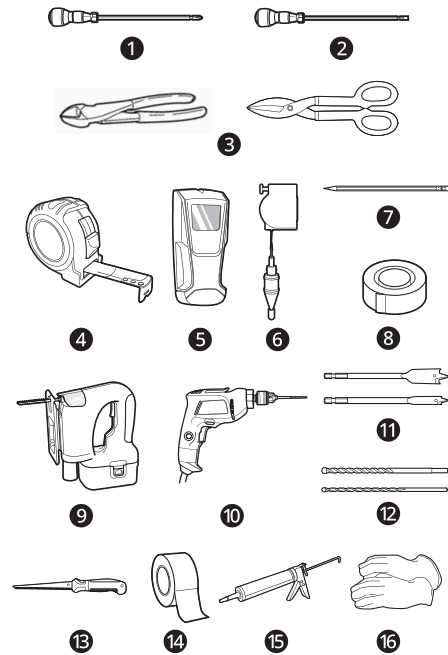
- ① Power cord clamp bushing (1ea): for the cord hole in a metal upper cabinet
- ② 1/4" x 2" lag screw (2ea): for wall stud holes
- ③ 1/4" x 3" toggle bolts (2ea): for drywall holes
- ④ Spring toggle heads (2ea): for the toggle bolts
- ⑤ Cover plate (1ea): for room venting installation
- ⑥ 1/4" x 3" bolts (2ea): for securing to the upper cabinet
- ⑦ Tapping screws (3ea): for attaching the damper duct connector
- ⑧ Power cord clamp (1ea) and dark-colored mounting screw (1ea): to hold the power cord
- ⑨ Back-draft damper: 2 pieces must be assembled as shown. (for roof venting or wall venting installation, not for room venting installation)
- ⑩ Upper cabinet template (1ea)
- ⑪ Rear wall template (1ea)

NOTE

- You need to install at least two lag screws into a 2" x 4" stud and four anchor bolts into the wall. The mounting area must meet the 150 lb. weight requirement.

Tools and Materials

You will need the following tools and materials for the installation:



- ① Phillips screwdriver (for the screws)
- ② Flat blade screwdriver (for the toggle bolts)
- ③ Small side cutters (nipper) or tin snips
- ④ Measuring tape (metal preferred)
- ⑤ Stud finder
- ⑥ Plumb line
- ⑦ Pencil
- ⑧ Clear tape (for taping the templates to the wall)
- ⑨ Saber saw (for cutting vent holes for roof or wall venting)
- ⑩ Electric drill
- ⑪ 3/8" and 3/4" wood drill bits
- ⑫ 1/2" and 3/16" drill bits
- ⑬ Keyhole saw (for the power cord hole)
- ⑭ Duct tape
- ⑮ Caulking gun and caulk
- ⑯ Gloves

NOTE

- If you have brick or masonry walls, you will need special hardware and tools.
- The ductwork you need for the installation is not included. All wall and roof caps must have a back-draft damper (shown in Parts section).
- Wear proper gloves to protect your hands from injury.

⚠ WARNING

- Avoid electric shock. This appliance must be grounded.
- Improper grounding could result in electric shock or other personal injury.

Do not, under any circumstances, remove the power supply cord grounding prong.

Installing the Microwave Oven

Step 1: Prepare the Electrical Connection

- 1 Locate the grounded electrical outlet **2** for this oven in the upper cabinet **1**.

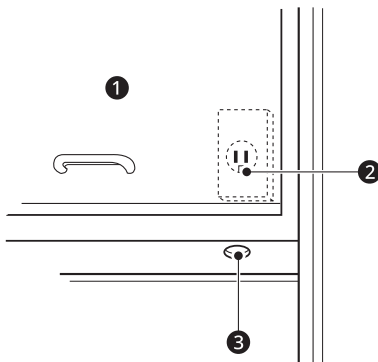
NOTE

- The outlet should be on a circuit dedicated to the microwave oven (120V, 60 Hz., AC only) with a 15 or 20 A fused electrical supply.
- Important: If you do not have the proper wall outlet, you MUST have one installed by a qualified electrician.

- 2 You will cut the hole **3** for the power supply cord later when you prepare the wall and upper cabinet in Step 4.

NOTE

- Do not use an extension cord. Keep the power cord dry and do not pinch or crush it.



Step 2: Prepare the Venting System

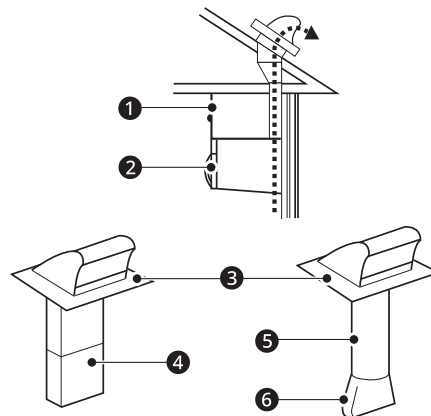
⚠ WARNING

- This oven must be properly vented.

You may vent your ductwork in one of three ways. Do not vent into a wall cavity, an attic, or an unused area.

Roof Venting

The oven is located on an outside wall near the roof: 3 1/4" x 10" duct **4** or minimum 6" diameter round duct **5**.

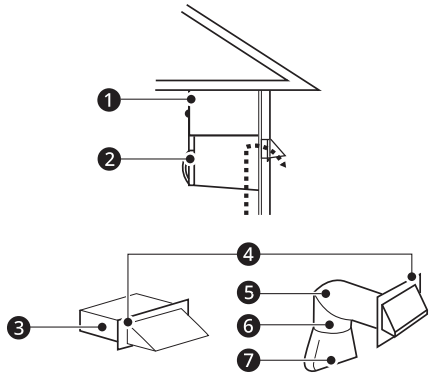


- 1** Cabinet
- 2** Oven
- 3** Roof Cap
- 4** 3 1/4" x 10" duct
- 5** Minimum 6" diameter round duct
- 6** 3 1/4" x 10" to 6" round duct transition

8 INSTALLATION

Wall Venting

The oven is located on an outside wall of your house: 3 1/4" x 10" duct **3** or minimum 6" diameter round duct **6**.



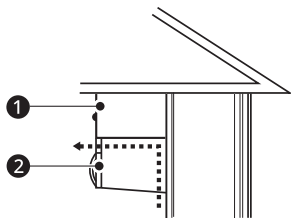
- 1** Cabinet
- 2** Oven
- 3** 3 1/4" x 10" duct
- 4** Wall cap
- 5** Elbow
- 6** Minimum 6" diameter round duct
- 7** 3 1/4" x 10" to 6" round duct transition

NOTE

- If you choose the rear exhaust method (roof venting or wall venting), be sure there is enough clearance within the wall for the exhaust duct.

Room Venting

The oven is located on an inside wall of your house.



- 1** Cabinet
- 2** Oven

When Installing Venting

- Keep the length of the ductwork and the number of elbows to a minimum to ventilate your oven efficiently. See examples in next section.
- Keep the size of the ductwork the same.

- Do not install two elbows together.
- Use duct tape to seal all joints in the duct system.
- Use caulking to seal the exterior wall or roof opening around the cap.
- After installation, check the outside hood opening and operation.
- For the outside hood opening and size refer to the upper cabinet template or rear wall template.

NOTE

- The ductwork you need for outside ventilation is not included with your oven. See the standard ductwork fittings.

Standard Ductwork Fittings



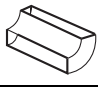

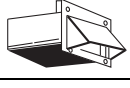

If the existing duct is round, you must use a rectangular-to-round adapter, with a rectangular 3" extension duct installed between the damper assembly and the adapter to prevent the exhaust damper from sticking.


Duct Length

The total length of the duct system, including straight duct, elbows, transitions, and wall or roof caps must not exceed 140 feet.

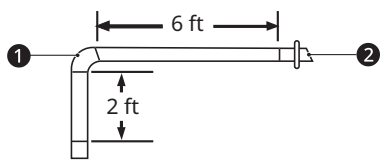
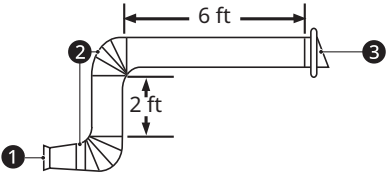
For best performance, do not use more than three 90 degree elbows, and keep the length as short as possible.

Below are the standard fittings and their equivalent length in feet.

	3 1/4" x 10" to 6" transition = 5 ft
	3 1/4" x 10" roof cap = 24 ft
	3 1/4" x 10" 90° elbow = 25 ft
	90° elbow = 10 ft
	3 1/4" x 10" wall cap = 40 ft
	45° elbow = 5 ft

	3 1/4" x 10" flat elbow = 10 ft
---	---------------------------------

To calculate the equivalent length of each duct piece used, see the examples below.

For 3 1/4" x 10" systems	
	
1/4" x 10" 90° elbow ① (1ea)	= 25 ft
Wall cap ② (1ea)	= 40 ft
Straight duct (8 ft)	= 8 ft
Total length	= 73 ft
For 6" round systems	
	
Transition (1ea)	= 5 ft
90°elbows ② (2ea)	= 20 ft
Wall cap ③ (1ea)	= 40 ft
Straight duct (8 ft)	= 8 ft
Total length	= 73 ft

Step 3: Prepare the Venting Blower

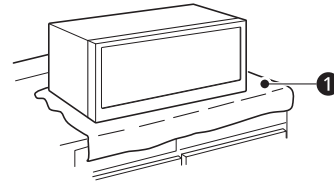
Your microwave oven is shipped with the blower assembled for roof venting. You need to adjust the blower if you want wall-venting or room-venting installation.

⚠ WARNING

- Electric shock hazard! Unplug unit before working on it.
- Do not pull or stretch the blower wiring. Pulling and stretching the blower wiring could result in electric shock.
- To avoid risk of property damage, unplug the microwave oven or disconnect the power at the source by removing the fuse or throwing the circuit breaker.
- To avoid risk of personal injury, wear protective gloves when handling the mounting plate.

Installation

- 1 Remove any shipping materials and parts from inside the microwave oven. Set them aside for later use.
- 2 Cover the countertop or cooktop with a thick, protective covering to protect it from damage and dirt. If your range has cooktop controls in the front, unplug the range before covering the cooktop to prevent risk of fire and damage if the knobs are accidentally activated while installing the OTR.



- ① Blanket, cardboard or other covering

NOTE

- If you have a free-standing range, disconnect it, move it onto a piece of cardboard or hardboard and pull it away from the wall, so that you can get closer to the upper cabinet and back wall for easier measuring and drilling.

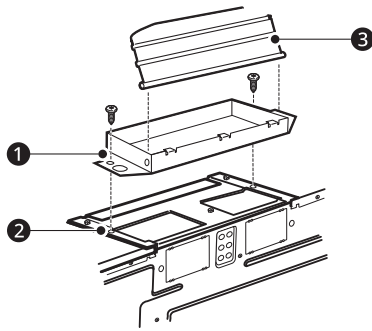
- 3 Locate the exhaust adapter, grease filters and hardware packet.
- 4 At this point, remove any adhesive tape (if there is any), on the exhaust adapter, the grease filters and the power supply cord.

Roof-Venting Installation

This oven is shipped assembled for roof-venting.

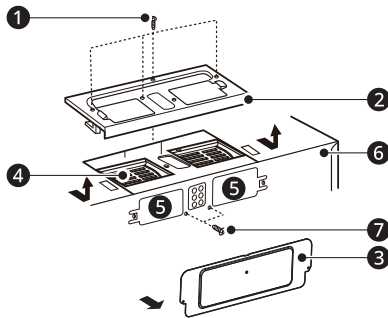
- 1 Insert the tabs on each side of the damper into the holes at the inside rear of the adapter. Attach the exhaust adapter ① to the blower plate ② with the two tapping screws provided. Make sure that the damper ③ swings freely.

10 INSTALLATION



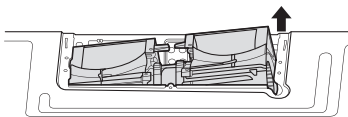
Wall-Venting Installation

- 1 Remove one or several blower plate mounting screw(s) 1 and the blower plate 2. Remove the cover plate 3 and one or two blower unit mounting screw(s) 7.

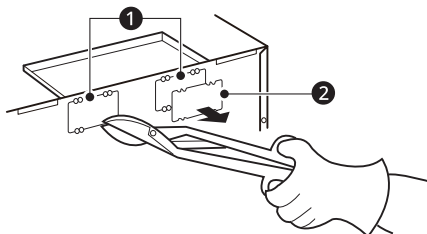


- 4 Blower unit
- 5 Knockouts
- 6 Back plate

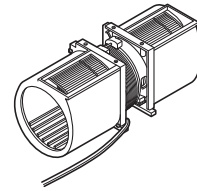
- 2 Carefully lift the blower unit out of the microwave oven.



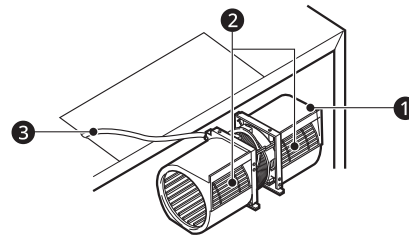
- 3 Use side cutters or tin snips to cut out and remove the knockouts 2 from the back plate 1. Be careful not to distort the back plate. Discard the knockouts.



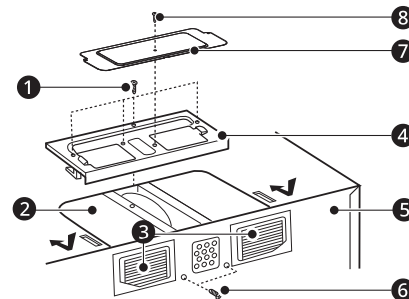
- 4 To avoid pinching the blower wire, make sure that it is channeled underneath and between the two exhaust ports when they are rotated.



- 5 Rotate and reinstall the blower unit 1 so that the exhaust ports 2 face the rear of the cabinet and are aligned with the rear knockouts. When you insert the blower unit, the blower wire 3 must be routed as shown.

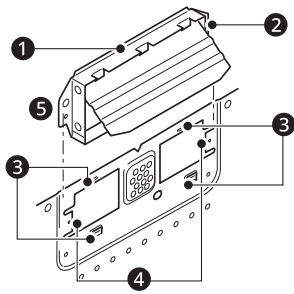


- 6 Attach the blower plate 4 to the microwave oven so the blower unit exhaust ports 3 and blower plate opening are aligned. Attach one or two blower unit mounting screw(s) 6 and then one or several blower plate mounting screw(s) 1. Attach the cover plate 7 on the blower plate with a screw 8.



- 2 Blower unit
- 5 Back plate

- 7 Insert the tabs on each side of the damper into the holes at the inside rear of the adapter. Attach the exhaust adapter 1 to the back plate wall side. Push in securely until it is past the top locking tabs 3 and in the lower locking tabs 3. Make sure that the damper hinge is at the top and that the damper swings freely.



- ② Damper (hinge side up)
- ③ Guides
- ⑤ Slide exhaust adapter into guides on rear panel.

- ⑤ Blower unit
- ⑥ Back plate

⚠ WARNING

- Fire hazard! Correctly install the vent fan before use.

When changing the vent fan position for wall venting or room venting:

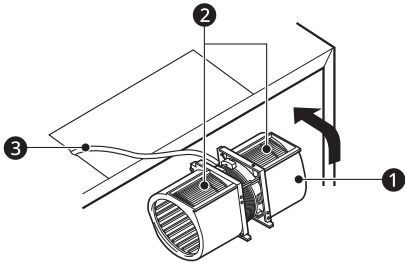
- Properly align the ventilation fan openings and blower plate knockouts.
- Ventilation fan openings should be completely exposed to the outside.
- After installation, check the air ventilation path. Refer to step 2 for proper vent selection.

Improper installation can cause problems such as:

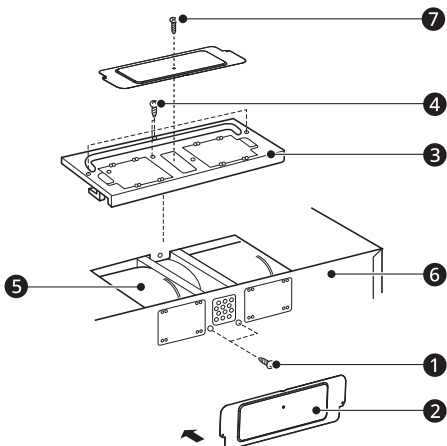
- Inability to assemble the blower plate or ventilation motor correctly
- Abnormal noise during product operation
- Weak ventilation
- Product overheating and the possibility of product breakdown or fire

Room-Venting Installation

- 1 Follow steps 1 and 2 under Wall-Venting Installation.
- 2 Rotate and reinstall the blower unit ① so that the exhaust ports ② face the front of the cabinet. When you insert the blower unit, the blower wire ③ must be routed as shown.



- 3 Attach one or two blower unit mounting screw(s) ①. Attach the cover plate ② on the back. Attach the blower plate ③ to the microwave oven. Attach one or several blower plate mounting screw(s) ④. Attach the cover plate ② on the blower plate and attach the screw ⑦



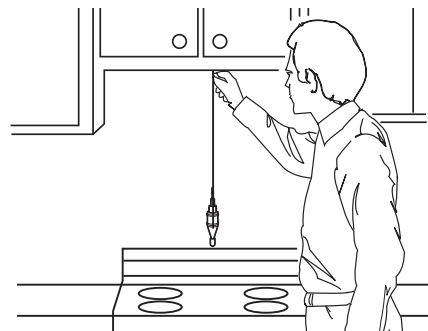
Step 4: Prepare the Wall and Upper Cabinet

⚠ WARNING

- To avoid personal injury or property damage, do not attempt to install this microwave oven if you cannot find a wall stud. Consult a carpenter or contractor.

Measure and Attach Templates

- 1 Using a plumb line and (metal) measuring tape, find and mark the vertical center line on the back wall of the opening.



- 2 Find and mark one or two points where the studs are on the wall. (Studs are normally 16

12 INSTALLATION

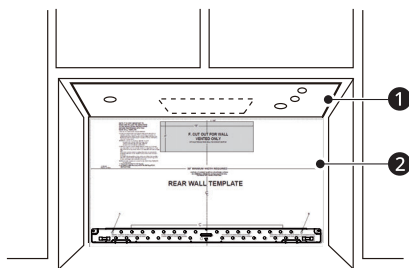
inches apart.) Then measure and mark the stud locations. If you cannot find any wall studs, consult a local building contractor.

- 3 Draw a vertical line on the wall at the center of the 30" wide opening.

NOTE

- Be sure the minimum width is 30 inches.

- 4 Center the rear wall template ② in the space by lining up the plumb line on the wall with the centerline on the template. Then securely tape or tack the rear wall template in place. Make sure the minimum width is 30 inches and that the top of the rear wall template is located a minimum of 30 inches above the cooking surface. Measure the bottom of the upper cabinet frame. Trim edges A, B, and C on the upper cabinet template ① so that the template will fit on the bottom of the upper cabinet. If the upper cabinet has a recessed frame, trim the template so it fits inside the recessed area. If needed, the template can be trimmed inside the printed trim lines, as long as you are able to align the centerline correctly. Align the centerline of the upper cabinet template with the centerline of the rear wall template, then securely tape or tack the upper cabinet template in place.

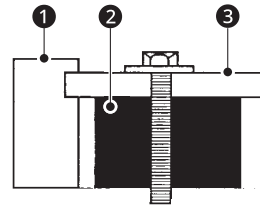


⚠ WARNING

- To avoid risk of personal injury, electric shock or death:
 - Note where electrical outlets and electrical wires are before you drill into the wall.
 - Locate and disconnect power to any electrical circuits that could be affected by installing this oven.
- To avoid risk of personal injury, electric shock or death, cover the edge of the power supply cord hole with the power supply cord bushing.

Drill Holes in Wall and Cabinet

- 1 Drill holes on the circles. If there is a stud, drill a 3/16" hole for lag screws. If there is no stud, drill a 3/4" hole for toggle bolts. Make sure to use at least 1 lag screw in a stud, and 2 toggle screws in the drywall or the plaster.
- 2 Drill a 3/8" hole at points J and K on the upper cabinet template. If the bottom of the upper cabinet is recessed 3/4" or more, you will need 2"x 2" filler blocks ② (not included) to provide additional support for the bolts.

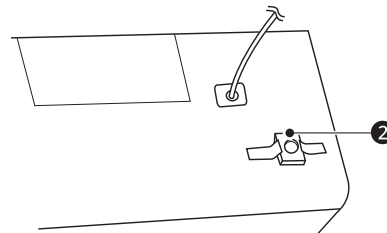


① Cabinet front

③ Cabinet bottom shelf

Mark the center of each filler block and drill a 3/8" diameter hole at the marks.

Align filler blocks ② over the two openings in the top of the microwave oven cabinet and attach to the cabinet with masking tape.



- 3 Cut or drill a 2" diameter hole at the area marked "M power supply cord hole" on the upper cabinet template. If the upper cabinet is metal, you will need to cover the edge of the hole with the power supply cord bushing (supplied) to prevent damage to the cord from the rough metal edge.
- 4 Cut out the venting areas (with the saber saw)
 - Roof-venting: cut out the shaded area marked L on the upper cabinet template.
 - Wall-venting: cut out the shaded area marked F on the rear wall template.
 - Room-venting: go to Step 5: Install the Mounting Plate.

- Complete whichever venting system you have chosen. Use caulking compound to seal the exterior wall or roof opening around the wall cap or roof cap.

Step 5: Install the Mounting Plate

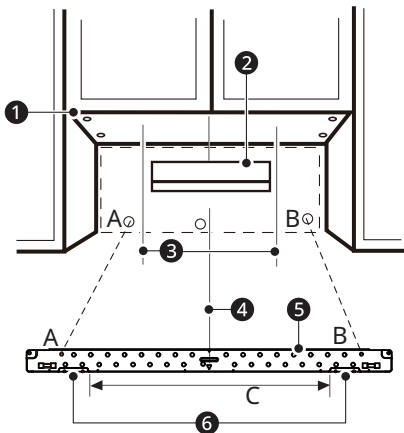
The oven must be connected to at least one wall stud.

- Center the rear wall template in the space by lining up the plumb line on the wall with the centerline on the template. Then securely tape or tack the rear wall template in place. Make sure the minimum width is 30 inches and that the top of the rear wall template is located a minimum of 30 inches above the cooking surface.

NOTE

- If the cabinets are not plumb, adjust the rear wall template to the cabinets. If the front edge of the cabinet is lower than the back edge, adjust the template to be level with the cabinet front.

- Drill holes at points A and B. Drill the third hole inside area C, through one of the bottom holes to match the location of a stud. If there is a stud, drill a 3/16 hole for lag screws. If there is no stud, drill a 5/8 hole for toggle bolts. These holes must be used for mounting. If the holes are not used, the installation will not be secure. The installer must use these holes for proper installation. Use toggle bolts through these holes, unless one of them lines up with a stud. Use a lag screw for studs. Make sure to use at least 1 lag screw in a stud, and 2 toggle bolts in the drywall or the plaster.



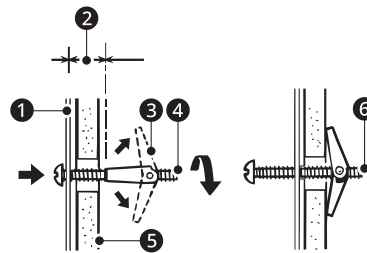
- Minimum 66" from the floor
- For wall - venting only

- Draw lines on studs
- Draw center Line
- Mounting plate
- Support tab

NOTE

- Cut out the shaded area marked F on the rear wall template for wall-venting.

- Remove the template from the rear wall.
- Attach the plate to the wall. To use spring toggle head bolts: Remove the toggle wings from the bolts. Insert the bolts into the mounting plate and replace the spring toggle head to 3/4 of the length past the bolt ends. Insert the spring toggle head into the holes in the wall to mount the plate. You may pull forward on the plate to help in tightening the toggle bolts. Tighten all bolts.



- Space more than wall thickness
- Bolt end

Step 6: Attach the Oven to the Wall

WARNING

- To avoid risk of personal injury or property damage, you will need two people to install this microwave oven.

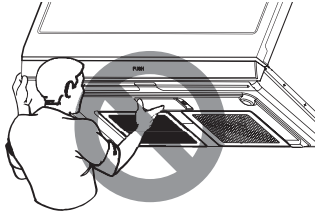
NOTE

- Do not apply force directly to the outside bottom surface of the product. The slide-out vent latch may be damaged if force is applied directly to the center bottom of the product.
- Set the product down on a flat surface only during unpacking, gently set the product onto a flat surface such as a kitchen table or counter.
- Do not lift or support the product by the bottom center face. The product is best handled by the bottom sides near the legs.

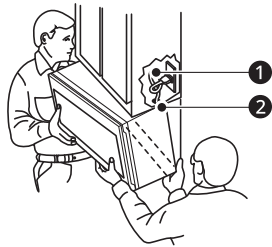
14 INSTALLATION

NOTE

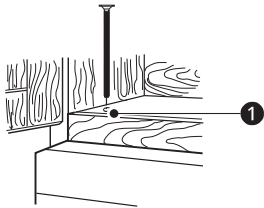
- Do not remove the packing tape on the slide-out vent during installation. Once the product is fully installed, remove the tape and check that the vent easily slides open and closed with a push.



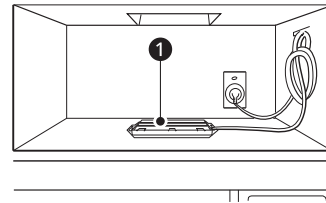
- Carefully lift the microwave oven and hang it on the support tabs at the bottom of the mounting plate. Reaching through the upper cabinet, thread the power supply cord **1** through the power supply cord hole **2** in the bottom of the upper cabinet.



- Rotate the microwave oven upward so the top of the oven is against the bottom of the upper cabinet or cabinet frame.
- Then insert a bolt down through each hole **1** in the upper cabinet bottom. Tighten the bolts until the gap between the upper cabinet and microwave oven is closed.

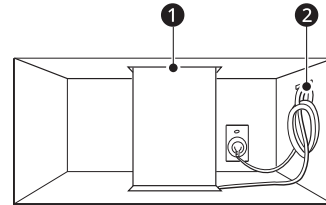


- Roof venting installation: Install the ductwork through the vent opening in the upper cabinet. Use a caulking gun to seal the exterior roof opening around the exhaust cap.



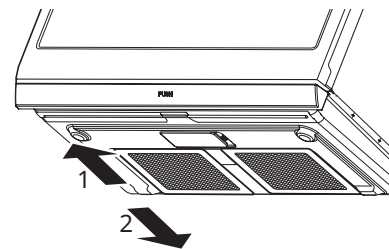
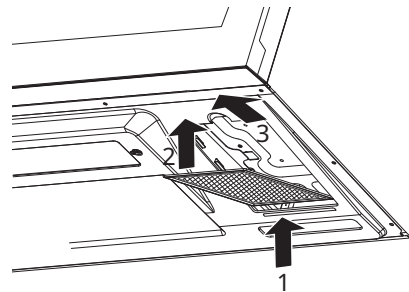
- Damper

- Use the power supply cord clamp **2** to bundle the power supply cord. Install the power supply cord clamp to the inside of the cabinet using a screw.



- Duct

- Grasp the filter screen with one hand holding the ring and the other hand holding the opposite end. Insert the end of the filter screen without the ring into the opening and slide towards the side of the microwave oven. Insert the ring end of the filter screen into the opening and slide the entire screen towards the center of the microwave until the screen is securely in position. Repeat for the other filter screen.



APPENDIX

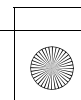
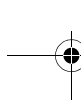
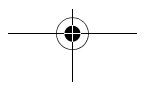
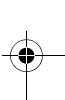
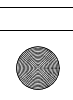
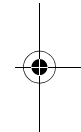
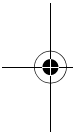
Checking Operation

Before Using the Oven

- 1 Plug in the power supply cord.
- 2 Read your Owner's Manual, and then check the operation of your oven.



16 Memo





MANUEL D'INSTALLATION

FOUR À MICRO-ONDES

Veillez lire attentivement le présent manuel d'installation avant d'installer l'appareil et conservez-le à portée de la main pour le consulter en tout temps.

FRANÇAIS

MVEL213** MVEL212** MVEL203**

www.lg.com

Copyright © 2022 LG Electronics Inc. Tous droits réservés

2

TABLE DES MATIÈRES

3 IMPORTANTES INSTRUCTIONS DE SÉCURITÉ

- 3 LISEZ TOUTES LES CONSIGNES AVANT L'UTILISATION
- 3 AVERTISSEMENT

5 INSTALLATION

- 5 Avant l'installation
- 7 Installation du four à micro-ondes

16 ANNEXE

- 16 Vérification du fonctionnement

IMPORTANTES INSTRUCTIONS DE SÉCURITÉ

LISEZ TOUTES LES CONSIGNES AVANT L'UTILISATION

Messages de sécurité

Il est très important d'assurer votre sécurité et celle des autres.

Nous fournissons de nombreux conseils de sécurité importants dans ce manuel et sur votre appareil. Lisez toujours l'ensemble des messages de sécurité et respectez-les.

Ceci est le symbole d'alerte de sécurité.



Ce symbole vous alerte de dangers potentiels qui peuvent causer la mort ou des blessures. Tous les messages de sécurité seront précédés du symbole d'alerte de sécurité et du terme AVERTISSEMENT ou MISE EN GARDE.

Ces mots signifient :



AVERTISSEMENT

Vous pouvez être tué ou gravement blessé si vous ne suivez pas les consignes.



MISE EN GARDE

Vous pourriez vous blesser ou endommager le produit si vous ne suivez pas les consignes.

Tous les messages de sécurité vous avertissent d'un danger potentiel et vous disent comment réduire le risque de blessure, ainsi que ce qui peut arriver si les instructions ne sont pas suivies.

AVERTISSEMENT

AVERTISSEMENT

- Pour réduire les risques d'explosion, d'incendie, de mort, de décharge électrique, de brûlure ou de blessures lors de l'utilisation de l'appareil, prenez les précautions élémentaires, y compris les suivantes :

Installation

- Cet appareil doit être installé uniquement par du personnel d'entretien qualifié.
- Vous aurez besoin de deux personnes pour installer cet appareil. Il est lourd et pourrait causer des blessures s'il n'est pas manipulé correctement.
- Évitez toute décharge électrique.

Avant de percer le mur, notez l'emplacement des prises électriques et des fils électriques qui pourraient être dissimulés derrière le mur. Vous risquez de recevoir une décharge électrique si la mèche de votre perceuse entre en contact avec des fils électriques.

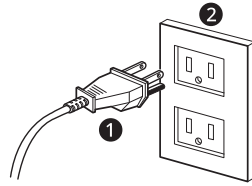
Repérez les circuits électriques qui pourraient être affectés par l'installation de cet appareil et coupez leur alimentation. Si vous ne coupez pas le courant, vous risquez de recevoir une décharge électrique.

- Cet appareil doit être mis à la terre.

En cas de court-circuit électrique, la mise à la terre réduit le risque de décharge électrique, car elle permet au courant électrique de retourner à la terre. Cet appareil est équipé d'un cordon qui comprend un fil de mise à la terre et une fiche de mise à la terre.

4 IMPORTANTES INSTRUCTIONS DE SÉCURITÉ

- Insérez la fiche dans une prise de courant correctement installée et mise à la terre.



- ❶ Fiche (de mise à la terre) à trois broches
 - ❷ Prise de courant correctement polarisée et mise à la terre
- N'utilisez pas de rallonge.
 - Gardez le cordon d'alimentation au sec et évitez de le pincer ou de l'écraser. Le non-respect de cette consigne peut entraîner un risque d'incendie.
 - Ne retirez en aucun cas la broche de mise à la terre du cordon d'alimentation.
 - Une utilisation inadéquate de la fiche de mise à la terre peut causer une décharge électrique et/ou un incendie.
Si vous n'êtes pas sûr que le four est correctement mis à la terre, ou si vous ne comprenez pas bien les instructions de mise à la terre, consultez un électricien qualifié.
 - N'utilisez pas de fusible dans le circuit neutre ou de mise à la terre.
 - Une mise à la terre incorrecte pourrait provoquer une décharge électrique, un incendie ou d'autres blessures.

Fonctionnement

- Si vous ne respectez pas les instructions d'utilisation du four à micro-ondes, vous risquez d'être exposé à une trop grande quantité d'énergie micro-ondes.
- N'essayez pas de faire fonctionner le four à micro-ondes avec la porte ouverte.
- N'essayez pas de modifier ou d'annuler les verrouillages de sécurité.
- Ne placez pas d'objets entre la façade du four à micro-ondes et la porte.
- Ne laissez pas de la saleté ni de résidus de nettoyant s'accumuler sur les surfaces plates autour de la porte du four à micro-ondes.
- Ne faites pas fonctionner le four à micro-ondes s'il est endommagé.
- La porte du four à micro-ondes doit être fermée correctement pour que celui-ci fonctionne de façon sécuritaire.
- N'utilisez pas le four à micro-ondes si :
 - la porte est déformée.
 - les charnières ou les loquets sont cassés ou desserrés.
 - les joints de la porte, les surfaces d'étanchéité ou le verre sont cassés.
- N'essayez pas de régler ou de réparer le four vous-même. Il faut le faire régler et réparer par un technicien qualifié, qui pourra vérifier qu'il n'y a pas de fuite de micro-ondes après avoir réparé le four.

GARDEZ CES CONSIGNES

INSTALLATION

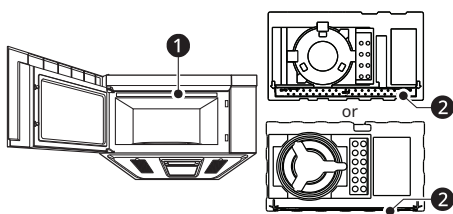
Avant l'installation

Avant de commencer

Assurez-vous de lire les consignes de sécurité suivantes.

Lisez le manuel dans son intégralité avant de commencer. La plaque de numéro de modèle **1** est située sur la façade du four.

La plaque de montage **2** est située dans la partie supérieure de l'emballage.



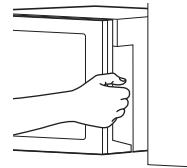
REMARQUE

- L'apparence de la grille d'aération varie selon le modèle.

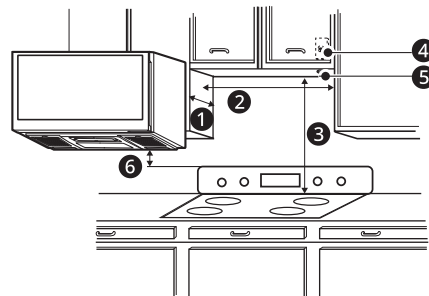
Assurez-vous que l'emplacement est suffisamment grand pour accueillir l'appareil et résistant pour supporter son poids.

- Installez le four contre un mur vertical et plat afin que son poids soit supporté par le mur. Le mur doit être fabriqué de montants de bois d'un minimum de 2 po x 4 po et d'une cloison sèche ou de plâtre d'un minimum de 3/8 po.
- Fixez les deux tire-fonds qui soutiennent le four à un montant vertical de 2 po x 4 po.
- N'installez pas le four à micro-ondes dans un îlot de cuisine.
- Assurez-vous que l'armoire supérieure et le mur arrière peuvent supporter 150 lb en plus du poids de tout ce que vous pourriez placer à l'intérieur du four ou de l'armoire supérieure.
- Placez le four loin des endroits où les courants d'air sont forts, comme près des fenêtres, des portes et des grandes bouches de chaleur.
- Le four à micro-ondes comporte une poignée encastrée sur le côté droit. Pour accéder à la poignée et permettre à la porte de s'ouvrir, installez le produit en laissant un espace suffisant sur les côtés. Ne bloquez pas la zone de la poignée du côté droit en l'installant contre un mur ou une armoire.

(Modèles : MVEL213**, MVEL203**)



- Assurez-vous qu'il y a suffisamment d'espace (dégagement vertical et horizontal minimum).



- 1 Maximum de 13 po : profondeur de l'armoire
- 2 Minimum de 30 po : largeur d'ouverture de l'armoire
- 3 Minimum de 30 po : dégagement entre le bas de l'armoire et la surface de cuisson ou le comptoir avant l'installation. (Utilisez les gabarits inclus dans les instructions d'installation).
- 4 Prise de courant mise à la terre (à l'intérieur de l'armoire supérieure)
- 5 Trou pour le cordon d'alimentation
- 6 Minimum de 2 po : dégagement entre le haut du panneau de commande de la cuisinière et le bas du four à micro-ondes (modèle avec hotte coulissante).

AVERTISSEMENT

- Si vous n'installez pas le four conformément aux instructions, vous risquez de vous blesser ou de causer des dommages matériels.
- Si votre cuisinière est dotée d'une surface de cuisson avec commandes frontales, débranchez la cuisinière avant de recouvrir la surface de cuisson pour éviter tout risque d'incendie et de dommages si les boutons sont activés accidentellement pendant l'installation du four à micro-ondes avec hotte intégrée.

6 INSTALLATION

⚠ AVERTISSEMENT

- Le produit est lourd. Soyez au moins deux personnes pour le soulever ou l'installer afin d'éviter toute blessure ou tout dommage au produit.

⚠ MISE EN GARDE

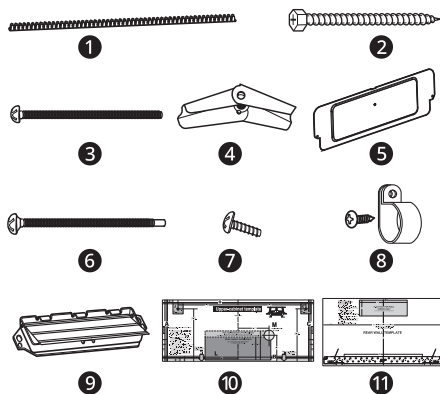
- Avant de commencer à installer le four à micro-ondes, placez un morceau du carton ou un autre matériau lourd (une couverture) sur la surface de cuisson ou le comptoir pour le protéger. N'utilisez pas de couverture en plastique. Le fait de ne pas protéger ces surfaces pourrait entraîner des dommages matériels.

Pièces

Pièces incluses

REMARQUE

- Selon vos besoins en matière de ventilation, il se peut que vous n'utilisiez pas toutes ces pièces.



- Manchon de serrage du cordon d'alimentation (1) : pour le trou du cordon dans une armoire supérieure en métal
- Tire-fonds de 1/4 po x 2 po (2) : pour les trous de montants muraux
- Boulons à ailettes de 1/4 po x 3 po (2) : pour les trous dans la cloison sèche
- Barrettes articulées (2) : pour les boulons à ailettes
- Plaque de finition (1) : pour l'installation du système de ventilation de la pièce

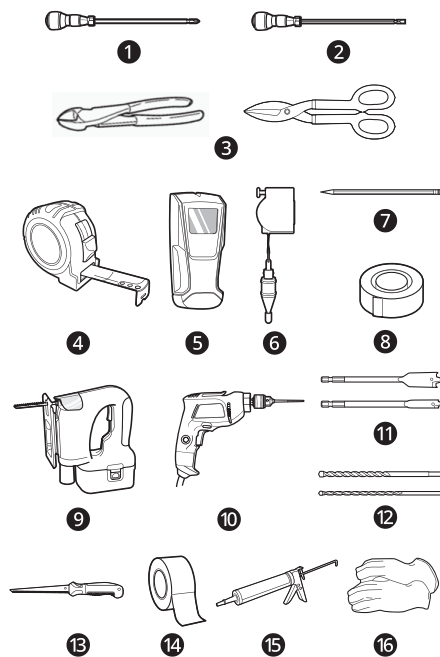
- Boulons de 1/4 po x 3 po (2) : pour fixer l'armoire supérieure
- Vis taraudeuses (3) : pour fixer le raccord de conduit du registre
- Pince pour cordon d'alimentation (1) et vis de montage de couleur sombre (1) : pour maintenir le cordon d'alimentation en place
- Registre anti-refoulement : Les deux pièces doivent être assemblées comme il est indiqué (pour installer le système de ventilation sur le toit ou au mur, pas pour installer le système de ventilation de la pièce).
- Gabarit de l'armoire supérieure (1)
- Gabarit du mur arrière (1)

REMARQUE

- Vous devez installer au moins deux tire-fonds dans un montant de 2 po x 4 po et quatre boulons d'ancrage dans le mur. La zone de montage doit respecter la norme de poids de 150 lb.

Outils et matériaux

Vous aurez besoin des outils et matériaux suivants pour l'installation :



- Tournevis Phillips (pour les vis)
- Tournevis à tête plate (pour les boulons à ailettes)

- 3 Petite pince à tranchant latéral ou cisaille de ferblantier
- 4 Ruban à mesurer (préférentiellement en métal)
- 5 Détecteur de montent
- 6 Fil à plomb
- 7 Crayon
- 8 Ruban adhésif transparent (pour fixer les gabarits au mur)
- 9 Scie sauteuse (pour le découpage de trous d'aération pour la ventilation du toit ou du mur)
- 10 Perceuse électrique
- 11 Mèches à bois de 3/8 po et 3/4 po
- 12 Mèches de 1/2 po et 3/16 po
- 13 Scie à guichet (pour le trou du cordon d'alimentation)
- 14 Ruban à conduits
- 15 Pistolet à calfeutrer et produit de calfeutrage
- 16 Gants

REMARQUE

- Si vous avez des murs en briques ou en maçonnerie, vous aurez besoin de matériel et d'outils spéciaux.
- Les conduits dont vous avez besoin pour l'installation ne sont pas inclus. Tous les couvre-joints muraux et de toit doivent être équipés d'un registre anti-refoulement (illustré dans la section Pièces).
- Portez des gants appropriés pour éviter de vous blesser les mains.

Installation du four à micro-ondes

Étape 1 : Préparer le branchement électrique

- 1 Repérez la prise électrique mise à la terre 2 dans l'armoire supérieure de ce four 1.

REMARQUE

- La prise doit se trouver sur un circuit dédié au four à micro-ondes (120 V, 60 Hz., C.A.

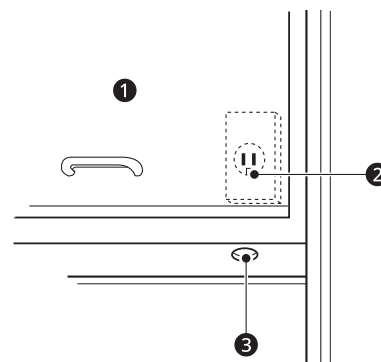
uniquement) avec une alimentation électrique à fusible de 15 ou 20 A.

- Important : Si vous ne disposez pas d'une prise murale appropriée, vous DEVEZ en faire installer une par un électricien qualifié.

- 2 Vous découperez le trou 3 pour le cordon d'alimentation plus tard, lorsque vous préparerez le mur et l'armoire supérieure à l'étape 4.

REMARQUE

- N'utilisez pas de rallonge. Gardez le cordon d'alimentation au sec et évitez de le pincer ou de l'écraser.



AVERTISSEMENT

- Évitez toute décharge électrique. Cet appareil doit être mis à la terre.
- Une mise à la terre incorrecte pourrait provoquer une décharge électrique ou d'autres blessures.

Ne retirez en aucun cas la broche de mise à la terre du cordon d'alimentation.

Étape 2 : Préparer le système de ventilation

AVERTISSEMENT

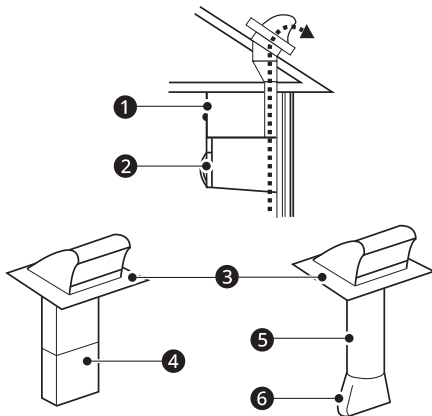
- Ce four doit être correctement ventilé.

Vous pouvez ventiler vos conduits de l'une des trois façons suivantes. Ne ventilez pas dans une cavité murale, un grenier ou une zone inutilisée.

8 INSTALLATION

Ventilation sur le toit

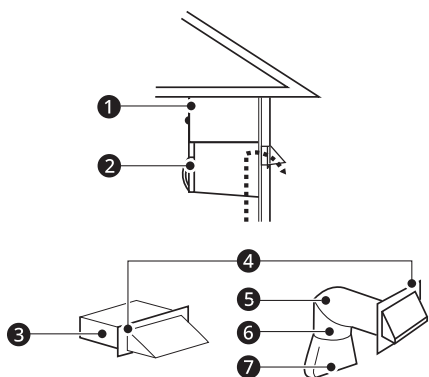
Le four est situé sur un mur extérieur, près du toit : Conduit de 3 ¼ po x 10 po ④ ou conduit rond d'un minimum de 6 po de diamètre ⑤.



- ① Armoire
- ② Four
- ③ Couvre-joint de toit
- ④ Conduit de 3 ¼ po x 10 po
- ⑤ Conduit rond d'un minimum de 6 po de diamètre
- ⑥ Transition entre un conduit rond de 3 ¼ po x 10 po et un conduit rond de 6 po.

Ventilation murale

Le four est situé sur un mur extérieur de votre maison : Conduit de 3 ¼ po x 10 po ③ ou conduit rond d'un minimum de 6 po de diamètre ⑥.



- ① Armoire
- ② Four
- ③ Conduit de 3 ¼ po x 10 po
- ④ Couvre-joint mural

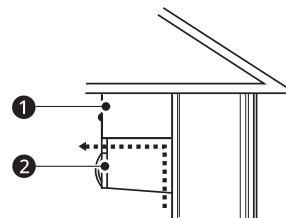
- ⑤ Coude
- ⑥ Conduit rond d'un minimum de 6 po de diamètre
- ⑦ Transition entre un conduit rond de 3 ¼ po x 10 po et un conduit rond de 6 po.

REMARQUE

- Si vous choisissez la méthode d'évacuation par l'arrière (évacuation sur le toit ou murale), assurez-vous que le dégagement dans le mur est suffisant pour le conduit d'évacuation.

Ventilation de la pièce

Le four est situé sur un mur intérieur de votre maison.



- ① Armoire
- ② Four

Lors de l'installation du système de ventilation

- Pour ventiler efficacement votre four, réduisez au minimum la longueur des conduits et le nombre de coudes. Reportez-vous aux exemples dans la section suivante.
- Veillez à ce que la taille des conduits reste la même.
- N'installez pas deux coudes ensemble.
- Utilisez du ruban adhésif pour sceller tous les joints du système de conduits.
- Utilisez du produit de calfeutrage pour sceller l'ouverture du mur extérieur ou du toit autour du couvre-joint.
- Après l'installation, vérifiez l'ouverture et le fonctionnement de la hotte extérieure.
- Pour connaître l'ouverture et la taille de la hotte extérieure, reportez-vous au gabarit de l'armoire supérieure ou au gabarit du mur arrière.

REMARQUE

- Les conduits dont vous avez besoin pour la ventilation extérieure ne sont pas fournis avec

votre four. Reportez-vous aux raccords standard pour les conduits.

Raccords standard pour les conduits



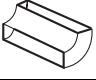

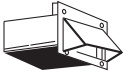

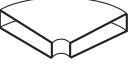
Si le conduit existant est rond, vous devez utiliser un adaptateur rectangulaire à rond, avec un conduit d'extension rectangulaire de 3 po installé entre l'assemblage du volet et l'adaptateur pour empêcher le volet d'évacuation de se coincer.

Longueur des conduits

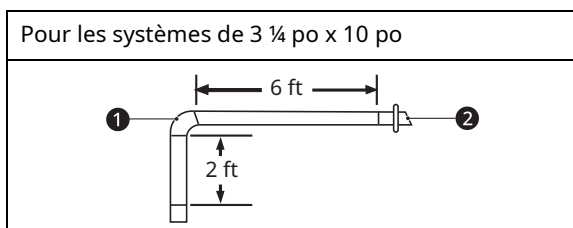
La longueur totale du système de conduits, y compris les conduits droits, les coudes, les transitions et les couvre-joints muraux ou de toit, ne doit pas dépasser 140 pieds.

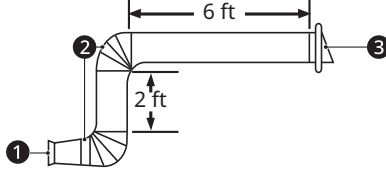
Pour une meilleure performance, n'utilisez pas plus de trois coudes à 90 degrés et gardez la longueur aussi courte que possible.

Vous trouverez ci-dessous les raccords standard et leur longueur équivalente en pieds.

	Transition : 3 ¼ po x 10 po x 6 po = 5 pi
	Couvre-joint de toit : 3 ¼ po x 10 po = 24 pi
	Coude à 90° : 3 ¼ po x 10 po = 25 pi
	Coude à 90° = 10 pi
	Couvre-joint mural : 3 ¼ po x 10 po = 40 pi
	Coude à 45° = 5 pi
	Coude plat : 3 ¼ po x 10 po = 10 pi

Pour calculer la longueur équivalente de chaque pièce de conduit utilisée, voir les exemples ci-dessous.



Coude à 90° de ¼ po x 10 po ① (1) Couvre-joint mural ② (1) Conduit droit (8 pi) Longueur totale	25 pi 40 pi 8 pi 73 pi
Pour les systèmes ronds de 6 po	
	
Transition (1) Coudes à 90° ② (2) Couvre-joint mural ③ (1) Conduit droit (8 pi) Longueur totale	5 pi 20 pi 40 pi 8 pi 73 pi

Étape 3 : Préparer le ventilateur d'évacuation

Votre four à micro-ondes est expédié avec le ventilateur assemblé pour la ventilation sur le toit. Vous devez ajuster le ventilateur si vous souhaitez une installation de ventilation murale ou de ventilation de pièce.

⚠ AVERTISSEMENT

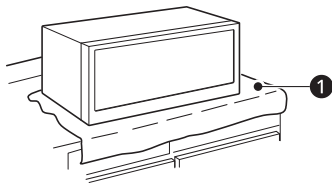
- Risque de décharge électrique! Débranchez l'appareil avant de travailler dessus.
- Ne tirez pas et n'étirez pas le câblage du ventilateur. Le fait de tirer et d'étirer le câblage du ventilateur pourrait entraîner une décharge électrique.
- Pour éviter tout risque de dommages matériels, débranchez le four à micro-ondes ou coupez l'alimentation à la source en retirant le fusible ou en déclenchant le disjoncteur.
- Pour éviter tout risque de blessure corporelle, portez des gants de protection lorsque vous manipulez la plaque de montage.

Installation

- 1 Retirez tous les matériaux et pièces d'expédition de l'intérieur du four à micro-ondes. Mettez-les de côté pour une utilisation ultérieure.
- 2 Recouvrez le comptoir ou la surface de cuisson d'un revêtement épais et protecteur pour le protéger des dommages et de la

10 INSTALLATION

saleté. Si votre cuisinière est dotée d'une surface de cuisson avec commandes frontales, débranchez la cuisinière avant de recouvrir la surface de cuisson pour éviter tout risque d'incendie et de dommages si les boutons sont activés accidentellement pendant l'installation du four à micro-ondes avec hotte intégrée.



1 Couverture, carton ou autre revêtement

REMARQUE

- Si vous avez une cuisinière autoportante, débranchez-la, déplacez-la sur un morceau de carton ou de panneau dur et éloignez-la du mur, afin de pouvoir vous rapprocher de l'armoire supérieure et du mur arrière pour faciliter les mesures et le perçage.

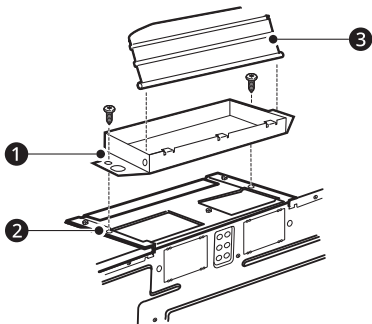
3 Localisez l'adaptateur d'évacuation, les filtres à graisse et la quincaillerie.

4 À ce stade, retirez le ruban adhésif (s'il y en a un) sur l'adaptateur d'évacuation, les filtres à graisse et le cordon d'alimentation.

Installation du système de ventilation sur le toit

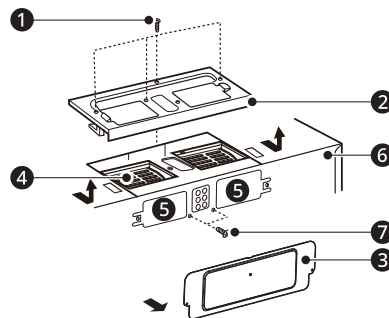
Lors de l'expédition, ce four est assemblé pour une ventilation sur le toit.

1 Insérez les languettes de chaque côté du clapet dans les trous situés à l'arrière, à l'intérieur de l'adaptateur. Fixez l'adaptateur d'évacuation 1 à la plaque du ventilateur 2 à l'aide des deux vis taraudeuses fournies. Assurez-vous que le clapet 3 oscille librement.



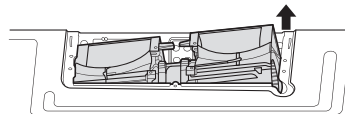
Installation du système de ventilation mural

1 Retirez une ou plusieurs vis de fixation de la plaque du ventilateur 1, puis retirez la plaque du ventilateur 2. Retirez la plaque de recouvrement 3 et une ou deux vis de montage de l'unité de ventilation 7.

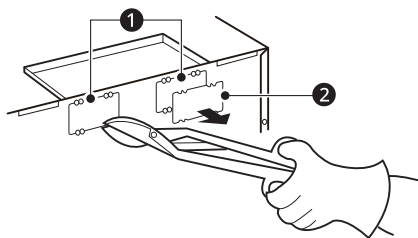


4 Unité de ventilation
5 Alvéoles défonçables
6 Plaque arrière

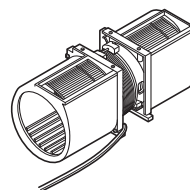
2 Soulevez avec précaution l'unité de ventilation pour la sortir du four à micro-ondes.



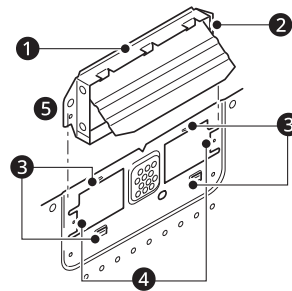
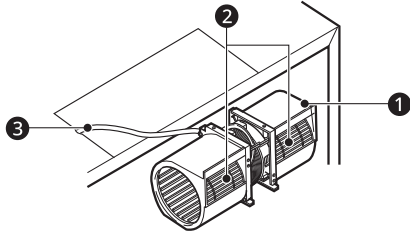
3 Utilisez des tranchants ou des cisailles de ferblantier pour découper et retirer les alvéoles défonçables 2 de la plaque arrière 1. Veillez à ne pas déformer la plaque arrière. Jetez les alvéoles défonçables.



4 Pour éviter de pincer le fil du ventilateur, assurez-vous qu'il est acheminé sous et entre les deux orifices d'évacuation lorsqu'ils sont tournés.

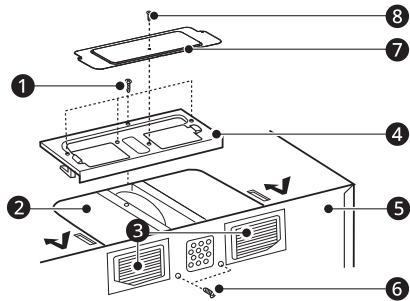


- 5** Faites pivoter et réinstallez l'unité de ventilation **1** de sorte que les orifices d'évacuation **2** soient orientés vers l'arrière de l'armoire et soient alignés avec les alvéoles défonçables arrière. Lorsque vous insérez l'unité de ventilation, le fil du ventilateur **3** doit être acheminé comme il est indiqué.



- 2** Clapet de refoulement (côté charnière vers le haut)
- 3** Guides
- 5** Glisser le raccord d'évacuation dans les guides du panneau arrière.

- 6** Fixez la plaque du ventilateur **4** au four à micro-ondes de sorte que les orifices d'évacuation de l'unité de ventilation **3** et l'ouverture de la plaque du ventilateur soient alignés. Fixez une ou deux vis de montage de l'unité de ventilation **6**, puis une ou plusieurs vis de montage de la plaque du ventilateur **1**. Fixez la plaque de recouvrement **7** sur la plaque du ventilateur à l'aide d'une vis **8**.

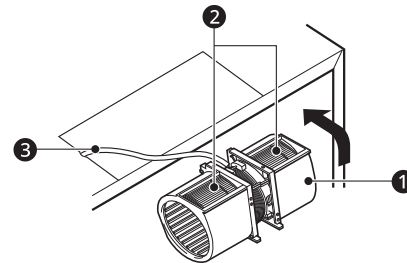


- 2** Unité de ventilation
- 5** Plaque arrière

- 7** Insérez les languettes de chaque côté du clapet dans les trous situés à l'arrière, à l'intérieur de l'adaptateur. Fixez l'adaptateur d'évacuation **1** sur le côté de la paroi de la plaque arrière. Poussez fermement jusqu'à ce qu'il dépasse les languettes de verrouillage supérieures **3** et s'insère dans les languettes de verrouillage inférieures **3**. Assurez-vous que la charnière du clapet est en haut et que le clapet oscille librement.

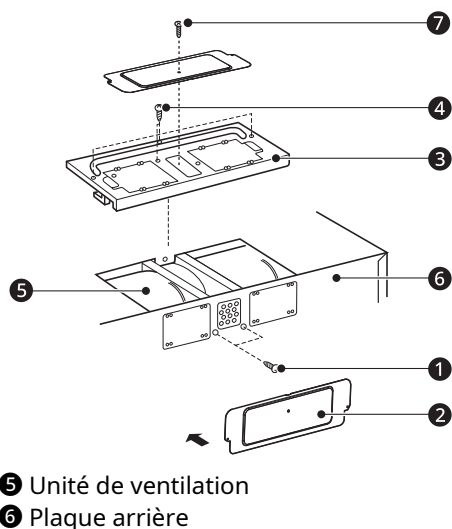
Installation du système de ventilation dans la pièce

- 1** Suivez les étapes 1 et 2 de la section Installation du système de ventilation mural.
- 2** Faites pivoter et réinstallez l'unité de ventilation **1** de sorte que les orifices d'évacuation **2** soient orientés vers l'avant de l'armoire. Lorsque vous insérez l'unité de ventilation, le fil du ventilateur **3** doit être acheminé comme il est indiqué.



- 3** Fixez une ou deux vis de montage de l'unité de ventilation **1**. Fixez la plaque de recouvrement **2** à l'arrière. Fixez la plaque du ventilateur **3** au four à micro-ondes. Fixez une ou plusieurs vis de montage de la plaque du ventilateur **4**. Fixez la plaque de recouvrement **2** sur la plaque du ventilateur et vissez la vis **7**.

12 INSTALLATION



⚠ AVERTISSEMENT

- Risque d'incendie! Installez correctement le ventilateur avant de l'utiliser.

Lorsque vous changez la position du ventilateur pour une ventilation murale ou une ventilation dans la pièce :

- Alignez correctement les orifices du ventilateur et les alvéoles défonçables de la plaque du ventilateur.
- Les orifices du ventilateur doivent être complètement exposés à l'extérieur.
- Après l'installation, vérifiez le chemin de ventilation de l'air. Reportez-vous à l'étape 2 pour choisir la ventilation appropriée.

Une installation incorrecte peut entraîner des problèmes tels que :

- Impossibilité d'assembler correctement la plaque du ventilateur ou le moteur de ventilation
- Bruit anormal pendant le fonctionnement du produit
- Ventilation faible
- Surchauffe du produit et possibilité de bris du produit ou d'incendie

Étape 4 : Préparer le mur et l'armoire supérieure

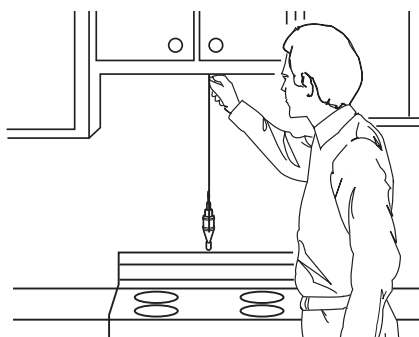
⚠ AVERTISSEMENT

- Pour éviter toute blessure ou tout dommage matériel, n'essayez pas d'installer ce four à micro-ondes si vous ne trouvez pas de montant

dans le mur. Consultez un menuisier ou un entrepreneur.

Mesurez et fixez les gabarits

- 1 À l'aide d'un fil à plomb et d'un ruban à mesurer (métallique), trouvez et marquez la ligne centrale verticale sur le mur arrière où se trouve l'ouverture.



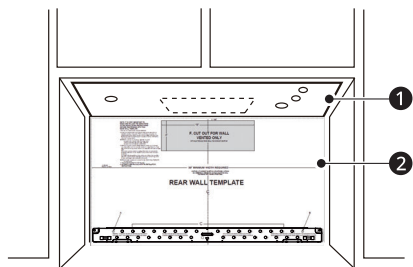
- 2 Trouvez et marquez un ou deux points où se trouvent les montants sur le mur. (Les montants sont normalement espacés de 16 pouces.) Mesurez et marquez ensuite l'emplacement des montants. Si vous ne trouvez pas de montants sur le mur, consultez un entrepreneur en bâtiment local.
- 3 Tracez une ligne verticale sur le mur au centre de l'ouverture de 30 po de large.

REMARQUE

- Assurez-vous que la largeur minimale est de 30 pouces.

- 4 Centrez le gabarit du mur arrière ② dans l'espace en alignant le fil à plomb sur le mur avec la ligne centrale sur le gabarit. Ensuite, fixez solidement le gabarit du mur arrière à l'aide de ruban adhésif ou d'une punaise. Assurez-vous que la largeur minimale est de 30 pouces et que le haut du gabarit du mur arrière est situé à un minimum de 30 pouces au-dessus de la surface de cuisson. Mesurez le bas du cadre de l'armoire supérieure. Coupez les bords A, B et C du gabarit de l'armoire supérieure ① pour que le gabarit s'adapte au fond de l'armoire supérieure. Si l'armoire supérieure a un cadre en retrait, coupez le gabarit pour qu'il s'insère à l'intérieur de la zone en retrait. Si nécessaire, le gabarit peut être coupé à l'intérieur des lignes de coupe imprimées, tant

que vous êtes capable d'aligner correctement la ligne centrale. Alignez la ligne centrale du gabarit de l'armoire supérieure avec la ligne centrale du gabarit du mur arrière, puis fixez le gabarit de l'armoire supérieure à l'aide de ruban adhésif ou d'une punaise.

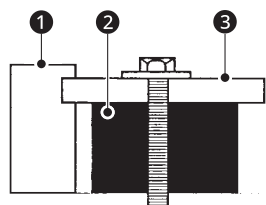


⚠ AVERTISSEMENT

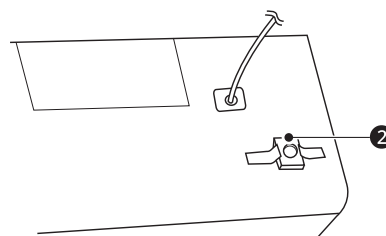
- Pour éviter tout risque de blessure, de décharge électrique ou de mort :
 - Notez l'emplacement des prises électriques et des fils électriques avant de percer le mur.
 - Localisez et coupez l'alimentation de tout circuit électrique qui pourrait être affecté par l'installation de ce four.
- Pour éviter tout risque de blessure, de décharge électrique ou de mort, couvrez le bord du trou du cordon d'alimentation avec la douille du cordon d'alimentation.

Perçage des trous dans le mur et l'armoire

- 1 Percez des trous sur les cercles. S'il y a un montant, percez un trou de 3/16 po pour les tire-fonds. S'il n'y a pas de montant, percez un trou de 3/4 po pour les boulons à ailettes. Veillez à utiliser au moins un tire-fond dans un montant et deux vis à ailettes dans la cloison sèche ou le plâtre.
- 2 Percez un trou de 3/8 po aux points J et K du gabarit de l'armoire supérieure. Si le fond de l'armoire supérieure est en retrait de 3/4 po ou plus, vous aurez besoin de blocs de remplissage de 2 po x 2 po ② (non inclus) pour fournir un support supplémentaire aux boulons.



- ① Façade de l'armoire
- ③ Tablette inférieure de l'armoire
Marquez le centre de chaque bloc de remplissage et percez un trou de 3/8 po de diamètre sur les marques.
Alignez les blocs de remplissage ② sur les deux ouvertures du haut de l'armoire du four à micro-ondes et fixez-les à l'armoire avec du ruban-cache.



- 3 Coupez ou percez un trou de 2 po de diamètre à l'endroit marqué « Trou pour cordon d'alimentation M » sur le gabarit de l'armoire supérieure. Si l'armoire supérieure est en métal, vous devrez recouvrir le bord du trou avec la douille du cordon d'alimentation (fournie) pour éviter que le cordon ne soit endommagé par le bord métallique rugueux.
- 4 Découpez les zones de ventilation (avec la scie sauteuse)
 - Ventilation sur le toit : découpez la zone ombrée marquée d'un L sur le gabarit de l'armoire supérieure.
 - Ventilation murale : découpez la zone ombragée marquée d'un F sur le gabarit du mur arrière.
 - Ventilation de la pièce : passez à l'étape 5 : Installation de la plaque de montage.
- 5 Complétez l'installation du système de ventilation que vous avez choisi. Utilisez un produit de calfeutrage pour sceller l'ouverture du mur extérieur ou du toit autour du couvre-joint mural ou du couvre-joint du toit.

Étape 5 : Installer la plaque de montage

Le four doit être fixé à au moins un montant mural.

- 1 Centrez le gabarit du mur arrière dans l'espace en alignant le fil à plomb du mur avec la ligne centrale du gabarit. Ensuite, fixez solidement le gabarit du mur arrière à l'aide

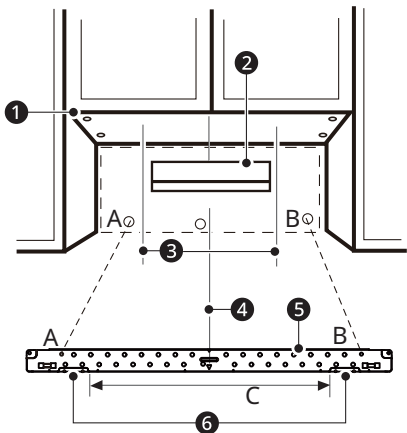
14 INSTALLATION

de ruban adhésif ou d'une punaise. Assurez-vous que la largeur minimale est de 30 pouces et que le haut du gabarit du mur arrière est situé à un minimum de 30 pouces au-dessus de la surface de cuisson.

REMARQUE

- Si les armoires ne sont pas d'aplomb, ajustez le gabarit du mur arrière aux armoires. Si le bord avant de l'armoire est plus bas que le bord arrière, ajustez le gabarit pour qu'il soit de niveau avec l'avant de l'armoire.

- 2** Percez des trous aux points A et B. Percez le troisième trou à l'intérieur de la zone C, à travers l'un des trous du bas pour correspondre à l'emplacement d'un montant. S'il y a un montant, percez un trou de 3/16 po de diamètre pour les tire-fonds. S'il n'y a pas de montant, percez un trou de 5/8 po de diamètre pour les boulons à ailettes. Ces trous doivent être utilisés pour le montage. Si les trous ne sont pas utilisés, l'installation ne sera pas sécurisée. L'installateur doit utiliser ces trous pour une installation correcte. Utilisez des boulons à ailettes dans ces trous, sauf si l'un d'eux est aligné avec un montant. Utilisez un tire-fond pour les montants. Veillez à utiliser au moins un tire-fond dans un montant et deux boulons à ailettes dans la cloison sèche ou le plâtre.

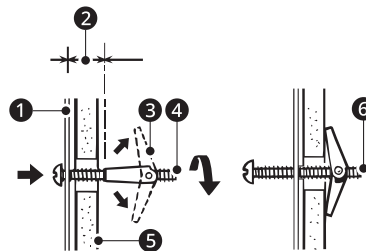


- 1 Minimum de 66 po à partir du plancher
- 2 Pour la ventilation murale seulement
- 3 Tracez des lignes sur les montants.
- 4 Tracez la ligne centrale.
- 5 Plaque de montage
- 6 Attache de support

REMARQUE

- Découpez la zone ombragée marquée d'un F sur le gabarit du mur arrière pour la ventilation murale.

- 3** Retirez le gabarit du mur arrière.
- 4** Fixez la plaque au mur **5**. Pour utiliser des boulons à ailettes **4** : retirez les ailettes **3** des boulons. Insérez les boulons dans la plaque de montage **1** et replacez la barrette articulée aux 3/4 de la longueur du boulon. Insérez la barrette articulée dans les trous du mur pour installer la plaque. Vous pouvez tirer vers l'avant sur la plaque pour aider à serrer les boulons à ailettes. Serrez tous les boulons.



- 2 Laissez un espace plus grand que l'épaisseur du mur.
- 6 Extrémité du boulon

Étape 6 : Installer le four au mur

⚠ AVERTISSEMENT

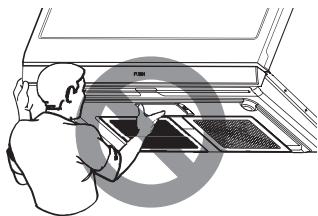
- Pour éviter tout risque de blessure ou de dommage matériel, vous aurez besoin de deux personnes pour installer ce four à micro-ondes.

REMARQUE

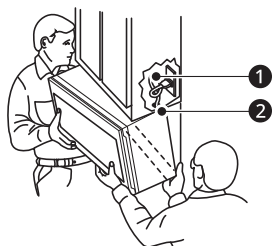
- N'appliquez pas de force directement sur la surface inférieure extérieure du produit. Le loquet de l'évent coulissant peut être endommagé si une force est appliquée directement sur la partie centrale inférieure du produit.
- Posez le produit sur une surface plane uniquement lors du déballage; posez délicatement le produit sur une surface plane telle qu'une table de cuisine ou un comptoir.
- Ne soulevez pas le produit par la surface centrale inférieure. Il est préférable de

manipuler le produit par les côtés inférieurs, près des pieds.

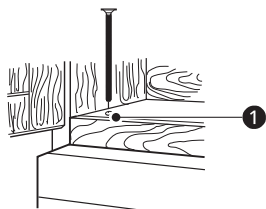
- Ne retirez pas le ruban d'emballage de l'évent coulissant pendant l'installation. Une fois le produit entièrement installé, retirez le ruban adhésif et vérifiez que l'évent s'ouvre et se ferme facilement en le poussant.



- 1 Soulevez avec précaution le four à micro-ondes et suspendez-le aux attaches de support situées au bas de la plaque de montage. En passant par l'armoire supérieure, faites passer le cordon d'alimentation ① dans le trou pour cordon d'alimentation ② au bas de l'armoire supérieure.

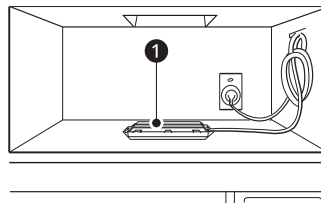


- 2 Faites pivoter le four à micro-ondes vers le haut de façon à ce que le haut du four soit contre le fond de l'armoire supérieure ou du cadre de l'armoire.
- 3 Insérez ensuite un boulon dans chaque trou ① du fond de l'armoire supérieure. Serrez les boulons jusqu'à ce que l'espace entre l'armoire supérieure et le four à micro-ondes soit fermé.



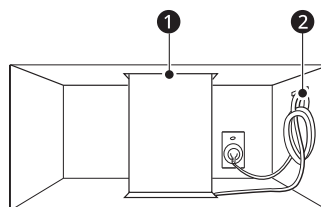
- 4 Installation de la ventilation pour toit : Installez le conduit en passant par l'ouverture de ventilation de l'armoire supérieure. Utilisez un pistolet à calfeutrer pour sceller

l'ouverture extérieure du toit autour du capuchon d'évacuation.



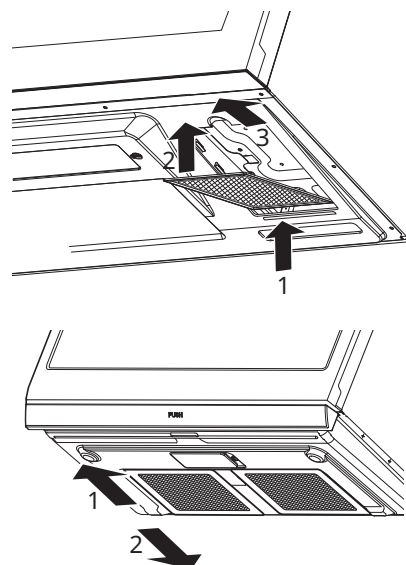
- ① Registre

- 5 Utilisez la pince pour cordon d'alimentation ② pour regrouper le cordon d'alimentation. Installez la pince pour cordon d'alimentation à l'intérieur de l'armoire à l'aide d'une vis.



- ① Conduit

- 6 Saisissez le filtre avec une main tenant l'anneau et l'autre main tenant l'extrémité opposée. Insérez l'extrémité du filtre sans l'anneau dans l'ouverture et faites-le glisser vers le côté du four à micro-ondes. Insérez l'extrémité de l'anneau du filtre dans l'ouverture et faites glisser l'ensemble du filtre vers le centre du four à micro-ondes jusqu'à ce que le filtre soit bien en place. Répétez l'opération pour l'autre filtre.



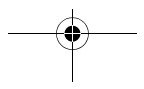
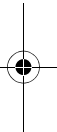
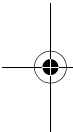
16 ANNEXE

ANNEXE

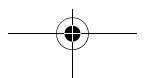
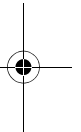
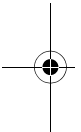
Vérification du fonctionnement

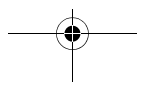
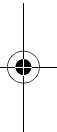
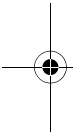
Avant d'utiliser le four

- 1** Branchez le cordon d'alimentation.
- 2** Lisez le manuel d'utilisation, puis vérifiez le fonctionnement de votre four.



18 AIDE-MÉMOIRE







LG Customer Information Center

1-800-243-0000 USA

1-888-542-2623 CANADA

Register your product Online!

www.lg.com