

## Wine Cellar

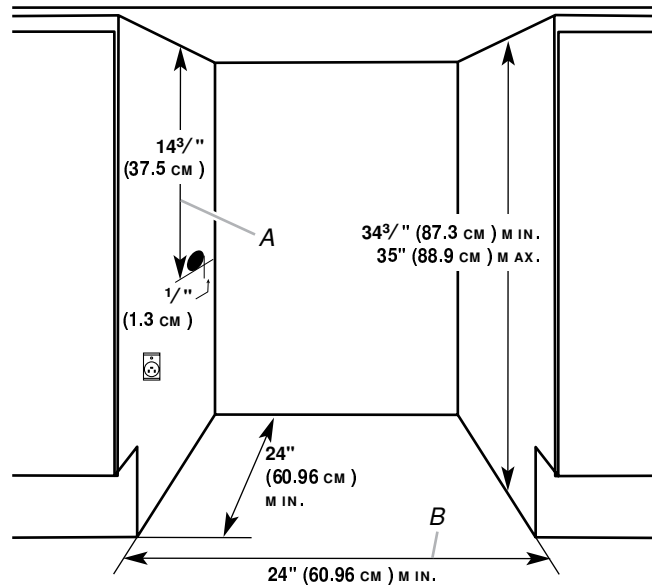
### PRODUCT MODEL NUMBERS

KUWL204EPA KUWR204EPA

**ELECTRICAL:** A 115 volt, 60 Hz., AC only, 15- or 20-amp fused, grounded electrical supply is required. It is recommended that a separate circuit serving only your wine cellar be provided. Use an outlet that cannot be turned off by a switch. Do not use an extension cord.

**NOTE:** Before performing any type of installation, cleaning, or removing a light bulb, unplug wine cellar or disconnect power.

### OPENING DIMENSIONS



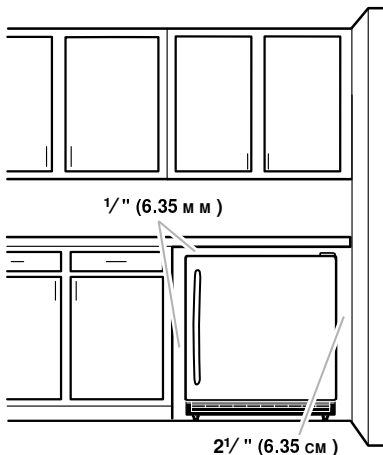
A. 14<sup>3</sup>/<sub>8</sub>" (37.5 cm) utility opening  
B. 24" (60.96 cm) minimum opening width

Height dimensions are shown with the leveling legs extended to the minimum height.

**NOTE:** When leveling legs are fully extended, add <sup>5</sup>/<sub>8</sub>" (15 mm) to the height dimensions.

If the floor of the opening is not level with the kitchen floor, shim the opening to make it level with the kitchen floor.

### LOCATION REQUIREMENTS



To ensure proper ventilation for your wine cellar, allow for a <sup>1</sup>/<sub>8</sub>" (6.35 mm) space on each side and at the top. When installing your wine cellar next to a fixed wall, leave 2<sup>1</sup>/<sub>8</sub>" (6.35 cm) minimum clearance on the hinge side to allow for the door to swing open.

**NOTE:** It is recommended that you do not install the wine cellar near an oven, radiator, or other heat source. Do not install in a location where the temperature will fall below 55°F (13°C). For best performance, do not install the wine cellar behind a cabinet door or block the base grille.