

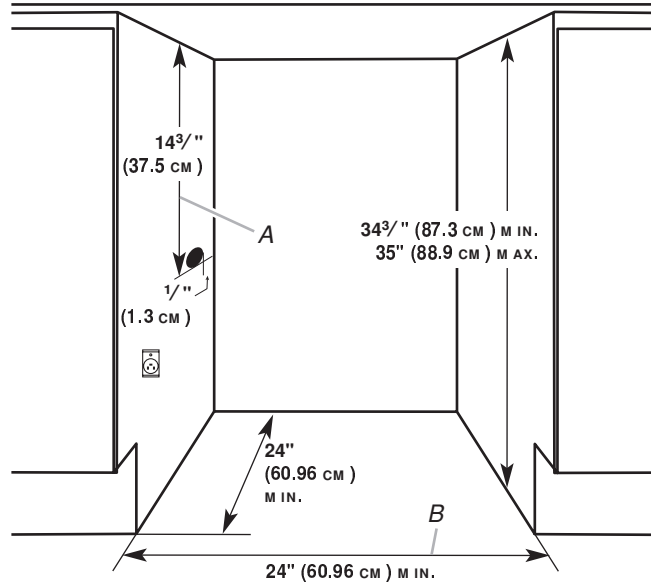
**PRODUCT MODEL NUMBERS**

KURL104EPA    KURR104EPA

**ELECTRICAL:** A 115 volt, 60 Hz., AC only, 15- or 20-amp fused, grounded electrical supply is required. It is recommended that a separate circuit serving only your wine cellar be provided. Use an outlet that cannot be turned off by a switch. Do not use an extension cord.

**NOTE:** Before performing any type of installation, cleaning, or removing a light bulb, unplug refrigerator or disconnect power.

**OPENING DIMENSIONS**



A. 14 3/8" (37.5 cm) utility opening  
B. 24" (60.96 cm) minimum opening width

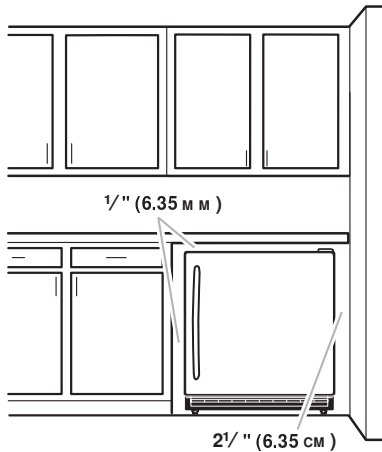
Height dimensions are shown with the leveling legs extended to the minimum height.

**NOTE:** When leveling legs are fully extended, add 5/8" (15 mm) to the height dimensions.

If the floor of the opening is not level with the kitchen floor, shim the opening to make it level with the kitchen floor.

Model	Door Swing
KURL104EPA	Left
KURR104EPA	Right

**LOCATION REQUIREMENTS**



To ensure proper ventilation for your refrigerator, allow for a 1/8" (6.35 mm) space on each side and at the top. When installing your refrigerator next to a fixed wall, leave 2 1/8" (6.35 cm) minimum clearance on the hinge side to allow for the door to swing open.

**NOTE:** It is recommended that you do not install the refrigerator near an oven, radiator, or other heat source. Do not install in a location where the temperature will fall below 55°F (13°C). For best performance, do not install the refrigerator behind a cabinet door or block the base grille.