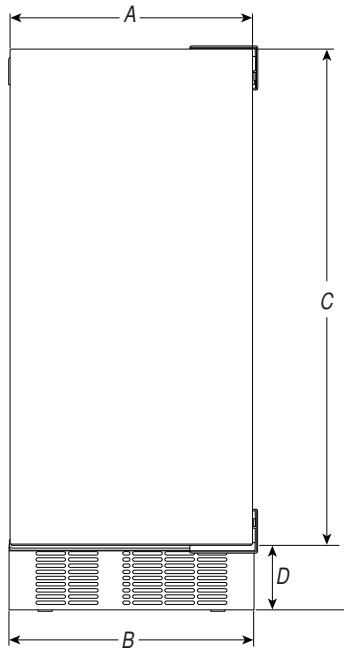


DETAILED PLANNING DIMENSIONS

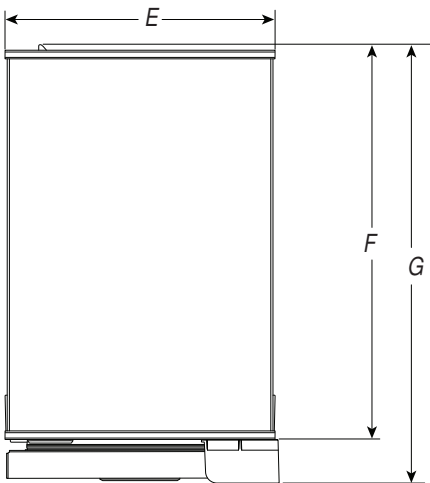
15" ICE MACHINES

KUIX535HPA – D 24" x W 14⁴⁵/₆₄" x H 34⁴⁵/₆₄" (depth without handle)

PRODUCT DIMENSIONS



FRONT VIEW



TOP VIEW

		MODEL #	
		KUIX535HPA	
		in	cm
A	Width	14 ⁴⁵ / ₆₄	37.33
B	Width of grille	14 ⁵⁵ / ₆₄	37.71
C	Height of door	30 ⁵¹ / ₆₄	76.4
D	Height of grille	3 ²⁹ / ₃₂	9.93
E	Width of recessed ice machine	14 ²⁹ / ₃₂	37.81
F	Depth without door	21 ²¹ / ₃₂	55.02
G	Depth with door	23 ²⁵ / ₃₂	60.42

IMPORTANT: Dimensional specifications are provided for planning purposes only. Do not make any cutouts based on this information. Refer to the Installation or Use & Care Guide before selecting cabinetry, verifying electrical/gas connections, making cutouts or beginning installation. All KitchenAid® appliances are appropriately UL, CUL or CSA approved.

KitchenAid®

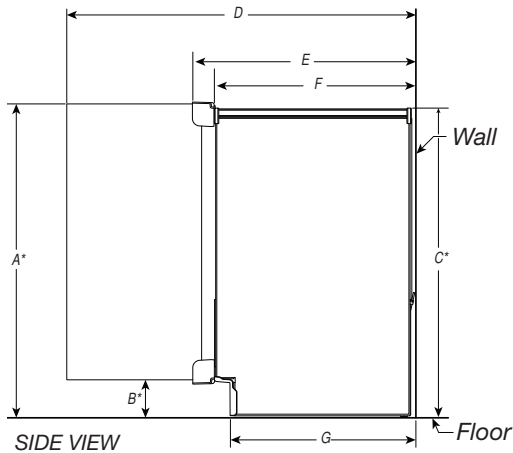
DETAILED PLANNING DIMENSIONS

15" ICE MACHINES

KUIX535HPA – D 24" x W 14⁴⁵/₆₄" x H 34⁴⁵/₆₄" (depth without handle)

	MODEL #	KUIX535HPA	
		in	cm
A*	Height to top of door (min.)	34 ⁶¹ / ₆₄	86.23
B*	Height to top of grille (min.)	3 ⁷ / ₈	9.83
C*	Height of recessed ice machine (min.)	33 ³⁵ / ₆₄	85.23
D	Depth with door open 90° (min.)	39 ¹ / ₈	99.39
E	Depth with door (min.)	23 ¹³ / ₁₆	60.47
F	Depth without door (min.)	21 ³³ / ₆₄	54.67
G	Depth of grille (min.)	19 ⁶¹ / ₆₄	50.67

* Add 1" (2.5 cm) to the height dimension when leveling legs are fully extended.



IMPORTANT: Dimensional specifications are provided for planning purposes only. Do not make any cutouts based on this information. Refer to the Installation or Use & Care Guide before selecting cabinetry, verifying electrical/gas connections, making cutouts or beginning installation. All KitchenAid® appliances are appropriately UL, CUL or CSA approved.

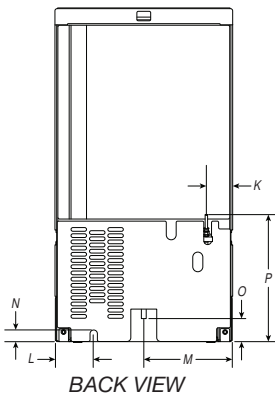
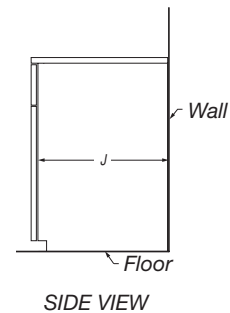
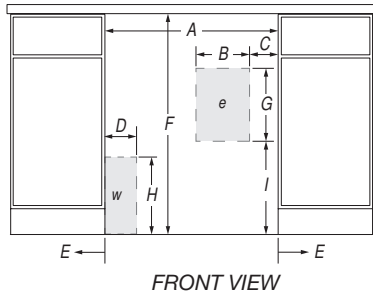
KitchenAid®

DETAILED PLANNING DIMENSIONS

15" ICE MACHINES

KUIX535HPA – D 24" x W 14⁴⁵/₆₄" x H 34⁴⁵/₆₄" (depth without handle)

OPENING/CLEARANCE DIMENSIONS



MODEL #		KUIX535HPA	
		in	cm
A*	Width (min.)	15	38.1
	Width without hinge side spacer option (min.)	15	38.1
	Width with hinge side spacer option (min.)	15 ³ / ₄	40.0*
B*	Width of outlet location	6	15.0
C*	Outlet location – distance from side	1	2.5
D*	Width of water connection location	3 ¹ / ₂	8.9
E	Minimum width from hinged side of ice machine to fixed wall – door open 90°	2	5.1
	Minimum width from hinged side of ice machine to fixed wall – door fully open 180°	13 ¹ / ₄	33.7
	Minimum width from hinged side of ice machine to fixed wall – door fully open 118°	6 ⁷ / ₈	17.4
F	Height (min.)	34	86.4
G	Height of outlet location	8	20.3
H	Height of water connection location	9	22.9
I	Outlet location – distance from bottom	12	30.5
J	Depth of cabinet (min.)	24	61.0
K	Water line location – distance from side	2 ³³ / ₆₄	6.41
L	Power supply – distance from side	3 ⁴⁹ / ₆₄	9.58
M	Drain hose – distance from side	7 ⁵ / ₁₆	18.57
N	Power supply – distance from bottom	1 ¹ / ₄	3.17
O	Drain hose – distance from bottom	2 ⁴³ / ₆₄	6.79
P	Water line location – distance from bottom	11 ⁹ / ₁₆	29.38
e	Recommended electrical connection location		
w	Recommended water connection location		

* Install 3/4" (1.9 cm) front hinge-side spacer flush with face of adjacent cabinet and 3/4" (1.9 cm) back hinge-side spacer 6" (15.2 cm) from back wall.

ELECTRICAL REQUIREMENTS

115 V, 60 Hz, AC only, 15 or 20 A fused, grounded circuit is required. A dedicated circuit is recommended. Use an outlet that cannot be turned off by a switch. Do not use an extension cord.

WATER PRESSURE REQUIREMENTS

A cold water supply with water pressure between 30 and 120 psi (207 and 827 kPa) is required to operate the ice maker. Call a licensed, qualified plumber with any questions about the water pressure.

IMPORTANT: Dimensional specifications are provided for planning purposes only.

Do not make any cutouts based on this information. Refer to the Installation or Use & Care Guide before selecting cabinetry, verifying electrical/gas connections, making cutouts or beginning installation. All KitchenAid® appliances are appropriately UL, CUL or CSA approved.

W11349807A

Reverse Osmosis Water Supply

IMPORTANT: The use of a reverse osmosis system with this product is not recommended. However if you do use reverse osmosis, follow these instructions.

IMPORTANT: The pressure of the water coming out of a reverse osmosis system going to the water inlet valve of the ice machine needs to be between 30 and 120 psi (207 and 827 kPa). If a reverse osmosis water filtration system is connected to the cold water supply, the water pressure to the reverse osmosis system needs to be a minimum of 40 to 60 psi (276 to 414 kPa).

KitchenAid®