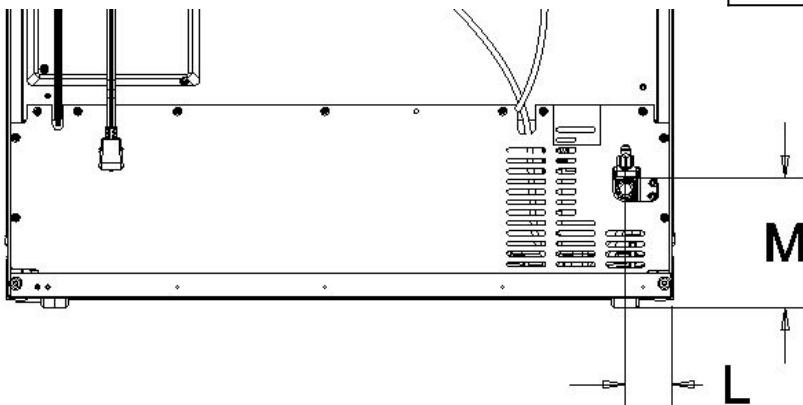
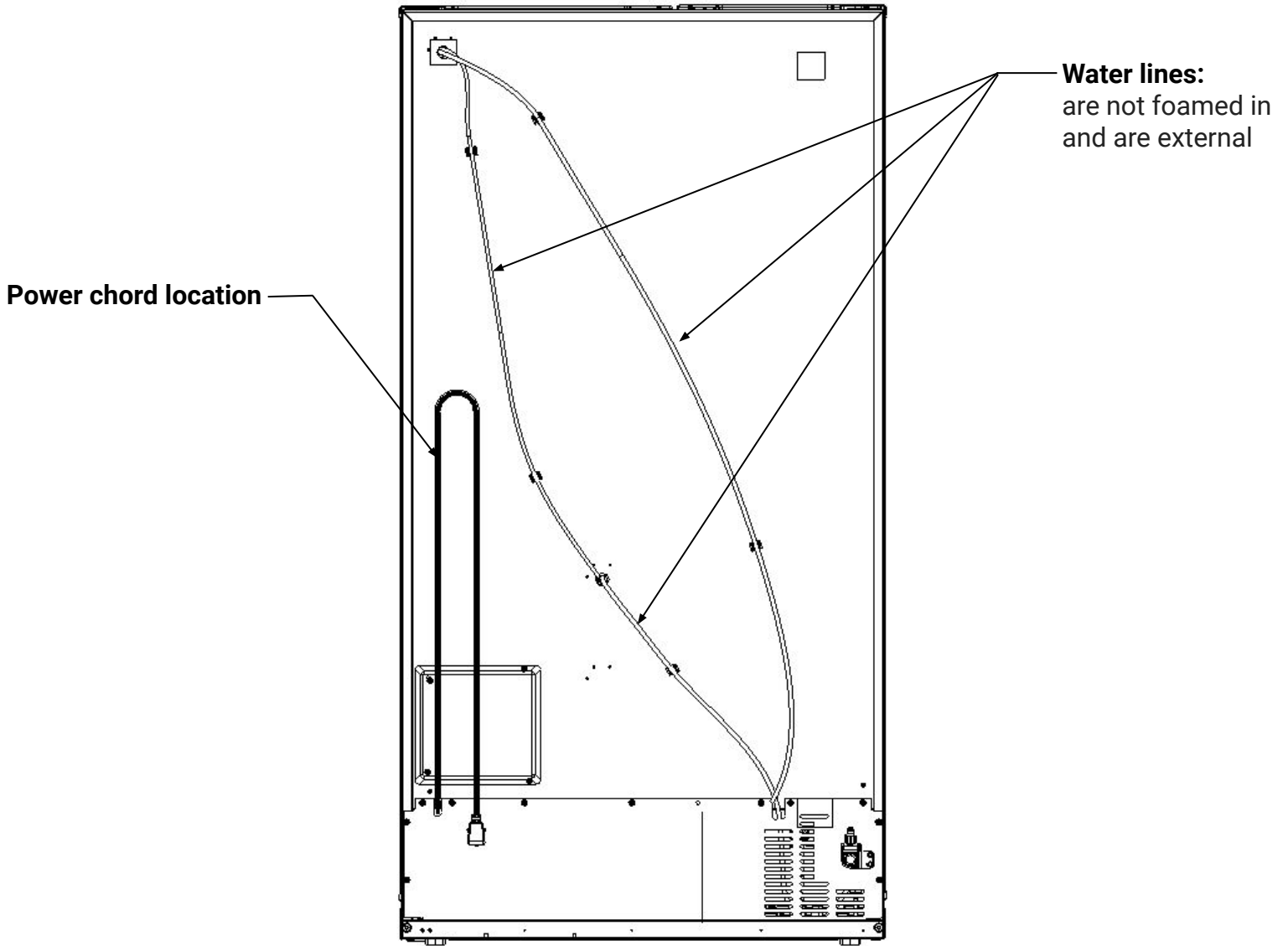


	Description	Inches	mm
<b>A</b>	Width of FC door	15-7/16	392.1
<b>B</b>	Width of RC door	20-1/16	509.5
<b>C</b>	Space between doors	1/4	6.35
<b>D</b>	Overall width	35-3/4	908
<b>E</b>	Height of door handles	31-9/16	801.6
<b>F</b>	Height to top of door handles	53-11/16	1363.6
<b>G</b>	Height of doors	65-11/16	1668.4
<b>H</b>	Height of grille	3-1/4	82.5
<b>I</b>	Height to bottom of the dispenser	33-1/2	850.9
<b>J</b>	Width of Dispenser	9-7/8	250.8
<b>K</b>	Height of Dispenser	9-3/4	947.6
<b>L</b>	Water line location distance from side	2-1/2	63.5
<b>M</b>	Water line location distance from bottom	6-7/8	174.6

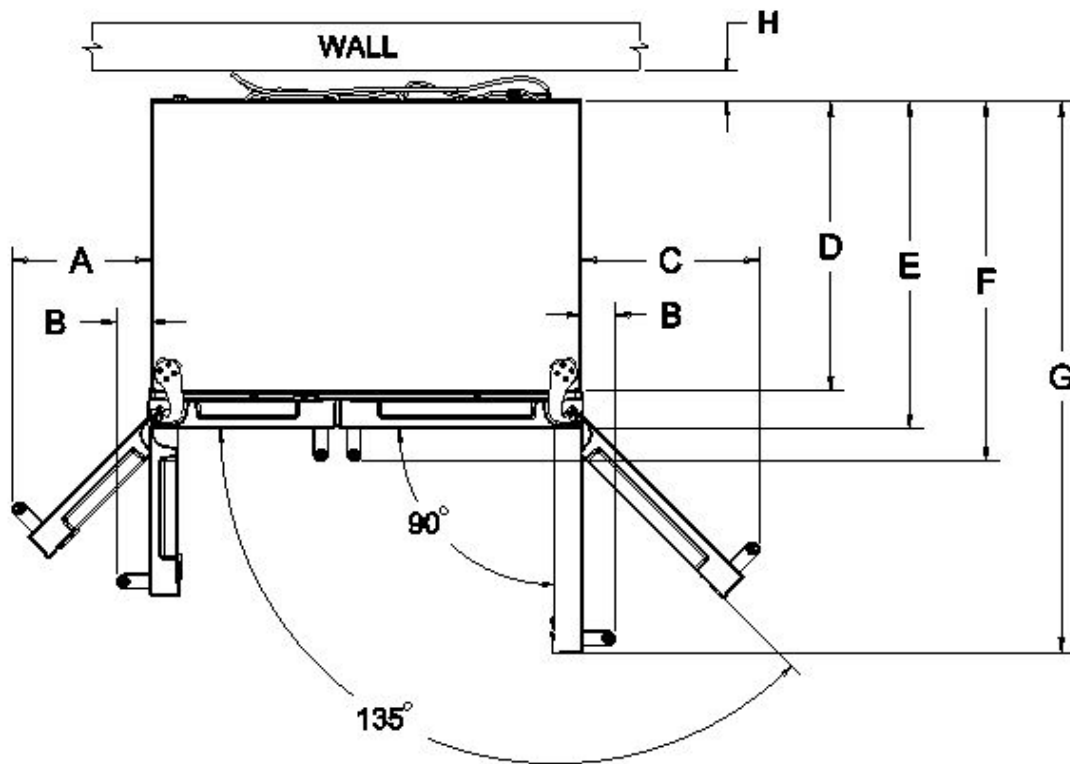




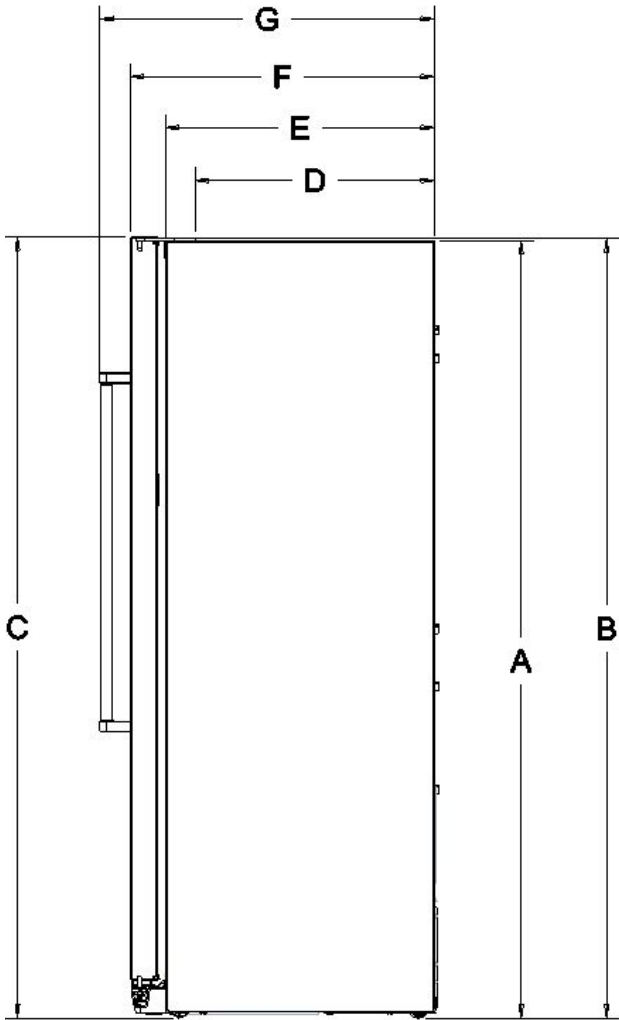
	Power chord	
	Type	Lenght
		Inches
Standard	75- <sup>5</sup> / <sub>8</sub>	1920

**Electrical:** A 115 volt, 60 Hz, AC only, 15- or 20-amp fused, grounded electrical supply is required. It is recommended that a separate circuit serving only your refrigerator be provided. Use an outlet that cannot be turned off by a switch. Do not use an extension cord.

**Water:** A cold water supply with water pressure of between 30 and 120 psi (207 and 827 kPa) is required to operate the water dispenser and ice maker. If you have questions about your water p



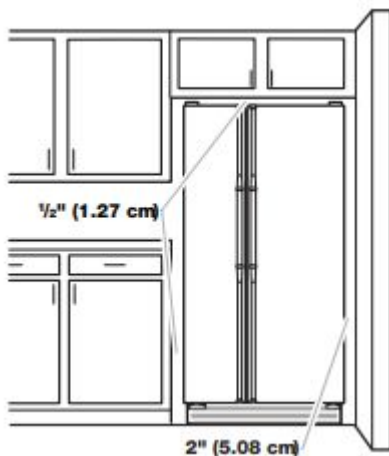
	Description	Inches	mm
<b>A</b>	Width from FC side of refrigerator to handle - door fully open 135°	11- <sup>3</sup> / <sub>8</sub>	288.9
<b>B</b>	Width from FC side of refrigerator to handle - door open 90°	2- <sup>3</sup> / <sub>4</sub>	69.8
<b>C</b>	Width from RC side of refrigerator to handle - door fully open 135°	14- <sup>5</sup> / <sub>8</sub>	365.1
<b>D</b>	Depth without doors	23- <sup>3</sup> / <sub>4</sub>	603.25
<b>E</b>	Depth with doors	26- <sup>7</sup> / <sub>8</sub>	682.6
<b>F</b>	Depth with handles	29-9/16	750.8
<b>G</b>	Depth with doors open 90°	45-5/16	1150.9
<b>H</b>	Space required for water lines and power chord	2	50.8



Description		Inches	mm
<b>A</b>	Height of recessed refrigerator	68- <sup>3</sup> / <sub>8</sub>	1736.7
<b>B</b>	Height to top of hinges	68-13/16	1747.8
<b>C</b>	Total height	69	1752.6
<b>D</b>	Depth to back of hinges	21- <sup>3</sup> / <sub>4</sub>	552.4
<b>E</b>	Depth without doors	23- <sup>3</sup> / <sub>4</sub>	603.2
<b>F</b>	Depth with doors	26- <sup>7</sup> / <sub>8</sub>	682.6
<b>G</b>	Depth with handles	29-9/16	750.8

Interior dimensions	Width	Height
<b>Refrigerator Compartment</b>	17 <sup>5</sup> / <sub>8</sub> in 447.6 mm	62 <sup>1</sup> / <sub>8</sub> in 1577.9 mm
<b>Freezer Compartment</b>	12- <sup>1</sup> / <sub>8</sub> in 307.9 mm	60 <sup>3</sup> / <sub>8</sub> in (1533.5 mm)

### Location Requirements



To ensure proper ventilation for your refrigerator, allow for  $\frac{1}{2}$ " (1.27 cm) of space on each side and at the top.

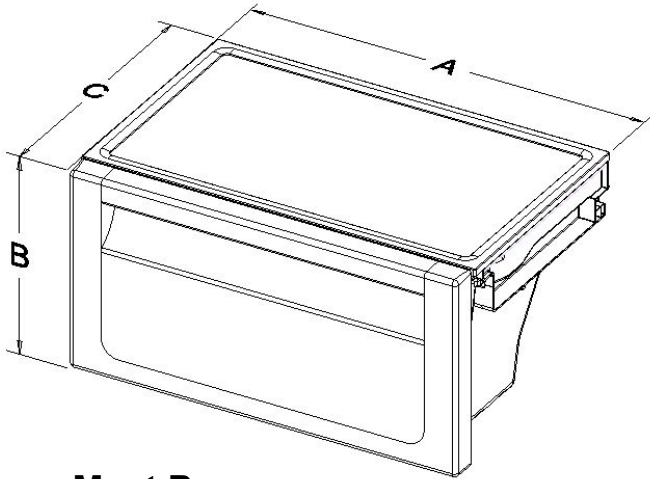
Allow for 1" (2.54 cm) of space behind the refrigerator. If your refrigerator has an ice maker, allow extra space at the back for the water line connections.

When installing your refrigerator next to a fixed wall, leave a 2" (5.08 cm) minimum space on each side (depending on your model) to allow the doors to swing open.

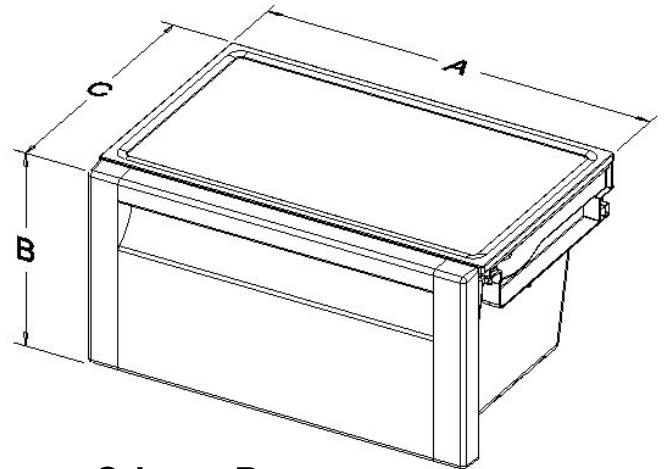
#### NOTES:

- This refrigerator is intended for use in a location where the temperature ranges from a minimum of 55°F (13°C) to a maximum of 110°F (43°C). The preferred room temperature range for optimum performance, which reduces electricity usage and provides superior cooling, is between 60°F (15°C) and 90°F (32°C). It is recommended that you do not install the refrigerator near a heat source, such as an oven or radiator.

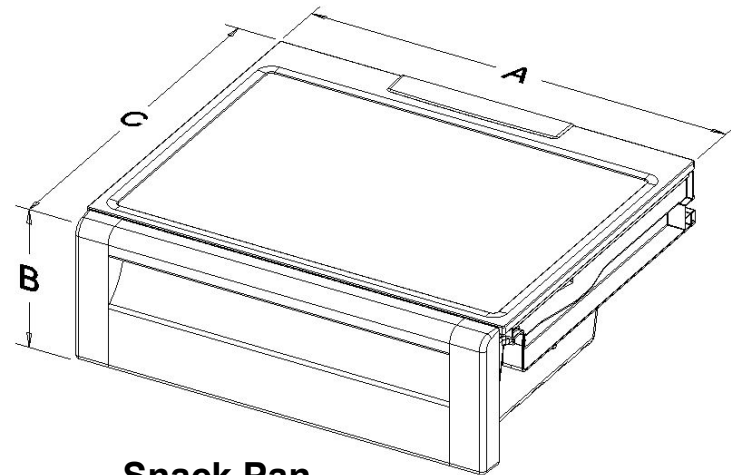
- Normal minimum cabinet cut-out width required for product installation is 36" (91.44 cm). However, if the product is placed against an extended wall and the ability to remove the crisper pans is desired, an additional 18" (45.72 cm) of cabinet width is required, so a total cabinet opening width of 54" (137.16 cm) is recommended.



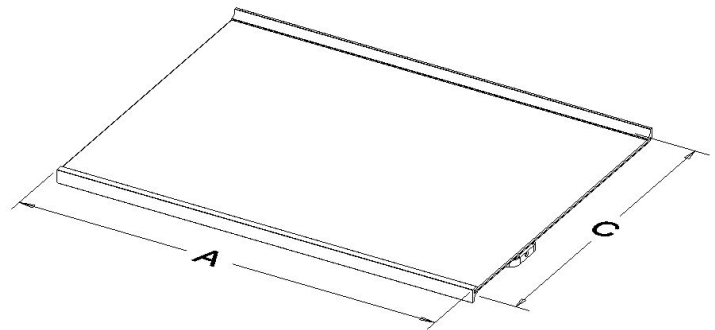
**Meat Pan**



**Crisper Pan**



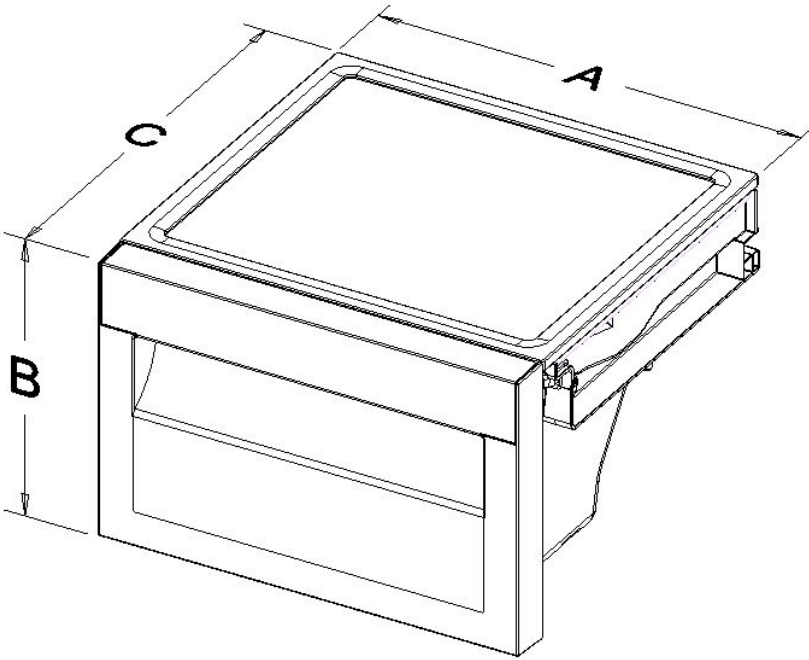
**Snack Pan**



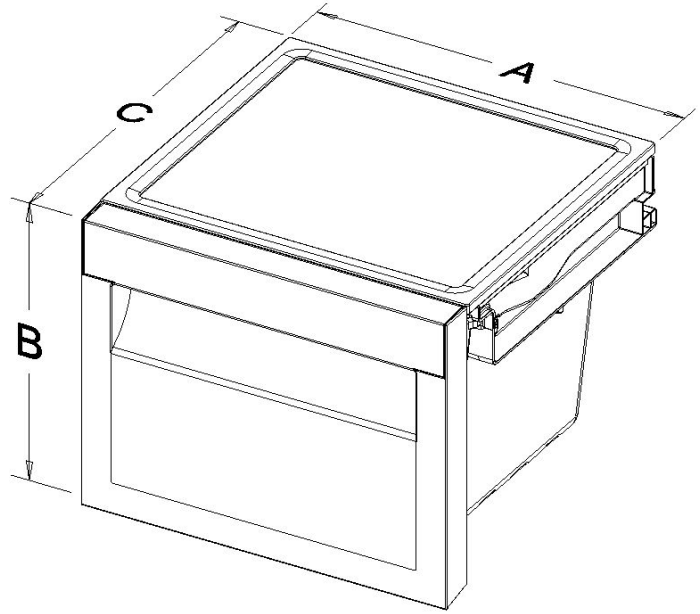
**Shelf**

### Refrigerator Compartment Features

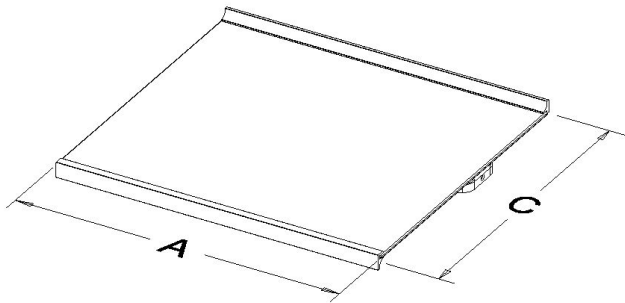
Description	A width	B height	C depth
<b>Meat Pan</b>	17-½ in 444.5 mm	8-⅞ in 225.4 mm	11-¾ in 298.4 mm
<b>Crisper pan</b>	17-½ in 444.5 mm	8-⅞ in 225.4 mm	11-¾ in 298.4 mm
<b>Snack Pan</b>	17-½ in 444.5 mm	5-⅞ in 149.2 mm	15-¼ in 387.3 mm
<b>Shelf</b>	17-½ in 444.5 mm	N/A	13 in 330.2 mm



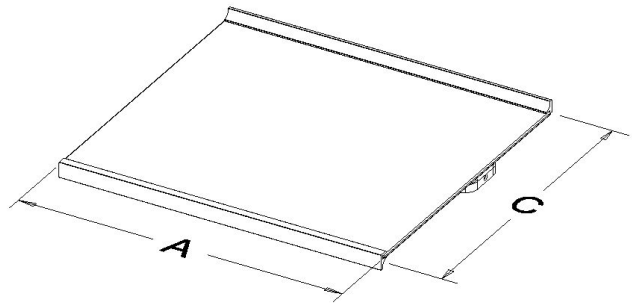
**Bottom bin**



**Top bin**



**Bottom Shelf**



**Top Shelf**

### Freezer Compartment Features

Description	A width	B height	C depth
<b>Bottom bin</b>	11- <sup>3</sup> / <sub>4</sub> in 298.4 mm	7- <sup>5</sup> / <sub>8</sub> in 193.6 mm	11- <sup>1</sup> / <sub>2</sub> in 292.1 mm
<b>Top bin</b>	11- <sup>3</sup> / <sub>4</sub> in 298.4 mm	8- <sup>3</sup> / <sub>4</sub> in 222.2 mm	11- <sup>1</sup> / <sub>2</sub> in 292.1 mm
<b>Bottom Shelf</b>	11- <sup>3</sup> / <sub>4</sub> in 298.4 mm	N/A	10- <sup>5</sup> / <sub>8</sub> in 269.8 mm
<b>Top Shelf</b>	11- <sup>3</sup> / <sub>4</sub> in 298.4 mm	N/A	12- <sup>3</sup> / <sub>4</sub> in 323.8 mm