



20 cu. Ft. 30-Inch Width Standard Depth French Door Refrigerator with Interior Dispense

KRFF300EWH

Available Finishes/Colours

	KRFF300ESS Stainless Steel
---	-------------------------------

Dimensions		Controls	
Depth	34 7/8	Automatic Defrost	Yes
Height	68 3/8	Verrouillage des commandes	No
Width	30 1/8	LCD Touch Screen	No
		Door Ajar/Open Alarm	Yes
		Control Lockout	No
		Control Location	Interior Up Front
		Max Cool/Fast Cool	Yes
		Water Filter Indicator/Reset	Yes

AHAM Volumes And Shelf Area	
Freezer Volume (Cu Ft)	6.34
Refrigerator Volume (Cu Ft)	13.34

Compatibility	
Connectivity	No
Works With	No

Configuration and Overview	
Counter Depth	No
Number of Doors	3

This 30-inch refrigerator is an ideal solution in small kitchens that can typically only accept a top-freezer refrigerator. French doors open with a narrow door swing similar to a side-by-side refrigerator. And inside you'll find appealing features including an interior water dispenser and a full-width pantry drawer that helps keep your fresh food organized and easy to reach.

Top Features
ExtendFresh™ Plus Temperature Management System
Interior Water Dispenser
Professionally-Inspired Design

Details	
Cooling Type	Single Evaporator
Counter Depth	No
Door Style	Contour

Controls	
Control Type	Electronic
Air Filter Indicator/Reset	Yes

Manuals & Literature:

-  [Dimension Guide](#)
-  [Energy Guide](#)
-  [Owner Manual](#)
-  [Warranty Information](#)

Bottom Mount Refrigerator

PRODUCT MODEL NUMBERS

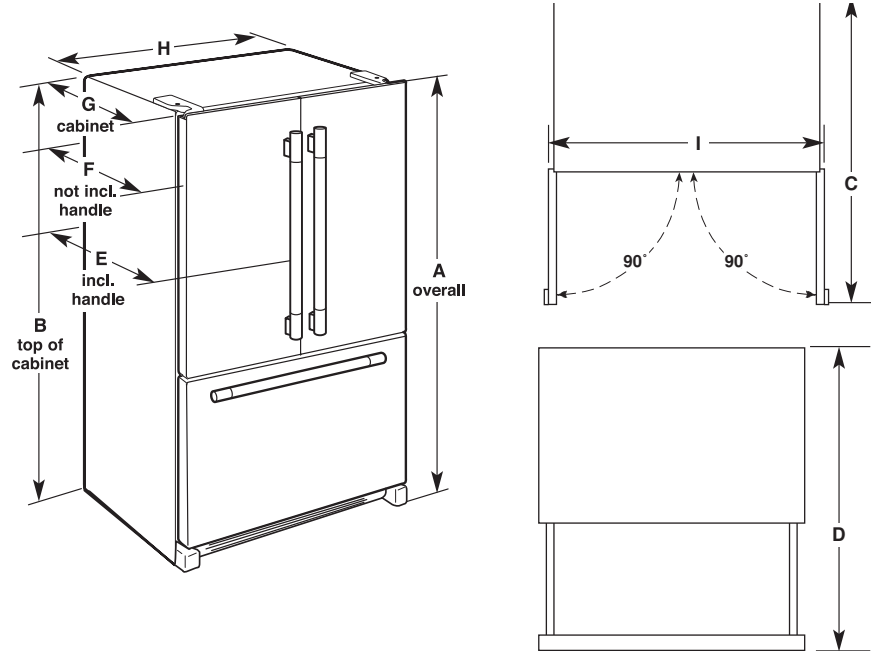
KRFF300E

Electrical: A 115 volt, 60 Hz., AC only 15- or 20-amp fused, grounded electrical supply is required. It is recommended that a separate circuit serving only your refrigerator be provided. Use an outlet that cannot be turned off by a switch. Do not use an extension cord.

Water: A cold water supply with water pressure between 30 and 120 psi (207 and 827 kPa) is required to operate the water dispenser and ice maker. If you have questions about your water pressure, call a licensed, qualified plumber.

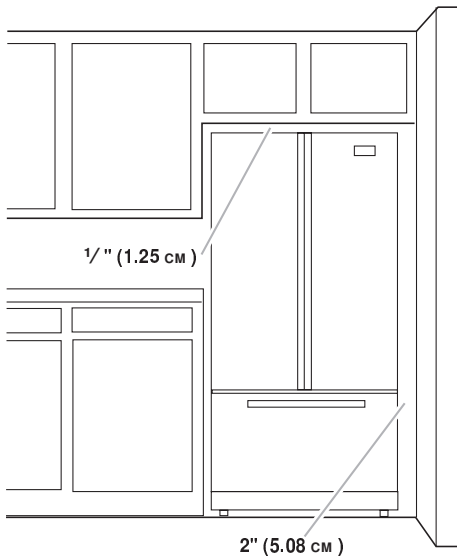
Reverse Osmosis Water Supply:
IMPORTANT: The pressure of the water supply coming out of a reverse osmosis system going to the water inlet valve of the refrigerator needs to be between 30 and 120 psi (207 and 827 kPa).
If a reverse osmosis water filtration system is connected to your cold water supply, the water pressure to the reverse osmosis system needs to be a minimum of 40 to 60 psi (276 to 414 kPa).

PRODUCT DIMENSIONS



Model Size	Height - Overall "A"	Height - Top of Cabinet "B"	Depth - Doors Open 90° "C"	Depth - Drawer Open "D"	Depth - With Handles "E"	Depth - Without Handles "F"	Depth - Cabinet Only "G"	Width - Cabinet "H"	Width - Door Open 90° "I"
19.7	68 ³ / ₈ " (173.7 cm)	67 ¹ / ₈ " (171.5 cm)	44 ¹ / ₈ " (112.1 cm)	52" (132.1 cm)	34 ⁷ / ₈ " (88.6 cm)	32 ¹ / ₈ " (81.9 cm)	28" (71.1 cm)	30 ¹ / ₈ " (76.5 cm)	33 ⁷ / ₈ " (86.4 cm)

LOCATION REQUIREMENTS



To ensure proper ventilation for your refrigerator, allow for a 1/2" (1.25 cm) of space on each side and at the top. Allow for a 1" (2.54 cm) space behind the refrigerator. If your refrigerator has an ice maker, allow extra space at the back for the water line connections. When installing your refrigerator next to a fixed wall, leave a 2" (5.08 cm) minimum space between the refrigerator and wall to allow the door to swing open.

NOTE: This refrigerator is intended for use in a location where the temperature ranges from a minimum of 55°F (13°C) to a maximum of 110°F (43°C). The preferred room temperature range for optimum performance, which reduces electricity usage and provides superior cooling, is between 60°F (15°C) and 90°F (32°C). It is recommended that you do not install the refrigerator near a heat source, such as an oven or radiator.