

PRODUCT MODEL NUMBERS

KBSD602E KBSD606E KBSD608E KBSN602E KBSN608E
KBSD612E KBSD618E

Electrical: A 115 volt, 60 Hz., AC only, 15- or 20-amp fused, grounded electrical supply is required. It is recommended that a separate circuit serving only your refrigerator be provided. Use an outlet that cannot be turned off by a switch. Do not use an extension cord.

Water Pressure: A cold water supply with water pressure between 30 and 120 psi (207 and 827 kPa) is required to operate the water dispenser and ice maker. If you have questions about your water pressure, call a licensed, qualified plumber.

Reverse Osmosis Water Supply:

IMPORTANT: The pressure of the water supply coming out of a reverse osmosis system going to the water inlet valve of the refrigerator needs to be between 30 and 120 psi (207 and 827 kPa).

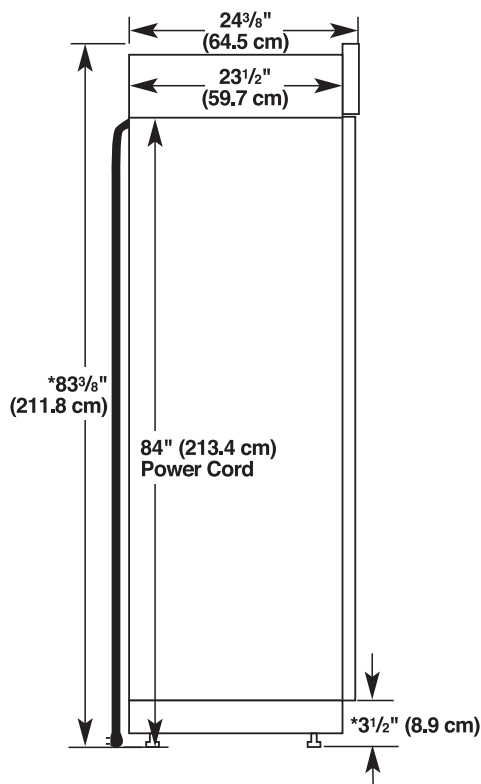
IMPORTANT:

- It is recommended that you do not install the refrigerator near an oven, radiator, or other heat source.
- Do not install in a location where the temperature will fall below 55°F (13°C).
- Floor must support the refrigerator weight, more than 600 lbs (272 kg), door panels and contents of the refrigerator.

PRODUCT DIMENSIONS

- The depth from the front of the top grille to the back of the refrigerator cabinet is 5³/₈" (64.5 cm).
- The power cord is 84" (213 cm) long.
- Height dimensions are shown with leveling legs extended 1/8" (3 mm) below the rollers.

SIDE VIEW

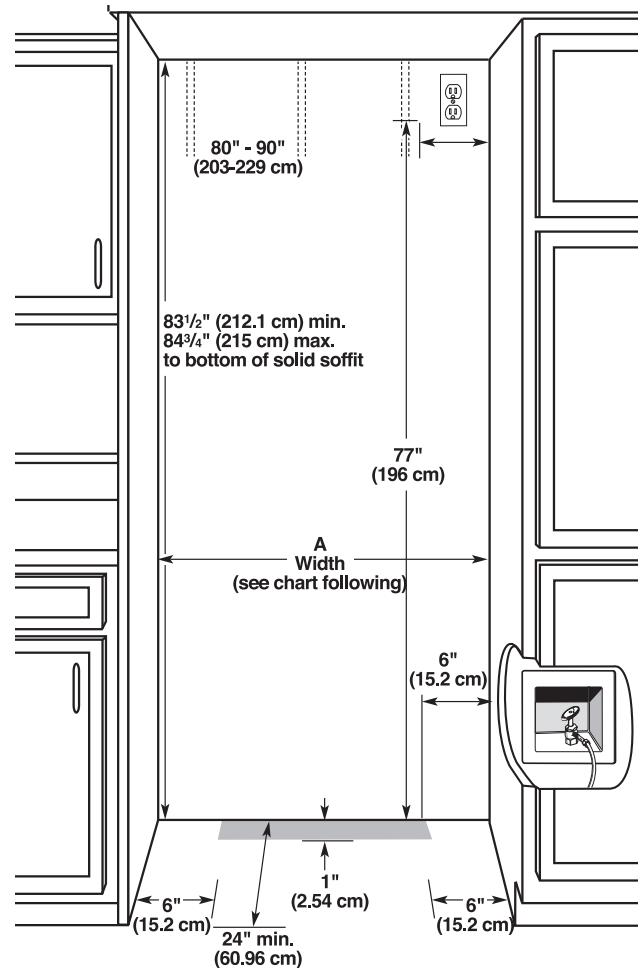


*When leveling legs are fully extended to 1¹/₄" (3.2 cm) below rollers, add 1¹/₈" (2.9 cm) to the height dimensions.

OPENING DIMENSIONS

To avoid tipping during use, the solid soffit must be within 1" (2.5 cm) maximum above the refrigerator. If the solid soffit is higher than 1" (2.5 cm) or one is not available, then the refrigerator must be braced. If the anti-tip boards are needed, they must be attached to the rear wall studs 80" to 90" (203 cm to 229 cm) above the floor. See "Install Anti-Tip Boards" for more information.

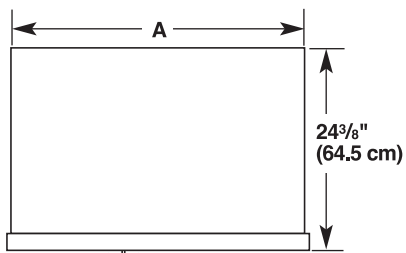
NOTE: A clearance of 1/2" (1.3 cm) above the top grille must be maintained in order for the top grille to be removed.



| Model | Width A (as shown above) | Dimension B (as shown above) |
|-------|--|--|
| 36 | 35 ¹ / ₂ " to 35 ³ / ₄ " (90.2 cm to 90.8 cm) | 4" (10.2 cm) |
| 42 | 41 ¹ / ₂ " to 41 ³ / ₄ " (105.4 cm to 106.1 cm) | 7 ¹ / ₂ " (19.1 cm) |
| 48 | 47 ¹ / ₂ " to 47 ³ / ₄ " (120.7 cm to 121.3 cm) | 13 ¹ / ₂ " (34.3 cm) |

NOTE: Flooring under refrigerator must be at same level as the room. Face of cabinetry must be plumb.

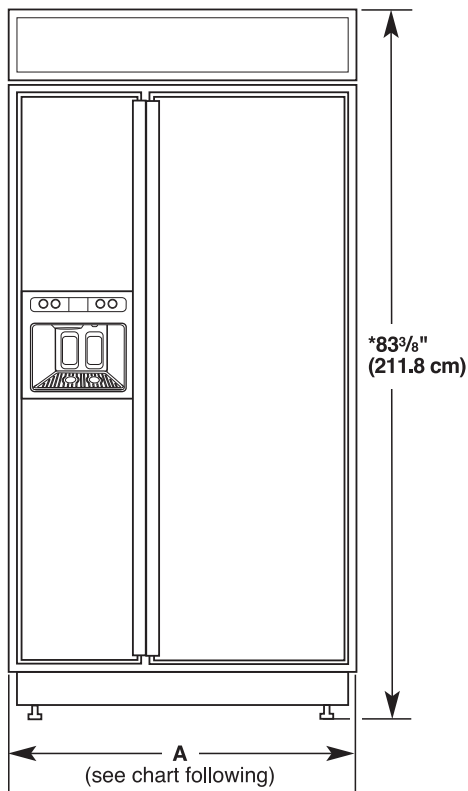
TOP VIEW



| Model | Width A |
|-------|----------------|
| 36 | 35" (88.9 cm) |
| 42 | 41" (104.1 cm) |
| 48 | 47" (119.4 cm) |

FRONT VIEW

- Width dimensions were measured from trim edge to trim edge.
- Height dimensions are shown with leveling legs extended $\frac{1}{8}"$ (3 mm) below the rollers.



| Model | Width A (Trim edge to trim edge) |
|-------|----------------------------------|
| 36 | $36\frac{1}{32}"$ (92.3 cm) |
| 42 | $42\frac{1}{32}"$ (107.5 cm) |
| 48 | $48\frac{1}{32}"$ (122.8 cm) |

*When leveling legs are fully extended to $1\frac{1}{4}"$ (3.2 cm) below rollers, add $1\frac{1}{8}"$ (2.9 cm) to the height dimensions.

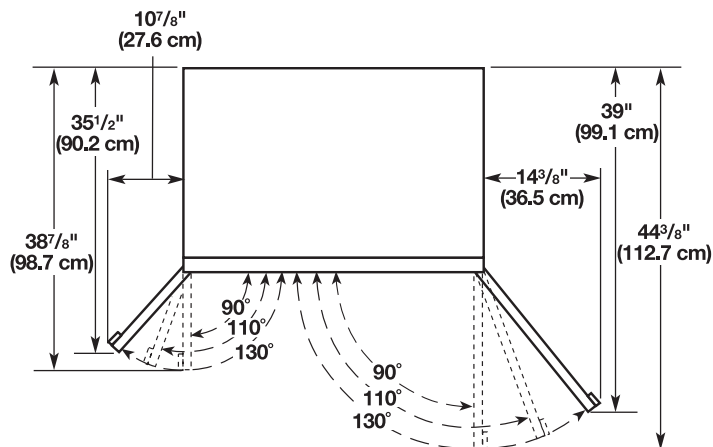
DOOR SWING DIMENSIONS

The location must permit both doors to open to a minimum of 90° . Allow 5" (12.7 cm) minimum space between the side of the refrigerator and a corner wall.

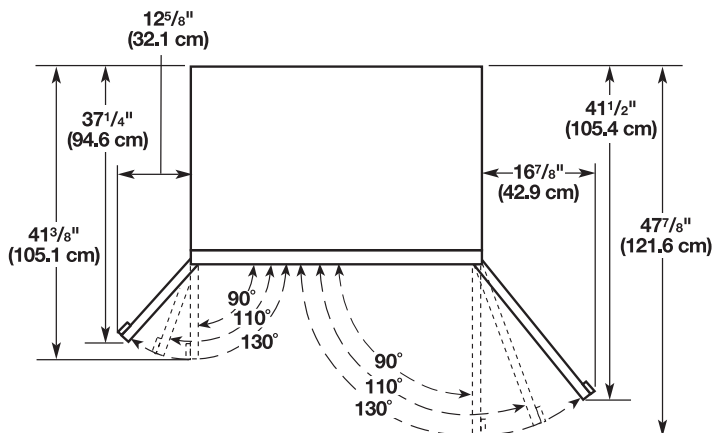
NOTE: More clearance may be required if you are using overlay panels, custom handles, or extended handles on a Classic model.

To adjust the door swings, see "Adjust Doors."

36" (91.4 cm) Models



42" (106.7 cm) Models



48" (121.9 cm) Models

