



20.8 Cu. Ft. 36" Width Built In Stainless Steel French Door Refrigerator with Platinum Interior Design

KBFN506EBS

Available Finishes/Colours

Dimensions	
Depth	27 3/4
Height	83 3/8
Width	36 1/4

AHAM Volumes And Shelf Area	
Freezer Volume (Cu Ft)	5.56
Refrigerator Volume (Cu Ft)	15.25

Configuration and Overview	
Advance Foam Insulation	99.9% lower Global Warming Potential and Better Energy Performance
Counter Depth	Yes
Number of Doors	3

Details	
Cooling Type	Dual Evaporator

Details	
Advance Foam Insulation	99.9% lower Global Warming Potential and Better Energy Performance
Counter Depth	Yes
Door Style	Flat

Controls	
Control Type	Electronic
Air Filter Indicator/Reset	No
Automatic Defrost	Yes
LCD Touch Screen	No
Door Ajar/Open Alarm	Yes
Control Location	Interior Up Front

Outside, this built-in stainless steel French door refrigerator will seamlessly integrate with your cabinetry. Inside, the Preserva® Food Care System features three technologies that work in concert to assure crisp produce and deliciously flavorful foods while helping to eliminate refrigerator odors and the beautiful glossy silver Platinum Interior Design sets off the metallic accents of the shelves, crisper and baskets.

Top Features
Preserva® Food Care System
Platinum Interior Design
Automatic Ice Maker

Manuals & Literature:

- [Dimension Guide](#)
- [Energy Guide](#)
- [Installation Guide](#)
- [Owner Manual](#)
- [Warranty Information](#)

PRODUCT MODEL NUMBERS

KBBL206E	KBBR306E	KBFN502E
KBBL306E	KBFN402E	KBFN506E
KBBR206E	KBFN406E	

IMPORTANT: Observe all governing codes and ordinances.

Electrical: A 115 Volt, 60 Hz., AC only 15- or 20-amp fused, grounded electrical supply is required. It is recommended that a separate circuit serving only your refrigerator be provided. Use an outlet that cannot be turned off by a switch. Do not use an extension cord.

A grounded 3 prong electrical outlet should be placed within 4" (10.2 cm) of the right side cabinets or end panel.

Location: Do not install in a location where the temperature will fall below 55°F (13°C). It is recommended that you do not install the refrigerator near an oven, radiator, or other heat source.

- Floor must support the refrigerator weight, more than 600 lbs. (272 kg), door panels, and contents of the refrigerator.
- Ceiling height must allow for side tipping radius. See "Tipping Radius."
- Location should permit door to open fully. See "Door Swing Dimensions."
- Location must permit top grille removal. See "Opening Dimensions."

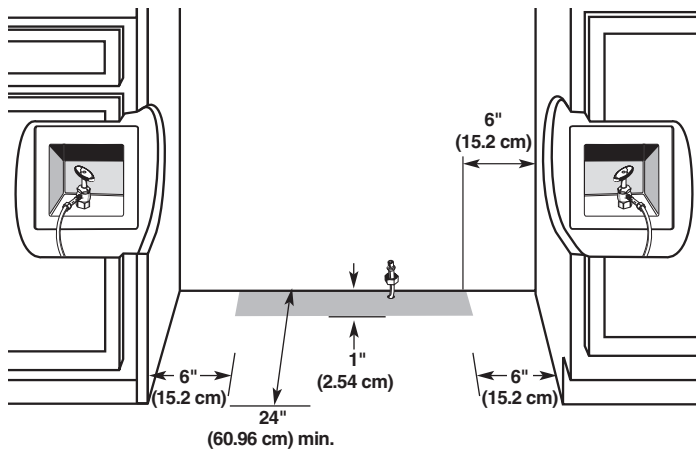
Water Supply:

A cold water supply with water pressure between 30 and 120 psi (207 and 827 kPa) is required to operate the water dispenser and ice maker. If you have questions about your water pressure, call a licensed, qualified plumber.

Reverse Osmosis Water Supply

IMPORTANT: The pressure of the water supply coming out of a reverse osmosis system going to the water inlet valve of the refrigerator needs to be between 30 and 120 psi (207 and 827 kPa).

- All installations must meet local plumbing code requirements.
 - The water shutoff should be located in the base cabinet on either side of the refrigerator or some other easily accessible area. The right-hand side is recommended. The access hole through the cabinet must be within ½" (12.7 mm) of the rear wall.
- NOTE:** If the water shutoff valve is in the back wall behind the refrigerator, it must be at an angle so that the tube is not kinked when the refrigerator is pushed into its final location.

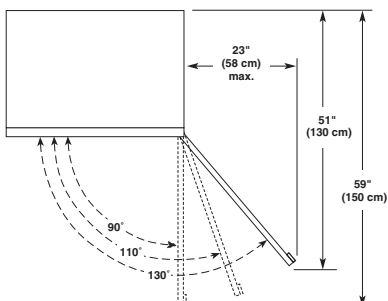


DOOR SWING DIMENSIONS

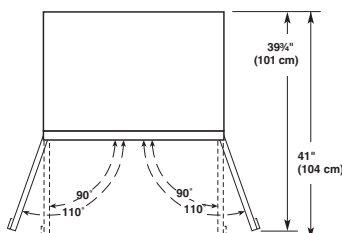
The location must permit the door to open a minimum of 90°. Allow 4½" (11.4 cm) minimum space between the side of the refrigerator and a corner wall.

NOTE: More clearance may be required if you are using overlay panels or custom handles.

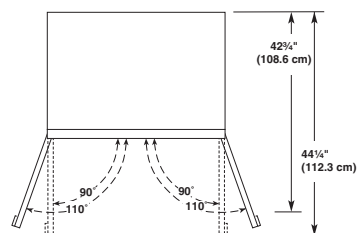
36" (91.4 cm) Single Door Models



36" (91.4 cm) French Door Models



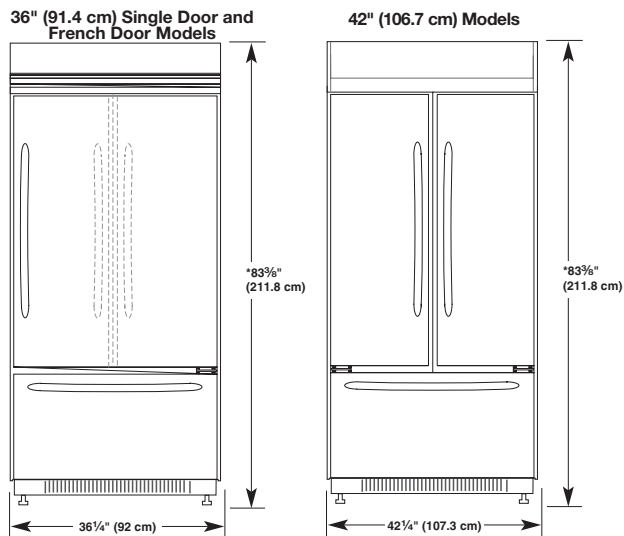
42" (106.7 cm) Models



PRODUCT DIMENSIONS

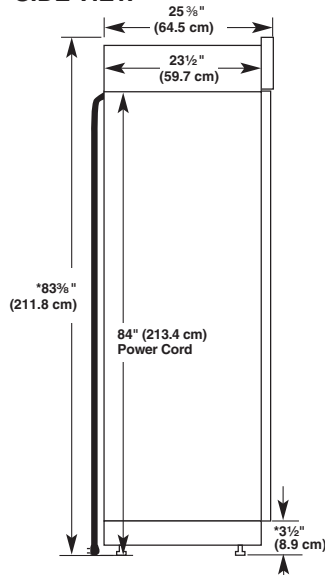
- Height dimensions are shown with the leveling legs extended to ⅛" (3 mm) below the rollers.
- Width dimensions were measured from trim edge to trim edge.

FRONT VIEW

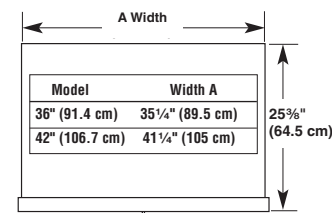


* When leveling legs are fully extended to ¼" (3.2 cm) below rollers, add 1⅞" (2.9 cm) to the height dimensions.

SIDE VIEW



TOP VIEW



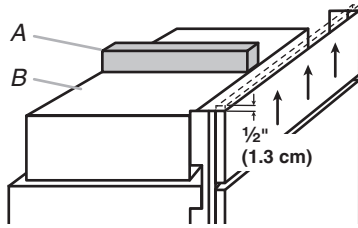
- The water line attached to the back of the refrigerator is 5' (1.5 m) long.

OPENING DIMENSIONS

To avoid tipping during use, the solid soffit must be within 1" (2.5 cm) maximum above the refrigerator. If the solid soffit is higher than 1" (2.5 cm) or one is not available, then the refrigerator must be braced.

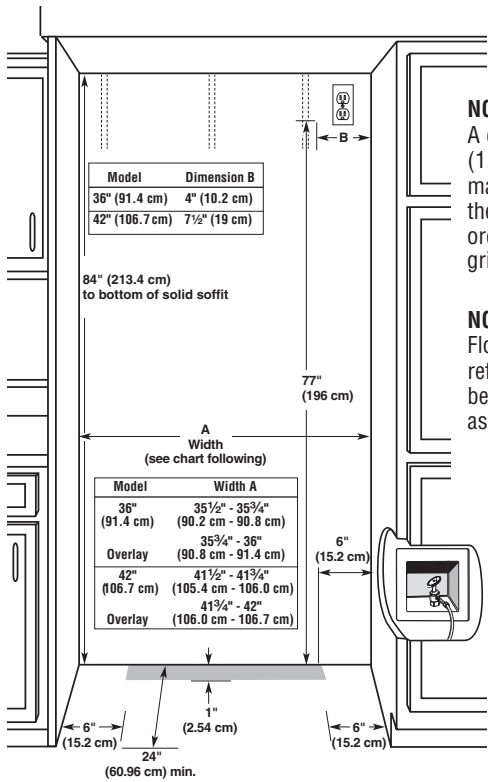
If anti-tip boards are needed, they must be installed to the rear wall studs so that the bottom of the anti-tip board is 84" (213.4 cm) from the floor.

NOTE: Do not remove the foam gasket on top of the compressor cover unless removal is necessary to fit the unit under a soffit. Removal of the gasket will cause loss in cooling efficiency.



A. Gasket
B. Compressor cover

NOTE: If installing under a solid soffit, after installation raise the leveling legs so that the gasket is pressed snugly against the soffit.



NOTE:
A clearance of ½" (1.3 cm) must be maintained above the top grille in order for the top grille to be removed.

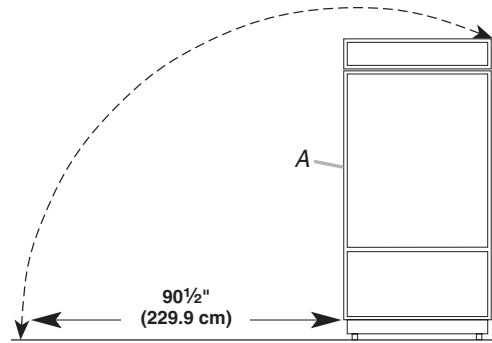
NOTE:
Flooring under refrigerator must be at same level as the room.

TIPPING RADIUS

Be sure there is adequate ceiling height to stand the refrigerator upright when it is moved into place.

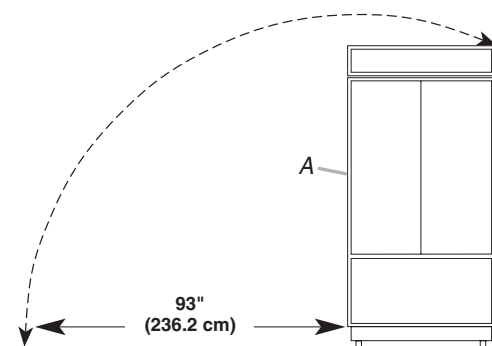
- The dolly wheel height must be added to the tipping radius when a dolly is used.
- If needed, the tipping radius can be reduced. See "Reduce Tipping Radius."

Side Tipping Radius (36" [91.4 cm] Models)



A. Tip this side only.

Side Tipping Radius (42" [106.7 cm] Models)



A. Tip this side only.