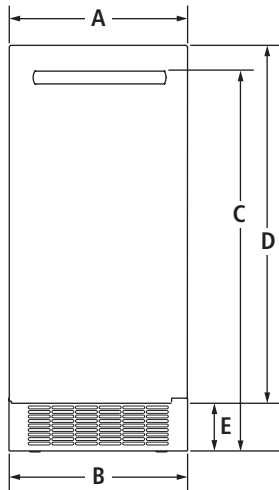


15" ICE MACHINES

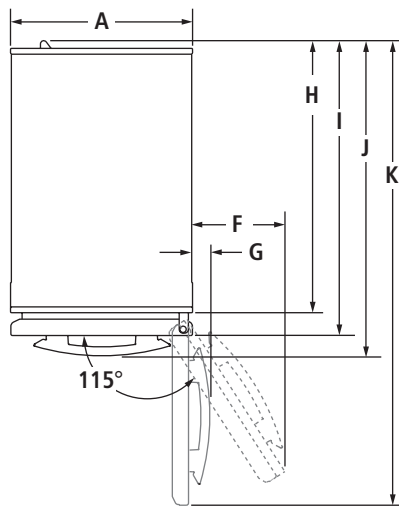
JIM158XYR, JIM159XYR – 14⁷/₈" x 33³/₄" x 24¹/₄" (depth without handle)

JIM158XYC, JIM159XYC – 14⁷/₈" x 33³/₄" x 25" (depth without handle)

PRODUCT DIMENSIONS

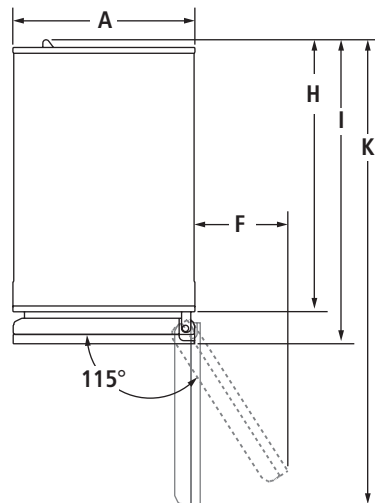


FRONT VIEW



TOP VIEW – JIM158XYR, JIM159XYR

TOP VIEW – JIM158XYC, JIM159XYC



MODEL #		JIM158XYR JIM159XYR		JIM158XYC JIM159XYC	
		in	cm	in	cm
A	Width	14 ⁷ / ₈	37.8	14 ⁷ / ₈	37.8
B	Width of grille	14 ³ / ₄	37.6	14 ³ / ₄	37.6
C	Height to top of handle Pro-Style® Stainless*	31 ³ / ₄	80.6	—	—
	Euro-Style Stainless	31 ¹ / ₂	79.9	—	—
	Custom panel	—	—	**	**
D	Height of door	29 ⁷ / ₈	75.9	29 ⁷ / ₈	75.9
E	Height of grille	4	10.1	4	10.1
F	Width from side of ice machine to door fully open	7	17.7	6 ⁷ / ₈	17.4
G	Width from side of ice machine to handle – door open 90° Pro-Style® Stainless*	2 ³ / ₈	6.0	—	—
	Euro-Style Stainless	1 ⁷ / ₈	4.7	—	—
	Custom panel	—	—	**	**
H	Depth without door	22 ³ / ₈	56.7	22 ³ / ₈	56.7
I [†]	Depth with door	24 ¹ / ₄	61.5	25	63.5
J	Depth with handle Pro-Style® Stainless*	26 ¹ / ₂	67.3	—	—
	Euro-Style Stainless	26	65.9	—	—
	Custom panel	—	—	**	**
K	Depth with door open 90°	38	96.6	38	96.6

*Requires optional Pro-Style® Stainless handle kit – W10591217.

Each kit includes one Pro-Style® badge and one handle.

**For custom panel models, this depends on handle chosen.

[†]Includes recommended 3/4" (1.9 cm) custom panel thickness (JIM158XYC, JIM159XYC).

IMPORTANT: Dimensional specifications are provided for planning purposes only.

Do not make any cutouts based on this information. Refer to the Installation Guide *before* selecting cabinetry, verifying electrical/gas connections, making cutouts or beginning installation.

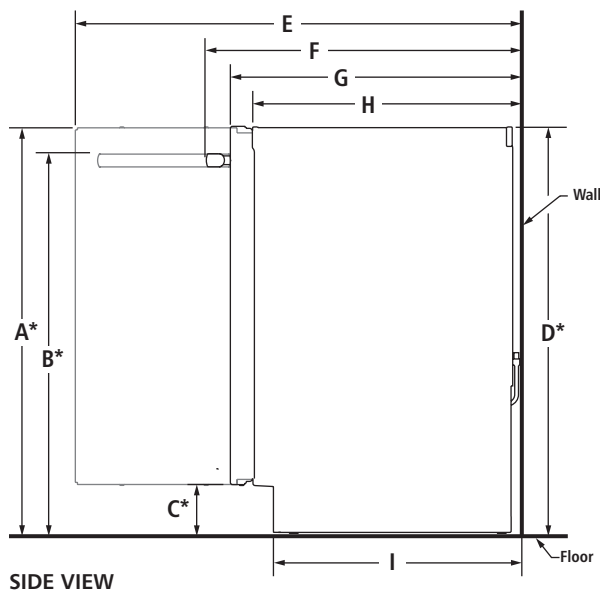
All Jenn-Air® appliances are appropriately UL, CUL or CSA approved.

15" ICE MACHINES

JIM158XYR, JIM159XYR – 14⁷/₈" x 33³/₄" x 24¹/₄" (depth without handle)

JIM158XYC, JIM159XYC – 14⁷/₈" x 33³/₄" x 25" (depth without handle)

DIMENSIONS AS INSTALLED



MODEL #		JIM158XYR JIM159XYR JIM158XYC JIM159XYC	
		in	cm
A*	Height to top of door (min.)	33 ³ / ₄	85.6
	Height to top of handle (min.) Pro-Style® Stainless**	31 ³ / ₄	80.6
B*	Euro-Style Stainless	31 ¹ / ₂	79.9
	Custom panel	†	†
C*	Height to top of grille (min.)	4	10.1
D*	Height of recessed ice machine (min.)	33 ³ / ₄	85.7
E	Depth with door open 90° (min.)	38	96.6
	Depth with handle (min.) Pro-Style® Stainless**	26 ¹ / ₂	67.3
	Euro-Style Stainless	26	65.9
F	Custom panel	†	†
	Depth with door (min.)	24 ¹ / ₄	61.5
G	Depth with custom panel (min.) [‡]	25	63.5
	Depth without door (min.)	22 ³ / ₈	56.7
H	Depth without door (min.)	22 ³ / ₈	56.7
I	Depth of grille (min.)	20 ³ / ₈	51.8

*Add 1" (2.5 cm) to the height dimension when leveling legs are fully extended.

**Requires optional Pro-Style® Stainless handle kit – W10591217. Each kit includes one Pro-Style® badge and one handle.

†For custom panel models, this depends on handle chosen.

‡Includes recommended ³/₄" (1.9 cm) custom panel thickness (JIM158XYC, JIM159XYC).

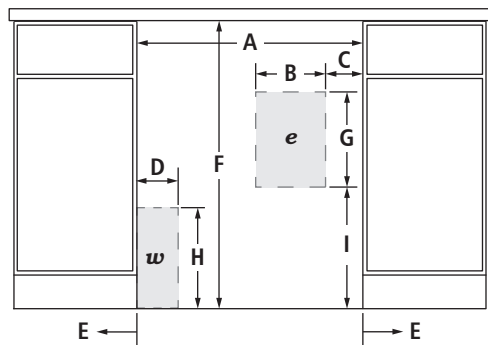
IMPORTANT: Dimensional specifications are provided for planning purposes only. Do not make any cutouts based on this information. Refer to the Installation Guide before selecting cabinetry, verifying electrical/gas connections, making cutouts or beginning installation. All Jenn-Air® appliances are appropriately UL, CUL or CSA approved.

15" ICE MACHINES

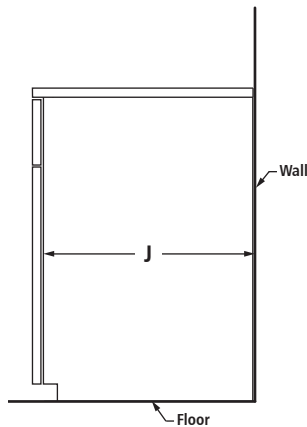
JIM158XYR, JIM159XYR – 14⁷/₈" x 33³/₄" x 24¹/₄" (depth without handle)

JIM158XYC, JIM159XYC – 14⁷/₈" x 33³/₄" x 25" (depth without handle)

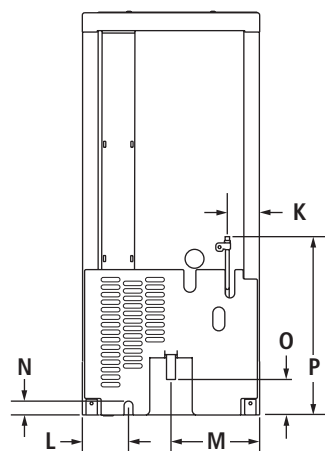
OPENING/CLEARANCE DIMENSIONS



FRONT VIEW



SIDE VIEW



BACK VIEW

MODEL #	JIM158XYR JIM159XYR JIM158XYC JIM159XYC	
	in	cm
A	Width (min.)	15 38.1
	Width without hinge side spacer option (min.)	15 38.1
	Width with hinge side spacer option (min.)	15 ³ / ₄ * 40.0*
B	Width of outlet location	6 15.0
C	Outlet location – distance from side	1 2.5
D	Width of water connection location	3 ¹ / ₂ 8.9
E	Minimum width from hinged side of ice machine to fixed wall – door open 90°	2 5.1
	Minimum width from hinged side of ice machine to fixed wall – door fully open 180° (JIM158XYR)	13 ¹ / ₄ 33.7
	Minimum width from hinged side of ice machine to fixed wall – door fully open 118° (JIM158XYC)	6 ⁷ / ₈ 17.4
F	Height (min.)	34 86.4
G	Height of outlet location	8 20.3
H	Height of water connection location	9 22.9
I	Outlet location – distance from bottom	12 30.5
J	Depth of cabinet (min.)	24 61.0
K	Water line location – distance from side	2 ³ / ₄ 7.0
L	Power supply – distance from side	3 ⁵ / ₈ 9.3
M	Drain hose – distance from side (no pump)	3 ⁵ / ₈ 8.7
	Drain hose – distance from side (with pump)	5 ³ / ₄ 14.6
N	Power supply – distance from bottom	1 ¹ / ₈ 2.9
O	Drain hose – distance from bottom (no pump)	7 ¹ / ₄ 18.6
	Drain hose – distance from bottom (with pump)	10 ¹ / ₂ 26.7
P	Water line location – distance from bottom	14 ³ / ₈ 36.7
e	Recommended electrical connection location	
w	Recommended water connection location	

*Install ³/₄" (1.9 cm) front hinge-side spacer flush with face of adjacent cabinet and ³/₄" (1.9 cm) back hinge-side spacer 6" (15.2 cm) from back wall.

ELECTRICAL REQUIREMENTS

115 volt, 60 Hz, AC only, 15- or 20-amp fused, grounded circuit is required. A dedicated circuit is recommended. Use an outlet that cannot be turned off by a switch. Do not use an extension cord.

WATER PRESSURE REQUIREMENTS

A cold water supply with water pressure between 30 and 120 psi (207 and 827 kPa) is required to operate the ice maker. Call a licensed, qualified plumber with any questions about the water pressure.

Reverse Osmosis Water Supply

IMPORTANT: The use of a reverse osmosis system with this product is not recommended. However if you do use reverse osmosis, follow these instructions. Reverse osmosis systems will not work at all with auxiliary drain pump 1901A.

IMPORTANT: The pressure of the water coming out of a reverse osmosis system going to the water inlet valve of the ice machine needs to be between 30 and 120 psi (207 and 827 kPa).

If a reverse osmosis water filtration system is connected to the cold water supply, the water pressure to the reverse osmosis system needs to be a minimum of 40 to 60 psi (276 to 414 kPa).

GRAVITY DRAIN SYSTEM REQUIREMENTS

The center of the drain should be 23" (58.4 cm) from the front of the door and centered 7³/₈" (18.6 cm) from left to right.

IMPORTANT: Dimensional specifications are provided for planning purposes only. Do not make any cutouts based on this information. Refer to the Installation Guide before selecting cabinetry, verifying electrical/gas connections, making cutouts or beginning installation. All Jenn-Air® appliances are appropriately UL, CUL or CSA approved.

