

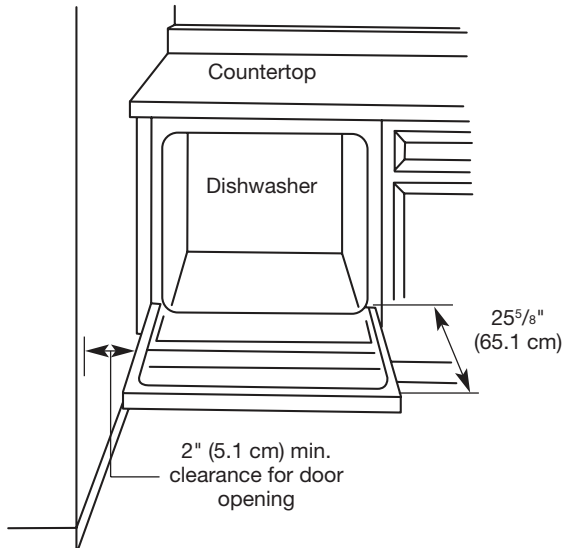
Undercounter Dishwasher

PRODUCT MODEL NUMBERS

UDT518SAFP

Location Requirements

There must be a minimum of 25⁵/₈" (65.1 cm) in front of dishwasher to allow door to open fully.



Electrical Requirements

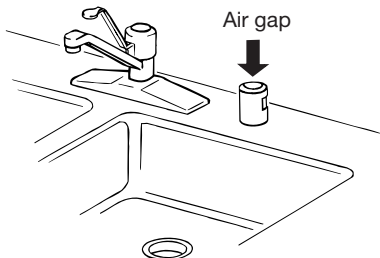
- 120 volt, 60 Hz, AC-only, 15 or 20 amp., fused electrical supply
- Wiring must be 2-wire with ground

We recommend:

- A time-delay fuse or circuit breaker
- A separate circuit

Drain Requirements

- Use the new drain hose supplied with your dishwasher. If this is not long enough, use a new drain hose with a maximum length of 10 ft (3.05 m) that meets all current AHAM/IAPMO test standards, is resistant to heat and detergent, use 5/8" (1.58 cm) or 7/8" (2.2 cm) inside diameter hose and a coupler to connect the two hose ends. Secure the connection with 2 clamps.
- Connect drain hose to waste tee or disposer inlet above drain trap in house plumbing and 32" (81.3 cm) minimum above the floor. It is recommended that the drain hose either be looped up and securely fastened to the underside of the counter, or be connected to an air gap.
- Use an air gap if the drain hose is connected to house plumbing lower than 18" (45.7 cm) above floor.

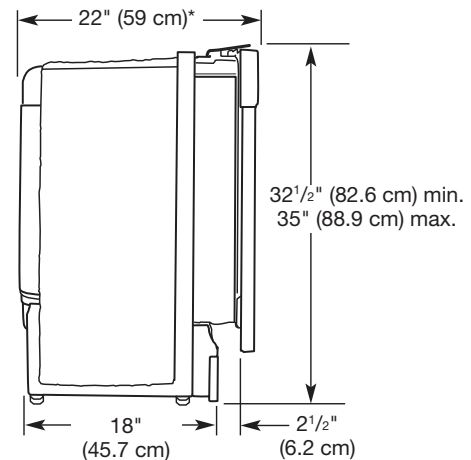


- Use 1/2" minimum I.D. drain line fittings.
- Do not connect drain lines from other devices to the dishwasher drain hose.

Water Supply Requirements

- A hot water line with 20-120 psi (138-862 kPa) water pressure.
- 120°F (49°C) water at dishwasher.
- 3/8" O.D. copper tubing with compression fitting or flexible stainless steel braided fill line (1/2" minimum plastic tubing is not recommended).
- A 90° elbow with 3/8" N.P.T. external pipe threads on one end. Do not solder within 6" (15.2 cm) from water inlet valve.

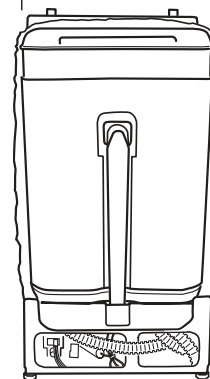
Product Dimensions



*To front of door frame

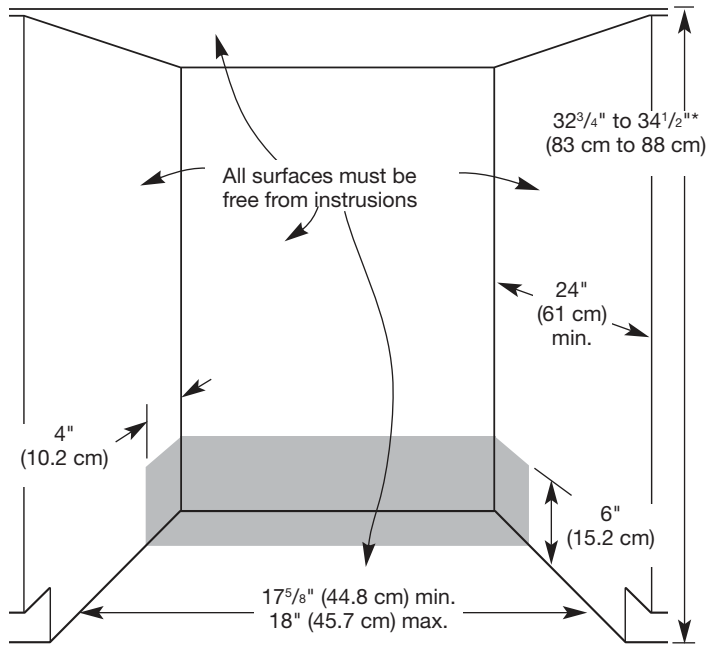
SIDE VIEW

17 1/2" (44.5 cm) min.
18" (45.7 cm) max.



REAR VIEW

Cabinet Cutout Dimensions



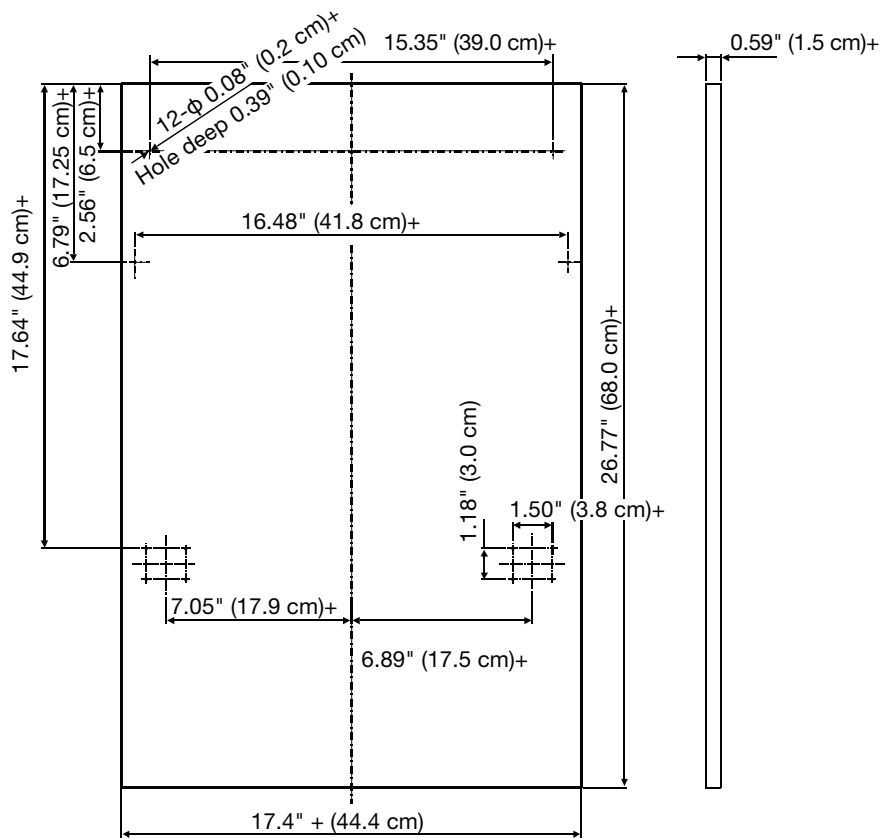
Cut holes in shaded area of cabinet walls or floor for plumbing and electrical service.

NOTE: ADA installation, $32\frac{1}{2}''$ (82.5 cm) beneath $34''$ (86.4 cm) high countertops may be accomplished by adjusting the toe-kick and leveling legs.

* Underside of countertop to floor

Custom Panel Dimensions and Installation

Custom panel should be constructed according to diagram below.



Install the hook on the custom wood panel and insert the hook into the slot on the outer door of the dishwasher. After positioning the panel, attach the panel to the outer door with screws and bolts.