

48" Commercial-Style Wall-Mount Canopy Range Hood

KVWC958JSS

Available Finishes/Colours



Match the performance of your commercial-style range or rangetop with the powerful airflow of this 48-inch wall-mount canopy range hood. A 108K BTU threshold allows this vent hood to keep up with high-heat cooking on multiple burners. Two food warming heat lamps keep finished dishes ready-to-serve, so your entire meal gets to the table at the same time.

Dimensions

Depth	25
Width	48

Configuration and Overview

Hood Type	Wall Canopy
-----------	-------------

Controls

Control Location	Hidden
Control Type	Slide Controls

Features

Lighting Control Type	Slider
Number of Night Light Settings	1
Task Lighting	Yes
Night Light	No

Ventilation System

Blower Type	Centrifugal
Duct Direction	Vertical

Ventilation System

Duct Type	Round
HVI (CFM HS Horizontal)	N/A
Auto Function	Auto On
HVI (CFM HS Vertical)	530/950
Blower Motor	Blower Motor to be Purchased Separately
Filters	Grease Filters
HVI (Sones HS Horizontal)	N/A
Duct Outlet Size (in.)	10
HVI (Sones HS Vertical)	10/12.5
Venting	Exterior
Duct Length	13.000
Exhaust Vent Location	Top

Top Features

Three-Speed Fan

Requires 585 or 1170 CFM Motor Class - Sold Separately

90,000 BTU Rating

Manuals & Literature:

- [Dimension Guide](#)
- [Owner Manual](#)
- [Warranty Information](#)

KitchenAid® Range Hood - 36" (91.4 cm) and 48" (121.9 cm)

PRODUCT MODEL NUMBERS

KXW9736Y KXW9748Y

Electrical Requirements:

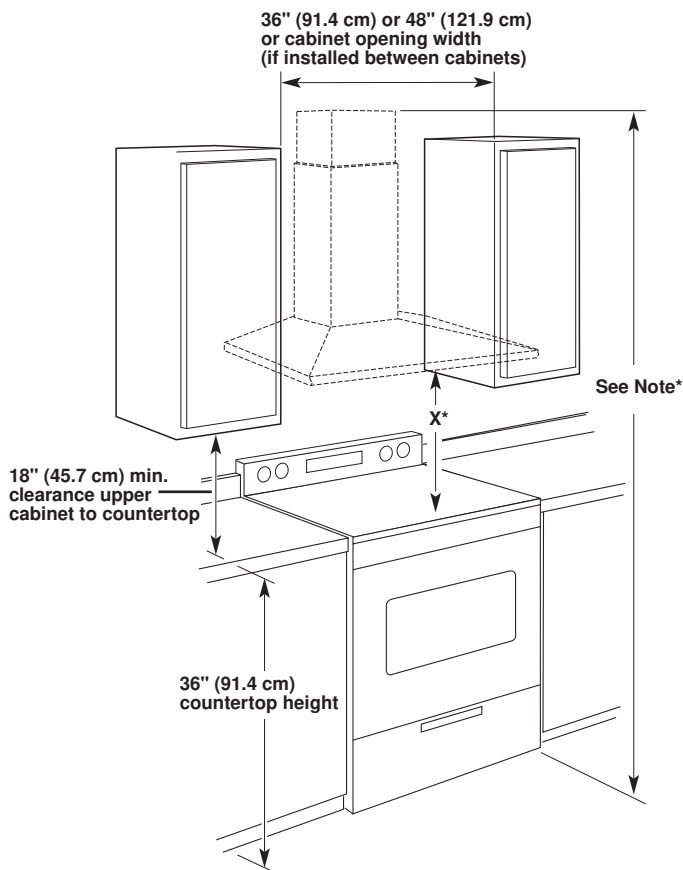
A 120 volt, 60 Hz., AC only, 15-amp, fused electrical circuit is required.

If the house has aluminum wiring, follow the procedure below:

1. Connect a section of solid copper wire to the pigtail leads.
2. Connect the aluminum wiring to the added section of copper wire using special connectors and/or tools designed and UL listed for joining copper to aluminum.

Follow the electrical connector manufacturer's recommended procedure. Aluminum/copper connection must conform with local codes and industry accepted wiring practices.

CABINET OPENING DIMENSIONS



IMPORTANT:

Minimum distance "X": 24" (61 cm) from electric cooking surfaces

Minimum distance "X": 30" (76.2 cm) from gas cooking surfaces

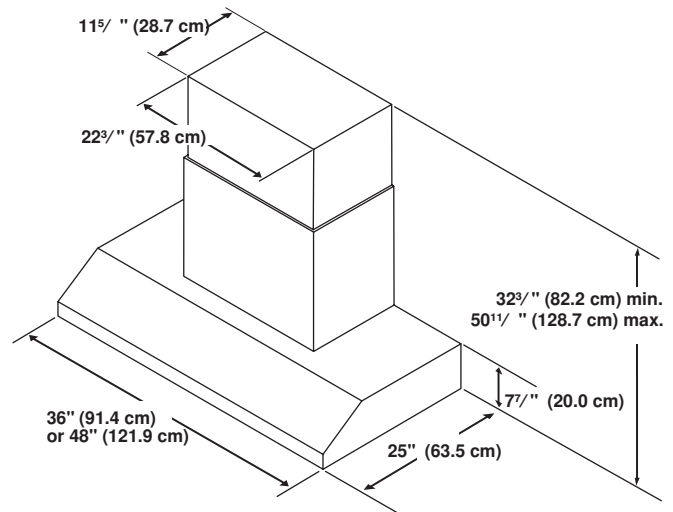
The chimneys can be adjusted for different ceiling heights. See the following chart.

Vented Installations		
	Min. ceiling height	Max. ceiling height
Electric cooking surface	7' 9" (2.36 m)	10' 2" (3.1 m)
Gas cooking surface	8' 3" (2.51 m)	10' 2" (3.1 m)

* **NOTE:** The range hood chimneys are adjustable and designed to meet varying ceiling or soffit heights depending on the distance "X" between the bottom of the range hood and the cooking surface. For higher ceilings, an Extension Kit Part Number W10352733 is available from your dealer or an authorized parts distributor. The chimney extension replaces the upper chimney shipped with the range hood.

PRODUCT DIMENSIONS

Vented Installations



VENTING REQUIREMENTS

Vent system must terminate to the outdoors.

Do not terminate the vent system in an attic or other enclosed area.

Do not use 4" (10.2 cm) laundry-type wall caps.

Use metal vent only. Rigid metal vent is recommended. Plastic or metal foil vent is not recommended.

The length of vent system and number of elbows should be kept to a minimum to provide efficient performance.

For the most efficient and quiet operation:

Use no more than three 90° elbows.

Make sure there is a minimum of 24" (61.0 cm) of straight vent between the elbows if more than 1 elbow is used.

Do not install 2 elbows together.

Use clamps to seal all joints in the vent system.

The vent system must have a damper. If the roof or wall cap has a damper, do not use the damper supplied with the range hood.

Use caulking to seal exterior wall or roof opening around the cap.

The size of the vent should be uniform.

Venting Methods

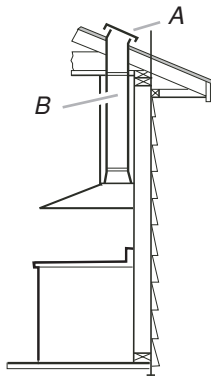
Typical Internal Blower Motor System Venting Installations

A 10" (25.4 cm) round vent system is needed for installation (not included). The range hood exhaust opening is 10" (25.4 cm) round.

NOTE: Flexible vent is not recommended. Flexible vent creates back pressure and air turbulence that greatly reduce performance.

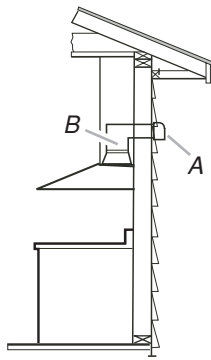
Vent system can terminate either through the roof or wall. To vent through the wall, a 90° elbow is needed.

Roof Venting



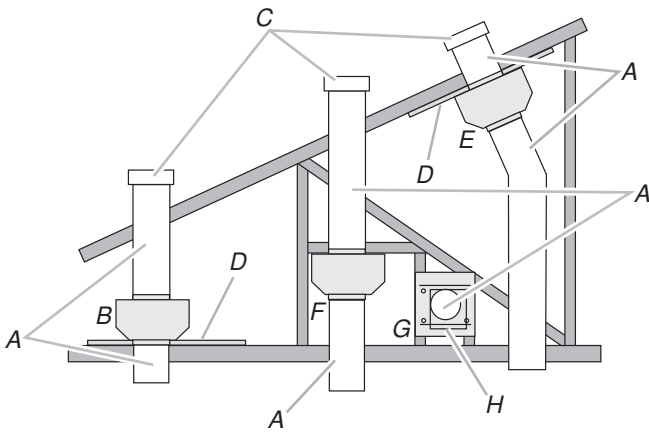
A. Roof cap
B. 10" (25.4 cm) round vent

Wall Venting



A. Wall cap
B. 10" (25.4 cm) round vent

Typical In-line Blower Motor System Venting Installations



- A. 10" (25.4 cm) round vent
- B. Mount on top of ceiling joists.
- C. Roof caps
- D. Plywood (optional on some installations)
- E. Mount on underside of roof rafters.
- F. Mount from cross-members tied to trusses.
- G. Duct horizontal; mount to cross-members tied to trusses.
- H. Wall cap

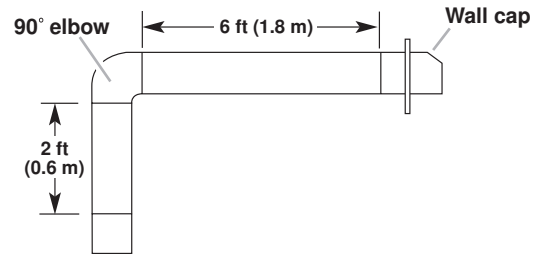
Calculating Vent System Length

To calculate the length of the system you need, add the equivalent feet (meters) for each vent piece used in the system.

Vent Piece	Equivalent Length
45° elbow	2.5 ft (0.8 m)
90° elbow	5.0 ft (1.5 m)

The maximum equivalent vent lengths are:
10" (25.4 cm) round vent - 60 ft (18.3 m)

Example vent system



The following example falls within the maximum recommended vent length.

1 - 90° elbow	= 5.0 ft (1.5 m)
1 - wall cap	= 0.0 ft (0.0 m)
8 ft (2.4 m) straight	= 8.0 ft (2.4 m)
Length of system	= 13.0 ft (3.9 m)