

# 48" Commercial-Style Wall-Mount Canopy Range Hood

KVWC908JSS

## Available Finishes/Colours



### Dimensions

Depth	25
Width	48

### Configuration and Overview

Hood Type	Wall Canopy
-----------	-------------

### Controls

Control Location	Hidden
Control Type	Slide Controls

### Features

Lighting Control Type	Slider
Number of Night Light Settings	1
Task Lighting	Yes
Damper Included	Yes
Night Light	No

### Ventilation System

Blower Type	Centrifugal
-------------	-------------

### Ventilation System

Auto Function	Auto On
Blower Motor	Blower Motor to be Purchased Separately
Filters	Grease Filters
Duct Outlet Size (in.)	10
Venting	Exterior
Duct Length	13.000
Exhaust Vent Location	Rear,Top
Duct Direction	Vertical or Horizontal
Duct Type	Rectangular
Sound Max Speed (Sones)	12.5
Vent Fan Location	Side
Maximum Motor Exhaust Rating Cubic Feet per Minute (CFM)	1170

Match the performance of your commercial-style range or rangetop with the powerful airflow of this 48-inch wall-mount canopy range hood. A 108K BTU threshold allows this vent hood to keep up with high-heat cooking on multiple burners at the same time. The 3-Speed Hidden Slide Control provides a clean look to coordinate with your kitchen style.

### Top Features

**Three-Speed Fan**

**Requires 585 or 1170 CFM Motor Class - Sold Separately**

**90,000 BTU Rating**

### Manuals & Literature:

- [Dimension Guide](#)
- [Owner Manual](#)
- [Warranty Information](#)

# KitchenAid® 30", 36" and 48" (76.2 cm, 91.4 cm and 121.9 cm) Commercial Style Wall-Mount Canopy Range Hood

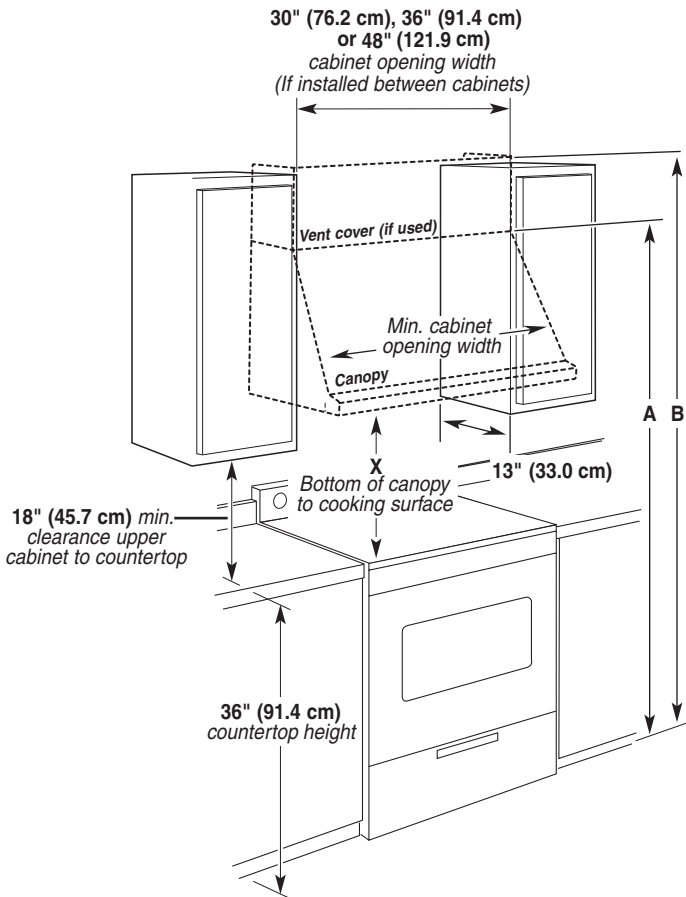
## PRODUCT MODEL NUMBERS

KXW8730Y      KXW8736Y      KXW8748Y

## Electrical Requirements:

- A 120 volt, 60 Hz., AC only, 15-amp, fused electrical circuit is required.
- If the house has aluminum wiring, follow the procedure below:
  1. Connect a section of solid copper wire to the pigtail leads.
  2. Connect the aluminum wiring to the added section of copper wire using special connectors and/or tools designed and UL listed for joining copper to aluminum.
 Follow the electrical connector manufacturer's recommended procedure. Aluminum/copper connection must conform with local codes and industry accepted wiring practices.

## INSTALLATION DIMENSIONS



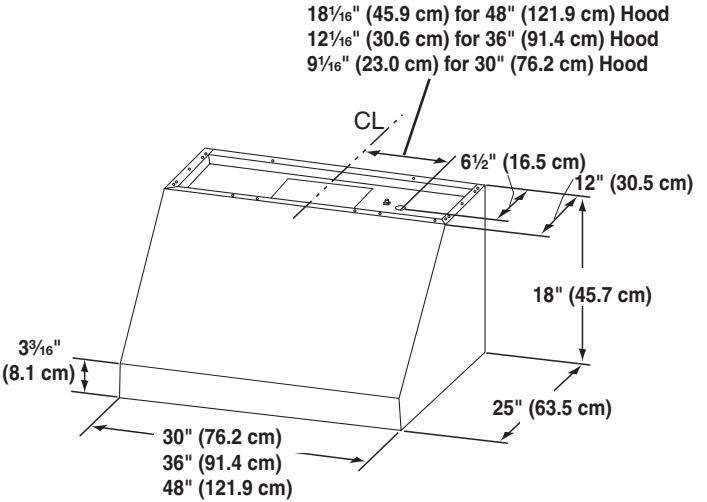
- A. For installations with canopy only:  
 78" (198.1 cm) minimum above electric cooking surface  
 84" (213.4 cm) minimum above gas cooking surface
- B. For installations with optional duct cover:  
 90" (228.6 cm) minimum above electric cooking surface  
 96" (243.8 cm) minimum above gas cooking surface

## IMPORTANT:

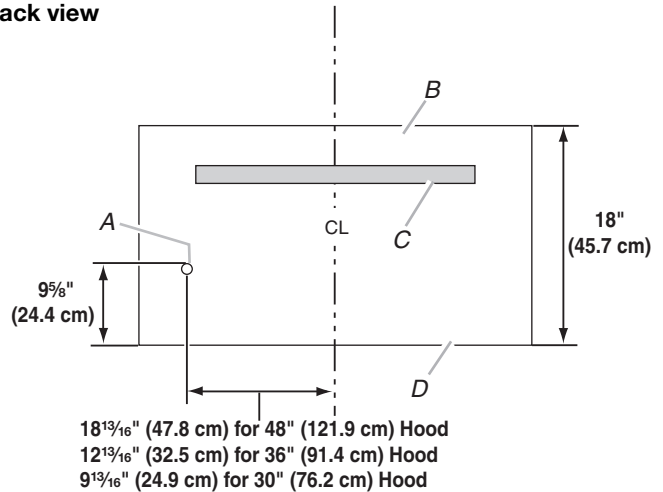
Minimum distance "X": 24" (61 cm) from electric cooking surfaces  
 Minimum distance "X": 30" (76.2 cm) from gas cooking surfaces  
 Suggested maximum distance "X": 36" (91.4 cm)

## PRODUCT DIMENSIONS

### Front view

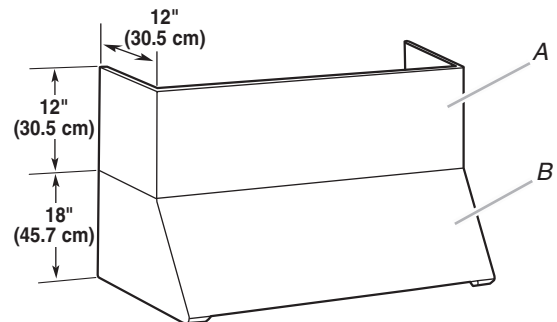


### Back view



- A. Knockout into terminal box  
 B. Top of hood  
 C. Wood support  
 D. Bottom of hood

## Optional Full-Width Duct Cover Installations



- A. Optional full-width duct cover  
 B. Range hood

## VENTING REQUIREMENTS

- Vent system must terminate to the outdoors.
- Do not terminate the vent system in an attic or other enclosed area.
- Do not use 4" (10.2 cm) laundry-type wall caps.
- Use metal vent only. Rigid metal vent is recommended. Plastic or metal foil vent is not recommended.
- The length of vent system and number of elbows should be kept to a minimum to provide efficient performance.

### For the most efficient and quiet operation:

- Use no more than three 90° elbows.
- Make sure there is a minimum of 24" (61.0 cm) of straight vent between the elbows if more than 1 elbow is used.
- Do not install 2 elbows together.
- Use clamps to seal all joints in the vent system.
- The vent system must have a damper. If the roof or wall cap has a damper, do not use the damper supplied with the range hood.
- Use caulking to seal exterior wall or roof opening around the cap.
- The size of the vent should be uniform.

## Venting Methods

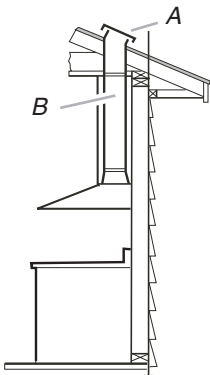
### Typical Internal Blower Motor System Venting Installations

A 10" (25.4 cm) round vent system is needed for installation (not included). The hood exhaust opening is 10" (25.4 cm) round.

**NOTE:** Flexible vent is not recommended. Flexible vent creates back pressure and air turbulence that greatly reduce performance.

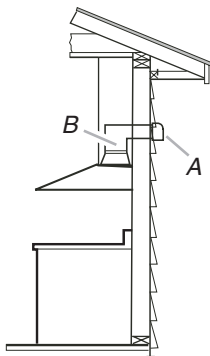
Vent system can terminate either through the roof or wall.

#### Roof Venting



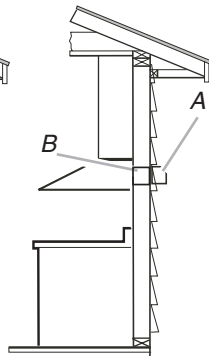
A. Roof cap  
B. 10" (25.4 cm) round vent

#### Wall Venting



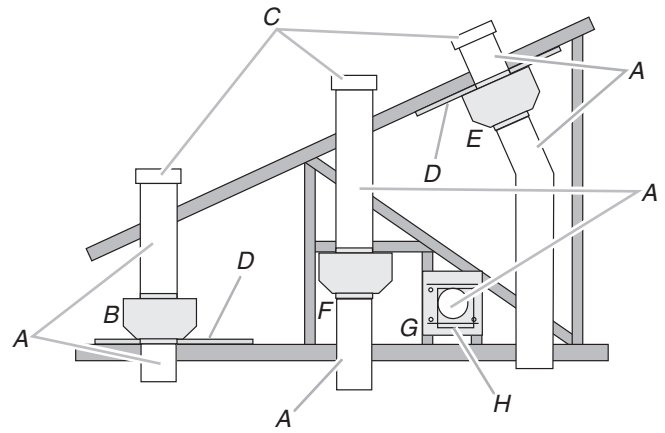
A. Wall cap  
B. 10" (25.4 cm) round vent

#### Wall Venting



A. Wall cap  
B. 10" (25.4 cm) round vent

## Typical In-line Blower Motor System Venting Installations



- A. 10" (25.4 cm) round vent
- B. Mount on top of ceiling joists.
- C. Roof caps
- D. Plywood (optional for some installations)
- E. Mount on underside of roof rafters.
- F. Mount from cross-members tied to trusses.
- G. Duct horizontal; mount to cross-members tied to trusses.
- H. Wall cap

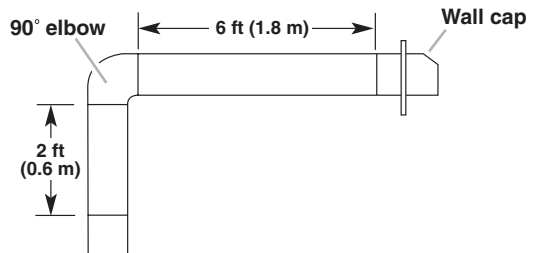
### Calculating Vent System Length

To calculate the length of the system you need, add the equivalent feet (meters) for each vent piece used in the system.

Vent Piece	Equivalent Length
45° elbow	2.5 ft (0.8 m)
90° elbow	5.0 ft (1.5 m)

The maximum equivalent vent lengths are:  
10" (25.4 cm) round vents - 60 ft (18.3 m)

### Example vent system



The following example falls within the maximum recommended vent length.

1 - 90° elbow	= 5.0 ft (1.5 m)
1 - wall cap	= 0.0 ft (0.0 m)
8 ft (2.4 m) straight	= 8.0 ft (2.4 m)
<b>Length of system</b>	<b>= 13.0 ft (3.9 m)</b>