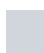


## Kitchenaid® 36 Wall-Mount, 3-Speed Canopy Hood

KVWB606HBS

### Available Finishes/Colours

 KVWB606DSS  
Stainless Steel

 KVWB606HBS  
Black Stainless Steel with  
PrintShield™ Finish



The power of this 36-inch vent hood effectively vents most cooking surfaces. One of the premium features of this vent hood is auto speed sensing which ensures that the ventilation system is working efficiently by automatically changing the speed of the fan to best match the dish you are preparing. The sharp, glass-touch display showcases easy-to-use touch controls.

### Top Features

**4-Speed Electronic Glass Touch Control**

**Power Boost Function**

**Auto Speed Setting**

### Manuals & Literature:

 [Dimension Guide](#)  [Installation Guide](#)

 [Owner Manual](#)  [Warranty Information](#)

Dimensions		Features	
Depth	19.69	Task Light Type	LED
Height	24.63	Task Lighting	Yes
Width	36.0		
Ventilation System			
		Auto Function	Yes
		Cfm Motor Class	585
		Duct Direction	Vertical
		Duct Outlet Size In	6
		Duct Type	Round
		Filters	Grease Filters
		Number Of Speeds	3
		Venting	Exterior or Recirculating
Controls			
Control Type	Electronic		
Specifications			
Country Of Origin	Mexico		
Optional Accessories	EXTKIT14HBS, W11430925, W10692945, W10446915		
Electrical			
Amps	15		
Volts	120		
Features			
Night Light	Yes		
Night Light Type	Halogen		

### PRODUCT MODEL NUMBERS

KVWB600D KVWB606D

**Electrical:** A 120 volt, 60 Hz., AC only, 15-amp, fused electrical circuit is required.

### VENTING METHODS

This canopy range hood is factory set for venting through the roof or through the wall.

A 6" (15.2 cm) round vent system is needed for installation (not included). The hood exhaust opening is 6" (15.2 cm) round.

**NOTE:** Flexible vent is not recommended. Flexible vent creates back pressure and air turbulence that greatly reduce performance.

Vent system can terminate either through the roof or wall. To vent through a wall, a 90° elbow is needed.

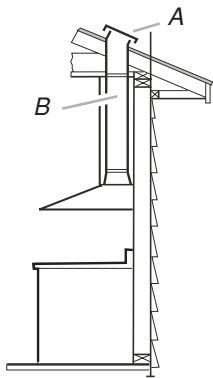
### Rear Discharge

A 90° elbow may be installed immediately above the hood.

### For Non-Vented (Recirculating) Installations

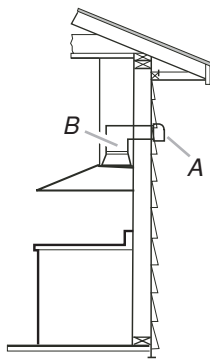
If it is not possible to vent cooking fumes and vapors to the outside, the hood can be used in the non-vented (recirculating) version, using a Recirculation Kit (which includes charcoal filters and a deflector). To order, see the "Assistance or Service" section.

#### Roof Venting



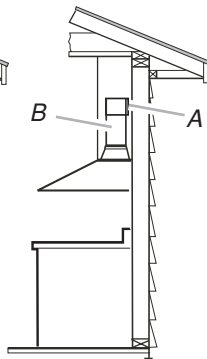
A. Roof cap  
B. 6" (15.2 cm) round vent

#### Wall Venting



A. Wall cap  
B. 6" (15.2 cm) round vent

#### Non-Vented (Recirculating)



A. Diverter  
B. 6" (15.2 cm) round vent

### Calculating Vent System Length

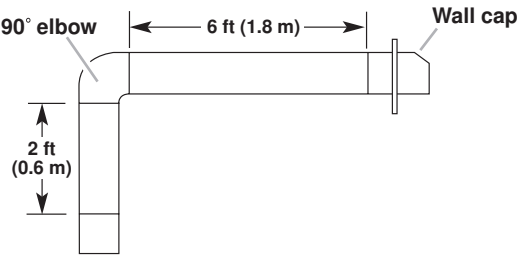
To calculate the length of the system you need, add the equivalent feet (meters) for each vent piece used in the system.

#### Vent System

Vent Piece	6" (15.2 cm) Round
45° elbow	2.5 ft (0.8 m)
90° elbow	5.0 ft (1.5 m)

Maximum equivalent vent length is 35 ft (10.7 m).

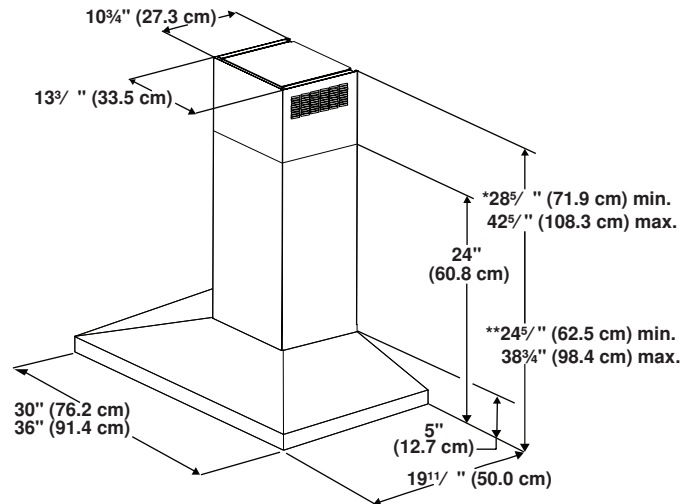
### Example Vent System



The following example falls within the maximum recommended vent length of 35 ft (10.7 m).

1 - 90° elbow	= 5.0 ft (1.5 m)
1 - wall cap	= 0.0 ft (0.0 m)
8 ft (2.4 m) straight	= 8.0 ft (2.4 m)
<b>Length of system</b>	<b>= 13.0 ft (3.9 m)</b>

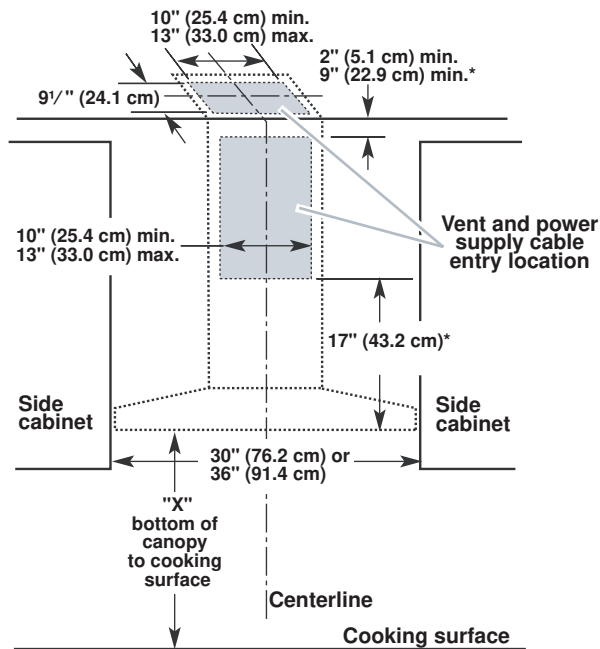
### PRODUCT DIMENSIONS



\*For non-vented (recirculating) installations

\*\*For vented installations

## CABINET DIMENSIONS



\*For non-vented (recirculating) installations

### IMPORTANT:

Minimum distance "X": 24" (61.0 cm) from electric cooking surface.

Minimum distance "X": 27" (68.6 cm) from gas cooking surfaces.

Suggested maximum distance "X": 36" (91.4 cm)

The chimneys can be adjusted for different ceiling heights. See the following chart.

Vented Installations		
	Min. ceiling height	Max. ceiling height
Electric cooking surface	7' 1" (2.16 m)	9' 2" (2.79 m)
Gas cooking surface	7' 4" (2.23 m)	9' 2" (2.79 m)
Non-vented (recirculating) Installations		
	Min. ceiling height	Max. ceiling height
Electric cooking surface	7' 1" (2.16 m)	9' 6" (2.9 m)
Gas cooking surface	7' 4" (2.23 m)	9' 6" (2.9 m)

**\*NOTE:** The range hood chimneys are adjustable and designed to meet varying ceiling or soffit heights depending on the distance "X" between the bottom of the range hood and the cooking surface. For higher ceilings, a Chimney Extension Kit is available from your dealer or an authorized parts distributor. The chimney extension replaces the chimney shipped with the range hood. To order, see the "Assistance or Service" section.