

# KitchenAid®

## 30" (76.2 CM) AND 36" (91.4 CM) COMMERCIAL STYLE WALL-MOUNT CANOPY RANGE HOOD

### Installation Instructions and Use & Care Guide

For questions about features, operation/performance, parts, accessories or service, call: **1-800-422-1230**  
or visit our website at [www.kitchenaid.com](http://www.kitchenaid.com)

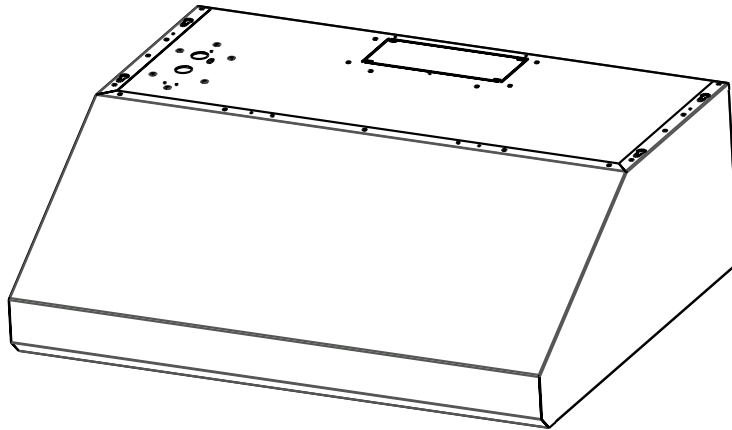
In Canada, for assistance, installation and service, call: **1-800-807-6777**  
or visit our website at [www.kitchenaid.ca](http://www.kitchenaid.ca)

## HOTTE D'EXTRACTION À MONTAGE MURAL DE STYLE COMMERCIAL DE 30 PO (76,2 CM) ET 36 PO (91,4 CM)

### Instructions d'installation et Guide d'utilisation et d'entretien

Pour des questions à propos des caractéristiques, du fonctionnement/rendement, des pièces, accessoires ou service, composez le **1-800-422-1230**  
ou visiter notre site Web au [www.kitchenaid.com](http://www.kitchenaid.com).

Au Canada, pour assistance, installation ou service, composez le **1 800 807-6777**  
ou visiter notre site Internet au [www.kitchenaid.ca](http://www.kitchenaid.ca).



**IMPORTANT: READ AND SAVE THESE INSTRUCTIONS.  
FOR RESIDENTIAL USE ONLY.**

**IMPORTANT : LIRE ET CONSERVER CES INSTRUCTIONS.  
POUR UTILISATION RÉSIDENIELLE UNIQUEMENT.**

## TABLE OF CONTENTS

RANGE HOOD SAFETY .....	2
INSTALLATION REQUIREMENTS.....	4
Tools and Parts.....	4
Location Requirements.....	4
Venting Requirements.....	5
Electrical Requirements.....	6
INSTALLATION INSTRUCTIONS.....	7
Prepare Location.....	7
Install Range Hood.....	9
Make Electrical Connection.....	9
RANGE HOOD USE.....	10
Range Hood Controls.....	10
Install Vent Covers (Optional).....	10
Complete Installation.....	10
RANGE HOOD CARE.....	11
Cleaning.....	11
WIRING DIAGRAM.....	12
ASSISTANCE OR SERVICE.....	13
In the U.S.A.....	13
Accessories.....	13
In Canada.....	13

## TABLE DES MATIÈRES

SÉCURITÉ DE LA HOTTE.....	14
EXIGENCES D'INSTALLATION.....	16
Outils et pièces.....	16
Exigences d'emplacement.....	16
Exigences d'évacuation.....	17
Spécifications électriques.....	18
INSTRUCTIONS D'INSTALLATION.....	19
Préparation de l'emplacement.....	19
Installation de la hotte.....	21
Raccordement électrique.....	21
UTILISATION DE LA HOTTE.....	22
Commandes de la hotte.....	22
Installation des cache-conduits (facultatif).....	22
Terminer l'installation.....	22
ENTRETIEN DE LA HOTTE.....	23
Nettoyage.....	23
SCHÉMA DE CÂBLAGE.....	24
ASSISTANCE OU DÉPANNAGE.....	25
Aux É.-U.....	25
Accessoires.....	25
Au Canada.....	25
Remarques.....	26

## RANGE HOOD SAFETY

### Your safety and the safety of others are very important.

We have provided many important safety messages in this manual and on your appliance. Always read and obey all safety messages.



This is the safety alert symbol.

This symbol alerts you to potential hazards that can kill or hurt you and others.

All safety messages will follow the safety alert symbol and either the word "DANGER" or "WARNING."

These words mean:

**⚠ DANGER**

**You can be killed or seriously injured if you don't immediately follow instructions.**

**⚠ WARNING**

**You can be killed or seriously injured if you don't follow instructions.**

All safety messages will tell you what the potential hazard is, tell you how to reduce the chance of injury, and tell you what can happen if the instructions are not followed.

# IMPORTANT SAFETY INSTRUCTIONS

**WARNING:** TO REDUCE THE RISK OF FIRE, ELECTRIC SHOCK, OR INJURY TO PERSONS, OBSERVE THE FOLLOWING:

- Use this unit only in the manner intended by the manufacturer. If you have questions, contact the manufacturer.
- Before servicing or cleaning unit, switch power off at service panel and lock the service disconnecting means to prevent power from being switched on accidentally. When the service disconnecting means cannot be locked, securely fasten a prominent warning device, such as a tag, to the service panel.
- Installation work and electrical wiring must be done by qualified person(s) in accordance with all applicable codes and standards, including fire-rated construction.
- Do not operate any fan with a damaged cord or plug. Discard fan or return to an authorized service facility for examination and/or repair.
- Sufficient air is needed for proper combustion and exhausting of gases through the flue (chimney) of fuel burning equipment to prevent back drafting. Follow the heating equipment manufacturer's guideline and safety standards such as those published by the National Fire Protection Association (NFPA), and the American Society for Heating, Refrigeration and Air Conditioning Engineers (ASHRAE), and the local code authorities.
- When cutting or drilling into wall or ceiling, do not damage electrical wiring and other hidden utilities.
- Ducted fans must always be vented to the outdoors.

**CAUTION:** For General Ventilating Use Only. Do Not Use To Exhaust Hazardous Or Explosive Materials And Vapors.

**CAUTION:** To reduce risk of fire and to properly exhaust air, be sure to duct air outside -Do not vent exhaust air into spaces within walls or ceilings or into attics, crawl spaces, or garages.

**WARNING:** TO REDUCE THE RISK OF FIRE, USE ONLY METAL DUCTWORK.

**WARNING:** TO REDUCE THE RISK OF A RANGE TOP GREASE FIRE:

- Never leave surface units unattended at high settings. Boilovers cause smoking and greasy spillovers that may ignite. Heat oils slowly on low or medium settings.
- Always turn hood ON when cooking at high heat or when flaming food (i.e. Crepes Suzette, Cherries Jubilee, Peppercorn Beef Flambé).
- Clean ventilating fans frequently. Grease should not be allowed to accumulate on fan or filter.
- Use proper pan size. Always use cookware appropriate for the size of the surface element.

**WARNING:** TO REDUCE THE RISK OF INJURY TO PERSONS IN THE EVENT OF A RANGE TOP GREASE FIRE, OBSERVE THE FOLLOWING<sup>a</sup>:

- SMOTHER FLAMES with a close-fitting lid, cookie sheet, or metal tray, then turn off the burner. BE CAREFUL TO PREVENT BURNS. If the flames do not go out immediately, EVACUATE AND CALL THE FIRE DEPARTMENT.
- NEVER PICK UP A FLAMING PAN - You may be burned.
- DO NOT USE WATER, including wet dishcloths or towels - a violent steam explosion will result.
- Use an extinguisher ONLY if:
  - You know you have a Class ABC extinguisher, and you already know how to operate it.
  - The fire is small and contained in the area where it started.
  - The fire department is being called.
  - You can fight the fire with your back to an exit.

Based on "Kitchen Fire Safety Tips" published by NFPA.

■ **WARNING:** To Reduce The Risk Of Fire Or Electric Shock, Do Not Use This Fan With Any Solid-State Speed Control Device.

- This appliance is not intended for use by persons (including children) with reduced physical, sensory or mental capabilities, or lack of experience and knowledge, unless they have been given supervision or instruction concerning use of the appliance by a person responsible for their safety.

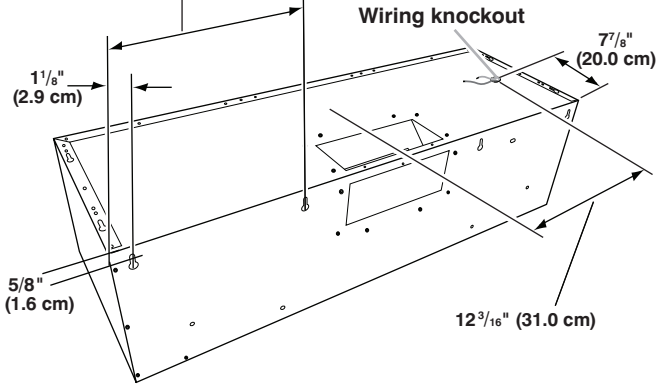
## READ AND SAVE THESE INSTRUCTIONS



**Back view**

**30" (76.2 cm) models: 12<sup>1</sup>/<sub>4</sub>" (31.1 cm)**  
**36" (91.4 cm) models: 15" (38.1 cm)**

7" (17.8 cm): 30" (76.2 cm) models  
 9<sup>7</sup>/<sub>8</sub>" (25.0 cm): 36" (91.4 cm) models



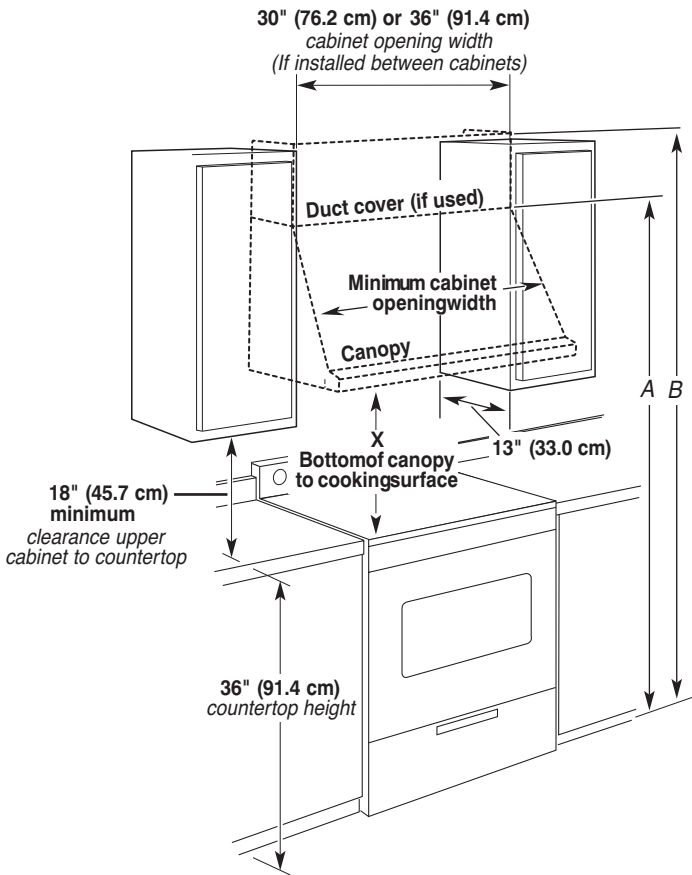
**Venting Requirements**

- Vent system must terminate to the outdoors.
- Do not terminate the vent system in an attic or other enclosed area.
- Do not use a 4" (10.2 cm) laundry-type wall cap.
- Use metal vent only. Rigid metal vent is recommended.
- The length of vent system and number of elbows should be kept to a minimum to provide efficient performance.

**For the most efficient and quiet operation:**

- Use no more than three 90° elbows.
- Make sure there is a minimum of 24" (61.0 cm) of straight vent between the elbows if more than 1 elbow is used.
- Do not install 2 elbows together.
- Use clamps to seal all joints in the vent system.
- The vent system must have a damper. If roof or wall cap has a damper, do not use damper supplied with the range hood.
- Use caulking to seal exterior wall or roof opening around the cap.
- The size of the vent should be uniform.

**Cabinet Dimensions**



**A. For installations with canopy only.**  
 70" (177.8 cm) minimum above electric cooking surface.  
 76" (193.0 cm) minimum above gas cooking surface.

**B. For installations with optional duct cover.**  
 82" (208.3 cm) minimum above electric cooking surface.  
 88" (223.5 cm) minimum above gas cooking surface.

**Cold Weather Installations**

An additional back draft damper should be installed to minimize backward cold air flow and a thermal break should be installed to minimize conduction of outside temperatures as part of the vent system. The damper should be on the cold air side of the thermal break.

The break should be as close as possible to where the vent system enters the heated portion of the house.

**Makeup Air**

Local building codes may require the use of makeup air systems when using ventilation systems greater than specified CFM of air movement. The specified CFM varies from locale to locale. Consult your HVAC professional for specific requirements in your area.

**Venting Methods**

This canopy hood is factory set for venting through the roof or wall.

A 3<sup>1</sup>/<sub>4</sub>" x 10" (8.3 x 25.4 cm) rectangular vent system is needed for installation (not included). The hood exhaust opening is 3<sup>1</sup>/<sub>4</sub>" x 10" (8.3 x 25.4 cm). Vent system can terminate either through the roof or wall. To vent out of the top of the range hood and through a wall, a 90° elbow is needed. See "Install Range Hood" section for details for installing the damper.

**NOTE:** Flexible vent is not recommended. Flexible vent creates back pressure and air turbulence that gently reduce performance.

**IMPORTANT:**

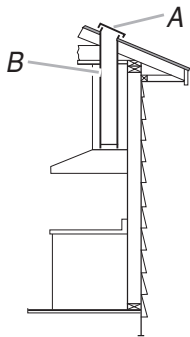
Minimum distance "X" : 24" (61.0 cm) to electric cooking surface and 30" (76.2 cm) to gas cooking surface.

Suggested maximum distance "X" : 36" (91.4 cm)

## Rear discharge

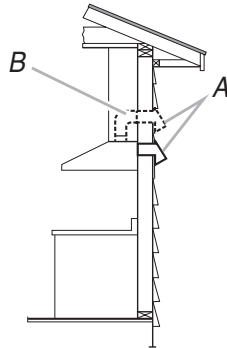
This range hood can be vented directly out the back using the 3¼" x 10" (8.3 cm x 25.4 cm) rectangular damper (supplied) along with a 3¼" x 10" (8.3 cm x 25.4 cm) rectangular vent system (not supplied). See "Install Range Hood" section for details for installing the damper.

### Roof Venting



A. Roof cap  
B. 3¼" x 10" (8.3 x 25.4 cm) rectangular metal vent

### Wall Venting (top or rear discharge)





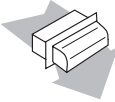
A. Wall cap  
B. 3¼" x 10" (8.3 x 25.4 cm) rectangular metal vent

## Calculating Vent System Length

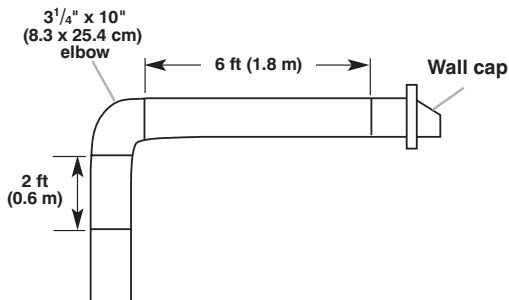
To calculate the length of the system you need, add the equivalent feet (meters) for each vent piece used in the system.

### 3¼" x 10" (8.3 cm x 25.4 cm) Vent System

#### Vent Piece

3¼" x 10" (8.3 cm x 25.4 cm) 90° elbow	5.0 ft (1.5 m)	
3¼" x 10" (8.3 cm x 25.4 cm) flat elbow	12.0 ft (3.7 m)	
3¼" x 10" (8.3 cm x 25.4 cm) wall cap	0.0 ft (0.0 m)	

## Example vent system



<b>Maximum Recommended Length</b>	<b>= 35 ft (10.7 m)</b>
1 - 90° elbow	= 5.0 ft (1.5 m)
8 ft (2.4 m) straight	= 8.0 ft (2.4 m)
1 - wall cap	= 0.0 ft (0.0 m)
Length of 3¼" x 10" (8.3 cm x 25.4 cm) system	= 13.0 ft (3.9 m)

## Electrical Requirements

Observe all governing codes and ordinances.

Ensure that the electrical installation is adequate and in conformance with National Electrical Code, ANSI/NFPA 70 (latest edition), or CSA Standards C22.1-94, Canadian Electrical Code, Part 1 and C22.2 No. 0-M91 (latest edition) and all local codes and ordinances.

If codes permit and a separate ground wire is used, it is recommended that a qualified electrician determine that the ground path is adequate.

A copy of the above code standards can be obtained from:

National Fire Protection Association  
One Batterymarch Park  
Quincy, MA 02269  
CSA International  
8501 East Pleasant Valley Road  
Cleveland, OH 44131-5575

- A 120 V, 60 Hz, AC only, 15 A, fused electrical circuit is required.
- If the house has aluminum wiring, follow the procedure below:  
Connect the aluminum wiring using special connectors and/or tools designed and UL listed for joining copper to aluminum.  
Follow the electrical connector manufacturer's recommended procedure. Aluminum/copper connection must conform with local codes and industry accepted wiring practices.
- Wire sizes and connections must conform with the rating of the appliance as specified on the model/serial rating plate. The model/serial plate is located behind the filter on the rear wall of the range hood.
- Wire sizes must conform to the requirements of the National Electrical Code, ANSI/NFPA 70 (latest edition), or CSA Standards C22.1-94, Canadian Electrical Code, Part 1 and C22.2 No. 0-M91 (latest edition) and all local codes and ordinances.

# INSTALLATION INSTRUCTIONS

## Prepare Location

- It is recommended that the vent system be installed before hood is installed.
  - If you are installing a full width duct cover, follow the instructions included with that product.
  - Before making cutouts, make sure there is proper clearance within the ceiling or wall for exhaust vent.
  - Check your ceiling height and the hood height maximum before you select your hood.
1. Disconnect power.
  2. Determine which venting method to use: roof or wall.
  3. Select a flat surface for assembling the range hood. Place covering over that surface.

### **WARNING**

#### **Excessive Weight Hazard**

**Use two or more people to move and install range hood.**

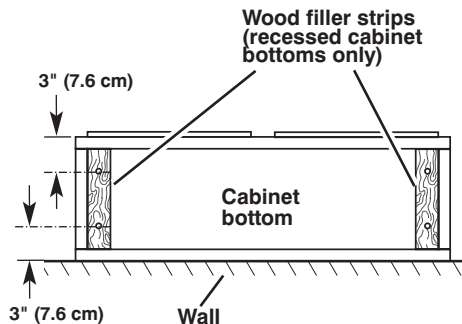
**Failure to do so can result in back or other injury.**

4. Using 2 or more people, lift range hood onto covered surface.

**NOTE:** This range hood can be mounted to the cabinets or to the wall.

### For Cabinet Installations

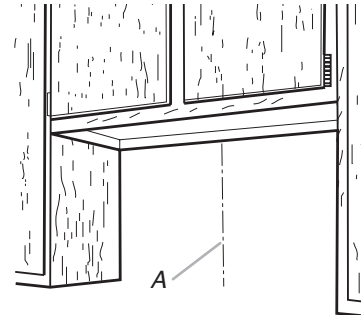
If cabinet has recessed bottom, add wood filler strips on each side. Install screws to attach filler strips in locations shown.



### Determine Wiring Hole Location

Cut only one 1 $\frac{1}{4}$ " (3.2 cm) diameter wiring access hole. See Step 2 for wiring hole location instructions.

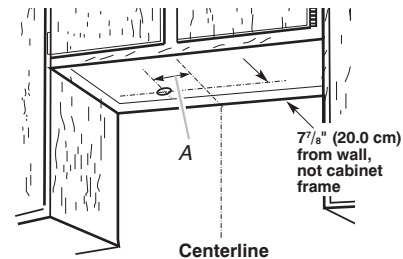
1. Determine and clearly mark a vertical centerline on the wall and cabinet in the area the vent opening will be made.



A. Centerline

2. To wire through top:

Mark a line distance "A" from the left of the centerline on the underside of the cabinet. Mark the point on this line that is 7 $\frac{7}{8}$ " (20.0 cm) from back wall. Drill a 1 $\frac{1}{4}$ " (3.2 cm) diameter hole through the cabinet at this point.



A. 12 $\frac{3}{16}$ " (31.0 cm)

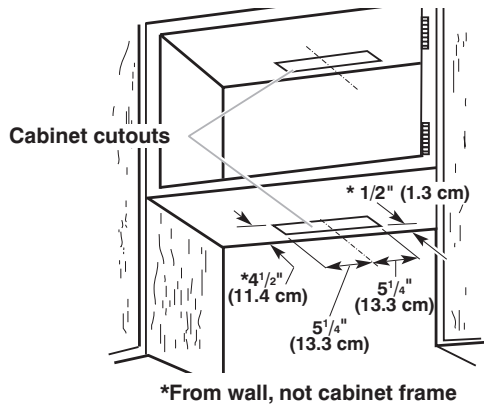
### Cut Openings for 3 $\frac{1}{4}$ " x 10" (8.3 cm x 25.4 cm) Rectangular Vent System

#### Roof Venting

To make a 4" x 10 $\frac{1}{2}$ " (10.2 cm x 26.7 cm) rectangular cutout on the underside of cabinet top and bottom:

1. Mark lines 1 $\frac{1}{2}$ " (1.3 cm) and 4 $\frac{1}{2}$ " (11.4 cm) from the back wall on the centerline of the underside of cabinet.
2. Mark lines 5 $\frac{1}{4}$ " (13.3 cm) to the right and left of the centerline on the underside of cabinet.
3. Use saber or keyhole saw to cut a rectangular opening for vent.

- Repeat steps 1-3 for the underside of the top of the cabinet.

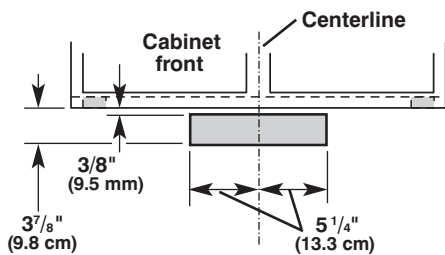


### Wall Venting Under Cabinet

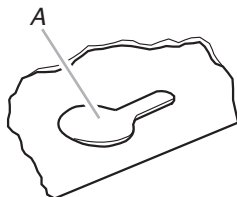
To make a 3 1/2" x 10 1/2" (8.9 cm x 26.7 cm) rectangle in the wall:

- Make 2 lines by measuring 3/8" (9.5 mm) and 3 7/8" (9.8 cm) down from underside of cabinet and mark on the centerline on the back wall.
- Mark lines 5 1/4" (13.3 cm) to the right and left of the centerline on the wall.

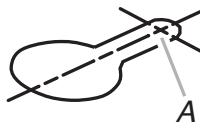
Use saber or keyhole saw to cut a rectangular opening in the wall for the vent.



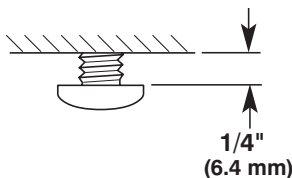
- Lift the range hood up under cabinet and determine final location by centering beneath cabinet. Mark on the underside of cabinet the location of the 4 keyhole mounting slots on the range hood. Set range hood aside on a covered surface.



- Use 1/8" (3 mm) drill bit and drill 4 pilot holes as shown.

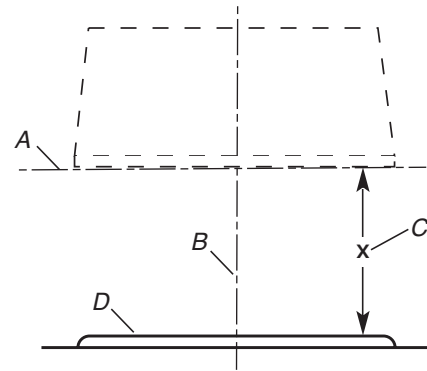


- Install the 4 - 4.5 x 13 mm mounting screws in pilot holes. Leave about 1/4" (6.4 mm) space between screw heads and cabinet to slide range hood into place.

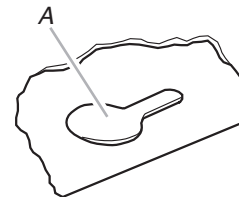


### For Wall Installations:

- Determine and mark the centerline on the wall where the canopy hood will be installed.
- Select a mounting height between a minimum of 24" (61.0 cm) for electric cooking surfaces and 30" (76.2 cm) for gas cooking surfaces. The suggested maximum height is 36" (91.4 cm) above the range to the bottom of the hood. Mark a horizontal reference line on the wall.
- Using 2 or more people, center the hood on the vertical centerline, then align the bottom of the hood with the horizontal reference line marked on the wall.

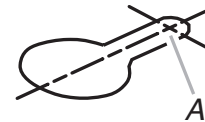


- Mark centers of the fastener locations to the wall. Set range hood aside on a covered surface.

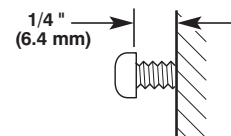


**IMPORTANT:** All screws must be installed into wood. If there is no wood to screw into, additional wall framing supports may be required.

- Drill 3/16" (4.8 mm) pilot holes at all locations where screws are being installed into wood.



- Install the 2 - 5 x 45 mm mounting screws. Leave a 1/4" (6.4 mm) gap between the wall and the back of the screw head to slide range hood into place.



- Determine and make all necessary cuts in the wall or ceiling for the vent system. Install the vent system before installing the hood. See "Venting Requirements" section.

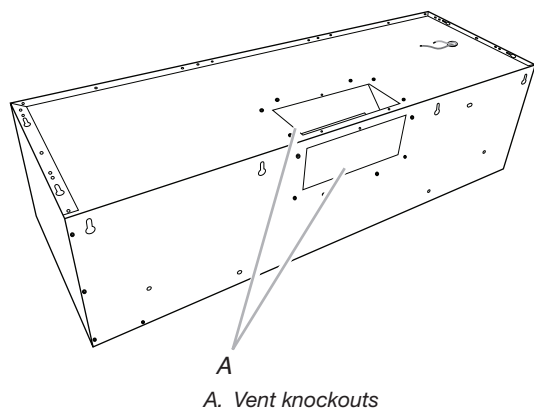


## Complete Preparation

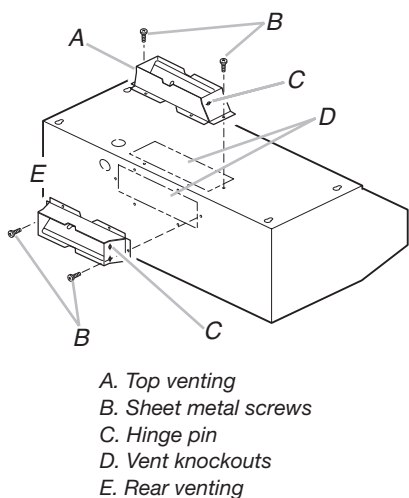
1. Determine the required height for the home power supply cable and drill a 1¼" (3.2 cm) hole at this location.
2. Run the home power supply cable according to the National Electrical Code or CSA Standards and local codes and ordinances. There must be enough 1/2" (1.3 cm) conduit and wires from the fused disconnect (or circuit breaker) box to make the connection in the hood's electrical terminal box.  
**NOTE:** Do not reconnect power until installation is complete.
3. Remove the grease filters. See the "Range Hood Care" section.
4. Remove terminal box cover and set aside.
5. Remove knockout from the top of the vent hood and install a UL listed or CSA approved 1/2" (1.3 cm) strain relief.

## Install Range Hood

1. Depending on your installation, remove either top or rear rectangular vent knockout.



2. Remove tape from damper flap.  
**NOTE:** The 3¼" x 10" (8.3 x 25.4 cm) rectangular damper can be installed up to 1" (2.5 cm) on either side of the hood center to accommodate off center duct work.
3. Attach the 3¼" x 10" (8.3 x 25.4 cm) rectangular vent connector to the range hood using sheet metal screws.



**NOTE:** If the wall cap is directly behind the 3¼" x 10" (8.3 x 25.4 cm) rectangular vent connector, check that the damper and the wall cap do not interfere with each other. Remove the damper from the 3¼" x 10" (8.3 x 25.4 cm) rectangular vent connector if they interfere.

4. Using 2 or more people, lift the hood into final position. Feed enough electrical wire through the 1/2" (1.3 cm) UL listed or CSA approved strain relief to make connections in the terminal box. Tighten the strain relief screws.
5. Position the range hood so that the large end of the keyhole slots are over the mounting screws. Then push the hood toward the wall (for cabinet mounting) or allow the range hood to slide down to the marked mounting height (for wall mounting) so that the screws are in the neck of the slots. Tighten the mounting screws, making sure the screws are in the narrow neck of slots. (For wall mount, check that the hood is level).
6. Connect ventwork to hood. Seal joints with clamps to make secure and airtight.
7. Check that back draft dampers work properly.

## Make Electrical Connection

### ⚠ WARNING



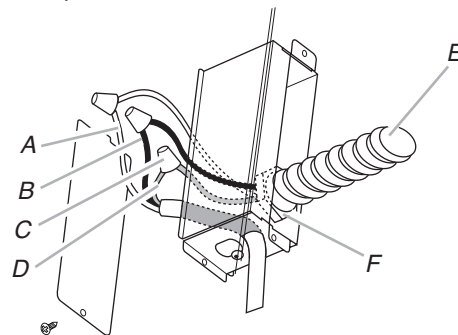
#### Electrical Shock Hazard

**Disconnect power before servicing.**

**Replace all parts and panels before operating.**

**Failure to do so can result in death or electrical shock.**


1. Disconnect power.



2. Use UL listed wire connectors and connect white wires (A) together.

- Use UL listed wire connectors and connect black wires (B) together.

**⚠ WARNING**



**Electrical Shock Hazard**

**Electrically ground blower.**

**Connect ground wire to green and yellow ground wire in terminal box.**

**Failure to do so can result in death or electrical shock.**

- Connect green (or bare) ground wire from home power supply to yellow-green ground wire (C) in terminal box using UL listed wire connectors.

- Install terminal box cover.
- Check that all light bulbs are secure in their sockets.
- Reconnect power.

### Install Vent Covers (Optional)

If you are installing an optional full width duct cover, follow the instructions included with that product.

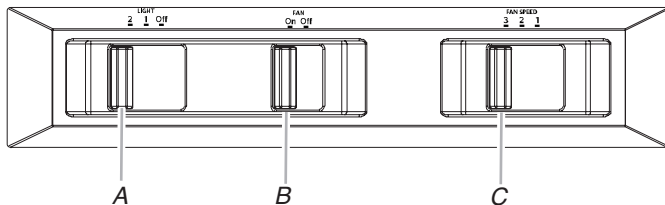
### Complete Installation

- Install metal grease filters. See the “Range Hood Care” section.
  - Check the operation of the range hood blower and light. See the “Range Hood Use” section.
- NOTE:** To get the most efficient use from your new range hood, read the “Range Hood Use” section.

## RANGE HOOD USE

The range hood is designed to remove smoke, cooking vapors and odors from the cooktop area. For best results, start the hood before cooking and allow it to operate several minutes after the cooking is complete to clear all smoke and odors from the kitchen.

The hood controls are located on the underside of the range hood.



A. Light control  
B. Blower control  
C. Fan speed control

### Range Hood Controls

#### Operating the light

- Move the light switch to the “1” position to turn range hood light to night light setting.
- Move the light switch to the “2” position to turn range hood light to full light setting.
- Move the light switch to the “Off” position to turn range hood light OFF.

**IMPORTANT:** Flicker and visual fluctuation can be present every time the lamp switch is activated. The duration of the flicker will depend on the manner and velocity that the light switch changes position.

#### Operating the fan

- Move the fan switch to the “On” position to turn the fan ON. The fan will begin operating at the speed set on the fan speed switch.
- Move the fan switch to the “Off” position to turn the fan OFF.

#### Auto On Fan

The range hood is equipped with a sensor to automatically turn on the fan when excessive heat is detected in the control area. When the fan switch is in the “Off” position, this sensor will turn the fan to high speed when necessary. When the heat decreases, the fan will turn off.

When the fan switch is in the “On” position, the heat sensor is not active and the range hood functions normally.

#### Adjusting the fan

The fan has 3 speed controls. Move the fan speed switch to “1” position for low speed, “2” position for medium speed, or “3” position for high speed.

#### Thermal Protector

The range hood is equipped with a thermal protector to avoid overheating conditions. If the range hood shuts off while in use, move fan slider switch to Off to turn off the range hood. Wait approximately 60 minutes, then move slider to On to restart the range hood.

# RANGE HOOD CARE

## Cleaning

**IMPORTANT:** Clean the hood and grease filters frequently according to the following instructions. Replace grease filters before operating hood.

### Exterior Surfaces:

To avoid damage to the exterior surface, do not use steel wool or soap-filled scouring pads.

Always wipe dry to avoid water marks.

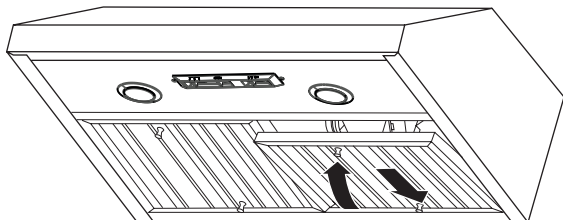
### Cleaning Method:

- Liquid detergent soap and water, or all purpose cleanser
- Wipe with damp soft cloth or nonabrasive sponge, then rinse with clean water and wipe dry.

## Metal Grease Filter

### To Remove Metal Grease Filters:

1. Use 2 hands to remove the metal grease filters. Grasp filter handles, push toward the rear of the range hood and pull down on the front handle to remove.



2. Repeat for each grease filter.
3. Wash metal grease filters as needed in a dishwasher or hand wash in a hot detergent solution to clean.

### To Reinstall Metal Grease Filters:

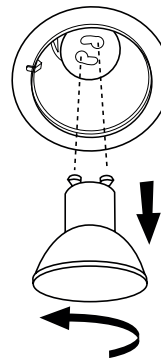
1. Grasp filter handles and place rear of filter into rear track.
2. Push down on the rear handle and set the front of the grease filter into the front track to secure.
3. Repeat for each filter.

## Replacing a LED Lamp

Turn off the range hood and allow the LED lamp to cool. To avoid damage or decreasing the life of the new bulb, do not touch bulb with bare fingers. Replace bulb, using tissue or wearing cotton gloves to handle bulb.

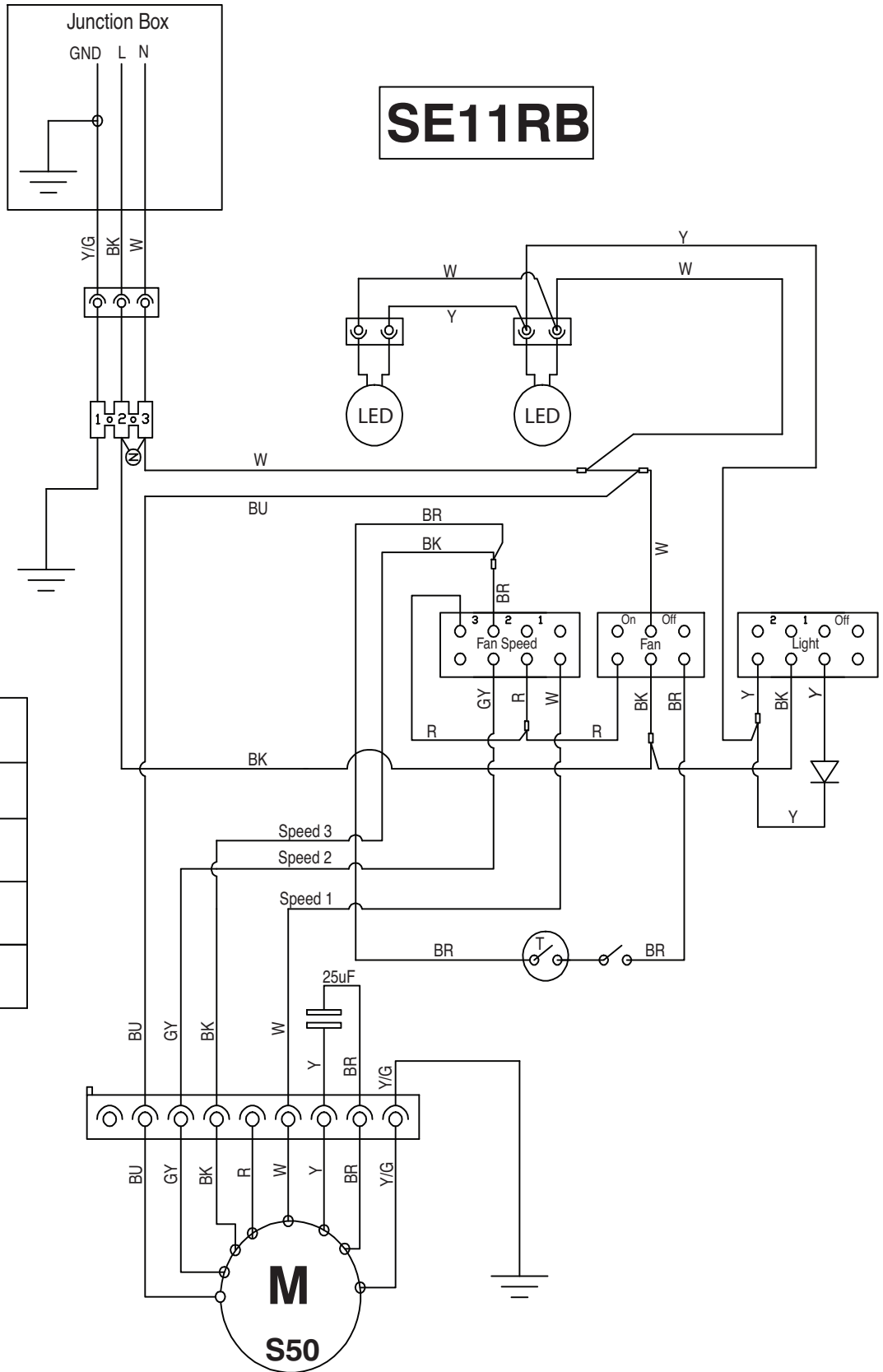
If new lamps do not operate, make sure the lamps are inserted correctly before calling service.

1. Disconnect power.
2. Push up on the lens and turn it counterclockwise.



3. Remove the bulb and replace it with a 120 V, 6.5 W maximum LED bulb with a GU10 base. Turn it clockwise to lock it into place.
4. Repeat steps 2-3 for the other bulb if needed.
5. Reconnect power.

# WIRING DIAGRAM



**SE11RB**

Motor Resistance (Ohms)	
Blue - Red	18
Blue - Gray	14.3
Blue - Black	9.8 (maximum)
Blue - White	21.6 (minimum)
Room Temp.	41°F (23°C)

Motor Characteristics	
Power Supply	120 VAC
Frequency	60 HZ
Power Absorption	420 W
Current	3.7 A

---

# ASSISTANCE OR SERVICE

When calling for assistance or service, please know the purchase date and the complete model and serial number of your appliance. This information will help us to better respond to your request.

## If you need replacement parts

If you need to order replacement parts, we recommend that you use only factory specified parts. Factory specified parts will fit right and work right because they are made with the same precision used to build every new appliance. To locate factory specified replacement parts in your area, call us or your nearest designated service center.

---

## In the U.S.A.

Call the KitchenAid Customer eXperience Center toll free: **1-800-422-1230**.

### Our consultants provide assistance with:

- Features and specifications on our full line of appliances.
- Installation information.
- Use and maintenance procedures.
- Accessory and repair parts sales.
- Specialized customer assistance (Spanish speaking, hearing impaired, limited vision, etc.).
- Referrals to local dealers, repair parts distributors and service companies. KitchenAid designated service technicians are trained to fulfill the product warranty and provide after-warranty service, anywhere in the United States.  
To locate the KitchenAid designated service company in your area, you can also look in your telephone directory Yellow Pages.

### For further assistance

If you need further assistance, you can write to KitchenAid with any questions or concerns at:

KitchenAid Brand Home Appliances  
Customer eXperience Center  
553 Benson Road  
Benton Harbor, MI 49022-2692

Please include a daytime phone number in your correspondence.

---

## Accessories

### Full Width Chimney Cover

Order Part Number EXTKIT02ES for 30" (76.2 cm) model

Order Part Number EXTKIT04ES for 36" (91.4 cm) model

---

## In Canada

Call the KitchenAid Canada Customer eXperience Centre toll free: **1-800-807-6777**.

### Our consultants provide assistance with:

- Features and specifications on our full line of appliances.
- Use and maintenance procedures.
- Accessory and repair parts sales.
- Referrals to local dealers, repair parts distributors and service companies. KitchenAid Canada designated service technicians are trained to fulfill the product warranty and provide after-warranty service, anywhere in Canada.

### For further assistance

If you need further assistance, you can write to KitchenAid Canada with any questions or concerns at:

Customer eXperience Centre  
KitchenAid Canada  
200 - 6750 Century Ave.  
Mississauga, Ontario L5N 0B7

Please include a daytime phone number in your correspondence.

# SÉCURITÉ DE LA HOTTE

## Votre sécurité et celle des autres est très importante.

Nous donnons de nombreux messages de sécurité importants dans ce manuel et sur votre appareil ménager. Assurez-vous de toujours lire tous les messages de sécurité et de vous y conformer.



Voici le symbole d'alerte de sécurité.

Ce symbole d'alerte de sécurité vous signale les dangers potentiels de décès et de blessures graves à vous et à d'autres.

Tous les messages de sécurité suivront le symbole d'alerte de sécurité et le mot "DANGER" ou "AVERTISSEMENT". Ces mots signifient :

**⚠ DANGER**

**Risque possible de décès ou de blessure grave si vous ne suivez pas immédiatement les instructions.**

**⚠ AVERTISSEMENT**

**Risque possible de décès ou de blessure grave si vous ne suivez pas les instructions.**

Tous les messages de sécurité vous diront quel est le danger potentiel et vous disent comment réduire le risque de blessure et ce qui peut se produire en cas de non-respect des instructions.

# IMPORTANTES INSTRUCTIONS DE SÉCURITÉ

**AVERTISSEMENT :** POUR RÉDUIRE LE RISQUE D'INCENDIE, DE DÉCHARGE ÉLECTRIQUE OU DE BLESSURES, RESPECTER LES INSTRUCTIONS SUIVANTES :

- Utiliser cet appareil uniquement selon les modalités d'utilisation prévues par le fabricant. Pour toute question, contacter le fabricant.
- Avant d'entreprendre une opération d'entretien ou de nettoyage sur l'appareil, interrompre l'alimentation de l'appareil au panneau de distribution et verrouiller ce dernier pour empêcher tout rétablissement accidentel de l'alimentation du circuit. Lorsqu'il n'est pas possible de verrouiller le tableau de distribution, placer sur ce dernier une étiquette d'avertissement bien en vue interdisant le rétablissement de l'alimentation.
- Tout travail d'installation ou câblage électrique doit être réalisé par une personne qualifiée, dans le respect des prescriptions de tous les codes et toutes les normes applicables, y compris les codes du bâtiment et de protection contre les incendies.
- Ne pas faire fonctionner un ventilateur dont le cordon ou la fiche est endommagé. Jeter le ventilateur ou le retourner à un centre de service agréé pour examen ou réparation.
- Une source d'air de débit suffisant est nécessaire pour que la combustion et l'évacuation des gaz puissent s'effectuer correctement par la cheminée de l'appareil à gaz, afin d'éviter tout reflux des gaz de combustion. Respecter les directives du fabricant de l'équipement de chauffage et les prescriptions des normes de sécurité – comme celles publiées par la National Fire Protection Association (NFPA) et l'American Society for Heating, Refrigeration and Air Conditioning Engineers (ASHRAE), ainsi que les prescriptions des autorités réglementaires locales.
- Lors des opérations de découpage et de perçage dans un mur ou un plafond, ne pas endommager les câblages électriques et les canalisations qui peuvent s'y trouver.
- Les ventilateurs d'évacuation doivent toujours décharger l'air vers l'extérieur.

**MISE EN GARDE :** Cet appareil est conçu uniquement pour la ventilation générale. Ne pas l'utiliser pour l'extraction de matières ou vapeurs dangereuses ou explosives.

**MISE EN GARDE :** Pour réduire le risque d'incendie et évacuer adéquatement les gaz, acheminer l'air aspiré par un conduit jusqu'à l'extérieur – ne pas décharger l'air aspiré dans un espace vide du bâtiment comme une cavité murale, un plafond, un grenier, un vide sanitaire ou un garage.

**AVERTISSEMENT :** POUR RÉDUIRE LE RISQUE D'INCENDIE, UTILISER UNIQUEMENT DES CONDUITS MÉTALLIQUES.

**AVERTISSEMENT :** POUR RÉDUIRE LE RISQUE D'UN FEU DE GRAISSE SUR LA CUISINIÈRE :

- Ne jamais laisser un élément de surface fonctionner à puissance maximale sans surveillance. Un renversement/débordement de matière grasseuse peut provoquer des flammes et générer de la fumée. Chauffer l'huile à une puissance moyenne ou basse.
- Veiller à toujours faire fonctionner le ventilateur de la hotte lors de la cuisson avec une puissance élevée ou lors de la cuisson d'un mets à flamber (à savoir crêpes Suzette, cerises jubiléées, steak au poivre flambé).
- Nettoyer fréquemment le ventilateur d'extraction. Veiller à ne pas laisser la graisse s'accumuler sur les surfaces du ventilateur ou des filtres.
- Utiliser toujours un ustensile de taille appropriée. Utiliser toujours un ustensile adapté à la taille de l'élément chauffant.

**AVERTISSEMENT :** POUR RÉDUIRE LE RISQUE DE BLESSURES APRÈS LE DÉCLENCHEMENT D'UN FEU DE GRAISSE SUR LA CUISINIÈRE, RESPECTER LES RECOMMANDATIONS SUIVANTES<sup>®</sup>:

- Placer sur le récipient un couvercle bien ajusté, une tôle à biscuits ou un plateau métallique POUR ÉTOUFFER LES FLAMMES, puis éteindre le brûleur. VEILLER À ÉVITER LES BRÛLURES. Si les flammes ne s'éteignent pas immédiatement, ÉVACUER LA PIÈCE ET APPELER LES POMPIERS.
- NE JAMAIS PRENDRE EN MAIN UN RÉCIPENT ENFLAMMÉ – Vous risquez de vous brûler.
- NE PAS UTILISER D'EAU ni de torchon humide – ceci pourrait provoquer une explosion de vapeur brûlante.
- Utiliser un extincteur SEULEMENT si :
  - Il s'agit d'un extincteur de classe ABC, dont on connaît le fonctionnement.
  - Il s'agit d'un petit feu encore limité à l'endroit où il s'est déclaré.
  - Les pompiers ont été contactés.
  - Il est possible de garder le dos orienté vers une sortie pendant l'opération de lutte contre le feu.

Recommandations tirées des conseils de sécurité en cas d'incendie de cuisine publiés par la NFPA.

- **AVERTISSEMENT :** Pour réduire le risque d'incendie ou de décharge électrique, ne pas utiliser ce ventilateur avec un dispositif de réglage de la vitesse à semi-conducteurs.
- Cet appareil n'est pas prévu pour être utilisé par des personnes (y compris les enfants) dont les capacités physiques, sensorielles ou mentales sont réduites, ou des personnes dénuées d'expérience ou de connaissances, sauf si elles ont pu bénéficier, par l'intermédiaire d'une personne responsable de leur sécurité, d'une surveillance ou d'instructions préalables concernant l'utilisation de l'appareil.

## LIRE ET CONSERVER CES INSTRUCTIONS

# EXIGENCES D'INSTALLATION

## Outils et pièces

Rassembler les outils et pièces nécessaires avant d'entreprendre l'installation. Lire et observer les instructions fournies avec chacun des outils de la liste ci-dessous.

### Outils nécessaires

- Niveau
- Perceuse avec forets de 5 ¼ po (3,0 cm), 3/16 po (4,8 mm), 1/8 po (3,0 mm) et 1/16 po (7,9 mm)
- Crayon
- Pince à dénuder ou couteau à lame rétractable
- Ruban à mesurer ou règle
- Pince
- Pistolet à calfeutrage et calfeutrant étanche
- Brides de conduit
- Scie sauteuse ou scie à guichet
- Tournevis à tête plate
- Cisaille à métaux
- Tournevis à tête cruciforme
- Ensemble de clés à tête hexagonale (système métrique)

### Pièces nécessaires

- Câble d'alimentation électrique du domicile
- Serre-câbles de 1/2 po (12,7 mm) (homologation UL ou CSA)
- 3 connecteurs de fils homologués UL
- 1 bouche de décharge (décharge à travers le mur ou à travers le toit)
- Circuit d'évacuation métallique

### Pièces fournies

Retirer les pièces de leur emballage. Vérifier que toutes les pièces sont présentes.

- Auvent de hotte avec ventilateur et lampes installés
- Connecteur 3 1/4 po x 10 po (8,3 x 25,4 cm) pour conduit rectangulaire
- 2 filtres à graisse métalliques, pour modèle de 30 po (76,2 cm)
- 3 filtres à graisse métalliques, pour modèle de 36 po (91,4 cm)
- Adaptateur Torx®† T20
- 4 vis de montage de 5 x 45 mm
- 6 vis de 4,5 x 13 mm
- 3 vis de 4 x 8 mm
- 4 chevilles d'ancrage de 10 x 50

## Exigences d'emplacement

**IMPORTANT :** Observer les dispositions de tous les codes et règlements en vigueur.

Confier l'installation de la hotte à un technicien qualifié. C'est à l'installateur qu'incombe la responsabilité de respecter les distances de séparation spécifiées sur la plaque signalétique. La plaque signalétique de l'appareil est située derrière le filtre de gauche, sur la paroi arrière de la hotte.

On doit toujours installer la hotte à distance des sources de courant d'air (fenêtres, portes et bouches de chauffage).

Respecter les dimensions indiquées pour les ouvertures à découper dans les meubles. Ces dimensions représentent les valeurs minimales des dégagements.

Une prise électrique avec liaison à la terre est nécessaire. Voir la section « Spécifications électriques ».

La hotte est configurée à l'usine pour une décharge à travers le toit ou un mur.

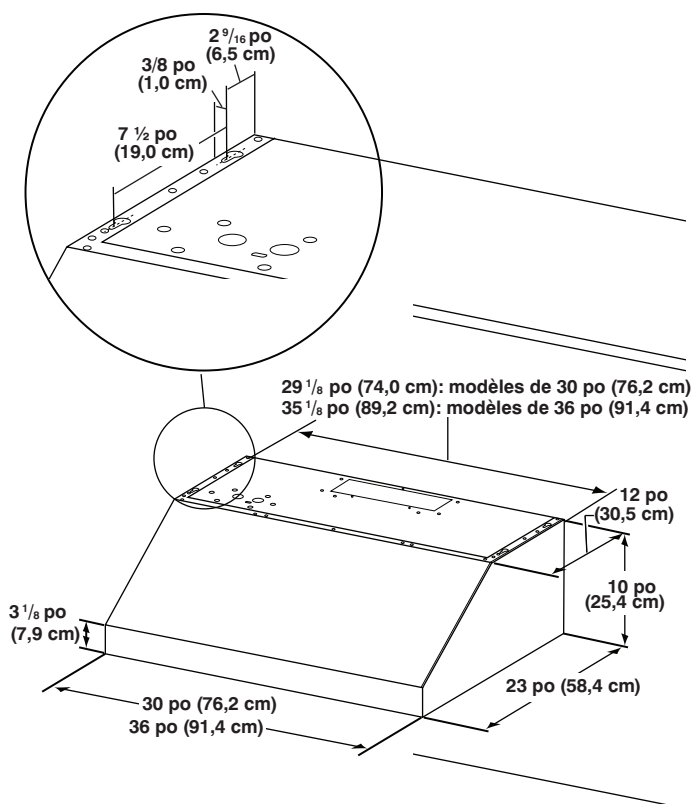
On doit assurer l'étanchéité au niveau de chaque ouverture découpée dans le plafond ou un mur traversé par l'équipement de la hotte.

### Pour une installation dans une résidence mobile

L'installation de cette hotte doit s'effectuer conformément aux descriptions de la norme Manufactured Home Construction Safety Standards, Title 24 CFR, Part 328 (anciennement Federal Standard for Mobile Home Construction and Safety, title 24, HUD, Part 280) ou lorsque cette norme n'est pas applicable, utiliser la norme Standard for Manufactured Home Installations 1982 (Manufactured Home Sites, Communities and Setups) ANSI A225.1/NFPA 501A ou respecter les dispositions des codes locaux.

## Dimensions du produit

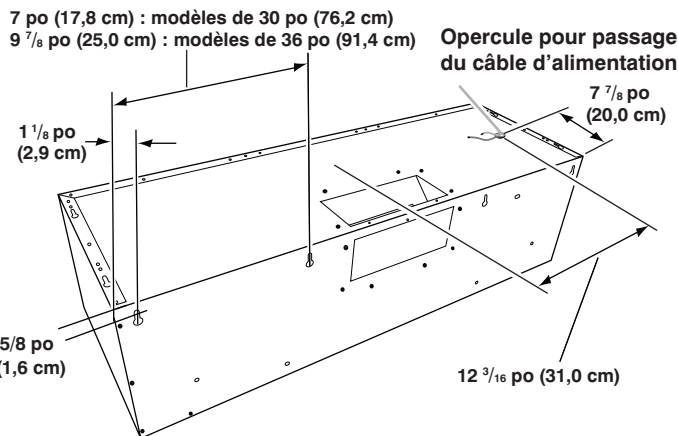
### Vue de face



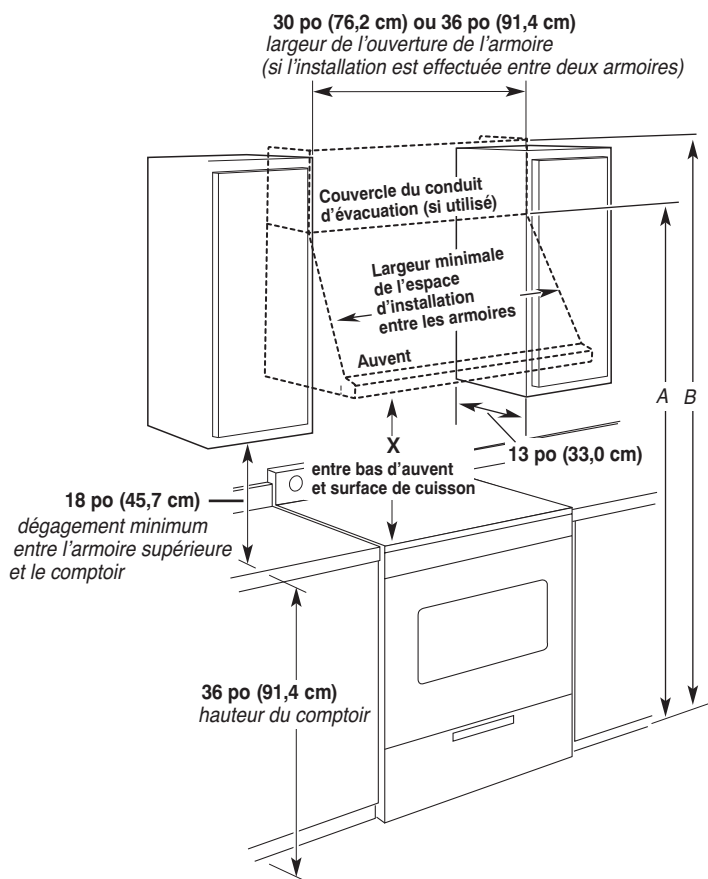
†®TORX est une marque déposée de Saturn Fasteners, Inc.



**Vue arrière** Modèles de 30 po (76,2 cm) : 12 ¼ po (31,1 cm)  
 Modèles de 36 po (91,4 cm) : 15 po (38,1 cm)



### Dimensions de l'armoire



A. Pour les installations avec hotte uniquement.  
 70 po (177,8 cm) minimum au-dessus de la surface de cuisson électrique.  
 76 po (193,0 cm) minimum au-dessus de la surface de cuisson au gaz.

B. Pour les installations avec cache-conduit facultatif.  
 82 po (208,3 cm) minimum au-dessus de la surface de cuisson électrique.  
 88 po (223,5 cm) minimum au-dessus de la surface de cuisson au gaz.

### IMPORTANT :

Valeur minimale de la distance «X» : 24 po (61,0 cm) de la surface de cuisson électrique, 30 po (76,2 cm) de la surface de cuisson au gaz.  
 Valeur maximale suggérée pour la distance «X» : 36 po (91,4 cm)

## Exigences d'évacuation

- Le système doit évacuer l'air à l'extérieur.
- Ne pas terminer le circuit d'évacuation dans un grenier ou dans un autre espace clos.
- Ne pas utiliser une bouche d'évacuation murale de 4 po (10,2 cm) normalement utilisée pour un équipement de buanderie.
- Utiliser un conduit métallique uniquement. Un conduit en métal rigide est recommandé.
- La longueur du circuit d'évacuation et le nombre de coudes doivent être réduits au minimum pour des performances optimales.

### Pour un fonctionnement efficace et silencieux :

- Ne pas utiliser plus de trois coudes à 90°.
- Veiller à incorporer une section de conduit rectiligne d'au moins 24 po (61,0 cm) si plus d'un raccord coudé sont utilisés.
- Ne pas installer 2 coudes ensemble.
- Au niveau de chaque jointure du circuit d'évacuation, assurer l'étanchéité avec les brides de serrage.
- Le circuit d'évacuation doit comporter un clapet anti-reflux. Si la bouche d'évacuation murale ou par le toit comporte un clapet anti-reflux, ne pas utiliser le clapet fourni avec la hotte.
- À l'aide d'un produit de calfeutrage, assurer l'étanchéité autour de la bouche de décharge à l'extérieur (à travers le mur ou le toit).
- La taille du conduit doit être uniforme.

### Installations dans les régions au climat froid

Un clapet anti-reflux additionnel devrait être installé pour minimiser le reflux d'air froid et une barrière thermique devrait aussi être installée pour minimiser la conduction des températures extérieures par l'intermédiaire du conduit d'évacuation. Le clapet anti-reflux doit être placé du côté air froid de la barrière thermique.

La barrière thermique doit être aussi proche que possible de l'entrée du circuit d'évacuation dans la partie chauffée de la maison.

### Air de compensation

Les codes locaux en bâtiment peuvent imposer l'emploi d'un circuit de renouvellement de l'air/introduction d'air de compensation, lors de l'utilisation d'un circuit d'aspiration de débit supérieur à une valeur spécifiée en pieds cubes par minute (CFM). Le débit spécifié en pieds cubes par minute varie d'une juridiction à l'autre. Consulter un professionnel des installations de chauffage ventilation/climatisation au sujet des exigences spécifiques applicables dans la juridiction locale.

### Méthodes d'évacuation

Cette hotte est configurée à l'usine pour la décharge de l'air aspiré à travers le toit ou à travers un mur.

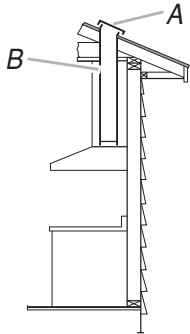
Un circuit d'évacuation en conduit rectangulaire de 3 ¼ po x 10 po (8,3 cm x 25,4 cm) est nécessaire pour l'installation (non fourni). L'ouverture de décharge de la hotte est 3 ¼ po x 10 po (8,3 cm x 25,4 cm). La sortie à l'extérieur du circuit d'évacuation peut se faire à travers le toit ou le mur. Un coude à 90° est nécessaire pour aspirer l'air du dessus de la hotte et à travers un mur. Voir la section « Installation de la hotte » pour les détails pour l'installation d'un clapet anti-reflux.

**REMARQUE :** L'emploi d'un conduit flexible est déconseillé. Un conduit flexible peut causer une contre-pression et des turbulences d'air, qui réduisent considérablement la performance.

## Décharge par l'arrière

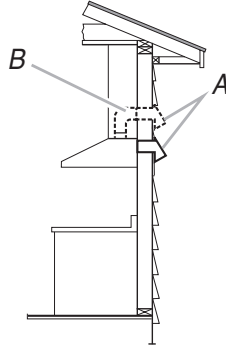
L'air aspiré par la hotte peut être déchargé directement à l'arrière à l'aide du clapet anti-reflux rectangulaire 3 1/4 po x 10 po (8,3 cm x 25,4 cm) (fourni) en même temps qu'un circuit d'évacuation de conduit rectangulaire 3 1/4 po x 10 po (8,3 cm x 25,4 cm) (non fourni). Voir la section « Installation de la hotte » pour les détails pour l'installation d'un clapet anti-reflux.

### Évacuation par le toit



A. Bouche de décharge sur toit  
B. Coude de ventilation métallique rectangulaire de 3 1/4 po x 10 po (8,3 x 25,4 cm)

### Décharge à travers le mur (décharge par le dessus ou par l'arrière)



A. Bouche de décharge murale  
B. Coude de ventilation métallique rectangulaire de 3 1/4 po x 10 po (8,3 x 25,4 cm)

<b>Longueur maximum recommandée</b>	<b>= 35 pi (10,7 m)</b>
1 coude de 90°	= 5 pi (1,5 m)
Section droite de 8 pi (2,4 m)	= 8 pi (2,4 m)
1 bouche de décharge murale	= 0 pi (0 m)
Longueur du système 3 1/4 po x 10 po (8,3 cm x 25,4 cm)	= 13 pi (3,9 m)

## Spécifications électriques

Observer les dispositions de tous les codes et règlements en vigueur. S'assurer que l'installation électrique est appropriée et conforme au National Electrical Code, à la norme ANSI/NFPA 70 (plus récente édition) ou à la norme CSA C22.1-94, au Code canadien de l'électricité, partie 1 et C22.2 No 0-M91 (plus récente édition) et à tous les codes et règlements locaux.

Si les codes le permettent et si on utilise un conducteur distinct de mise à la terre, il est recommandé qu'un électricien qualifié vérifie la qualité de la mise à la terre.

Pour obtenir un exemplaire des normes des codes ci-dessus, contacter :

National Fire Protection Association  
One Batterymarch Park  
Quincy, MA 02269  
CSA International  
8501 East Pleasant Valley Road  
Cleveland, OH 44131-5575


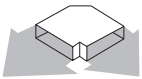
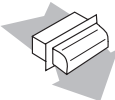
- L'appareil doit être alimenté par un circuit de 120 V CA à 60 Hz seulement et protégé par fusible de 15 A.
- Si le domicile possède un câblage en aluminium, suivre la procédure ci-dessous :  
Connecter le câblage en aluminium en utilisant des capuchons ou des outils spécialement conçus et homologués UL pour raccorder le cuivre à l'aluminium.  
Suivre la procédure recommandée par le fabricant de connecteurs électriques. Les raccordements aluminium/cuivre doivent satisfaire aux prescriptions des codes locaux et de l'industrie, et être conformes aux pratiques de câblage reconnues.
- Le calibre des conducteurs et les connexions doivent être compatibles avec les caractéristiques électriques de l'appareil spécifiées sur la plaque signalétique. La plaque signalétique de l'appareil est située derrière le filtre, sur la paroi arrière de la hotte.
- Le calibre des câbles et des raccordements doit être conforme au National Electrical Code, ANSI/NFPA 70 (édition la plus récente) ou CSA Standards C22.1-94, Code canadien des installations électriques, partie 1 et C22.2 No 0-M91 (édition la plus récente) et de tous les codes et règlements en vigueur.

## Calcul de la longueur du circuit d'évacuation

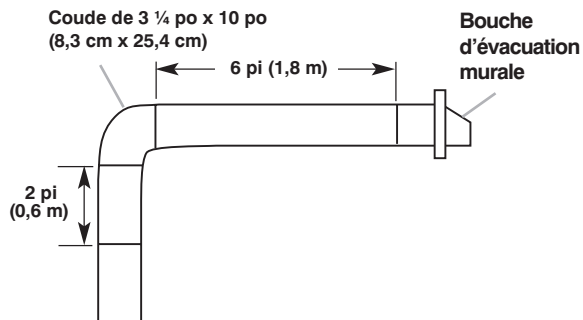
Pour calculer la longueur effective du circuit d'évacuation nécessaire, additionner les longueurs équivalentes (en pieds ou mètres) de tous les composants utilisés dans le circuit.

### Système de décharge de 3 1/4 po x 10 po (8,3 x 25,4 cm)

#### Composant

Coude à 90° de 3 1/4 po x 10 po (8,3 cm x 25,4 cm)	5 pi (1,5 m)	
Coude plat de 3 1/4 po x 10 po (8,3 cm x 25,4 cm)	12,0 pi (3,7 m)	
Bouche de décharge murale de 3 1/4 po x 10 po (8,3 cm x 25,4 cm)	0,0 pi (0,0 m)	

## Exemple de circuit d'évacuation



# INSTRUCTIONS D'INSTALLATION

## Préparation de l'emplacement

- On recommande d'installer le circuit d'évacuation avant d'entreprendre l'installation de la hotte.
- Si l'on installe un cache-conduit pleine largeur, suivre les instructions fournies avec ce produit.
- Avant d'effectuer des découpes, s'assurer que l'espace est suffisant sur le mur ou le plafond pour le conduit d'évacuation.
- Avant de sélectionner la hotte à installer, mesurer la hauteur libre sous plafond et la hauteur maximum sous la hotte.

1. Débrancher l'alimentation.
2. Déterminer la méthode d'évacuation à utiliser : évacuation par le plafond ou par le mur.
3. Choisir une surface plane pour l'assemblage de la hotte. Placer le matériau de protection sur cette surface.

### **AVERTISSEMENT**

#### Risque du poids excessif

Utiliser deux ou plus de personnes pour déplacer et installer la hotte de la cuisinière.

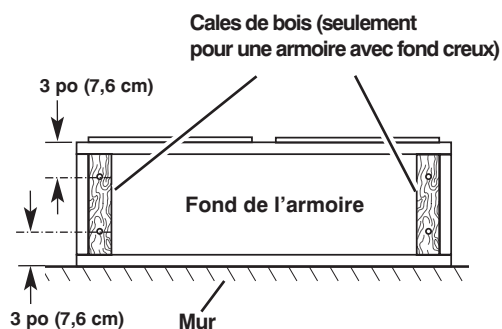
Le non-respect de cette instruction peut causer une blessure au dos ou d'autre blessure.

4. À l'aide de deux personnes ou plus, soulever la hotte et la poser sur la surface couverte.

**REMARQUE :** Cette hotte peut être montée sur des armoires ou sur le mur.

### Pour les installations sur des armoires

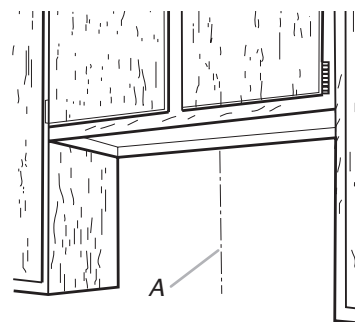
Si le fond de l'armoire forme une cavité, ajouter des tringles d'appui en bois de chaque côté. Installer les vis pour fixer les tringles d'appui aux emplacements indiqués.



### Déterminer l'emplacement du trou de passage du câble

Percer seulement un trou de passage de 1 1/4 po (3,2 cm) de diamètre pour le câblage. Voir l'étape 2 pour des instructions sur l'emplacement du trou de passage du câble.

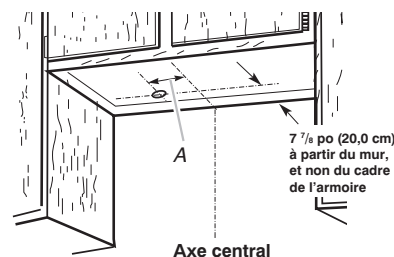
1. Déterminer et tracer clairement l'axe central vertical sur le mur et l'armoire dans la zone où le passage du conduit d'évacuation sera réalisé.



A. Axe central

2. Câblage à travers le sommet de l'armoire :

Tracer une ligne de distance «A» à gauche de l'axe central, sur la face inférieure de l'armoire. Sur cette ligne, marquer le point situé à 7 7/8 po (20,0 cm) du mur arrière. Percer en ce point un trou de 1 1/4 po (3,2 cm) de diamètre à travers l'armoire.



A. 12 3/16 po (31,0 cm)

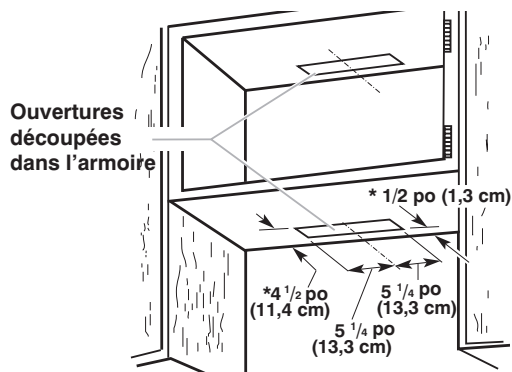
### Découpage d'ouverture pour un système d'évacuation rectangulaire de 3 1/4 po x 10 po (8,3 cm x 25,4 cm)

#### Évacuation par le toit

Découpage d'une ouverture rectangulaire de 4 po x 10 1/2 po (10,2 cm x 26,7 cm) dans le fond et le sommet de l'armoire :

1. Tracer des lignes à 1/2 po (1,3 cm) et 4 1/2 po (11,4 cm) du mur arrière, sur l'axe central de la face inférieure de l'armoire.
2. Tracer des lignes à 5 1/4 po (13,3 cm) de part et d'autre de l'axe central sur la face inférieure de l'armoire.
3. Utiliser une scie sauteuse ou une scie à guichet pour découper l'ouverture rectangulaire pour le passage du conduit d'évacuation.

- Répéter les étapes 1 à 3 pour la face inférieure du sommet de l'armoire.



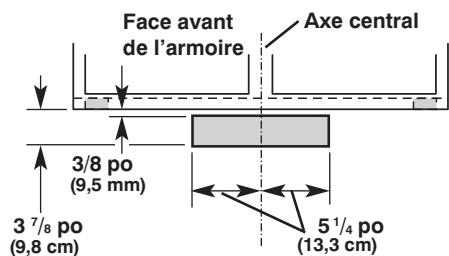
\*À partir du mur, et non du cadre de l'armoire

### Décharge à travers le mur sous une armoire

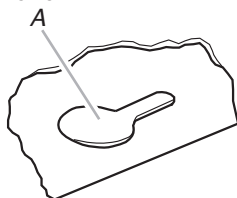
Découpage d'une ouverture rectangulaire de 3 1/2 po x 10 1/2 po (8,9 cm x 26,7 cm) dans le mur :

- Mesurer 2 lignes de 3/8 po (9,5 mm) et 3 7/8 po (9,8 cm) en descendant à partir de la face inférieure de l'armoire et marquer leur emplacement sur l'axe central du mur arrière.
- Tracer des lignes à 5 1/4 po (13,3 cm) de part et d'autre de l'axe central sur le mur.

Utiliser une scie sauteuse ou une scie à guichet pour découper l'ouverture rectangulaire dans le mur pour le passage du conduit d'évacuation.

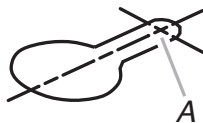


- Soulever la hotte sous l'armoire et déterminer sa position d'installation finale en la centrant sous l'armoire. Sur la face inférieure de l'armoire, marquer l'emplacement des 4 trous allongés pour montage sur la hotte. Placer la hotte à part sur une surface couverte.



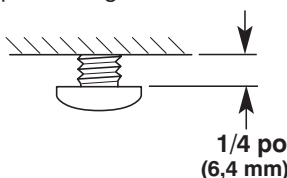
A. Trou piriforme

- À l'aide d'un foret de 1/8 po (3 mm), percer 4 avant-trous tel qu'illustré.



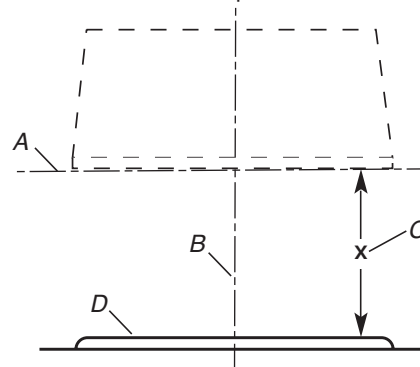
A. Perçage des avant-trous

- Installer les 4 vis de montage 4,5 x 13 mm dans les avant-trous. Laisser un espace d'environ 1/4 po (6,4 mm) entre les têtes des vis et l'armoire pour faire glisser la hotte et la mettre en place.



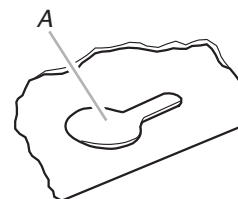
### Installations murales :

- Déterminer et marquer la position de l'axe central sur le mur où la hotte sera installée.
- Sélectionner une hauteur de montage comprise entre un minimum de 24 po (61 cm) pour une surface de cuisson électrique et 30 po (76,2 cm) pour une surface de cuisson au gaz. La hauteur maximale suggérée est de 36 po (91,4 cm) entre le dessus de la surface de cuisson et le bas de la hotte. Marquer la ligne de repérage horizontale sur le mur.
- À l'aide d'au moins deux personnes, centrer la hotte sur l'axe de montage vertical, puis aligner le bas de la hotte avec la ligne en pointillés verticale marquée sur le mur.



A. Ligne en pointillés horizontale  
B. Ligne de montage verticale  
C. Hauteur de montage  
D. Table de cuisson

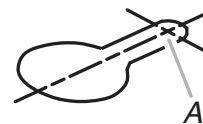
- Marquer le centre des trous des organes de fixation. Placer la hotte à part sur une surface couverte.



A. Trou piriforme

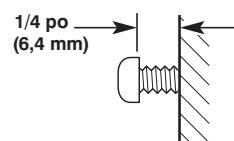
**IMPORTANT :** Toutes les vis doivent être vissées dans du bois. Si l'on ne peut pas visser la vis dans du bois, des tasseaux supplémentaires pour accrochage mural seront peut-être nécessaires.

- Percer des avant-trous de 3/16 po (4,8 mm) à tous les emplacements où des vis à bois sont utilisées.



A. Perçage des avant-trous

- Installer les 2 vis de montage de 5 x 45 mm. Laisser un espace de 1/4 po (6,4 mm) entre le mur et l'arrière de la tête de vis pour faire glisser la hotte et la mettre en place.



- Déterminer et marquer toutes les lignes de découpage nécessaires sur le mur ou le plafond pour le passage du circuit d'évacuation. Installer le système d'évacuation avant la hotte. Voir la section « Exigences concernant l'évacuation ».

## Achever la préparation

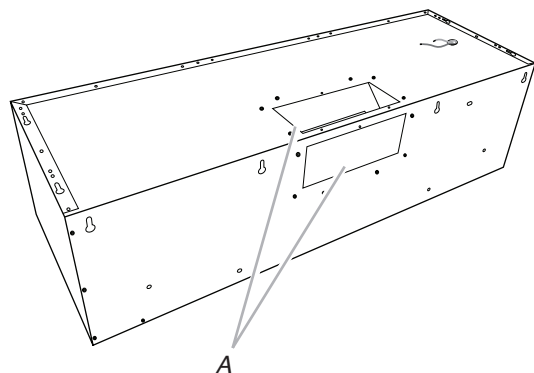
1. Déterminer la hauteur appropriée pour le cordon d'alimentation du domicile et percer un trou de 1 ¼ po (3,2 cm) à cet endroit.
2. Acheminer le câble d'alimentation du domicile selon les prescriptions du Code national de l'électricité, des normes CSA ou des codes et règlements locaux. Il faut que la longueur du conduit de 1/2 po (1,3 cm) et des conducteurs soit suffisante depuis le tableau de distribution (avec fusibles ou disjoncteurs) pour réaliser facilement le raccordement dans le boîtier de connexion de la hotte.

**REMARQUE :** Ne pas mettre le système sous tension avant d'avoir terminé l'installation.

3. Retirer les filtres à graisse. Voir la section « Entretien de la hotte ».
4. Retirer le couvercle du boîtier de connexion et le mettre de côté.
5. Ôter l'opercule du sommet de la hotte et installer un serre-câbles de 1/2 po (1,3 cm) (homologation UL ou CSA).

## Installation de la hotte

1. Selon votre installation, retirer l'opercule rectangulaire supérieur ou arrière du conduit d'évacuation.

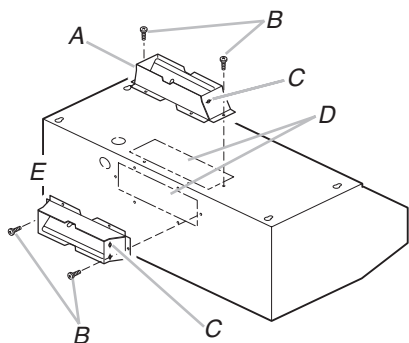


A. Opercules du conduit d'évacuation

2. Enlever le ruban adhésif du volet du clapet.

**REMARQUE :** On peut installer le clapet anti-reflux rectangulaire de 3 ¼ po x 10" (8,3 x 25,4) jusqu'à 1 po (2,5 cm) de chaque côté du centre de la hotte pour pouvoir installer les conduits décentrés.

3. Fixer le connecteur de conduit rectangulaire de 3 ¼ po x 10 po (8,3 x 25,4 cm) à la hotte d'évacuation à l'aide de vis de tôlerie.



A. Évacuation supérieure  
B. Vis de tôlerie  
C. Axe de charnière  
D. Opercules du conduit d'évacuation  
E. Évacuation à l'arrière

**REMARQUE :** Si la bouche de décharge murale est derrière le connecteur de conduit rectangulaire de 3 ¼ po x 10 po (8,3 x 25,4 cm), vérifier que le clapet anti-reflux et la bouche de décharge murale n'interfèrent pas entre eux. Retirer le clapet du connecteur de conduit rectangulaire de 3 ¼ po x 10 po (8,3 x 25,4 cm) s'ils interfèrent.

4. À l'aide d'au moins deux personnes, soulever la hotte et la placer à son emplacement final. Insérer suffisamment de câble électrique à travers le serre-câbles de 1/2 po (1,3 cm) (homologation UL ou CSA) pour établir les connexions avec la boîte de connexion. Serrer les vis du serre-câbles.
5. Positionner les trous allongés de la hotte par-dessus la tête des vis de montage. Puis pousser la hotte vers le mur (pour un montage sous une armoire) ou laisser glisser la hotte jusqu'à la hauteur de montage marquée (pour un montage sur le mur) pour que les vis soient dans la partie étroite des trous de fixation des vis. Serrer les vis de montage en s'assurant que les vis sont dans la partie étroite des trous de fixation des vis. (Pour un montage sur le mur, vérifier l'aplomb de la hotte).
6. Raccorder le circuit d'évacuation à la hotte. Assurer l'étanchéité des jointures avec des brides pour conduits.
7. Vérifier que les clapets antiretour fonctionnent correctement.

## Raccordement électrique

### ⚠ AVERTISSEMENT



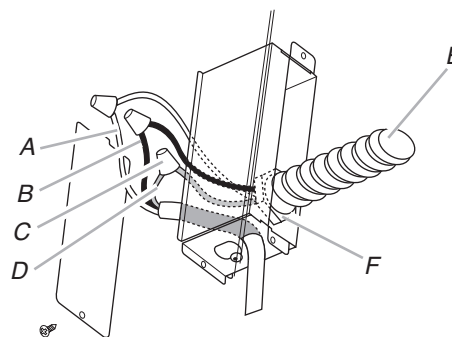
#### Risque de choc électrique

**Déconnecter la source de courant électrique avant l'entretien.**

**Replacer pièces et panneaux avant de faire la remise en marche.**

**Le non-respect de ces instructions peut causer un décès ou un choc électrique.**

1. Débrancher l'alimentation.



A. Conducteurs blancs  
B. Conducteurs noirs  
C. Capuchon de connexion homologué UL  
D. Conducteurs verts (ou nus) ou jaunes-verts de liaison à la terre  
E. Câble d'alimentation électrique du domicile  
F. Serre-câbles de 1/2 po (1,3 cm) homologué UL ou CSA

2. Connecter ensemble les conducteurs blancs (A) à l'aide de connecteurs de fils (homologation UL).

3. Connecter ensemble les conducteurs noirs (B) à l'aide de connecteurs de fils homologués UL.

**AVERTISSEMENT**

**Risque de choc électrique**

**Relier le ventilateur à la terre.**

**Brancher le fil relié à la terre au fil vert et jaune relié à la terre dans la boîte de la borne.**

**Le non-respect de ces instructions peut causer un décès ou un choc électrique.**

5. Installer le couvercle du boîtier de connexion.
6. Vérifier que toutes les ampoules d'éclairage sont bien fixées dans leur douille.
7. Rebrancher l'alimentation.

## Installation des cache-conduits (facultatif)

Si l'on installe un cache-conduit facultatif pleine largeur, suivre les instructions fournies avec ce produit.

## Terminer l'installation

1. Installer les filtres à graisse métalliques. Voir la section «Entretien de la hotte».
2. Contrôler le fonctionnement du ventilateur de la hotte et de la lampe. Voir la section «Utilisation de la hotte».

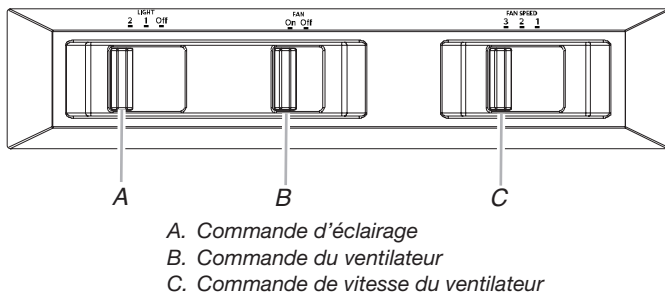
**REMARQUE :** Pour pouvoir tirer le plus grand parti de la nouvelle hotte de cuisinière, lire la section «Utilisation de la hotte».

4. À l'aide des connecteurs de fils (homologation UL), connecter le conducteur de liaison à la terre (vert ou nu) du câble d'alimentation du domicile au fil de liaison à la terre vert jaune (C) dans le boîtier de connexion.

# UTILISATION DE LA HOTTE

La hotte de cuisinière est conçue pour extraire fumée, vapeurs de cuisson et odeurs de la zone de la table de cuisson. Pour des résultats optimaux, mettre la hotte en marche avant d'entreprendre une cuisson, et la laisser fonctionner pendant plusieurs minutes après une cuisson afin d'évacuer toute odeur de cuisson et fumée de la cuisine.

Les commandes de la hotte sont situées sur la face inférieure de celle-ci.



## Commandes de la hotte

### Fonctionnement de l'éclairage

1. Placer le commutateur d'éclairage à la position «1» pour placer la lumière de la hotte au réglage de veilleuse.
2. Placer le commutateur d'éclairage à la position «2» pour placer la lumière de la hotte au réglage de plein éclairage.
3. Placer le commutateur d'éclairage à la position «Off» (arrêt) pour ÉTEINDRE la lumière de la hotte.

**IMPORTANT :** Un scintillement et une fluctuation visuelle peuvent être présents chaque fois que le commutateur d'éclairage est activé. La durée du scintillement dépendra de la manière et de la vitesse à laquelle le commutateur d'éclairage change de position.

### Fonctionnement du ventilateur

1. Placer le commutateur du ventilateur à la position «On» (marche) pour METTRE EN MARCHE le ventilateur. Le ventilateur commence à fonctionner à la vitesse réglée par le commutateur de vitesse du ventilateur.
2. Placer le commutateur du ventilateur à la position «Off» pour ÉTEINDRE le ventilateur.

### Mise en marche automatique du ventilateur

La hotte de cuisine est équipée d'un capteur qui met le ventilateur automatiquement en marche lorsqu'un niveau de chaleur excessif est détecté dans la zone de commande. Lorsque le commutateur du ventilateur est à la position «Off» (arrêt), le capteur change l'état du commutateur du ventilateur à la vitesse élevée si nécessaire. Lorsque le niveau de chaleur diminue, le ventilateur s'éteint.

Lorsque le commutateur du ventilateur est à la position «On», le capteur de chaleur est inactif et la hotte fonctionne normalement.

### Réglage du ventilateur

Le ventilateur comporte 3 commandes de vitesse. Placer le commutateur de vitesse du ventilateur à la position «1» pour la vitesse faible, à la position «2» pour la vitesse moyenne ou à la position «3» pour la vitesse élevée.

### Dispositif de protection thermique

La hotte est équipée d'un dispositif de protection thermique permettant d'éviter les conditions de surchauffe. Si la hotte s'éteint en cours d'utilisation, déplacer le curseur du ventilateur vers Off (arrêt) pour éteindre la hotte. Attendre environ 60 minutes puis placer le curseur sur On (marche) pour remettre la hotte en marche.

# ENTRETIEN DE LA HOTTE

## Nettoyage

**IMPORTANT :** Nettoyer fréquemment la hotte et les filtres à graisse en suivant les instructions suivantes. Réinstaller les filtres à graisse avant de faire fonctionner la hotte.

### Surfaces externes :

Afin d'éviter d'endommager la surface externe, ne pas utiliser de tampons en laine d'acier ou de tampons à récurer savonneux. Toujours essuyer pour éviter de laisser des marques d'eau.

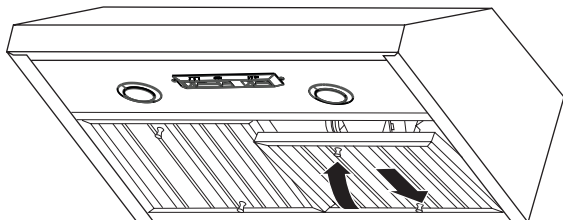
### Méthode de nettoyage :

- Savon détergent liquide et eau, ou nettoyant tout usage.
- Frotter avec un chiffon doux humide ou une éponge non abrasive, puis rincer avec de l'eau propre et essuyer.

### Filtre à graisse métallique

#### Retrait des filtres à graisse métalliques ;

1. Employer les deux mains pour retirer les filtres. Saisir les poignées du filtre, tirer vers l'arrière de la hotte et tirer sur la poignée avant pour retirer le filtre.



2. Répéter pour chaque filtre à graisse.
3. Laver les filtres métalliques autant que nécessaire au lave-vaisselle ou à la main dans une solution de détergent chaude pour les nettoyer.

#### Réinstallation des filtres à graisse métalliques :

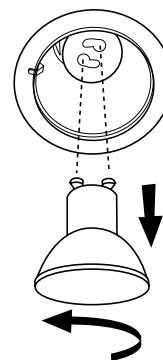
1. Saisir les poignées du filtre et insérer l'arrière du filtre dans la rainure arrière.
2. Tirer sur la poignée arrière et insérer le devant du filtre à graisse dans la rainure avant et bien fixer.
3. Répéter pour chaque filtre.

### Remplacer une ampoule à DEL

Interrompre l'alimentation de la hotte ; attendre le refroidissement de l'ampoule à DEL. Pour éviter d'endommager ou de réduire la longévité de l'ampoule neuve, ne pas toucher l'ampoule avec les doigts nus. Remplacer l'ampoule en la manipulant avec un mouchoir de papier ou des gants de coton.

Si les nouvelles ampoules ne fonctionnent pas, vérifier que chaque ampoule est correctement insérée dans sa douille avant de demander l'intervention d'un dépanneur.

1. Débrancher l'alimentation.
2. Pousser la plaque de verre vers le haut et la tourner dans le sens antihoraire.

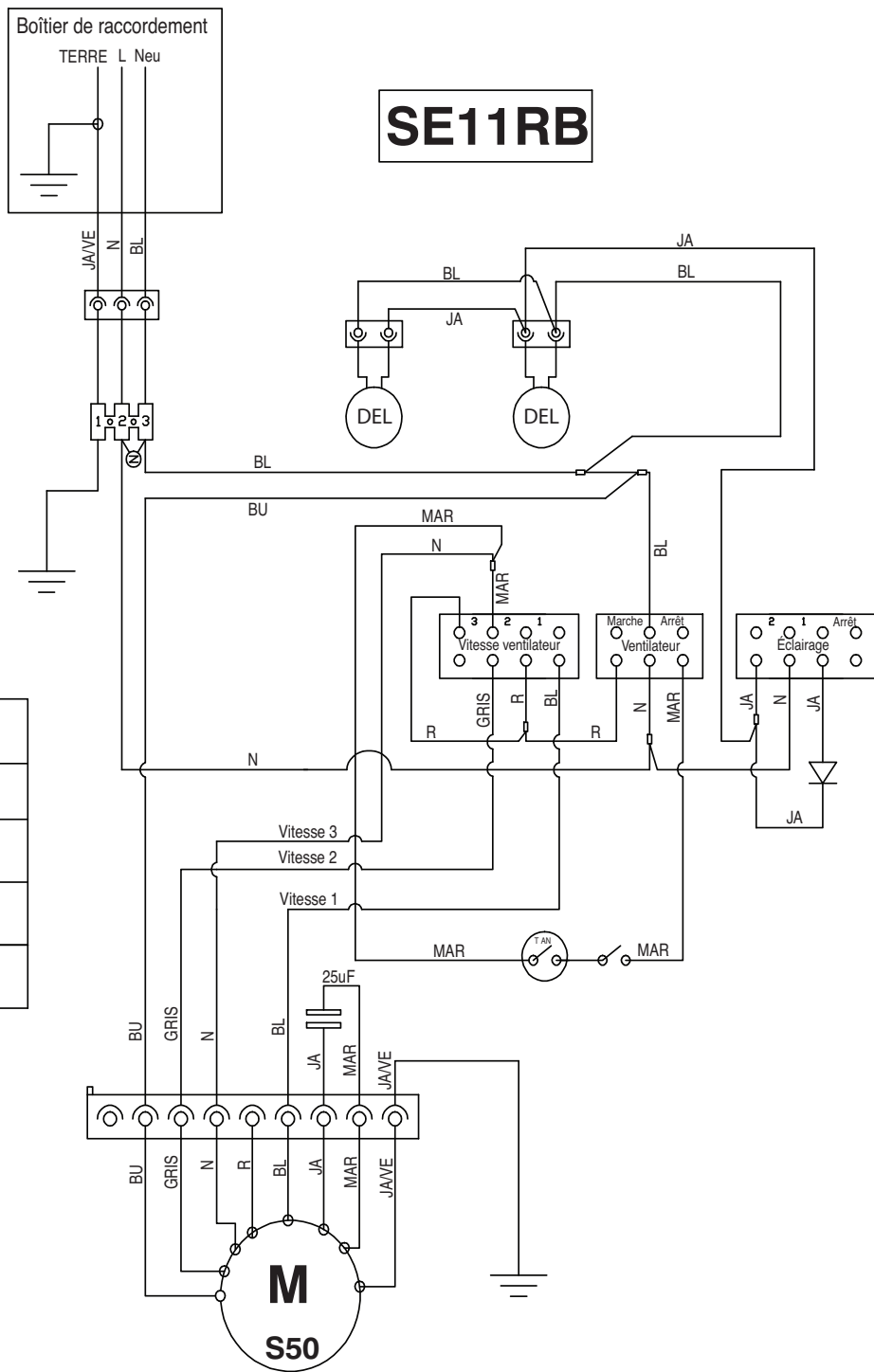


3. Retirer l'ampoule et la remplacer par une ampoule de 120 V, 6,5 W maximum, avec culot GU10. La tourner dans le sens horaire pour l'emboîter.
4. Répéter les étapes 2 et 3 pour l'autre ampoule, si nécessaire.
5. Rebrancher l'alimentation.

# SCHÉMA DE CÂBLAGE

Résistance du moteur (Ohms)	
Bleu - Rouge	18
Bleu - Gris	14,3
Bleu - Noir	9,8 (max)
Bleu - Blanc	21,6 (min)
Temp. ambiante	41 °F (23 °C)

Caratéristiques du moteur	
Alimentation électrique	120 VCA
Fréquence	60 HZ
Absorption de puissance	420 W
Courant	3,7A





---

# ASSISTANCE OU DÉPANNAGE

Avant d'appeler pour de l'assistance ou du dépannage, avoir à portée de la main la date d'achat et les numéros de modèle et de série complets de l'appareil. Ces renseignements nous aideront à mieux répondre à votre demande.

## Si vous avez besoin de pièces de rechange

Pour commander des pièces de rechange, nous vous recommandons d'utiliser seulement des pièces spécifiées par l'usine. Les pièces spécifiées par l'usine fonctionneront bien, car elles sont fabriquées selon la même précision que celle utilisée pour fabriquer chaque nouvel appareil. Pour savoir où trouver des pièces de rechange spécifiées par l'usine dans votre région, appelez-nous ou communiquez avec le centre de service désigné le plus proche.

---

## Aux É.-U.

Téléphonez sans frais au Centre pour l'eXpérience de la clientèle KitchenAid au : **1 800 422-1230**.

### Nos conseillers peuvent vous aider sur les points suivants :

- Caractéristiques et spécifications de notre gamme complète d'appareils ménagers.
- Renseignements sur l'installation.
- Procédures d'utilisation et d'entretien.
- Vente d'accessoires et de pièces de rechange.
- Assistance spécialisée au client (langue espagnole, malentendants, malvoyants, etc.).
- Les références aux concessionnaires, compagnies de service de réparation et distributeurs de pièces de rechange locaux. Les techniciens de service désignés par KitchenAid sont formés pour remplir la garantie des produits et fournir un service après garantie partout aux États-Unis. Pour localiser la compagnie de service désignée par KitchenAid dans votre région, vous pouvez également consulter les Pages jaunes.

### Pour plus d'assistance

Si vous avez besoin de plus d'assistance, vous pouvez écrire à KitchenAid en soumettant toute question ou problème à :

KitchenAid Brand Home Appliances  
Customer eXperience Center  
553 Benson Road  
Benton Harbor, MI 49022-2692

Veillez indiquer dans votre correspondance un numéro de téléphone où l'on peut vous joindre dans la journée.

---

## Accessoires

### Cache-cheminée pleine largeur

Commander la pièce numéro EXTKIT02ES pour modèle de 30 po (76,2 cm)

Commander la pièce numéro EXTKIT04ES pour modèle de 36 po (91,4 cm)

---

## Au Canada

Téléphonez sans frais au Centre d'expérience de la clientèle de KitchenAid Canada au : **1 800 807-6777**.

### Nos conseillers peuvent vous aider sur les points suivants :

- Caractéristiques et spécifications de notre gamme complète d'appareils ménagers.
- Procédures d'utilisation et d'entretien.
- Vente d'accessoires et de pièces de rechange.
- Les références aux concessionnaires, compagnies de service de réparation et distributeurs de pièces de rechange locaux. Les techniciens de service désignés par KitchenAid Canada sont formés pour remplir la garantie des produits et fournir un service après la garantie partout au Canada.

### Pour plus d'assistance

Si vous avez besoin de plus d'assistance, vous pouvez écrire à KitchenAid Canada en soumettant toute question ou tout problème à :

Customer eXperience Centre  
KitchenAid Canada  
200 – 6750 Century Ave.  
Mississauga, Ontario L5N 0B7

Veillez indiquer dans votre correspondance un numéro de téléphone où l'on peut vous joindre dans la journée.

---

## Remarques

---

## Remarques

---

## Remarques

---

## Remarques

---

## Remarques

---

## Remarques

