

27" Single Wall Oven with Even-Heat™ True Convection

KOSE507EBS

Available Finishes/Colours



This 27" Single Wall Oven with Even-Heat™ True Convection provides consistent heating and even cooking. A unique bow-tie shaped design and convection fan helps ensure there are no burnt edges or undercooked centers. The Temperature Probe delivers accurate measurement of internal temperatures of meats, poultry, and casseroles without opening the oven door, for perfectly cooked food. The oven's bold design details are the perfect balance of elegance and functionality.

Dimensions	
Depth	27 1/8
Height	28 3/4
Width	27

Exterior	
Door Removable	Yes
Door Lock	Yes
Handle Material	Stainless Steel
Door Type	Metal & Glass
Flush Installation Approved	Yes
Installable Under Cooktop	Yes
Oven Window Size	Extra Large
Handle Color	Stainless Steel

Controls	
Control Type	Glass Touch Digital Display
Electronic Display Type	Digital

Features	
Language Conversion	English/French
LP Convertible	No
Power On Indicator Light	Yes
Temperature Conversion	Yes

Details	
Automatic Shut-Off	Yes
Convection Element Type	True
Convection Functions	Bake, Broil, Roast

Top Features

Glass-Touch Display with Control Lock Function

SatinGlide™ Roll-Out Extension Rack

4.3 Cu. Ft. Capacity

Controls	
Display Color	White

Manuals & Literature:

-  [Dimension Guide](#)
-  [Energy Guide](#)
-  [Installation Guide](#)
-  [Owner Manual](#)
-  [Warranty Information](#)

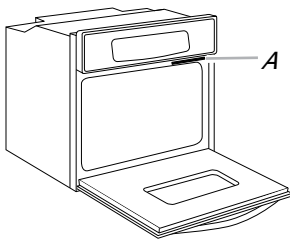
27" (68.6 CM) AND 30" (76.2 CM) ELECTRIC SINGLE AND DOUBLE BUILT-IN OVEN

PRODUCT MODEL NUMBERS

KODE300E	KODT100E	KOST100E
KODE307E	KODT107E	KOST107E
KODE500E	KOSE500E	KEBS109E
KODE507E	KOSE507E	KEBS209E
		KEBS207E

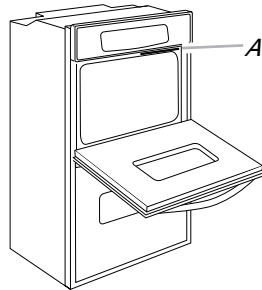
Electrical: To properly install your oven, you must determine the type of electrical connection you will be using and follow the instructions provided for it here.

- Oven must be connected to the proper electrical voltage and frequency as specified on the model/serial number rating plate. The model/serial number rating plate is located under the control panel on single ovens and under the control panel on the upper oven cavity on double ovens. See the following illustrations.



Single Oven

A. Model/serial number plate



Double Oven

A. Model/serial number plate

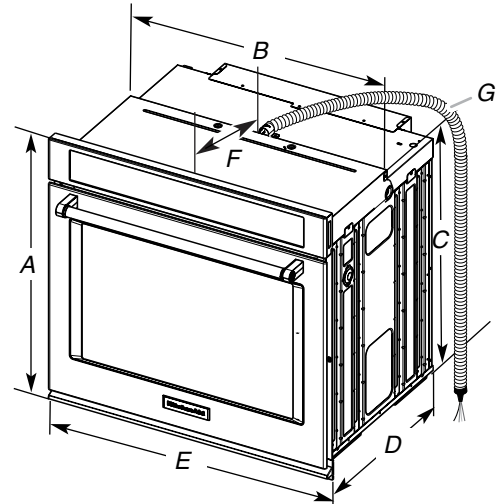
- Models rated from 7.3 to 9.6 kW at 240 volts (5.4 to 7.4 kW at 208 volts) require a separate 40-amp circuit. Models rated at 4.8 kW and below at 240 volts (3.6 kW and below at 208 volts) require a separate 20-amp circuit.
- A circuit breaker is recommended.
- Connect directly to the circuit breaker box (or fused disconnect) through flexible, armored or nonmetallic sheathed, copper cable (with grounding wire). See "Make Electrical Connection" section.
- Flexible conduit from the oven should be connected directly to the junction box.
- Fuse both sides of the line.
- Do not cut the conduit. The length of conduit provided is for serviceability of the oven.
- A UL listed or CSA approved conduit connector must be provided.
- If the house has aluminum wiring, follow the procedure below:
 - Connect a section of solid copper wire to the ends of the flexible conduit leads.
 - Connect the aluminum wiring to the added section of copper wire using special connectors and/or tools designed and UL listed for joining copper to aluminum.

Follow the electrical connector manufacturer's recommended procedure. Aluminum/copper connection must conform with local codes and industry accepted wiring practices.

For power requirements for models KOST107E, KOST100E, KOSE507E, KOSE500E, KODE307E, KODE300E, KODE507E, KODE500E, KODT100E and KODT107E, refer to the following table.

Voltage	Single Thermal	Single Convect	Double Thermal	Double Convect	Double Convect/Thermal
240 VAC	4100 W	4100 W	8163 W	8300 W	8300 W
208 VAC	3100 W	3100 W	6300 W	6300 W	6300 W
240 VAC	17.2 A	17.2 A	34.2 A	34.2 A	34.2 A
208 VAC	15.0 A	15.0 A	29.9 A	29.9 A	29.9 A

PRODUCT DIMENSIONS

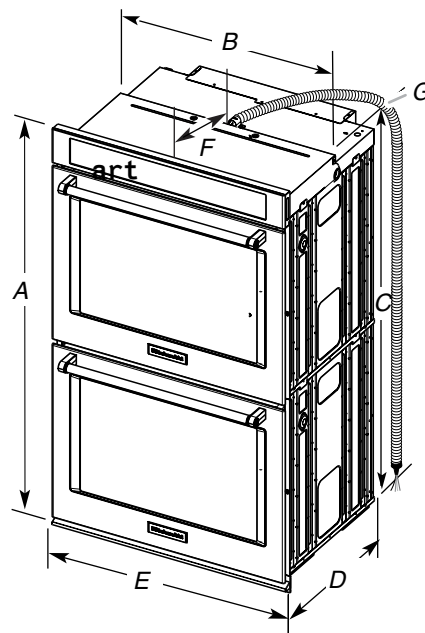


27" (68.6 cm) models

- A. 28³/₄" (72.8 cm) max. overall height
- B. 25⁷/₁₆" (64.6 cm) max. recessed width
- C. 26³/₄" (67.9 cm) recessed height
- D. 23¹/₄" (59.1 cm) max. recessed depth
- E. 27" (68.6 cm) overall width
- F. 12" (30.5 cm) from back of control panel to start of strain relief
- G. 48" (121.9 cm) flexible conduit length

30" (76.2 cm) models

- A. 28³/₄" (72.8 cm) max. overall height
- B. 28¹/₂" (72.4 cm) max. recessed width
- C. 26³/₄" (67.9 cm) recessed height
- D. 23¹/₄" (59.1 cm) max. recessed depth
- E. 30" (76.2 cm) overall width
- F. 12" (30.5 cm) from back of control panel to start of strain relief
- G. 48" (121.9 cm) flexible conduit length



27" (68.6 cm) models

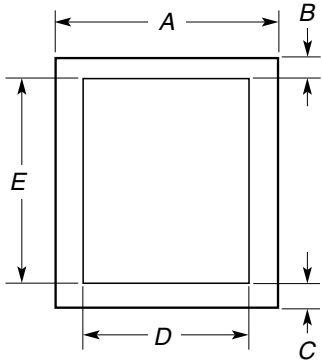
- A. 51¹/₁₆" (130.0 cm) max. overall height
- B. 25⁷/₁₆" (64.6 cm) max. recessed width
- C. 48¹³/₁₆" (124.0 cm) recessed height
- D. 23¹/₄" (59.1 cm) max. recessed depth
- E. 27" (68.6 cm) overall width
- F. 12" (30.5 cm) from back of control panel to start of strain relief
- G. 66" (167.6 cm) flexible conduit length

30" (76.2 cm) models

- A. 51¹/₁₆" (130.0 cm) max. overall height
- B. 28¹/₂" (72.4 cm) max. recessed width
- C. 48¹³/₁₆" (124.0 cm) recessed height
- D. 23¹/₄" (59.1 cm) max. recessed depth
- E. 30" (76.2 cm) overall width
- F. 12" (30.5 cm) from back of control panel to start of strain relief
- G. 66" (167.6 cm) flexible conduit length

CABINET DIMENSIONS - SINGLE OVENS

Single Oven Undercounter (without cooktop installed above)



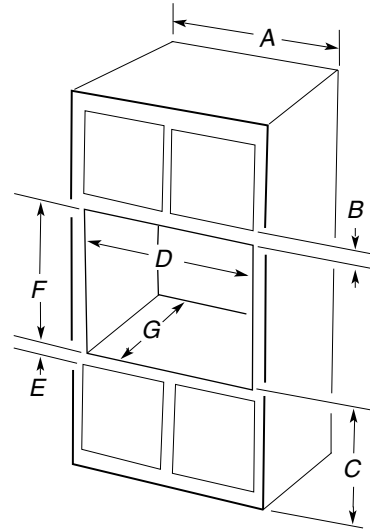
27" (68.6 cm) models

- A. 27" (68.6 cm) min. cabinet width
- B. 1½" (3.8 cm) min. top of cutout to underside of countertop
- C. 5¼" (13.3 cm) bottom of cutout to floor
- D. 25½" (64.8 cm) cutout width
- E. 28" (71.2 cm) min. cutout height

30" (76.2 cm) models

- A. 30" (76.2 cm) min. cabinet width
- B. 1½" (3.8 cm) min. top of cutout to underside of countertop
- C. 5¼" (13.3 cm) bottom of cutout to floor
- D. 28½" (72.4 cm) cutout width
- E. 28" (71.2 cm) min. cutout height

Single Ovens Installed in Cabinet



27" (68.6 cm) models

- A. 27" (68.6 cm) min. cabinet width
- B. 1" (2.5 cm) top of cutout to bottom of upper cabinet door
- C. 32" (81.3 cm) bottom of cutout to floor
- D. 25½" (64.8 cm) cutout width
- E. 1½" (3.8 cm) min. bottom of cutout to top of cabinet door
- F. 28" (71.2 cm)* recommended cutout height
- G. 24" (60.7 cm) cutout depth

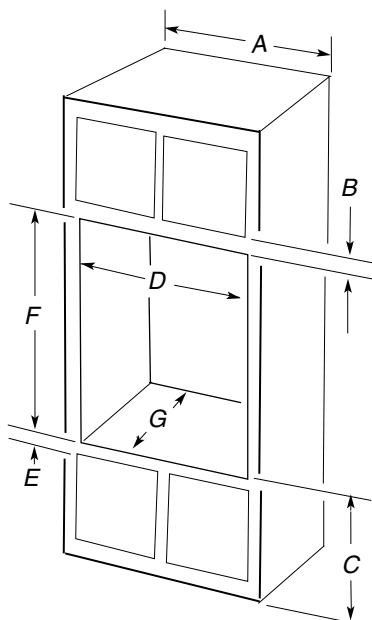
30" (76.2 cm) models

- A. 30" (76.2 cm) min. cabinet width
- B. 1" (2.5 cm) top of cutout to bottom of upper cabinet door
- C. 32" (81.3 cm) bottom of cutout to floor
- D. 28½" (72.4 cm) cutout width
- E. 1½" (3.8 cm) min. bottom of cutout to top of cabinet door
- F. 28" (71.2 cm)* recommended cutout height
- G. 24" (60.7 cm) cutout depth

***NOTE:** The cutout height can be between 26¹⁵/₁₆" (68.4 cm) and 29⁷/₁₆" (74.8 cm) for single ovens.

CABINET DIMENSIONS - SINGLE OVENS

Double Ovens Installed in Cabinet



27" (68.6 cm) models

- A. 27" (68.6 cm) min. cabinet width
- B. 1" (2.5 cm) top of cutout to bottom of upper cabinet door
- C. 14¾" (37.5 cm) bottom of cutout to floor is recommended. 4"-14¾" (10.2-37.5 cm) bottom of cutout to floor is acceptable.
- D. 25½" (64.8 cm) cutout width
- E. 1½" (3.8 cm) min. bottom of cutout to top of cabinet door
- F. 50¼" (127.6 cm)* recommended cutout height
- G. 24" (60.7 cm) cutout depth

30" (76.2 cm) models

- A. 30" (76.2 cm) min. cabinet width
- B. 1" (2.5 cm) top of cutout to bottom of upper cabinet door
- C. 14¾" (37.5 cm) bottom of cutout to floor is recommended. 4"-14¾" (10.2-37.5 cm) bottom of cutout to floor is acceptable.
- D. 28½" (72.4 cm) cutout width
- E. 1½" (3.8 cm) min. bottom of cutout to top of cabinet door
- F. 50¼" (127.6 cm)* recommended cutout height
- G. 24" (60.7 cm) cutout depth

***NOTE:** The cutout height can be between 48⁷/₈" (124.1 cm) and 52³/₁₆" (132.6 cm) for double ovens.