

# KitchenAid® 30", 36", and 48" Professional Dual Fuel Convection Ranges

## PRODUCT MODEL NUMBERS

KDRS407VSS	KDRS467VSS	KDRU763VSS
KDRS462VSS	KDRS483VSS	KDRU767VSS
KDRS463VSS	KDRU707VSS	KDRU783VSS

## GAS REQUIREMENTS

### Type of Gas

#### Natural Gas:

This range is design-certified by CSA International for use with Natural gas or, after proper conversion, for use with LP gas.

- This range is factory set for use with Natural gas. The model/serial rating plate located on the right vertical surface of the oven door frame has information on the types of gas that can be used. If the types of gas listed do not include the type of gas available, check with the local gas supplier.

#### LP Gas conversion:

Conversion must be done by a qualified service technician.

No attempt shall be made to convert the range cooktop from the gas specified on the model/serial rating plate for use with a different gas without consulting the serving gas supplier. To convert to LP gas, use the LP gas conversion kit provided with your range and see the "Gas Conversions" section in the Installation Instructions. The parts for this kit are in the literature package supplied with the range.

#### Gas Supply Line

- Provide a gas supply line of ¾" (1.9 cm) rigid pipe to the range location. A smaller size pipe on longer runs may result in insufficient gas supply. With LP gas, piping or tubing size can be ½" (1.3 cm) minimum. Usually, LP gas suppliers determine the size and materials used in the system.
- NOTE:** Pipe-joint compounds that resist the action of LP gas must be used. Do not use TEFLON®† tape.

†TEFLON is a registered trademark of E.I. Du Pont De Nemours and Company.

## ELECTRICAL REQUIREMENTS

### Electrical Connection

To properly install your range, you must determine the type of electrical connection you will be using and follow the instructions provided for it here.

- Range must be connected to the proper electrical voltage and frequency as specified on the model/serial number rating plate. The model/serial number rating plate is located on the right vertical surface of the oven door frame. Refer to the installations in the "Product Dimensions" section of the "Location Requirements" section.

## LOCATION REQUIREMENTS

**IMPORTANT:** To avoid damage to your cabinets, check with your builder or cabinet supplier to make sure that the materials used will not discolor, delaminate or sustain other damage. This oven has been designed in accordance with the requirements of UL and CSA International and complies with the maximum allowable wood cabinet temperatures of 194°F (90°C).

### Mobile Home - Additional Installation Requirements

The installation of this range must conform to the Manufactured Home Construction and Safety Standard, Title 24 CFR, Part 3280 (formerly the Federal Standard for Mobile Home Construction and Safety, Title 24, HUD Part 280). When such standard is not applicable, use the Standard for Manufactured Home Installations, ANSI A225.1/NFPA 501A or with local codes.

In Canada, the installation of this range must conform with the current standards CAN/CSA-A240-latest edition, or with local codes.

### Mobile home installations require:

- When this range is installed in a mobile home, it must be secured to the floor during transit. Any method of securing the range is adequate as long as it conforms to the standards listed above.

- A. Optional backguard may be installed.
- B. 27¾" (70.5 cm) depth with control panel, see NOTE\* on Page 2
- C. 35¾" (89.6 cm) cooktop height when setting on the wheels
- D. 30" (76.2 cm) width
- E. Model/serial rating plate location

- This range may be manufactured with a 4-wire power supply cord, or it may not include a power supply cord. If your range does not include a power supply cord, use a 4-wire power supply cord rated at 250 volts, 40 or 50 amps and investigated for use with ranges.

Range Rating*		Specified Rating of Power Supply Cord Kit and Circuit Protection	
120/240 Volts	120/208 Volts	Amps	Range Size
8.8 - 16.5 KW	7.8 - 12.5 KW	40 or 50**	30" (76.2 cm) 36" (91.4 cm)
16.6 - 22.5 KW	12.6 - 18.5 KW	50	48" (121.9 cm)

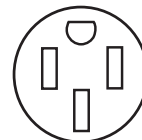
\*The NEC calculated load is less than the total connected load listed on the model/serial rating plate.

\*\*If connecting to a 50-amp circuit, use a 50-amp rated cord with kit. For 50-amp rated cord kits, use kits that specify use with a nominal 1⅜" (34.9 mm) diameter connection opening.

- A circuit breaker is recommended.
- Wire sizes and connections must conform with the rating of the range.

## ELECTRICAL REQUIREMENTS - CANADA ONLY

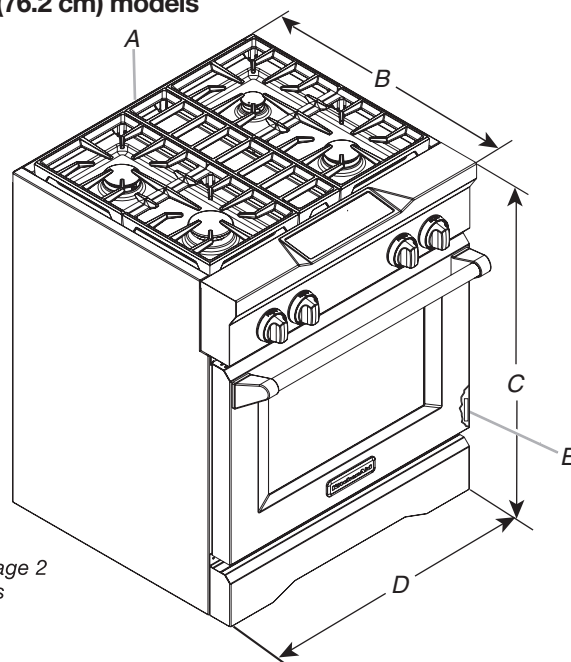
- Check with a qualified electrical installer if you are not sure the range is properly grounded.
- When a 4-wire, single phase 250 volt, 60 Hz., AC only electrical supply is available, a 40-amp minimum circuit protection is required on 30" (76.2 cm) and 36" (91.4 cm) ranges and a 50-amp minimum circuit protection is required on 48" (121.9 cm) ranges, fused on both sides of the line.
- A time-delay fuse or circuit breaker is recommended.
- This range is equipped with a CSA International Certified Power Cord intended to be plugged into a standard 14-50R wall receptacle. Be sure the wall receptacle is within reach of range's final location.



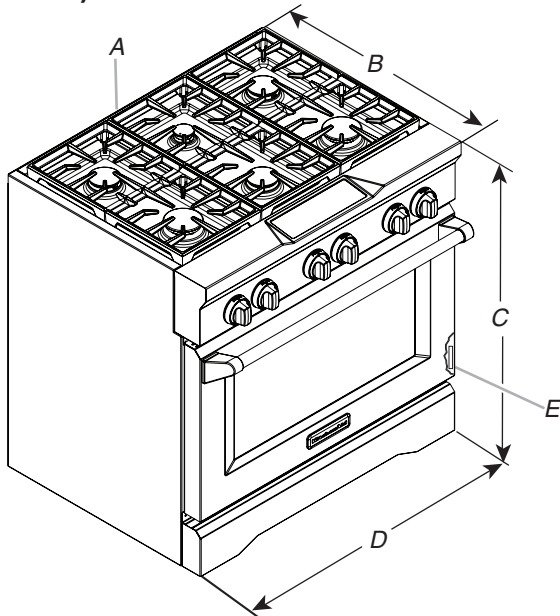
- Do not use an extension cord.

## Product Dimensions

### 30" (76.2 cm) models



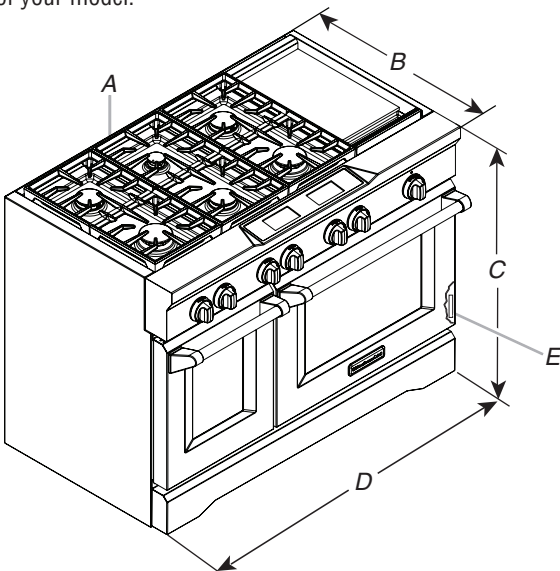
### 36" (91.4 cm) models



- A. Optional backguard may be installed
- B. 27 $\frac{3}{4}$ " (70.5 cm) depth with control panel, see NOTE\*
- C. 35 $\frac{3}{4}$ " (90.2 cm) cooktop height when setting on the wheels
- D. 36" (91.4 cm) width
- E. Model/serial rating plate location

### 48" (121.9 cm) models

**NOTE:** The following illustration is for dimension planning purposes only, and the locations and appearances of the features shown may not match those of your model.



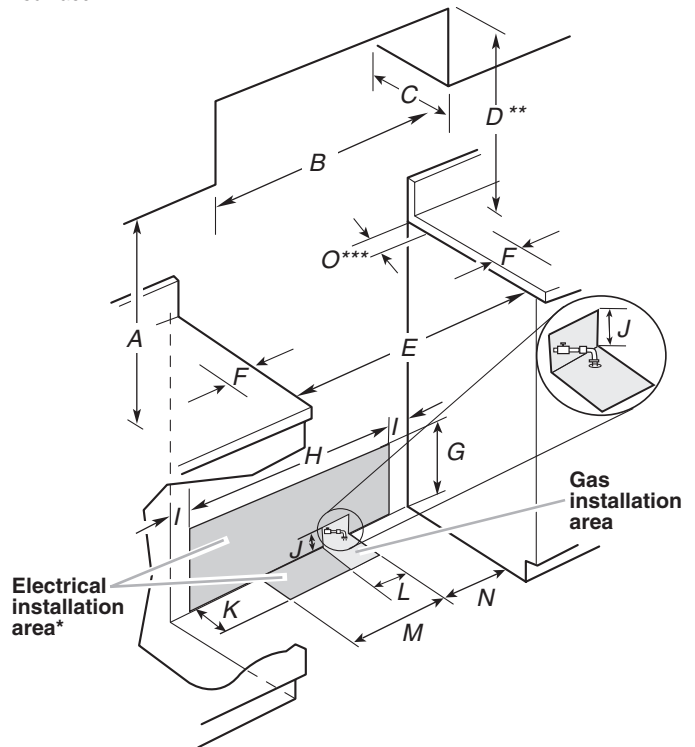
- A. Optional backguard may be installed
- B. 27 $\frac{3}{4}$ " (70.5 cm) depth with control panel, see NOTE\*
- C. 35 $\frac{3}{4}$ " (90.2 cm) cooktop height when setting on the wheels
- D. 48" (121.9 cm) width
- E. Model/serial rating plate location

**\*NOTE:** When installed in a 24" (61.0 cm) base cabinet with 25" (63.5 cm) countertop; front of oven door protrudes 1 $\frac{7}{8}$ " (4.8 cm) beyond 24" (61.0 cm) base cabinet.

### Cabinet Dimensions

Cabinet opening dimensions shown are for 25" (64 cm) countertop depth, 24" (61 cm) base cabinet depth and 36" (91.4 cm) countertop height. Dimensions must be met in order to ensure a flush fit to backwall.

**IMPORTANT:** If installing a range hood above the range, follow the range hood installation instructions for dimensional clearances above the cooktop surface.



- A. 18" (45.7 cm) upper cabinet to countertop
- B. 30" (76.2 cm) model: 30" (76.2 cm) min. upper cabinet width  
36" (91.4 cm) model: 36" (91.4 cm) min. upper cabinet width  
48" (121.9 cm) model: 48" (121.9 cm) min. upper cabinet width
- C. 13" (33 cm) max. upper cabinet depth
- D. For minimum clearance to top of range, see NOTE\*\*
- E. 30 $\frac{1}{4}$ " (76.8 cm) on 30" (76.2 cm) models  
36 $\frac{1}{4}$ " (92.1 cm) on 36" (91.4 cm) models  
48 $\frac{1}{4}$ " (122.6 cm) on 48" (121.9 cm) models
- F. 6" (15.2 cm) min. clearance from both sides of range to side wall or other combustible material
- G. 15" (38.1 cm)
- H. 22" (55.9 cm) on 30" (76.2 cm) models  
28" (71.1 cm) on 36" (91.4 cm) models  
40" (101.6 cm) on 48" (121.9 cm) models
- I. 1 $\frac{1}{2}$ " (3.8 cm)
- J. 3" (7.6 cm)
- K. 5" (12.7 cm)
- L. 6" (15.2 cm) on 30" (76.2 cm) models  
14" (35.5 cm) on 36" (91.4 cm) models  
24" (61.0 cm) on 48" (121.9 cm) models
- M. 10 $\frac{1}{2}$ " (26.7 cm)
- N. 6" (15.2 cm)
- O. 6" (15.2 cm), see NOTE\*\*\*

**\*NOTE:** Receptacle must be rotated 90° for Canadian installation.

### \*\*NOTE: Minimum Clearances

**30" (76.2 cm) models:** 30" (76.2 cm) minimum clearance between the top of the cooking platform and the bottom of an uncovered wood or metal cabinet.

**36" (91.4 cm) models:** 42" (106.7 cm) minimum clearance between the top of the cooking platform and the bottom of an uncovered wood or metal cabinet.

**48" (121.9 cm) models:** 42" (106.7 cm) minimum clearance between the top of the cooking platform and the bottom of an uncovered wood or metal cabinet.

**\*\*\*NOTE:** If backwall is constructed of a combustible material and a backguard is not installed, a 6" (15.2 cm) minimum clearance is required for all models.