

KitchenAid®

INSTALLATION INSTRUCTIONS

COMMERCIAL-STYLE DUAL FUEL CONVECTION RANGES
30" (76.2 CM), 36" (91.4 CM), AND 48" (121.9 CM)

For residential use only

INSTRUCTIONS D'INSTALLATION

CUISINIÈRES À CONVECTION À DOUBLE COMBUSTIBLE DE TYPE COMMERCIAL
DE 30" (76,2 CM), 36" (91,4 CM) ET 48" (121,9 CM)

Pour utilisation résidentielle uniquement

Table of Contents/Table des matières

RANGE SAFETY	2	SÉCURITÉ DE LA CUISINIÈRE	27
INSTALLATION REQUIREMENTS	4	EXIGENCES D'INSTALLATION	29
Tools & Parts	4	Outillage et pièces.....	29
Location Requirements	6	Exigences d'emplacement.....	31
Water Filtration System Location Requirements	8	Exigences d'emplacement du système de filtration de l'eau.....	33
Water Supply Requirements	8	Spécifications de l'alimentation en eau	34
Electrical Requirements – U.S.A. Only.....	9	Spécifications de l'installation électrique	34
Electrical Requirements – Canada Only	10	Spécifications de l'alimentation en gaz	35
Gas Supply Requirements	10	INSTRUCTIONS D'INSTALLATION	37
INSTALLATION INSTRUCTIONS	12	Déballage de la cuisinière	37
Unpack the Range	12	Installation du dossieret facultatif	38
Install Optional Backguard.....	13	Installation de la bride antibasculement	38
Install Anti-Tip Bracket.....	13	Installation du système de filtration de l'eau	39
Electrical Connection – U.S.A. Only.....	14	Raccordement au gaz.....	41
Install Water Filtration System	15	Vérification de l'emplacement de la bride antibasculement	42
Make Gas Connection	17	Réglage de l'aplomb de la cuisinière.....	42
Verify Anti-Tip Bracket Location	17	Installation des plateaux à graisse du gril.....	43
Level Range.....	17	Installation de la plaque à frire	44
Install Grill Grease Trays.....	18	Système d'allumage électronique.....	44
Install Griddle	19	Réinstallation du garde-pieds	46
Electronic Ignition System	19	Achever l'installation	46
Reinstall Kick Plate.....	21	CONVERSIONS POUR CHANGEMENT DE GAZ	47
Complete Installation	21	Conversion pour l'alimentation au propane	47
GAS CONVERSIONS	22	Conversion pour l'alimentation au gaz naturel	49
LP Gas Conversion	22		
Natural Gas Conversion	24		

IMPORTANT:

Save for local electrical inspector's use.

Installer: Leave installation instructions with the homeowner.

Homeowner: Keep installation instructions for future reference.

IMPORTANT :

À conserver pour consultation par l'inspecteur local des installations électriques.

Installateur : Remettre les instructions d'installation au propriétaire.

Propriétaire : Conserver les instructions d'installation pour référence ultérieure.

RANGE SAFETY

Your safety and the safety of others are very important.

We have provided many important safety messages in this manual and on your appliance. Always read and obey all safety messages.



This is the safety alert symbol.

This symbol alerts you to potential hazards that can kill or hurt you and others.

All safety messages will follow the safety alert symbol and either the word “DANGER” or “WARNING.”

These words mean:

⚠ DANGER

You can be killed or seriously injured if you don't immediately follow instructions.

⚠ WARNING

You can be killed or seriously injured if you don't follow instructions.

All safety messages will tell you what the potential hazard is, tell you how to reduce the chance of injury, and tell you what can happen if the instructions are not followed.

WARNING: If the information in this manual is not followed exactly, a fire or explosion may result causing property damage, personal injury or death.

- Do not store or use gasoline or other flammable vapors and liquids in the vicinity of this or any other appliance.
- **WHAT TO DO IF YOU SMELL GAS:**
 - Do not try to light any appliance.
 - Do not touch any electrical switch.
 - Do not use any phone in your building.
 - Immediately call your gas supplier from a neighbor's phone. Follow the gas supplier's instructions.
 - If you cannot reach your gas supplier, call the fire department.
- Installation and service must be performed by a qualified installer, service agency or the gas supplier.

WARNING: Gas leaks cannot always be detected by smell.

Gas suppliers recommend that you use a gas detector approved by UL or CSA.

For more information, contact your gas supplier.

If a gas leak is detected, follow the “What to do if you smell gas” instructions.

IMPORTANT: Do not install a ventilation system that blows air downward toward this gas cooking appliance. This type of ventilation system may cause ignition and combustion problems with this gas cooking appliance resulting in personal injury or unintended operation.

In the State of Massachusetts, the following installation instructions apply:

- Installations and repairs must be performed by a qualified or licensed contractor, plumber, or gasfitter qualified or licensed by the State of Massachusetts.
- If using a ball valve, it shall be a T-handle type.
- A flexible gas connector, when used, must not exceed 3 feet.

⚠ WARNING

Tip Over Hazard

A child or adult can tip the range and be killed.

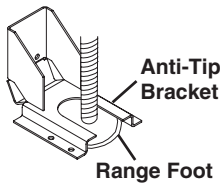
Install anti-tip bracket to floor or wall per installation instructions.

Slide range back so rear range foot is engaged in the slot of the anti-tip bracket.

Re-engage the anti-tip bracket if the range is moved.

Do not operate range without anti-tip bracket installed and engaged.

Failure to follow these instructions can result in death or serious burns to children and adults.



To verify the anti-tip bracket is installed and engaged:

- Slide range forward.
- Look for the anti-tip bracket securely attached to floor or wall.
- Slide range back so rear range foot is under anti-tip bracket.
- See installation instructions for details.

INSTALLATION REQUIREMENTS

Tools & Parts

Gather the required tools and parts before starting installation. Read and follow the instructions provided with any tools listed here.

Tools Needed



Pipe wrench



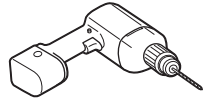
Adjustable wrench
or 5/8" wrench



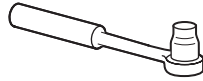
1/8 x 4 1/4" flat-blade
screwdriver



#2 Phillips screwdriver



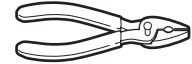
Drill



3/8" drive ratchet



15/16" combination wrench



Pliers



Level



Tubing cutter



1/4", 3/8", 5/16" nut drivers



Marker or pencil



3/16" carbide tip masonry bit



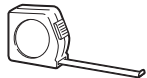
1/8" drill bit



Pipe-joint compound
resistant to LP gas

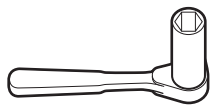


Noncorrosive leak-detection
solution



Tape measure

For LP/Natural Gas Conversions



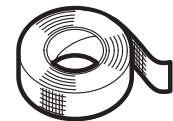
1/2" deep-well socket



Adjustable wrench



7 mm nut driver

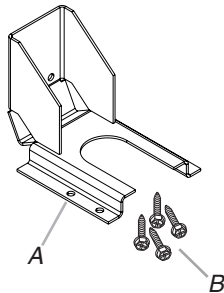


Masking tape

Parts Supplied

Check that all parts are included:

- Anti-tip bracket kit



A. Anti-tip bracket
B. #8-18 x 1" Phillips head screws (4)

NOTE: Anti-tip bracket must be securely mounted to subfloor. Thickness of flooring may require longer screws to anchor bracket to subfloor. Longer screws are available from your local hardware store. See the "Install Anti-Tip Bracket" section.

- Gas pressure regulator
- Burner grates
- Burner bases and burner caps
- Grill grate (on grill models)
- Wave tray (on grill models)
- Flame spreader (on grill models)
- Burner assembly (on grill models)
- Grease trays (2) (on grill models)
- Griddle drip tray (on griddle models)
- Grill drip tray (on grill models)
- Island trim
- LP orifice package (W10393255)
- Conversion label (W10393342)

NOTE: The cooktop is manufactured for use with Natural gas. To convert to LP gas, see the "Gas Conversions" section.

Additional Parts Supplied on Steam-Assist Models

- Model W10049700 water filter kit
- 1/4" to 1/4" water supply union

Parts Needed

- Power supply cord kit:
 - 30" (76.2 cm) and 36" (91.4 cm) models – A UL Listed 40-amp power supply cord kit
 - 48" (121.9 cm) models – A UL Listed 50-amp power supply cord kit marked for use with nominal 1³/₈" (34.93 mm) diameter connection openings
- A UL Listed strain relief
- UL Listed wire connectors
- All models must be installed with a backguard if installing at zero clearance to a combustible back wall surface such as drywall. Alternatively, zero clearance to a back wall is acceptable provided the surface of the entire back wall above the range and below the hood is covered with a non-combustible material such as tile or stainless steel. See "Cabinet Dimensions" in the "Location Requirements" section for installation requirements.
 - 30" (76.2 cm) Adjustable Backguard
Order Part Number 8285148
 - 36" (91.4 cm) Adjustable Backguard
Order Part Number 8284756
 - 48" (121.9 cm) Adjustable Backguard
Order Part Number 8284755
 - 9" (22.9 cm) Backguard for 30" (76.2 cm) Ranges
Order Part Number W10115773
 - 9" (22.9 cm) Backguard for 36" (91.4 cm) Ranges
Order Part Number W10115776
 - 9" (22.9 cm) Backguard for 48" (121.9 cm) Ranges
Order Part Number W10115777
 - 22" (55.9 cm) Backguard with Shelf for 30" (76.2 cm) Ranges
Order Part Number W10225950
 - 22" (55.9 cm) Backguard with Shelf for 36" (91.4 cm) Ranges
Order Part Number W10225949
 - 22" (55.9 cm) Backguard with Shelf for 48" (121.9 cm) Ranges
Order Part Number W10225948

To order, see the "Assistance or Service" section of the Use and Care Guide.

Additional Parts Needed on Steam-Assist Models

- Tubing staples/retainers
- 1/4" O.D. flexible codes-approved water supply tubing (to make water connection)
- Water connection device (to connect 1/4" O.D. tubing to water source). Check local codes for type of connection required.

Check local codes and consult gas supplier. Check existing gas supply and electrical supply. See the "Electrical Requirements" and "Gas Supply Requirements" sections.

It is recommended that all electrical connections be made by a licensed, qualified electrical installer.

High Altitude Conversion

To convert the cooktop for elevations above 6,560 ft (1999.5 m), order a High Altitude Conversion Kit.

- Part Number W10394296 – LP high altitude
- Part Number W10394295 – Natural gas high altitude

To order, see the "Assistance or Service" section of the Use and Care Guide.

Location Requirements

IMPORTANT: Observe all governing codes and ordinances. Do not obstruct flow of combustion and ventilation air.

- It is the installer's responsibility to comply with installation clearances specified on the model/serial/rating plate. The model/serial/rating plate is located on the right vertical surface of the oven doorframe.
- It is recommended that a 600 CFM or larger range hood be installed above the range.
- It is not recommended that a microwave hood combination be mounted above the range.
- Recessed installations must provide complete enclosure of the sides and rear of the range.
- To eliminate the risk of burns or fire by reaching over the heated surface units, cabinet storage space located above the surface units should be avoided. If cabinet storage is to be provided, the risk can be reduced by installing a range hood that projects horizontally a minimum of 5" (12.7 cm) beyond the bottom of the cabinets.
- All openings in the wall or floor where range is to be installed must be sealed.
- Do not seal the range to the side cabinets.
- Cabinet opening dimensions that are shown must be used. Given dimensions are minimum clearances.
- The anti-tip bracket must be installed. To install the anti-tip bracket shipped with the range, see the "Install Anti-Tip Bracket" section.
- Grounded electrical supply is required. See the "Electrical Requirements" section.
- Proper gas supply connection must be available. See the "Gas Supply Requirements" section.
- Contact a qualified floor covering installer to check that the floor covering can withstand at least 200°F (93°C). Use an insulated pad or 1/4" (0.64 cm) plywood over carpet and under range if installing range over carpeting.

IMPORTANT: To avoid damage to your cabinets, check with your builder or cabinet supplier to make sure that the materials used will not discolor, delaminate, or sustain other damage. This oven has been designed in accordance with the requirements of UL and CSA International and complies with the maximum allowable wood cabinet temperatures of 194°F (90°C).

Mobile Home – Additional Installation Requirements

The installation of this range must conform to the Manufactured Home Construction and Safety Standard, Title 24 CFR, Part 3280 (formerly the Federal Standard for Mobile Home Construction and Safety, Title 24, HUD Part 280). When such standard is not applicable, use the Standard for Manufactured Home Installations, ANSI A225.1/NFPA 501A, or local codes.

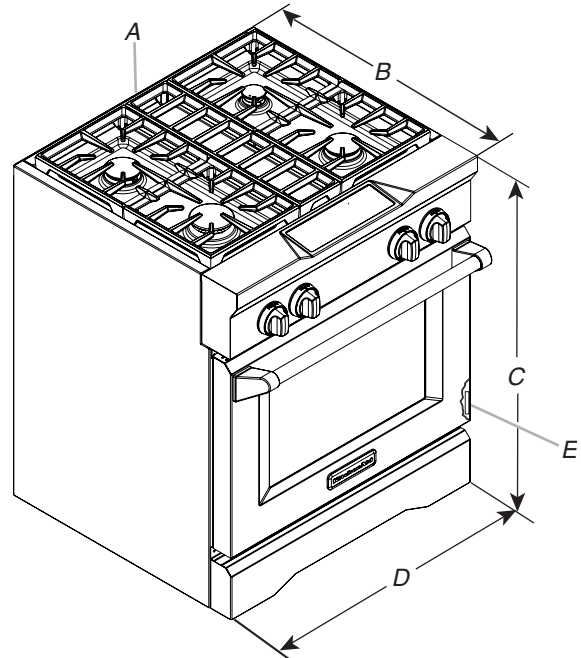
In Canada, the installation of this range must conform with the current standards CAN/CSA-A240 latest edition or with local codes.

Mobile Home Installations Require:

- When this range is installed in a mobile home, it must be secured to the floor during transit. Any method of securing the range is adequate as long as it conforms to the standards listed above.

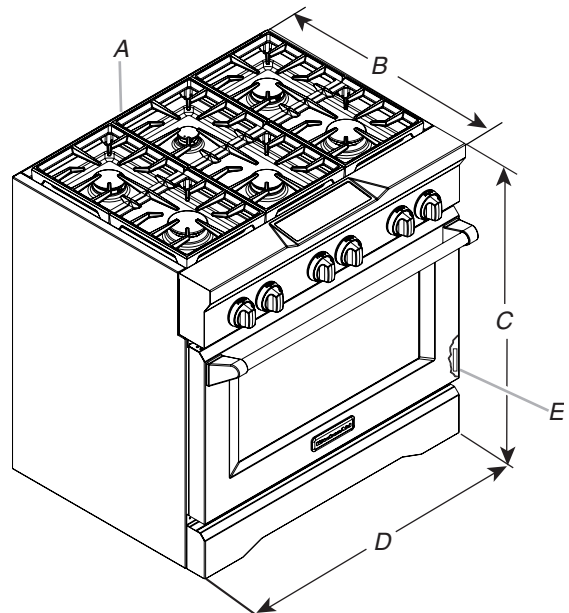
Product Dimensions

30" (76.2 cm) models



- A. Optional backguard may be installed.
- B. 27³/₄" (70.5 cm) depth with control panel (See NOTE)
- C. 35³/₄" (90.8 cm) cooktop height when sitting on the wheels
- D. 30" (76.2 cm) width
- E. Model/serial/rating plate location

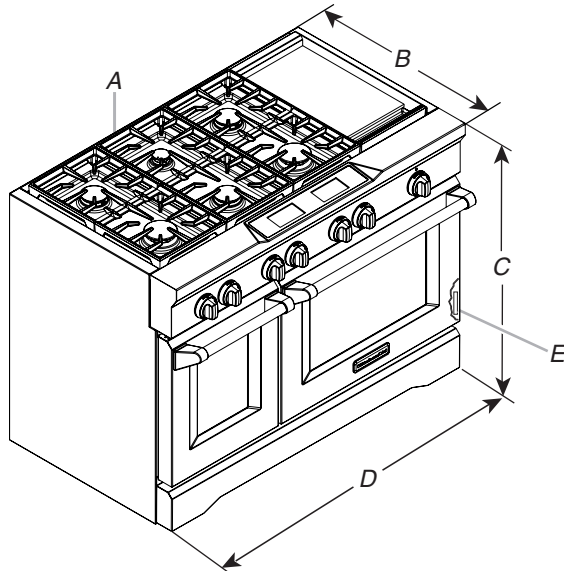
36" (91.4 cm) models



- A. Optional backguard may be installed.
- B. 27³/₄" (70.5 cm) depth with control panel (See NOTE)
- C. 35³/₄" (90.8 cm) cooktop height when sitting on the wheels
- D. 36" (91.4 cm) width
- E. Model/serial/rating plate location

48" (121.9 cm) models

NOTE: The following illustration is for dimension planning purposes only, and the locations and appearances of the features shown may not match those of your model.



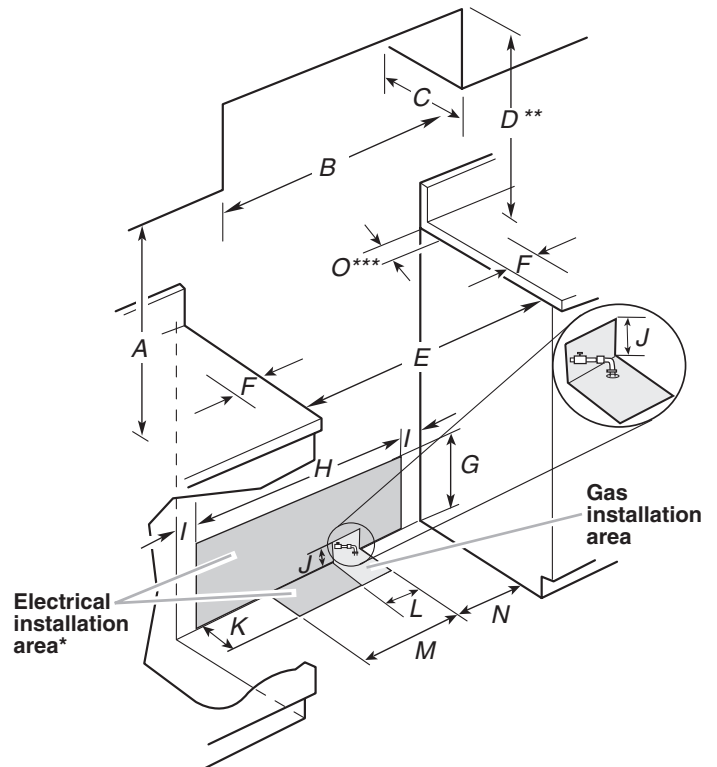
- A. Optional backguard may be installed.
- B. 27³/₄" (70.5 cm) depth with control panel (See NOTE)
- C. 35³/₄" (90.8 cm) cooktop height when sitting on the wheels
- D. 48" (121.9 cm) width
- E. Model/serial/rating plate location

NOTE: When installed in a 24" (61.0 cm) base cabinet with 25" (63.5 cm) countertop, front of oven door protrudes 1⁷/₈" (4.8 cm) beyond 24" (61.0 cm) base cabinet.

Cabinet Dimensions

Cabinet opening dimensions shown are for 25" (64.0 cm) countertop depth, 24" (61.0 cm) base cabinet depth, and 36" (91.4 cm) countertop height. Dimensions must be met in order to ensure a flush fit to back wall.

IMPORTANT: If installing a range hood or hood liner above the range, follow the range hood or hood liner installation instructions for dimensional clearances above the cooktop surface.



- A. 18" (45.7 cm) upper cabinet to countertop
- B. 30" (76.2 cm) model: 30" (76.2 cm) min. upper cabinet width
36" (91.4 cm) model: 36" (91.4 cm) min. upper cabinet width
48" (121.9 cm) model: 48" (121.9 cm) min. upper cabinet width
- C. 13" (33 cm) max. upper cabinet depth
- D. For minimum clearance to top of range**
- E. 30¹/₄" (76.8 cm) on 30" (76.2 cm) models
36¹/₄" (92.1 cm) on 36" (91.4 cm) models
48¹/₄" (122.6 cm) on 48" (121.9 cm) models
- F. 6" (15.2 cm) min. clearance from both sides of range to side wall or other combustible material
- G. 15" (38.1 cm)
- H. 22" (55.9 cm) on 30" (76.2 cm) models
28" (71.1 cm) on 36" (91.4 cm) models
40" (101.6 cm) on 48" (121.9 cm) models
- I. 1¹/₂" (3.8 cm)
- J. 3" (7.6 cm)
- K. 5" (12.7 cm)
- L. 6" (15.2 cm) on 30" (76.2 cm) models
14" (35.5 cm) on 36" (91.4 cm) models
24" (61.0 cm) on 48" (121.9 cm) models
- M. 10¹/₂" (26.7 cm)
- N. 6" (15.2 cm)
- O. 6" (15.2 cm)***

*Receptacle must be rotated 90° for Canadian installation.

**Minimum Clearances

30" (76.2 cm) models: 30" (76.2 cm) minimum clearance between the top of the cooking platform and the bottom of an uncovered wood or metal cabinet

36" (91.4 cm) models: 42" (106.7 cm) minimum clearance between the top of the cooking platform and the bottom of an uncovered wood or metal cabinet

48" (121.9 cm) models: 42" (106.7 cm) minimum clearance between the top of the cooking platform and the bottom of an uncovered wood or metal cabinet

***If the surface of the back wall is constructed of a combustible material and a backguard is not installed, a 6" (15.2 cm) minimum clearance is required for all models.

Water Filtration System Location Requirements

(on some models)

For best results, do not install the water filtration system outside or in extreme hot or cold temperatures. Temperature of water supply to the water filtration system must be between 40°F (4°C) and 100°F (38°C). Do not install on hot water supply line.

Locate the water filtration system near the cold water supply pipe under the kitchen sink to filter cold water.

Make sure that the water filter assembly is installed in the upright position.

It will be necessary to drill a 1/2" (1.3 cm) minimum diameter hole in the upper-right or left rear corner of the side wall of the cabinet under the sink to route the water supply tubing through to the range.

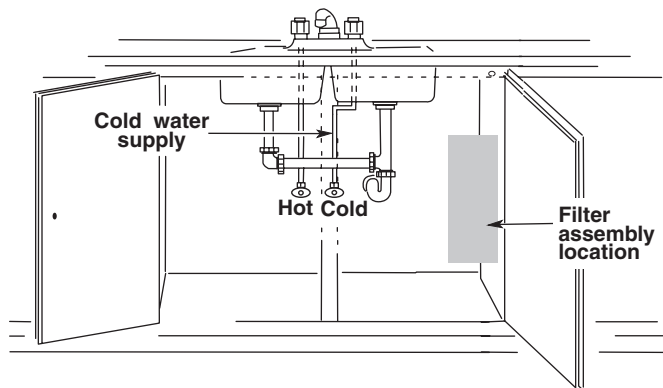
Depending on your installation configuration, more routing holes may be required.

Coil enough flexible codes-approved water supply tubing behind the range to allow for the connection to the range to be made behind the range prior to setting the range in place.

Typical Installation Configuration

NOTE: For unique installations, contact a licensed plumber.

In Massachusetts, a licensed plumber is required and the Commonwealth of Massachusetts Plumbing Code 248-CMR will be adhered to.



Water Supply Requirements

A cold water supply with water pressure between 30 and 120 psi (207 and 827 kPa) is required to operate the steam feature. In Massachusetts, plumbing code 248 CMR 3.00 and 10.00 must be followed, and a licensed plumber will be used. If you have questions about your water pressure, call a licensed, qualified plumber.

Reverse Osmosis Water Supply

IMPORTANT: The pressure of the water supply coming out of a reverse osmosis system going to the water inlet valve of the range needs to be between 30 and 120 psi (207 and 827 kPa).

If a reverse osmosis water filtration system is connected to your cold water supply, the water pressure to the reverse osmosis system needs to be a minimum of 40 psi (276 kPa).

If the water pressure to the reverse osmosis system is less than 40 psi (276 kPa):

- Check to see whether the sediment filter in the reverse osmosis system is blocked. Replace the filter, if necessary.
- Allow the storage tank on the reverse osmosis system to refill after heavy usage.

If you have questions about your water pressure, call a licensed, qualified plumber.

Electrical Requirements – U.S.A. Only

If codes permit and a separate ground wire is used, it is recommended that a qualified electrical installer determine that the ground path and wire gauge are in accordance with local codes.

If codes permit and a separate ground wire is used, it is recommended that a qualified electrician determine that the ground path is adequate.

Do not use an extension cord.

Be sure that the electrical connection and wire size are adequate and in conformance with the National Electrical Code, ANSI/NFPA 70-latest edition and all local codes and ordinances.

A copy of the above code standards can be obtained from:

National Fire Protection Association
1 Batterymarch Park
Quincy, MA 02169-7471

WARNING: Improper connection of the equipment-grounding conductor can result in a risk of electric shock. Check with a qualified electrician or service technician if you are in doubt as to whether the appliance is properly grounded. Do not modify the power supply cord plug. If it will not fit the outlet, have a proper outlet installed by a qualified electrician.

Electrical Connection

To properly install your range, you must determine the type of electrical connection you will be using and follow the instructions provided for it here.

- Range must be connected to the proper electrical voltage and frequency as specified on the model/serial/rating plate. The model/serial/rating plate is located on the right vertical surface of the oven door frame. Refer to the illustrations in “Product Dimensions” of the “Location Requirements” section.
- This range may be manufactured with a 4-wire power supply cord or may not include a power supply cord. If your range does not include a power supply cord, use a 4-wire power supply cord rated at 250 volts, 40 or 50 amps, and investigated for use with ranges.

Range Rating*		Specified Rating of Power Supply Cord Kit and Circuit Protection	
120/240 Volts	120/208 Volts	Amps	Range Size
8.8–16.5 kW	7.8–12.5 kW	40 or 50**	30" (76.2 cm) 36" (91.4 cm)
16.6–22.5 kW	12.6–18.5 kW	50	48" (121.9 cm)

* The NEC calculated load is less than the total connected load listed on the model/serial/rating plate.

** If connecting to a 50-amp circuit, use a 50-amp rated cord with kit. For 50-amp rated cord kits, use kits that specify use with a nominal 1³/₈" (34.9 mm) diameter connection opening.

- A circuit breaker is recommended.
- Wire sizes and connections must conform with the rating of the range.
- The Tech Sheet is located behind the kick plate in a clear plastic bag.

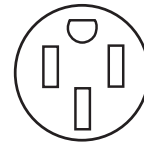
If connecting to a 4-wire system:

This range is manufactured with the ground connected to the cabinet. The ground must be revised, so the green ground wire of the 4-wire power supply cord is connected to the cabinet. See the “Electrical Connection – U.S.A. Only” section.

Grounding through the neutral conductor is prohibited for new branch-circuit installations (1996 NEC), mobile homes, recreational vehicles, or an area where local codes prohibit grounding through the neutral conductor.

When a 4-wire receptacle of NEMA Type 14-50R is used, a matching UL Listed, 4-wire, 250-volt, 40- or 50-amp, range power supply cord must be used. This cord contains 4 copper conductors with ring terminals or open-end spade terminals with upturned ends, terminating in a NEMA Type 14-50R plug on the supply end.

The fourth (grounding) conductor must be identified by a green or green/yellow cover and the neutral conductor by a white cover. Cord should be Type SRD or SRDT with a UL Listed strain relief and be at least 4 ft (1.22 m) long.



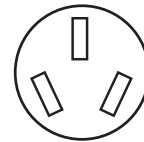
4-wire receptacle (14-50R)

The minimum conductor sized for the copper 4-wire power cord are:

- 40-amp circuit
- 2 No.-8 conductors
- 1 No.-10 white neutral
- 1 No.-10 green grounding

If connecting to a 3-wire system:

Local codes may permit the use of a UL Listed, 3-wire, 250-volt, 40- or 50-amp range power supply cord (pigtail). This cord contains 3 copper conductors with ring terminals or open-end spade terminals with upturned ends, terminating in a NEMA Type 10-50P plug on the supply end. Connectors on the appliance end must be provided at the point the power supply cord enters the appliance. This uses a 3-wire receptacle of NEMA Type 10-50R.



3-wire receptacle (10-50R)

Electrical Requirements – Canada Only

⚠ WARNING



Electrical Shock Hazard

Electrically ground range.

Failure to do so can result in death, fire, or electrical shock.

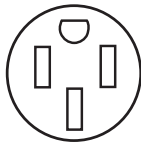
If codes permit and a separate ground wire is used, it is recommended that a qualified electrical installer determine that the ground path and wire gauge are in accordance with local codes.

Be sure that the electrical connection and wire size are adequate and in conformance with the CSA Standard C22.1, Canadian Electrical Code, Part 1 - latest edition, and all local codes and ordinances.

A copy of the above code standards can be obtained from:

Canadian Standards Association
178 Rexdale Blvd.
Toronto, ON M9W 1R3 CANADA

- Check with a qualified electrical installer if you are not sure the range is properly grounded.
- When a 4-wire, single-phase 250-volt, 60 Hz., AC-only electrical supply is available, a 40-amp minimum circuit protection is required on 30" (76.2 cm) and 36" (91.4 cm) ranges and a 50-amp minimum circuit protection is required on 48" (121.9 cm) ranges, fused on both sides of the line.
- A time-delay fuse or circuit breaker is recommended.
- This range is equipped with a CSA International Certified Power Cord intended to be plugged into a standard 14-50R wall receptacle. Be sure the wall receptacle is within reach of range's final location.



- Do not use an extension cord.

Gas Supply Requirements

⚠ WARNING



Explosion Hazard

Use a new CSA International approved gas supply line.

Install a shut-off valve.

Securely tighten all gas connections.

If connected to LP, have a qualified person make sure gas pressure does not exceed 14" (36 cm) water column.

Examples of a qualified person include:

**licensed heating personnel,
authorized gas company personnel, and
authorized service personnel.**

Failure to do so can result in death, explosion, or fire.

Observe all governing codes and ordinances.

IMPORTANT: This installation must conform with all local codes and ordinances. In the absence of local codes, installation must conform with American National Standard, National Fuel Gas Code ANSI Z223.1/NFPA 54 - latest edition or CAN/CGA B149 - latest edition.

IMPORTANT: Range cooktop must be connected to a regulated gas supply.

IMPORTANT: Leak testing of the range cooktop must be conducted according to the manufacturer's instructions.

Type of Gas

Natural Gas:

This range is factory set for use with Natural gas. The model/serial/rating plate located on the right vertical surface of the oven door frame has information on the types of gas that can be used. If the types of gas listed do not include the type of gas available, check with the local gas supplier.

LP Gas Conversion:

Conversion must be done by a qualified service technician.

No attempt shall be made to convert the range cooktop from the gas specified on the model/serial/rating plate for use with a different gas without consulting the serving gas supplier. To convert to LP gas, use the LP gas conversion kit provided with your range and see the "Gas Conversions" section. The parts for this kit are in the literature package supplied with the range.

Gas Supply Line

- Provide a gas supply line of $\frac{3}{4}$ " (1.9 cm) rigid pipe to the range location. A smaller size pipe on longer runs may result in insufficient gas supply. With LP gas, piping or tubing size can be $\frac{1}{2}$ " (1.3 cm) minimum. Usually, LP gas suppliers determine the size and materials used in the system.

NOTE: Pipe-joint compounds that resist the action of LP gas must be used. Do not use TEFLON[†] tape.

Flexible metal appliance connector:

- If local codes permit, a new CSA design-certified, 4-5 ft (122-152.4 cm) long, $\frac{5}{8}$ " (1.6 cm) or $\frac{3}{4}$ " (1.9 cm) I.D. flexible metal appliance connector may be used for connecting range to the gas supply line.

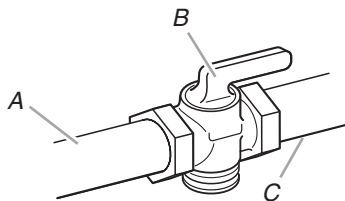


- A $\frac{1}{2}$ " (1.3 cm) male pipe thread is needed for connection to the female pipe threads of the inlet to the range pressure regulator.
- Do not kink or damage the flexible metal tubing when moving the range.

IMPORTANT: All connections must be wrench-tightened. Do not make connections to the gas regulator too tight. Making the connections too tight may crack the regulator and cause a gas leak. Do not allow the regulator to turn or move when tightening fittings.

- Must include a shut-off valve:

The supply line must be equipped with a manual shut-off valve. This valve should be located in the same room but external to the range opening such as an adjacent cabinet. It should be in a location that allows ease of opening and closing. Do not block access to shut-off valve. The valve is for turning on or shutting off gas to the range.



A. Gas supply line
B. Shut-off valve "open" position
C. To range

Gas Pressure Regulator

The gas pressure regulator supplied with this range must be used. The inlet pressure to the regulator should be as follows for proper operation:

Natural Gas:

Minimum pressure: 6" (15.2 cm) WCP

Maximum pressure: 14" (35.6 cm) WCP

LP Gas:

Minimum pressure: 11" (27.9 cm) WCP

Maximum pressure: 14" (35.6 cm) WCP

Contact local gas supplier if you are not sure about the inlet pressure.

Burner Input Rating – Altitude

Input ratings shown on the model/serial/rating plate are for elevations up to 2,000 ft (609.6 m).

For elevations above 2,000 ft (609.6 m), ratings are reduced at a rate of 4% for each 1,000 ft (304.8 m).

Gas Supply Pressure Testing

Gas supply pressure for testing regulator must be at least 1" (2.5 cm) water column pressure above the manifold pressure shown on the model/serial/rating plate.

Line Pressure Testing Above $\frac{1}{2}$ psi Gauge (14" WCP)

The range and its individual shut-off valve must be disconnected from the gas supply piping system during any pressure testing of that system at test pressures in excess of $\frac{1}{2}$ psi (3.5 kPa).

Line Pressure Testing at $\frac{1}{2}$ psi Gauge (14" WCP) or Lower

The range must be isolated from the gas supply piping system by closing its individual manual shut-off valve during any pressure testing of the gas supply piping system at test pressures equal to or less than $\frac{1}{2}$ psi (3.5 kPa).

[†]TEFLON is a registered trademark of Chemours.

INSTALLATION INSTRUCTIONS

Unpack the Range

! WARNING

Excessive Weight Hazard

Use two or more people to move and install range.
Failure to do so can result in back or other injury.

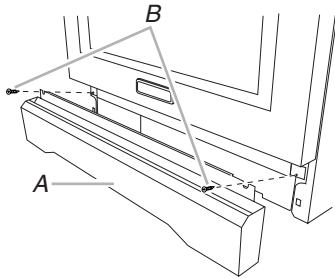
1. Remove shipping materials, tape, and film from range. Keep shipping pallet under range. Remove oven racks, grates, and parts package from inside oven.

2. Remove kick plate.

Your range will either have the kick plate already installed (follow Option 1) or packaged on top of the unit (follow Option 2).

Option 1

- a. Remove foam between door and kick plate.
- b. Remove screws from kick plate.

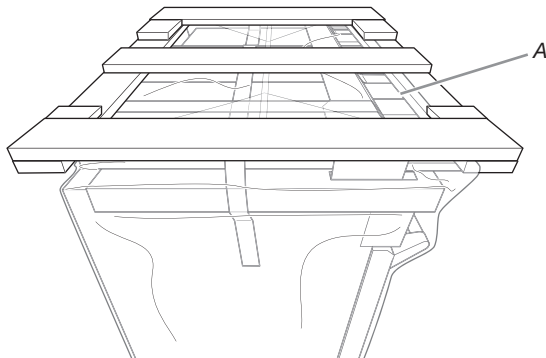


A. Kick plate
B. Remove these screws.

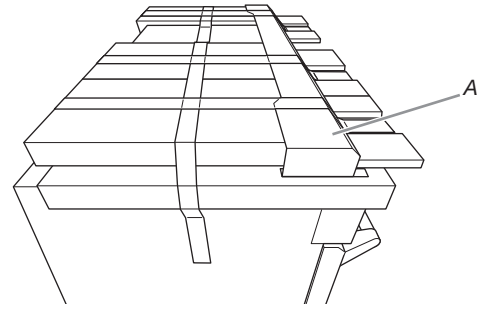
- c. Lift up on kick plate to release plate from shoulder screws.
- d. Lay kick plate to the side to avoid scratching the stainless steel.

Option 2

- a. Remove kick plate from top of range and grate pack.

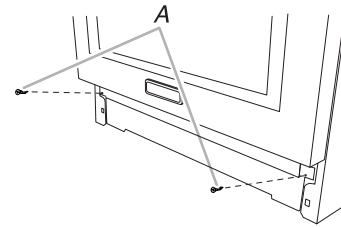


A. Kick plate
In packaging



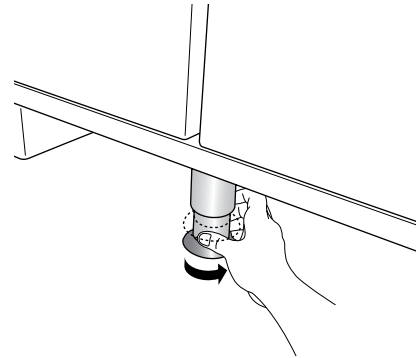
A. Kick plate
Packaging removed

- b. Lay kick plate to the side to avoid scratching the stainless steel.
- c. Remove screws from range.



A. Remove these screws.

3. For 48" (121.9 cm) models only, rotate center support counterclockwise off the pallet until it stops.



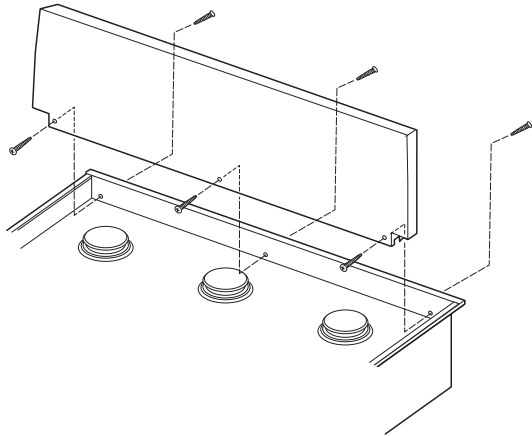
NOTE: This support is used only for shipping and is not needed for installation.

4. Lay a piece of cardboard from side packaging on the floor behind range. Using 2 or more people, firmly grasp each side of range. Lift range up about 3" (8.0 cm) and move it back until range is off shipping pallet. Set range on cardboard to avoid damaging floor.

Install Optional Backguard

All ranges may require a backguard. See "Cabinet Dimensions" in the "Location Requirements" section. See the "Tools and Parts" section for information on ordering.

Remove island trim and attach backguard using 6 screws. Insert 3 from the front and 3 from the back (9" [22.9 cm] backguard shown).



Install Anti-Tip Bracket

WARNING



Tip Over Hazard

A child or adult can tip the range and be killed.

Install anti-tip bracket to floor or wall per installation instructions.

Slide range back so rear range foot is engaged in the slot of the anti-tip bracket.

Re-engage anti-tip bracket if range is moved.

Do not operate range without anti-tip bracket installed and engaged.

Failure to follow these instructions can result in death or serious burns to children and adults.

1. Determine which mounting method to use: floor or wall.
If you have a stone or masonry floor, you can use the wall-mounting method.
2. Determine and mark centerline of the cutout space. The mounting bracket must be installed on the right side of the cutout. Position mounting bracket in cutout as shown in the following illustration.

Measurement B:

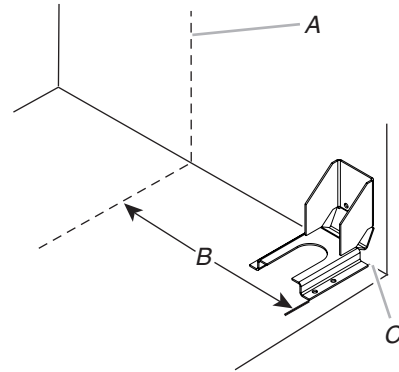
30" (76.2 cm) ranges: 14¹/₄" (36.1 cm)

36" (91.4 cm) ranges: 17¹/₄" (43.8 cm)

48" (121.9 cm) ranges: 23³/₈" (59.3 cm)

Measurement C:

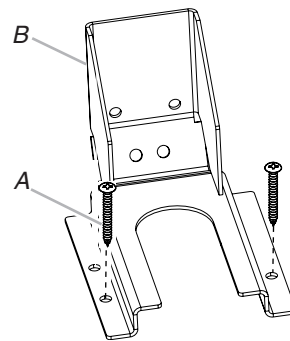
Optional distance from back wall. If back wall is constructed of a combustible material and a backguard is not installed, a 6" (15.2 cm) minimum clearance is required for all models. Install anti-tip bracket accordingly.



- A. Centerline
- B. Centerline of cutout to outside edge of anti-tip bracket
- C. Back wall to back of range

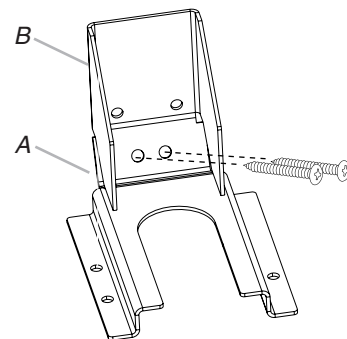
3. Drill two 1/8" (3.0 mm) holes that correspond to the bracket holes of the determined mounting method. See the following illustrations.

Floor Mounting



- A. #12 x 1⁵/₈" screws
- B. Anti-tip bracket

Wall Mounting



- A. #12 x 1⁵/₈" screws
- B. Anti-tip bracket

4. Using a Phillips screwdriver, mount anti-tip bracket to the wall or floor with the two #12 x 1⁵/₈" screws provided.
Depending on the thickness of your flooring, longer screws may be necessary to anchor the bracket to the subfloor. Longer screws are available from your local hardware store.
5. Move range close enough to opening to allow for electrical connections to be made. Remove shipping base, cardboard, or hardboard from under range.
6. Continue installing your range using the following installation instructions.

Electrical Connection — U.S.A. Only

30" (76.2 cm) and 36" (91.4 cm) Models

⚠ WARNING



Electrical Shock Hazard

- Disconnect power before servicing.
- Use a new 40 amp power supply cord.
- Plug into a grounded outlet.
- Failure to follow these instructions can result in death, fire, or electrical shock.

48" (121.9 cm) Models

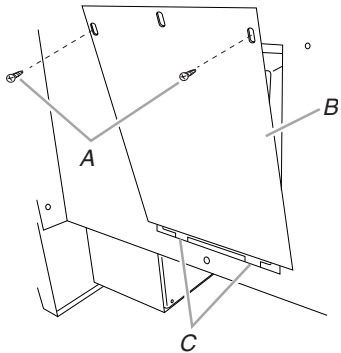
⚠ WARNING



Electrical Shock Hazard

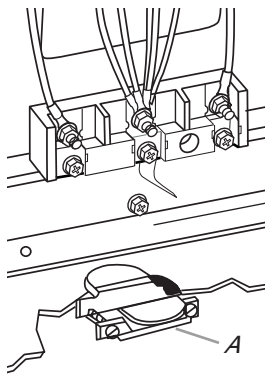
- Disconnect power before servicing.
- Use a new 50 amp power supply cord.
- Plug into a grounded outlet.
- Failure to follow these instructions can result in death, fire, or electrical shock.

1. Disconnect power.
2. Remove the terminal block cover screws and disengage mounting tabs to remove terminal block cover from back of range.



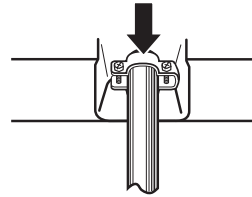
- A. Phillips head screws
- B. Terminal block cover
- C. 2 mounting tabs at bottom

3. Add power supply cord strain relief.
 - Assemble a UL Listed strain relief in the opening.



A. UL Listed strain relief

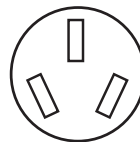
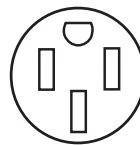
- Tighten strain-relief screw against the power supply cord.



4. Complete installation following instructions for your type of electrical connection:
 - 4-wire** (recommended)
 - 3-wire** (if 4-wire is not available)

Electrical Connection Options

If your home has:	And you will be connecting to:	Go to section:
4-wire receptacle (NEMA type 14-50R)	A UL Listed, 250-volt minimum, 40- or 50-amp, range power supply cord	4-wire connection: Power supply cord
3-wire receptacle (NEMA type 10-50R)	A UL Listed, 250-volt minimum, 40- or 50-amp, range power supply cord	3-wire connection: Power supply cord

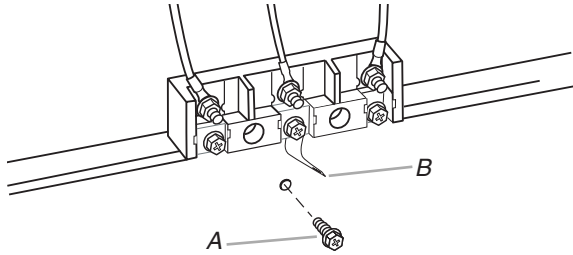


4-wire connection: Power supply cord

Use this method for:

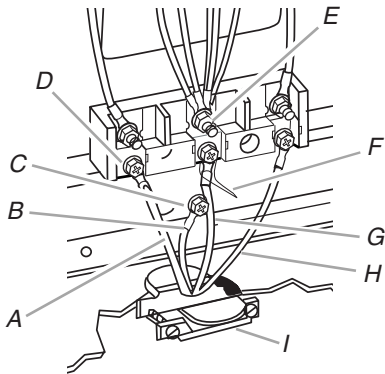
- New branch-circuit installations (1996 NEC)
- Mobile homes
- Recreational vehicles
- In an area where local codes prohibit grounding through the neutral.

1. Remove the ground-link screw from the range frame. Save the ground-link screw. Bend the ground link away from the range so that it does not contact the range.



A. Ground-link screw
B. Ground link bent away from range

2. Connect the green ground wire from the power supply cord to the range using the ground-link screw. The ground wire must be attached first and must not contact any other terminal.
3. Use a 1/4" nut driver to remove the hex washer head screws from the terminal blocks.
4. Connect the neutral (center) wire to the center terminal connector using one of the hex washer head screws. Securely tighten screw for proper electrical connection.



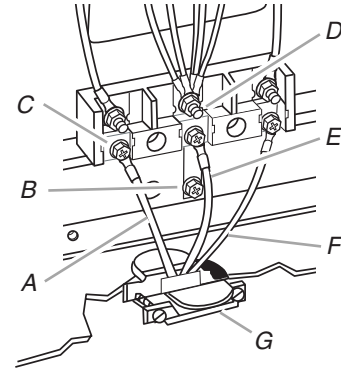
A. Line 1
B. Green ground wire
C. Ground-link screw
D. Hex washer head screw
E. Silver-colored terminal block screw
F. Ground link
G. Neutral (center) wire
H. Line 2
I. UL Listed strain relief and 40- or 50-amp range power supply cord

5. Connect the other 2 wires (lines 1 and 2) to the outer aluminum terminal blocks.
6. Securely tighten screws for proper electrical connection.
7. Tighten strain-relief screws.
8. Replace terminal block cover.

3-wire connection: Power supply cord

Use this method only if local codes permit connecting cabinet-ground conductor to neutral wire of power supply cord.

1. Use a 1/4" nut driver and remove the hex washer head screws from the aluminum terminal blocks.
2. Connect the neutral (center) wire to the center terminal connector using one of the hex washer head screws. Securely tighten screw for proper electrical connection.



A. Line 1
B. Ground link
C. Hex washer head screw
D. Silver-colored terminal block screw
E. Neutral (center) wire
F. Line 2
G. UL Listed strain relief and 40- or 50-amp range power supply cord

3. Connect the other 2 wires (lines 1 and 2) to the outer terminal screws on the terminal block.
4. Tighten strain-relief screws.
5. Replace terminal block cover.

Install Water Filtration System (on some models)

Install Model W10049700 Water Filter

1. Install the water filter near the cold water supply pipe under the kitchen sink to filter the cold water.

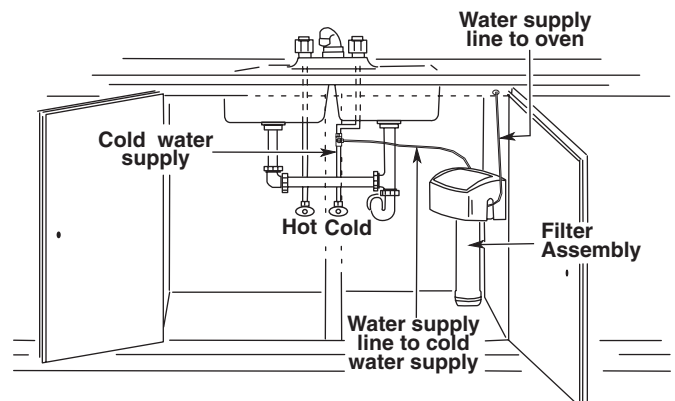
IMPORTANT: Be sure to allow a minimum clearance of 1 1/2" (3.8 cm) under the filter system for removing the filter cartridge.

Make sure that the water filter assembly is installed in the upright position.

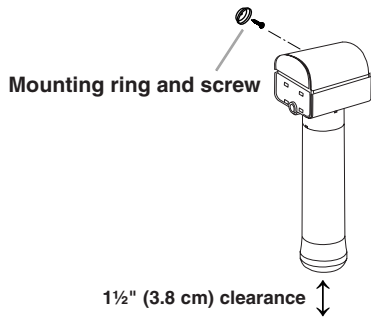
Typical Installation Configuration

NOTE: For unique installations, contact a licensed plumber.

In Massachusetts, a licensed plumber is required and the Commonwealth of Massachusetts Plumbing Code 248-CMR will be adhered to.



- Attach the supplied water filter mounting ring and screw at the recommended location.
- Attach filter to the mounting ring.



Connect to Home Water Supply

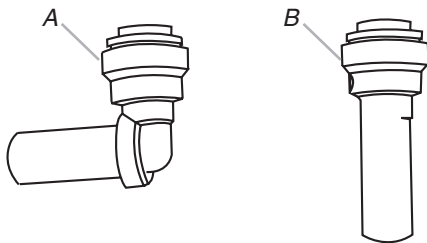
- Make connection to the cold water supply line.
 - A leak-tight connection to the 1/4" flexible codes-approved water supply line must be provided.
 - Check local codes for type of connection required.
 - Flexible codes-approved water supply line must be cut with a tubing cutter so the ends are concentric and without burrs.

NOTE: It is recommended that the cold water line be soft water.

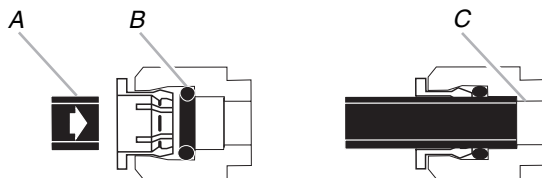
Connect to Water Filter Inlet (yellow)

NOTE: Use the quick-connect stem and/or elbow adapter fittings in the combination needed for your installation configuration.

- Attach the supplied 3/8" to 1/4" stem or 3/8" to 1/4" elbow quick-connect adapter fitting to the yellow water filter inlet connection by pushing the quick-connect fitting past the O-ring until you hit the backstop.

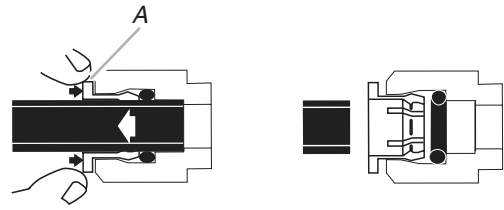


- Connect the flexible codes-approved water supply line (not provided) from the home cold water supply pipe to the quick-connect adapter fitting you just installed on the filter inlet (yellow) side of the water filter.
- Pull tube to ensure it is secured.



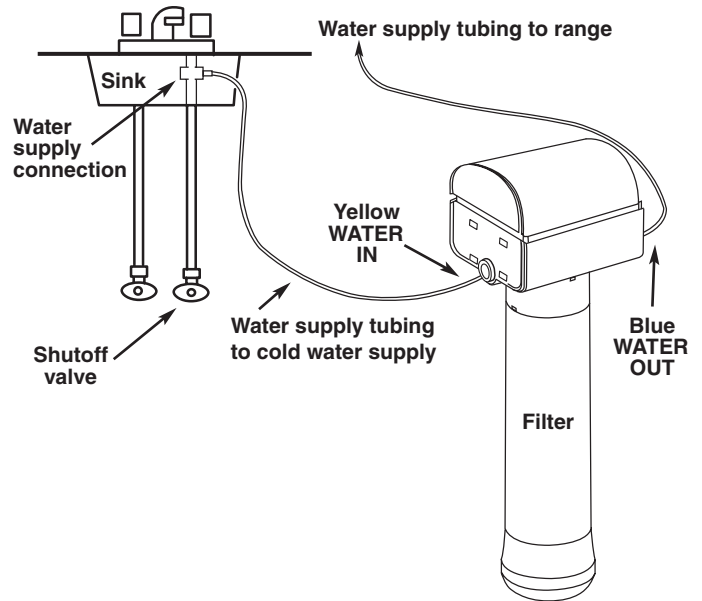
If you need to release tubing:

Push in collet to release tubing. With collet held in, pull tubing straight out.

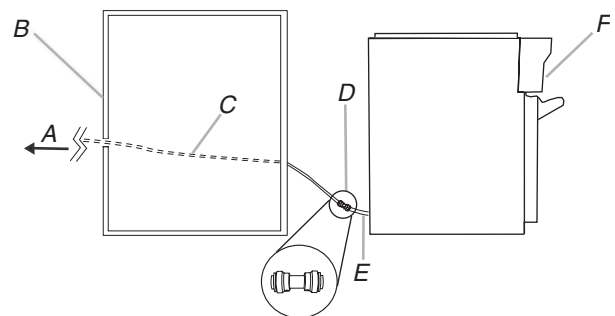


Connect to Water Filter Outlet (blue)

- Attach the supplied 3/8" to 1/4" stem or 3/8" to 1/4" elbow quick-connect adapter fitting to the blue water filter outlet connection by pushing the quick-connect fitting past the O-ring until you hit the backstop.
- Connect another piece of flexible codes-approved water supply line to the quick-connect adapter fitting you just installed on the filter outlet (blue) side of the water filter.
- Pull tube to ensure it is secured.



- Route flexible codes-approved water supply line through under-sink cabinet and oven cabinet cutout.
- Connect the flexible codes-approved water supply line to the range copper tubing, using a 1/4" to 1/4" water supply union.



- A. To home water supply
- B. Rear of cabinet cutout
- C. Flexible codes-approved water supply line from home water supply
- D. 1/4" to 1/4" water supply union (supplied in water filter kit)
- E. Oven copper tubing
- F. Range front

- Turn on water supply.
- Check all connections for leaks.

NOTE: No flushing or conditioning of the water filter is required prior to use.

Make Gas Connection

WARNING



Explosion Hazard

Use a new CSA International approved gas supply line.

Install a shut-off valve.

Securely tighten all gas connections.

If connected to LP, have a qualified person make sure gas pressure does not exceed 14" (36 cm) water column.

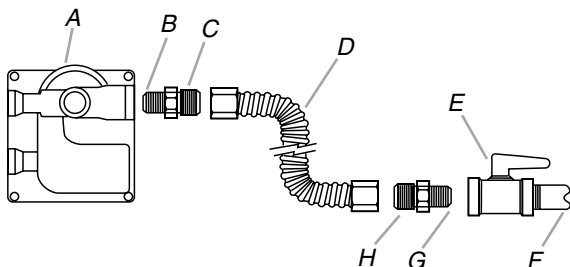
Examples of a qualified person include:

**licensed heating personnel,
authorized gas company personnel, and
authorized service personnel.**

Failure to do so can result in death, explosion, or fire.

- Assemble flexible connector from gas supply pipe to pressure regulator located in the middle rear of the range.
- Apply pipe-joint compound made for use with LP gas to the smaller thread ends of the flexible connector adapters. (See B and G in the following illustration.)
- Attach one adapter to the gas pressure regulator and the other adapter to the gas shut-off valve. Tighten both adapters, being certain not to move or turn the gas pressure regulator.
- Use a $15/16$ " combination wrench and an adjustable wrench to attach the flexible gas supply to the adapters. Check that connector is not kinked.

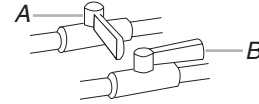
IMPORTANT: All connections must be wrench-tightened. Do not make connections to the gas regulator too tight. Making the connections too tight may crack the regulator and cause a gas leak. Do not allow the regulator to turn or move when tightening fittings.



- | | |
|-------------------------------------------------|--------------------------------|
| A. Gas pressure regulator | E. Manual gas shut-off valve |
| B. Use pipe-joint compound. | F. $1/2$ " or $3/4$ " gas pipe |
| C. Adapter (must have $1/2$ " male pipe thread) | G. Use pipe-joint compound. |
| D. Flexible connector | H. Adapter |

Complete Connection

- Open the manual shut-off valve in the gas supply line. The valve is open when the handle is parallel to the gas pipe.

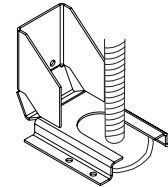


- A. Closed valve
B. Open valve

- Test all connections by brushing on an approved noncorrosive leak-detection solution. If bubbles appear, a leak is indicated. Correct any leak found.
- Remove cooktop burner caps, burner bases, and grates from parts package. Place burner bases on cooktop and burner caps on burner bases. Place grates over burners and caps.
- Check that the range is plugged into the appropriate grounded outlet. (See the "Electrical Requirements" section.)
- Turn on power supply. For further information, please refer to the user instructions located in the Use and Care Guide.

Verify Anti-Tip Bracket Location

- Using a $5/16$ " socket or wrench, turn all 4 leveling rods one full turn to raise the range and provide enough clearance for the rear leveling leg to slide into the anti-tip bracket.

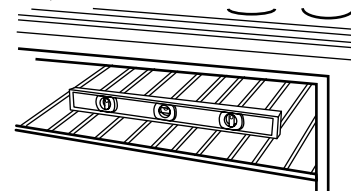


- Move range into its final location, making sure rear leveling leg slides into anti-tip bracket.
- Use a flashlight to look underneath the bottom of the range and visually check that the rear range foot is inserted into the slot of the anti-tip bracket.

Level Range

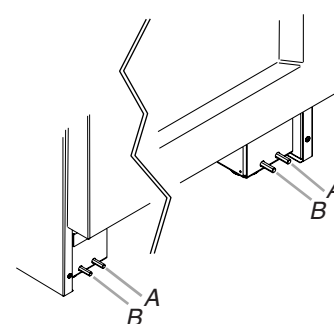
NOTE: Range must be level for satisfactory baking performance.

- Place rack in oven.
- Place level on rack and check levelness of the range – first side to side, then front to back.



- If range is not level, adjust the leveling rods. Turn leveling rods located behind the kick plate to level range and to raise or lower range to the desired countertop height.

NOTE: All roller feet must be off the floor upon final installation.

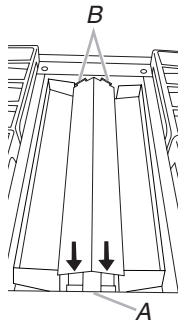


- A. Rear leveling rod
B. Front and brass leveling rod

Install Grill Grease Trays

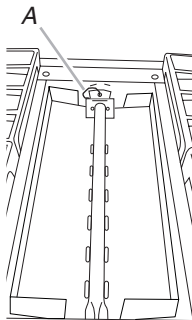
(on grill models)

1. Remove flame spreader. Pull forward slightly on the flame spreader to release the tabs from the rear slots and lift out.



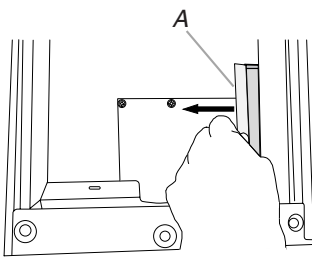
A. Grill front
B. Rear tabs and slots

2. Cut and remove tie strap from rear of burner assembly.



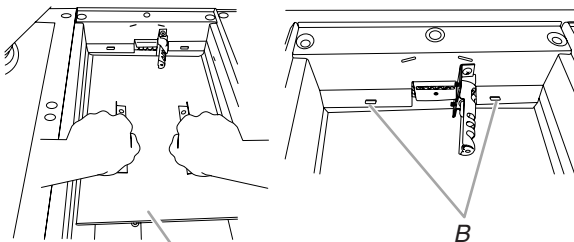
A. Tie strap

3. Lift burner assembly up and out to remove.
4. Slide drip tray into opening on the right front side of the grill basin. There are guides to assure correct placement of the drip tray.



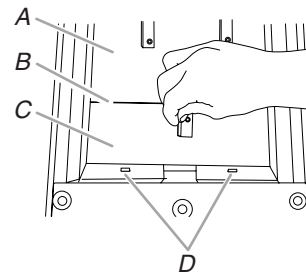
A. Drip tray

5. Insert the large grease tray all the way under the back edge of the grill basin and hook it into the slots.



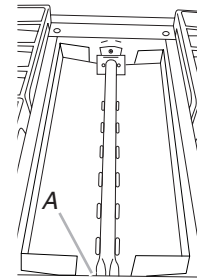
A. Large grease tray
B. Slots

6. Insert the small grease tray all the way under the front of the grill basin and hook it into the slots. When the 2 grease trays are installed properly, the small grease tray will hook over the large grease tray.



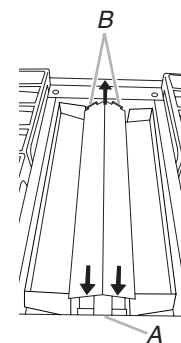
A. Large grease tray
B. Grease tray connection
C. Small grease tray
D. Slots

7. Insert the orifice tube on the front of the burner assembly into the opening at the front of the grill basin and set burner assembly into place.



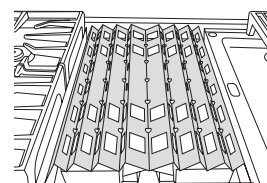
A. Front opening

8. Insert front tabs of the flame spreader into slots at the front of the grill basin, then the rear tabs into the rear slots.



A. Front tabs and slots
B. Rear tabs and slots

9. Check the surface burner and grill flames. Refer to the "Electronic Ignition System" section.
10. Place the wave tray on top of the flame spreader.

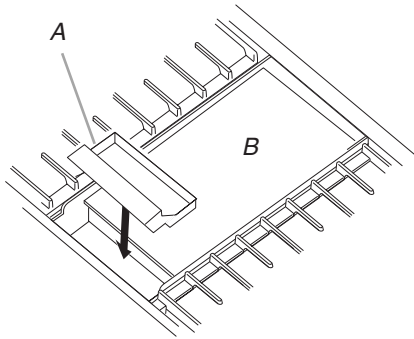


11. Place the grill grate into position.

Install Griddle (on griddle models)

The griddle is factory installed.

1. Place drip tray in the well at the front of the griddle. Slide tray toward the back until it stops.



A. Griddle drip tray
B. Griddle

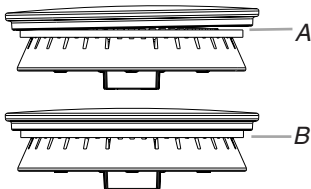
2. Clean griddle before using. Refer to the Use and Care Guide.

Electronic Ignition System

Install Burner Bases and Burner Caps

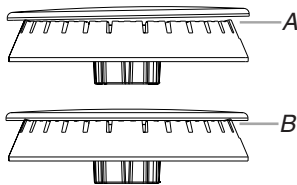
Install the burner base, making sure the igniter electrode is properly aligned with the base. Place burner caps on top of burner bases. If burner caps are not properly positioned, surface burners will not light.

Ultra Power™ Dual-Flame Burner



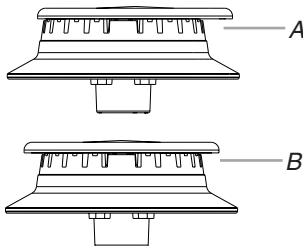
A. Incorrect
B. Correct

Professional Burner



A. Incorrect
B. Correct

Simmer/Melt Burner



A. Incorrect
B. Correct

Initial Lighting and Gas Flame Adjustments

Cooktop burners use electronic igniters in place of standing pilots. When the cooktop control knob is turned to any position, the system creates a spark to light the burner. This sparking continues until the flame is lit or the knob is turned to OFF.

NOTE: The first time igniting the burners will take longer. This allows the gas to reach the burners during the first use.

Check Operation of Cooktop Burners

Push in and turn each control knob to LITE.

NOTE: You will hear a clicking sound while the line clears.

The surface burners and grill flames should light within 4 seconds. The first time a burner is lit, it may take longer than 4 seconds to light because of air in the gas line.

After verifying the proper burner operation, turn the control knobs to OFF.

If burners do not light properly:

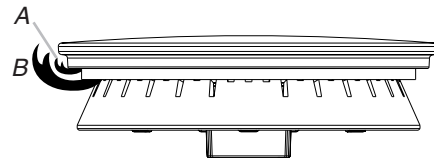
- Turn cooktop control knob to OFF.
- Check that the range is plugged in and the circuit breaker has not tripped or the fuse has not blown.
- Check that the gas shut-off valves are set to the "open" position.
- Check that burner caps are properly positioned on burner bases.

Repeat startup. If a burner does not light at this point, contact your dealer or authorized service company for assistance.

Flame Height

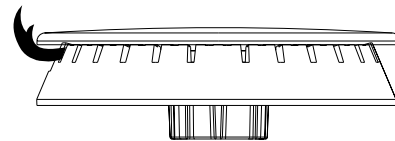
The cooktop flame should be a steady blue flame approximately 1/4" (0.64 cm) high.

Dual Flame Burner



A. Upper (simmer) flame
B. Lower flame

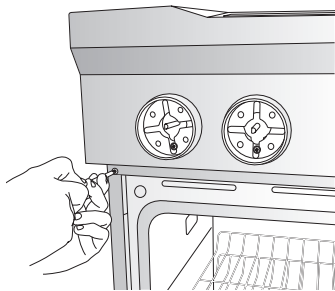
Single Flame Burner



To Adjust Flame Height:

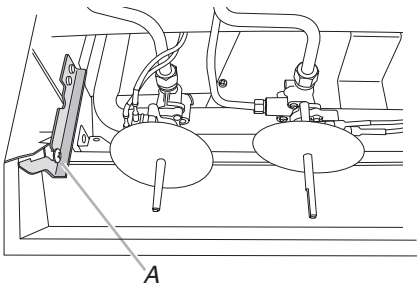
1. Unplug range or disconnect power.
2. Remove burner grates.
3. Remove the control knobs.

- Open the oven door and remove the 2 screws on each side of the range that hold the control console in place.



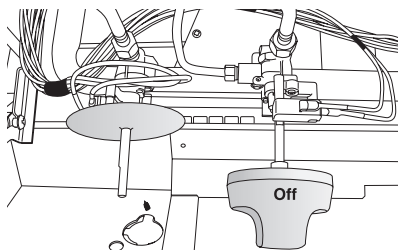
NOTE: Make sure to leave oven door open or the control console will not rest in the side brackets properly once it is detached.

- Pull up on the control console, and let it drop forward into the notched console brackets on each side.

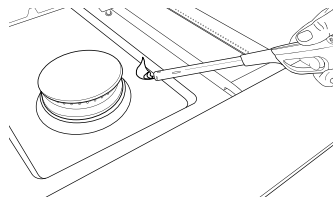


A. Control console bracket

- Remove the round gasket from the valve stem.
- Put a control knob onto the valve stem of the burner you want to adjust.



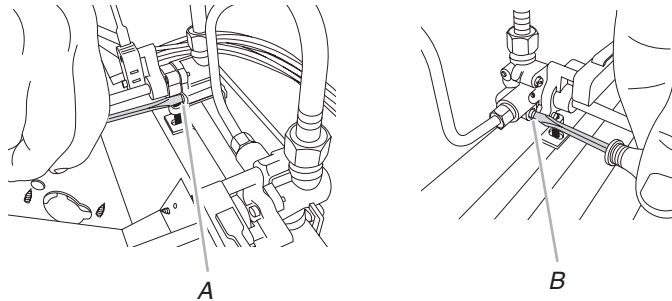
- Turn the control knob to LO and, using a butane extension lighter, light the burner.



- Remove the control knob.

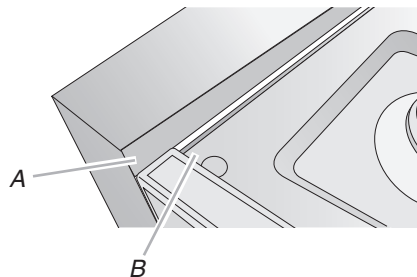
- Use a 1/8" x 4 1/4" flat-blade screwdriver to adjust the flame height. Tighten screw to reduce flame height. Loosen screw to increase flame height.

NOTE: When you are converting to LP gas, the screw should be tightened down completely on the single output valves. The dual output valve should not be adjusted.



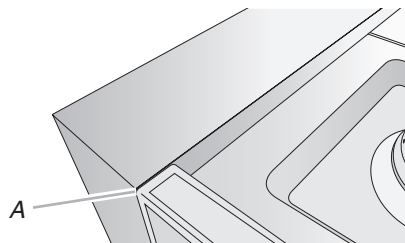
A. Single flame burner adjustment screw (on right side of valve)
B. Dual flame burner adjustment screw (on left side of valve)

- When finished adjusting the flame height, put a control knob back onto the valve stem and turn off the burner.
- Remove the control knob.
- Replace the round gasket.
- Repeat steps 6 through 13 for any other burners that need adjustment.
- Lift up on the control console and set it back into place. For a proper fit, the flange of the control console must hook over the lip on the front of the range cooktop.



A. Control console flange
B. Front lip of range cooktop

- Check that the control console is flush with the top edge of the range.

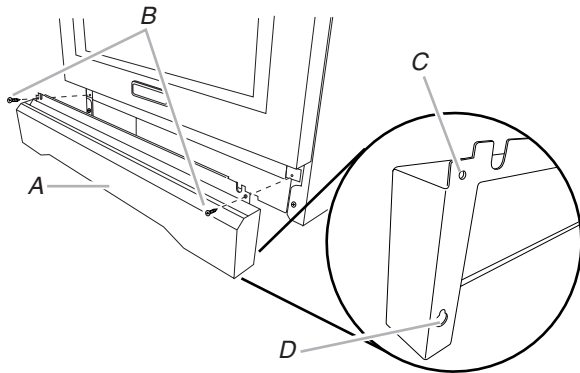


A. Flush with range top

- Replace the 2 screws on each side of the control console.
- Replace the control knobs.
- Replace burner grates.
- Test the flame by turning the control from LO to HI, checking the flame at each setting.

Reinstall Kick Plate

1. Align shoulder screw mounting holes with shoulder screws on range.
2. Push kick plate down against front of range until the top screw holes are aligned with the mounting holes on the front of the range.
3. Reattach screws to the top of the kick plate.



- A. Kick plate
B. Reattach these screws.
C. Top screw hole
D. Shoulder screw mounting hole

Complete Installation

1. Check that all parts are now installed. If there is an extra part, go back through the steps to see which step was skipped.
2. Check that you have all of your tools.
3. Dispose of/recycle all packaging materials.
4. For oven use and cleaning, read the Use and Care Guide.

Check Operation of Oven(s)

1. Turn power ON.
2. Start a Bake cycle. See the Use and Care Guide for operating instructions.
If oven(s) does not operate, check the following:
 - Household fuse is intact and tight or circuit breaker has not tripped.
 - Electrical supply is connected.
 - See the "Troubleshooting" section in the Use and Care Guide.
3. When oven has been on for 10 to 15 minutes, open the oven door and feel for heat.
If you do not feel heat or if an error code ("F" followed by a number plus "E" followed by a number) appears in the display, turn off the oven and contact a qualified technician.
4. Touch OFF.

To set the clock and other oven functions, refer to the Use and Care Guide.

If you need Assistance or Service:

Please reference the "Assistance or Service" section of the Use and Care Guide or contact the dealer from whom you purchased your range.

GAS CONVERSIONS

IMPORTANT: Gas conversions from Natural gas to LP gas must be done by a qualified installer.

⚠ WARNING



Explosion Hazard

Use a new CSA International approved gas supply line.

Install a shut-off valve.

Securely tighten all gas connections.

If connected to LP, have a qualified person make sure gas pressure does not exceed 14" (36 cm) water column.

Examples of a qualified person include:

licensed heating personnel,
authorized gas company personnel, and
authorized service personnel.

Failure to do so can result in death, explosion, or fire.

LP Gas Conversion

⚠ WARNING



Tip Over Hazard

A child or adult can tip the range and be killed.

Install anti-tip bracket to floor or wall per installation instructions.

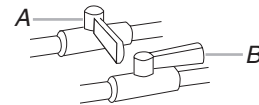
Slide range back so rear range foot is engaged in the slot of the anti-tip bracket.

Re-engage anti-tip bracket if range is moved.

Do not operate range without anti-tip bracket installed and engaged.

Failure to follow these instructions can result in death or serious burns to children and adults.

1. Turn the manual shut-off valve to the closed position.

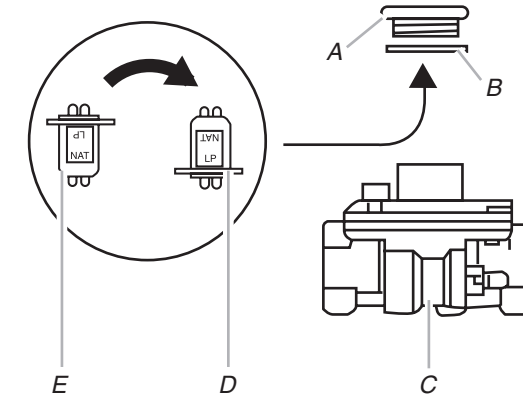


- A. To range
- B. Shut-off valve (closed position)
- C. Gas supply line

2. Unplug range, or disconnect power.

To Convert Gas Pressure Regulator

1. Remove the access cap by using a wrench, turning the access cap counterclockwise.
2. Remove spring retainer from the cap by pushing against the flat side of the spring retainer. Look at the spring retainer to locate the "NAT" or "LP" position. Turn over the spring retainer so the "LP" is showing on the bottom. Snap the spring retainer back into the cap. Reinstall the cap onto the regulator.



A. Access cap
B. Gasket
C. Gas pressure regulator
D. LP position
E. NAT position

3. Test the gas pressure regulator and gas supply line. The regulator must be checked at a minimum 1" (2.5 cm) water column above the set pressure. The inlet pressure to the regulator should be as follows for operation and checking the regulator setting:

LP Gas:

Minimum pressure 11" (27.9 cm) WCP
Maximum pressure 14" (35.5 cm) WCP

Gas Supply Pressure Testing

Gas supply pressure for testing regulator must be at least 1" water column pressure above the manifold pressure shown on the model/serial/rating plate.

Line pressure testing above 1/2 psi gauge (14" WCP)

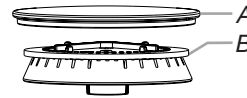
The range and its individual shut-off valve must be disconnected from the gas supply piping system during any pressure testing of that system at test pressures in excess of 1/2 psi (3.5 kPa).

Line pressure testing at 1/2 psi gauge (14" WCP) or lower

The range must be isolated from the gas supply piping system by closing its individual manual shut-off valve during any pressure testing of the gas supply piping system at test pressures equal to or less than 1/2 psi (3.5 kPa).

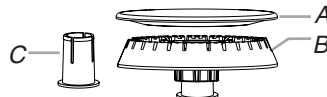
To Convert Surface Burners

1. If the burner grates are installed, remove them.
2. Remove burner cap.
3. Remove the burner base.



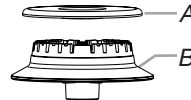
Large Dual Burner

A. Burner cap
B. Burner base



Medium Burner

A. Burner cap
B. Burner base
C. Choke (for use with medium burner, LP gas only)



Small Burner

A. Burner cap
B. Burner base

4. Apply masking tape to the end of a 7 mm nut driver to help hold the gas orifice spud in the nut driver while changing it. Insert nut driver into the gas opening, press down onto the gas orifice spud, and remove by turning the gas orifice spud counterclockwise and lifting out. Set gas orifice spud aside.
5. Replace with correct LP gas orifice spud. See the "LP Gas Orifice Spud/Hood Chart."

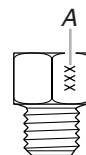
Use the following chart to find the exact orifice spud placement.

Fully insert choke into bottom of medium burner base. Choke should snap into place.

LP Gas Orifice Spud/Hood Chart

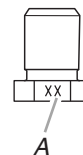
Burner Rating	Color	Size	Burner Style
3,000 BTUs	Blue	0.55 mm	Small burners
11,000 BTUs	Yellow	0.97 mm	Medium burners
14,000 BTUs	Red/Green	1.05 mm 0.35 mm	Large burner - main Large burner - simmer
14,500 BTUs	Black	1.18 mm	Grill burner

Burner orifice spud



A. Size stamp or color

Grill orifice hood

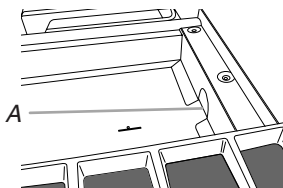


A. Size stamp

6. Place Natural gas orifice in plastic parts bag for future use and keep with package containing literature.
NOTE: There may be extra orifices in your kit.
7. Replace the burner base.
8. Replace burner cap.
9. Repeat steps 2 through 8 for the remaining burners.

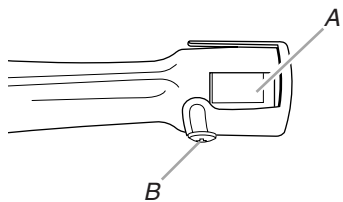
To Convert Grill Burner (on some models)

1. Remove grill grate, wave plate, flame spreader, and burner assembly. See the "Install Grill Grease Trays" section for removal instructions. Set parts aside.
2. Use a 1/2" deep-well socket to remove the Natural gas orifice hood. Replace with correct grill LP gas orifice hood. See the "LP Gas Orifice Spud/Hood Chart."



A. Grill orifice hood location

3. Turn LP gas orifice hood down tightly onto orifice base.
4. Place Natural gas orifice hoods in plastic parts bag for future use and keep with package containing literature.
5. Before replacing the burner assembly, loosen the screw at the front of the burner and rotate the shutter so that the opening is 5/16" (8.0 mm) wide.



A. Shutter opening
B. Screw

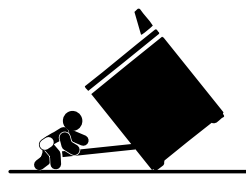
6. Reinstall the burner assembly, flame spreader, wave plate, and grill grate. See the "Install Grill Grease Trays" section for installation instructions.
7. Open shut-off valve in the gas supply line. The valve is open when the handle is parallel to the gas pipe.
REMEMBER: Once you have completed converting the grill, test the range for leaks by brushing on an approved noncorrosive leak-detection solution. Bubbles will show, indicating a leak. Correct any leaks found.
8. Plug in range or reconnect power.

Complete Installation

1. Refer to the "Make Gas Connection" section for properly connecting the range to the gas supply.
2. Refer to the "Electronic Ignition System" section for proper burner ignition, operation, and burner flame adjustments.
IMPORTANT: You may have to adjust the Lo setting for each cooktop burner.
Checking for proper cooktop burner flame is very important. The small inner cone should have a very distinct blue flame 1/4" (0.64 cm) to 1/2" (1.3 cm) long. The outer cone is not as distinct as the inner cone. LP gas flames have a slightly yellow tip.
3. Refer to "Complete Installation" in the "Installation Instructions" section of this manual to complete this procedure.

Natural Gas Conversion

WARNING



Tip Over Hazard

A child or adult can tip the range and be killed.

Install anti-tip bracket to floor or wall per installation instructions.

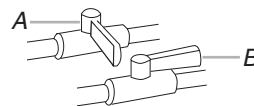
Slide range back so rear range foot is engaged in the slot of the anti-tip bracket.

Re-engage anti-tip bracket if range is moved.

Do not operate range without anti-tip bracket installed and engaged.

Failure to follow these instructions can result in death or serious burns to children and adults.

1. Turn the manual shut-off valve to the closed position.

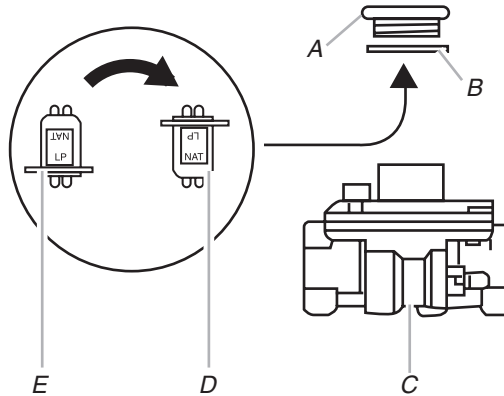


A. To range
B. Shut-off valve (closed position)
C. Gas supply line

2. Unplug range or disconnect power.

To Convert Gas Pressure Regulator

1. Remove the access cap by using a wrench, turning the access cap counterclockwise.
2. Remove spring retainer from the cap by pushing against the flat side of the spring retainer. Look at the spring retainer to locate the "LP" or "NAT" position. Turn over the spring retainer so the "NAT" is showing on the bottom. Snap the spring retainer back into the cap. Reinstall the cap onto the regulator.



A. Access cap
B. Gasket
C. Gas pressure regulator
D. NAT position
E. LP position

3. Test the gas pressure regulator and gas supply line. The regulator must be checked at a minimum 1" (2.5 cm) water column above the set pressure. The inlet pressure to the regulator should be as follows for operation and checking the regulator setting:

Natural Gas:

Minimum pressure 6" (15.2 cm) WCP

Maximum pressure 14" (35.6 cm) WCP

Gas Supply Pressure Testing

Gas supply pressure for testing regulator must be at least 1" water column pressure above the manifold pressure shown on the model/serial/rating plate.

Line pressure testing above 1/2 psi gauge (14" WCP)

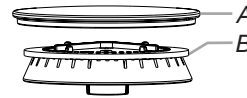
The range and its individual shut-off valve must be disconnected from the gas supply piping system during any pressure testing of that system at test pressures in excess of 1/2 psi (3.5 kPa).

Line pressure testing at 1/2 psi gauge (14" WCP) or lower

The range must be isolated from the gas supply piping system by closing its individual manual shut-off valve during any pressure testing of the gas supply piping system at test pressures equal to or less than 1/2 psi (3.5 kPa).

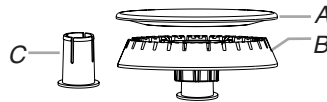
To Convert Surface Burners

1. If the burner grates are installed, remove them.
2. Remove burner cap.
3. Remove the burner base.



Large Dual Burner

- A. Burner cap
B. Burner base



Medium Burner

- A. Burner cap
B. Burner base
C. Choke (for use with medium burner, LP gas only)



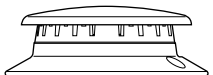
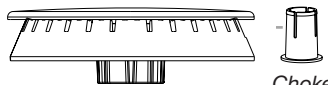
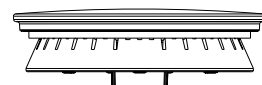
Small Burner

- A. Burner cap
B. Burner base

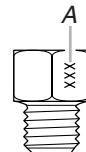
4. Apply masking tape to the end of a 7 mm nut driver to help hold the gas orifice spud in the nut driver while changing it. Insert nut driver into the gas opening, press down onto the gas orifice spud, then remove by turning the gas orifice spud counterclockwise and lifting out. Set gas orifice spud aside.
5. Replace with correct Natural gas orifice spud. See the "Natural Gas Orifice Spud/Hood Chart." Use the following chart to find the exact orifice spud placement.

Remove choke from medium burner base.

Natural Gas Orifice Spud/Hood Chart

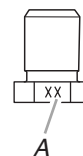
Burner Rating	Size	Burner Style
5,000 BTUs	0.97 mm	Small burners
		
15,000 BTUs	1.75 mm	Medium burners
		
20,000 BTUs	1.98 mm 0.52 mm	Large burner - main Large burner - simmer
		
18,000 BTUs	1.93 mm	Grill burner

Burner orifice spud



A. Size stamp

Grill orifice hood

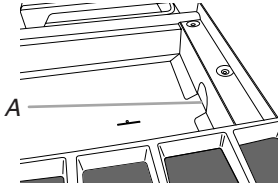


A. Size stamp

6. Place LP gas orifice spuds in plastic parts bag for future use, and keep with package containing literature.
NOTE: There may be extra orifices in your kit.
7. Replace the burner base.
8. Replace burner cap.
9. Repeat steps 2 through 8 for the remaining burners.

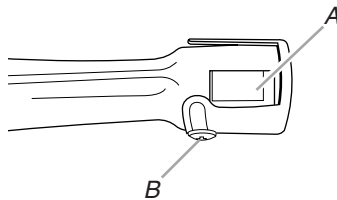
To Convert Grill Burner (on some models)

1. Remove grill grate, wave plate, flame spreader, and burner assembly. See the “Install Grill Grease Trays” section for removal instructions. Set parts aside.
2. Use a 1/2" deep-well socket to remove the LP gas orifice hood. Replace with correct grill Natural gas orifice hood. See the “Natural Gas Orifice Spud/Hood Chart.”



A. Grill orifice hood location

3. Turn Natural gas orifice hood down tightly onto orifice base.
4. Place LP gas orifice hoods in plastic parts bag for future use and keep with package containing literature.
5. Before replacing the burner assembly, loosen the screw at the front of the burner and rotate the shutter so that the opening is 3/8" (9.0 mm) wide.



A. Shutter opening
B. Screw

6. Reinstall the burner assembly, flame spreader, wave plate, and grill grate. See the “Install Grill Grease Trays” section for installation instructions.
7. Open shut-off valve in the gas supply line. The valve is open when the handle is parallel to the gas pipe.
REMEMBER: Once you have completed converting the grill, test the range for leaks by brushing on an approved noncorrosive leak-detection solution. Bubbles will show, indicating a leak. Correct any leaks found.
8. Plug in range or reconnect power.

Complete Installation

1. Refer to the “Make Gas Connection” section for properly connecting the range to the gas supply.
2. Refer to the “Electronic Ignition System” section for proper burner ignition, operation, and burner flame adjustments.
IMPORTANT: You may have to adjust the “LO” setting for each cooktop burner.
Checking for proper cooktop burner flame is very important. The small inner cone should have a very distinct blue flame 1/4" (0.64 cm) to 1/2" (1.3 cm) long. The outer cone is not as distinct as the inner cone. LP gas flames have a slightly yellow tip.
3. Refer to “Complete Installation” in the “Installation Instructions” section of this manual to complete this procedure.

SÉCURITÉ DE LA CUISINIÈRE

Votre sécurité et celle des autres est très importante.

Nous donnons de nombreux messages de sécurité importants dans ce manuel et sur votre appareil ménager. Assurez-vous de toujours lire tous les messages de sécurité et de vous y conformer.



Voici le symbole d'alerte de sécurité.

Ce symbole d'alerte de sécurité vous signale les dangers potentiels de décès et de blessures graves à vous et à d'autres.

Tous les messages de sécurité suivront le symbole d'alerte de sécurité et le mot "DANGER" ou "AVERTISSEMENT". Ces mots signifient :

⚠ DANGER

Risque possible de décès ou de blessure grave si vous ne suivez pas immédiatement les instructions.

⚠ AVERTISSEMENT

Risque possible de décès ou de blessure grave si vous ne suivez pas les instructions.

Tous les messages de sécurité vous diront quel est le danger potentiel et vous disent comment réduire le risque de blessure et ce qui peut se produire en cas de non-respect des instructions.

AVERTISSEMENT : Si les renseignements dans ce manuel ne sont pas exactement observés, un incendie ou une explosion peut survenir, causant des dommages au produit, des blessures ou un décès.

- **Ne pas entreposer ni utiliser de l'essence ou d'autres vapeurs ou liquides inflammables à proximité de cet appareil ou de tout autre appareil électroménager.**
- **QUE FAIRE DANS LE CAS D'UNE ODEUR DE GAZ :**
 - **Ne pas tenter d'allumer un appareil.**
 - **Ne pas toucher à un commutateur électrique.**
 - **Ne pas utiliser le téléphone se trouvant sur les lieux.**
 - **Appeler immédiatement le fournisseur de gaz à partir du téléphone d'un voisin. Suivre ses instructions.**
 - **À défaut de joindre votre fournisseur de gaz, appeler les pompiers.**
- **L'installation et l'entretien doivent être effectués par un installateur qualifié, une agence de service ou le fournisseur de gaz.**

AVERTISSEMENT : L'odorat ne permet pas toujours la détection d'une fuite de gaz.

Les distributeurs de gaz recommandent l'emploi d'un détecteur de gaz (homologation UL ou CSA).

Pour d'autre information, contacter le fournisseur de gaz local.

En cas de détection d'une fuite de gaz, exécuter les instructions "Que faire dans le cas d'une odeur de gaz".

IMPORTANT : Ne pas installer un système de ventilation avec évacuation de l'air vers le bas, qui évacuerait l'air vers cet appareil de cuisson à gaz. Ce type de système de ventilation peut causer des problèmes d'allumage et de combustion avec cet appareil de cuisson à gaz et entraîner des blessures corporelles ou le fonctionnement non désiré de cet appareil.

Dans l'État du Massachusetts, les instructions d'installation suivantes sont applicables :

- Les travaux d'installation et réparation doivent être exécutés par un plombier ou tuyauteur qualifié ou licencié, ou par le personnel qualifié d'une entreprise licenciée par l'État du Massachusetts.
- Si une vanne à boisseau sphérique est utilisée, elle doit comporter une manette "T".
- Si un conduit de raccordement flexible est utilisé, sa longueur ne doit pas dépasser 3 pi.

⚠ AVERTISSEMENT

Risque de basculement

Un enfant ou une personne adulte peut faire basculer la cuisinière, ce qui peut causer un décès.

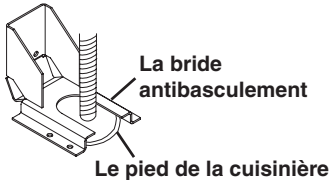
Fixer la bride antibasculement au plancher ou au mur, conformément aux instructions d'installation.

Faire glisser de nouveau la cuisinière de façon à ce que le pied arrière de la cuisinière se trouve dans la fente de la bride antibasculement.

Réengager la bride antibasculement si la cuisinière a été déplacée.

Ne pas faire fonctionner la cuisinière si la bride antibasculement n'est pas installée et engagée.

Le non-respect de ces instructions peut causer un décès ou des brûlures graves aux enfants et aux adultes.



Pour vérifier que la bride antibasculement est bien installée et engagée:

- Faire glisser la cuisinière vers l'avant.
- Vérifier que la bride antibasculement est bien fixée au plancher ou au mur.
- Faire de nouveau glisser la cuisinière vers l'arrière de sorte que le pied de la cuisinière se trouve sous la bride antibasculement.
- Voir les instructions d'installation pour plus de détails.

EXIGENCES D'INSTALLATION

Outillage et pièces

Rassembler les outils et pièces nécessaires avant d'entreprendre l'installation. Lire et suivre les instructions fournies avec chacun des outils de la liste ci-dessous.

Outils nécessaires



Clé à tuyauterie



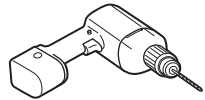
Clé à molette ou clé de $\frac{5}{8}$ "



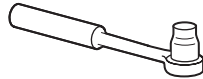
Tournevis à lame plate de $\frac{1}{8}$ x $4\frac{1}{4}$ "



Tournevis Phillips n° 2



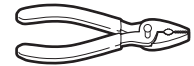
Perceuse



Clé à cliquet de $\frac{3}{8}$ "



Clé mixte de $\frac{15}{16}$ "



Pince



Niveau



Coupe-tube



Tourne-écrou de $\frac{1}{4}$ ", $\frac{3}{8}$ ", $\frac{5}{16}$ "



Marqueur ou crayon



Foret à maçonnerie à pointe carburée de $\frac{3}{16}$ "



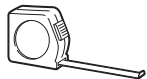
Foret de $\frac{1}{8}$ "



Composé d'étanchéité des raccords filetés - résistant au gaz propane



Solution non corrosive de détection des fuites



Mètre-ruban

Pour conversions pour gaz propane/naturel



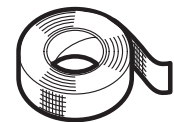
Douille longue de $\frac{1}{2}$ "



Clé à molette



Tourne-écrou de 7 mm

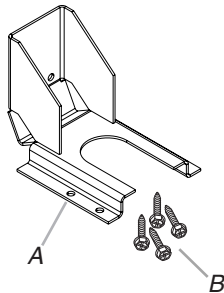


Ruban adhésif de masquage

Pièces fournies

Vérifier que toutes les pièces sont présentes.

- Trousse de bride antibasculement



A. Bride antibasculement
B. 4 vis à tête Phillips n° 8-18 x 1"

REMARQUE : La bride antibasculement doit être solidement fixée au sous-plancher. La profondeur du plancher peut nécessiter des vis plus longues pour l'ancrage de la bride dans le sous-plancher. Des vis plus longues sont disponibles auprès de votre quincaillerie locale. Voir la section "Installation de la bride antibasculement".

- Détendeur
- Grilles de brûleur
- Têtes et chapeaux de brûleurs
- Plateau d'égouttement de la plaque à frire (sur modèles avec plaque à frire)
- Plateau ondulé (sur modèles avec gril)
- Répartiteur de flammes (sur modèles avec gril)
- Ensemble de brûleur (sur modèles avec gril)
- Plateau à graisse (2) (sur modèles avec gril)
- Plateau d'égouttement de la plaque à frire (sur modèles avec plaque à frire)
- Plateau d'égouttement du gril (sur modèles avec gril)
- Garniture d'îlot
- Ensemble de gicleurs pour gaz propane (W10393255)
- Étiquette de conversion (W10393342)

REMARQUE : La table de cuisson est conçue pour une utilisation au gaz naturel. Pour effectuer une conversion au gaz propane, voir la section "Conversions pour changement de gaz".

Pièces supplémentaires fournies avec les modèles à injection de vapeur

- Ensemble de filtre à eau modèle W10049700
- Raccord d'alimentation en eau de 1/4" par 1/4"

Pièces nécessaires

- Ensemble de cordon d'alimentation électrique :
 - Modèles de 30" (76,2 cm) et 36" (91,4 cm) Un ensemble de cordon d'alimentation homologué de UL 40 ampères
 - Modèles de 48" (121,9 cm) - Un ensemble de cordon d'alimentation homologué UL de 50 ampères compatible avec des ouvertures de raccord de diamètre nominal de 1³/₈" (34,93 mm)

- Un serre-câble homologué UL
 - Connecteurs de fils (homologation UL)
 - Tous les modèles doivent être installés avec un dossieret si l'installation se fait sans dégagement entre l'appareil et une paroi arrière combustible comme un mur en gypse. Une installation sans dégagement est permise si la totalité de la surface de la paroi au-dessus et au-dessous de la hotte est couverte d'un matériau non combustible, comme des carreaux de céramique ou de l'acier inoxydable. Voir "Dimensions du placard" à la section "Exigences d'emplacement" pour les spécifications concernant l'installation.
 - Dossieret rétractable de 30" (76,2 cm)
Commander la pièce numéro 8285148
 - Dossieret rétractable de 36" (91,4 cm)
Commander la pièce numéro 8284756
 - Dossieret rétractable de 48" (121,9 cm)
Commander la pièce numéro 8284755
 - Dossieret de 9" (22,9 cm) pour cuisinières de 30" (76,2 cm)
Commander la pièce numéro W10115773
 - Dossieret de 9" (22,9 cm) pour cuisinières de 36" (91,4 cm)
Commander la pièce numéro W10115776
 - Dossieret de 9" (22,9 cm) pour cuisinières de 48" (121,9 cm)
Commander la pièce numéro W10115777
 - Dossieret de 22" (55,9 cm) pour cuisinières à tablette de 30" (76,2 cm)
Commander la pièce numéro W10225950
 - Dossieret de 22" (55,9 cm) pour cuisinières à tablette de 36" (91,4 cm)
Commander la pièce numéro W10225949
 - Dossieret de 22" (55,9 cm) pour cuisinières à tablette de 48" (121,9 cm)
Commander la pièce numéro W10225948
- Pour commander, voir la section "Assistance ou service" du Guide d'utilisation et d'entretien.

Pièces supplémentaires nécessaires pour les modèles à injection de vapeur

- Agrafes/attaches de tuyau
- Tuyau d'alimentation flexible homologué par les codes en vigueur de diamètre externe de 1/4" (pour la réalisation du raccordement en eau)
- Dispositif de raccordement de l'eau (pour raccorder le tuyau de diamètre externe de 1/4" à l'alimentation en eau). Vérifier les codes locaux pour connaître le type de raccordement exigé.

Vérifier les codes locaux et consulter le fournisseur de gaz. Vérifier l'alimentation en gaz et l'alimentation électrique existantes. Voir les sections "Spécifications électriques" et "Spécifications de l'alimentation en gaz".

Il est recommandé de faire réaliser tous les raccordements électriques par un électricien qualifié agréé.

Conversion pour utilisation en haute altitude

Pour convertir la table de cuisson pour des altitudes supérieures à 6 560 pi (1999,5 m), commander un ensemble pour conversion en haute altitude.

- Pièce numéro W10394296 - gaz propane pour haute altitude
- Pièce numéro W10394295 - gaz naturel pour haute altitude

Pour commander, voir la section "Assistance ou service" du Guide d'utilisation et d'entretien.

Exigences d'emplacement

IMPORTANT : Observer les dispositions de tous les codes et règlements en vigueur. Ne pas obstruer le flux de combustion et de ventilation.

- C'est à l'installateur qu'incombe la responsabilité de respecter les distances de séparation exigées pour l'installation, spécifiées sur la plaque signalétique de l'appareil. La plaque signalétique est située sur la surface verticale à droite du châssis de la porte du four.
- Il est recommandé qu'une hotte de cuisinière de 600 pi³/min ou plus soit installée au-dessus de la cuisinière.
- Il n'est pas recommandé de monter un ensemble hotte/four à micro-ondes au-dessus de la cuisinière.
- Dans le cas d'une cuisinière encastrée, l'enceinte doit recouvrir complètement les côtés et l'arrière de la cuisinière.
- Afin de supprimer le risque de brûlures ou d'incendie lié au fait de se pencher au-dessus des plaques de cuisson chaudes, les placards de rangement au-dessus des plaques doivent être évités. Si des placards de rangement sont envisagés, le risque peut être réduit par l'installation d'une hotte de cuisine dépassant du bas des placards d'au moins 5" (12,7 cm) horizontalement.
- Toutes les ouvertures dans le mur ou le plancher de l'emplacement d'installation de la cuisinière doivent être scellées.
- Ne pas réaliser de scellement entre la cuisinière et les placards latéraux.
- Respecter les dimensions indiquées pour les ouvertures à découper dans les placards. Ces dimensions constituent les valeurs minimales des dégagements.
- La bride antibasculement doit être installée. Pour l'installation de la bride antibasculement fournie avec la cuisinière, voir la section "Installation de la bride antibasculement".
- Une source d'électricité avec liaison à la terre est nécessaire. Voir la section "Spécifications électriques".
- Un raccordement adéquat à l'alimentation en gaz doit être disponible. Voir la section "Spécifications de l'alimentation en gaz".
- Contacter un installateur de revêtement de sol qualifié, qui pourra déterminer si le revêtement de sol peut résister à une température d'au moins 200°F (93°C). Dans le cas de l'installation de la cuisinière par dessus un tapis ou sur de la moquette, placer sous la cuisinière une plaque d'appui isolée ou une plaque de contreplaqué de 1/4" (0,64 cm).

IMPORTANT : Afin d'éviter d'endommager les placards, consulter le constructeur de la maison ou le fabricant des placards pour déterminer si les matériaux utilisés peuvent subir un changement de couleur, une déstratification ou d'autres dommages. Ce four a été conçu conformément aux exigences des normes UL et CSA International et respecte les températures maximales permises de 194°F (90°C) pour les placards en bois.

Résidence mobile – Spécifications additionnelles à respecter lors de l'installation

L'installation de cette cuisinière doit être conforme aux dispositions de la norme Manufactured Home Construction and Safety Standard, Title 24 CFR, Part 3280 (anciennement Federal Standard for Mobile Home Construction and Safety, Title 24, HUD Part 280). Lorsque cette norme n'est pas applicable, l'installation doit satisfaire aux critères de la norme Standard for Manufactured Home Installations, ANSI A225.1/NFPA 501A ou aux dispositions des codes locaux.

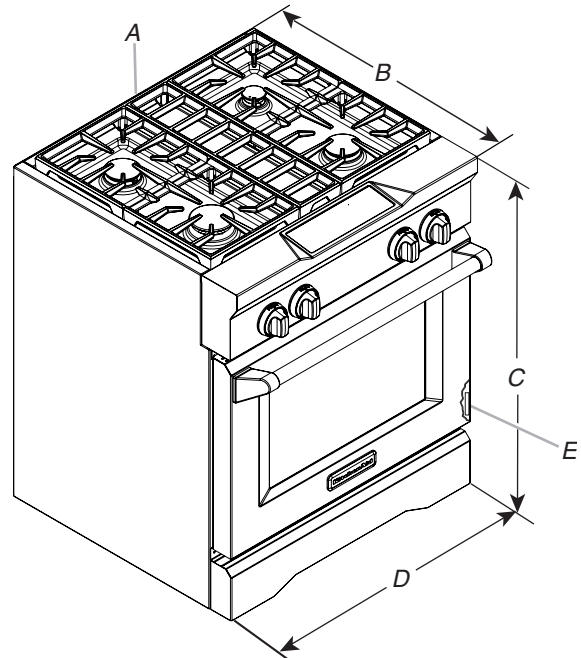
Au Canada, l'installation de cette cuisinière doit satisfaire aux stipulations de la version la plus récente de la norme CAN/CSAZ240 ou des codes locaux en vigueur.

Autres critères à respecter pour une installation en résidence mobile :

- Dans le cas de l'installation de cette cuisinière dans une résidence mobile, la cuisinière doit être fixée au plancher durant tout déplacement du véhicule. Toute méthode de fixation de la cuisinière est adéquate dans la mesure où elle satisfait aux critères des normes mentionnées ci-dessus.

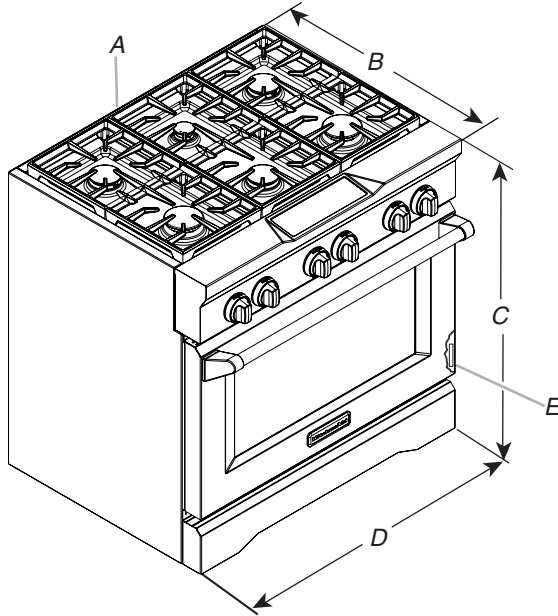
Dimensions du produit

Modèles de 30" (76,2 cm)



- A. On peut installer un dossieret facultatif.
- B. 27³/₄" (70,5 cm) de profondeur avec le tableau de commande, voir REMARQUE
- C. 35³/₄" (90,8 cm) de hauteur de table de cuisson lors de l'installation des roulettes
- D. 30" (76,2 cm) de largeur
- E. Emplacement de la plaque signalétique

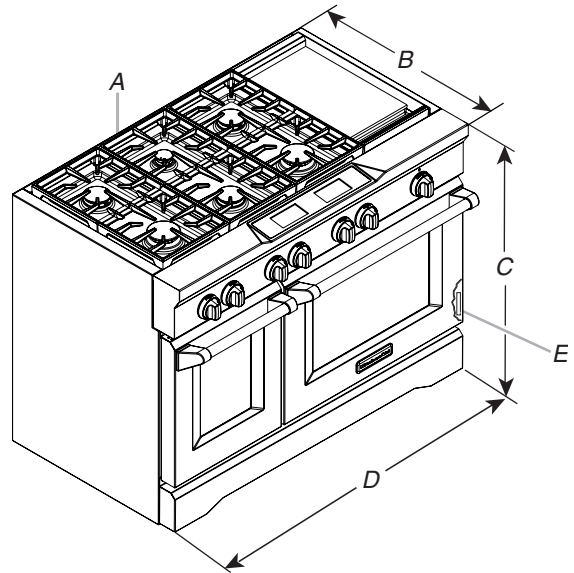
Modèles de 36" (91,4 cm)



- A. On peut installer un dosseret facultatif.
- B. 27³/₄" (70,5 cm) de profondeur avec le tableau de commande, voir REMARQUE
- C. 35³/₄" (90,8 cm) de hauteur de table de cuisson lors de l'installation des roulettes
- D. 36" (91,4 cm) de largeur
- E. Emplacement de la plaque signalétique

Modèles de 48" (121,9 cm)

REMARQUE : L'illustration suivante est fournie uniquement pour le relevé des dimensions nécessaires; il est donc possible que les emplacements et l'apparence des caractéristiques illustrées ici ne correspondent pas à ceux de votre modèle.



- A. On peut installer un dosseret facultatif
- B. 27³/₄" (70,5 cm) de profondeur avec le tableau de commande, voir REMARQUE
- C. 35³/₄" (90,8 cm) de hauteur de table de cuisson lors de l'installation des roulettes
- D. 48" (121,9 cm) de largeur
- E. Emplacement de la plaque signalétique

REMARQUE : En cas d'installation entre des placards au sol de 24" (61 cm) avec plan de travail de 25" (63,5 cm), l'avant de la porte du four dépasse de 1⁷/₈" (4,8 cm) au-delà des placards au sol de 24" (61 cm).

Dimensions du placard

Les dimensions de l'espace d'installation entre les placards sont valides pour l'installation entre de profondeur avec plan de travail de 25" (64 cm) des placards de 24" (61 cm) de profondeur et 36" (91,4 cm) de hauteur. Les dimensions doivent être respectées pour que les éléments soient en affleurement avec la paroi arrière.

IMPORTANT : En cas d'installation d'une hotte ou d'un revêtement de hotte au-dessus de la cuisinière, suivre les instructions fournies avec la hotte ou le revêtement de hotte concernant les dimensions de dégagement à respecter au-dessus de la surface de la table de cuisson.

Exigences d'emplacement du système de filtration de l'eau

(sur certains modèles)

Pour des résultats optimaux, ne pas installer le système de filtration de l'eau à l'extérieur ou l'exposer à des températures extrêmement élevées ou basses. La température en provenance de l'alimentation en eau jusqu'au système de filtration de l'eau doit être comprise entre 40°F/4°C et 100°F/38°C. Ne pas installer sur une canalisation d'alimentation en eau chaude.

Localiser le système de filtration d'eau près de la canalisation d'alimentation en eau froide situé sous l'évier de la cuisine pour filtrer l'eau froide.

S'assurer que l'ensemble de filtre à eau est installé en position verticale.

Il faudra percer un trou d'un diamètre minimum de 1/2" (1,3 cm) dans le coin supérieur droit ou arrière gauche de la paroi latérale du placard sous l'évier pour acheminer la canalisation d'alimentation en eau jusqu'à la cuisinière.

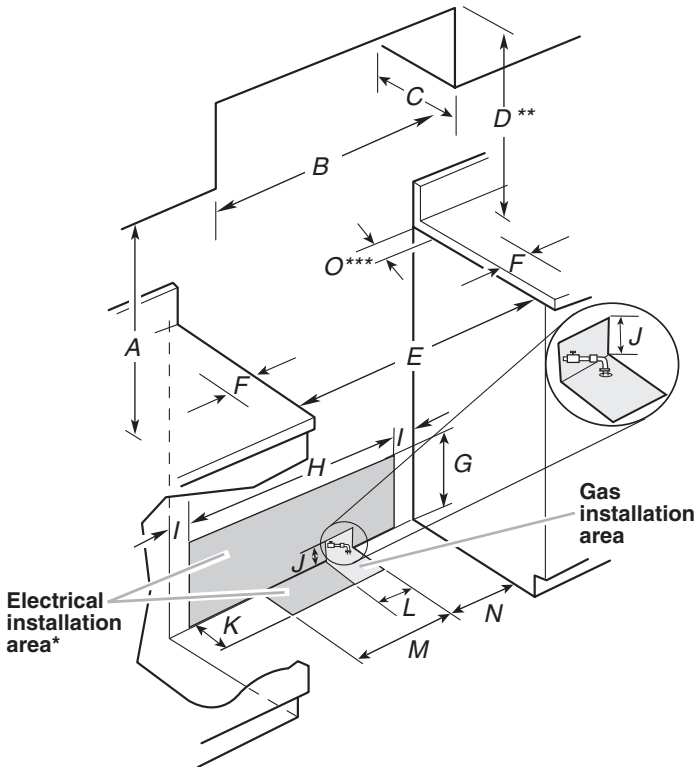
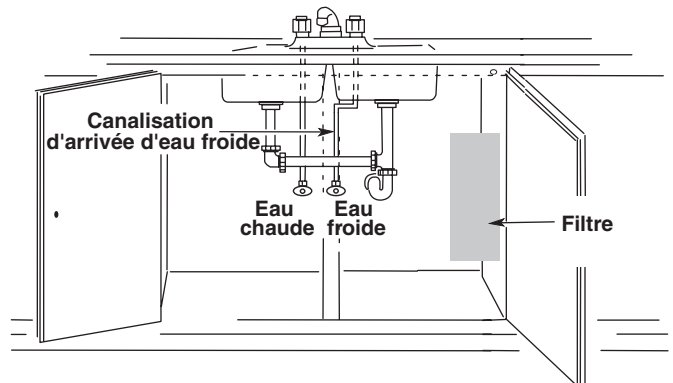
Selon la configuration d'installation, il faudra peut-être percer davantage de trous pour l'acheminement des canalisations.

Enrouler suffisamment de tuyau d'alimentation flexible homologué par les codes en vigueur derrière la cuisinière pour que le raccordement à la cuisinière puisse être réalisé derrière la cuisinière avant la mise en place de celle-ci.

Configuration d'installation typique

REMARQUE : Pour des installations particulières, contacter un plombier agréé.

Au Massachusetts, un plombier agréé est exigé et le code de plomberie 248-CMR du Commonwealth du Massachusetts doit être respecté.



- A. 18" (45,7 cm) entre le placard supérieur et le plan de travail
- B. Modèle de 30" (76,2 cm) : Largeur min. du placard supérieur 30" (76,2 cm)
Modèle de 36" (91,4 cm) : Largeur min. du placard supérieur 36" (91,4 cm)
Modèle de 48" (121,9 cm) : Largeur min. du placard supérieur 48" (121,9 cm)
- C. Profondeur maximale des placards supérieurs de 13" (33 cm)
- D. Pour la distance libre minimale à partir de la partie supérieure de la table de cuisson.
- E. 30 1/4" (76,8 cm) sur les modèles de 30" (76,2 cm)
36 1/4" (92,1 cm) sur les modèles de 36" (91,4 cm)
48 1/4" (122,6 cm) sur les modèles de 48" (121,9 cm)
- F. Dégagement minimal de 6" (15,2 cm) entre les deux côtés de la cuisinière et la paroi latérale ou d'autres matériaux combustibles
- G. 15" (38,1 cm)
- H. 22" (55,9 cm) sur les modèles de 30" (76,2 cm)
28" (71,1 cm) sur les modèles de 36" (91,4 cm)
40" (101,6 cm) sur les modèles de 48" (121,9 cm)
- I. 1 1/2" (3,8 cm)
- J. 3" (7,6 cm)
- K. 5" (12,7 cm)
- L. 6" (15,2 cm) sur les modèles de 30" (76,2 cm)
14" (35,5 cm) sur les modèles de 36" (91,4 cm)
24" (61,0 cm) sur les modèles de 48" (121,9 cm)
- M. 10 1/2" (26,7 cm)
- N. 6" (15,2 cm)
- O. 6" (15,2 cm)***

*Pour installation au Canada, il est nécessaire de faire pivoter la prise de 90°.

**Dégagements minimums

Modèles de 30" (76,2 cm) : Distance de séparation minimale de 30" (76,2 cm) entre le dessus de la table de cuisson et le fond d'un placard de bois ou de métal non protégé.

Modèles de 36" (91,4 cm) : Distance de séparation minimale de 42" (106,7 cm) entre le dessus de la table de cuisson et le fond d'un placard de bois ou de métal non protégé.

Modèles de 48" (121,9 cm) : Distance de séparation minimale de 42" (106,7 cm) entre le dessus de la table de cuisson et le fond d'un placard de bois ou de métal non protégé.

***Si la surface de la paroi arrière est fabriquée d'un matériau combustible et qu'aucun dossier n'est installé, un dégagement minimal de 6" (15,2 cm) est nécessaire pour tous les modèles.

Spécifications de l'alimentation en eau

Une alimentation en eau froide avec une pression comprise entre 30 et 120 lb/po² (207 et 827 kPa) est nécessaire pour que la caractéristique de cuisson à la vapeur puisse fonctionner. Au Massachusetts, le code de plomberie 248 CMR 3.00 et 10.00 doit être respecté et on doit faire appel à un plombier agréé. Si vous avez des questions au sujet de la pression de votre eau, faire appel à un plombier qualifié agréé.

Alimentation en eau par osmose inverse

IMPORTANT : La pression de l'alimentation en eau entre le système d'osmose inverse et le robinet d'arrivée d'eau de la cuisinière doit être comprise entre 30 et 120 lb/po² (207 et 827 kPa).

Si un système de purification de l'eau par osmose inverse est raccordé à votre alimentation en eau froide, la pression de l'eau au système par osmose inverse doit être d'un minimum de 40 lb/ po² (276 kPa).

Si la pression de l'eau au système par osmose inverse est inférieure à 40 lb/po² (276 kPa) :

- Vérifier si le filtre à sédiment dans le système à osmose inverse est obstrué. Remplacer le filtre si nécessaire.
- Laisser le réservoir du système d'osmose inverse se remplir après une utilisation intense.

Si vous avez des questions au sujet de la pression de votre eau, faire appel à un plombier qualifié agréé.

Spécifications de l'installation électrique

AVERTISSEMENT



Risque de choc électrique

Relier la cuisinière à la terre.

Le non-respect de cette instruction peut causer un décès, un incendie ou un choc électrique.

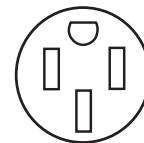
Si les codes en vigueur le permettent et qu'un conducteur distinct de liaison à la terre est utilisé, on recommande qu'un électricien qualifié vérifie que la liaison à la terre et la taille du conducteur de liaison à la terre sont conformes aux prescriptions des codes locaux.

Vérifier que le raccordement à la source d'électricité et le calibre des conducteurs sont adéquats et conformes aux prescriptions de la plus récente édition de la norme CSA C22.1, partie 1 - Code canadien de l'électricité, et de tout code ou règlement local en vigueur.

On peut obtenir un exemplaire de la norme ci-dessus auprès de :

Canadian Standards Association
178 Rexdale Blvd.
Toronto, ON M9W 1R3 CANADA

- En cas de doute quant à la qualité de la liaison à la terre de la cuisinière, consulter un électricien qualifié.
- Lorsqu'on dispose d'une alimentation électrique monophasée à 4 conducteurs de 250 volts, 60 Hz, et CA uniquement, une protection de circuit de 40 ampères minimum est requise pour les cuisinières de 30" (76,2 cm) et 36" (91,4 cm), et une protection de circuit de 50 ampères minimum est requise pour les cuisinières de 48" (121,9 cm); dans chaque cas, la protection de circuit doit être protégée par fusible aux deux extrémités de la ligne.
- On recommande l'emploi d'un fusible temporisé ou d'un disjoncteur.
- Cette cuisinière est dotée d'un cordon d'alimentation (homologation CSA International) destiné à être branché sur une prise de courant murale standard 14-50R. Veiller à ce que la prise de courant murale soit placée à portée de la position de service finale de la cuisinière.



- Ne pas utiliser de câble de rallonge.

⚠️ AVERTISSEMENT



Risque d'explosion

Utiliser une canalisation neuve d'arrivée de gaz approuvée par la CSA International.

Installer un robinet d'arrêt.

Bien serrer chaque organe de connexion de la canalisation de gaz.

En cas de connexion au gaz propane, demander à une personne qualifiée de s'assurer que la pression de gaz ne dépasse pas 36 cm (14 po) de la colonne d'eau.

Par personne qualifiée, on comprend :

le personnel autorisé de chauffage,
le personnel autorisé d'une compagnie de gaz, et
le personnel d'entretien autorisé.

Le non-respect de ces instructions peut causer un décès, une explosion ou un incendie.

Respecter les dispositions de tous les codes et règlements en vigueur.

IMPORTANT : L'installation doit satisfaire aux critères de tous les codes et règlements locaux. En l'absence de code local, l'installation doit satisfaire aux prescriptions de la plus récente édition du American National Standard, National Fuel Gas Code ANSI Z223.1/NFPA 54 ou CAN/CGA B149.

IMPORTANT : La table de cuisson de la cuisinière doit être raccordée à une source d'alimentation en gaz régulée.

IMPORTANT : Les tests de fuite de la table de cuisson de la cuisinière doivent être effectués selon les instructions du fabricant.

Type de gaz

Gaz naturel :

Cette cuisinière a été configurée à l'usine pour l'alimentation au gaz naturel. La plaque signalétique des numéros de modèle et de série située sur la surface verticale à droite du châssis de la porte du four indique les types de gaz utilisables. Si le type de gaz disponible n'est pas mentionné sur la plaque signalétique, consulter le fournisseur de gaz local.

Conversion pour l'alimentation au propane :

L'opération de conversion doit être exécutée par un technicien de réparation qualifié.

Ne pas entreprendre de convertir la table de cuisson de la cuisinière pour une utilisation avec un gaz différent de celui indiqué sur la plaque signalétique sans d'abord consulter le fournisseur de gaz. Pour la conversion au gaz propane, utiliser la trousse de conversion au gaz propane fournie avec la cuisinière et voir la section "Conversions pour changement de gaz". Les pièces pour cette trousse se trouvent dans le sachet de documentation fourni avec la cuisinière.

Canalisation de gaz

- Installer une canalisation d'alimentation en gaz rigide de $\frac{3}{4}$ " (1,9 cm) jusqu'à l'emplacement d'installation de la cuisinière. L'emploi d'une canalisation de plus petit diamètre pour les circuits plus longs peut causer une déficience du débit d'alimentation. Pour l'alimentation au gaz propane, le diamètre des canalisations doit être de $\frac{1}{2}$ " (1,3 cm) ou plus. En général, le fournisseur de gaz propane détermine les matériaux à utiliser et le diamètre approprié.

REMARQUE : On doit utiliser un composé d'étanchéité pour tuyauteries résistant à l'action du gaz propane. Ne pas utiliser de ruban adhésif TEFLON[†].

Raccord métallique flexible :

- Si les codes locaux le permettent, on peut utiliser un raccord métallique flexible (homologation CSA), de 4 à 5 pi (122 à 152,4 cm) de long, de diamètre interne de $\frac{5}{8}$ " (1,6 cm) ou $\frac{3}{4}$ " (1,9 cm) pour le raccordement de la cuisinière à la canalisation d'alimentation en gaz.

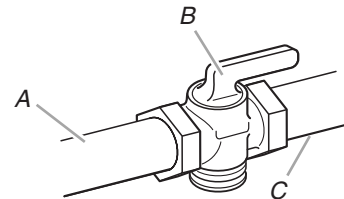


- Un raccord avec filetage mâle de $\frac{1}{2}$ " (1,3 cm) est nécessaire pour la connexion sur le raccord à filetage femelle à l'entrée du détendeur de la cuisinière.
- Ne pas déformer/écraser/endommager le tube métallique flexible lors d'un déplacement de la cuisinière.

IMPORTANT: Tous les raccords doivent être bien serrés à l'aide d'une clé. Ne pas serrer excessivement la connexion sur le détendeur. Un serrage excessif pourrait provoquer une fissuration du détendeur et une fuite de gaz. Lors du serrage des raccords, empêcher le détendeur de tourner ou de bouger.

- Robinet d'arrêt manuel nécessaire :

La canalisation d'alimentation doit comporter un robinet d'arrêt manuel. Ce robinet doit être séparé de l'ouverture de la cuisinière, mais il doit se trouver dans la même pièce, par exemple dans un placard adjacent. La canalisation doit se trouver en un endroit facilement accessible pour les manoeuvres d'ouverture/fermeture. Ne pas entraver l'accès au robinet d'arrêt manuel. Le robinet permet d'ouvrir ou de fermer l'alimentation en gaz de la cuisinière.



- A. Canalisation d'alimentation en gaz
- B. Robinet d'arrêt manuel en position d'ouverture
- C. Vers la cuisinière

[†]TEFLON est une marque déposée de Chemours.

Détendeur

Le détendeur fourni avec cette cuisinière doit être utilisé. La pression d'alimentation du détendeur doit être comme suit pour un fonctionnement correct :

Gaz naturel :

Pression minimale : 6" (15,2 cm) colonne d'eau

Pression maximale : 14" (35,6 cm) colonne d'eau

Gaz propane :

Pression minimale : 11" (27,9 cm) colonne d'eau

Pression maximale : 14" (35,6 cm) colonne d'eau

En cas d'incertitude quant à la pression d'alimentation à établir, contacter le fournisseur de gaz local.

Débit thermique des brûleurs – Altitude

Les débits thermiques indiqués sur la plaque signalétique correspondent à une altitude d'utilisation inférieure ou égale à 2000 pi (609,6 m).

Lorsque l'appareil est utilisé à une altitude supérieure à 2000 pi (609,6 m), on doit réduire le débit thermique indiqué de 4 % pour chaque tranche de 1000 pi (304,8 m).

Test de pressurisation de la canalisation de gaz

On doit tester le détendeur sous une pression supérieure d'au moins 1" (colonne d'eau) à la pression de la tubulure de distribution indiquée sur la plaque signalétique.

Pressurisation à une pression supérieure à 1/2 lb/po² (14" – colonne d'eau)

Pour tout test de pressurisation du système à une pression supérieure à 1/2 lb/po² (3,5 kPa), on doit déconnecter la table de cuisson et son robinet d'arrêt des canalisations d'alimentation en gaz à pressuriser.

Pressurisation à une pression de 1/2 lb/po² (14" – colonne d'eau) ou moins

La cuisinière devra être isolée des canalisations d'alimentation en gaz par la fermeture du robinet d'arrêt manuel individuel durant tout test de pressurisation des canalisations d'alimentation en gaz à une pression égale ou inférieure à 1/2 lb/po² (3,5 kPa).

INSTRUCTIONS D'INSTALLATION

Déballage de la cuisinière

⚠ AVERTISSEMENT

Risque du poids excessif

Utiliser deux ou plus de personnes pour déplacer et installer la cuisinière.

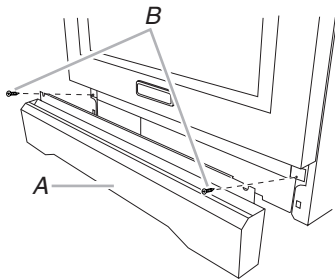
Le non-respect de cette instruction peut causer une blessure au dos ou d'autre blessure.

1. Ôter les matériaux d'emballage, le ruban adhésif et la pellicule protectrice de la cuisinière. Maintenir la palette d'expédition sous la cuisinière. Retirer les grilles de four et le sachet de pièces de l'intérieur du four.
2. Enlever le garde-pieds.

La cuisinière comporte soit un garde-pieds déjà installé (consulter l'option 1) ou un garde-pieds emballé sur le dessus de l'appareil (consulter l'option 2).

Option 1

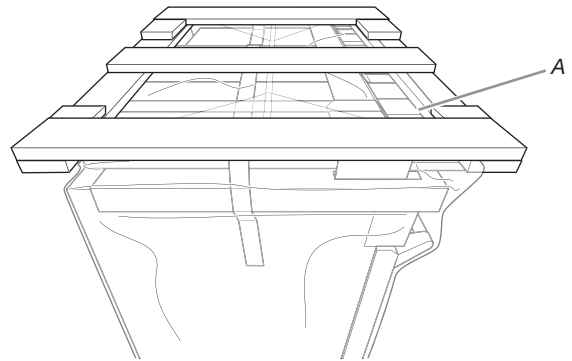
- a. Enlever la bande de mousse entre la porte et le garde-pieds.
- b. Enlever les vis du garde-pieds.



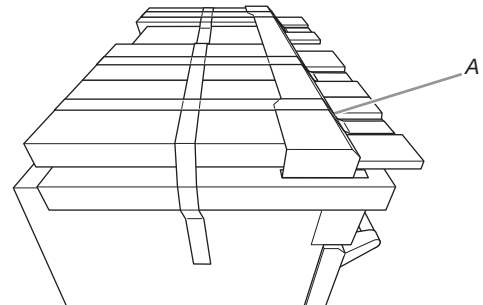
- c. Appuyer sur le garde-pieds pour dégager la plaque des vis à épaulement.
- d. Placer le garde-pieds sur le côté pour éviter d'érafler l'acier inoxydable.

Option 2

- a. Enlever le garde-pieds du dessus de la cuisinière et de l'emballage.

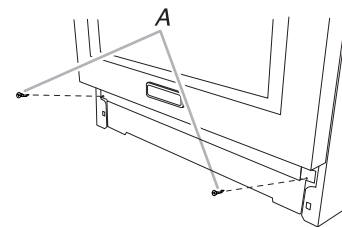


A. Garde-pieds
À l'intérieur de l'emballage



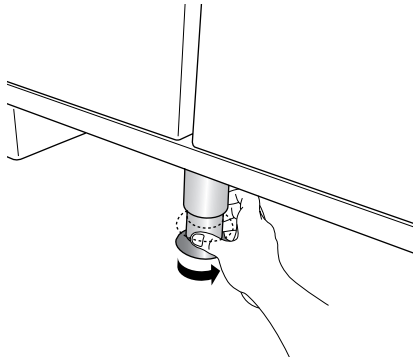
A. Garde-pieds
Emballage enlevé

- b. Placer le garde-pieds sur le côté pour éviter d'érafler l'acier inoxydable.
- c. Enlever les vis de la cuisinière.



A. Retirer ces vis.

3. Pour les modèles de 48" (121,9 cm) uniquement, faire pivoter le support central dans le sens antihoraire pour le dégager de la palette jusqu'à la butée.



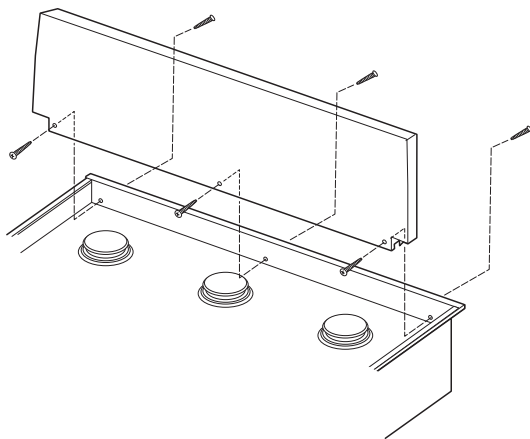
REMARQUE : Ce support est utilisé uniquement pour l'expédition et n'est pas nécessaire à l'installation.

4. Disposer un morceau de carton (provenant du côté de l'emballage) sur le plancher derrière la cuisinière. À 2 personnes ou plus, saisir fermement chaque côté de la cuisinière. Soulever la cuisinière d'environ 3" (8,0 cm) et la déplacer vers l'arrière jusqu'à la faire descendre de la palette d'expédition. Installer la cuisinière sur le carton pour éviter d'endommager le plancher.

Installation du dossieret facultatif

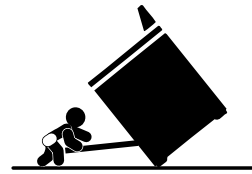
Toutes les cuisinières nécessitent un dossieret. Voir "Dimensions du placard" à la section "Exigences d'emplacement". Voir la section "Outils et pièces" pour des renseignements sur le processus de commande.

Ôter la garniture périphérique et fixer le dossieret à l'aide de 6 vis; insérer 3 vis à l'avant et 3 depuis l'arrière (dossieret illustré de 9" [22,9 cm]).



Installation de la bride antibasculement

⚠ AVERTISSEMENT



Risque de basculement

Un enfant ou une personne adulte peut faire basculer la cuisinière, ce qui peut causer un décès.

Fixer la bride antibasculement au plancher ou au mur, conformément aux instructions d'installation.

Faire glisser de nouveau la cuisinière de façon à ce que le pied arrière de la cuisinière se trouve dans la fente de la bride antibasculement.

Réengager la bride antibasculement si la cuisinière a été déplacée.

Ne pas faire fonctionner la cuisinière si la bride antibasculement n'est pas installée et engagée.

Le non-respect de ces instructions peut causer un décès ou des brûlures graves aux enfants et aux adultes.

- Déterminer la méthode de montage à utiliser : au plancher ou au mur.
Pour un plancher en pierre ou en briquetage, on peut utiliser la méthode de montage au mur.
- Déterminer et marquer l'axe central de l'espace à découper. On doit installer la bride de montage du côté droit de l'ouverture découpée. Placer la bride de montage dans l'ouverture découpée tel qu'indiqué dans l'illustration suivante.

Mesure B :

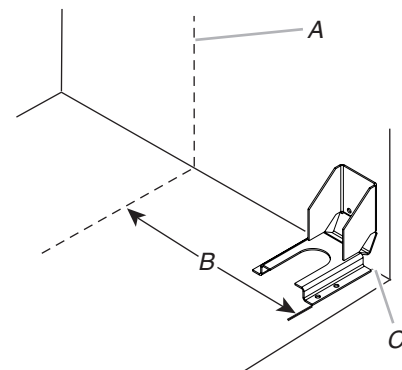
Cuisinières de 30" (76,2 cm) : 14¹/₄" (36,1 cm)

Cuisinières de 36" (91,4 cm) : 17¹/₄" (43,8 cm)

Cuisinières de 48" (121,9 cm) : 23³/₈" (59,3 cm)

Mesure C :

Autre distance possible à partir de la paroi arrière. Si la paroi arrière est fabriquée à partir d'un matériau combustible et qu'aucun dossieret n'est installé, un dégagement minimal de 6" (15,2 cm) est nécessaire pour tous les modèles. Adapter l'installation de la bride antibasculement.



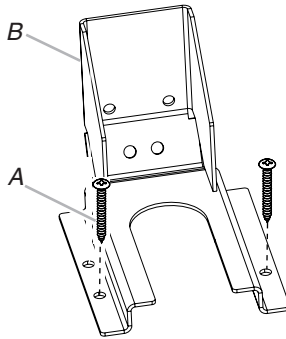
A. Axe central

B. Axe central de l'ouverture découpée jusqu'au bord extérieur de la bride antibasculement

C. Paroi arrière à l'arrière de la cuisinière

3. Percer deux trous de $\frac{1}{8}$ " (3,0 mm) qui correspondent aux trous de la bride selon la méthode de montage déterminée. Voir l'illustration ci-dessous.

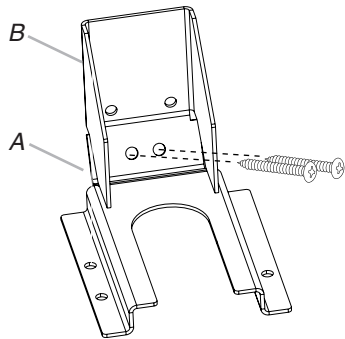
Montage au plancher



A. Vis n° 12 x $1\frac{5}{8}$ "

B. Bride antibasculement

Montage au mur



A. Vis n° 12 x $1\frac{5}{8}$ "

B. Bride antibasculement

4. À l'aide d'un tournevis Phillips, monter la bride antibasculement au mur ou au plancher avec les deux vis n° 12 x $1\frac{5}{8}$ " fournies.

En fonction de l'épaisseur du plancher, des vis plus longues peuvent s'avérer nécessaires pour fixer la bride au sous-plancher. Des vis plus longues sont disponibles auprès de votre quincaillerie locale.

5. Déplacer la cuisinière suffisamment près de l'ouverture pour pouvoir effectuer les raccordements électriques. Retirer la base d'expédition, le carton ou le panneau de fibres dur de sous la cuisinière.
6. Poursuivre l'installation de la cuisinière en utilisant les instructions d'installation suivantes.

Installation du système de filtration de l'eau (sur certains modèles)

Installation du modèle de filtre à eau W10049700

1. Localiser le filtre à eau près de la canalisation d'alimentation en eau froide situé sous l'évier de la cuisine pour filtrer l'eau froide.

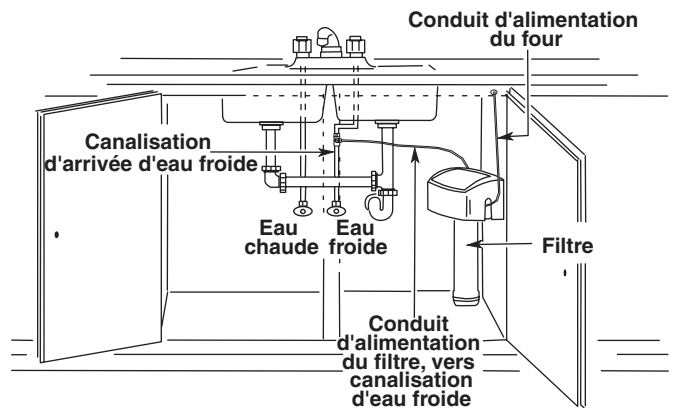
IMPORTANT : Veiller à laisser un dégagement minimal de $1\frac{1}{2}$ " (3,8 cm) sous le système de filtration pour la dépose de la cartouche de filtre.

S'assurer que l'ensemble de filtre à eau est installé en position verticale.

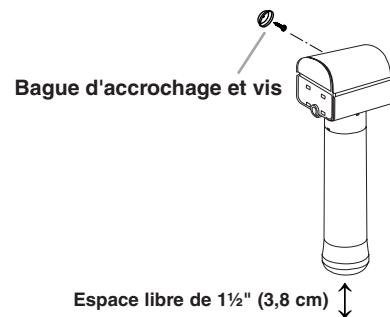
Configuration d'installation typique

REMARQUE : Pour des installations particulières, contacter un plombier agréé.

Dans le Massachusetts, un plombier agréé est exigé et le code de plomberie 248-CMR du Commonwealth du Massachusetts doit être respecté.



2. Fixer la bague d'accrochage et la vis de filtre à eau fournis à l'emplacement recommandé.
3. Fixer le filtre à l'anneau de montage.



Raccordement à l'alimentation en eau du domicile

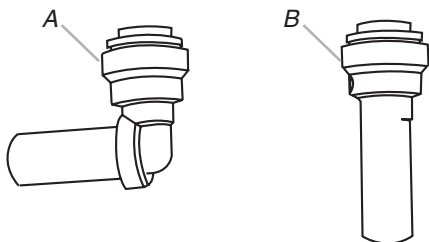
- Effectuer le raccordement à la canalisation d'alimentation d'eau froide.
 - On doit effectuer un raccordement parfaitement étanche de la canalisation d'alimentation en eau flexible de 1/4" homologuée par les codes en vigueur.
 - Vérifier les codes locaux pour connaître le type de raccordement exigé.
 - La canalisation d'alimentation en eau flexible homologuée par les codes en vigueur doit être sectionnée avec un coupe-tube de manière à ce que les extrémités soient concentriques et la coupe sans bavure.

REMARQUE : Il est recommandé que l'eau acheminée par la canalisation d'alimentation en eau froide soit de l'eau douce.

Raccordement à l'entrée du filtre à eau (jaune)

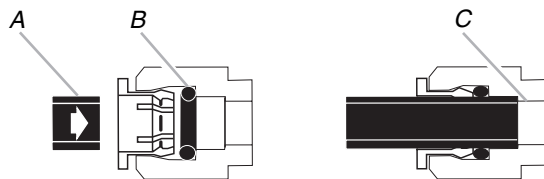
REMARQUE : Utiliser une tige à branchement rapide et/ou des raccords d'adaptation coudés, et les diverses autres pièces requises pour la configuration de l'installation.

- Fixer le raccord d'adaptation de la tige de 3/8" sur 1/4" ou le raccord d'adaptation coudé et à branchement rapide de 3/8" sur 1/4" fournis au raccord d'entrée jaune du filtre à eau en enfonçant le raccord à branchement rapide au-delà du joint torique, jusqu'à la butée.



A. Raccord d'adaptation coudé et à branchement rapide
B. Raccord d'adaptation de tige à branchement rapide

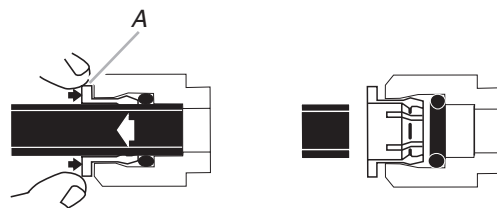
- Raccorder la canalisation d'alimentation en eau flexible homologuée par les codes en vigueur (non fournie) à partir de la canalisation d'alimentation en eau froide du domicile au raccord d'adaptation et à branchement rapide que l'on vient d'installer du côté de l'entrée (jaune) du filtre à eau.
- Tirer sur le tuyau pour s'assurer qu'il est bien fixé.



A. Tuyau d'alimentation en eau de 1/4"
B. Joint torique
C. Butée

Si l'on doit dégager le tuyau :

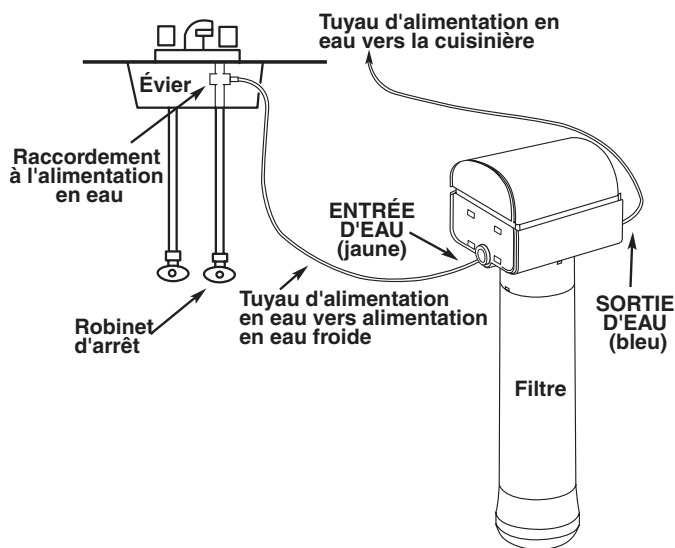
Enfoncer le collet pour libérer le tuyau. Tout en maintenant le collet enfoncé, retirer le tuyau en ligne droite.



A. Collet

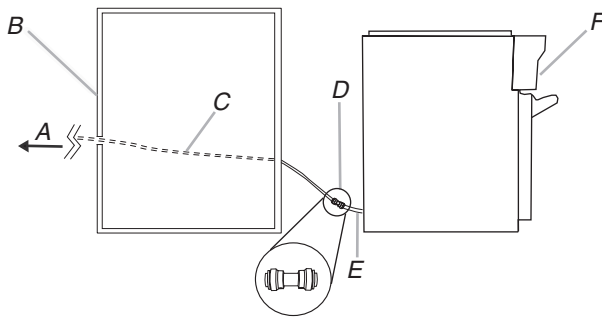
Raccordement à la sortie du filtre à eau (bleu)

- Fixer le raccord d'adaptation de la tige de 3/8" sur 1/4" ou le raccord d'adaptation coudé et à branchement rapide de 3/8" fournis au raccord de sortie bleu du filtre à eau en enfonçant le raccord à branchement rapide au-delà du joint torique, jusqu'à la butée.
- Raccorder une autre canalisation d'alimentation en eau flexible homologuée par les codes en vigueur au raccord d'adaptation et à branchement rapide que l'on vient d'installer du côté de la sortie (bleu) du filtre à eau.
- Tirer sur le tuyau pour s'assurer qu'il est bien fixé.



- Acheminer la canalisation d'alimentation en eau flexible homologuée par les codes en vigueur à travers le placard sous évier et l'ouverture découpée dans le placard pour le four.

5. Raccorder la canalisation d'alimentation en eau flexible homologuée par les codes en vigueur à la canalisation en cuivre de la cuisinière à l'aide d'un raccord d'alimentation en eau de $1/4''$ par $1/4''$.



- A. Vers l'alimentation en eau du domicile
 B. Arrière de l'ouverture découpée dans le placard
 C. Canalisation d'alimentation en eau flexible homologuée par les codes en vigueur au point d'alimentation en eau du domicile
 D. Raccord d'alimentation en eau de $1/4''$ par $1/4''$ (fourni avec l'ensemble de filtre à eau)
 E. Canalisation en cuivre du four
 F. Avant de la cuisinière

6. Ouvrir l'alimentation en eau.
 7. Contrôler tous les raccords pour vérifier l'absence de fuites.

REMARQUE : Il n'est pas nécessaire de rincer ni de traiter le filtre à eau avant de l'utiliser.

Raccordement au gaz

AVERTISSEMENT



Risque d'explosion

Utiliser une canalisation neuve d'arrivée de gaz approuvée par la CSA International.

Installer un robinet d'arrêt.

Bien serrer chaque organe de connexion de la canalisation de gaz.

En cas de connexion au gaz propane, demander à une personne qualifiée de s'assurer que la pression de gaz ne dépasse pas 36 cm (14 po) de la colonne d'eau.

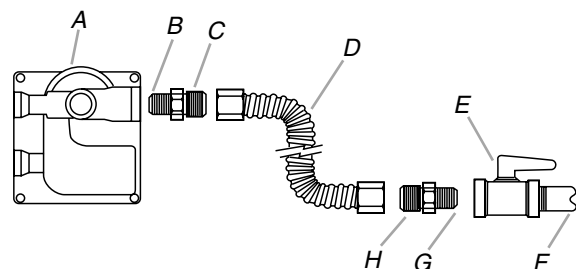
Par personne qualifiée, on comprend :

le personnel autorisé de chauffage,
 le personnel autorisé d'une compagnie de gaz, et
 le personnel d'entretien autorisé.

Le non-respect de ces instructions peut causer un décès, une explosion ou un incendie.

1. Assembler le connecteur flexible de la canalisation d'alimentation en gaz sur le détendeur situé au milieu de la cuisinière.
2. Appliquer un composé d'étanchéité des filetages résistant au propane sur l'extrémité filetée la plus petite des raccords d'adaptation flexibles. (Voir B et G dans l'illustration suivante.)
3. Fixer un raccord d'adaptation sur le détendeur et l'autre raccord d'adaptation sur le robinet d'arrêt de la canalisation de gaz. Serrer les deux raccords d'adaptation en s'assurant de ne pas bouger ou tourner le détendeur.
4. Utiliser une clé mixte de $15/16''$ et une pince multiprise pour fixer le raccord flexible sur les raccords d'adaptation. S'assurer que le raccord n'est pas déformé.

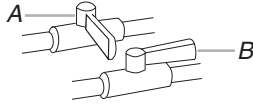
IMPORTANT: Tous les raccords doivent être bien serrés à l'aide d'une clé. Ne pas serrer excessivement la connexion sur le détendeur. Un serrage excessif pourrait provoquer une fissuration du détendeur et une fuite de gaz. Lors du serrage des raccords, empêcher le détendeur de tourner ou de bouger.



- A. Détendeur
 B. Utiliser un composé d'étanchéité pour tuyauteries.
 C. Raccord d'adaptation (doit comporter un filetage mâle de $1/2''$)
 D. Raccord flexible
 E. Robinet d'arrêt manuel
 F. Tuyau de gaz de $1/2''$ ou $3/4''$
 G. Utiliser un composé d'étanchéité pour tuyauteries.
 H. Raccord d'adaptation

Achever le raccordement

1. Ouvrir le robinet d'arrêt manuel sur la canalisation de gaz. Le robinet est ouvert lorsque la poignée est parallèle au conduit d'alimentation en gaz.

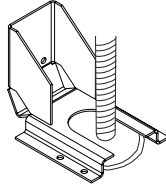


A. Robinet fermé
B. Robinet ouvert

2. Vérifier tous les raccordements en les badigeonnant d'une solution de détection des fuites non corrosive approuvée. L'apparition de bulles indique une fuite. Réparer toute fuite éventuelle.
3. Ôter les chapeaux, bases et grilles de brûleur de la table de cuisson du sachet de pièces. Placer les bases de brûleur sur la table de cuisson puis placer les chapeaux de brûleur sur les bases de brûleur. Ensuite, placer les grilles de brûleur sur les brûleurs et chapeaux.
4. Brancher la cuisinière sur une prise à 3 alvéoles reliée à la terre. (Voir la section "Spécifications électriques".)
5. Ouvrir la source d'alimentation. Pour plus de renseignements, consulter les instructions pour l'utilisateur dans le Guide d'utilisation et d'entretien.

Vérification de l'emplacement de la bride antibasculement

1. À l'aide d'une clé à molette ou d'une douille de $\frac{5}{16}$ ", tourner les 4 mires de nivellement d'un tour complet pour soulever la cuisinière et fournir suffisamment de dégagement pour que le pied de nivellement arrière puisse pénétrer dans la bride anti-basculement.

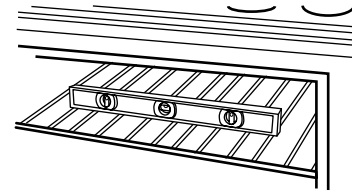


2. Déplacer la cuisinière vers son emplacement final en s'assurant que le pied de nivellement arrière glisse dans la bride antibasculement.
3. À l'aide d'une lampe de poche, inspecter le dessous de la cuisinière pour vérifier que le pied arrière de la cuisinière se trouve dans la fente de la bride antibasculement.

Réglage de l'aplomb de la cuisinière

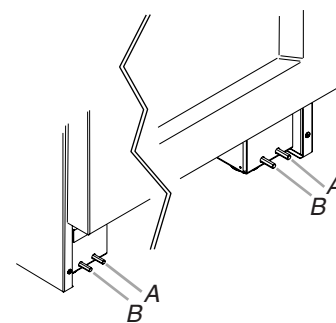
REMARQUE : La cuisinière doit être d'aplomb pour que les résultats de cuisson au four soient satisfaisants.

1. Placer la grille dans le four.
2. Placer un niveau sur la grille et contrôler l'aplomb de la cuisinière, d'abord transversalement, puis dans le sens avant/arrière.



3. Si la cuisinière n'est pas d'aplomb, ajuster les mires de nivellement. Tourner les mires de nivellement situées derrière le garde-pieds pour mettre la cuisinière d'aplomb et pour soulever ou abaisser la cuisinière à la hauteur du plan de travail désirée.

REMARQUE : Aucun pied à roulettes ne doit être en contact avec le sol lors de l'installation finale.

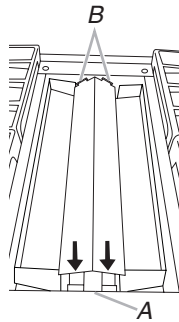


A. Mire de nivellement arrière
B. Mire de nivellement avant et en l'air

Installation des plateaux à graisse du grill

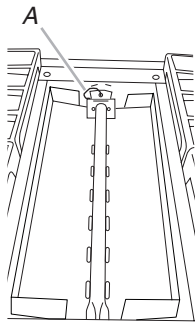
(sur les modèles avec grill)

1. Ôter le répartiteur de flammes. Tirer le répartiteur de flammes légèrement vers l'avant pour libérer les onglets des encoches arrière et le soulever.



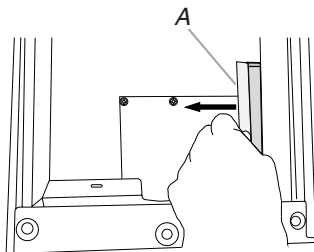
A. Avant du grill
B. Onglets et encoches arrière

2. Couper et retirer l'attache de fixation de l'arrière de l'ensemble de brûleur.



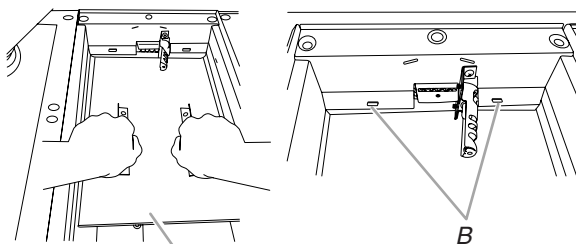
A. Attache de fixation

3. Soulever l'ensemble de brûleur et le tirer vers l'extérieur pour l'extraire.
4. Faire glisser le plateau d'égouttement dans l'ouverture du côté droit du bac du grill. Il y a des guides pour s'assurer de la position correcte du plateau d'égouttement.



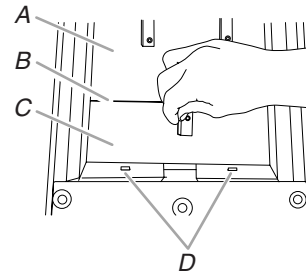
A. Plateau d'égouttement

5. Insérer complètement le grand plateau à graisse sous le rebord arrière du bac du grill et l'engager dans les encoches.



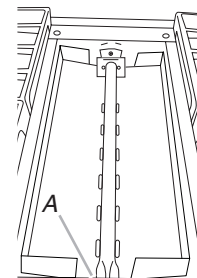
A. Grand plateau à graisse
B. Encoches

6. Insérer complètement le petit plateau à graisse sous le rebord avant du bac du grill et l'engager dans les encoches. Lorsque les 2 plateaux à graisse sont correctement installés, le petit plateau à graisse s'emboîte sur le grand plateau à graisse.



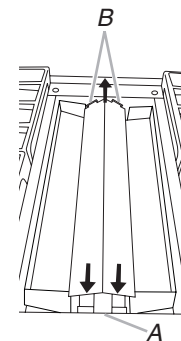
A. Grand plateau à graisse
B. Connexion du plateau à graisse
C. Petit plateau à graisse
D. Encoches

7. Insérer le tube à orifices à l'avant de l'ensemble de brûleur, dans l'ouverture située à l'avant du bac du grill et mettre l'ensemble de brûleur en place.



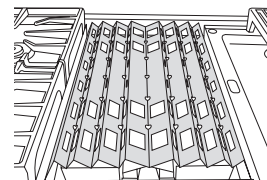
A. Ouverture avant

8. Insérer les onglets avant du répartiteur de flammes dans les encoches situées à l'avant du bac du grill, puis les onglets arrière dans les encoches arrière.



A. Onglets et encoches avant
B. Onglets et encoches arrière

9. Contrôler les flammes sur les brûleurs du grill et de surface. Voir la section "Système d'allumage électronique".
10. Placer le plateau ondulé par-dessus le répartiteur de flammes.



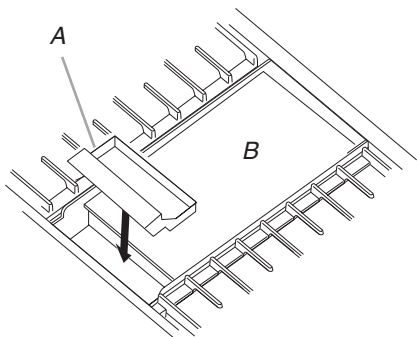
11. Mettre la grille de grill en position.

Installation de la plaque à frire

(sur modèles avec plaque à frire)

La plaque à frire est installée à l'usine.

1. Placer le plateau d'égouttement dans la cavité à l'avant de la plaque à frire. Faire glisser le plateau vers l'arrière jusqu'à la position de butée.



A. Plateau d'égouttement de la plaque à frire
B. Plaque à frire

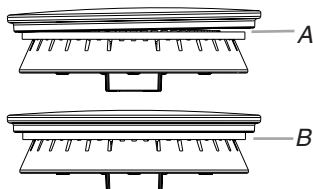
2. Nettoyer la plaque à frire avant de l'utiliser. Consulter le Guide d'utilisation et d'entretien.

Système d'allumage électronique

Installation des bases et des chapeaux de brûleur

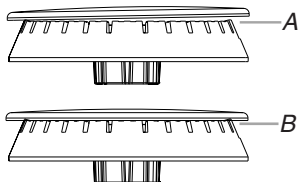
Installer la base du brûleur et s'assurer que l'électrode d'allumage est correctement alignée avec la base. Placer les chapeaux de brûleurs sur la tête des bases des brûleurs. Si les chapeaux de brûleurs ne sont pas correctement installés, les brûleurs de surface ne s'allumeront pas.

Brûleur à double flamme Ultra Power™



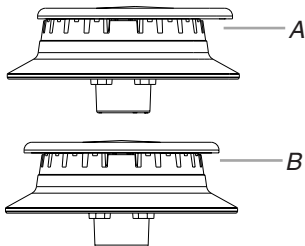
A. Incorrect
B. Correct

Brûleur professionnel



A. Incorrect
B. Correct

Brûleur pour faire mijoter/fondre



A. Incorrect
B. Correct

Allumage initial et réglages des flammes de gaz

À la place de flammes de veille, les brûleurs de la table de cuisson sont dotés d'allumeurs électroniques. Lorsqu'on place le bouton de commande de la table de cuisson dans n'importe quelle position, le système génère une étincelle pour allumer le brûleur. Les étincelles continuent d'être générées jusqu'à ce que la flamme soit allumée ou que l'on tourne le bouton à OFF (arrêt).

REMARQUE : L'allumage des brûleurs prend plus de temps la première fois. Cela permet au gaz d'arriver aux brûleurs lors de la première utilisation.

Contrôle du fonctionnement des brûleurs de la table de cuisson

Enfoncer et tourner chaque bouton de commande à la position "LITE" (allumage).

REMARQUE : Un déclic retentit lorsque la canalisation se vide.

Les brûleurs de surface et les flammes du gril doivent s'allumer en moins de 4 secondes. La première fois que l'on allume un brûleur, il peut prendre plus de 4 secondes pour s'allumer à cause de l'air se trouvant dans la canalisation de gaz.

Après avoir vérifié le bon fonctionnement du brûleur, tourner les boutons de commande à OFF (arrêt).

Si les brûleurs ne s'allument pas correctement :

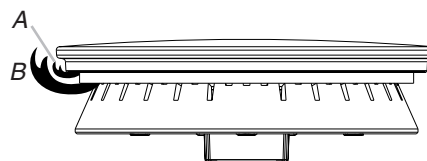
- Tourner le bouton de commande de la table de cuisson à la position Off (arrêt).
- Vérifier que la cuisinière est branchée et que le disjoncteur n'est pas ouvert ou qu'un fusible n'a pas grillé.
- Vérifier que chaque robinet d'arrêt de gaz est à la position ouverture.
- Vérifier que les chapeaux de brûleurs sont correctement placés sur la base des brûleurs.

Répéter le processus de mise en marche. Si à ce stade un brûleur ne s'allume pas, contacter le revendeur ou un dépanneur agréé.

Hauteur de flamme

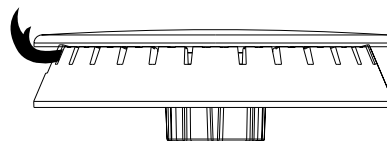
La flamme de la table de cuisson doit correspondre à une flamme bleue stable d'environ 1/4" (0,64 cm) de hauteur.

Brûleur à double flamme



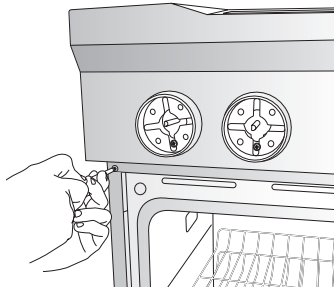
A. Flamme (mijotage) supérieure
B. Flamme inférieure

Brûleur à flamme simple



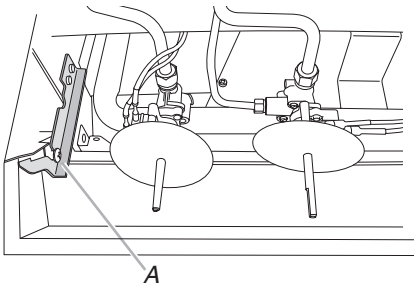
Réglage de la taille des flammes :

1. Débrancher la cuisinière ou déconnecter la source de courant électrique.
2. Ôter les grilles de brûleur.
3. Ôter les boutons de commande.
4. Ouvrir la porte du four et ôter les 2 vis qui maintiennent la console de commande en place de chaque côté de la cuisinière.



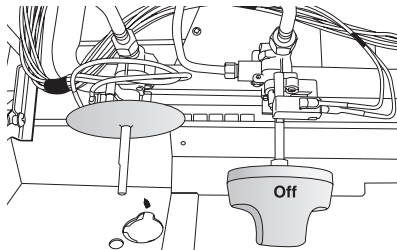
REMARQUE : Veiller à laisser la porte du four entrouverte, sans quoi la console de commande ne reposera pas correctement sur les brides latérales une fois détachée.

5. Tirer la console de commande vers le haut et la laisser retomber vers l'avant dans les brides à encoche de la console situées de chaque côté.

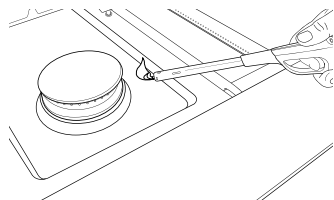


A. Brides de la console de commande

6. Ôter le joint circulaire de la tige de réglage du robinet.
7. Placer un bouton de commande sur la tige de réglage du brûleur que l'on souhaite régler.



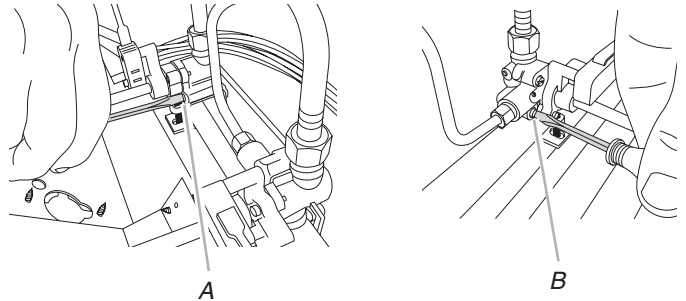
8. Tourner le bouton de commande à LO (faible) et allumer le brûleur avec un briquet à butane allongé.



9. Ôter le bouton de commande.

10. Régler la hauteur de flamme à l'aide d'un tournevis à lame plate de 1/8" x 4 1/4". Serrer la vis pour réduire la hauteur de la flamme. Desserrer la vis pour augmenter la hauteur de flamme.

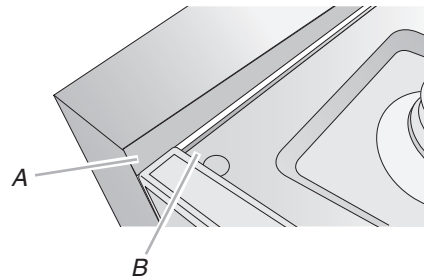
REMARQUE : Pour la conversion pour l'alimentation au propane, serrer complètement la vis de réglage sur les robinets à sortie unique. Aucun réglage n'est nécessaire sur le robinet à deux sorties.



A. Vis de réglage du brûleur à flamme simple (du côté droit du robinet)

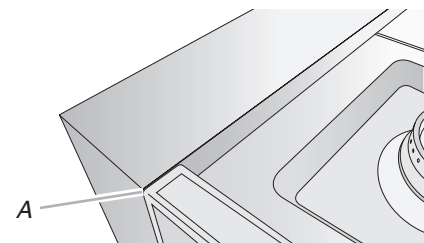
B. Vis de réglage du brûleur à double flamme (du côté gauche du robinet)

11. Lorsque l'on a terminé de régler la hauteur de flamme, replacer le bouton de commande sur la tige de réglage du robinet et éteindre le brûleur.
12. Ôter le bouton de commande.
13. Remettre en place le joint circulaire.
14. Répéter les étapes 6 à 13 pour tout autre brûleur nécessitant un réglage.
15. Soulever la console de commande et la remettre en place. Pour que les deux soient bien emboîtées, le rebord de la console de commande doit se rabattre par-dessus la bordure de l'avant de la table de cuisson de la cuisinière.



A. Rebord de la console de commande
B. Bordure avant de la table de cuisson de la cuisinière

16. Vérifier que la console de commande est en affleurement avec le bord supérieur de la cuisinière.

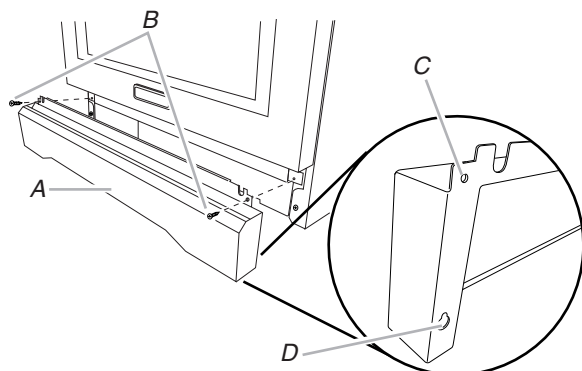


A. En affleurement avec le dessus de la cuisinière

17. Remettre en place les 2 vis de chaque côté de la console de commande.
18. Réinstaller les boutons de commande.
19. Réinstaller les grilles des brûleurs.
20. Tester la flamme en tournant le bouton de commande pour le faire passer de la position Lo (basse) à la position Hi (élevée) et observer les flammes pour chaque réglage.

Réinstallation du garde-pieds

1. Aligner les trous de montage des vis à épaulement avec les vis à épaulement de la cuisinière.
2. Redresser le garde-pieds et le pousser contre l'avant de la cuisinière jusqu'à ce que les trous de vis supérieurs soient alignés avec les trous de montage à l'avant de la cuisinière.
3. Réinstaller les vis au sommet du garde-pieds.



- A. Garde-pieds
B. Visser à nouveau ces vis.
C. Trou de vis supérieur
D. Trou de montage de vis à épaulement

Achever l'installation

1. Vérifier que toutes les pièces sont maintenant installées. S'il reste une pièce, passer en revue les différentes étapes pour découvrir laquelle aurait été oubliée.
2. Vérifier la présence de tous les outils.
3. Éliminer/recycler tous les matériaux d'emballage.
4. Pour l'utilisation et le nettoyage du four, lire le Guide d'utilisation et d'entretien.

Contrôle du fonctionnement du/des four(s)

1. Mettre l'appareil sous tension.
2. Lancer un programme de cuisson au four. Consulter le Guide d'utilisation et d'entretien pour obtenir des instructions détaillées.

Si le(s) four(s) ne fonctionne(nt) pas, contrôler ce qui suit :

- Les fusibles du domicile sont intacts et serrés; le disjoncteur n'est pas déclenché.
- L'appareil est raccordé à l'alimentation électrique.
- Voir la section "Dépannage" dans le guide d'utilisation et d'entretien.

3. Après 10 à 15 minutes de fonctionnement du four, ouvrir la porte du four et voir s'il y a de la chaleur.
Si aucune émission de chaleur n'est perceptible, ou si un code d'anomalie ("F" suivi d'un chiffre plus "E" suivi d'un chiffre) apparaît sur l'afficheur, interrompre l'alimentation du four et contacter un technicien qualifié.
4. Appuyer sur OFF (arrêt).

Pour le réglage de l'horloge et d'autres fonctions du four, consulter le Guide d'utilisation et d'entretien.

Si vous avez besoin d'assistance ou de service :

Consulter la section "Assistance ou service" du Guide d'utilisation et d'entretien ou contacter le marchand chez qui vous avez acheté votre cuisinière.

CONVERSIONS POUR CHANGEMENT DE GAZ

IMPORTANT : L'opération de conversion de l'appareil (pour l'alimentation au gaz propane au lieu du gaz naturel) doit être exécutée par un installateur qualifié.

⚠ AVERTISSEMENT



Risque d'explosion

Utiliser une canalisation neuve d'arrivée de gaz approuvée par la CSA International.

Installer un robinet d'arrêt.

Bien serrer chaque organe de connexion de la canalisation de gaz.

En cas de connexion au gaz propane, demander à une personne qualifiée de s'assurer que la pression de gaz ne dépasse pas 36 cm (14 po) de la colonne d'eau.

Par personne qualifiée, on comprend :

le personnel autorisé de chauffage,
le personnel autorisé d'une compagnie de gaz, et
le personnel d'entretien autorisé.

Le non-respect de ces instructions peut causer un décès, une explosion ou un incendie.

Conversion pour l'alimentation au propane

⚠ AVERTISSEMENT



Risque de basculement

Un enfant ou une personne adulte peut faire basculer la cuisinière, ce qui peut causer un décès.

Fixer la bride antibasculement au plancher ou au mur, conformément aux instructions d'installation.

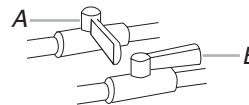
Faire glisser de nouveau la cuisinière de façon à ce que le pied arrière de la cuisinière se trouve dans la fente de la bride antibasculement.

Réengager la bride antibasculement si la cuisinière a été déplacée.

Ne pas faire fonctionner la cuisinière si la bride antibasculement n'est pas installée et engagée.

Le non-respect de ces instructions peut causer un décès ou des brûlures graves aux enfants et aux adultes.

1. Tourner le robinet d'arrêt manuel pour le placer à la position de fermeture.

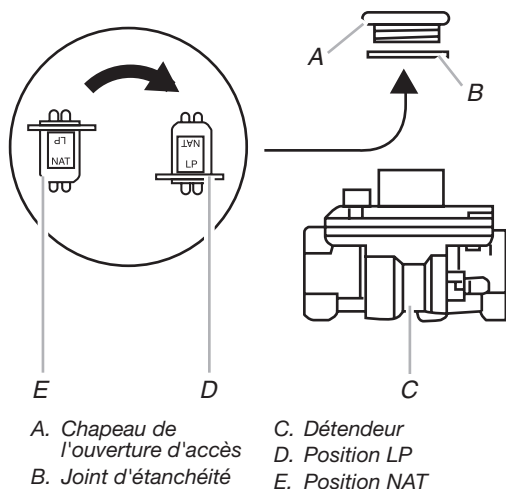


- A. Vers la cuisinière
B. Robinet d'arrêt (position de fermeture)
C. Canalisation d'alimentation en gaz

2. Débrancher la cuisinière ou déconnecter la source de courant électrique.

Conversion du détendeur

1. Utiliser une clé pour enlever le chapeau de l'ouverture d'accès; faire tourner le chapeau dans le sens antihoraire.
2. Ôter le ressort de retenue qui se trouve sous le chapeau en poussant contre le côté plat du ressort de retenue. Examiner le ressort de retenue pour identifier la position "NAT" (gaz naturel) ou "LP" (gaz propane). Orienter correctement le ressort de retenue pour que la mention "LP" soit au fond. Réinstaller le ressort de retenue dans le chapeau. Réinstaller le chapeau sur le détendeur.



3. Tester le détendeur et la canalisation de gaz.

On doit tester le détendeur sous une pression supérieure d'au moins 1" (2,5 cm) (colonne d'eau) à la pression de réglage. Pour le fonctionnement et le contrôle du réglage du détendeur, il faut que la pression d'admission au détendeur corresponde aux indications ci-dessous :

Gaz propane :

Pression minimale de 11" (27,9 cm) (colonne d'eau)

Pression maximale de 14" (35,5 cm) (colonne d'eau)

Test de pressurisation de la canalisation de gaz

On doit tester le détendeur sous une pression supérieure d'au moins 1" (colonne d'eau) à la pression de la tubulure de distribution indiquée sur la plaque signalétique.

Pressurisation à une pression supérieure à 1/2 lb/po² (14" – colonne d'eau)

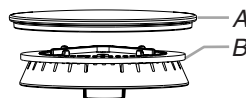
Pour tout test de pressurisation du système à une pression supérieure à 1/2 lb/po² (3,5 kPa), on doit déconnecter la cuisinière et son robinet d'arrêt des canalisations d'alimentation en gaz à pressuriser.

Pressurisation à une pression de 1/2 lb/po² (14" – colonne d'eau) ou moins

La cuisinière devra être isolée des canalisations d'alimentation en gaz par la fermeture du robinet d'arrêt manuel individuel durant tout test de pressurisation des canalisations d'alimentation en gaz à une pression égale ou inférieure à 1/2 lb/po² (3,5 kPa).

Conversion des brûleurs de surface

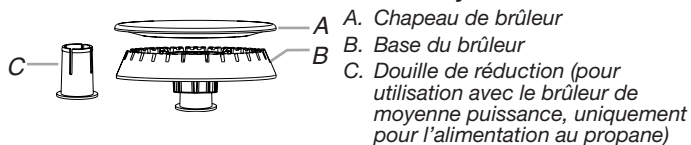
1. Enlever les grilles de brûleur si elles sont installées.
2. Ôter le chapeau de brûleur.
3. Ôter la base du brûleur.



Gros brûleur à double flamme

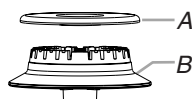
A. Chapeau de brûleur
B. Base du brûleur

Brûleur moyen



A. Chapeau de brûleur
B. Base du brûleur

C. Douille de réduction (pour utilisation avec le brûleur de moyenne puissance, uniquement pour l'alimentation au propane)



Petit brûleur

A. Chapeau de brûleur
B. Base du brûleur

4. Appliquer du ruban adhésif de masquage à l'extrémité d'un tourne-écrou de 7 mm pour retenir le gicleur du brûleur dans le tourne-écrou durant l'extraction. Insérer le tourne-écrou dans l'ouverture de gaz, appuyer sur le gicleur et le retirer en le faisant tourner dans le sens antihoraire et en le soulevant. Conserver à part le gicleur du brûleur.

5. Remplacer le gicleur par un gicleur pour gaz propane de taille correcte. Voir le "Tableau de sélection des gicleurs/injecteurs femelles pour gaz propane".

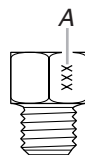
Suivre les indications du tableau ci-dessous pour pouvoir déterminer l'emplacement exact de chaque gicleur de brûleur.

Insérer complètement la douille de réduction au fond de la base du brûleur de moyenne puissance. La douille doit s'emboîter en place.

Tableau de sélection des gicleurs/injecteurs femelles pour gaz propane

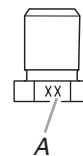
Puissance thermique	Couleur	Taille	Style de brûleur
3000 BTUs	Bleu	0,55 mm	Petits brûleurs
11000 BTUs	Jaune	0,97 mm	Brûleurs moyens
14000 BTUs	Rouge/Vert	1,05 mm 0,35 mm	Gros brûleur - principal Gros brûleur - mijotage
14500 BTUs	Noir	1,18 mm	Brûleur du grill

Gicleur de brûleur



A. Marquage ou couleur pour identification de la taille

Injecteur femelle du grill



A. Marquage pour identification de la taille

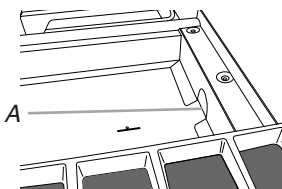
- Placer le gicleur pour gaz naturel dans le sachet en plastique contenant les pièces et conserver le tout avec le sachet de documentation pour pouvoir le réutiliser ultérieurement.

REMARQUE : Il peut y avoir des trous supplémentaires dans votre trousse.

- Réinstaller la base du brûleur à l'aide des deux vis.
- Réinstaller la tête et le chapeau de brûleur.
- Répéter les étapes 2 à 8 pour les autres brûleurs.

Conversion du brûleur du grill (sur certains modèles)

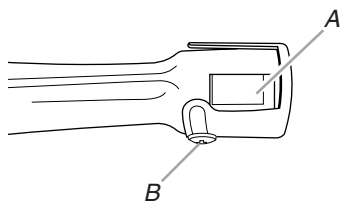
- Ôter la grille du grill, le plateau ondulé, le répartiteur de flammes et l'ensemble de brûleur. Voir la section "Installation des plateaux à graisse du grill" pour des instructions sur la dépose. Conserver les pièces à part.
- Retirer l'injecteur femelle pour gaz naturel à l'aide d'une douille longue de $1/2$ ". Remplacer l'injecteur par un injecteur femelle de gaz propane pour grill de taille correcte. Voir le "Tableau de sélection des gicleurs/injecteurs femelles pour gaz propane".



A. Emplacement de l'injecteur femelle du grill

- Tourner l'injecteur femelle pour gaz propane vers le bas jusqu'à ce qu'il soit bien serré contre la base de l'injecteur.
- Placer les injecteurs femelles pour gaz naturel dans le sachet de pièces en plastique et les conserver avec le sachet de documentation, pour pouvoir les réutiliser ultérieurement.

Avant de remettre le brûleur en place, desserrer la vis à l'avant du brûleur et faire pivoter la virole de réglage de façon à ce que l'ouverture fasse $5/16$ " (8,0 mm) de largeur.



A. Ouverture de la virole de réglage
B. Vis

- Réinstaller le brûleur, le répartiteur de flammes, le plateau ondulé, et la grille du grill. Voir la section "Installation des plateaux à graisse du grill" pour les instructions d'installation.
- Ouvrir le robinet d'arrêt de la canalisation d'alimentation en gaz. Le robinet est ouvert lorsque la manette est parallèle à la canalisation de gaz.

NE PAS OUBLIER : Après avoir exécuté la conversion du grill, effectuer un test de recherche des fuites au niveau de la cuisinière en appliquant une solution de détection des fuites homologuée non corrosive. La formation de bulles identifie une fuite. Éliminer toute fuite détectée.

- Brancher la cuisinière ou reconnecter la source de courant électrique.

Achever l'installation

- Pour le raccordement correct de la cuisinière à la canalisation de gaz, se reporter à la section "Raccordement au gaz".
- Pour l'allumage et l'utilisation corrects du brûleur ainsi que le réglage des flammes sur le brûleur, voir la section "Système d'allumage électronique".

IMPORTANT : Il peut être nécessaire de modifier le réglage des flammes à la position du débit thermique minimum "LO" pour chaque brûleur de la table de cuisson.

Il est très important de vérifier l'établissement de flammes correctes sur les brûleurs de la table de cuisson. Le petit cône interne doit comporter une flamme bleue très distincte de $1/4$ " (0,64 cm) à $1/2$ " (1,3 cm) de longueur. Le cône externe n'est pas aussi distinct que le cône interne. Les flammes d'un brûleur alimenté au propane comportent une pointe légèrement jaune.

- Voir le paragraphe "Achever l'installation" de la section "Instructions d'installation" du présent manuel pour achever cette procédure.

Conversion pour l'alimentation au gaz naturel

⚠ AVERTISSEMENT



Risque de basculement

Un enfant ou une personne adulte peut faire basculer la cuisinière, ce qui peut causer un décès.

Fixer la bride antibasculement au plancher ou au mur, conformément aux instructions d'installation.

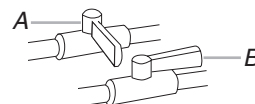
Faire glisser de nouveau la cuisinière de façon à ce que le pied arrière de la cuisinière se trouve dans la fente de la bride antibasculement.

Réengager la bride antibasculement si la cuisinière a été déplacée.

Ne pas faire fonctionner la cuisinière si la bride antibasculement n'est pas installée et engagée.

Le non-respect de ces instructions peut causer un décès ou des brûlures graves aux enfants et aux adultes.

- Fermer le robinet d'arrêt manuel.

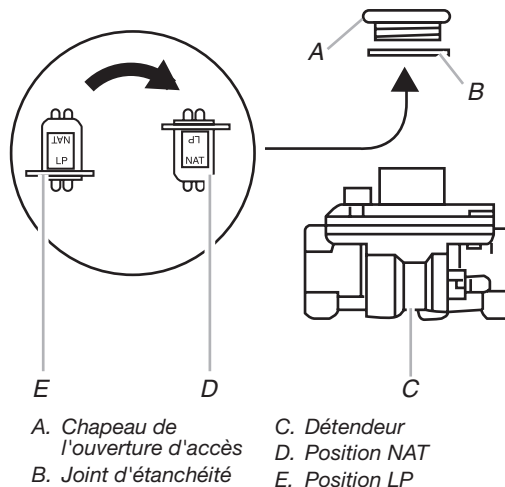


A. Vers la cuisinière
B. Robinet d'arrêt (position de fermeture)
C. Canalisation d'alimentation en gaz

- Débrancher la cuisinière ou déconnecter la source de courant électrique.

Conversion du détendeur

1. Utiliser une clé pour enlever le chapeau de l'ouverture d'accès; faire tourner le chapeau dans le sens antihoraire.
2. Ôter le ressort de retenue qui se trouve sous le chapeau en poussant contre le côté plat du ressort de retenue. Examiner le ressort de retenue pour identifier la position "LP" (propane) ou "NAT" (gaz naturel). Orienter correctement le ressort de retenue pour que la mention "NAT" soit au fond. Réinstaller le ressort de retenue dans le chapeau. Réinstaller le chapeau sur le détendeur.



3. Tester le détendeur et la canalisation de gaz.

On doit tester le détendeur sous une pression supérieure d'au moins 1" (2,5 cm) (colonne d'eau) à la pression de réglage. Pour le fonctionnement et le contrôle du réglage du détendeur, il faut que la pression d'admission au détendeur corresponde aux indications ci-dessous :

Gaz naturel :

Pression minimale de 6" (15,2 cm) (colonne d'eau)

Pression maximale de 14" (35,6 cm) (colonne d'eau)

Test de pressurisation de la canalisation de gaz

On doit tester le détendeur sous une pression supérieure d'au moins 1" (colonne d'eau) à la pression de la tubulure de distribution indiquée sur la plaque signalétique.

Pressurisation à une pression supérieure à 1/2 lb/po² (14" – colonne d'eau)

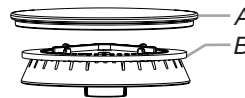
Pour tout test de pressurisation du système à une pression supérieure à 1/2 lb/po² (3,5 kPa), on doit déconnecter la cuisinière et son robinet d'arrêt des canalisations d'alimentation en gaz à pressuriser.

Pressurisation à une pression de 1/2 lb/po² (14" – colonne d'eau) ou moins

La cuisinière devra être isolée des canalisations d'alimentation en gaz par la fermeture du robinet d'arrêt manuel individuel durant tout test de pressurisation des canalisations d'alimentation en gaz à une pression égale ou inférieure à 1/2 lb/po² (3,5 kPa).

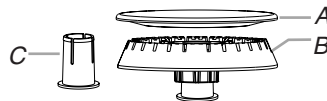
Conversion des brûleurs de surface

1. Enlever les grilles de brûleur si elles sont installées.
2. Ôter le chapeau de brûleur.
3. Ôter la base du brûleur.



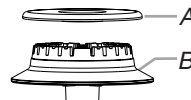
Gros brûleur à double flamme

- A. Chapeau de brûleur
B. Base du brûleur



Brûleur moyen

- A. Chapeau de brûleur
B. Base du brûleur
C. Douille de réduction (pour utilisation avec le brûleur de moyenne puissance, uniquement pour l'alimentation au propane)



Petit brûleur

- A. Chapeau de brûleur
B. Base du brûleur

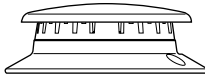
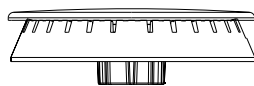

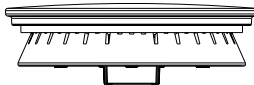
4. Appliquer du ruban adhésif de masquage à l'extrémité d'un tourne-écrou de 7 mm pour retenir le gicleur du brûleur dans le tourne-écrou durant l'extraction. Insérer le tourne-écrou dans l'ouverture de gaz, appuyer sur le gicleur et le retirer en le faisant tourner dans le sens antihoraire et en le soulevant. Conserver à part le gicleur du brûleur.

5. Remplacer le gicleur par un gicleur pour gaz naturel de taille correcte. Voir le "Tableau de sélection des gicleurs/injecteurs femelles pour gaz naturel".

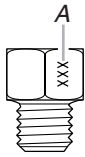
Suivre les indications du tableau ci-dessous pour pouvoir déterminer l'emplacement exact de chaque gicleur de brûleur.

Enlever la douille de réduction de la base du brûleur de moyenne puissance.

Tableau de sélection des gicleurs/injecteurs femelles pour gaz naturel

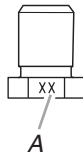
Puissance thermique	Taille	Style de brûleur
5000 BTUs	0,97 mm	Petits brûleurs
		
15000 BTUs	1,75 mm	Brûleurs moyens
		
		 Douille de réduction
20000 BTUs	1,98 mm 0,52 mm	Gros brûleur - principal Gros brûleur - mijotage
		
18000 BTUs	1,93 mm	Brûleur du grill

Gicleur de brûleur



A. Marquage pour identification de la taille

Injecteur femelle du grill



A. Marquage pour identification de la taille

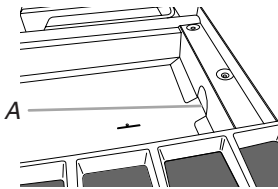
- Placer les gicleurs pour propane dans le sachet de pièces en plastique et avec les documents fournis avec l'appareil, pour pouvoir les réutiliser ultérieurement.

REMARQUE : Il peut y avoir des trous supplémentaires dans votre trousse.

- Réinstaller la base du brûleur.
- Réinstaller le chapeau de brûleur.
- Répéter les étapes 2 à 8 pour les autres brûleurs.

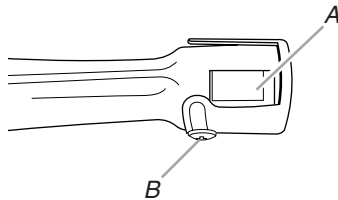
Conversion du brûleur du grill (sur certains modèles)

- Ôter la grille du grill, le plateau ondulé, le répartiteur de flammes et l'ensemble de brûleur. Voir la section "Installation des plateaux à graisse du grill" pour des instructions sur la dépose. Conserver les pièces à part.
- Retirer l'injecteur femelle pour gaz propane à l'aide d'une douille longue de 1/2". Remplacer l'injecteur par un injecteur femelle de gaz naturel pour grill de taille correcte. Voir le "Tableau de sélection des gicleurs/injecteurs femelles pour gaz naturel".



A. Emplacement de l'injecteur femelle du grill

- Tourner l'injecteur femelle pour gaz naturel vers le bas jusqu'à ce qu'il soit bien serré contre la base de l'injecteur.
- Placer les injecteurs femelles pour gaz propane dans le sachet de pièces en plastique et les conserver avec le sachet de documentation, pour pouvoir les réutiliser ultérieurement.
- Avant de remettre le brûleur en place, desserrer la vis à l'avant du brûleur et faire pivoter la virole de réglage de façon à ce que l'ouverture fasse 3/8" (9,0 mm) de largeur.



A. Ouverture de la virole de réglage
B. Vis

- Réinstaller le brûleur, le répartiteur de flammes, le plateau ondulé, et la grille du grill. Voir la section "Installation des plateaux à graisse du grill" pour les instructions d'installation.
- Ouvrir le robinet d'arrêt de la canalisation d'alimentation en gaz. Le robinet est ouvert lorsque la manette est parallèle à la canalisation de gaz.

NE PAS OUBLIER : Après avoir exécuté la conversion du grill, effectuer un test de recherche des fuites au niveau de la cuisinière en appliquant une solution de détection des fuites homologuée non corrosive. La formation de bulles identifie une fuite. Éliminer toute fuite détectée.

- Brancher la cuisinière ou reconnecter la source de courant électrique.

Achever l'installation

- Pour le raccordement correct de la cuisinière à la canalisation de gaz, se reporter à la section "Raccordement au gaz".
- Pour l'allumage et l'utilisation corrects du brûleur ainsi que le réglage des flammes sur le brûleur, voir la section "Système d'allumage électronique".

IMPORTANT : Il peut être nécessaire de modifier le réglage des flammes à la position du débit thermique minimum "LO" pour chaque brûleur de la table de cuisson.

Il est très important de vérifier l'établissement de flammes correctes sur les brûleurs de la table de cuisson. Le petit cône interne doit comporter une flamme bleue très distincte de 1/4" (0,64 cm) à 1/2" (1,3 cm) de longueur. Le cône externe n'est pas aussi distinct que le cône interne. Les flammes d'un brûleur alimenté au propane comportent une pointe légèrement jaune.

- Voir le paragraphe "Achever l'installation" de la section "Instructions d'installation" du présent manuel pour achever cette procédure.

