

LP GAS CONVERSION INSTRUCTIONS

For WCG, MGC, KCGS and ICS5/6 Model Series

INSTRUCTIONS DE CONVERSION - GAZ PROPANE

Pour séries de modèles WCG, MGC, KCGS et ICS5/6

Table of Contents/Table des matières

COOKTOP SAFETY	2	SÉCURITÉ DE LA TABLE DE CUISSON	11
Tools and Parts	3	Outillage et pièces.....	12
Convert from Natural Gas to LP Gas.....	3	Conversion de gaz naturel à propane.....	13
Convert from LP Gas to Natural Gas.....	6	Conversion de propane à gaz naturel.....	16
Lighting the Electronic Igniters	9	Allumeurs électroniques - allumage.....	18
Flame Height Adjustment.....	9	Réglage de la taille des flammes	19
Complete Burner Adjustment	10	Achever le réglage des brûleurs.....	20

IMPORTANT:

Installer: Leave installation instructions with the homeowner.

Homeowner: Keep installation instructions for future reference.

IMPORTANT :

Installateur : Remettre les instructions d'installation au propriétaire.

Propriétaire : Conserver les instructions d'installation pour référence ultérieure.

COOKTOP SAFETY

Your safety and the safety of others are very important.

We have provided many important safety messages in this manual and on your appliance. Always read and obey all safety messages.



This is the safety alert symbol.

This symbol alerts you to potential hazards that can kill or hurt you and others.

All safety messages will follow the safety alert symbol and either the word "DANGER" or "WARNING."

These words mean:

⚠ DANGER

You can be killed or seriously injured if you don't immediately follow instructions.

⚠ WARNING

You can be killed or seriously injured if you don't follow instructions.

All safety messages will tell you what the potential hazard is, tell you how to reduce the chance of injury, and tell you what can happen if the instructions are not followed.

WARNING: If the information in this manual is not followed exactly, a fire or explosion may result causing property damage, personal injury or death.

- Do not store or use gasoline or other flammable vapors and liquids in the vicinity of this or any other appliance.
- **WHAT TO DO IF YOU SMELL GAS:**
 - Do not try to light any appliance.
 - Do not touch any electrical switch.
 - Do not use any phone in your building.
 - Immediately call your gas supplier from a neighbor's phone. Follow the gas supplier's instructions.
 - If you cannot reach your gas supplier, call the fire department.
- Installation and service must be performed by a qualified installer, service agency or the gas supplier.

WARNING: Gas leaks cannot always be detected by smell.

Gas suppliers recommend that you use a gas detector approved by UL or CSA.

For more information, contact your gas supplier.

If a gas leak is detected, follow the "What to do if you smell gas" instructions.

In the State of Massachusetts, the following installation instructions apply:

- Installations and repairs must be performed by a qualified or licensed contractor, plumber, or gasfitter qualified or licensed by the State of Massachusetts.
- If using a ball valve, it shall be a T-handle type.
- A flexible gas connector, when used, must not exceed 3 feet.

Tools and Parts

Gather the required tools and parts necessary for correct LP gas conversion.

Tools needed

- Flat-blade screwdriver
- $\frac{3}{32}$ " (#0 [2.0 mm]) flat-blade screwdriver (screwdriver shaft must be a minimum of 2" [5.1 cm] long)
- Adjustable wrench
- 7.0 mm nut driver
- 7.0 mm wrench
- T10 Torx[†] adapter

Parts needed

For models KCGS550ESS, KCGS556ESS, KCGS950ESS and KCGS956ESS use the following parts:

- LP orifice package (W10676662)
- Conversion instructions (W10597146A)

For all other models use the following parts:

- LP orifice package (W10676661)
- Conversion instructions (W10597146A)

High Altitude Conversion

To convert the cooktop for elevations above 6,560 ft (1999.5 m), order a High Altitude Conversion Kit.

For models KCGS550ESS, KCGS556ESS, KCGS950ESS and KCGS956ESS use the following parts:

- Part Number W10679116 - LP high altitude
- Part Number W10679118 - Natural gas high altitude

For all other models use the following parts:

- Part Number W10679114 - LP high altitude
- Part Number W10679113 - Natural gas high altitude

To order, see the "Assistance or Service" section of the User Guide.

IMPORTANT: Gas conversions from Natural gas to LP gas must be done by a qualified installer. Before proceeding with conversion, shut off the gas supply to the cooktop prior to disconnecting the electrical power.

WARNING

This conversion kit shall be installed by a qualified service agency in accordance with the manufacturer's instructions and all applicable codes and requirements of the authority having jurisdiction. If the information in these instructions is not followed exactly, a fire, explosion or production of carbon monoxide may result causing property damage, personal injury or loss of life. The qualified service agency is responsible for the proper installation of this kit. The installation is not proper and complete until the operation of the converted appliance is checked as specified in the manufacturer's instructions supplied with this kit.

WARNING



Explosion Hazard

Use a new CSA International approved gas supply line.

Install a shut-off valve.

Securely tighten all gas connections.

If connected to LP, have a qualified person make sure gas pressure does not exceed 14" (36 cm) water column.

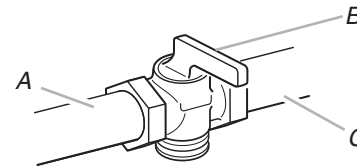
Examples of a qualified person include:

licensed heating personnel,
authorized gas company personnel, and
authorized service personnel.

Failure to do so can result in death, explosion, or fire.

Convert from Natural Gas to LP Gas

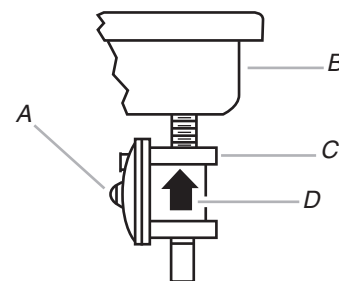
1. Turn manual shutoff valve to the closed position.



- A. To cooktop
- B. Shutoff valve (closed position)
- C. Gas supply line

2. Unplug cooktop or disconnect power.

To Convert Gas Pressure Regulator



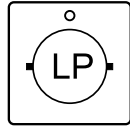
- A. Access cap
- B. Rear of cooktop
- C. Gas pressure regulator
- D. Gas flow

3. Determine the type of regulator you have:

Style 1: The cap has a slot and "NAT" printed on it.

Remove access cap by using a flat-blade screwdriver or coin, turning the access cap counterclockwise.

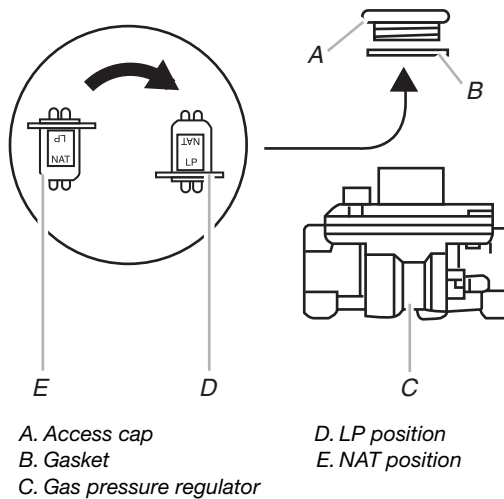
The gas pressure regulator has 2 settings that are stamped on either side of the cap. Turn the cap and reinstall into regulator with the stamp "LP" visible from the outside of the regulator.



Style 2: The cap does not have a slot and requires a wrench to be removed.

Remove the access cap by using a wrench, turning the access cap counterclockwise.

Remove spring retainer from the cap by pushing against the flat side of the spring retainer. Look at the spring retainer to locate the "NAT" or "LP" position. Turn over the spring retainer so the "LP" is showing on the bottom. Snap the spring retainer back into the cap. Reinstall the cap onto the regulator.



4. Test the gas pressure regulator and gas supply line.

The regulator must be checked at a minimum 1" (2.5 cm) water column above the set pressure. The inlet pressure to the regulator should be as follows for operation and checking the regulator setting:

LP Gas:

Minimum pressure 10" (25.4 cm) W.C.P.
Supply pressure 14" (35.5 cm) W.C.P.

Gas Supply Pressure Testing

Line pressure testing above ½ psi gauge (14" WCP)

The cooktop and its individual shutoff valve must be disconnected from the gas supply piping system during any pressure testing of that system at test pressures in excess of ½ psi (3.5 kPa).

Line pressure testing at ½ psi gauge (14" WCP) or lower

The cooktop must be isolated from the gas supply piping system by closing its individual manual shutoff valve during any pressure testing of the gas supply piping system at test pressures equal to or less than ½ psi (3.5 kPa).

5. If the burner grates are installed, remove them.

Use the following charts to match the correct gas orifice spud with the burner location and model being converted.

LP Gas Orifice Spud Chart for Kit W10676661

Burner Rating	Color	Stamp (A)	Size
5,000 BTU	Green	66	0.66 mm
7,000 BTU	White	75	0.75 mm
8,000 BTU	Orange	79	0.79 mm
11,000 BTU	Red	97	0.97 mm
13,000 BTU	Yellow	108	1.08 mm
16,000 BTU	Pink	115	1.15 mm
12,000 BTU Inner	Brown	85	0.85 mm
Outer	Brown	48	0.48 mm

A. Size stamp

Burner Models for Kit W10676661

Model No.	Left Front	Left Rear	Center Inner	Center Outer	Right Rear	Right Front
WCG51US0D	66	108	N/A	N/A	97	75
MGC7430D	Green	Yellow			Red	White
ICS500DS00						
WCG75US0D	66	115	N/A	N/A	97	75
MGC9530D	Green	Pink			Red	White
WCG97US0D	75	79	85	48	66	75
KCGS350E	White	Orange	Brown	Brown	Green	White
ICS655DS00						
WCG51US6D	75	75	108	N/A	66	97
MGC7536D	White	White	Yellow		Green	Red
WCG97US6D	75	75	85	48	66	97
MGC9536D	White	White	Brown	Brown	Green	Red
KCGS356E						

LP Gas Orifice Spud Chart for Kit W10676662

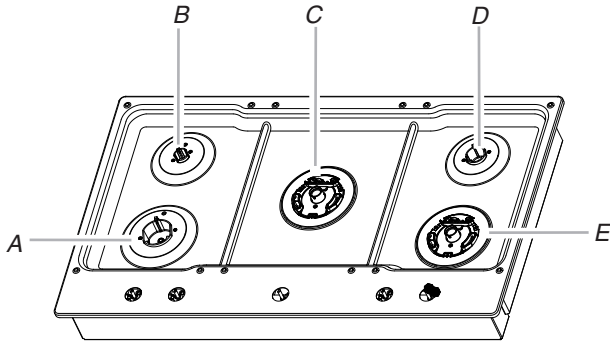
Burner Rating	Color	Stamp (A)	Size
5,000 BTU	White	66	0.66 mm
6,000 BTU	Green	70	0.70 mm
9,100 BTU	Black	89	0.89 mm
11,000 BTU	Orange	97	0.97 mm
13,000 BTU Inner	Blue	45	0.45 mm
Outer	Brown	97	0.97 mm
14,000 BTU Inner	Blue	45	0.45 mm
Outer	Yellow	101	1.01 mm
16,000 BTU Inner	Blue	45	0.45 mm
Outer	Red	105	1.05 mm
9,000 BTU Inner	Pink	40	0.40 mm
Outer	Pink	80	0.80 mm

A. Size stamp

Burner Models for Kit W1067662

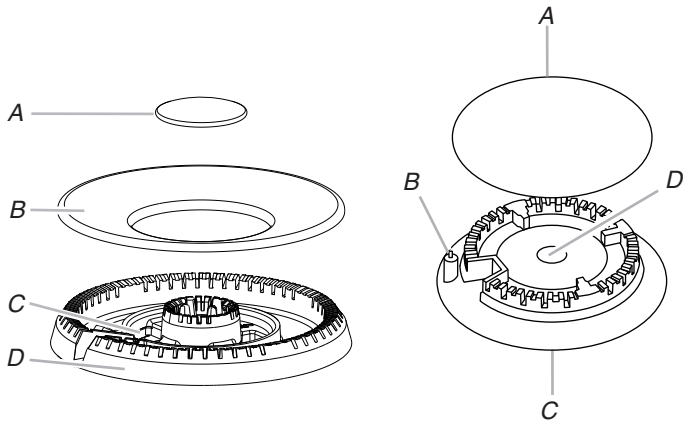
Model No.	Left Front	Left Rear	Center Inner	Center Outer	Right Rear	Right Front Inner	Right Front Outer
KCGS550E	89 Black	66 White	45 Blue	97 Brown	70 Green	89 Black	N/A
KCGS556E	89 Black	66 white	45 Blue	101 Yellow	70 Green	89 Black	N/A
KCGS950ES	89 Black	66 White	45 Blue	97 Brown	70 Green	40 Pink	80 Pink
KCGS956ES	97 Orange	66 White	45 Blue	105 Red	70 Green	40 Pink	80 Pink

Burner locations



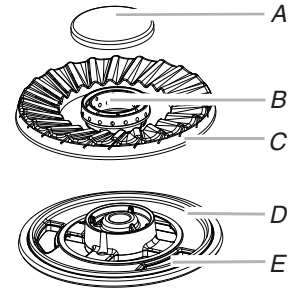
A. Left front
B. Left rear
C. Center
D. Right rear
E. Right front

6. Remove all burner caps and burner bases (see the User Guide for burner reference).
To remove the burner base for the Dual Flame and Dual Tier Ultra Torch burners use a Torx® T10 driver to remove the screw.



Dual Tier Ultra Burner
A. Inner burner cap
B. Outer burner cap
C. Gas tube opening
D. Burner base

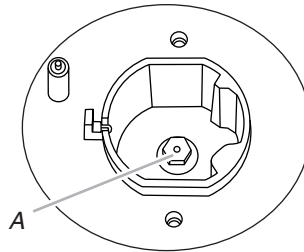
Standard and Dual Flame
A. Burner cap
B. Igniter electrode
C. Burner base
D. Gas tube opening



Torch Burner
A. Inner burner cap
B. Inner burner base
C. Outer burner base
D. Burner support
E. Gas tube opening

7. To Convert Standard Burner:

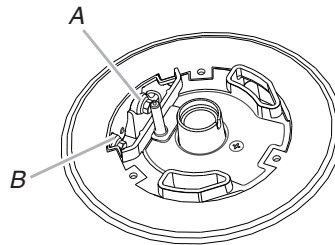
- Use 7.0 mm wrench to loosen and remove the orifice spud (A).
- Set gas orifice spud aside.
- Replace with correct LP gas orifice spud. See LP gas orifice spud charts.



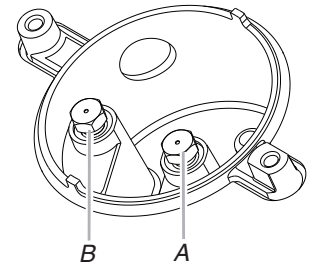
A. Orifice spud

8. To Convert Dual Tier Ultra and Dual Flame Burners:

- Use 7.0 mm wrench to loosen and remove the inner orifice spud (A) and the outer orifice spud (B).
- Set gas orifice spuds aside.
- Replace with correct LP gas orifice spuds. See the LP gas orifice spud charts.



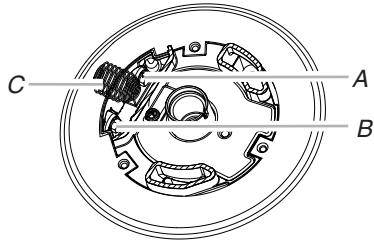
Dual Tier Ultra Burner
A. Inner orifice spud
B. Outer orifice spud



Dual Flame Burners
A. Inner orifice spud
B. Outer orifice spud

9. To Convert Torch Burner

- Remove the spring that is shown in the following illustration (C).
- Use 7.0 mm wrench to loosen and remove the inner orifice spud (A) and the outer orifice spud (B).
- Set gas orifice spuds aside.
- Replace with correct LP gas orifice spud. See the LP gas orifice spud charts.
- Return the spring to its original location.



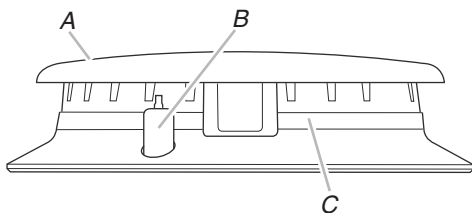
A. Inner orifice spud
B. Outer orifice spud
C. Spring

IMPORTANT: Place Natural gas orifice spuds in plastic parts bag for future use and keep with package containing literature.

10. Replace sheet of insulation.

11. Replace burner bases and burner caps.

The igniter electrode is ceramic and could break during conversion. Be sure that the electrode comes through the hole in the burner smoothly while you are replacing the burner base.



A. Burner cap
B. Electrode
C. Burner base

12. Open shutoff valve in the gas supply line. The valve is open when the handle is parallel to the gas pipe.

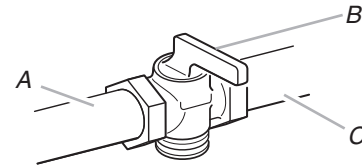
13. Plug in cooktop or reconnect power.

REMEMBER: Once you have completed converting all of the cooktop burners, test the cooktop for leaks by brushing on an approved noncorrosive leak-detection solution. If bubbles appear, a leak is indicated. Correct any leaks found.

14. To adjust single and dual valves, see the "Flame Height Adjustment" section.

Convert from LP Gas to Natural Gas

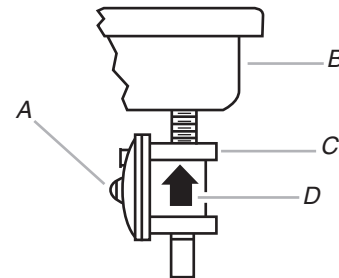
1. Turn manual shutoff valve to the closed position.



A. To cooktop
B. Shutoff valve (closed position)
C. Gas supply line

2. Unplug cooktop or disconnect power.

To Convert Gas Pressure Regulator



A. Access cap
B. Rear of cooktop
C. Gas pressure regulator
D. Gas flow

3. Determine the type of regulator you have:

Style 1: The cap has a slot and "LP" printed on it.

Remove access cap by using a flat-blade screwdriver or coin, turning the access cap counterclockwise.

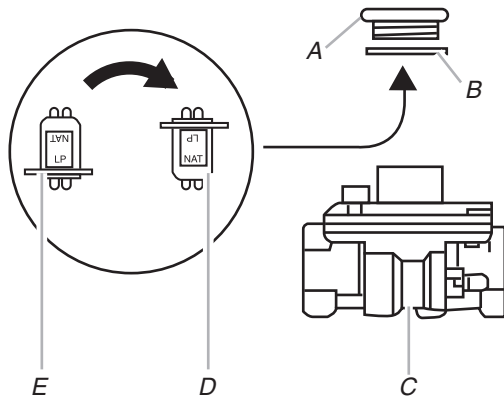
The gas pressure regulator has 2 settings that are stamped on either side of the cap. Turn the cap and reinstall into regulator with the stamp "NAT" visible from the outside of the regulator.



Style 2: The cap does not have a slot and requires a wrench to be removed.

Remove the access cap by using a wrench, turning the access cap counterclockwise.

Remove spring retainer from the cap by pushing against the flat side of the spring retainer. Look at the spring retainer to locate the “NAT” or “LP” position. Turn over the spring retainer so the “NAT” is showing on the bottom. Snap the spring retainer back into the cap. Reinstall the cap onto the regulator.



A. Access cap
B. Gasket
C. Gas pressure regulator
D. NAT position
E. LP position

4. If the burner grates are installed, remove them.

Use the following charts to match the correct gas orifice spud with the burner location and model being converted.

Natural Gas Orifice Spud Chart for Kit W10676661

Burner Rating	Color	Stamp (A)	Size
5,000 BTU	Green	95	0.95 mm
9,100 BTU	White or no color	130	1.30 mm
10,000 BTU	Orange	135	1.35 mm
12,00 BTU	Red or Blue	150	1.50 mm
15,000 BTU	Yellow	175	1.75 mm
18,00 BTU	Pink	189	1.89 mm
17,000 BTU Inner	Red	175	1.75 mm
Outer	Red	57	0.57 mm
18,00 BTU Inner	Brown	180	1.80 mm
Outer	Brown	57	0.57 mm
19,000 BTU Inner	White	185	1.85 mm
Outer	White	57	0.57 mm

A. Size stamp

Burner Models for Kit W10676661

Model No.	Left Front	Left Rear	Center Inner	Center Outer	Right Rear	Right Front Inner	Right Front Outer
WCG51US0D	95	175	N/A	N/A	150	130	130
MGC7430D	Green	Yellow			Red	White	White
ICS500DS00							
WCG75US0D	95	189	N/A	N/A	150	130	130
MGC9530D	Green	Pink			Red	White	White
WCG97US09	130	135	175	175	95	130	130
KCGS350E	No color	Orange	Red	Red	Green	No color	No color
ICS655DS00							
WCG51US6D	130	130	175	175	95	150	150
MGC7536D	White	White	Yellow	Yellow	Green	Red	Red
WCG97US6D	130	130	180	57	95	150	150
MGC9536D	No color	No color	Brown	Brown	Green	Blue	Blue
KCGS356E	130	130	185	57	95	150	150
	No color	No color	White	White	Green	Blue	Blue

Natural Gas Orifice Spud Chart for Kit W10676662

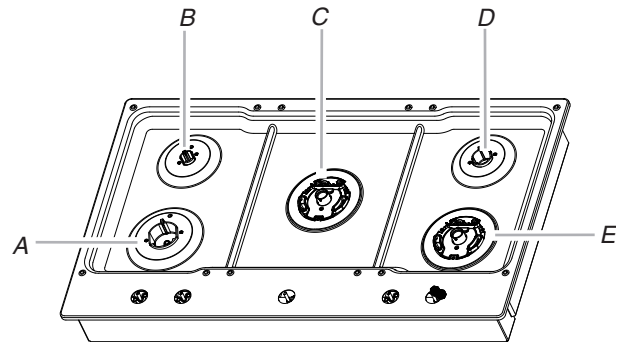
Burner Rating	Color	Stamp (A)	Size
6,000 BTU	Red	105	1.05 mm
7,000 BTU	Black	115	1.15 mm
10,000 BTU	White	140	1.40 mm
12,00 BTU	Brown	150	1.50 mm
17,000 BTU Inner	Blue	91	0.91 mm
Other	Green	160	1.60 mm
18,000 Inner	Blue	91	0.91 mm
Outer	Blue	165	1.65 mm
20,000 BTU Inner	Blue	91	0.91 mm
Outer	Light Blue	180	1.80 mm
10,000 BTU Inner	Pink	66	0.66 mm
Outer	Pink	123	1.23 mm

A. Size stamp

Burner Models for Kit W10676662

Model No.	Left Front	Left Rear	Center Inner	Center Outer	Right Rear	Right Front Inner	Right Front Outer
KCGS550E	140 White	105 Red	91 Blue	160 Green	115 Black	140 White	N/A
KCGS556E	140 White	105 Red	91 Blue	180 Light Blue	115 Black	140 white	N/A
KCGS950ES	140 White	105 Red	91 Blue	160 Green	115 Black	66 Pink	123 Pink
KCGS956ES	150 Brown	105 Red	91 Blue	180 Light Blue	115 Black	66 Pink	123 Pink

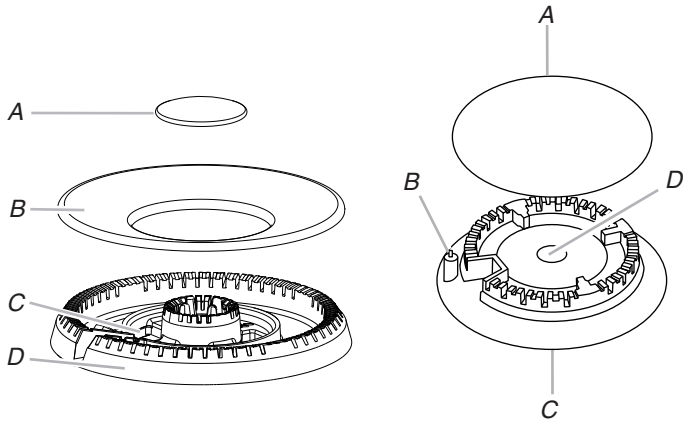
Burner locations



A. Left front
B. Left rear
C. Center
D. Right rear
E. Right front

5. Remove all burner caps and burner bases (see the User Guide for burner reference).

To remove the burner base for the Dual Flame and Dual Tier Ultra Torch burners use a Torx® T10 driver to remove the screw.

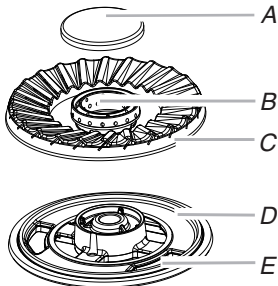


Dual Tier Ultra Burner

- A. Inner burner cap
- B. Outer burner cap
- C. Gas tube opening
- D. Burner base

Standard and Dual Flame

- A. Burner cap
- B. Igniter electrode
- C. Burner base
- D. Gas tube opening

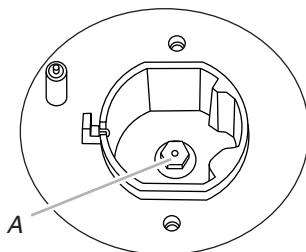


Torch Burner

- A. Inner burner cap
- B. Inner burner base
- C. Outer burner base
- D. Burner support
- E. Gas tube opening

6. To Convert Standard Burner:

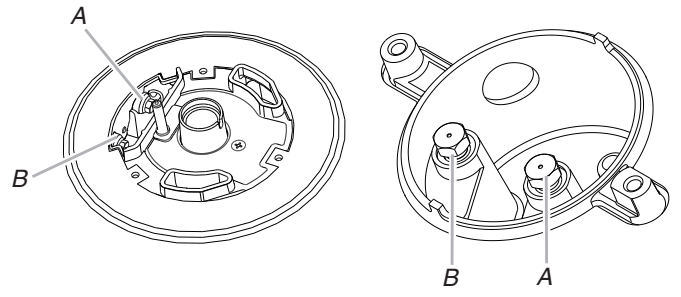
- Use 7.0 mm wrench to loosen and remove the orifice spud (A).
- Set gas orifice spud aside.
- Replace with correct Natural gas orifice spud. See Natural gas orifice spud charts.



A. Orifice spud

7. To Convert Dual Tier Ultra and Dual Flame Burners:

- Use 7.0 mm wrench to loosen and remove the inner orifice spud (A) and the outer orifice spud (B).
- Set gas orifice spuds aside.
- Replace with correct Natural gas orifice spuds. See the Natural gas orifice spud charts.



Dual Tier Ultra Burner

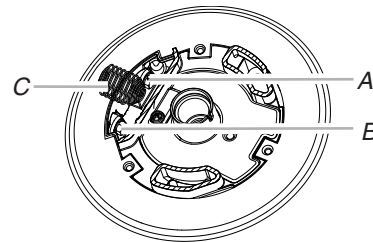
- A. Inner orifice spud
- B. Outer orifice spud

Dual Flame Burners

- A. Inner orifice spud
- B. Outer orifice spud

8. To Convert Torch Burner

- Remove the spring that is shown in the following illustration (C).
- Use 7.0 mm wrench to loosen and remove the inner orifice spud (A) and the outer orifice spud (B).
- Set gas orifice spuds aside.
- Replace with correct Natural gas orifice spud. See the Natural gas orifice spud charts.
- Return the spring to its original location.



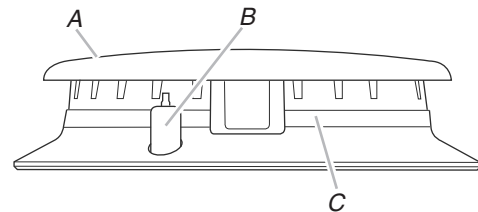
A. Inner orifice spud
B. Outer orifice spud
C. Spring

IMPORTANT: Place Natural gas orifice spuds in plastic parts bag for future use and keep with package containing literature.

9. Replace sheet of insulation.

10. Replace burner bases and burner caps.

The igniter electrode is ceramic and could break during conversion. Be sure that the electrode comes through the hole in the burner smoothly while you are replacing the burner base.



A. Burner cap
B. Electrode
C. Burner base

11. Open shutoff valve in the gas supply line. The valve is open when the handle is parallel to the gas pipe.

12. Plug in cooktop or reconnect power.

REMEMBER: Once you have completed converting all of the cooktop burners, test the cooktop for leaks by brushing on an approved noncorrosive leak-detection solution. If bubbles appear, a leak is indicated. Correct any leaks found.

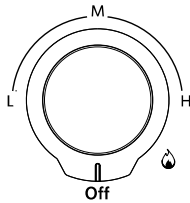
13. To adjust single and dual valves, see the "Flame Height Adjustment" section.

Lighting the Electronic Igniters

The cooktop burners use electronic igniters in place of standing pilots. When the cooktop control knob is pushed in, the system creates a spark to light the burner. This sparking continues until the control knob is turned to the desired setting.

To Check Operation of the Cooktop Burners:

1. Push in and turn knobs to the ignition position (see the User Guide for additional information). The cooktop burner flame should light within 4 seconds. The first time a burner is lit, it may take longer than 4 seconds to light because of air in the gas line. Do not leave the knob in the ignition position after the burner lights.



2. If burners do not light properly, turn the control knob to the Off position. Make sure the burner caps are in the proper position.
3. Check that the power supply cord is plugged in. Check that the circuit breaker has not tripped or the household fuse has not blown.
4. Check that the shutoff valve is in the open position.
5. Check burner operation again.

If one or all of the burners do not light at this point, see "Assistance or Service" section in the User Guide.

Flame Height Adjustment

Each burner flame has been factory set to the lowest position available to provide reliable and constant reignition of the burner. However, each burner can be adjusted.

NOTE: If your model number begins with KGCS5 or KGCS9, call service, as this operation will require opening the unit.

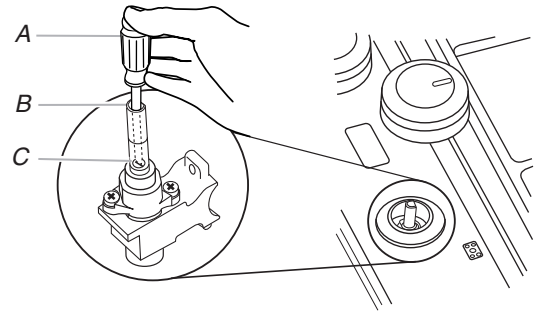
To Adjust:

The flame can be adjusted using the adjustment screws underneath the control knob.

NOTE: Check the Use and Care Guide for information on each burner to determine whether they are single or dual flame. Adjust the valves accordingly.

Adjustment for Single Valve

1. Set the burner flame to LO.
2. Remove the control knob.
3. Hold knob stem with a pair of pliers. Use a $\frac{3}{32}$ " (#0 [2.0 mm]) flat-blade screwdriver to turn the screw located within the shaft of the control knob stem until the flame is the proper size.



A. $\frac{3}{32}$ " (#0 [2.0 mm]) flat-blade screwdriver (screwdriver shaft must be a minimum of 2" [5.1 cm] long)

B. Control knob stem opening

C. Adjustment screw location

4. For LP gas conversion:

Completely tighten screw "C" to set the minimum flame height.

For Natural gas conversion:

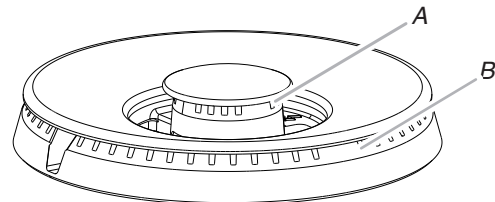
Tighten screw "C" to reduce flame height. Loosen screw to increase flame height. See "Complete Burner Adjustment" section.

5. Replace the control knob.
6. Test the flame by turning the control from LO to HI, checking the flame at each setting.

Adjustment for Dual Valve

To Adjust Inner Crown Flame:

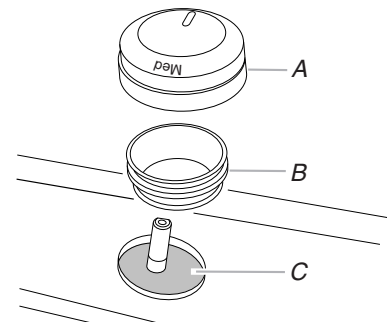
1. Set the inner crown flame to LO.



A. Inner crown

B. Outer crown

2. Remove the control knob.
3. Remove the black rubber grommet.
4. Using needle-nose pliers, remove the gray shield inside the burner valve opening.



A. Control knob

B. Black rubber grommet

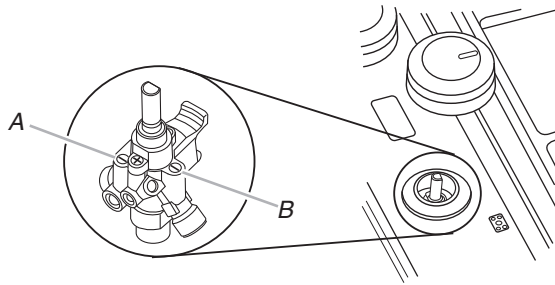
C. Gray shield

5. For LP gas conversion:

Completely tighten screw "A" to set the minimum flame height.

For Natural gas conversion:

Tighten screw "A" to reduce flame height. Loosen screw to increase flame height. See "Complete Burner Adjustment" section.



A. Inner crown adjustment screw
B. Outer crown adjustment screw

6. Replace the control knob.

To Adjust Outer Crown Flame:

1. Set the outer crown flame to LO.

2. Remove the control knob.

3. For LP gas conversion:

Completely tighten screw "B" to set the minimum flame height.

For Natural gas conversion:

Tighten screw "B" to reduce flame height. Loosen screw to increase flame height. See "Complete Burner Adjustment" section.

4. Replace the gray shield. Use a screwdriver to help push the shield into place.

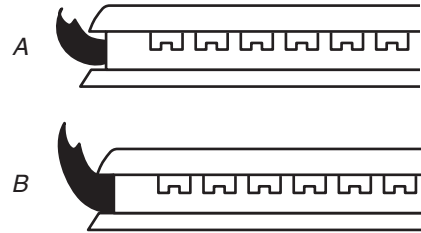
5. Replace the black rubber grommet.

6. Replace the control knob.

7. Test the flame by turning the control from LO to HI, checking the flame at each setting.

Complete Burner Adjustment

1. Check burner flame(s) for a proper size and shape. The cooktop low burner flame should be a steady blue flame approximately 1/4" (0.64 cm) high.



A. Low flame
B. High flame

2. Completely fill out the conversion label and attach label to bottom of the cooktop next to the rating tag. Do not cover the rating tag with the conversion label.

IMPORTANT: Place gas orifice spuds in plastic parts bag for future use and keep with package containing literature.

Read "Sealed Surface Burners" section in the Use and Care Guide supplied with your cooktop.

SÉCURITÉ DE LA TABLE DE CUISSON

Votre sécurité et celle des autres est très importante.

Nous donnons de nombreux messages de sécurité importants dans ce manuel et sur votre appareil ménager. Assurez-vous de toujours lire tous les messages de sécurité et de vous y conformer.



Voici le symbole d'alerte de sécurité.

Ce symbole d'alerte de sécurité vous signale les dangers potentiels de décès et de blessures graves à vous et à d'autres.

Tous les messages de sécurité suivront le symbole d'alerte de sécurité et le mot "DANGER" ou "AVERTISSEMENT". Ces mots signifient :

⚠ DANGER

Risque possible de décès ou de blessure grave si vous ne suivez pas immédiatement les instructions.

⚠ AVERTISSEMENT

Risque possible de décès ou de blessure grave si vous ne suivez pas les instructions.

Tous les messages de sécurité vous diront quel est le danger potentiel et vous disent comment réduire le risque de blessure et ce qui peut se produire en cas de non-respect des instructions.

AVERTISSEMENT : Si les renseignements dans ce manuel ne sont pas exactement observés, un incendie ou une explosion peut survenir, causant des dommages au produit, des blessures ou un décès.

- **Ne pas entreposer ni utiliser de l'essence ou d'autres vapeurs ou liquides inflammables à proximité de cet appareil ou de tout autre appareil électroménager.**
- **QUE FAIRE DANS LE CAS D'UNE ODEUR DE GAZ :**
 - **Ne pas tenter d'allumer un appareil.**
 - **Ne pas toucher à un commutateur électrique.**
 - **Ne pas utiliser le téléphone se trouvant sur les lieux.**
 - **Appeler immédiatement le fournisseur de gaz à partir du téléphone d'un voisin. Suivre ses instructions.**
 - **À défaut de joindre votre fournisseur de gaz, appeler les pompiers.**
- **L'installation et l'entretien doivent être effectués par un installateur qualifié, une agence de service ou le fournisseur de gaz.**

AVERTISSEMENT : L'odorat ne permet pas toujours la détection d'une fuite de gaz.

Les distributeurs de gaz recommandent l'emploi d'un détecteur de gaz (homologation UL ou CSA).

Pour d'autre information, contacter le fournisseur de gaz local.

En cas de détection d'une fuite de gaz, exécuter les instructions "Que faire dans le cas d'une odeur de gaz".

Dans l'État du Massachusetts, les instructions d'installation suivantes sont applicables :

- Les travaux d'installation et réparation doivent être exécutés par un plombier ou tuyauteur qualifié ou licencié, ou par le personnel qualifié d'une entreprise licenciée par l'État du Massachusetts.
- Si une vanne à boisseau sphérique est utilisée, elle doit comporter une manette "T".
- Si un conduit de raccordement flexible est utilisé, sa longueur ne doit pas dépasser 3 pi.

Outillage et pièces

Rassembler les outils et composants nécessaires pour l'exécution correcte de la conversion pour l'alimentation au gaz propane.

Outillage nécessaire

- Tournevis à lame plate
- Tournevis à lame plate de $\frac{3}{32}$ " (#0 [2,0 mm]) (la longueur de la tige du tournevis doit être d'au moins 2" [5,1 cm])
- Clé à molette
- Tourne-écrou de 7 mm
- Clé de 7 mm
- Adaptador Torx[†] T10

Pièces nécessaires

Pour les modèles KCGS550ESS, KCGS556ESS, KCGS950ESS et KCGS956ESS, utiliser les pièces suivantes :

- Ensemble de gicleurs pour gaz propane (W10676662)
- Instructions pour la conversion (W10597146A)

Pour les autres modèles, utiliser les pièces suivantes :

- Ensemble de gicleurs pour gaz propane (W10676661)
- Instructions pour la conversion (W10597146A)

Conversion pour altitude élevée

Pour convertir la table de cuisson pour l'utilisation à une altitude supérieure à 6 560 pi (1999,5 m), commander un ensemble de conversion pour altitude élevée.

Pour les modèles KCGS550ESS, KCGS556ESS, KCGS950ESS et KCGS956ESS, utiliser les pièces suivantes :

- Produit numéro W10679116 - altitude élevée - propane
- Produit numéro W10679116 - altitude élevée - gaz naturel

Pour les autres modèles, utiliser les pièces suivantes :

- Produit numéro W10679114 - altitude élevée - propane
- Produit numéro W10679113 - altitude élevée - gaz naturel

Pour la commande, voir la section "Assistance ou service" dans le Guide d'utilisation et d'entretien.

IMPORTANT : L'opération de conversion de l'appareil pour l'alimentation au gaz propane au lieu de gaz naturel doit être exécutée par un installateur qualifié. Avant d'entreprendre la conversion, fermer l'arrivée de gaz avant d'interrompre l'alimentation électrique de l'appareil.

AVERTISSEMENT

Cet ensemble de conversion doit être installé par le personnel qualifié d'une agence de service en conformité avec les instructions du fabricant et les prescriptions de tous les codes en vigueur et des autorités juridictionnelles. Si les présentes instructions ne sont pas rigoureusement respectées, ceci peut provoquer un incendie, une explosion ou la génération de monoxyde de carbone provoquant des dommages corporels ou matériels, ou même la mort. La responsabilité de l'installation correcte de cet ensemble de conversion incombe au personnel qualifié d'une agence de service. L'installation n'est pas correcte et complète avant que le bon fonctionnement de l'appareil converti ait été vérifié sur la base des spécifications présentées dans les instructions du fabricant fournies avec cet ensemble de pièces.

⚠ AVERTISSEMENT



Risque d'explosion

Utiliser une canalisation neuve d'arrivée de gaz approuvée par la CSA International.

Installer un robinet d'arrêt.

Bien serrer chaque organe de connexion de la canalisation de gaz.

En cas de connexion au gaz propane, demander à une personne qualifiée de s'assurer que la pression de gaz ne dépasse pas 36 cm (14 po) de la colonne d'eau.

Par personne qualifiée, on comprend :

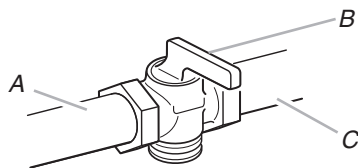
le personnel autorisé de chauffage,
le personnel autorisé d'une compagnie de gaz, et
le personnel d'entretien autorisé.

Le non-respect de ces instructions peut causer un décès, une explosion ou un incendie.

[†]®TORX est une marque déposée de Acument Intellectual Properties, LLC.

Conversion de gaz naturel à propane

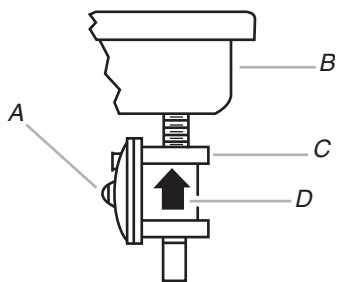
1. Fermer le robinet d'arrêt manuel.



A. Vers table de cuisson
B. Robinet d'arrêt (position de fermeture)
C. Canalisation de gaz

2. Débrancher la table de cuisson ou déconnecter la source de courant électrique.

Conversion du détendeur



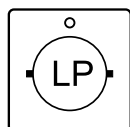
A. Chapeau de l'ouverture d'accès
B. Arrière de la table de cuisson
C. Détendeur
D. Sens de circulation du gaz

3. Déterminer le type du détendeur :

Style 1 : Le chapeau comporte une rainure et la mention "NAT".

Utiliser un tournevis à lame plate ou une pièce de monnaie pour dévisser le chapeau de l'ouverture d'accès; faire tourner le chapeau dans le sens antihoraire.

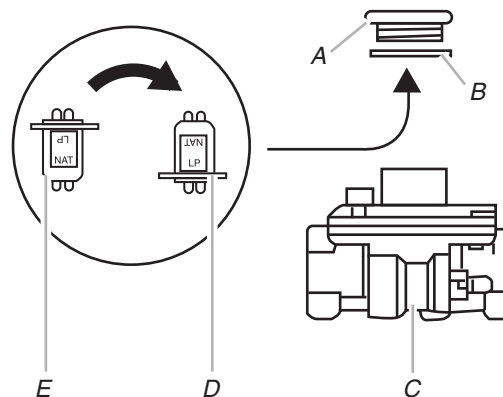
Deux positions sont possibles pour le détendeur; l'information correspondante est gravée de chaque côté du chapeau. Orienter le chapeau correctement, et réinstaller le chapeau sur le détendeur; la mention "LP" doit être visible depuis l'extérieur du détendeur.



Style 2 : Le chapeau ne comporte pas de rainure; on doit utiliser une clé pour la dépose.

Utiliser une clé pour enlever le chapeau de l'ouverture d'accès; faire tourner le chapeau dans le sens antihoraire.

Ôter le ressort de retenue qui se trouve sous le chapeau - pousser contre le côté plat du ressort de retenue. Examiner le ressort de retenue pour identifier la position "NAT" ou "LP". Orienter correctement le ressort de retenue pour que la mention "LP" soit au fond. Réinstaller le ressort de retenue dans le chapeau. Réinstaller le chapeau sur le détendeur.



A. Chapeau de l'ouverture d'accès
B. Joint d'étanchéité
C. Détendeur
D. Position LP
E. Position NAT

4. Tester le détendeur et la canalisation de gaz.

On doit tester le détendeur sous une pression supérieure d'au moins 1" (2,5 cm) (colonne d'eau) à la pression de réglage. Pour le fonctionnement et le contrôle du réglage du détendeur, il faut que la pression d'admission au détendeur corresponde aux indications ci-dessous :

Gaz propane :

Pression minimum 10" (25,4 cm) (colonne d'eau)
Pression de service 14" (35,5 cm) (colonne d'eau)

Test de pressurisation de la canalisation de gaz

Pressurisation à une pression supérieure à ½ lb/po² (14" - colonne d'eau)

Lors de tout test de pressurisation de ce système à une pression supérieure à ½ lb/po² (3,5 kPa), on doit déconnecter l'appareil et son robinet d'arrêt individuel de la canalisation de gaz.

Pressurisation à une pression relative de ½ lb/po² (14" - colonne d'eau) ou moins

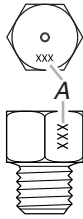
Lors de tout test de pressurisation de la canalisation de gaz à une pression égale ou inférieure à ½ lb/po² (3,5 kPa), on doit isoler l'appareil de la canalisation de gaz en fermant son robinet d'arrêt manuel individuel.

5. Enlever les grilles de brûleur si elles sont installées.

Dans les tableaux qui suivent, choisir le gicleur approprié selon le modèle de l'appareil et l'emplacement du brûleur à convertir.

Tableau des gicleurs pour propane pour ensemble W10676661

Puissance thermique	Couleur	Indication (A)	Taille
5 000 BTU	Vert	66	0,66 mm
7 000 BTU	Blanc	75	0,75 mm
8 000 BTU	Orange	79	0,79 mm
11 000 BTU	Rouge	97	0,97 mm
13 000 BTU	Jaune	108	1,08 mm
16 000 BTU	Rose	115	1,15 mm
12 000 BTU Intérieur	Marron	85	0,85 mm
Extérieur	Marron	48	0,48 mm



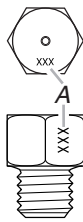
A. Indication de la taille

Modèle de brûleur pour ensemble W10676661

Modèle n°	Avant gauche	Arrière gauche	Centre intérieur	Centre extérieur	Arrière droit	Avant droit
WCG51US0D MGC7430D ICS500DS00	66 Vert	108 Jaune	N/A	N/A	97 Rouge	75 Blanc
WCG75US0D MGC9530D	66 Vert	115 Rose	N/A	N/A	97 Rouge	75 Blanc
WCG97US0D KCGS350E ICS655DS00	75 Blanc	79 Orange	85 Marron	48 Marron	66 Vert	75 Blanc
WCG51US6D MGC7536D	75 Blanc	75 Blanc	108 Jaune	N/A	66 Vert	97 Rouge
WCG97US6D MGC9536D KCGS356E	75 Blanc	75 Blanc	85 Marron	48 Marron	66 Vert	97 Rouge

Tableau des gicleurs pour propane pour ensemble W10676662

Puissance thermique	Couleur	Indication (A)	Taille
5 000 BTU	Blanc	66	0,66 mm
6 000 BTU	Vert	70	0,70 mm
9 100 BTU	Noir	89	0,89 mm
11 000 BTU	Orange	97	0,97 mm
13 000 BTU Intérieur	Bleu	45	0,45 mm
Extérieur	Marron	97	0,97 mm
14 000 BTU Intérieur	Bleu	45	0,45 mm
Extérieur	Jaune	101	1,01 mm
16 000 BTU Intérieur	Bleu	45	0,45 mm
Extérieur	Rouge	105	1,05 mm
9 000 BTU Intérieur	Rose	40	0,40 mm
Extérieur	Rose	80	0,80 mm

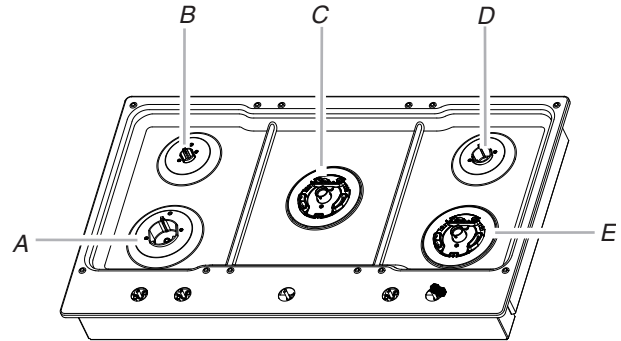


A. Indication de la taille

Modèles de brûleur pour ensemble W10676662

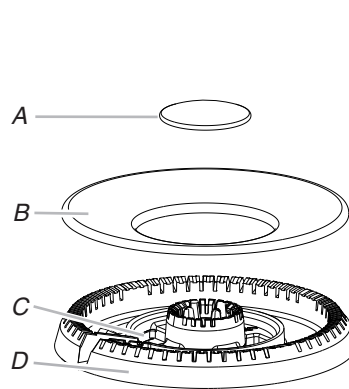
Modèle n°	Avant gauche	Arrière gauche	Centre intérieur	Centre extérieur	Arrière droit	Avant droit intérieur	Avant droit extérieur
KCGS550E	89 Noir	66 Blanc	45 Bleu	97 Marron	70 Vert	89 Noir	N/A
KCGS556E	89 Noir	66 Blanc	45 Bleu	101 Jaune	70 Vert	89 Noir	N/A
KCGS950ES	89 Noir	66 Blanc	45 Bleu	97 Marron	70 Vert	40 Rose	80 Rose
KCGS956ES	97 Orange	66 Blanc	45 Bleu	105 Rouge	70 Vert	40 Rose	80 Rose

Positions des brûleurs



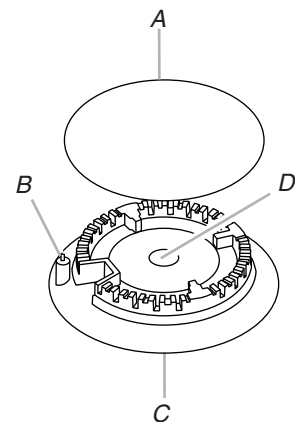
A. Avant gauche
B. Arrière gauche
C. Centre
D. Arrière droit
E. Avant droit

6. Retirer tous les chapeaux et les bases des brûleurs (consulter le Guide d'utilisation pour des informations sur les brûleurs).
Pour retirer la base des brûleurs à double flamme et des brûleurs torches Dual Tier Ultra, utiliser un tournevis Torx® T10 pour retirer la vis.



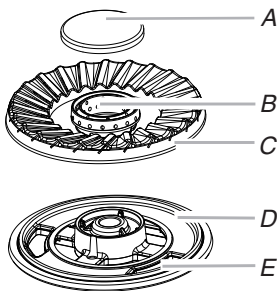
Brûleur Dual Tier Ultra

- A. Chapeau de brûleur interne
B. Chapeau du brûleur externe
C. Ouverture du tuyau de gaz
D. Base du brûleur



Brûleur standard et brûleur à double flamme

- A. Chapeau de brûleur
B. Électrode d'allumeur
C. Base du brûleur
D. Ouverture du tuyau de gaz

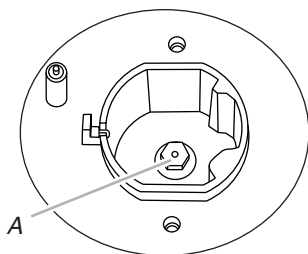


Brûleur torche

- A. Chapeau de brûleur interne
- B. Base de brûleur interne
- C. Base de brûleur externe
- D. Support de brûleur
- E. Ouverture du tube d'arrivée de gaz

7. Conversion d'un brûleur standard :

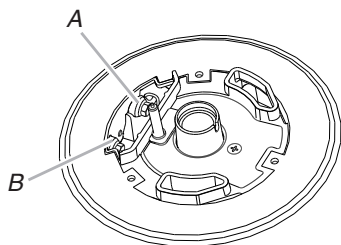
- Utiliser une clé de 7,0 mm pour desserrer et enlever le gicleur (A).
- Conserver le gicleur de gaz.
- Installer le gicleur de gaz correct pour propane. Voir les tableaux de sélection des gicleurs pour gaz propane.



A. Gicleur

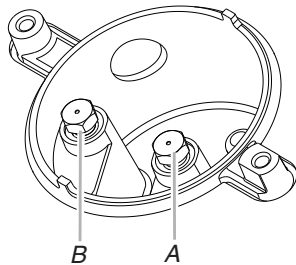
8. Conversion d'un brûleur Dual Tier Ultra et brûleur à double flamme :

- À l'aide d'une clé de 7 mm, desserrer et retirer le gicleur intérieur (A) et le gicleur extérieur (B).
- Conserver le gicleur de gaz.
- Installer le gicleur de gaz correct pour propane. Voir le tableau de sélection des gicleurs pour gaz propane.



Brûleur Dual Tier Ultra

- A. Gicleur intérieur
- B. Gicleur extérieur

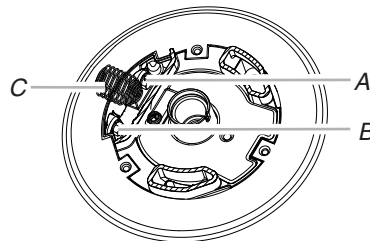


Brûleur à double flamme

- A. Gicleur intérieur
- B. Gicleur extérieur

9. Conversion des brûleurs torche

- Retirer le ressort tel qu'indiqué sur l'illustration suivante (C).
- À l'aide d'une clé de 7 mm, desserrer et retirer le gicleur intérieur (A) et le gicleur extérieur (B).
- Conserver les gicleurs du brûleur à part.
- Remplacer par un gicleur pour gaz propane de taille correcte. Voir le tableau de sélection des gicleurs pour gaz propane.
- Replacer le ressort à sa position initiale.

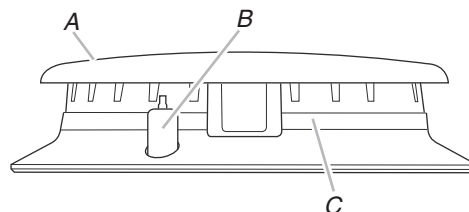


A. Gicleur intérieur
B. Gicleur extérieur
C. Ressort

IMPORTANT : Placer les gicleurs pour gaz naturel dans le sachet plastique de pièces, pour réutilisation ultérieure; conserver le sachet avec le manuel d'utilisation et les autres documents.

- 10. Réinstaller la feuille de matériau isolant.
- 11. Réinstaller les bases et chapeaux de brûleurs.

IMPORTANT : L'électrode d'allumage est un composant en céramique qui pourrait se briser durant le processus de conversion. Lors de la réinstallation de la base du brûleur, veiller à ce que l'électrode puisse glisser librement dans le trou de la tête du brûleur.



A. Chapeau de brûleur
B. Électrode
C. Base du brûleur

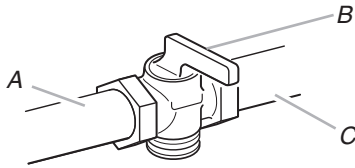
- 12. Ouvrir le robinet d'arrêt de la canalisation de gaz. Le robinet est ouvert lorsque la manette est parallèle à la canalisation.
- 13. Brancher la table de cuisson ou reconnecter la source de courant électrique.

NE PAS OUBLIER : Après avoir exécuté la conversion de chaque brûleur de la table de cuisson, effectuer un test de recherche des fuites : appliquer sur les connexions du circuit de gaz une solution homologuée (non corrosive) de détection des fuites. La formation de bulles indique la présence d'une fuite. Veiller à éliminer toute fuite détectée.

- 14. Régler le robinet simple et le robinet double tel qu'indiqué à la section "Réglage de la taille des flammes".

Conversion de propane à gaz naturel

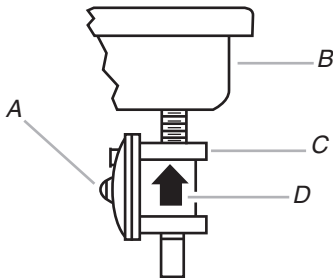
1. Fermer le robinet d'arrêt manuel.



A. Vers table de cuisson
B. Robinet d'arrêt (position de fermeture)
C. Canalisations de gaz

2. Débrancher la table de cuisson ou déconnecter la source de courant électrique.

Conversion du détendeur



A. Chapeau de l'ouverture d'accès
B. Arrière de la table de cuisson
C. Détendeur
D. Sens de circulation du gaz

3. Déterminer le type du détendeur :

Style 1 : Le chapeau comporte une rainure et la mention "LP".

Utiliser un tournevis à lame plate ou une pièce de monnaie pour dévisser le chapeau de l'ouverture d'accès; faire tourner le chapeau dans le sens antihoraire.

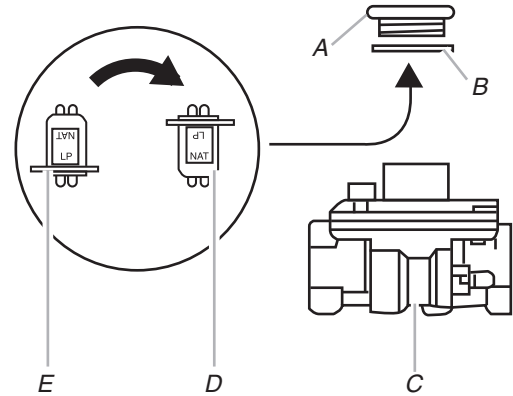
Deux positions sont possibles pour le détendeur; l'information correspondante est gravée de chaque côté du chapeau. Orienter le chapeau correctement, et réinstaller le chapeau sur le détendeur; la mention "NAT" doit être visible depuis l'extérieur du détendeur.



Style 2 : Le chapeau ne comporte pas de rainure; on doit utiliser une clé pour la dépose.

Utiliser une clé pour enlever le chapeau de l'ouverture d'accès; faire tourner le chapeau dans le sens antihoraire.

Ôter le ressort de retenue qui se trouve sous le chapeau en poussant contre le côté plat du ressort de retenue. Examiner le ressort de retenue pour identifier la position "NAT" ou "LP". Orienter correctement le ressort de retenue pour que la mention "NAT" soit au fond. Réinstaller le ressort de retenue dans le chapeau. Réinstaller le chapeau sur le détendeur.



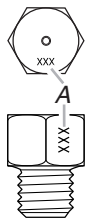
A. Chapeau de l'ouverture d'accès
B. Joint d'étanchéité
C. Détendeur
D. Position NAT
E. Position LP

4. Enlever les grilles de brûleur si elles sont installées.

Dans les tableaux qui suivent, choisir le gicleur approprié selon le modèle de l'appareil et l'emplacement du brûleur à convertir.

Tableau des gicleurs pour gaz naturel pour ensemble W10676661

Puissance thermique	Couleur	Indication (A)	Taille
5 000 BTU	Vert	95	0,95 mm
9 100 BTU	Blanc ou sans couleur	130	1,30 mm
10 000 BTU	Orange	135	1,35 mm
12 000 BTU	Rouge ou bleu	150	1,50 mm
15 000 BTU	Jaune	175	1,75 mm
18 000 BTU	Rose	189	1,89 mm
17 000 BTU	Rouge	175	1,75 mm
Intérieur	Rouge	57	0,57 mm
18 000 BTU	Marron	180	1,80 mm
Intérieur	Marron	57	0,57 mm
19 000 BTU	Blanc	185	1,85 mm
Intérieur	Blanc	57	0,57 mm



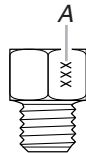
A. Indication de la taille

Modèles de brûleur pour ensemble W1067661

Modèle n°	Avant gauche	Arrière gauche	Centre intérieur	Centre extérieur	Arrière droit	Avant droit intérieur	Avant droit extérieur
WCG51US0D MGC7430D ICS500DS00	95 Vert	175 Jaune	N/A	N/A	150 Rouge	130 Blanc	130 Blanc
WCG75US0D MGC9530D	95 Vert	189 Rose	N/A	N/A	150 Rouge	130 Blanc	130 Blanc
WCG97US09 KCGS350E ICS655DS00	130 Sans couleur	135 Orange	175 Rouge	175 Rouge	95 Vert	130 Sans couleur	130 Sans couleur
WCG51US6D MGC7536D	130 Blanc	130 Blanc	175 Jaune	175 Jaune	95 Vert	150 Rouge	150 Rouge
WCG97US6D MGC9536D	130 Sans couleur	130 Sans couleur	180 Marron	57 Marron	95 Vert	150 Bleu	150 Bleu
KCGS356E	130 Sans couleur	130 Sans couleur	185 Blanc	57 Blanc	95 Vert	150 Bleu	150 Bleu

Tableau des gicleurs pour gaz naturel pour ensemble W1067662

Puissance thermique	Couleur	Indication (A)	Taille
6 000 BTU	Rouge	105	1,05 mm
7 000 BTU	Noir	115	1,15 mm
10 000 BTU	Blanc	140	1,40 mm
12 000 BTU	Brown	150	1,50 mm
17 000 BTU Intérieur Autre	Bleu Vert	91 160	0,91 mm 1,60 mm
18,000 Intérieur Extérieur	Bleu Bleu	91 165	0,91 mm 1,65 mm
20 000 BTU Intérieur Extérieur	Bleu Bleu Clair	91 180	0,91 mm 1,80 mm
10 000 BTU Intérieur Extérieur	Rose Rose	66 123	66 mm 123 mm

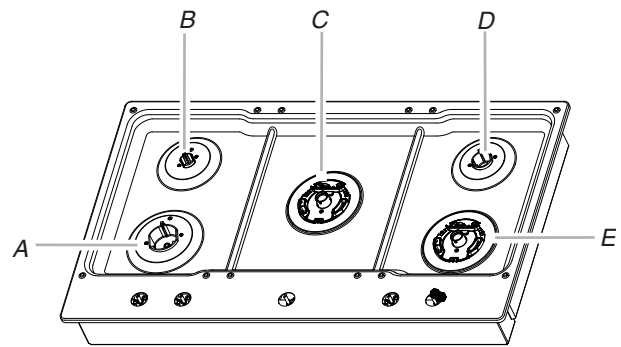


A. Indication de la taille

Modèles de brûleur pour ensemble W1067662

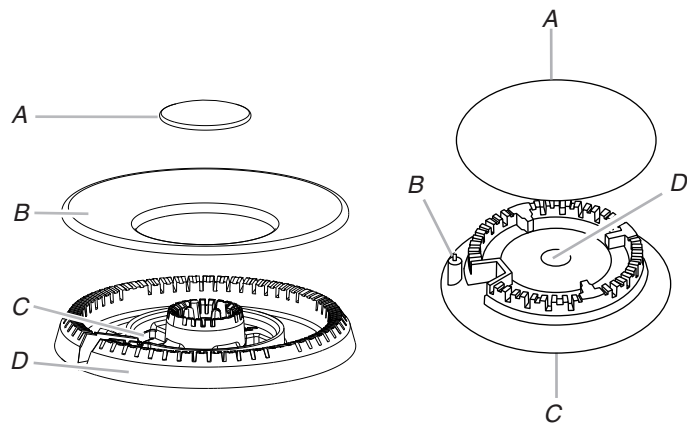
Modèle n°	Avant gauche	Arrière gauche	Centre intérieur	Centre extérieur	Arrière droit	Avant droit intérieur	Avant droit extérieur
KCGS550E	140 Blanc	105 Rouge	91 Bleu	160 Vert	115 Noir	140 Blanc	N/A
KCGS556E	140 Blanc	105 Rouge	91 Bleu	180 Bleu Clair	115 Noir	140 Blanc	N/A
KCGS950ES	140 Blanc	105 Rouge	91 Bleu	160 Vert	115 Noir	66 Rose	123 Rose
KCGS956ES	150 Marron	105 Rouge	91 Bleu	180 Bleu Clair	115 Noir	66 Rose	123 Rose

Positions des brûleurs



A. Avant gauche D. Arrière droit
B. Arrière gauche E. Avant droit
C. Centre

- Retirer tous les chapeaux et les bases des brûleurs (consulter le Guide d'utilisation pour des informations sur les brûleurs). Pour retirer la base des brûleurs à double flamme et des brûleurs torches Dual Tier Ultra, utiliser un tournevis Torx® T10 pour retirer la vis.

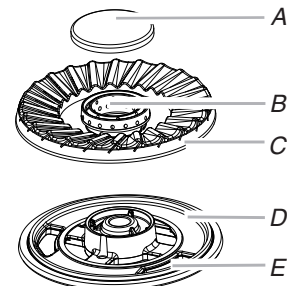


Brûleur Dual Tier Ultra

- A. Chapeau de brûleur interne
B. Chapeau du brûleur externe
C. Ouverture du tuyau de gaz
D. Base du brûleur

Brûleur standard et brûleur double flamme

- A. Chapeau de brûleur
B. Électrode d'allumeur
C. Base du brûleur
D. Ouverture du tuyau de gaz

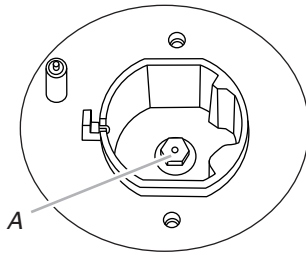


Brûleur torche

- A. Chapeau de brûleur interne
B. Base de brûleur interne
C. Base de brûleur externe
D. Support de brûleur
E. Ouverture du tuyau de gaz

6. Conversion d'un brûleur standard :

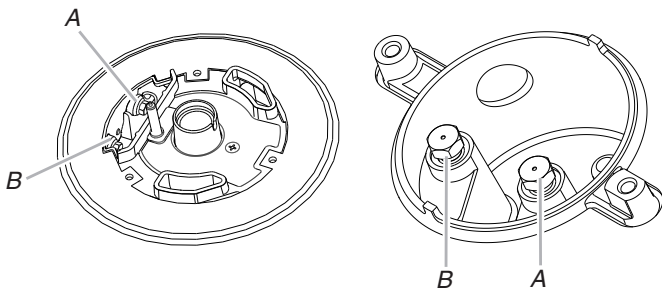
- Utiliser une clé de 7,0 mm pour desserrer et enlever le gicleur (A).
- Conserver le gicleur de gaz.
- Installer le gicleur de gaz correct pour gaz naturel. Voir les tableaux de sélection des gicleurs pour gaz naturel.



A. Gicleur

7. Conversion d'un brûleur Dual Tier Ultra et brûleur à double flamme :

- À l'aide d'une clé de 7 mm, desserrer et retirer le le gicleur intérieur (A) et le gicleur extérieur (B).
- Conserver le gicleur de gaz.
- Remplacer par des gicleurs pour gaz naturel de taille correcte. Voir les tableaux de sélection des gicleurs pour gaz naturel.



Brûleur Dual Tier Ultra

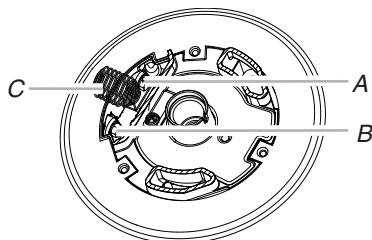
- A. Gicleur intérieur
- B. Gicleur extérieur

Brûleur à double flamme

- A. Gicleur intérieur
- B. Gicleur extérieur

8. Conversion des brûleurs torche

- Retirer le ressort tel qu'indiqué sur l'illustration suivante (C).
- À l'aide d'une clé de 7 mm, desserrer et retirer le gicleur intérieur (A) et le gicleur extérieur (B).
- Conserver les gicleurs.
- Remplacer par un gicleur pour gaz naturel de taille correcte. Voir le tableau de sélection des gicleurs pour gaz naturel.
- Replacer le ressort à sa position initiale.



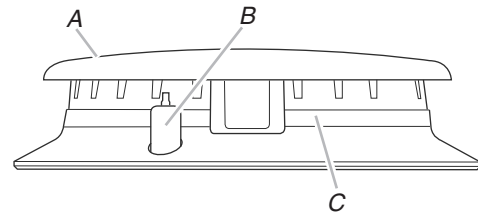
- A. Gicleur intérieur
- B. Gicleur extérieur
- C. Ressort

IMPORTANT : Placer les gicleurs pour gaz naturel dans le sachet plastique de pièces, pour réutilisation ultérieure; conserver le sachet avec le manuel d'utilisation et les autres documents.

9. Réinstaller la feuille de matériau isolant.

10. Réinstaller les bases et chapeaux de brûleurs.

IMPORTANT : L'électrode d'allumage est un composant en céramique qui pourrait se briser durant le processus de conversion. Lors de la réinstallation de la base du brûleur, veiller à ce que l'électrode puisse glisser librement dans le trou de la tête du brûleur.



- A. Chapeau de brûleur
- B. Électrode
- C. Base du brûleur

11. Ouvrir le robinet d'arrêt de la canalisation de gaz. Le robinet est ouvert lorsque la manette est parallèle à la canalisation.

12. Brancher la table de cuisson ou reconnecter la source de courant électrique.

NE PAS OUBLIER : Après avoir exécuté la conversion de chaque brûleur de la table de cuisson, effectuer un test de recherche des fuites : appliquer sur les connexions du circuit de gaz une solution homologuée (non corrosive) de détection des fuites. La formation de bulles indique la présence d'une fuite. Veiller à éliminer toute fuite détectée.

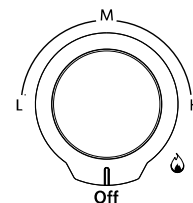
13. Régler le robinet simple et le robinet double tel qu'indiqué à la section "Réglage de la taille des flammes".

Allumeurs électroniques - allumage

À la place d'une flamme de veille, les brûleurs de la table de cuisson sont dotés d'un allumeur électronique. Lorsque l'utilisateur appuie sur le bouton de commande, le système génère des étincelles pour l'inflammation du gaz sur le brûleur. La génération d'étincelles se poursuit jusqu'au moment où l'utilisateur ramène le bouton de commande à la position de réglage désirée.

Contrôle du fonctionnement des brûleurs de la table de cuisson :

1. Placer le bouton de commande à la position contact (enfoncer et faire tourner). Voir le guide d'utilisation pour plus de renseignements. Le gaz doit s'enflammer sur le brûleur en moins de 4 secondes. Lors de l'allumage initial du brûleur, le délai d'allumage peut être supérieur à 4 secondes du fait de la présence d'air dans la canalisation de gaz. Après l'inflammation du gaz, ne pas laisser le bouton à la position contact.



2. Si le brûleur ne s'allume pas correctement, ramener le bouton de commande à la position OFF (arrêt). Veiller à ce que le chapeau de brûleur soit à la position correcte.
3. Vérifier que le cordon d'alimentation est branché. Déterminer si le disjoncteur s'est ouvert ou si un fusible est grillé.
4. Vérifier que le robinet d'arrêt de la canalisation de gaz est à la position d'ouverture.
5. Contrôler de nouveau le fonctionnement du brûleur.

Si l'un des brûleurs ne peut toujours pas s'allumer ou si aucun des brûleurs ne s'allume, voir la section "Assistance ou service" dans le Guide d'utilisation.

Réglage de la taille des flammes

Chaque brûleur a été réglé à l'usine de telle manière que pour la position du robinet de gaz correspondant au débit thermique minimum, le dispositif de rallumage du brûleur fonctionne constamment d'une manière fiable; cependant il est possible d'effectuer un réglage sur chaque brûleur.

REMARQUE : Si le numéro de modèle de votre appareil commence par KGCS5 ou par KGCS9, appeler pour demander une intervention de dépannage car cette opération nécessite l'ouverture de l'appareil.

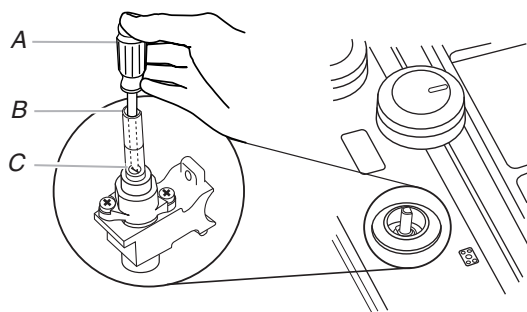
Réglage :

Les vis de réglage situées sous le bouton de commande permettent de régler la configuration des flammes.

REMARQUE : Consulter le guide d'utilisation et d'entretien pour déterminer si chaque brûleur est à flamme simple ou double. Effectuer les réglages appropriés sur les gicleurs

Réglage pour robinet simple

1. Placer le bouton de commande du brûleur à la position correspondant au débit thermique minimum (LO).
2. Ôter le bouton de commande.
3. Immobiliser la tige du bouton de commande du robinet de gaz avec une pince. Utiliser un petit tournevis à lame plate $\frac{3}{32}$ " (#0 [2,0 mm]) pour faire tourner la vis de réglage située à l'intérieur de la tige du bouton de commande du robinet, pour établir la taille correcte des flammes.



A. Tournevis à lame plate $\frac{3}{32}$ " (#0 [2,0 mm]) (la longueur de la tige du tournevis doit être d'au moins 2" [5,1 cm])

B. Ouverture de la tige de commande du robinet

C. Position de la vis de réglage

4. Conversion pour l'alimentation au propane :

Serrer complètement la vis "C" pour établir la hauteur minimum des flammes.

Conversion pour l'alimentation au gaz naturel :

Serrer la vis "C" pour réduire la hauteur des flammes. Desserrer la vis pour augmenter la hauteur des flammes. Voir la section "Achever le réglage des brûleurs".

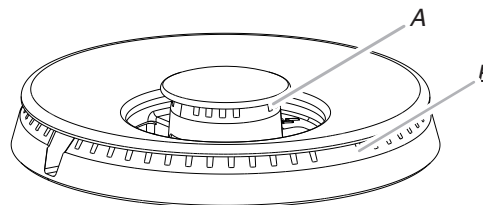
5. Réinstaller le bouton de commande.

6. Évaluer la taille des flammes : faire tourner le bouton de commande entre les positions LO (débit thermique minimum) et HI (débit thermique maximum) et évaluer la hauteur des flammes à chaque position de réglage.

Réglage pour robinet double

Réglage de la couronne de flammes interne :

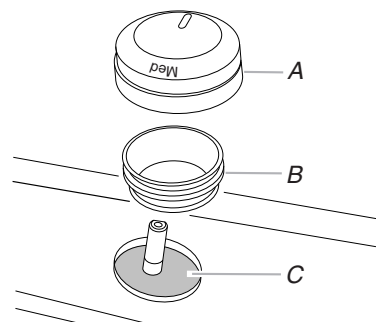
1. Placer le bouton de commande de la couronne interne à la position correspondant au débit thermique minimum (LO).



A. Couronne interne

B. Couronne externe

2. Ôter le bouton de commande.
3. Ôter la bague de caoutchouc noir.
4. Utiliser une pince à bec effilé pour retirer le disque de séparation gris qui se trouve à l'intérieur de l'ouverture du robinet du brûleur.



A. Bouton de commande

B. Bague de caoutchouc noir

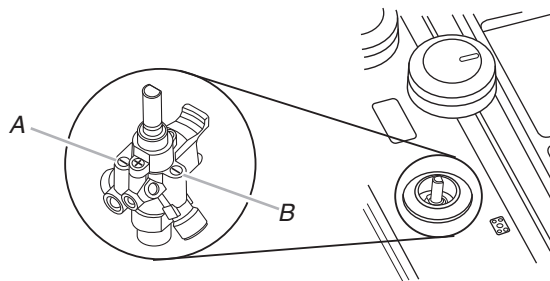
C. Disque de séparation gris

5. Conversion pour l'alimentation au propane :

Serrer complètement la vis "A" pour établir la hauteur minimum des flammes.

Conversion pour l'alimentation au gaz naturel :

Serrer la vis "A" pour réduire la hauteur des flammes. Desserrer la vis pour augmenter la hauteur des flammes. Voir la section "Achever le réglage des brûleurs".



A. Vis de réglage pour couronne de flammes interne

B. Vis de réglage pour couronne de flammes externe

6. Réinstaller le bouton de commande.

Réglage de la couronne de flammes externe :

1. Placer le bouton de commande de la couronne externe à la position correspondant au débit thermique minimum (LO).
2. Ôter le bouton de commande.

3. Conversion pour l'alimentation au propane :

Serrer complètement la vis "B" pour établir la hauteur minimum des flammes.

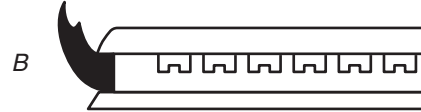
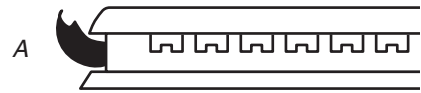
Conversion pour l'alimentation au gaz naturel :

Serrer la vis "B" pour réduire la hauteur des flammes.
Desserrer la vis pour augmenter la hauteur des flammes. Voir la section "Achever le réglage des brûleurs".

4. Réinstaller le disque de séparation gris. Utiliser un tournevis pour pousser la pièce en place.
5. Réinstaller la bague de caoutchouc noir.
6. Réinstaller le bouton de commande.
7. Évaluer la taille des flammes : faire tourner le bouton de commande entre les positions LO (débit thermique minimum) et HI (débit thermique maximum) et évaluer la hauteur des flammes à chaque position de réglage.

Achever le réglage des brûleurs

1. Contrôler la taille et la forme des flammes sur chaque brûleur. Pour le réglage au débit thermique minimum, on doit observer des flammes stables bleues de 1/4" (0,64 cm).



A. Petites flammes

B. Grandes flammes

2. Compléter l'étiquette de conversion et fixer l'étiquette au bas de la table de cuisson, à côté de la plaque signalétique. Ne pas recouvrir la plaque signalétique avec l'étiquette.

IMPORTANT : Conserver les gicleurs avec les présentes instructions, pour utilisation ultérieure.

Consulter la section "Brûleurs de surface scellés" dans le Guide d'utilisation et d'entretien fourni avec l'appareil.