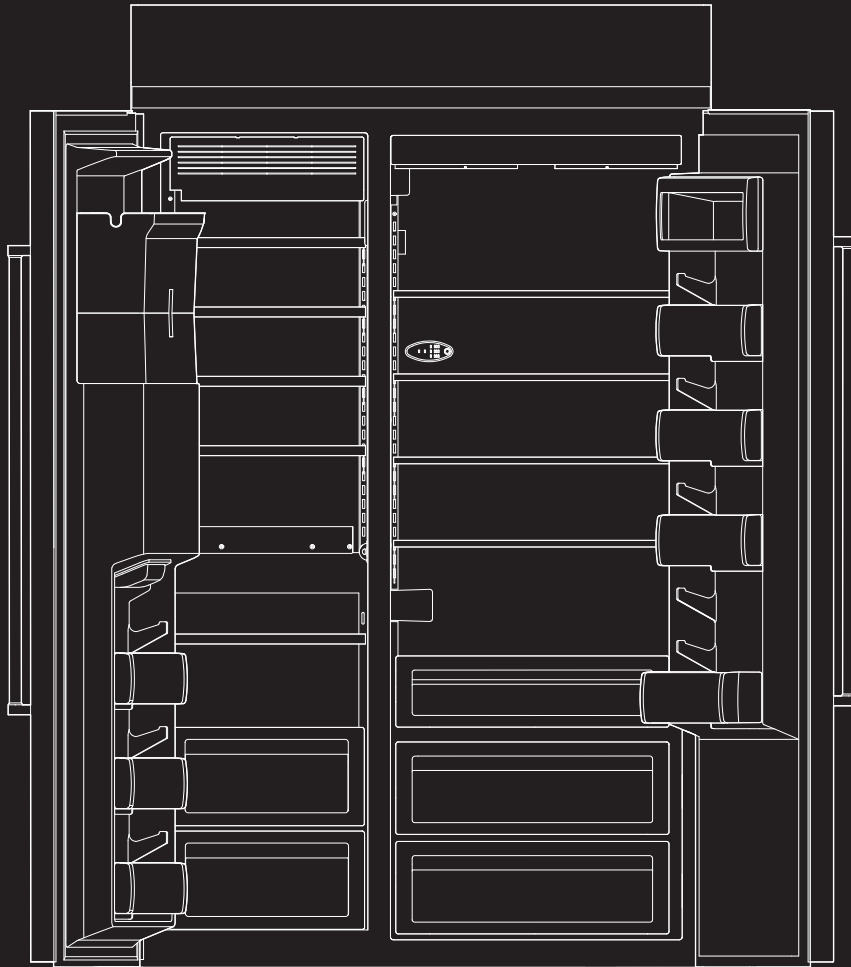


INSTALL

SIDE BY SIDE BUILT-IN REFRIGERATOR RÉFRIGÉRATEUR ENCASTRÉ CÔTE À CÔTE



For questions about features, operation/performance, parts, accessories, or service, call:
1-800-JENNAIR (1-800-536-6247) or visit our website at www.jennair.com.

In Canada, call: **1-800-JENNAIR (1-800-536-6247)**, or visit our website at www.jennair.ca.

Pour des questions à propos des caractéristiques, du fonctionnement/rendement, des pièces, accessoires ou service,
composer le : **1 800 JENNAIR (1 800 536-6247)** ou visiter notre site Web au www.jennair.com.

Au Canada, composer le : **1 800 JENNAIR (1 800 536-6247)** ou visiter notre site Web au www.jennair.ca.



JENNAIR®

TABLE OF CONTENTS

INTRODUCTION

Refrigerator Safety	3
---------------------------	---

VARIANTS AND ACCESSORIES

42" Models.....	4
48" Models	4

INSTALLATION REQUIREMENTS

Location Requirements.....	5
Electrical Requirements.....	6
Water Supply Requirements.....	7
Product Dimensions.....	8
Door Swing Dimensions	8
Custom Side Panels.....	9

INSTALLATION INSTRUCTIONS

Unpack the Refrigerator	10
Reduce Tipping Radius (if required)	10
Move the Refrigerator into House.....	10
Install Anti-Tip Boards.....	11
Connect the Water Supply.....	11
Plug in Refrigerator.....	14
Move Refrigerator to Final Location	14
Level and Align Refrigerator	14
Adjust Doors	15
Install Side Panel	16
Install Base Grille	16
Complete Installation.....	17
Water System Preparation	17

TABLE DES MATIÈRES

INTRODUCTION

Sécurité du réfrigérateur	18
---------------------------------	----

VARIANTES ET ACCESSOIRES

Modèles de 42 po.....	19
Modèles de 48 po.....	19

EXIGENCES D'INSTALLATION

Exigences d'emplacement.....	20
Spécifications électriques.....	21
Spécifications de l'alimentation en eau	22
Dimensions du produit.....	23
Dimensions pour l'ouverture des portes	23
Panneaux latéraux personnalisés.....	24

INSTRUCTIONS D'INSTALLATION

Déballage du réfrigérateur	25
Réduire le rayon de basculement (le cas échéant).....	25
Déplacement du réfrigérateur dans le domicile	25
Installation de planches antibasculement.....	26
Raccordement à la canalisation d'eau	26
Brancher le réfrigérateur.....	29
Déplacement du réfrigérateur à son emplacement définitif.....	29
Réglage de l'aplomb et alignement du réfrigérateur.....	29
Ajustement des portes.....	30
Installation du panneau latéral	31
Installation de la grille de la base.....	31
Terminer l'installation.....	32
Préparation du circuit d'eau	32

INTRODUCTION

REFRIGERATOR SAFETY

Your safety and the safety of others are very important.

We have provided many important safety messages in this manual and on your appliance. Always read and obey all safety messages.



This is the safety alert symbol.

This symbol alerts you to potential hazards that can kill or hurt you and others.

All safety messages will follow the safety alert symbol and either the word "DANGER" or "WARNING."

These words mean:

⚠ DANGER

You can be killed or seriously injured if you don't immediately follow instructions.

⚠ WARNING

You can be killed or seriously injured if you don't follow instructions.

All safety messages will tell you what the potential hazard is, tell you how to reduce the chance of injury, and tell you what can happen if the instructions are not followed.

⚠ WARNING



Tip Over Hazard

Refrigerator is top heavy and tips easily when not completely installed.

Keep doors taped closed until refrigerator is completely installed.

Use two or more people to move and install refrigerator.

Failure to do so can result in death or serious injury.

VARIANTS AND ACCESSORIES

42" MODELS



Euro-Style Design

Features stainless steel wrapped doors with towel bar handles.

JS42SSDUDE



Pro-Style® Design

Features stainless steel wrapped doors and Pro-Style® handles with diamond-etched grip.

JS42PPDUDE

48" MODELS



Euro-Style Design

Features stainless steel wrapped doors with towel bar handles.

JS48SSDUDE



Pro-Style® Design

Features stainless steel wrapped doors and Pro-Style® handles with diamond-etched grip.

JS48PPDUDE

INSTALLATION REQUIREMENTS

TOOLS AND PARTS

IMPORTANT:

- Installer: Leave Installation Instructions with the homeowner.
- Homeowner: Keep Installation Instructions for future reference. Save these Installation Instructions for the local electrical inspector's use.

TOOLS NEEDED:

Gather the required tools and parts before starting installation. Read and follow the instructions provided with any tools listed here.

- | | |
|---------------------------|-----------------------------------|
| ■ Cordless drill | ■ 11/32" nut driver |
| ■ Drill bits | ■ 3/8" and 1/2" open-end wrenches |
| ■ Adjustable wrenches (2) | |
| ■ Phillips screwdriver | ■ 5/32" hex key |
| ■ Small level | ■ 1/4" and 5/16" socket drivers |
| ■ Appliance dolly | ■ Tape measure |
| ■ Torx† T27 screwdriver | ■ Utility knife |


Parts Needed:

- #8 x 3" (7.6 cm) wood screws (longer screws may be needed) (6)
- 2" x 4" x 32" (5 cm x 10 cm x 81 cm) wood board(s) (1 or 2)
- If you are connecting the water line directly to copper tubing and not to a shutoff valve, you need a ferrule, a union, and a 1/4" (6.35 mm) compression fitting.

LOCATION REQUIREMENTS

The refrigerator can be recessed in an opening between cabinets or installed at the end of a cabinet run using a side panel to enclose the refrigerator.

⚠ WARNING



Explosion Hazard

Keep flammable materials and vapors, such as gasoline, away from refrigerator.

Failure to do so can result in death, explosion, or fire.

IMPORTANT: This appliance is intended to be used in household and similar applications such as:

- Staff kitchen areas in shops, offices and other working environments.
- Farm houses and by clients in hotels, motels and other residential type environments.
- Bed and breakfast type environments.
- Catering and similar non-retail applications.

†TORX is a trademark of Acument Intellectual Properties, LLC.

NOTE: The refrigerator is intended for use in a location where the temperature ranges from a minimum of 55°F (13°C) to a maximum of 110°F (43°C). The preferred room temperature range for optimum performance, which reduces electricity usage and provides superior cooling, is between 60°F (15°C) and 90°F (32°C). It is recommended that you do not install the refrigerator near a heat source, such as an oven or radiator.

IMPORTANT:

- Observe all governing codes and ordinances.
- Floor must support the refrigerator weight, more than 600 lbs (272 kg), door panels and contents of the refrigerator. Flooring under refrigerator must be at same level as the room. Face of cabinetry must be plumb.
- Location should permit door to open fully. See "Door Swing Dimensions."
- Location must permit top grille removal. See "Opening Dimensions."

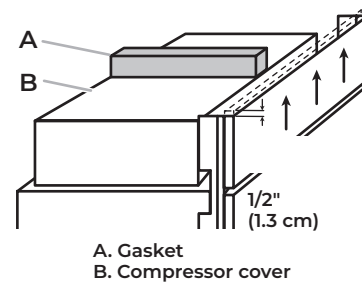
OPENING DIMENSIONS

- To avoid tipping during use, the solid soffit must be within 1" (2.5 cm) maximum above the refrigerator. If the solid soffit is higher than 1" (2.5 cm) or one is not available, then the refrigerator must be braced.

If anti-tip boards are needed, they must be installed to the rear wall studs so that the bottom of the anti-tip board is 84" (213 cm) from the floor. See "Install Anti-Tip Boards" for more information.

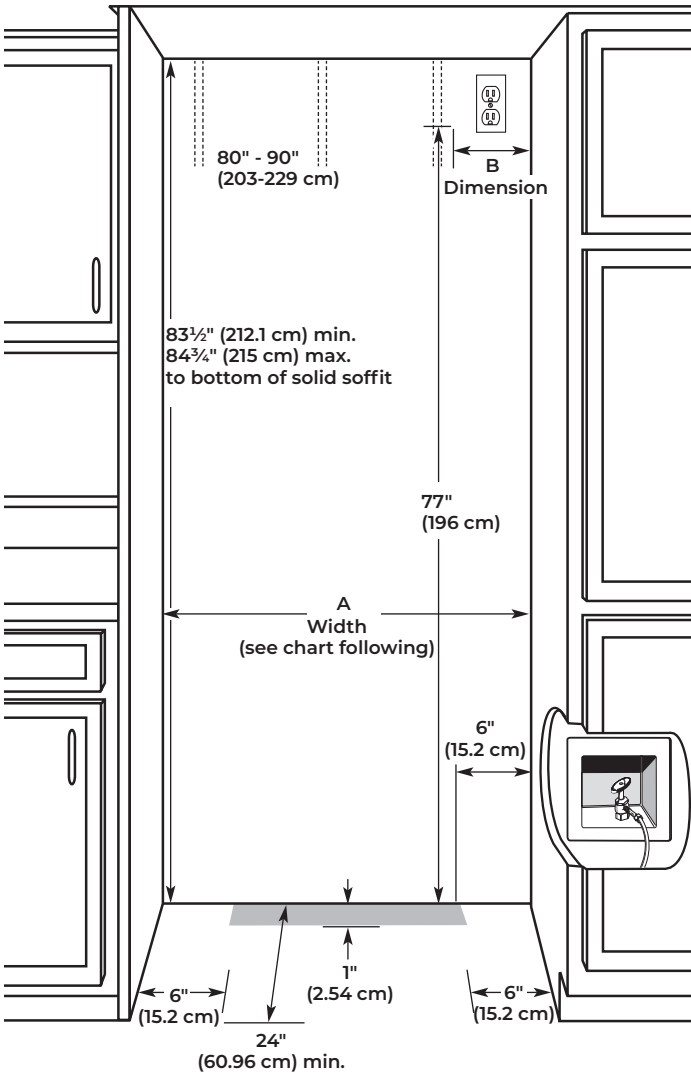
NOTES:

- A clearance of 1/2" (1.3 cm) must be maintained above the top grille in order for the top grille to be removed.
- Do not remove the foam gasket from the top of the compressor cover unless removal is necessary to fit the unit under a soffit. Removal of the gasket will cause loss in cooling efficiency.
- If installing under a solid soffit, after installation raise the leveling legs so that the gasket is pressed snugly against the soffit.



- A grounded 3 prong electrical outlet should be located within a specified number of inches from the right-hand side cabinets or end panel. See the chart following the graphic for the number of inches required for your model. For more information, see "Electrical Requirements."

- The water shutoff should be located in the base cabinet on either side of the refrigerator or some other easily accessible area. If the water shutoff valve is not in the cabinets, the plumbing for the water line can come through the floor. See “Water Supply Requirements” for more information.



Model	Width A (as shown above)	Dimension B (as shown above)
42	41½" to 41¾" (105.4 cm to 106.1 cm)	7½" (19.1 cm)
48	47½" to 47¾" (120.7 cm to 121.3 cm)	13½" (34.3 cm)

NOTE: Flooring under refrigerator must be at same level as the room. Face of cabinetry must be plumb.

ELECTRICAL REQUIREMENTS

⚠ WARNING



Electrical Shock Hazard

Plug into a grounded 3 prong outlet.

Do not remove ground prong.

Do not use an adapter.

Do not use an extension cord.

Failure to follow these instructions can result in death, fire, or electrical shock.

Before you move your refrigerator into its final location, it is important to make sure you have the proper electrical connection.

If the supply cord is damaged, it must be replaced by the manufacturer or its service agent or a similar qualified person. Do not use a cord that shows cracks or abrasion damage along its length or at either the plug or connection end.

RECOMMENDED GROUNDING METHOD

A 115 V, 60 Hz, AC only, 15 or 20 A fused, grounded electrical supply is required. It is recommended that a separate circuit serving only your refrigerator be provided. Use an outlet that cannot be turned off by a switch. Do not use an extension cord.

IMPORTANT: If this product is connected to a GFCI (Ground Fault Circuit Interrupter) protected outlet, nuisance tripping of the power supply may occur, resulting in loss of cooling. Food quality and flavor may be affected. If nuisance tripping has occurred, and if the condition of the food appears poor, dispose of it.

NOTE: Before performing any type of installation or cleaning, remove the top grille and turn the master power switch to OFF or disconnect power at the circuit breaker box.

When you are finished, turn ON the master power switch or reconnect power at the circuit breaker box. Then reset the control to the desired setting.

WATER SUPPLY REQUIREMENTS

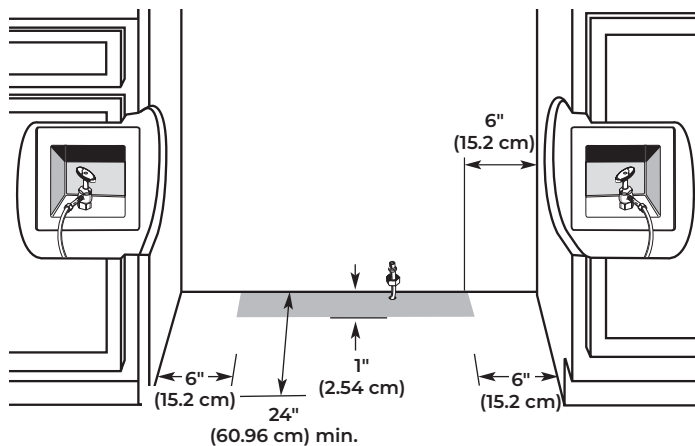
IMPORTANT:

- All installations must meet local plumbing code requirements.
- Connect to potable water supply only.

Do not use with water that is microbiologically unsafe or of unknown quality without adequate disinfection before or after the system. Systems certified for cyst reduction may be used on disinfected waters that may contain filterable cysts.

- The water shutoff should be located in the base cabinet on either side of the refrigerator or some other easily accessible area. The water supply line, however, must come up through the floor in the gray shaded area shown.

NOTE: If the water shutoff valve is in the back wall behind the refrigerator, it must be at an angle so that the tube is not kinked when the refrigerator is pushed into its final location.



- If the water shutoff valve is not in the cabinets, the plumbing for the water line can come through the floor. A 1/2" (12.7 mm) hole for plumbing should be drilled at least 6" (15.2 cm) from the right-hand or left-hand side cabinet or panel. On the floor, the hole should be no more than 1" (2.54 cm) away from the back wall. See "Connect the Water Supply."
- If additional tubing is needed, use copper tubing and check for leaks. Install the copper tubing only in areas where the household temperatures will remain above freezing.
- Do not use a piercing-type or 3/16" (4.76 mm) saddle valve which reduces water flow and also clogs more easily.

NOTE: Your refrigerator dealer has a kit available with a 1/4" (6.35 mm) saddle-type shutoff valve, a union, and copper tubing. Before purchasing, make sure a saddle-type valve complies with your local plumbing codes.

WATER PRESSURE

A cold water supply with water pressure between 30 and 120 psi (207 and 827 kPa) is required to operate the water dispenser and ice maker. If you have questions about your water pressure, call a licensed, qualified plumber.

NOTE: If the water pressure is less than what is required, the flow of water from the water dispenser could decrease or ice cubes could be hollow or irregular shaped. If you have questions about your water pressure, call a licensed, qualified plumber.

Reverse Osmosis Water Supply

IMPORTANT: The pressure of the water supply coming out of a reverse osmosis system going to the water inlet valve of the refrigerator needs to be between 30 and 120 psi (207 and 827 kPa).

If a reverse osmosis water filtration system is connected to your cold water supply, the water pressure to the reverse osmosis system needs to be a minimum of 40 to 60 psi (276 to 414 kPa).

If the water pressure to the reverse osmosis system is less than 40 to 60 psi (276 to 414 kPa):

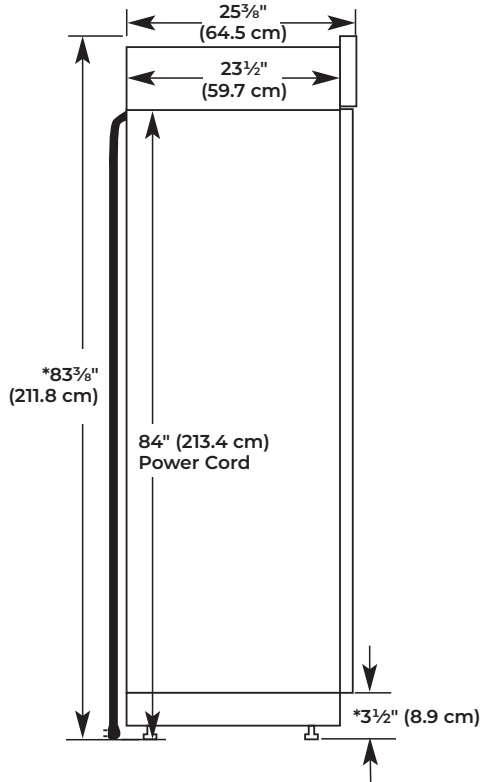
- Check to see whether the sediment filter in the reverse osmosis system is blocked. Replace the filter if necessary.
- Allow the storage tank on the reverse osmosis system to refill after heavy usage.
- If your refrigerator has a water filter, it may further reduce the water pressure when used in conjunction with a reverse osmosis system. Remove the water filter cartridge.

If you have questions about your water pressure, call a licensed, qualified plumber.

PRODUCT DIMENSIONS

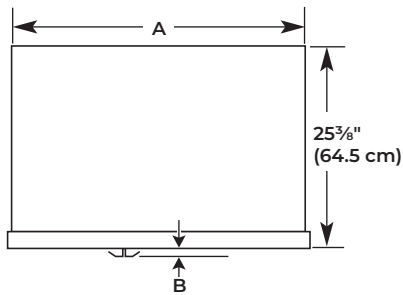
SIDE VIEW

- The depth from the front of the top grille to the back of the refrigerator cabinet is 25³/₈" (64.5 cm).
- The power cord is 84" (213 cm) long.
- The water line attached to the back of the refrigerator is 5 ft (1.5 m) long.
- Height dimensions are shown with leveling legs extended 1/8" (3 mm) below the rollers.



*When leveling legs are fully extended to 1¹/₄" (3.2 cm) below rollers, add 1¹/₈" (2.9 cm) to the height dimensions.

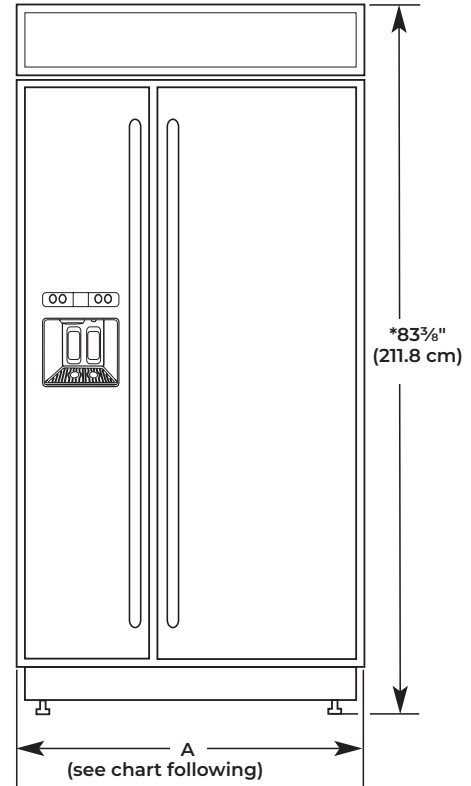
TOP VIEW



Model	A	B
42 Euro-Style	41" (104.1 cm)	2 ¹ / ₈ " (5.3 cm)
48 Euro-Style	47" (119.4 cm)	2 ¹ / ₈ " (5.3 cm)
42 Pro-Style®	41" (104.1 cm)	2 ⁵ / ₈ " (6.67 cm)
48 Pro-Style®	47" (119.4 cm)	2 ⁵ / ₈ " (6.67 cm)

FRONT VIEW

- Width dimensions were measured from trim edge to trim edge.
- Height dimensions are shown with leveling legs extended 1/8" (3 mm) below the rollers.



Model	Tipping Radius A
42	42 ⁵ / ₁₆ " (107.5 cm)
48	48 ³ / ₈ " (122.8 cm)

*When leveling legs are fully extended to 1¹/₄" (3.2 cm) below rollers, add 1¹/₈" (2.9 cm) to the height dimensions.

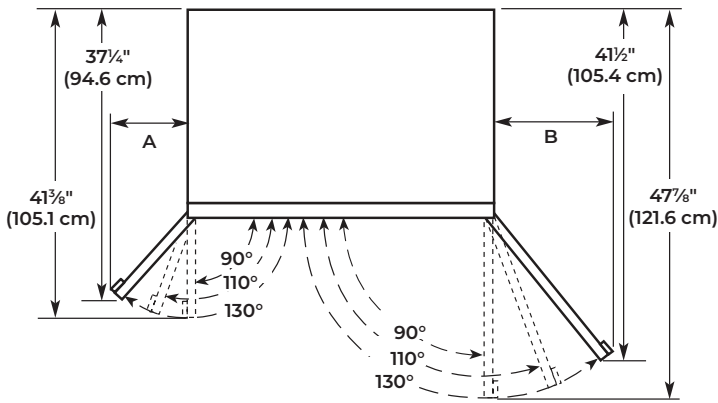
DOOR SWING DIMENSIONS

The location must permit both doors to open to a minimum of 90°. Allow 4¹/₂" (11.4 cm) minimum space between the side of the refrigerator and a corner wall.

NOTE: More clearance may be required if you are using overlay panels, custom handles, or extended handles.

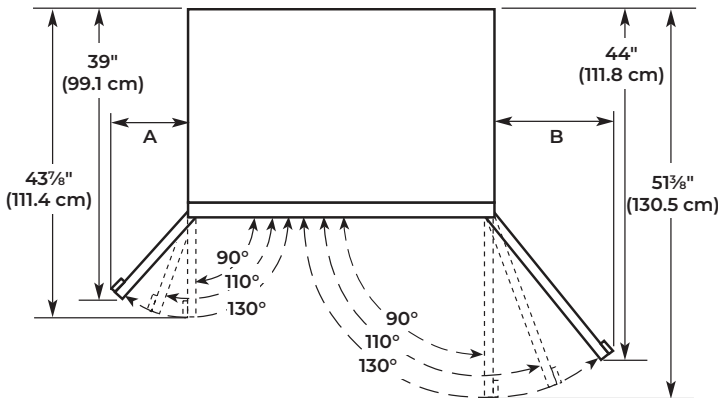
To adjust the door swing, see "Adjust Doors."

42" (106.7 CM) MODELS



Model	A	B
Pro-Style®	10 ³ / ₄ " (27.11 cm)	14 ¹ / ₄ " (36.11 cm)
Euro	10 ¹ / ₄ " (25.87 cm)	13 ³ / ₄ " (34.88 cm)

48" (121.9 CM) MODELS



Model	A	B
Pro-Style®	12 ³ / ₁₆ " (30.84 cm)	16 ¹ / ₄ " (41.16 cm)
Euro	11 ⁵ / ₈ " (29.43 cm)	15 ¹¹ / ₁₆ " (39.75 cm)

CUSTOM SIDE PANELS

Custom side panels may be needed when not enough space is available to have cabinets on both sides of the refrigerator or when the refrigerator is placed at the end of a cabinet run.

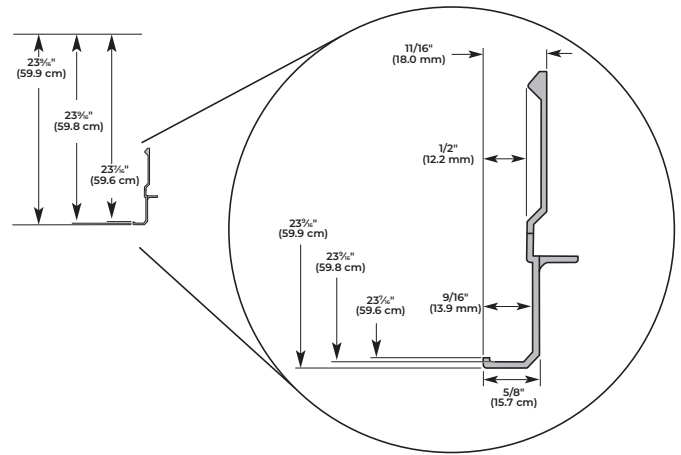
REFRIGERATOR AND SIDE TRIM DIMENSIONS

The width and height of a side panel are determined by the type of installation you are planning.

NOTES:

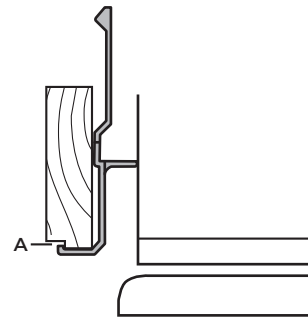
- The dimensions shown are actual product dimensions and may not reflect the needed panel installation dimensions.
- The side panel should be a minimum of 1/2" (1.27 cm) thick to avoid warping.
- If the opening depth is 25" (63.5 cm) or more, you may want to install a support board on rear wall.

SIDE TRIM



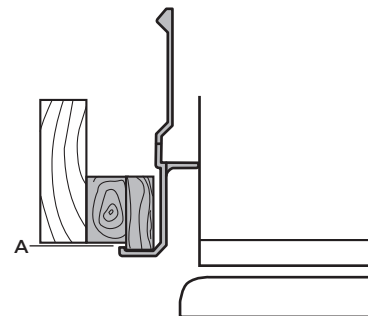
INSTALLATION DIMENSIONS (OPTION 1)

1. Measure the distance from point A (as shown) to the back wall. Add 1/16" (1.6 mm) to this measurement to allow the side panel to fit into the trim.
2. If the panel is more than 5/16" (8.7 mm) thick, route the front edge to allow the side panel to fit into the trim.



INSTALLATION DIMENSIONS (OPTION 2)

1. Measure the distance from point A (as shown) to back wall.
2. Route the front edge of the support board or attach a 3/8" (9.5 mm) board to hold the panel in the cabinet side trim.



INSTALLATION INSTRUCTIONS

UNPACK THE REFRIGERATOR

WARNING



Tip Over Hazard

Refrigerator is top heavy and tips easily when not completely installed.

Keep doors taped closed until refrigerator is completely installed.

Use two or more people to move and install refrigerator.

Failure to do so can result in death or serious injury.

IMPORTANT:

- Do not remove the film covering until the refrigerator is in its operating location.
 - All four leveling legs must contact the floor to support and stabilize the full weight of the refrigerator.
 - Keep the cardboard shipping piece or plywood under the refrigerator until it is installed in the operating location.
1. Remove and save the literature package bag taped to the side of the refrigerator and the parts bag behind the grille. Remove the four brackets (two on each side) that attach the shipping base to the refrigerator bottom.
NOTE: Do not remove tape and door bracing until the refrigerator is in its final location.
 2. If necessary, reduce the tipping radius. See "Tipping Radius" for ceiling height requirements or "Reduce Tipping Radius" for step-by-step instructions. If you do not need to reduce the tipping radius, proceed to "Move the Refrigerator into House."

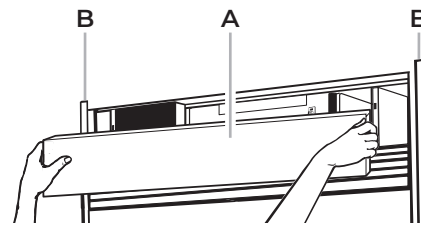
REDUCE TIPPING RADIUS (IF REQUIRED)

Before bringing the refrigerator into the home, be sure there is adequate ceiling height to stand the refrigerator upright. See "Tipping Radius" in the "Installation Requirements" section for more information.

If you do not have adequate ceiling height to stand the refrigerator upright, the tipping radius can be reduced by removing the top grille and side trims (see the following chart).

Model	Reduced Tipping Radius
42	90½" (229.9 cm)
48	91¼" (231.8 cm)

1. Grasp both ends of the top grille.
2. Push the top grille straight up; then pull straight out. Lay the grille on a soft surface.



A. Top grille
B. Cabinet side trim

3. Remove the 6 screws attaching each cabinet side trim to the refrigerator and remove the side trims.

MOVE THE REFRIGERATOR INTO HOUSE

WARNING



Tip Over Hazard

Refrigerator is top heavy and tips easily when not completely installed.

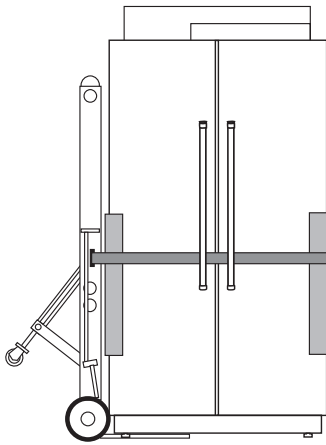
Keep doors taped closed until refrigerator is completely installed.

Use two or more people to move and install refrigerator.

Failure to do so can result in death or serious injury.

1. Place an appliance dolly under the left side of the refrigerator as shown. Place the corner posts from the packing materials over the trims and handles as appropriate to avoid damage. Slowly tighten the strap.

NOTE: Pass the dolly strap under the handles.



2. Place pieces of the shipping carton on the floor when rolling the dolly and refrigerator into the house. Move the refrigerator close to the built-in opening.
3. Place top of cardboard carton or plywood under refrigerator.
4. Stand the refrigerator up. First, place the left bottom edge of the refrigerator on the floor, stand the refrigerator upright and then lower the right-hand side of the refrigerator to the floor.
5. Reassemble the trim and top grille after the dolly has been removed from the refrigerator.

INSTALL ANTI-TIP BOARDS

IMPORTANT:

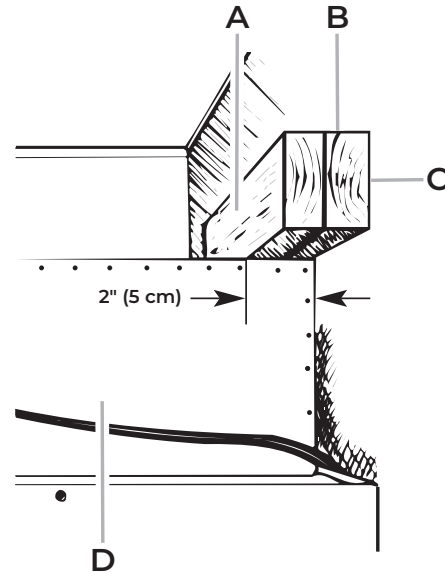
- To avoid tipping during use, the solid soffit must be within 1" (2.5 cm) maximum above the refrigerator. If the solid soffit is higher than 1" (2.5 cm) or one is not available, then the refrigerator must be braced.
- It is recommended that board(s) be installed before the refrigerator is installed.
- Board(s) must be long enough to fully cover the width of the compressor cover.
- Locate the board(s) so the bottom surface(s) of the board(s) is (are) 84" (213 cm) from the floor.
- During installation, raise the refrigerator up so there is 1/4" (6.35 mm) maximum between the top of the refrigerator and the bottom of the anti-tip board(s). Do not crush the compressor cover when raising the rear leveling legs.

NOTE: The foam gasket, on top of the compressor cover, will compress to fit under the anti-tip board(s). There is no need to trim the gasket.

TO INSTALL ANTI-TIP BOARDS

1. Mark the stud locations on rear wall.

2. Securely attach two 2" x 4" x 32" (5 cm x 10 cm x 81 cm) boards to wall studs behind refrigerator. Use six #8 x 3" (7.6 cm) (or longer) wood screws. The wood screws must be screwed into the studs at least 1 1/2" (3.8 cm). The boards must overlap the compressor cover.



- A. Center board 1/4" (6.35 mm) max. above refrigerator
- B. Two 2" x 4" x 32" (5 cm x 10 cm x 81 cm) boards

- C. Attach to studs with six #8 x 3" (7.6 cm) screws
- D. Compressor cover

CONNECT THE WATER SUPPLY

Read all directions before you begin.

IMPORTANT:

- If you turn the refrigerator on before the water line is connected, turn the ice maker OFF.
- Connect to potable water supply only.

Do not use with water that is microbiologically unsafe or of unknown quality without adequate disinfection before or after the system. Systems certified for cyst reduction may be used on disinfected waters that may contain filterable cysts.

CONNECT TO WATER LINE

PARTS NEEDED

- Minimum 7 ft (2.13 m) flexible, codes-approved water supply line

STYLE 1—SHUTOFF VALVE CONNECTION

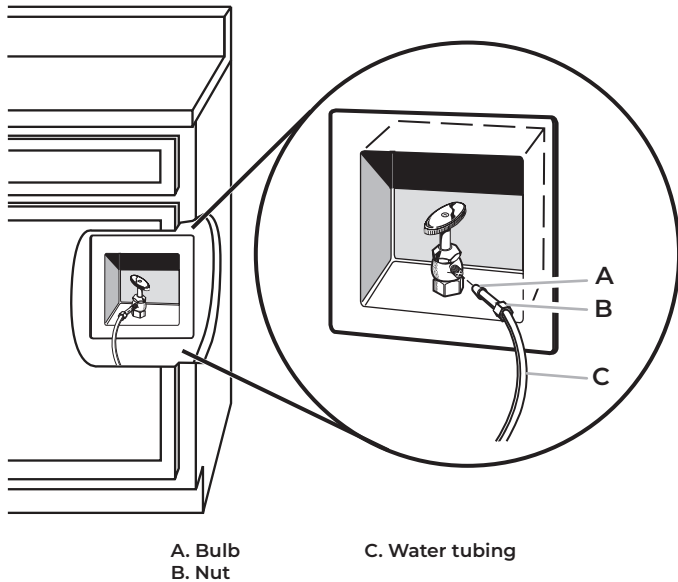
NOTE: If your water line connection does not look like Style 1, see "Style 2—Copper Line Connection."

1. Unplug refrigerator or disconnect power supply.

IMPORTANT:

- There is not enough clearance to achieve a flush installation if a water shutoff valve is located in the wall behind the refrigerator. The water shutoff should be located in the base cabinet on either side of the refrigerator.

- Before attaching the tubing to shutoff valve, flush the main water supply line to remove particles and air in the water line. Allow enough flow so that water becomes clear. Flushing the water line may help avoid filters and/or water valves from becoming clogged.
2. Connect the flexible, codes-approved water supply line to the water shutoff valve by threading the provided nut onto the shutoff valve as shown.



3. Place the end of the tubing into a bucket, and turn shutoff valve ON.
4. Check for leaks. Tighten any nuts or connections (including connections at the valve) that leak.

STYLE 2—COPPER LINE CONNECTION

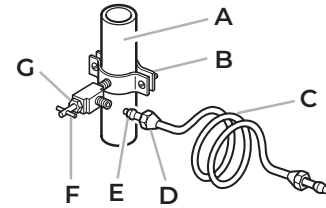
NOTE: If there is a water supply line that meets the specifications in “Water Supply Requirements,” proceed to “Connecting to Refrigerator.” If not, use the following instructions to connect to the household cold water supply.

1. Unplug refrigerator or disconnect power.
2. Turn OFF main water supply. Turn ON nearest faucet long enough to clear line of water.
3. Locate a 1/2" to 1 1/4" (1.3 cm to 3.18 cm) vertical cold water pipe near the refrigerator.

IMPORTANT:

- Make sure it is a cold water pipe.
 - Horizontal pipe will work, but drill on the top side of the pipe, not the bottom. This will help keep water away from the drill and keep normal sediment from collecting in the valve.
4. Determine the length of copper tubing you need. Measure from the connection on the refrigerator to the water pipe. Add 7 ft (2.1 m) to allow for cleaning. Use 1/4" (6.35 mm) O.D. (outside diameter) copper tubing. Be sure both ends of copper tubing are cut square.

5. Using a cordless drill, drill a 1/4" (6.35 mm) hole in the cold water pipe you have selected.



- A. Cold water pipe
B. Pipe clamp
C. Copper tubing
D. Compression nut
E. Compression sleeve
F. Shutoff valve
G. Packing nut

6. Fasten the shutoff valve to the cold water pipe with the pipe clamp. Be sure the outlet end is solidly in the 1/4" (6.35 mm) drilled hole in the water pipe and that the washer is under the pipe clamp. Tighten the packing nut. Tighten the pipe clamp screws slowly and evenly so washer makes a watertight seal. Do not overtighten.

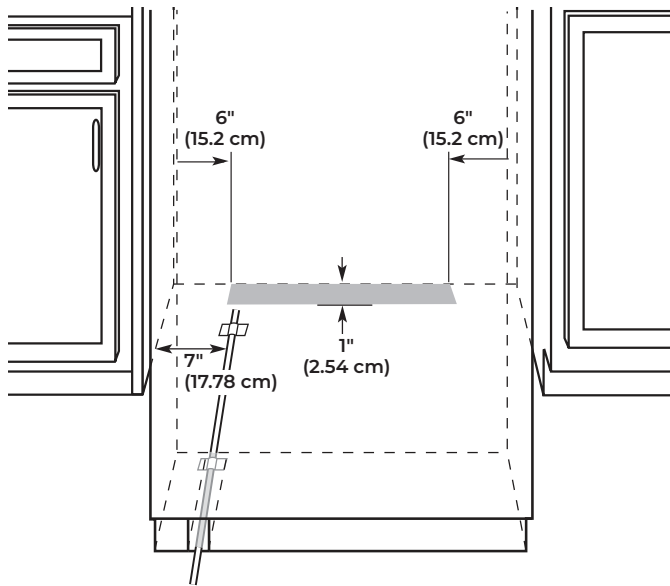
IMPORTANT: Before attaching the tubing to shutoff valve, flush the main water supply line to remove particles and air in the water line. Allow enough flow so that water becomes clear. Flushing the water line may help avoid filters and/or water valves from becoming clogged.

7. Slip the compression sleeve and compression nut on the copper tubing as shown. Insert the end of the tubing into the outlet end squarely as far as it will go. Screw compression nut onto outlet end with adjustable wrench. Do not overtighten the clamp or the sleeve. This will crush the copper tubing.
8. Turn off the shutoff valve on the water pipe. Coil the copper tubing.
9. Connect the flexible, codes-approved water supply line to the water shutoff valve by threading the provided nut onto the shutoff valve.
10. Place the end of the tubing into a bucket, and turn shutoff valve ON.
11. Check for leaks around the saddle valve. Tighten any nuts or connections (including connections at the valve) that leak.

CONNECT TO REFRIGERATOR

Parts Supplied

- 1/4" to 1/4" (6.35 mm to 6.35 mm) male-to-male coupling (on some models)



NOTE: The flexible, codes-approved water supply line should connect to the supply valve through the floor.

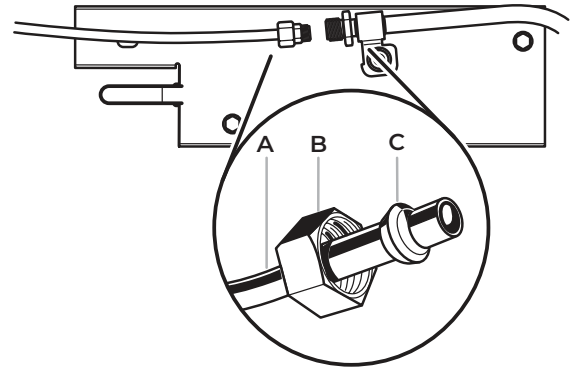
1. Unplug the refrigerator or disconnect power.
2. Connect the 7 ft (2.13 m) flexible codes-approved water tube to the water supply valve.
3. Flush the main water supply line to remove particles and air in the water line. Allow enough flow so that water becomes clear
4. Tape the 7 ft (2.13 m) flexible codes-approved water supply line to the floor, 7" (17.78 cm) from the left side of the refrigerator. Tape along the length of the tubing, which will allow it to pass beneath the refrigerator without interference.

NOTE: Allow a minimum of 26" (66.04 cm) of flexible codes-approved water supply line to be loose at the front of the refrigerator for connecting to the refrigerator.

5. Connect the 7 ft (2.13 m) flexible codes-approved water supply line to the refrigerator.

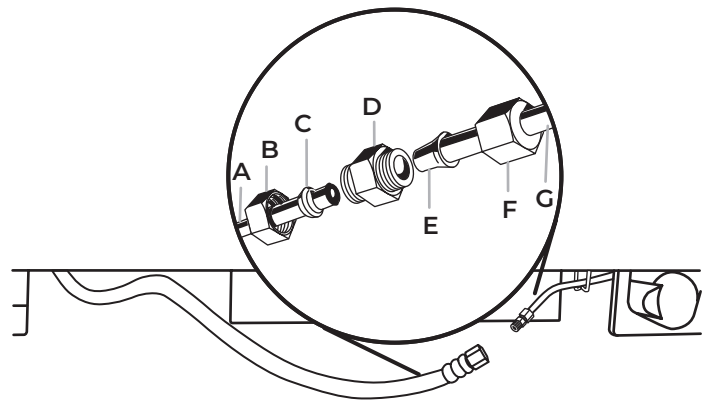
NOTE: If the main water shutoff valve is behind the refrigerator, a secondary water shutoff valve may be installed in line with the water supply line at the front of the product.

OVERMOLD COUPLING (ON SOME MODELS)



- A. Household water line
- B. Nut (purchased)
- C. Ferrule (purchased)

DISCRETE COUPLING (ON SOME MODELS)



- A. Household water line
- B. Nut (purchased)
- C. Ferrule (purchased)
- D. Coupling
- E. Bulb
- F. Nut
- G. Refrigerator water tubing

6. Turn on the water supply valve and check all connections for leaks.

PLUG IN REFRIGERATOR

⚠ WARNING



Electrical Shock Hazard

- Plug into a grounded 3 prong outlet.
- Do not remove ground prong.
- Do not use an adapter.
- Do not use an extension cord.
- Failure to follow these instructions can result in death, fire, or electrical shock.

If the supply cord is damaged, it must be replaced by the manufacturer or its service agent or a similar qualified person. Do not use a cord that shows cracks or abrasion damage along its length or at either the plug or connection end.

1. Set control switch at top of cabinet to the OFF position.
2. Plug into a grounded 3 prong outlet.

MOVE REFRIGERATOR TO FINAL LOCATION

⚠ WARNING



Tip Over Hazard

- Refrigerator is top heavy and tips easily when not completely installed.
- Keep doors taped closed until refrigerator is completely installed.
- Use two or more people to move and install refrigerator.
- Failure to do so can result in death or serious injury.

IMPORTANT: To avoid floor damage, make sure levelers are raised (not touching floor) and refrigerator is on rollers before moving.

1. Place top of cardboard carton or plywood under refrigerator. Remove dolly.
2. Do not remove film or cover.
3. Move the refrigerator straight back and evenly into the opening. Be sure that the refrigerator side trims are not interfering with the door opening. Also, be sure that the water tubing is not kinked and the power supply cord is on top of the refrigerator.

LEVEL AND ALIGN REFRIGERATOR

⚠ WARNING



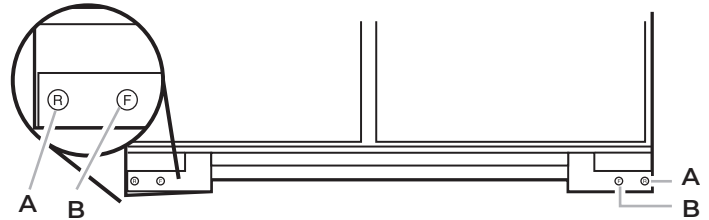
Tip Over Hazard

- Refrigerator is top heavy and tips easily when not completely installed.
- Keep doors taped closed until refrigerator is completely installed.
- Use two or more people to move and install refrigerator.
- Failure to do so can result in death or serious injury.

IMPORTANT: All four leveling legs must contact the floor to support and stabilize the full weight of refrigerator. Rollers are for moving the refrigerator, not for permanent support.

After moving the refrigerator to its final location:

- Use a 5/16" socket driver to turn the leveling bolts clockwise to extend the legs to the floor as shown. The rollers should be off the floor.

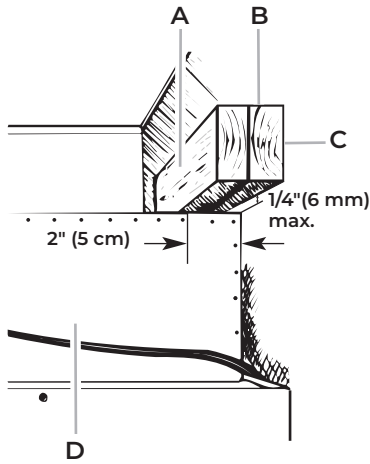


A. Rear leveling bolt
B. Front leveling bolt

4. Adjust the leveling legs to level and align the refrigerator from left to right and front to back so that the refrigerator is level and aligned with the cabinetry. The cabinetry surface must be plumb for the ideal fit of the refrigerator side trim.

- Continue adjusting all of the leveling legs to raise the refrigerator until the top is within at least 1" (2.54 cm) of the top soffit.

NOTE: If an anti-tip board has been used, adjust the leveling legs until the top of the refrigerator is within 1/4" (6.35 mm) of the bottom of the anti-tip board as shown. Do not crush the compressor cover.



- A. Center board 1/4" (6.35 mm) max. above refrigerator
- B. Two 2" x 4" x 3/2" (5 cm x 10 cm x 81 cm) boards
- C. Attach to studs with six #8 x 3" (7.6 cm) screws
- D. Compressor cover

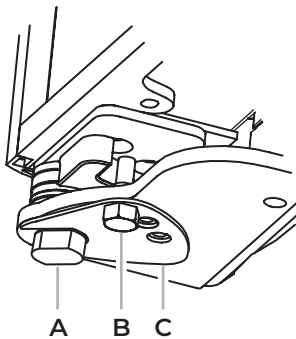
IMPORTANT: Adjust in small increments to keep from damaging the cabinet trim and causing problems with the door alignment or top grille fit. To avoid damage to the cabinet or leveling legs, do not apply more than 50 inch-pounds (5.65 Nm) of torque to the leveling bolts. The leveling legs can be extended to a maximum of 1 1/4" (3.18 cm) below the rollers.

ADJUST DOORS

DOOR HEIGHT ADJUSTMENT

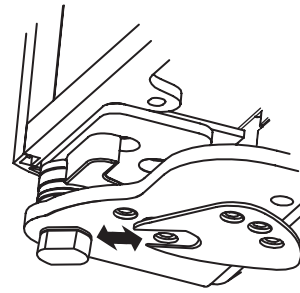
Use the following steps to adjust the door height, up or down, after the doors have been leveled.

- Open the freezer or refrigerator door and locate the bottom hinge.
- Remove the door stop screw from the bottom side of the hinge with a 3/8" open end wrench.



- A. Bushing
- B. Door stop screw
- C. Locking plate

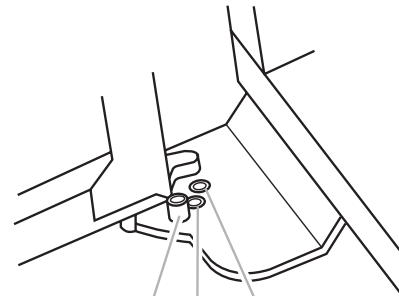
- Remove the locking plate as shown.



- Using a 1/2" open end wrench, turn the bushing located underneath the bottom of the hinge.
 - Turn the bushing to the left to lower the door.
 - Turn the bushing to the right to raise the door.
- After adjusting, check the doors to make sure they are even across the top and bottom. If the doors are not even, continue to turn the bushing to adjust the door height.
- Replace the locking plate.
- Turn the bushing slightly to align the hinge and locking plate screw holes.
- Replace the door stop screw or screws and tighten.
- Recheck to make sure the doors are aligned and even.

DOOR SWING ADJUSTMENT

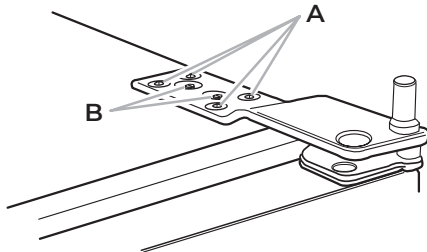
- Check that the refrigerator door can open freely. If the door opens too wide, remove the door stop screw or screws (depending on your model) from the bottom hinge. See "Door Height Adjustment" earlier in this section.
- Hold the door open to a position that is less than 90°.
- Replace the door stop screw or screws in the bottom hinge and tighten.



- A. 130°
- B. 110°
- C. 90°

DOOR-TO-DOOR OR DOOR-TO-REFRIGERATOR TRIM ADJUSTMENT

1. Loosen, but do not remove, the four Torx 27 flat-head mounting screws. Remove and discard the two 1/4" hex-head mounting screws.
2. Adjust the top hinge of either door to align it with the other door or the refrigerator trim.
3. Tighten the four Torx 27 flat-head mounting screws to a torque of approximately 100 inch-pounds (11.3 Nm).



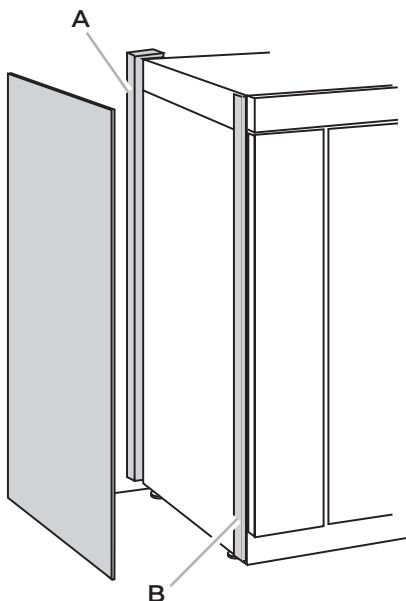
A. Torx 27 flat-head mounting screws
B. 1/4" hex-head mounting screws

INSTALL SIDE PANEL

If the built-in area depth is 25" (63.5 cm) or more, the side panels can be installed inside the side trim or attached to the outside of the side trim.

IMPORTANT: JennAir is not responsible for the removal or addition of molding or decorative panels that would not allow access to the refrigerator for service.

1. For the inside side trim piece, slide the front edge of the routed side panel into the trim piece.
2. Nail the rear edge of the panel to the support board.



A. Support board (mounted to back wall)
B. Cab side trim

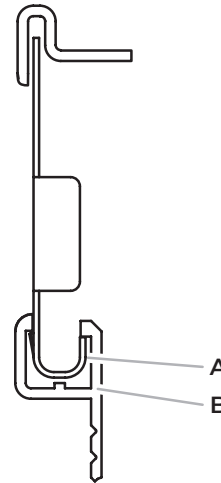
INSTALL BASE GRILLE

There are two pieces to the base grille to allow for a custom fit: the base grille itself and the skirt. The skirt can be added to the base grille in order to extend it all the way to the floor.

1. To see whether the skirt is needed, place the base grille into position. Do not attach the base grille to the refrigerator. Measure the distance between the bottom of the base grille and the floor. The gap must be a minimum of 1/2" (1.27 cm) in order to add the skirt.

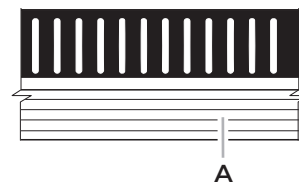
NOTE: If the gap measures less than 1/2" (1.27 cm), skip steps 3 and 4 of the instructions, and install the base grille only.

2. Remove the film from the base grille.
3. Snap the skirt onto the base grille.



A. Base grille
B. Skirt

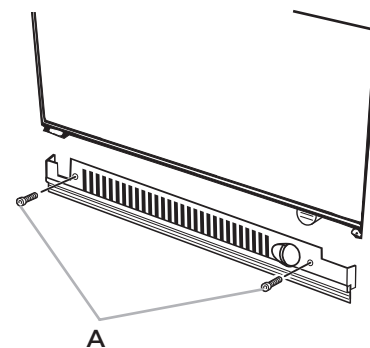
4. Trim the skirt by scoring the proper "V" groove with a utility knife. Break the skirt at the score line.



A. "V" groove

5. Using the two screws, attach the base grille assembly to the refrigerator as shown.

NOTE: Drive in the right side screw first.



A. Screws (2)

COMPLETE INSTALLATION

1. Turn the water supply line valve to the "Open" position.
2. Turn the refrigerator switch to the ON position. See "Power On/Off Switch" in the Use & Care Guide for instructions. Wait a few minutes. Check the water line connections for leaks.
3. Remove all boxes, parts packages and packing materials from the interior of the refrigerator. See the "Cleaning" section in the Use & Care Guide for instructions. Remove the film and cardboard from the grille and doors or door frame, depending on your model.
4. Install the shelves and bins in the refrigerator and freezer compartments.
5. The controls are preset at the factory to the midpoint setting. Make sure the compressor is operating properly and that all the lights are working.
6. Flush the water system before use. See "Water System Preparation."

To get the most efficient use from your new built-in refrigerator, read the Use & Care Guide. Keep Installation Instructions and Use & Care Guide near the built-in refrigerator for easy reference.

WATER SYSTEM PREPARATION

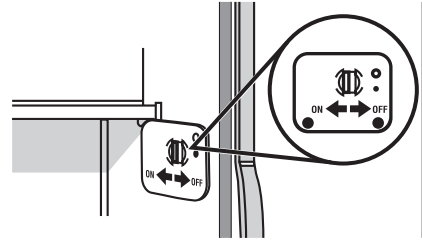
Please read before using the water system.

IMPORTANT: After connecting the refrigerator to a water source or replacing the water filter, follow the steps below to make sure that the water system is properly cleaned. This will flush air from the filter and water dispensing system, and prepare the water filter for use.

Do not use with water that is microbiologically unsafe or of unknown quality without adequate disinfection before or after the system. Systems certified for cyst reduction may be used on disinfected waters that may contain filterable cysts.

NOTE: If your model has a base grille filter system, make sure the base grille filter is properly installed and the cap is in the horizontal position.

1. Open the freezer door and turn off the ice maker. The On/Off switch is located on the top right side of the freezer compartment. Move the switch to the OFF (right) setting as shown.



2. Use a sturdy container to depress and hold the water dispenser lever for 5 seconds, then release it for 5 seconds. Repeat until water begins to flow. Once water begins to flow, continue depressing and releasing the dispenser lever (5 seconds on, 5 seconds off) until a total of 3 gal. (12 L) has been dispensed. This will flush air from the filter and water dispensing system, and prepare the water filter for use. Additional flushing may be required in some households.
3. Open the freezer door and turn on the ice maker. Move the switch to the ON (left) position.

NOTES:

- Allow 24 hours to produce the first batch of ice.
- Discard the first three batches of ice produced.
- Allow 3 days to completely fill ice container.
- Depending on your model, you may want to select the maximum ice feature to increase the production of ice.

INTRODUCTION

SÉCURITÉ DU RÉFRIGÉRATEUR

Votre sécurité et celle des autres est très importante.

Nous donnons de nombreux messages de sécurité importants dans ce manuel et sur votre appareil ménager. Assurez-vous de toujours lire tous les messages de sécurité et de vous y conformer.



Voici le symbole d'alerte de sécurité.

Ce symbole d'alerte de sécurité vous signale les dangers potentiels de décès et de blessures graves à vous et à d'autres.

Tous les messages de sécurité suivront le symbole d'alerte de sécurité et le mot "DANGER" ou "AVERTISSEMENT". Ces mots signifient :

⚠ DANGER

Risque possible de décès ou de blessure grave si vous ne suivez pas immédiatement les instructions.

⚠ AVERTISSEMENT

Risque possible de décès ou de blessure grave si vous ne suivez pas les instructions.

Tous les messages de sécurité vous diront quel est le danger potentiel et vous disent comment réduire le risque de blessure et ce qui peut se produire en cas de non-respect des instructions.

⚠ AVERTISSEMENT



Risque de basculement

Le réfrigérateur est lourd au sommet et bascule facilement lorsqu'il n'est pas complètement installé.

Garder les portes fermées avec un ruban adhésif jusqu'à l'installation complète du réfrigérateur.

Utiliser deux ou plus de personnes pour déplacer et installer le réfrigérateur.

Le non-respect de ces instructions peut causer un décès ou une blessure grave.

VARIANTES ET ACCESSOIRES

MODÈLES DE 42 PO



Conception Euro Style

Comprend des portes en acier inoxydable avec poignées porte-serviettes.

JS42SSDUDE



Conception Pro-Style®

Portes avec habillage en acier inoxydable et poignées Pro-Style® avec surface de saisie à texture gravée (losanges).

JS42PPDUDE

MODÈLES DE 48 PO



Conception Euro Style

Comprend des portes en acier inoxydable avec poignées porte-serviettes.

JS48SSDUDE



Conception Pro-Style®

Portes avec habillage en acier inoxydable et poignées Pro-Style® avec surface de saisie à texture gravée (losanges).

JS48PPDUDE

EXIGENCES D'INSTALLATION

OUTILS ET PIÈCES

IMPORTANT :

- Installateur : Remettre les instructions d'installation au propriétaire.
- Propriétaire : Conserver les instructions d'installation pour référence ultérieure. Conserver ces instructions d'installation pour consultation par l'inspecteur local des installations électriques.

OUTILS REQUIS :

Rassembler les outils et pièces nécessaires avant d'entreprendre l'installation. Lire et observer les instructions fournies avec chacun des outils de la liste ci-dessous.

- | | |
|---------------------------------|--|
| ■ Perceuse sans fil | ■ Tourne-écrou de 11/32 po |
| ■ Forets | ■ Clés à fourche de 3/8 po et 1/2 po |
| ■ Clés à molette (2) | ■ Clé hexagonale de 5/32 po |
| ■ Tournevis cruciforme | ■ Tournevis à douille de 1/4 po et 5/16 po |
| ■ Petit niveau | ■ Ruban à mesurer |
| ■ Chariot pour appareil ménager | ■ Couteau utilitaire |
| ■ Tournevis Torx† T27 | |

Pièces nécessaires :

- Vis à bois n° 8 x 3 po (7,6 cm) (il peut être nécessaire d'utiliser des vis plus longues) (6)
- Planche(s) de bois de 2 po x 4 po x 32 po (5 cm x 10 cm x 81 cm) (1 ou 2)
- Dans le cas d'un raccordement direct de la canalisation d'eau au tube de cuivre et non à un robinet d'arrêt, on doit disposer d'un raccord à compression de 1/4 po (6,35 mm) avec virole et raccord union.

EXIGENCES D'EMPLACEMENT

Le réfrigérateur peut être encastré dans une ouverture entre les armoires ou installé à l'extrémité d'une enfilade d'armoires en utilisant un panneau latéral pour encadrer le réfrigérateur.

⚠ AVERTISSEMENT



Risque d'explosion

Garder les matériaux et les vapeurs inflammables, telle que l'essence, loin du réfrigérateur.

Le non-respect de cette instruction peut causer un décès, une explosion ou un incendie.

IMPORTANT : Cet appareil est destiné à un usage domestique et à d'autres usages similaires comme :

- Espace de cuisine pour personnel de boutiques, bureaux et autres environnements professionnels.
- Résidences fermières et utilisation par les clients d'hôtels, de motels et d'autres types de résidences.

†TORX est une marque déposée d'Acument Intellectual Properties, LLC.

- Environnements de type chambres d'hôtes.
- Banquets et autres utilisations non commerciales semblables.

REMARQUE : Le réfrigérateur est conçu pour être utilisé dans un endroit où la température est comprise entre un minimum de 55 °F (13 °C) et un maximum de 110 °F (43 °C). La plage de température ambiante idéale pour un rendement optimal est comprise entre 60 °F (15 °C) et 90 °F (32 °C). Respecter cette plage de température permet aussi de réduire la consommation d'électricité et d'optimiser l'efficacité du refroidissement. Il est recommandé de ne pas installer le réfrigérateur près d'une source de chaleur comme un four ou un radiateur.

IMPORTANT :

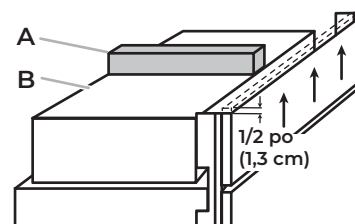
- Observer les dispositions de tous les codes et règlements en vigueur.
- Le plancher doit pouvoir supporter le poids du réfrigérateur, soit plus de 600 lb (272 kg) incluant les panneaux de porte et le contenu du réfrigérateur. Le revêtement de sol sous le réfrigérateur doit se trouver au même niveau que le sol de la pièce. L'avant des armoires doit être d'aplomb.
- L'emplacement doit permettre l'ouverture complète de la porte. Voir la section « Dimensions pour le pivotement des portes ».
- L'emplacement d'installation doit permettre la dépose de la grille supérieure. Voir la section « Dimensions de l'ouverture d'encastrement ».

DIMENSIONS DE L'OUVERTURE

- Pour éviter le basculement pendant l'utilisation, le soffite massif doit se trouver à 1 po (2,5 cm) maximum au-dessus du réfrigérateur. Si le soffite massif se trouve à plus de 1 po (2,5 cm) ou si un soffite n'est pas disponible, le réfrigérateur doit être arrimé. Si des planches antibasculement sont nécessaires, ils doivent être installés sur les montants du mur arrière de sorte que le bas du poteau antibasculement se trouve à 84 po (213 cm) du sol. Voir la section « Installation des planches antibasculement » pour plus d'informations.

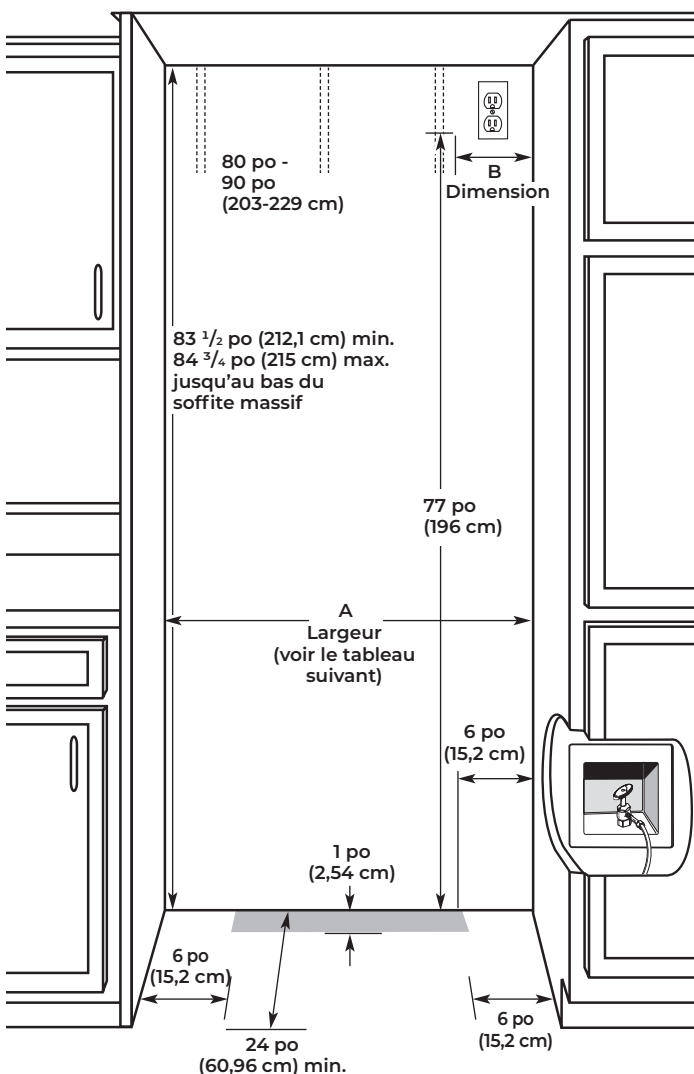
REMARQUES :

- Un dégagement de 1/2 po (1,3 cm) doit être maintenu au-dessus de la grille supérieure pour pouvoir enlever la grille supérieure.
- Ne pas retirer le joint en mousse du sommet du couvercle du compresseur sauf s'il est nécessaire de le retirer pour installer l'appareil sous un soffite. Retirer le joint peut affecter les performances de refroidissement.
- Si l'appareil est installé sous un soffite massif, relever les pieds de nivellement après l'installation pour que le joint soit solidement appuyé contre le soffite.



A. Joint d'étanchéité
B. Couvercle du compresseur

- Une prise électrique à trois broches avec mise à la terre doit être placée à une distance définie des armoires de droite ou du panneau situé à l'extrémité. Voir le tableau sous l'illustration pour connaître le nombre de pouces à respecter pour votre modèle. Voir les « Spécifications électriques » pour plus de renseignements.
- Le robinet d'arrêt d'eau doit être situé dans l'armoire inférieure d'un côté ou l'autre du réfrigérateur, ou à un autre endroit facilement accessible. Si le robinet d'arrêt ne se trouve pas dans les armoires, la plomberie d'arrivée d'eau peut provenir du plancher. Voir les « Spécifications de l'alimentation en eau » pour plus de renseignements.



Modèle	Largeur A (comme indiqué ci-dessus)	Dimension B (comme indiqué ci-dessus)
42	41 1/2 po à 41 3/4 po (105,4 cm à 106,1 cm)	7 1/2 po (19,1 cm)
48	47 1/2 po à 47 3/4 po (120,7 cm à 121,3 cm)	13 1/2 po (34,3 cm)

REMARQUE : Le revêtement de sol sous le réfrigérateur doit se trouver au même niveau que le sol de la pièce. L'avant des armoires doit être d'aplomb.

SPÉCIFICATIONS ÉLECTRIQUES

⚠ AVERTISSEMENT



Risque de choc électrique

Brancher sur une prise à 3 alvéoles reliée à la terre.

Ne pas enlever la broche de liaison à la terre.

Ne pas utiliser un adaptateur.

Ne pas utiliser un câble de rallonge.

Le non-respect de ces instructions peut causer un décès, un incendie ou un choc électrique.

Avant de placer le réfrigérateur à son emplacement final, il est important de s'assurer d'avoir le raccordement électrique approprié.

Si le cordon d'alimentation est endommagé, il doit être remplacé par le fabricant, son agent de service ou toute autre personne également qualifiée. Ne pas utiliser un cordon craquelé ou qui présente des dommages d'abrasion sur la gaine, la fiche ou le connecteur.

MÉTHODE RECOMMANDÉE DE LIAISON À LA TERRE

Un circuit de 115 V CA à 60 Hz relié à la terre et protégé par un fusible de 15 A ou 20 A est requis. Il est recommandé d'utiliser un circuit distinct pour alimenter le réfrigérateur uniquement. Utiliser une prise de courant dont l'alimentation ne peut pas être interrompue par un interrupteur. Ne pas utiliser de rallonge.

IMPORTANT : Si ce produit est connecté à une prise protégée par un disjoncteur de fuite à la terre, un déclenchement intempestif peut se produire et causer une perte de refroidissement. La qualité et la saveur des aliments risquent d'être affectées. Si un déclenchement intempestif se produit et si les aliments semblent de piètre qualité, jeter le tout.

REMARQUE : Avant d'exécuter tout type d'installation ou de nettoyage, retirer la grille supérieure et mettre l'interrupteur général d'alimentation à OFF (arrêt) ou déconnecter le courant au boîtier de disjoncteurs.

Lorsque vous avez terminé, mettre l'interrupteur général d'alimentation à ON (marche) ou rétablir le courant au boîtier de disjoncteurs. Puis placer de nouveau la commande au réglage désiré.

SPÉCIFICATIONS DE L'ALIMENTATION EN EAU

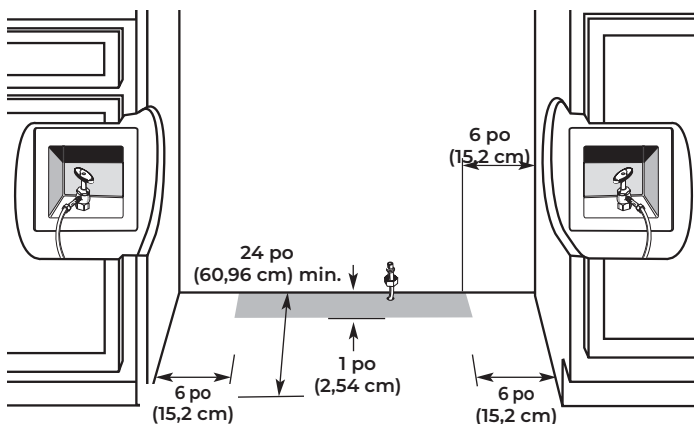
IMPORTANT :

- Toutes les installations doivent être conformes aux exigences des codes locaux de plomberie.
- Brancher sur une alimentation en eau potable uniquement.

Ne pas utiliser pour le filtrage d'une eau microbiologiquement polluée ou de qualité inconnue en l'absence d'un dispositif de désinfection adéquat avant ou après le système. Les systèmes certifiés pour la réduction de kyste peuvent être utilisés pour l'eau désinfectée qui peut contenir des kystes filtrables.

- Le robinet d'arrêt d'eau doit être situé dans l'armoire inférieure d'un côté ou l'autre du réfrigérateur, ou à un autre endroit facilement accessible. La canalisation d'alimentation en eau, cependant, doit traverser le plancher à l'endroit de la zone grisée, comme illustré.

REMARQUE : Si le robinet d'arrêt d'eau se trouve dans la paroi arrière derrière le réfrigérateur, il doit être incliné afin que le tube ne soit pas plié lorsque le réfrigérateur est poussé à son emplacement final.



- Si le robinet d'arrêt ne se trouve pas dans les armoires, la plomberie d'arrivée d'eau peut provenir du plancher. Un trou de 1/2 po (12,7 mm) pour la plomberie doit être percé à 6 po (15,2 cm) minimum de l'armoire de gauche ou de droite ou du panneau. Sur le plancher, le trou ne doit pas se trouver à plus de 1 po (2,54 cm) du mur arrière. Voir la section « Raccordement de la canalisation d'eau. »
- Si un tube supplémentaire est nécessaire, utiliser un tube en cuivre et vérifier s'il y a des fuites. Installer les tuyaux en cuivre seulement là où les températures domestiques resteront au-dessus du point de congélation.
- Ne pas employer de robinet d'arrêt à étrier de 3/16 po (4,76 mm) ou de type à percer – ils réduisent le débit d'eau et s'obstruent aussi plus facilement.

REMARQUE : Votre marchand de réfrigérateurs propose une trousse avec un robinet d'arrêt à étrier de 1/4 po (6,35 mm), un raccord et un tube en cuivre. Avant d'en faire l'achat, s'assurer que le robinet d'arrêt à étrier est conforme aux codes locaux de plomberie.

PRESSION D'EAU

Une alimentation en eau froide avec une pression entre 30 et 120 lb/po² (207 et 827 kPa) est nécessaire pour faire fonctionner le distributeur d'eau et la machine à glaçons. Pour toute question au sujet de la pression de l'eau, faire appel à un plombier qualifié agréé.

REMARQUE : Si la pression en eau est inférieure aux critères minimaux, le débit du distributeur d'eau pourrait diminuer ou entraîner la formation de glaçons creux ou de forme irrégulière. Pour toute question au sujet de la pression de l'eau, faire appel à un plombier qualifié agréé.

Alimentation en eau par osmose inverse

IMPORTANT : La pression de l'alimentation en eau entre le système d'osmose inverse et le robinet d'arrivée d'eau du réfrigérateur doit être entre 30 et 120 lb/po² (207 et 827 kPa).

Si un système de filtration de l'eau par osmose inverse est raccordé à votre alimentation en eau froide, la pression de l'eau au système doit être d'un minimum de 40 à 60 lb/po² (276 à 414 kPa).

Si la pression d'eau au système de filtration par osmose inverse est inférieure à 276 - 414 kPa (40 - 60 lb/po²) :

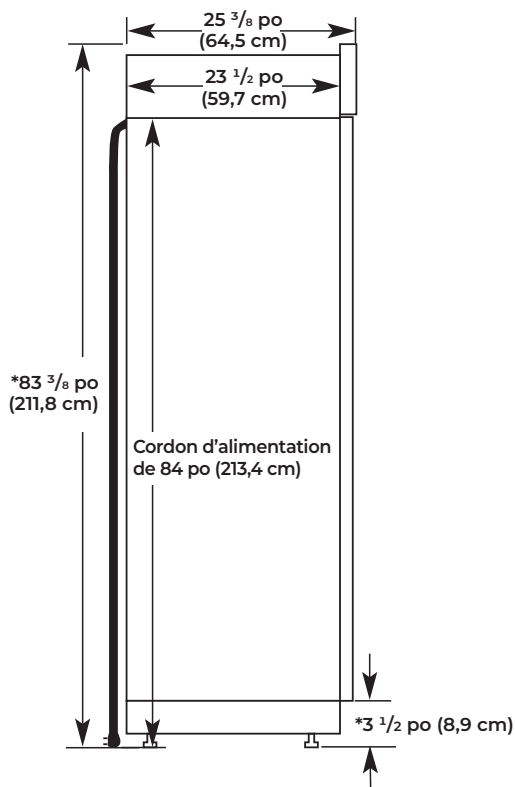
- Vérifier que le filtre à sédiment dans le système à osmose inverse n'est pas obstrué. Remplacer le filtre si nécessaire.
- Laisser le réservoir du système d'osmose inverse se remplir après une utilisation intense.
- Si le réfrigérateur comporte un filtre à eau, celui-ci peut réduire la pression de l'eau lorsqu'il est utilisé avec un système d'osmose inverse. Enlever la cartouche de filtre à eau.

Pour toute question au sujet de la pression de l'eau, faire appel à un plombier qualifié agréé.

DIMENSIONS DU PRODUIT

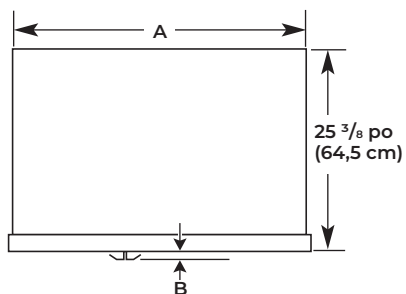
VUE LATÉRALE

- La profondeur de l'avant de la grille supérieure à l'arrière de la caisse du réfrigérateur est de $25 \frac{3}{8}$ po (64,5 cm).
- La longueur du cordon d'alimentation est de 84 po (213 cm).
- La canalisation d'eau fixée à l'arrière du réfrigérateur mesure 5 pi (1,5 m) de long.
- Les dimensions de hauteur indiquées correspondent à la situation où les pieds de nivellement déployés dépassent de $\frac{1}{8}$ po (3 mm) au-dessous des roulettes.



*Lorsque les pieds de nivellement sont totalement déployés de $1 \frac{1}{4}$ po (3,2 cm) au-dessous des roulettes, ajouter $1 \frac{1}{8}$ po (2,9 cm) à la hauteur totale.

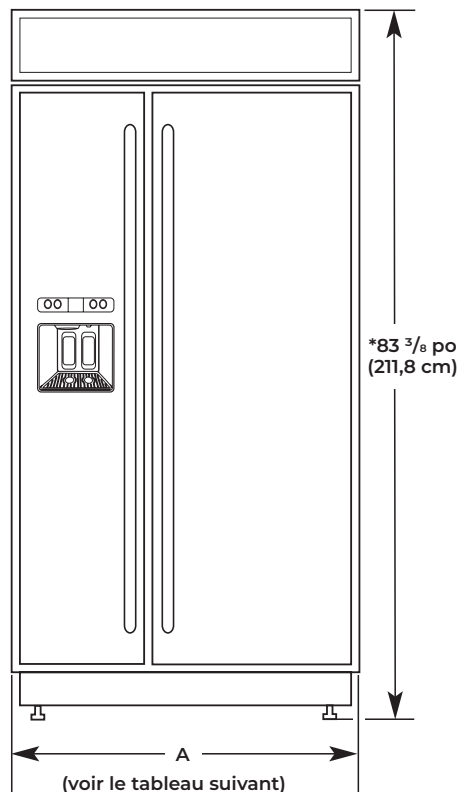
VUE DE DESSUS



Modèle	A	B
42 Euro-Style	41 po (104,1 cm)	$2 \frac{1}{8}$ po (5,3 cm)
48 Euro-Style	47 po (119,4 cm)	$2 \frac{1}{8}$ po (5,3 cm)
42 Pro-Style®	41 po (104,1 cm)	$2 \frac{6}{8}$ po (6,67 cm)
48 Pro-Style®	47 po (119,4 cm)	$2 \frac{6}{8}$ po (6,67 cm)

VUE DE FACE

- Les dimensions de largeur ont été mesurées d'un bord à l'autre de la garniture extérieure à garniture extérieure.
- Les dimensions de hauteur indiquées correspondent à la situation où les pieds de nivellement déployés dépassent de $\frac{1}{8}$ po (3 mm) au-dessous des roulettes.



Modèle	Rayon de basculement A
42	$42 \frac{5}{16}$ po (107,5 cm)
48	$48 \frac{3}{8}$ po (122,8 cm)

*Lorsque les pieds de nivellement sont totalement déployés de $1 \frac{1}{4}$ po (3,2 cm) au-dessous des roulettes, ajouter $1 \frac{1}{8}$ po (2,9 cm) à la hauteur totale.

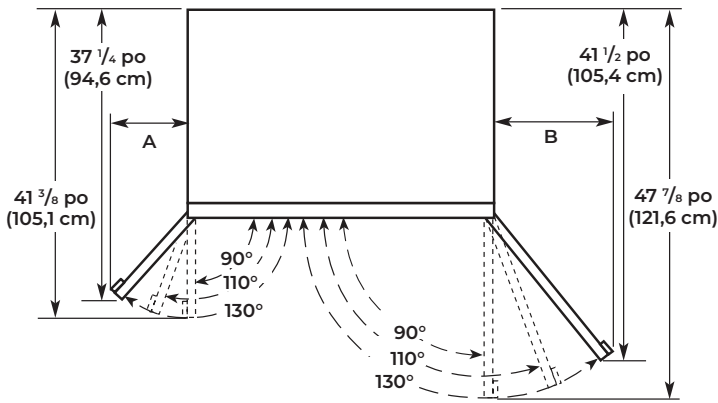
DIMENSIONS POUR L'OUVERTURE DES PORTES

L'emplacement d'installation doit permettre l'ouverture des deux portes à un angle minimal de 90° . Laisser un espace libre d'au moins $4 \frac{1}{2}$ po (11,4 cm) entre le côté du réfrigérateur et un mur d'angle.

REMARQUE : Un dégagement plus grand peut être nécessaire si l'on utilise des panneaux décoratifs, des poignées personnalisées ou des poignées de plus grande profondeur.

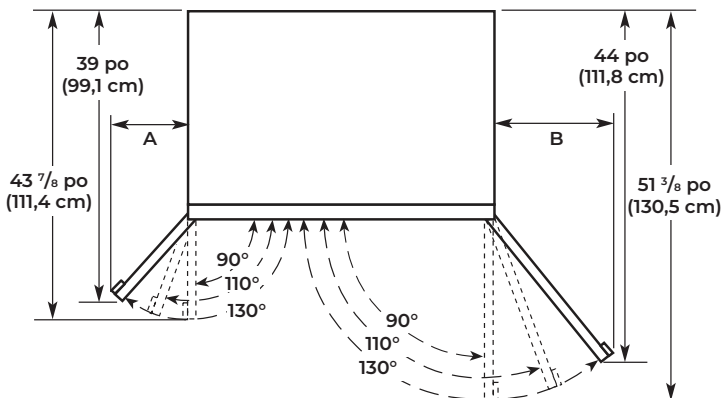
Pour ajuster l'ouverture des portes, voir la section « Ajustement des portes ».

MODÈLES DE 42 PO (106,7 CM)



Modèle	A	B
Pro-Style®	10 3/4 po (27,11 cm)	14 1/4 po (36,11 cm)
Euro	10 1/4 po (25,87 cm)	13 3/4 po (34,88 cm)

MODÈLES DE 48 PO (121,9 CM)



Modèle	A	B
Pro-Style®	12 3/16 po (30,84 cm)	16 1/4 po (41,16 cm)
Euro	11 5/8 po (29,43 cm)	15 11/16 po (39,75 cm)

PANNEAUX LATÉRAUX PERSONNALISÉS

Les panneaux latéraux personnalisés peuvent être nécessaires lorsqu'il n'y a pas suffisamment d'espace pour avoir des armoires des deux côtés du réfrigérateur ou lorsque le réfrigérateur est placé à l'extrémité d'une enfilade d'armoires.

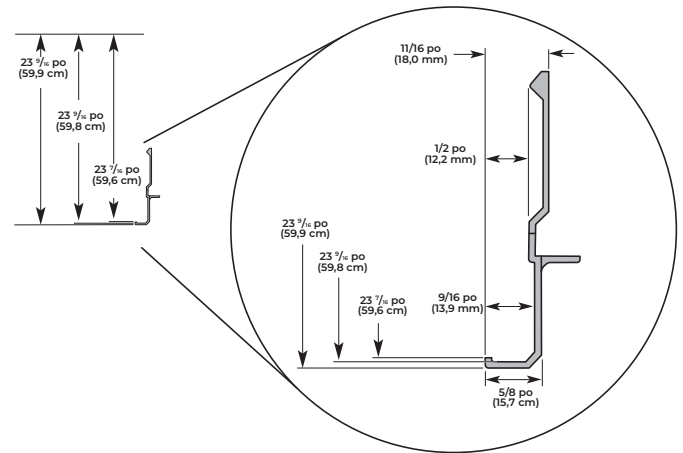
DIMENSIONS DU RÉFRIGÉRATEUR ET DES GARNITURES LATÉRALES

La largeur et la hauteur du panneau latéral sont déterminées en fonction du type d'installation prévu.

REMARQUES :

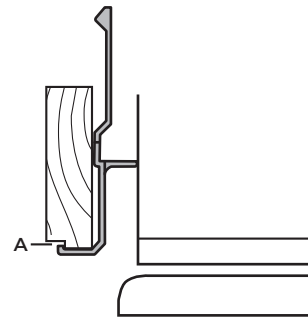
- Les dimensions indiquées sont les dimensions réelles du produit et ne peuvent pas refléter les dimensions nécessaires d'installation des panneaux.
- Le panneau latéral doit avoir une épaisseur minimale d'au moins 1/2 po (1,27 cm) pour éviter le gauchissement.
- Si la profondeur de l'ouverture est de 25 po (63,5 cm) ou plus, l'on peut souhaiter peut-être installer une planche d'appui sur le mur arrière.

GARNITURES LATÉRALES



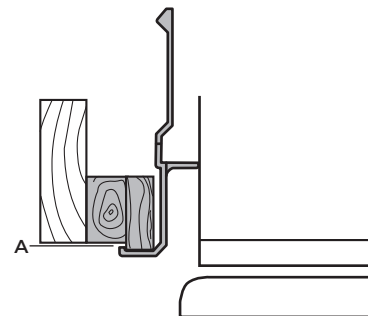
DIMENSIONS D'INSTALLATION (OPTION 1)

1. Mesurer la distance du point A (comme illustré) à la paroi arrière. Ajouter 1/16 po (1,6 mm) à cette mesure pour le que panneau latéral entre dans la garniture.
2. Si le panneau a plus de 5/16 po (8,7 mm) d'épaisseur, usiner la rive avant du panneau latéral pour que l'insertion soit possible.



DIMENSIONS D'INSTALLATION (OPTION 2)

1. Mesurer la distance du point A (comme illustré) à la paroi arrière.
2. Usiner la rive avant de la planche d'appui ou installer une planchette de 3/8 po (9,5 mm) pour la rétention du panneau dans la garniture latérale de la caisse.



INSTRUCTIONS D'INSTALLATION

DÉBALLAGE DU RÉFRIGÉRATEUR

⚠ AVERTISSEMENT



Risque de basculement

Le réfrigérateur est lourd au sommet et bascule facilement lorsqu'il n'est pas complètement installé.

Garder les portes fermées avec un ruban adhésif jusqu'à l'installation complète du réfrigérateur.

Utiliser deux ou plus de personnes pour déplacer et installer le réfrigérateur.

Le non-respect de ces instructions peut causer un décès ou une blessure grave.

IMPORTANT :

- Ne pas ôter la pellicule de couverture avant que le réfrigérateur ne se trouve à son emplacement d'utilisation.
 - Les quatre roulettes doivent toucher le plancher pour supporter et stabiliser le poids total du réfrigérateur.
 - Garder la pièce de carton ou de contreplaqué d'expédition sous le réfrigérateur jusqu'à son installation à l'emplacement final.
1. Retirer et conserver le sachet de documents fixé à l'aide de ruban adhésif sur le côté du réfrigérateur et le sachet de pièces derrière la grille. Enlever les quatre brides (deux de chaque côté) fixant la base utilisée pour l'expédition au bas du réfrigérateur.
REMARQUE : Ne pas enlever les rubans adhésifs et articles d'arrimage des portes avant que le réfrigérateur ne soit placé à son emplacement d'installation final.
 2. Si nécessaire, réduire le rayon de basculement. Au sujet des critères à respecter pour la hauteur sous plafond, voir la section « Rayon de basculement », ou voir les instructions détaillées à la section « Réduction du rayon de basculement ». S'il n'est pas nécessaire de réduire le rayon de basculement, passer à la section « Transporter le réfrigérateur dans la maison ».

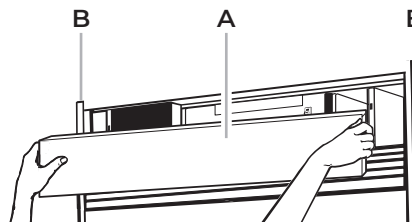
RÉDUIRE LE RAYON DE BASCULEMENT (LE CAS ÉCHÉANT)

Avant d'apporter le réfrigérateur dans le domicile, s'assurer que la hauteur du plafond est suffisante pour mettre le réfrigérateur en position verticale. Voir le point « Rayon de basculement » dans la section « Exigences d'installation » pour plus d'information.

Si la hauteur du plafond n'est pas suffisante pour mettre le réfrigérateur debout, le rayon de basculement peut être réduit en enlevant la grille supérieure et les garnitures latérales (voir le tableau suivant).

Modèle	Rayon de basculement réduit
42	90 1/2 po (229,9 cm)
48	91 1/4 po (231,8 cm)

1. Saisir les deux extrémités de la grille supérieure.
2. Pousser la grille supérieure tout droit vers le haut; puis tout droit vers l'extérieur. Placer la grille sur une surface protégée.



A. Grille supérieure
B. Garniture latérale de la caisse

3. Enlever les 6 vis fixant chaque garniture latérale de la caisse au réfrigérateur et enlever les garnitures latérales.

DÉPLACEMENT DU RÉFRIGÉRATEUR DANS LE DOMICILE

⚠ AVERTISSEMENT



Risque de basculement

Le réfrigérateur est lourd au sommet et bascule facilement lorsqu'il n'est pas complètement installé.

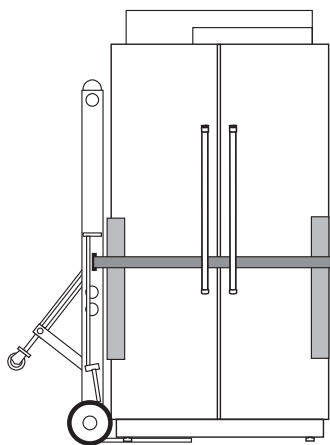
Garder les portes fermées avec un ruban adhésif jusqu'à l'installation complète du réfrigérateur.

Utiliser deux ou plus de personnes pour déplacer et installer le réfrigérateur.

Le non-respect de ces instructions peut causer un décès ou une blessure grave.

1. Introduire un chariot de manipulation sous le côté gauche du réfrigérateur, comme illustré. À cette fin, placer les cornières de l'emballage par-dessus les garnitures et poignées afin d'éviter des dommages. Serrer lentement la sangle.

REMARQUE : Passer la sangle sous les poignées.



2. Placer des bouts du carton d'expédition sur le plancher lorsqu'on fait rouler le chariot et le réfrigérateur pour les faire entrer dans le domicile. Approcher le réfrigérateur près de l'ouverture d'encastrement.
3. Placer le dessus du carton ou du contreplaqué sous le réfrigérateur.
4. Mettre le réfrigérateur en position verticale. Placer d'abord le bord inférieur gauche du réfrigérateur sur le plancher, puis mettre le réfrigérateur debout et abaisser ensuite le côté droit du réfrigérateur sur le plancher.
5. Réinstaller la garniture et la grille supérieure après avoir retiré le chariot du réfrigérateur.

INSTALLATION DE PLANCHES ANTIBASCULEMENT

IMPORTANT :

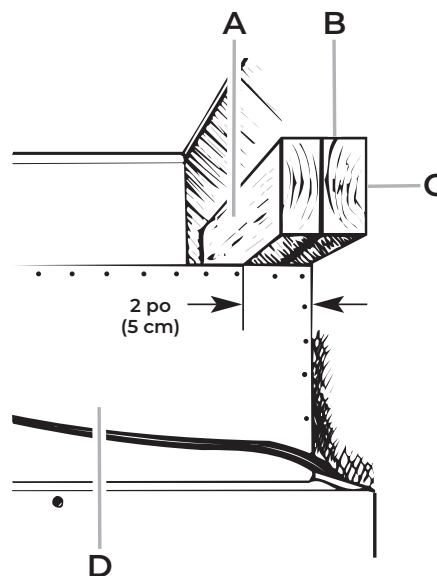
- Pour éviter le basculement pendant l'utilisation, le soffite massif doit se trouver à 1 po (2,5 cm) maximum au-dessus du réfrigérateur. Si le soffite massif se trouve à plus de 1 po (2,5 cm) ou si un soffite n'est pas disponible, le réfrigérateur doit être arrimé.
- On recommande la mise en place d'une ou de plusieurs planches avant l'installation du réfrigérateur.
- Il faut que la ou les planches soient assez longues pour recouvrir complètement le couvercle du compresseur sur toute la largeur.
- Positionner la ou les planches de telle manière que la surface inférieure se trouve à 84 po (213 cm) du plancher.
- Durant l'installation, soulever le réfrigérateur pour que la distance résiduelle entre le sommet du réfrigérateur et la surface intérieure de la ou des planches antibasculement se trouve à une distance maximale de 1/4 po (6,35 mm). Veiller à ne pas écraser le couvercle du compresseur lors du soulèvement des pieds de nivellement arrière.

REMARQUE : Le joint en mousse sur le sommet du couvercle du compresseur se comprimera pour tenir sous la ou les planches antibasculement. Il n'est pas nécessaire de découper le joint.

INSTALLATION DES PLANCHES ANTIBASCULEMENT

1. Marquer les emplacements des montants sur le mur arrière.

2. Fixer solidement deux planches de 2 x 4 x 32 po (5 cm x 10 cm x 81 cm) sur les montants muraux derrière le réfrigérateur. Utiliser 6 vis à bois n° 8 x 3 po (7,6 cm) ou plus longues. Les vis à bois doivent pénétrer dans les montants d'au moins 1 1/2 po (3,8 cm). Les planches doivent être placées en chevauchement sur le couvercle du compresseur.



- A. Centrer la planche au-dessus du réfrigérateur à une distance maximale de 1/4 po (6,35 mm)
B. Deux planches de 2 po x 4 po x 32 po (5 cm x 10 cm x 81 cm)
C. Fixer aux montants avec six vis n° 8 x 3 po (7,6 cm)
D. Couvercle du compresseur

RACCORDEMENT À LA CANALISATION D'EAU

Lire toutes les instructions avant de commencer.

IMPORTANT :

- Si on doit mettre en marche le réfrigérateur avant que la canalisation d'eau ne soit connectée, placer la machine à glaçons à arrêt.
- Brancher sur une alimentation en eau potable uniquement.

Ne pas utiliser pour le filtrage d'une eau microbiologiquement polluée ou de qualité inconnue en l'absence d'un dispositif de désinfection adéquat avant ou après le système. Les systèmes certifiés pour la réduction de kyste peuvent être utilisés pour l'eau désinfectée qui peut contenir des kystes filtrables.

RACCORDEMENT À LA CANALISATION D'EAU PIÈCES NÉCESSAIRES

- Canalisation flexible d'alimentation en eau homologuée conformément aux codes en vigueur de 7 pi (2,13 m)

STYLE 1 - CONNEXION AVEC ROBINET D'ARRÊT

REMARQUE : Si le raccordement de la canalisation d'eau ne ressemble pas au Style 1, voir « Style 2 – Raccordement de la canalisation en cuivre ».

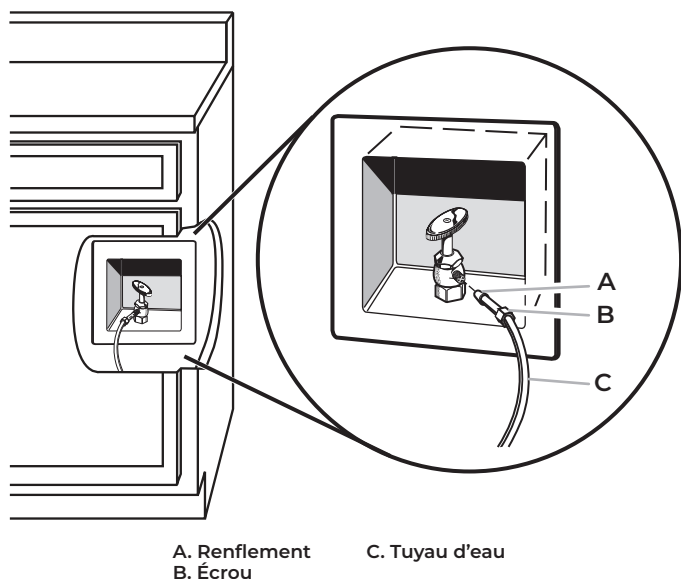
1. Débrancher le réfrigérateur ou déconnecter la source de courant électrique.

IMPORTANT :

- Si un robinet d'arrêt se trouve dans un mur situé derrière le réfrigérateur, il n'y a pas suffisamment d'espace pour une installation en affleurement. Le robinet d'arrêt devrait se trouver dans l'armoire

inférieure, d'un côté ou l'autre du réfrigérateur.

- Avant de raccorder le tube au robinet d'arrêt, rincer la canalisation d'eau principale pour éliminer l'air et les débris qui s'y trouvent. Laisser s'écouler une quantité d'eau suffisante, jusqu'à ce qu'elle soit limpide. Le rinçage de la canalisation d'eau peut permettre d'éviter l'obstruction des filtres ou celle des robinets.
2. Raccorder la canalisation flexible d'alimentation en eau homologuée conformément aux codes en vigueur au robinet d'arrêt en enfilant l'écrou fourni sur le robinet d'arrêt, comme illustré.



3. Placer l'extrémité du tube dans un seau et OUVRIRE le robinet d'arrêt.
4. Vérifier qu'il n'y a pas de fuites. Si des fuites sont identifiées, resserrer tous les écrous ou connexions concernés (y compris les connexions au niveau du robinet).

STYLE 2 - RACCORDEMENT DE LA CANALISATION D'EAU

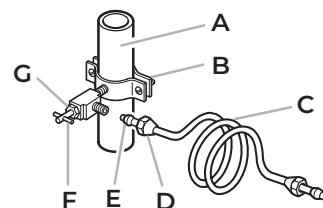
REMARQUE : S'il y a une canalisation d'alimentation en eau qui satisfait aux exigences des « Exigences d'alimentation en eau », passer à « Raccordement au réfrigérateur ». Si ce n'est pas le cas, utiliser les instructions suivantes pour le raccordement à l'alimentation d'eau froide du domicile.

1. Débrancher le réfrigérateur ou déconnecter la source de courant électrique.
2. COUPER l'alimentation principale en eau. OUVRIRE le robinet le plus proche assez longtemps pour vider l'eau du tuyau.
3. Identifier une canalisation d'eau froide verticale de 1/2 po à 1 1/4 po (1,3 cm à 3,18 cm) à proximité du réfrigérateur.

IMPORTANT :

- Vérifier qu'il s'agit d'une canalisation d'eau froide.
- On peut aussi utiliser une canalisation horizontale; dans ce cas, on devra percer sur la face supérieure du tuyau et non pas au-dessous. Ceci permet de tenir la perceuse à l'écart de l'eau et d'empêcher les sédiments qu'on trouve normalement dans l'eau de s'accumuler dans le robinet d'arrêt.

4. Déterminer la longueur de tube de cuivre à utiliser. Mesurer depuis le point de connexion sur le réfrigérateur à la canalisation d'eau. Ajouter 2,1 m (7 pi) pour permettre les opérations de nettoyage. Utiliser un tube en cuivre de 1/4 po (6,35 mm) de diamètre extérieur. Veiller à ce que le tube soit coupé d'équerre aux deux extrémités.
5. À l'aide d'une perceuse sans fil, percer un trou de 1/4 po (6,35 mm) dans la canalisation d'eau froide sélectionnée.



- A. Canalisation d'eau froide
B. Bride de tuyau
C. Tube en cuivre
D. Écrou de compression
E. Bague de compression
F. Robinet d'arrêt
G. Écrou de serrage

6. Fixer le robinet d'arrêt sur la canalisation d'eau froide avec la bride de tuyau. Veiller à bien insérer l'extrémité de sortie dans le trou de 1/4 po (6,35 mm) de la canalisation d'eau; veiller à placer correctement le joint sous la bride du tuyau. Serrer l'écrou de serrage. Serrer lentement et uniformément les vis fixant la bride de tuyau sur le tuyau afin d'assurer l'étanchéité du joint. Ne pas serrer excessivement.

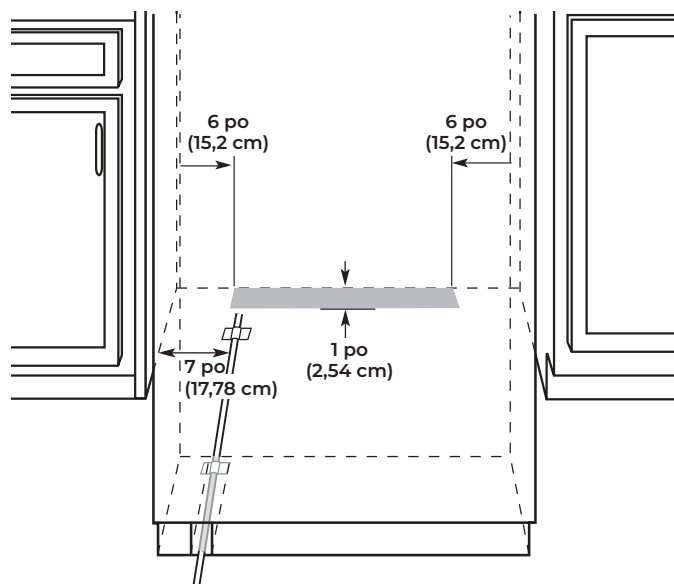
IMPORTANT : Avant de raccorder le tube au robinet d'arrêt, rincer la canalisation d'eau principale pour éliminer l'air et les débris qui s'y trouvent. Laisser s'écouler une quantité d'eau suffisante, jusqu'à ce qu'elle soit limpide. Le rinçage de la canalisation d'eau peut permettre d'éviter l'obstruction des filtres ou celle des robinets.

7. Enfiler la bague et l'écrou de compression sur le tube en cuivre comme illustré. Insérer l'extrémité du tube directement dans l'extrémité de sortie, aussi loin que possible. Visser l'écrou de compression sur l'extrémité de sortie du raccord à l'aide d'une clé à molette. Ne pas serrer excessivement la bride ou la bague. Ceci provoquera l'écrasement du tube de cuivre.
8. Fermer le robinet d'arrêt de la canalisation d'eau. Lover le tube de cuivre.
9. Raccorder la canalisation flexible d'alimentation en eau homologuée conformément aux codes en vigueur au robinet d'arrêt en enfilant l'écrou fourni sur le robinet d'arrêt.
10. Placer l'extrémité du tube dans un seau et OUVRIRE le robinet d'arrêt.
11. Inspecter pour rechercher des fuites au niveau du robinet d'arrêt à étrier. Si des fuites sont identifiées, resserrer tous les écrous ou connexions concernés (y compris les connexions au niveau du robinet).

RACCORDEMENT AU RÉFRIGÉRATEUR

Pièces fournies

- Raccord mâle-mâle 1/4 po – 1/4 po (6,35 mm – 6,35 mm) (sur certains modèles)



REMARQUE : La canalisation flexible d'alimentation en eau, homologuée conformément aux codes en vigueur, doit être raccordée à la vanne d'alimentation par le sol.

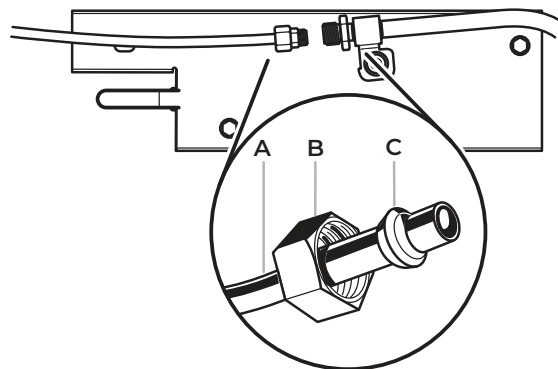
1. Débrancher le réfrigérateur ou déconnecter la source de courant électrique.
2. Raccorder le tube flexible de 7 pi (2,13 m) homologué conformément aux codes en vigueur au robinet d'alimentation en eau.
3. Rincer la canalisation d'alimentation en eau principale pour éliminer les particules et l'air présents dans la canalisation d'eau. Laisser s'écouler une quantité d'eau suffisante, jusqu'à ce qu'elle soit limpide.
4. Avec du ruban adhésif, fixer la canalisation flexible d'alimentation en eau approuvée par les codes en vigueur de 7 pi (2,13 m) au plancher, à 7 po (17,78 cm) du côté gauche du réfrigérateur. La fixer le long du tube; ceci lui permet ainsi de passer sous le réfrigérateur sans rencontrer d'obstacle.

REMARQUE : Laisser pendre un minimum de 26 po (66,04 cm) de la canalisation flexible d'alimentation en eau approuvée par les codes en vigueur à l'avant du réfrigérateur pour le raccordement au réfrigérateur.

5. Raccorder la canalisation flexible d'alimentation en eau approuvée par les codes en vigueur de 7 pi (2,13 m) au réfrigérateur.

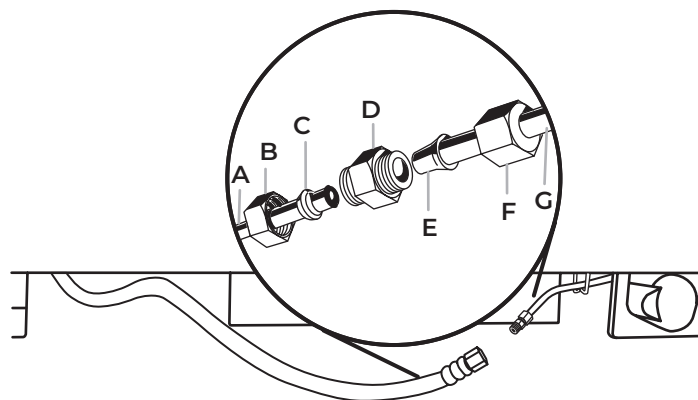
REMARQUE : Si le robinet d'arrêt principal se trouve derrière le réfrigérateur, un deuxième robinet d'arrêt peut être installé en ligne directe avec la canalisation d'alimentation en eau, à l'avant du produit.

RACCORD PAR DESSUS LE SURMOULAGE (SUR CERTAINS MODÈLES)



A. Canalisation d'eau du domicile
B. Écrou (à acheter)
C. Virole (à acheter)

RACCORD DISCRET (SUR CERTAINS MODÈLES)



A. Canalisation d'eau du domicile
B. Écrou (à acheter)
C. Virole (à acheter)
D. Raccord
E. Renflement
F. Écrou
G. Tuyau d'eau du réfrigérateur

6. Ouvrir l'alimentation en eau et inspecter tous les raccords pour identifier toute fuite éventuelle.

BRANCHER LE RÉFRIGÉRATEUR

⚠ AVERTISSEMENT



Risque de choc électrique

- Brancher sur une prise à 3 alvéoles reliée à la terre.
- Ne pas enlever la broche de liaison à la terre.
- Ne pas utiliser un adaptateur.
- Ne pas utiliser un câble de rallonge.
- Le non-respect de ces instructions peut causer un décès, un incendie ou un choc électrique.

Si le cordon d'alimentation est endommagé, il doit être remplacé par le fabricant, son agent de service ou toute autre personne également qualifiée. Ne pas utiliser un cordon craquelé ou qui présente des dommages d'abrasion sur la gaine, la fiche ou le connecteur.

- Régler la commande sur la partie supérieure de la caisse à la position OFF (arrêt).
- Brancher l'appareil sur une prise à 3 alvéoles reliée à la terre.

DÉPLACEMENT DU RÉFRIGÉRATEUR À SON EMPLACEMENT DÉFINITIF

⚠ AVERTISSEMENT



Risque de basculement

- Le réfrigérateur est lourd au sommet et bascule facilement lorsqu'il n'est pas complètement installé.
- Garder les portes fermées avec un ruban adhésif jusqu'à l'installation complète du réfrigérateur.
- Utiliser deux ou plus de personnes pour déplacer et installer le réfrigérateur.
- Le non-respect de ces instructions peut causer un décès ou une blessure grave.

IMPORTANT : Avant de déplacer le réfrigérateur, vérifier que les pieds sont relevés (aucun contact avec le plancher) et que le réfrigérateur repose sur ses roulettes afin d'éviter d'endommager le plancher.

- Placer le dessus du carton ou du contreplaqué sous le réfrigérateur. Retirer le chariot.
- Ne pas ôter la pellicule ou le couvercle.
- Replacer le réfrigérateur en ligne droite dans l'ouverture; le placer de façon à ce que les dégagements autour de l'appareil soient uniformes.

Veiller à ce que les garnitures latérales du réfrigérateur n'interfèrent pas avec l'ouverture de la porte. S'assurer également que la canalisation d'arrivée d'eau n'est pas déformée et que le cordon d'alimentation électrique se trouve sur le dessus du réfrigérateur.

RÉGLAGE DE L'APLOMB ET ALIGNEMENT DU RÉFRIGÉRATEUR

⚠ AVERTISSEMENT



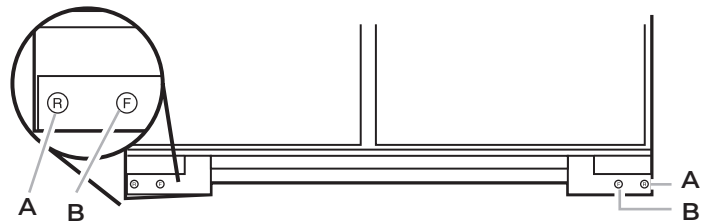
Risque de basculement

- Le réfrigérateur est lourd au sommet et bascule facilement lorsqu'il n'est pas complètement installé.
- Garder les portes fermées avec un ruban adhésif jusqu'à l'installation complète du réfrigérateur.
- Utiliser deux ou plus de personnes pour déplacer et installer le réfrigérateur.
- Le non-respect de ces instructions peut causer un décès ou une blessure grave.

IMPORTANT : Les quatre roulettes doivent toucher le plancher pour supporter et stabiliser le poids total du réfrigérateur. Les roulettes ne sont utilisées que pour le déplacement du réfrigérateur, et non pas pour un soutien permanent.

Après avoir déplacé le réfrigérateur jusqu'à sa position de service finale :

Utiliser un tournevis à douille de 5/16 po pour faire tourner les boulons de réglage de l'aplomb dans le sens horaire et déployer les pieds vers le plancher (voir illustration). Les roulettes ne doivent plus être en contact avec le plancher.

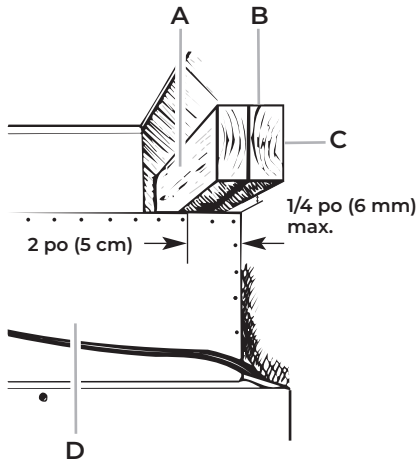


A. Boulon d'ajustement de l'aplomb (arrière)
B. Boulon d'ajustement de l'aplomb (avant)

- Ajuster les pieds de réglage de l'aplomb et établir l'aplomb du réfrigérateur de gauche à droite et avant/arrière de façon à ce qu'il soit d'aplomb et aligné avec l'armoire. La surface de l'armoire doit être verticale pour une insertion parfaite de la garniture latérale du réfrigérateur.

- Ajuster tous les pieds de réglage de l'aplomb pour soulever le réfrigérateur jusqu'à ce que la partie supérieure se situe à au moins 1 po (2,54 cm) du soffite supérieur.

REMARQUE : Si une planche antibasculement a été utilisée, ajuster les pieds de réglage de l'aplomb jusqu'à ce que la partie supérieure du réfrigérateur se situe à 1/4 po (6,35 mm) du bas de la planche antibasculement (voir illustration). Ne pas écraser le couvercle du compresseur.



- Centrer la planche au-dessus du réfrigérateur à une distance maximale de 1/4 po (6,35 mm)
- Deux planches de 2 po x 4 po x 32 po (5 cm x 10 cm x 81 cm)
- Fixer aux montants avec six vis n° 8 x 3 po (7,6 cm)
- Couvercle du compresseur

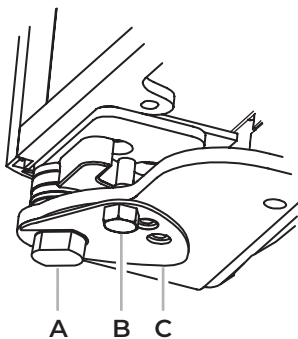
IMPORTANT : Ajuster par petits à-coups pour éviter d'endommager la garniture de l'armoire et causer des problèmes d'alignement de la porte ou d'insertion de la grille supérieure. Pour éviter d'endommager l'armoire ou les pieds de réglage de l'aplomb, ne pas appliquer sur les boulons un couple supérieur à 50 lb-po (5,65 Nm). Les pieds de réglage de l'aplomb peuvent être déployés à un maximum de 1 1/4 po (3,18 cm) au-dessous des roulettes.

AJUSTEMENT DES PORTES

RÉGLAGE DE LA HAUTEUR DE LA PORTE

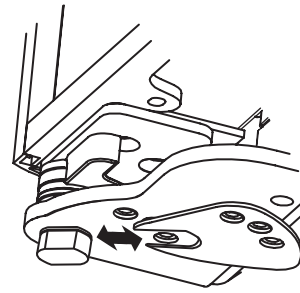
Suivre les étapes suivantes pour ajuster la hauteur des portes vers le haut ou vers le bas, après que les portes ont été mises d'aplomb.

- Ouvrir la porte du congélateur ou du réfrigérateur et repérer la charnière inférieure.
- Ôter la vis de la plaque de verrouillage sur la face inférieure de la charnière à l'aide d'une clé à fourche de 3/8 po.



- Bague
- Vis de butée de porte
- Plaque de verrouillage

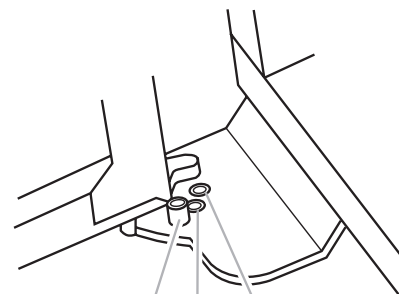
- Enlever la plaque de verrouillage comme illustré.



- À l'aide d'une clé à fourche de 1/2 po, tourner la bague située sous le bas de la charnière.
 - Tourner la bague vers la gauche pour abaisser la porte.
 - Tourner la bague vers la droite pour relever la porte.
- Après le réglage, contrôler le bon ajustement des portes : niveau identique en haut et en bas. Si les portes ne sont pas égales, continuer de tourner la bague pour ajuster la hauteur de la porte.
- Réinstaller la plaque de verrouillage.
- Tourner légèrement la bague pour aligner les trous de vis de la charnière et de la plaque de verrouillage.
- Réinstaller la ou les vis de la butée de porte et serrer.
- Procéder à une vérification finale pour s'assurer que les portes sont alignées et égales.

RÉGLAGE DE L'OUVERTURE DE LA PORTE

- Vérifier que la porte du réfrigérateur peut s'ouvrir librement. Si la porte s'ouvre trop grande, enlever la ou les vis de butée de porte (selon le modèle) de la charnière inférieure. Voir la section « Ajustement de la hauteur des portes » plus haut dans cette section.
- Maintenir la porte à une position inférieure à 90°.
- Réinstaller la ou les vis de butée de porte dans la charnière inférieure et serrer.

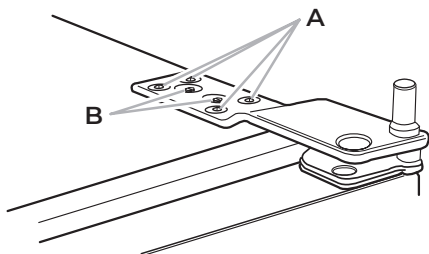


A. 130°
B. 110°
C. 90°

A. 130°
B. 110°
C. 90°

RÉGLAGE DE LA GARNITURE PORTE-À-PORTE OU PORTE-À-RÉFRIGÉRATEUR

1. Desserrer, mais ne pas retirer, les quatre vis de montage à tête plate Torx 27. Enlever et jeter les deux vis à tête hexagonale de 1/4 po.
2. Régler la charnière supérieure de l'une des deux portes pour l'aligner avec l'autre porte ou la garniture du réfrigérateur.
3. Serrer les quatre vis de montage à tête plate Torx 27 d'un couple d'environ 100 lb-po (11,3 Nm).



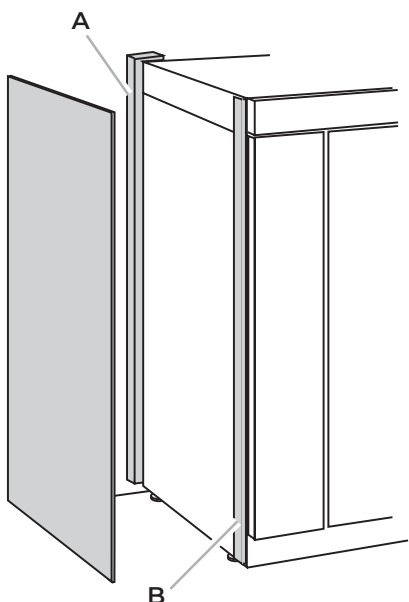
A. Vis de montage à tête plate Torx 27
B. Vis de montage à tête hexagonale de 1/4 po

INSTALLATION DU PANNEAU LATÉRAL

Si la profondeur de la cavité d'encastrement est 25 po (63,5 cm) ou plus, on peut insérer chaque panneau latéral dans la garniture latérale ou le fixer à l'extérieur de la garniture latérale.

IMPORTANT : JennAir n'est pas responsable des opérations d'enlèvement et de réinstallation des moulures ou panneaux décoratifs qui entraveraient l'accès au réfrigérateur lors d'une intervention de réparation.

1. Pour la pièce de garniture latérale interne, insérer la rive avant du panneau latéral usiné dans le profilé de garniture.
2. Clouer la rive arrière du panneau sur la planche d'appui.



A. Planche d'appui (à la paroi arrière)
B. Garniture latérale de la caisse

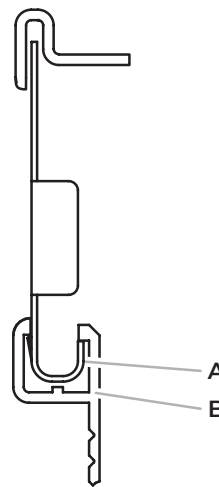
INSTALLATION DE LA GRILLE DE LA BASE

La grille de base comporte deux pièces permettant un ajustement personnalisé : la grille de base elle-même et la plinthe. La plinthe peut être ajoutée à la grille de la base pour la prolonger jusqu'au plancher.

1. Pour voir si la plinthe est nécessaire, placer la grille de la base en position. Ne pas fixer la grille de la base au réfrigérateur. Mesurer la distance entre le fond de la grille de la base et le plancher. L'espace doit mesurer au moins 1/2 po (1,27 cm) pour que l'on puisse ajouter la plinthe.

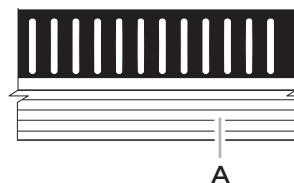
REMARQUE : Si l'espace mesure moins de 1/2 po (1,27 cm), omettre les étapes 3 et 4 des instructions et installer uniquement la grille de la base.

2. Enlever la pellicule de protection de la grille de la base.
3. Emboîter la plinthe sur la grille de la base.



A. Grille de la base
B. Plinthe

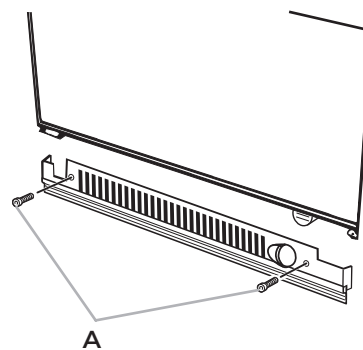
4. Entailler la plinthe en marquant la rainure en V appropriée avec un couteau utilitaire. Briser la plinthe au niveau de la ligne de l'entaille.



A. Rainure en « V »

5. À l'aide des deux vis, fixer la grille de la base au réfrigérateur, comme illustré.

REMARQUE : Insérer d'abord la vis du côté droit.



A. Vis (2)

TERMINER L'INSTALLATION

1. Tourner le robinet de la canalisation d'eau à la position « Ouverte ».
2. Tourner le commutateur du réfrigérateur à la position ON (marche). Voir la section « Interrupteur d'alimentation marche/arrêt » dans le Guide d'utilisation et d'entretien pour plus d'instructions. Attendre quelques minutes. Vérifier les raccords de la canalisation d'eau pour confirmer l'absence de fuites.
3. Retirer les boîtes, composants et matériaux d'emballage de l'intérieur du réfrigérateur. Voir la section « Nettoyage » dans le Guide d'utilisation et d'entretien pour les instructions. Ôter la pellicule et le carton de la grille et des portes ou du châssis de la porte, selon le modèle.
4. Installer les tablettes et balconnets dans les compartiments de réfrigération et de congélation.
5. Les commandes sont préréglées à l'usine au réglage moyen. S'assurer que le compresseur fonctionne bien et que tous les témoins sont en bon état de marche.
6. Purger le circuit d'eau avant l'utilisation. Voir la section « Préparation du circuit d'eau ».

Pour l'utilisation la plus efficace de votre nouveau réfrigérateur encastré, lire le Guide d'utilisation et d'entretien. Conserver les Instructions d'installation et le Guide d'utilisation et d'entretien à proximité du réfrigérateur encastré pour pouvoir les consulter facilement.

PRÉPARATION DU CIRCUIT D'EAU

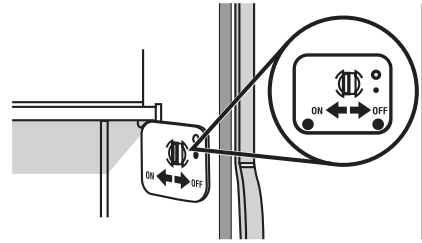
Veuillez lire avant d'utiliser le circuit d'eau.

IMPORTANT : Après avoir raccordé le réfrigérateur à l'alimentation en eau ou avoir remplacé le filtre à eau, suivre les étapes ci-dessous pour s'assurer que le circuit d'eau est correctement nettoyé. Ceci évacue l'air du filtre et du système de distribution d'eau et rend le filtre à eau opérationnel.

Ne pas utiliser pour le filtrage d'une eau microbiologiquement polluée ou de qualité inconnue en l'absence d'un dispositif de désinfection adéquat avant ou après le système. Les systèmes certifiés pour la réduction de kyste peuvent être utilisés pour l'eau désinfectée qui peut contenir des kystes filtrables.

REMARQUE : Si votre modèle est muni d'un système de filtre à la grille de la base, s'assurer que le filtre à la grille de la base est bien installé et que la capsule est à la position horizontale.

1. Ouvrir la porte du congélateur et éteindre la machine à glaçons. Le commutateur On/Off (marche/arrêt) se trouve dans la partie supérieure droite du compartiment de congélation. Tourner le commutateur au réglage OFF (à droite) comme illustré.



2. Utiliser un récipient robuste pour appuyer sur le levier du distributeur d'eau pendant 5 secondes, puis relâcher le levier pendant 5 secondes. Répéter l'opération jusqu'à ce que l'eau commence à couler. Une fois que l'eau commence à couler, continuer d'appuyer puis de relâcher le levier du distributeur (appui pendant 5 secondes, relâchement pendant 5 secondes) jusqu'à ce qu'un total de 3 gal (12 L) soit distribué. Ceci évacue l'air du filtre et du système de distribution d'eau et rend le filtre à eau opérationnel. Un amorçage supplémentaire peut s'avérer nécessaire dans certains domiciles.
3. Ouvrir la porte du congélateur et mettre en marche la machine à glaçons. Mettre le commutateur à la position ON (marche) (vers la gauche).

REMARQUES :

- Prévoir un délai de 24 heures pour la production du premier lot de glaçons.
- Jeter les trois premiers lots de glaçons produits.
- Prévoir un délai de 3 jours pour le remplissage complet du récipient à glaçons.
- Selon le modèle que vous avez, vous pouvez vouloir choisir la caractéristique de production maximale de glaçons pour augmenter la production de glaçons.



JENNAIR®