

PRODUCT MODEL NUMBERS

JBBFX24NHX

Electrical: A 115 volt, 60 Hz., AC-only, 15 or 20 amp fused, grounded electrical supply is required. It is recommended that a separate circuit serving only your refrigerator be provided. Use an outlet that cannot be turned off by a switch. Do not use an extension cord.

IMPORTANT: If this product is connected to a GFCI (Ground Fault Circuit Interrupter) protected outlet, nuisance tripping of the power supply may occur, resulting in loss of cooling. Food quality and flavor may be affected. If nuisance tripping has occurred, and if the condition of the food appears poor, dispose of it.

NOTE: Before performing any type of installation or cleaning, disconnect power at the circuit breaker box.

When you are finished, reconnect power at the circuit breaker box. Then reset the control to the desired setting.

LOCATION REQUIREMENTS

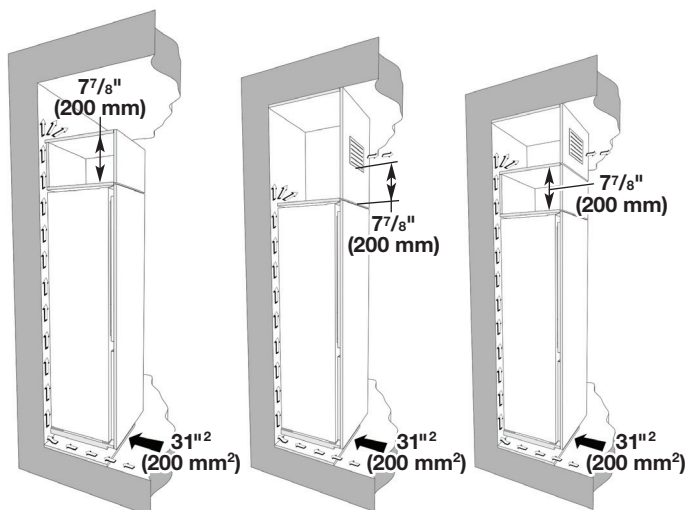
- It is recommended that you do not install the refrigerator near an oven, radiator, or other heat source.
- Do not install in a location where the temperature will fall below 55°F (13°C).
- Floor must support the refrigerator weight of more than 600 lbs (272 kg), including door panels and contents of the refrigerator.

OPENING DIMENSIONS

This refrigerator is designed to be installed inside a frame that fits between kitchen cabinets. The inside of the frame should be a minimum of 70" (1778 mm) high, 22" (559 mm) wide, and 21⁷/₈" (555 mm) deep (front to back).

For proper ventilation, you must allow adequate unobstructed space behind the refrigerator and below and above the frame. Air enters below the refrigerator and exits above it.

- Allow a clearance minimum of 2" (51 mm) at the top of the frame.
- The minimum depth of the base of the frame is 20¹/₂" (520 mm) (front to back).
- The base can be as desired, but height should match height of the toe kick of surrounding cabinets. A vent with an opening of at least 31 sq. in. (200 sq. cm) is required for proper ventilation.
- If the space between the top of the frame and the ceiling is open air, allow a minimum of 7⁷/₈" (200 mm) above the refrigerator.

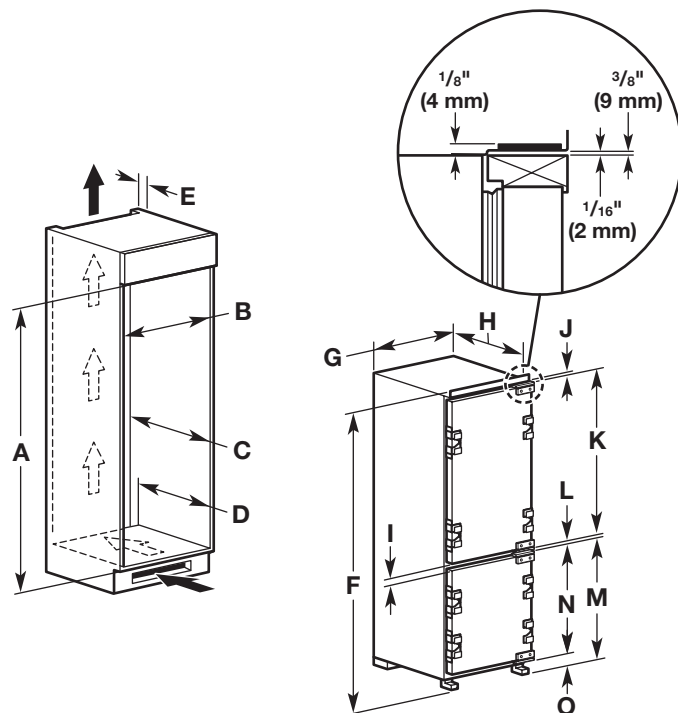


PRODUCT DIMENSIONS

- The unit is 69¹¹/₁₆" (1770 mm) high, 21¹/₄" (540 mm) wide, and 21¹/₂" (546 mm) deep (front to back).
- The refrigerator door (including hinges [x2]) is 42" (1067 mm) high. The freezer door (including hinges [x2]) is 26¹/₄" (667 mm) high. The space between the refrigerator and freezer doors is 2³/₈" (60 mm). The space between the door hinges is 1³/₃₂" (10 mm).
- A grounded 3 prong electrical outlet should be placed within 4" (102 mm) of the right side cabinets or end panel. See the "Electrical Requirements" section of the Installation Instructions for additional information.

If the space between the top of the frame and the ceiling is enclosed as part of the surrounding cabinetry, a vent with an opening of at least 31 sq. in. (200 sq. cm) is required. The bottom of the vent must be a minimum of 7⁷/₈" (200 mm) above the refrigerator.

NOTE: Vent covers are not supplied with the unit.



Dimension Table

A	70" (1778 mm)	I	2 ³ / ₈ " (60 mm)
B	22" (559 mm)	J	1/16" (2 mm)
C	minimum 21 ⁷ / ₈ " (555 mm)	K	42" (1067 mm)
D	minimum 20 ¹ / ₂ " (520 mm)	L	1 ³ / ₃₂ " (10 mm)
E	minimum 2" min. (51 mm)	M	28" (711 mm)
F	69 ¹¹ / ₁₆ " (1770 mm)	N	26 ¹ / ₄ " (667 mm)
G	21 ¹ / ₄ " (540 mm)	O	1 ¹ / ₈ " (29 mm)
H	21 ¹ / ₂ " (546 mm)		