



30" Single Wall Oven with V2™ Vertical Dual-Fan Convection System

JJW3430DP

Available Finishes/Colours

Dimensions

Depth	23 1/8
Height	29 7/8
Width	30

Larger than before, this new Jenn-Air® single wall oven offers 5.0 cubic feet of oven capacity and advanced cooking capabilities with the next-generation Wi-Fi Connected Jenn-Air® Culinary Center and 7-inch touch-anywhere digital display. Using two vertically-stacked convection fans, the V2™ vertical dual-fan convection system distributes 6,800 watts of convection cooking power to achieve exceptional results.

Top Features

Manuals & Literature:

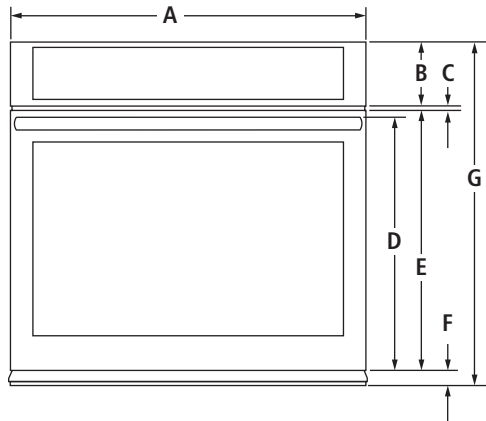
 [Dimension Guide](#)  [Installation Guide](#)

 [Owner Manual](#)  [Warranty Information](#)

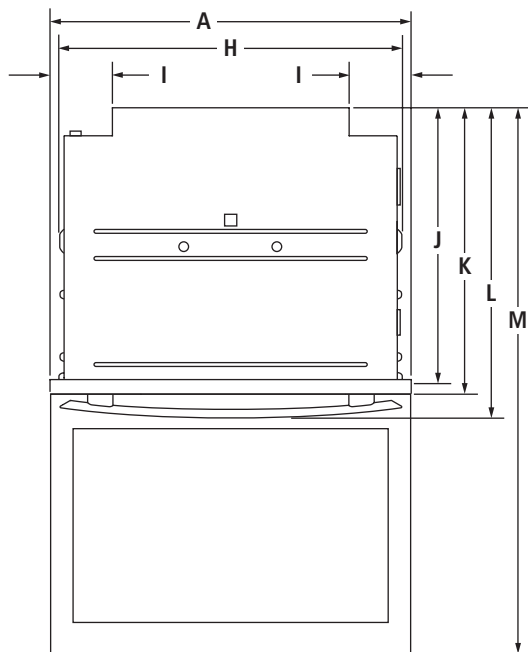
30" SINGLE WALL OVENS

JJW3430D, JJW2430D – 30" x 29⁷/₈" x 25⁵/₁₆"

PRODUCT DIMENSIONS



FRONT VIEW



TOP VIEW

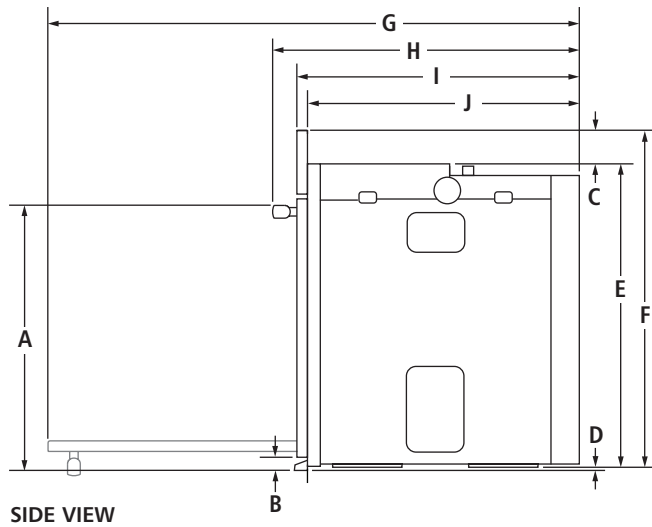
MODEL #		JJW3430D	
		JJW2430D	
		in	cm
A	Overall width	30	76.2
	Pro-Style® Stainless or Euro-Style Stainless		
	Floating Glass	29 ¹⁵ / ₁₆	76.1
B	Height of control panel	5 ¹ / ₂	14.0
C	Space between control panel and door	⁷ / ₁₆	1.1
D	Height to top of handle		
	Pro-Style® Stainless	21 ¹¹ / ₁₆	55.0
	Euro-Style (color-coordinating)	21 ⁷ / ₁₆	54.4
E	Height of door	22 ¹ / ₈	56.2
F	Height of trim	1 ¹¹ / ₁₆	4.3
G	Overall height	29 ⁷ / ₈	75.8
H	Width of recessed oven	28 ⁷ / ₁₆	72.2
I	Width of conduit channel	3 ⁵ / ₁₆	8.8
J	Depth of recessed oven	23 ³ / ₈	58.7
K	Depth with door	24 ⁵ / ₁₆	61.8
L	Depth with handle		
	Pro-Style® Stainless	26 ⁵ / ₁₆	66.9
	Euro-Style (color-coordinating)	25 ⁵ / ₁₆	64.3
M	Depth with door fully open	45 ³ / ₈	115.3

IMPORTANT: Dimensional specifications are provided for planning purposes only. Do not make any cutouts based on this information. Refer to the Installation Guide before selecting cabinetry, verifying electrical/gas connections, making cutouts or beginning installation. All Jenn-Air® appliances are appropriately UL, CUL or CSA approved.

30" SINGLE WALL OVENS

JJW3430D, JJW2430D – 30" x 29⁷/₈" x 25⁵/₁₆"

DIMENSIONS AS INSTALLED



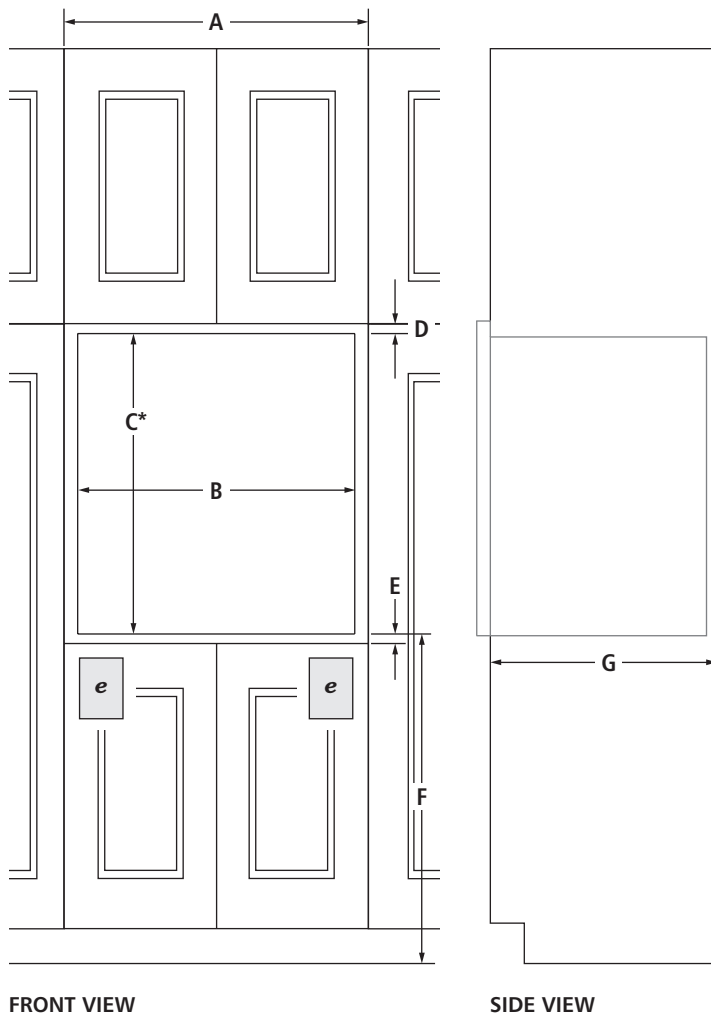
MODEL #		JJW3430D	
		JJW2430D	
		in	cm
A	Height to top of handle Pro-Style® Stainless	22 ³ / ₄	57.8
	Euro-Style (color-coordinating)	22 ⁹ / ₁₆	57.3
B	Height of trim extending below cutout	1 ¹ / ₈	2.9
C	Height from top of recessed oven to top of control panel JJW3430D	2 ¹ / ₂	6.3
	JJW2430D	2 ¹⁵ / ₁₆	7.4
D	Height from bottom of recessed oven foot to bottom of oven vent	³ / ₁₆	0.5
E	Height of recessed oven	26 ³ / ₄	67.9
F	Height to top of control panel	29 ⁷ / ₈	75.8
G	Depth with door fully open	45 ³ / ₈	115.3
H	Depth with handle Pro-Style® Stainless	26 ⁵ / ₁₆	66.9
	Euro-Style (color-coordinating)	25 ⁵ / ₁₆	64.3
I	Depth with door	24 ⁵ / ₁₆	61.8
J	Depth of recessed oven	23 ¹ / ₁₆	58.6

IMPORTANT: Dimensional specifications are provided for planning purposes only. Do not make any cutouts based on this information. Refer to the Installation Guide before selecting cabinetry, verifying electrical/gas connections, making cutouts or beginning installation. All Jenn-Air® appliances are appropriately UL, CUL or CSA approved.

30" SINGLE WALL OVENS

JJW3430D, JJW2430D – 30" x 29⁷/₈" x 25⁵/₁₆"

OPENING/CLEARANCE DIMENSIONS



FRONT VIEW

SIDE VIEW

MODEL #		JJW3430D JJW2430D	
		in	cm
A	Width of cabinet (min.)	30	76.2
B	Width of cutout	28 ¹ / ₂	72.4
C*	Height of cutout (recommended)	28	71.2
D	Top of cutout to bottom of upper cabinet door (min.)	2 ³ / ₁₆	5.5
E	Bottom of cutout to top of lower cabinet door (min.)	1 ¹ / ₂	3.8
F	Bottom of cutout to floor	32	81.3
G	Depth of cutout (min.)	24	61.0
H	Top of countertop to bottom of cutout (min.)	30 ³ / ₁₆	76.7
I	Top of cutout to underside of countertop (min.)	1 ¹ / ₂	3.8
J	Bottom of cutout to floor	4 ⁵ / ₁₆	11.0
e	Recommended junction box location		

*Will fit cutout height from 26¹/₄" (68.4 cm) to 29⁷/₈" (74.8 cm).

ELECTRICAL REQUIREMENTS

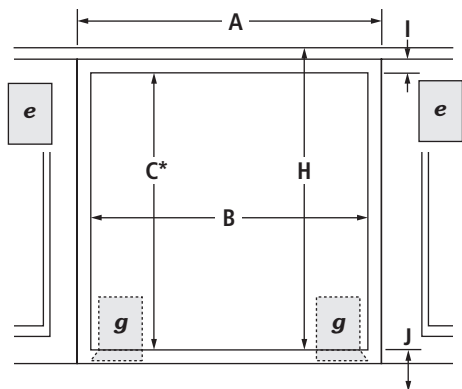
240 volt, 20-amp fused, grounded circuit is required. A dedicated circuit is required.

The length of conduit provided is for serviceability. Do not cut the conduit. The junction box should be located 3" (7.6 cm) maximum below the support surface. Drill a 1" (2.5 cm) minimum diameter hole in the right rear or left rear corner of the support surface for access to the junction box.

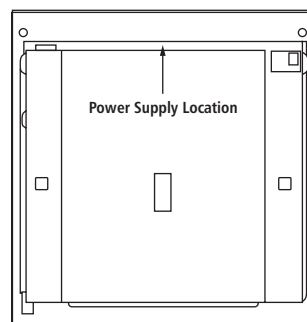
NOTE: For under counter installation, the junction box should be located in the adjacent right or left cabinet. Drill a 1" (2.5 cm) minimum diameter hole in an upper corner of the side wall for access to the junction box.

CABINET REQUIREMENTS

NOTE: When using under counter installation, check cabinet manufacturer's specifications to verify fit.



UNDER COUNTER INSTALLATION
(without cooktop installed above)

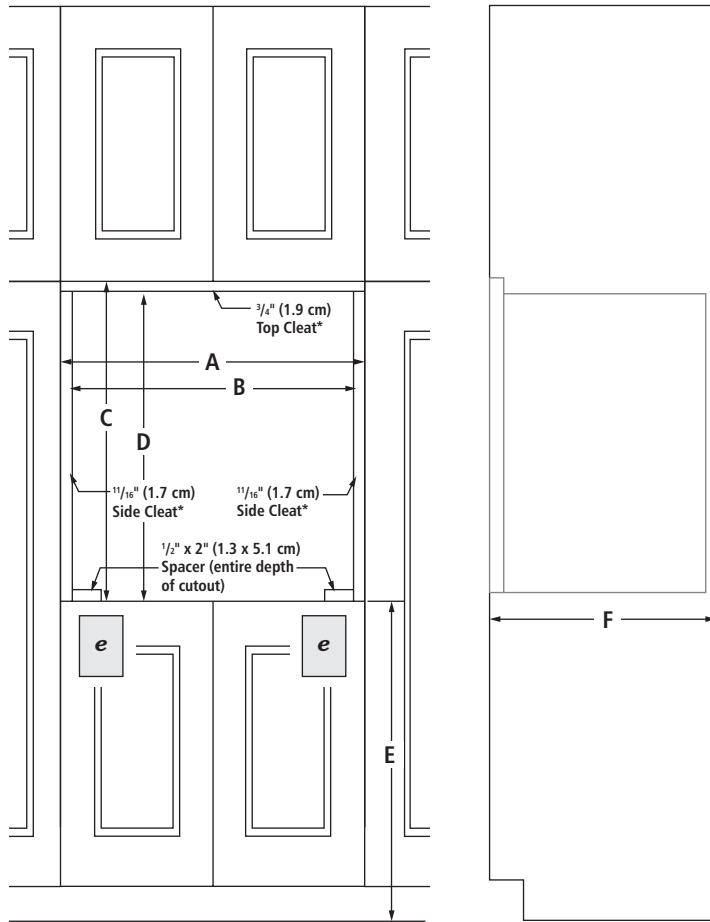


BACK VIEW

IMPORTANT: Dimensional specifications are provided for planning purposes only. Do not make any cutouts based on this information. Refer to the Installation Guide before selecting cabinetry, verifying electrical/gas connections, making cutouts or beginning installation. All Jenn-Air® appliances are appropriately UL, CUL or CSA approved.

30" SINGLE WALL OVENS – FLUSH INSTALLATION
 JJW3430D, JJW2430D – 30" x 29⁷/₈" x 24⁵/₁₆" (depth without handle)

OPENING/CLEARANCE DIMENSIONS



FRONT VIEW

SIDE VIEW

MODEL #	JJW3430D JJW2430D	
	in	cm
A	Width of flush inset cutout (min.)	30 ¹ / ₄ 76.8
B	Width of opening (min.)	28 ⁷ / ₈ 73.3
C	Height of flush inset cutout (min.)	30 ⁷ / ₁₆ 77.3
D	Height of opening (min.)	29 ¹¹ / ₁₆ 75.4
E	Bottom of cutout to floor	4 ⁵ / ₈ - 11.7- 32 81.3
F	Depth of cutout (min.)	25 63.5
G	Bottom of cutout to floor for under counter	4 ¹ / ₁₆ 10.3
e	Recommended junction box location	

ELECTRICAL REQUIREMENTS

240 volt, 20-amp fused, grounded circuit is required. A dedicated circuit is required.

The length of conduit provided is for serviceability. Do not cut the conduit. The junction box should be located 3" (7.6 cm) maximum below the support surface. Drill a 1" (2.5 cm) minimum diameter hole in the right rear or left rear corner of the support surface for access to the junction box.

NOTE: For under counter installation, the junction box should be located in the adjacent right or left cabinet. Drill a 1" (2.5 cm) minimum diameter hole in an upper corner of the side wall for access to the junction box.

FLUSH INSTALLATION REQUIREMENTS

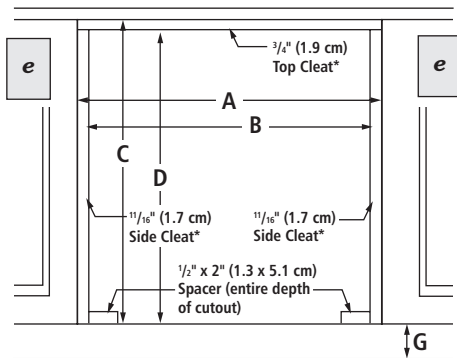
A 2⁵/₈" (63.5 cm) minimum cutout depth is required.

These dimensions will result in a 1/4" (0.6 cm) reveal on the top, a 1/4" (0.6 cm) reveal on the sides and a 1/8" (0.3 cm) reveal on the bottom of the wall oven.

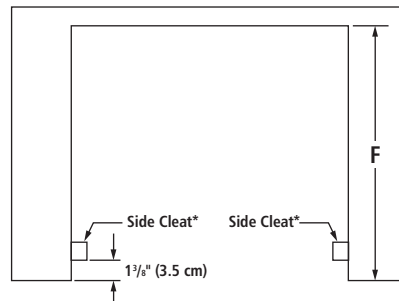
The front face of the cleats and spacers will be visible and should be treated as a finished surface.

CABINET REQUIREMENTS

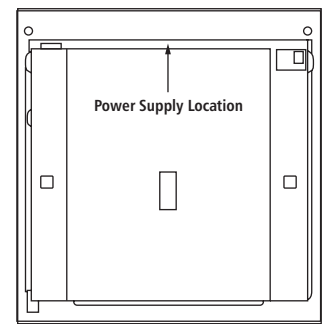
NOTE: When using under counter installation, check cabinet manufacturer's specifications to verify fit.



UNDER COUNTER INSTALLATION
 (without cooktop installed above)



TOP VIEW



BACK VIEW

* Cleats and spacers must be recessed 1³/₈" (3.5 cm) from the front of the cabinet.

IMPORTANT: Dimensional specifications are provided for planning purposes only. Do not make any cutouts based on this information. Refer to the Installation Guide before selecting cabinetry, verifying electrical/gas connections, making cutouts or beginning installation. All Jenn-Air® appliances are appropriately UL, CUL or CSA approved.