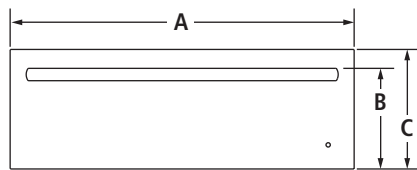


30"/27" WARMING DRAWERS

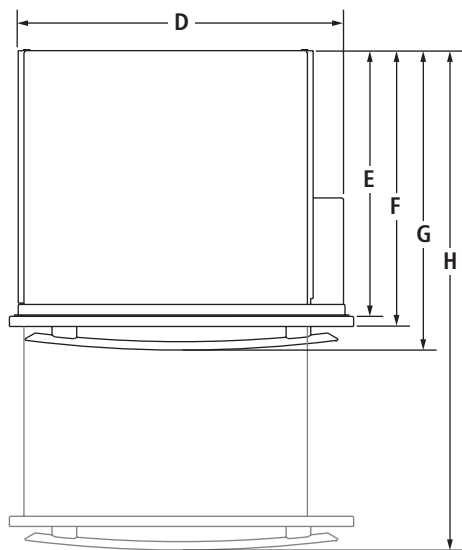
JWD3030E – 29¾" x 10¼" x 26¼"

JWD3027E – 26¾" x 10¼" x 26¼"

PRODUCT DIMENSIONS



FRONT VIEW



TOP VIEW

MODEL #		JWD3030E		JWD3027E	
		in	cm	in	cm
A	Overall width (max.)	29¾	75.6	26¾	67.9
	Height to top of handle				
B	Pro-Style® Stainless	9⅞	23.2	—	—
	Euro-Style Stainless	9	23.0	9	23.0
	Custom panel (¾"/1.9 cm)	*	*	*	*
C	Overall height (max.)	10¼	26.1	10¼	26.1
D	Width of recessed warming drawer	28¼	71.8	25¼	64.1
E	Depth of recessed warming drawer	23⅞	58.7	23⅞	58.7
F	Depth with drawer	24½	61.4	24½	61.4
G	Depth with handle				
	Pro-Style® Stainless	26⅞	68.1	—	—
	Euro-Style Stainless	26¼	66.6	26¼	66.6
	Custom panel (¾"/1.9 cm)	*	*	*	*
H	Depth with drawer fully open including handle				
	Pro-Style® Stainless	46⅞	117.1	—	—
	Euro-Style Stainless	45½	115.6	45½	115.6
	Custom panel (¾"/1.9 cm)	*	*	*	*

*These dimensions to be determined by the custom cabinet maker.

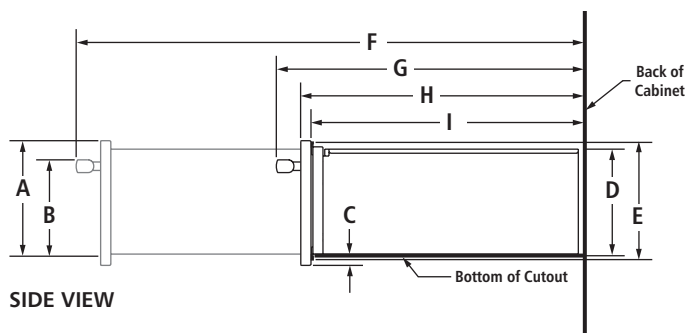
IMPORTANT: Dimensional specifications are provided for planning purposes only. Do not make any cutouts based on this information. Refer to the Installation Guide before selecting cabinetry, verifying electrical/gas connections, making cutouts or beginning installation. All Jenn-Air® appliances are appropriately UL, CUL or CSA approved.

30"/27" WARMING DRAWERS

JWD3030E – 29³/₄" x 10¹/₄" x 26¹/₄"

JWD3027E – 26³/₄" x 10¹/₄" x 26¹/₄"

DIMENSIONS AS INSTALLED



MODEL #		JWD3030E		JWD3027E	
		in	cm	in	cm
A	Height to top of drawer (max.)	10 ¹ / ₄	26.1	10 ¹ / ₄	26.1
B	Height to top of handle				
	Pro-Style® Stainless	8 ⁵ / ₈	21.9	—	—
	Euro-Style Stainless	8 ¹ / ₂	21.5	8 ¹ / ₂	21.5
	Custom panel (¾"/1.9 cm)	*	*	*	*
C	Height of drawer extending below cutout	5 ⁸ / ₈	1.6	5 ⁸ / ₈	1.6
D	Height of recessed warming drawer	9	23.0	9	23.0
E	Height of warming drawer flange	9 ⁷ / ₈	25.0	9 ⁷ / ₈	25.0
F	Depth with drawer fully open including handle				
	Pro-Style® Stainless	46 ¹ / ₈	117.1	—	—
	Euro-Style Stainless	45 ¹ / ₂	115.6	45 ¹ / ₂	115.6
	Custom panel (¾"/1.9 cm)	*	*	*	*
G	Depth with handle				
	Pro-Style® Stainless	26 ⁷ / ₈	68.1	—	—
	Euro-Style Stainless	26 ¹ / ₄	66.6	26 ¹ / ₄	66.6
	Custom panel (¾"/1.9 cm)	*	*	*	*
H	Depth with drawer	24	61.0	24	61.0
I	Depth of recessed warming drawer	23 ¹ / ₈	58.8	23 ¹ / ₈	58.8

*These dimensions to be determined by the custom cabinet maker.

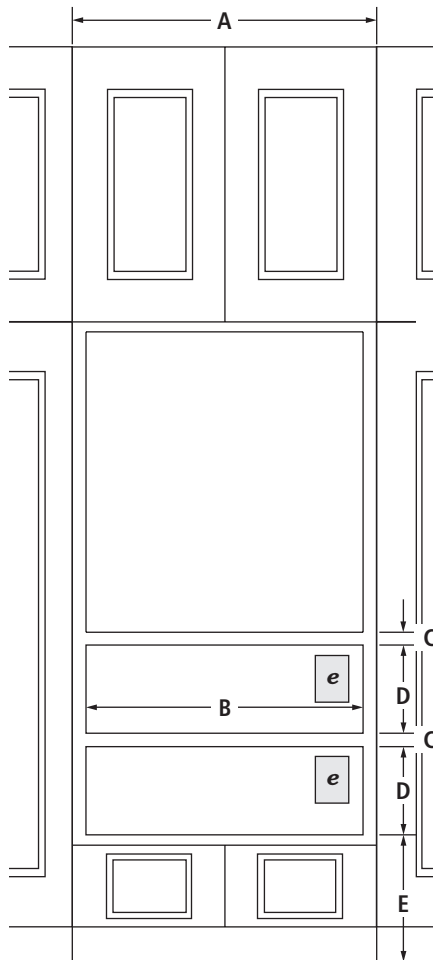
IMPORTANT: Dimensional specifications are provided for planning purposes only. Do not make any cutouts based on this information. Refer to the Installation Guide before selecting cabinetry, verifying electrical/gas connections, making cutouts or beginning installation. All Jenn-Air® appliances are appropriately UL, CUL or CSA approved.

30"/27" WARMING DRAWERS

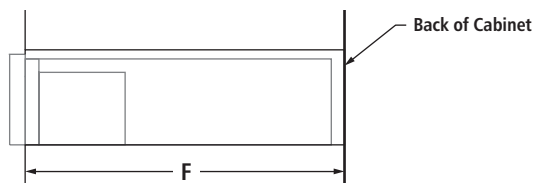
JWD3030E – 29¾" x 10¼" x 26¼"

JWD3027E – 26¾" x 10¼" x 26¼"

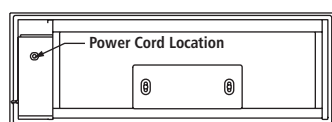
OPENING/CLEARANCE DIMENSIONS



FRONT VIEW



SIDE VIEW



BACK VIEW

MODEL #	JWD3030E		JWD3027E	
	in	cm	in	cm
A	Width of cabinet (min.)			
B	Width of cutout			
C	Height between cutouts (min.)			
D	Height of cutout			
E	Bottom of cutout to floor (recommended)			
	Bottom of cutout to floor (min.)			
F	Depth of cutout (min.)			
e	Recommended outlet location			

ELECTRICAL REQUIREMENTS

120 volt, 60 Hz, AC only, 15-amp fused, electrical circuit is required. A dedicated circuit is recommended.

If the outlet is on the rear wall behind the warming drawer, it must be recessed and located in the upper right-hand corner. If outlet is located in an adjacent cabinet, drill a 1⅞" (3.5 cm) minimum diameter hole in the side wall or support surface to access the power supply cord.

LOCATION REQUIREMENTS

Support surface must be solid, level and flush with the bottom of the cabinet cutout. The warming drawer must be leveled before completing installation.

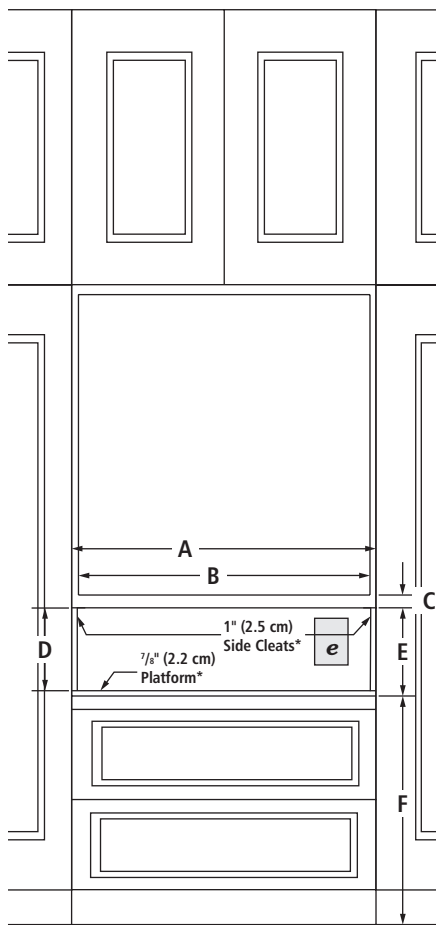
IMPORTANT: Dimensional specifications are provided for planning purposes only. Do not make any cutouts based on this information. Refer to the Installation Guide before selecting cabinetry, verifying electrical/gas connections, making cutouts or beginning installation. All Jenn-Air® appliances are appropriately UL, CUL or CSA approved.

30"/27" WARMING DRAWERS – FLUSH INSTALLATION

JWD3030E – 29¾" x 10¼" x 24½" (depth without handle)

JWD3027E – 26¾" x 10¼" x 24½" (depth without handle)

OPENING/CLEARANCE DIMENSIONS



FRONT VIEW

MODEL #	JWD3030E		JWD3027E	
	in	cm	in	cm
A	Width of flush inset cutout (min.)	30¼ 76.8	27¼ 69.2	
B	Width of opening (min.)	28¼ 71.8	25¼ 64.1	
C	Height between cutouts (min.)	2½ 6.4	2½ 6.4	
D	Height of opening (min.)	9⅞ 23.2	9⅞ 23.2	
E	Height of flush inset cutout (min.)	10¾ 27.3	10¾ 27.3	
F	Bottom of cutout to floor (recommended)	8¼ 21.0	8¼ 21.0	
	Bottom of cutout to floor (min.)	5 12.7	5 12.7	
G	Depth of cutout (min.)	25 63.5	25 63.5	
e	Recommended outlet location			

ELECTRICAL REQUIREMENTS

120 volt, 60 Hz, AC only, 15-amp fused, electrical circuit is required. A dedicated circuit is recommended.

If the outlet is on the rear wall behind the warming drawer, it must be recessed and located in the upper right-hand corner. If outlet is located in an adjacent cabinet, drill a 1⅝" (3.5 cm) minimum diameter hole in the side wall or support surface to access the power supply cord.

LOCATION REQUIREMENTS

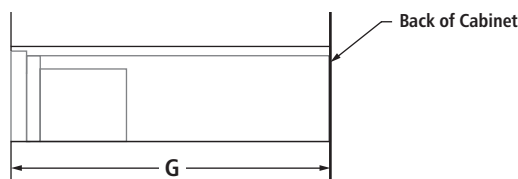
Support surface must be solid, level and flush with the bottom of the cabinet cutout. The warming drawer must be leveled before completing installation.

FLUSH INSTALLATION REQUIREMENTS

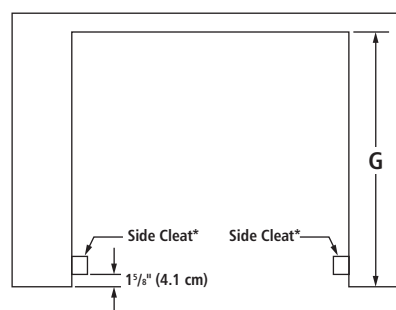
A 25" (63.5 cm) minimum cutout depth is required.

These dimensions will result in a ¼" (0.6 cm) reveal on all sides of the warming drawer.

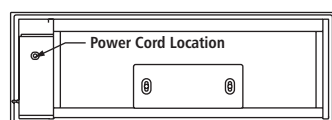
The front face of the cleats and platforms will be visible and should be treated as a finished surface.



SIDE VIEW



TOP VIEW



BACK VIEW

*Cleats and platform must be recessed 1⅞" (4.1 cm) from the front of the cabinet.

IMPORTANT: Dimensional specifications are provided for planning purposes only.

Do not make any cutouts based on this information. Refer to the Installation Guide *before* selecting cabinetry, verifying electrical/gas connections, making cutouts or beginning installation.

All Jenn-Air® appliances are appropriately UL, CUL or CSA approved.