

JENN-AIR® DOWNDRAFT VENT FOR USE WITH TOUCH-ACTIVATED ELECTRONIC INDUCTION COOKTOP

SYSTÈME D'EXTRACTION PAR LE BAS
JENN-AIR® POUR UNE UTILISATION AVEC
LA TABLE DE CUISSON À INDUCTION AVEC
COMMANDES ÉLECTRONIQUES TACTILES

Use and Care Guide

For questions about features, operation/performance, parts, accessories, or service in the U.S.A.,
call: **1-800-JENNAIR (1-800-536-6247)** or visit our website at **www.jennair.com**.

In Canada, call: **1-800-JENNAIR (1-800-536-6247)** or visit our website at **www.jennair.ca**.

Guide d'utilisation et d'entretien

Au Canada, pour assistance, installation ou service, composez le **1-800-JENNAIR (1-800-536-6247)**
ou visitez notre site web à **www.jennair.ca**.

Table of Contents/Table des matières 2

**IMPORTANT: READ AND SAVE THESE INSTRUCTIONS.
FOR RESIDENTIAL USE ONLY.**

**IMPORTANT : LIRE ET CONSERVER CES INSTRUCTIONS.
POUR UTILISATION RÉSIDENIELLE UNIQUEMENT.**

JENN-AIR®

3594/W10848284A

TABLE OF CONTENTS

DOWNDRAFT VENT SAFETY	2
DOWNDRAFT VENT USE	4
LED Illumination.....	4
DOWNDRAFT VENT CARE	5
General Cleaning.....	5
TROUBLESHOOTING	6
ASSISTANCE OR SERVICE	7
In the U.S.A.	7
In Canada.....	7
Accessories.....	7
WARRANTY	8

TABLE DES MATIÈRES

SÉCURITÉ DU SYSTÈME D'EXTRACTION PAR LE BAS	9
UTILISATION DU SYSTÈME D'EXTRACTION PAR LE BAS	11
Luminosité DEL.....	11
ENTRETIEN DU SYSTÈME D'EXTRACTION PAR LE BAS	12
Nettoyage général.....	12
DÉPANNAGE	13
ASSISTANCE OU SERVICE	14
Aux É.-U.	14
Au Canada.....	14
Accessoires.....	14
GARANTIE	15

DOWNDRAFT VENT SAFETY

Your safety and the safety of others are very important.

We have provided many important safety messages in this manual and on your appliance. Always read and obey all safety messages.



This is the safety alert symbol.

This symbol alerts you to potential hazards that can kill or hurt you and others.

All safety messages will follow the safety alert symbol and either the word "DANGER" or "WARNING."

These words mean:

! DANGER

You can be killed or seriously injured if you don't immediately follow instructions.

! WARNING

You can be killed or seriously injured if you don't follow instructions.

All safety messages will tell you what the potential hazard is, tell you how to reduce the chance of injury, and tell you what can happen if the instructions are not followed.

State of California Proposition 65 Warnings:

WARNING: This product contains one or more chemicals known to the State of California to cause cancer.

WARNING: This product contains one or more chemicals known to the State of California to cause birth defects or other reproductive harm.

IMPORTANT SAFETY INSTRUCTIONS

WARNING: TO REDUCE THE RISK OF FIRE, ELECTRIC SHOCK, OR INJURY TO PERSONS, OBSERVE THE FOLLOWING:

- Use this unit only in the manner intended by the manufacturer. If you have questions, contact the manufacturer.
- Before servicing or cleaning the unit, switch power off at service panel and lock the service disconnecting means to prevent power from being switched on accidentally. When the service disconnecting means cannot be locked, securely fasten a prominent warning device, such as a tag, to the service panel.
- Installation work and electrical wiring must be done by qualified person(s) in accordance with all applicable codes and standards, including fire-rated construction.
- Do not operate any fan with a damaged cord or plug. Discard fan or return to an authorized service facility for examination and/or repair.
- Sufficient air is needed for proper combustion and exhausting of gases through the flue (chimney) of fuel burning equipment to prevent backdrafting. Follow the heating equipment manufacturer's guideline and safety standards such as those published by the National Fire Protection Association (NFPA), the American Society for Heating, Refrigeration and Air Conditioning Engineers (ASHRAE), and the local code authorities.
- When cutting or drilling into wall or ceiling, do not damage electrical wiring and other hidden utilities.
- Ducted fans must always be vented outdoors.

CAUTION: For general ventilating use only. Do not use to exhaust hazardous or explosive materials and vapors.

CAUTION: To reduce risk of fire and to properly exhaust air, be sure to duct air outside - do not vent exhaust air into spaces within walls or ceilings, attics or into crawl spaces, or garages.

WARNING: TO REDUCE THE RISK OF FIRE, USE ONLY METAL DUCTWORK.

WARNING: TO REDUCE THE RISK OF A RANGE TOP GREASE FIRE:

- Never leave surface units unattended at high settings. Boilovers cause smoking and greasy spillovers that may ignite. Heat oils slowly on low or medium settings.
- Always turn hood ON when cooking at high heat or when flambeing food (i.e. Crepes Suzette, Cherries Jubilee, Peppercorn Beef Flambe).
- Clean ventilating fans frequently. Grease should not be allowed to accumulate on fan or filter.
- Use proper pan size. Always use cookware appropriate for the size of the surface element.

WARNING: TO REDUCE THE RISK OF INJURY TO PERSONS IN THE EVENT OF A RANGE TOP GREASE FIRE, OBSERVE THE FOLLOWING:^a

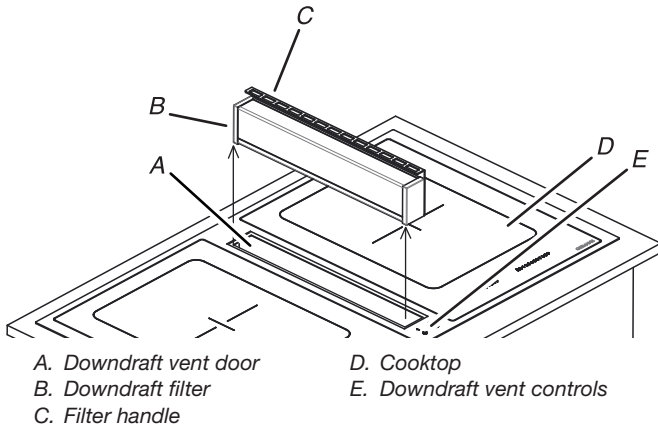
- SMOTHER FLAMES with a close fitting lid, cookie sheet, or metal tray, then turn off the burner. BE CAREFUL TO PREVENT BURNS. If the flames do not go out immediately, EVACUATE AND CALL THE FIRE DEPARTMENT.
- NEVER PICK UP A FLAMING PAN - you may be burned.
- DO NOT USE WATER, including wet dishcloths or towels - a violent steam explosion will result.
- Use an extinguisher ONLY if:
 - You know you have a class ABC extinguisher, and you already know how to operate it.
 - The fire is small and contained in the area where it started.
 - The fire department is being called.
 - You can fight the fire with your back to an exit.

^aBased on "Kitchen Fire Safety Tips" published by NFPA.

- **WARNING:** To reduce the risk of fire or electrical shock, do not use this fan with any solid-state speed control device.

READ AND SAVE THESE INSTRUCTIONS

DOWNDRAFT VENT USE

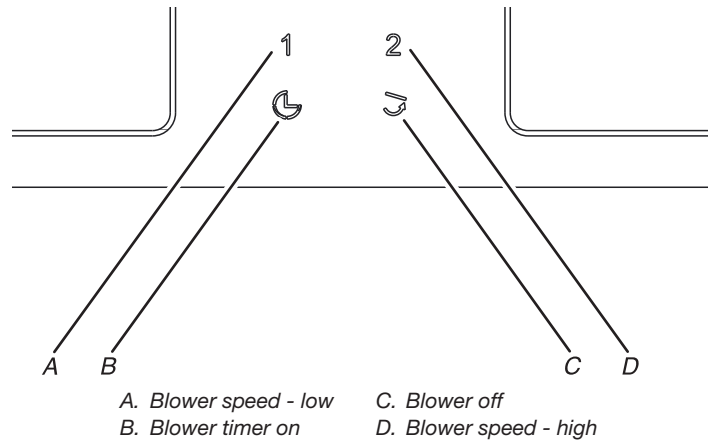


The downdraft vent removes cooking vapors, odors, and smoke from the cooktop area. The downdraft vent consists of a vent filter, vent ducting, and a vent fan.

- For best results, the downdraft vent should be turned ON before cooking is started.
- A higher heat setting than normal may be needed when the downdraft vent is operating.
- The handle of the downdraft filter should be on the right-hand side of the filter opening when facing the front of the cooktop. See the previous illustration.

IMPORTANT: Only operate the downdraft vent with the downdraft filter properly installed. Clean the filter regularly. Non-vented (recirculation) use requires the installation of the Recirculation Kit Accessory.

To Use:



To Turn On Downdraft Vent:

1. Push down on the right side of the downdraft vent door. A magnet will keep the downdraft vent door open.
 - NOTE:** The downdraft vent will not operate if the downdraft vent door is closed.
2. Press the “1” keypad for approximately one second to turn on the downdraft vent at Low speed. Press the “2” keypad for approximately one second to turn on the downdraft vent at High speed.

NOTE: The downdraft vent has a Timer On mode. Press the Timer On keypad for approximately one second to turn the downdraft vent on at low speed. The downdraft vent will only run on low speed and will automatically turn off after 15 minutes while in the Timer On mode.

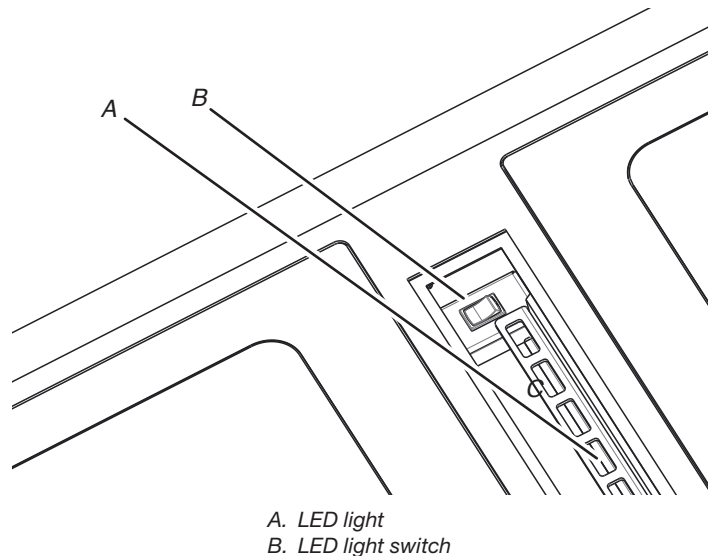
To Turn Off Downdraft Vent:

1. Press the Blower Off keypad for approximately one second to turn the downdraft vent off and close the downdraft vent door.

NOTE: Remove the downdraft vent instruction labels from the cooktop before using the cooktop.

LED Illumination

There is an LED light below the downdraft vent door that comes on automatically when the downdraft vent door is opened. To turn the LED light off when the door is open, press the LED light switch.



DOWNDRAFT VENT CARE

General Cleaning

IMPORTANT: Before cleaning, make sure all controls are OFF and the cooktop is cool. Always follow label instructions on cleaning products.

Soap, water, and a soft cloth or sponge are suggested first unless otherwise noted.

Downdraft Vent

Do not use steel wool, abrasive powder cleansers, chlorine bleach, rust remover, or ammonia because damage may occur.

Light to moderate soil

- Can be cleaned with damp paper towels or sponge. Light stains should be addressed with cleaner and cleaning pad.

Heavy soil, dark streaks, specks, and discoloration

- Clean with affresh® Cooktop Cleaner or nonabrasive cleaner and Cooktop Cleaning Pads.

Downdraft Vent Filter

The grease filter for the downdraft vent should be cleaned regularly. Grease build-up decreases the downdraft vent's performance.

To Clean Metal Vent Filter:

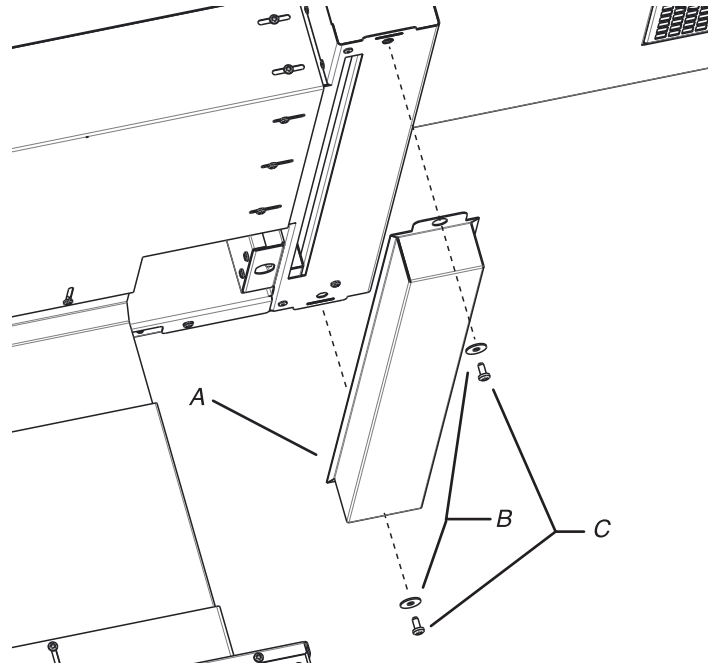
1. Open the vent filter door and remove the vent filter.
2. Clean the filter using warm water with a mild dishwashing soap.

NOTE: The metal grease filter can be cleaned by handwashing or in a dishwasher with a mild dishwashing soap at a low temperature. Do not use aggressive or multi-phase cleaning agents or clean at temperatures above 130°F (54°C)

Drip Pan

If a spill occurs on the cooktop and into the downdraft vent area, turn off the cooktop and downdraft vent as soon as possible. Let the cooking surface cool, remove the downdraft filter, and clean as necessary. Wipe the downdraft vent area clean. The drip pan should always be removed, emptied, and cleaned anytime there is a spill or boilover. The drip pan should be removed, emptied, and cleaned often to avoid drip pan overflow and possible odors.

Drip pan removal:



- A. Drip pan
- B. Flat washers (2)
- C. Screws (2)

1. Use a T20[†] Torx® driver and remove the 2 screws and washers from the tabs on the drip pan.
2. Remove the drip and dispose of the liquids and grease buildup inside. Clean the drip pan inside and out with warm soapy water, and then rinse and dry.

Drip Pan Installation:

NOTE: The drip pan should always be attached to the downdraft vent except when it is removed for cleaning.

1. Replace the clean drip on the bottom of the downdraft vent and install 2 screws and washers. Tighten the screws using a T20[†] Torx® driver.

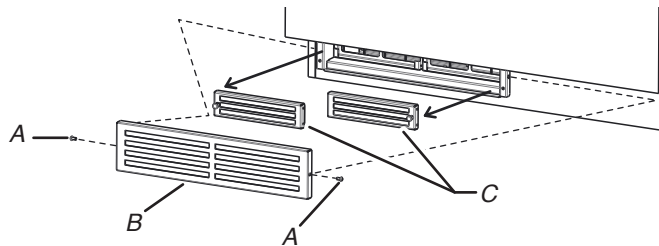
[†]TORX and T20 are registered trademarks of Acument Intellectual Properties, LLC.

Recirculation Filters

If the downdraft vent is set up for recirculation, the Recirculation Kit includes 2 charcoal filters. The charcoal filters should be replaced every 3 years, or more often if needed due to the intensity of cooking. The charcoal filters are located behind the recirculation cover.

NOTE: These charcoal filters cannot be washed or recharged.

To Remove the Charcoal Filters:



- A. Screws (2)
- B. Recirculation system cover
- C. Charcoal filter (2)

1. Using a $\frac{3}{16}$ " hex driver, remove the 2 screws from the ends of the recirculation system cover. Remove the cover and set aside.
2. Remove the charcoal filters by pulling out on the filter handles.
3. Replace with new charcoal filters. To order a replacement charcoal filter kit, see the "Assistance or Service" section.
4. Replace the recirculation system cover and secure with the 2 screws. Tighten the screws with the hex driver.

TROUBLESHOOTING

First try the solutions suggested here. If you need further assistance or more recommendations that may help you avoid a service call, refer to the warranty page in this manual and scan the code there with your mobile device, or visit <https://jennair.custhelp.com>. In Canada, visit <http://www.jennair.ca>.

Contact us by mail with any questions or concerns at the address below:

In the U.S.A.:

Jenn-Air Brand Home Appliances
Customer eXperience Center
553 Benson Road
Benton Harbor, MI 49022-2692

In Canada:

Jenn-Air Brand Home Appliances
Customer eXperience Centre
200 – 6750 Century Ave.
Mississauga, Ontario L5N 0B7

Please include a daytime phone number in your correspondence.

Problem	Possible Causes and/or Solutions
Nothing will operate	<p>Is the appliance wired properly? Call for service. See the "Warranty" section for contact information.</p> <p>Has a household fuse blown or has a circuit breaker tripped? Replace the fuse or reset the circuit breaker. If the problem continues, call for service. See the "Warranty" section for contact information.</p> <p>Is the downdraft vent door closed? If it is closed, push down on the right side of the downdraft vent door. A magnet will keep the downdraft vent door open. If the downdraft vent door will not stay open, the downdraft vent may not be connected in the electronics connection box. Call for service. See the "Warranty" section for contact information.</p>
Very little air movement	<p>Is the filter installed backwards? The filter handle should be on the right-hand side of the filter opening. See the "Downdraft Vent Use" section.</p> <p>Is there an obstruction in the vent system or vent damper? Check the vent system for obstructions.</p> <p>Is the vent damper obstructed or not working correctly? Check the vent damper for obstructions or binding.</p>

ASSISTANCE OR SERVICE

If you need service:

Please refer to the warranty page in this manual.

If you need replacement parts:

If you need to order replacement parts, we recommend that you use only factory specified parts. These factory specified parts will fit right and work right because they are made with the same precision used to build every new Jenn-Air® appliance.

To locate factory specified parts in your area, call us or your nearest Jenn-Air designated service center.

In the U.S.A.

Call the Jenn-Air Customer eXperience Center toll-free: **1-800-JENNAIR (1-800-536-6247)** or visit our website at **www.jennair.com**.

Our consultants provide assistance with:

- Scheduling of service. Jenn-Air® appliances designated service technicians are trained to fulfill the product warranty and provide after-warranty service anywhere in the United States.
- Features and specifications on our full line of appliances.
- Referrals to local Jenn-Air® appliance dealers.
- Installation information.
- Use and maintenance procedures.
- Accessory and repair parts sales.
- Specialized customer assistance (Spanish speaking, hearing impaired, limited vision, etc.).

For further assistance:

If you need further assistance, you can write to Jenn-Air with any questions or concerns at:

Jenn-Air Brand Home Appliances
Customer eXperience Center
553 Benson Road
Benton Harbor, MI 49022-2692

Please include a daytime phone number in your correspondence.

In Canada

Call the Jenn-Air Canada Customer eXperience Centre toll-free: **1-800-JENNAIR (1-800-536-6247)** or visit our website at **www.jennair.ca**.

Our consultants provide assistance with:

- Scheduling of service. Jenn-Air® appliances designated service technicians are trained to fulfill the product warranty and provide after-warranty service anywhere in Canada.
- Features and specifications on our full line of appliances.
- Referrals to local Jenn-Air® appliance dealers.
- Use and maintenance procedures.
- Accessory and repair parts sales.

For further assistance:

If you need further assistance, you can write to Jenn-Air Canada with any questions or concerns at:

Customer eXperience Centre
Jenn-Air Canada
200 - 6750 Century Ave.
Mississauga, Ontario L5N 0B7

Please include a daytime phone number in your correspondence.

Accessories

affresh® Cooktop Cleaner

Order Part Number W10355051

Cooktop Cleaning Pads

Order Part Number W10391473

Recirculation Kit

(for recirculation installation only)
Order Part Number W10807915

Charcoal Filters

(for recirculation installation only)
Order Part Number W10807916

JENN-AIR® COOKING LIMITED WARRANTY

ATTACH YOUR RECEIPT HERE. PROOF OF PURCHASE IS REQUIRED TO OBTAIN WARRANTY SERVICE.

Please have the following information available when you call the Customer eXperience Center:

- Name, address and telephone number
- Model number and serial number
- A clear, detailed description of the problem
- Proof of purchase including dealer or retailer name and address

IF YOU NEED SERVICE:

1. Before contacting us to arrange service, please determine whether your product requires repair. Some questions can be addressed without service. Please take a few minutes to review the Troubleshooting or Problem Solver section of the Use and Care Guide, scan the QR code on the right to access additional resources, or visit <https://jennair.custhelp.com>.
2. All warranty service is provided exclusively by our authorized Jenn-Air Service Providers. In the U.S. and Canada, direct all requests for warranty service to:



Jenn-Air Customer eXperience Center
1-800-JENNAIR (1-800-536-6247).

<https://jennair.custhelp.com>

If outside the 50 United States or Canada, contact your authorized Jenn-Air dealer to determine whether another warranty applies.

FIVE YEAR LIMITED WARRANTY

WHAT IS COVERED

TWO YEAR LIMITED WARRANTY (PARTS & LABOR)

For two years from the date of purchase, when this major appliance is installed, operated and maintained according to instructions attached to or furnished with the product, Jenn-Air brand of Whirlpool Corporation or Whirlpool Canada, LP (hereafter "Jenn-Air") will pay for factory specified replacement parts and repair labor to correct defects in materials or workmanship that existed when this major appliance was purchased or, at its sole discretion replace the product. In the event of product replacement, your appliance will be warranted for the remaining term of the original unit's warranty period.

THIRD THROUGH FIFTH YEAR LIMITED WARRANTY (CERTAIN COMPONENT PARTS ONLY - LABOR NOT INCLUDED)

In the third through fifth years from the date of original purchase, when this major appliance is installed, operated and maintained according to instructions attached to or furnished with the product, Jenn-Air will pay for factory specified parts for the following components to correct non-cosmetic defects in materials or workmanship in these parts that prevent function of this major appliance and that existed when this major appliance was purchased. This is a limited 5-year warranty on the below named parts only and does not include repair labor.

- Electric element
- Touch Pad and microprocessor
- Glass ceramic cooktop: if due to thermal breakage
- Electronic controls
- Magnetron tube
- Sealed gas burners

YOUR SOLE AND EXCLUSIVE REMEDY UNDER THIS LIMITED WARRANTY SHALL BE PRODUCT REPAIR AS PROVIDED HEREIN. Service must be provided by a Jenn-Air designated service company. This limited warranty is valid only in the United States or Canada and applies only when the major appliance is used in the country in which it was purchased. This limited warranty is effective from the date of original consumer purchase. Proof of original purchase date is required to obtain service under this limited warranty.

WHAT IS NOT COVERED

1. Commercial, non-residential, multiple-family use, or use inconsistent with published user, operator or installation instructions.
2. In-home instruction on how to use your product.
3. Service to correct improper product maintenance or installation, installation not in accordance with electrical or plumbing codes or correction of household electrical or plumbing (i.e. house wiring, fuses or water inlet hoses).
4. Consumable parts (i.e. light bulbs, batteries, air or water filters, preservation solutions, etc.).
5. Defects or damage caused by the use of non-genuine Jenn-Air parts or accessories.
6. Conversion of products from natural gas or L.P. gas.
7. Damage from accident, misuse, abuse, fire, floods, acts of God or use with products not approved by Jenn-Air.
8. Repairs to parts or systems to correct product damage or defects caused by unauthorized service, alteration or modification of the appliance.
9. Cosmetic damage including scratches, dents, chips, and other damage to the appliance finishes unless such damage results from defects in materials and workmanship and is reported to Jenn-Air within 30 days.
10. Discoloration, rust or oxidation of surfaces resulting from caustic or corrosive environments including but not limited to high salt concentrations, high moisture or humidity or exposure to chemicals.
11. Food or medicine loss due to product failure.
12. Pick-up or delivery. This product is intended for in-home repair.
13. Travel or transportation expenses for service in remote locations where an authorized Jenn-Air servicer is not available.
14. Removal or reinstallation of inaccessible appliances or built-in fixtures (i.e. trim, decorative panels, flooring, cabinetry, islands, countertops, drywall, etc.) that interfere with servicing, removal or replacement of the product.
15. Service or parts for appliances with original model/serial numbers removed, altered or not easily determined.

The cost of repair or replacement under these excluded circumstances shall be borne by the customer.

DISCLAIMER OF IMPLIED WARRANTIES

IMPLIED WARRANTIES, INCLUDING ANY IMPLIED WARRANTY OF MERCHANTABILITY OR IMPLIED WARRANTY OF FITNESS FOR A PARTICULAR PURPOSE, ARE LIMITED TO ONE YEAR OR THE SHORTEST PERIOD ALLOWED BY LAW. Some states and provinces do not allow limitations on the duration of implied warranties of merchantability or fitness, so this limitation may not apply to you. This warranty gives you specific legal rights, and you also may have other rights that vary from state to state or province to province.

DISCLAIMER OF REPRESENTATIONS OUTSIDE OF WARRANTY

Jenn-Air makes no representations about the quality, durability, or need for service or repair of this major appliance other than the representations contained in this warranty. If you want a longer or more comprehensive warranty than the limited warranty that comes with this major appliance, you should ask Jenn-Air or your retailer about buying an extended warranty.

LIMITATION OF REMEDIES; EXCLUSION OF INCIDENTAL AND CONSEQUENTIAL DAMAGES

YOUR SOLE AND EXCLUSIVE REMEDY UNDER THIS LIMITED WARRANTY SHALL BE PRODUCT REPAIR AS PROVIDED HEREIN. JENN-AIR SHALL NOT BE LIABLE FOR INCIDENTAL OR CONSEQUENTIAL DAMAGES. Some states and provinces do not allow the exclusion or limitation of incidental or consequential damages, so these limitations and exclusions may not apply to you. This warranty gives you specific legal rights, and you also may have other rights that vary from state to state or province to province.

SÉCURITÉ DU SYSTÈME D'EXTRACTION PAR LE BAS

Votre sécurité et celle des autres est très importante.

Nous donnons de nombreux messages de sécurité importants dans ce manuel et sur votre appareil ménager. Assurez-vous de toujours lire tous les messages de sécurité et de vous y conformer.



Voici le symbole d'alerte de sécurité.

Ce symbole d'alerte de sécurité vous signale les dangers potentiels de décès et de blessures graves à vous et à d'autres.

Tous les messages de sécurité suivront le symbole d'alerte de sécurité et le mot "DANGER" ou "AVERTISSEMENT". Ces mots signifient :

⚠ DANGER

Risque possible de décès ou de blessure grave si vous ne suivez pas immédiatement les instructions.

⚠ AVERTISSEMENT

Risque possible de décès ou de blessure grave si vous ne suivez pas les instructions.

Tous les messages de sécurité vous diront quel est le danger potentiel et vous disent comment réduire le risque de blessure et ce qui peut se produire en cas de non-respect des instructions.

Avertissements de la proposition 65 de l'État de Californie :

AVERTISSEMENT : Ce produit contient au moins un produit chimique connu par l'État de Californie pour être à l'origine de cancers.

AVERTISSEMENT : Ce produit contient au moins un produit chimique connu par l'État de Californie pour être à l'origine de malformations et autres déficiences de naissance.

IMPORTANTES INSTRUCTIONS DE SÉCURITÉ

AVERTISSEMENT : POUR RÉDUIRE LE RISQUE D'INCENDIE, CHOC ÉLECTRIQUE OU DOMMAGES CORPORELS, RESPECTER LES INSTRUCTIONS SUIVANTES :

- Utiliser cet appareil uniquement dans les applications envisagées par le fabricant. Pour toute question, contacter le fabricant.
- Avant d'entreprendre un travail d'entretien ou de nettoyage, interrompre l'alimentation de la hotte au niveau du tableau de disjoncteurs, et verrouiller le tableau de disjoncteurs pour empêcher tout rétablissement accidentel de l'alimentation du circuit. Lorsqu'il n'est pas possible de verrouiller le tableau de disjoncteurs, placer sur le tableau de disjoncteurs une étiquette d'avertissement proéminente interdisant le rétablissement de l'alimentation.
- Tout travail d'installation ou câblage électrique doit être réalisé par une personne qualifiée, dans le respect des prescriptions de tous les codes et normes applicables, y compris les codes du bâtiment et de protection contre les incendies.
- Ne pas faire fonctionner un ventilateur dont le cordon ou la fiche est endommagé(e). Jeter le ventilateur ou le retourner à un centre de service agréé pour examen et/ou réparation.
- Une source d'air de débit suffisant est nécessaire pour le fonctionnement correct de tout appareil à gaz (combustion et évacuation des gaz à combustion par la cheminée), pour qu'il n'y ait pas de reflux des gaz de combustion. Respecter les directives du fabricant de l'équipement de chauffage et les prescriptions des normes de sécurité - comme celles publiées par la National Fire Protection Association (NFPA) et l'American Society for Heating, Refrigeration and Air Conditioning Engineers (ASHRAE), et les prescriptions des autorités réglementaires locales.
- Lors des opérations de découpage et de perçage dans un mur ou un plafond, ne pas endommager les câblages électriques et les canalisations qui peuvent s'y trouver.
- Les ventilateurs d'évacuation doivent toujours décharger l'air à l'extérieur.

MISE EN GARDE : Cet appareil est conçu uniquement pour la ventilation générale. Ne pas l'utiliser pour l'extraction de matières ou vapeurs dangereuses ou explosives.

MISE EN GARDE : Pour minimiser le risque d'incendie et évacuer adéquatement les gaz, veiller à acheminer l'air aspiré par un conduit jusqu'à l'extérieur - ne pas décharger l'air aspiré dans un espace vide du bâtiment comme une cavité murale, un plafond, un grenier, un vide sanitaire ou un garage.

AVERTISSEMENT : POUR RÉDUIRE LE RISQUE D'INCENDIE, UTILISER UNIQUEMENT DES CONDUITS MÉTALLIQUES.

AVERTISSEMENT : POUR MINIMISER LE RISQUE D'UN FEU DE GRAISSE SUR LA CUISINIÈRE :

- Ne jamais laisser un élément de surface fonctionner à puissance de chauffage maximale sans surveillance. Un renversement/débordement de matière grasseuse pourrait provoquer une inflammation et la génération de fumée. Utiliser une puissance de chauffage moyenne ou basse pour le chauffage d'huile.
- Veiller à toujours faire fonctionner le ventilateur de la hotte lors de la cuisson avec une puissance de chauffage élevée ou lors de la cuisson d'un mets à flamber (à savoir crêpes Suzette, cerise jubilee, steak au poivre flambé).
- Nettoyer fréquemment les ventilateurs d'extraction. Veiller à ne pas laisser la graisse s'accumuler sur les surfaces du ventilateur ou des filtres.
- Utiliser toujours un ustensile de taille appropriée. Utiliser toujours un ustensile adapté à la taille de l'élément chauffant.

AVERTISSEMENT : POUR RÉDUIRE LE RISQUE DE DOMMAGES CORPORELS APRÈS LE DÉCLENCHEMENT D'UN FEU DE GRAISSE SUR LA CUISINIÈRE, APPLIQUER LES RECOMMANDATIONS SUIVANTES :^a

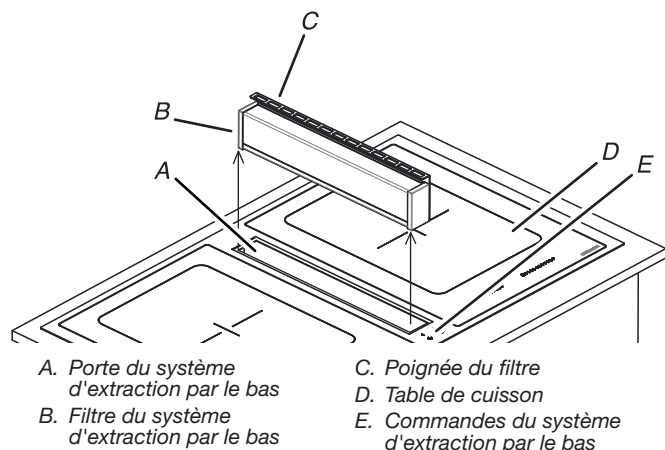
- Placer sur le récipient un couvercle bien ajusté, une tôle à biscuits ou un plateau métallique POUR ÉTOUFFER LES FLAMMES, puis éteindre le brûleur. VEILLER À ÉVITER LES BRÛLURES. Si les flammes ne s'éteignent pas immédiatement, ÉVACUER LA PIÈCE ET APPELER LES POMPIERS.
- NE JAMAIS PRENDRE EN MAIN UN RÉCIPENT ENFLAMMÉ - vous risquez de vous brûler.
- NE PAS UTILISER D'EAU, ni un torchon humide - ceci pourrait provoquer une explosion de vapeur brûlante.
- Utiliser un extincteur SEULEMENT si :
 - Il s'agit d'un extincteur de classe ABC, dont on connaît le fonctionnement.
 - Il s'agit d'un petit feu encore limité à l'endroit où il s'est déclaré.
 - Les pompiers ont été contactés.
 - Il est possible de garder le dos orienté vers une sortie pendant l'opération de lutte contre le feu.

^aRecommandations tirées des conseils de sécurité en cas d'incendie de cuisine publiés par la NFPA.

- **AVERTISSEMENT :** Pour réduire le risque d'incendie ou de choc électrique, ne pas utiliser ce ventilateur avec un quelconque dispositif de réglage de la vitesse à semi-conducteurs.

LIRE ET CONSERVER CES INSTRUCTIONS

UTILISATION DU SYSTÈME D'EXTRACTION PAR LE BAS

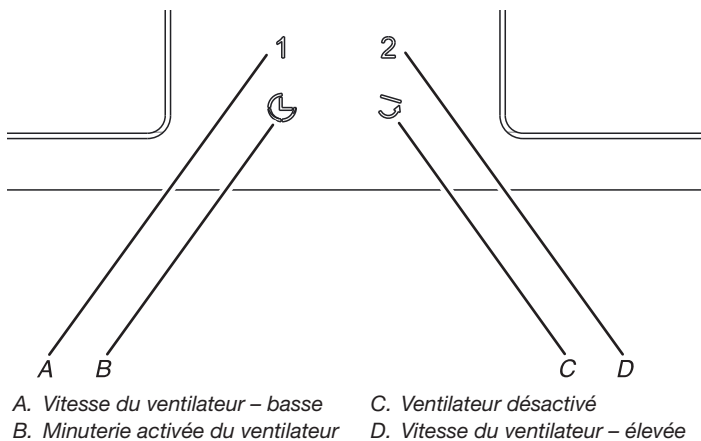


Le système d'extraction par le bas est prévu pour éliminer les vapeurs, odeurs et fumées de cuisson. Le système d'extraction par le bas se compose d'un filtre d'évacuation, d'un conduit de ventilation et d'un ventilateur d'évacuation.

- Pour optimiser la performance, le système d'extraction par le bas devrait être activé avant d'entreprendre une cuisson.
- Il peut être nécessaire d'employer une puissance de chauffage plus élevée lorsque le système d'extraction par le bas est activé.
- La poignée du filtre d'évacuation doit se situer au côté droit de l'ouverture du filtre lorsqu'on est en face de la table de cuisson. Voir l'illustration précédente.

IMPORTANT : Ne faire fonctionner le système d'extraction par le bas que si le filtre d'évacuation est bien installé. Nettoyer le filtre régulièrement. Une utilisation sans décharge (recyclage) nécessite l'installation de l'accessoire de recyclage.

Utilisation :



Activation du système d'extraction par le bas :

1. Pousser vers le bas le côté droit de la porte du système d'extraction. Un aimant maintient la porte ouverte.
REMARQUE : Le système d'extraction par le bas ne fonctionne pas si la porte est fermée.
2. Appuyer sur la touche "1" pendant une seconde pour activer le système d'extraction par le bas à une vitesse basse. Appuyer sur la touche "2" pendant une seconde pour activer le système d'extraction par le bas à une vitesse élevée.

REMARQUE : Le système d'extraction par le bas comprend un mode de minuterie activée. Appuyer sur la touche "Timer On" (minuterie activée) pendant environ une seconde pour activer le système d'extraction par le bas à une vitesse basse. Le système d'extraction par le bas ne fonctionne qu'à basse vitesse et s'éteint après un délai de 15 minutes en mode de minuterie activée.

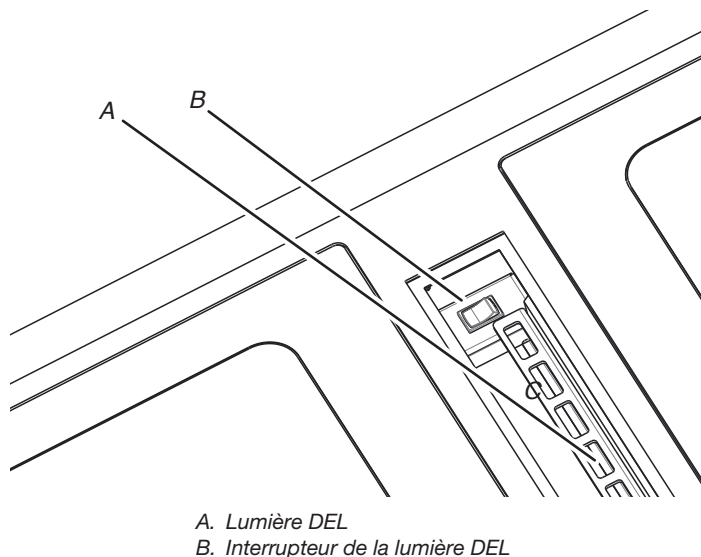
Désactivation du système d'extraction par le bas :

1. Appuyer sur la touche Blower Off (ventilateur désactivé) pendant une seconde pour éteindre le ventilateur du système d'extraction par le bas et fermer la porte du système d'extraction par le bas.

REMARQUE : Enlever les étiquettes d'instruction portant sur le système d'extraction de la table de cuisson avant d'utiliser la table de cuisson.

Luminosité DEL

Une DEL en dessous de la porte du système d'extraction par le bas s'allume automatiquement lorsque la porte est ouverte. Pour éteindre la DEL lorsque la porte est ouverte, appuyer sur l'interrupteur de la DEL.



ENTRETIEN DU SYSTÈME D'EXTRACTION PAR LE BAS

Nettoyage général

IMPORTANT : Avant le nettoyage, s'assurer que toutes les commandes sont éteintes et que la table de cuisson est refroidie. Toujours suivre les instructions figurant sur les étiquettes des produits de nettoyage.

L'usage de savon, d'eau et d'un chiffon doux ou d'une éponge est suggéré en priorité, sauf indication contraire.

Système d'extraction par le bas

Ne pas utiliser de laine d'acier, de poudre à récurer abrasive, d'eau de Javel, de produit antirouille ou d'ammoniaque, car ces produits peuvent endommager la surface.

Salissure légère à modérée

- Peut se nettoyer avec des essuie-tout ou une éponge humide. Pour les petites taches, on peut utiliser le nettoyant et le tampon à nettoyer.

Souillure épaisse, rayures foncées, piqûres et décoloration

- Utiliser le nettoyant pour table de cuisson affresh® ou un nettoyant non abrasif et les tampons à nettoyer les tables de cuisson.

Filtre du système d'extraction par le bas

Le filtre à graisse pour le système d'extraction par le bas doit être nettoyé régulièrement. L'accumulation de la graisse diminue la performance du système d'extraction par le bas.

Nettoyage du filtre d'évacuation métallique :

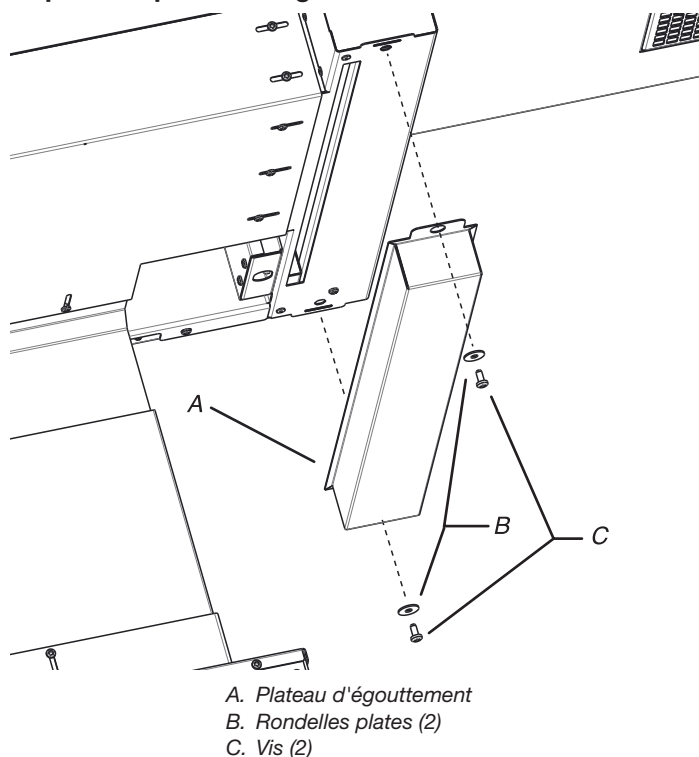
1. Ouvrir la porte du filtre d'évacuation et ôter le filtre d'évacuation.
2. Nettoyer le filtre en le lavant avec du savon à vaisselle doux dans une eau tiède.

REMARQUE : Le filtre métallique à graisse peut être nettoyé en le lavant à la main ou dans un lave-vaisselle avec du savon à vaisselle doux à une basse température. Ne pas utiliser des produits de nettoyage multi-phase ou ne pas nettoyer à une température supérieure à 130 °F (54 °C).

Plateau d'égouttement

Si un renversement a lieu sur la table de cuisson et dans la zone du système d'extraction par le bas, éteindre la table de cuisson et le système d'extraction dès que possible. Laisser refroidir la surface de cuisson, ôter le filtre du système d'extraction par le bas, puis nettoyer au besoin. Nettoyer la zone du système d'extraction par le bas. Le plateau d'égouttement doit toujours être enlevé, vidé et nettoyé en cas de renversement ou de débordement. Le plateau d'égouttement doit être fréquemment enlevé, vidé et nettoyé afin d'éviter le débordement du plateau d'égouttement et les odeurs éventuels.

Dépose du plateau d'égouttement :



1. Utiliser un tournevis T20®† Torx® et ôter les 2 vis et rondelles des trous sur le plateau d'égouttement.
2. Enlever le plateau d'égouttement et jeter les liquides et l'accumulation de graisse qui se trouvent à l'intérieur. Nettoyer l'intérieur et l'extérieur du plateau d'égouttement avec de l'eau savonneuse tiède, puis rincer et sécher.

Installation du plateau d'égouttement :

REMARQUE : Le plateau d'égouttement doit toujours être fixé au système d'extraction par le bas sauf si un nettoyage s'avère nécessaire.

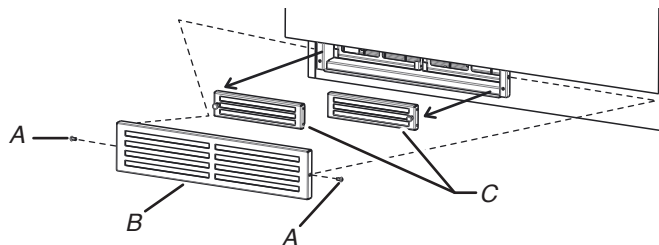
1. Replacer le plateau d'égouttement au bas du système d'extraction par le bas et poser les 2 vis et rondelles. Serrer les vis à l'aide d'un tournevis T20®† Torx®.

Recyclage des filtres

Si le système d'extraction par le bas est configuré pour le recyclage, se servir de l'ensemble de recyclage qui comprend 2 filtres au charbon. Les filtres au charbon doivent être remplacés tous les 3 ans ou si nécessaire plus fréquemment en raison de l'intensité de cuisson. Les filtres au charbon sont situés derrière le couvercle de recyclage.

REMARQUE : Ces filtres au charbon ne peuvent pas être lavés ou régénérés.

Dépose du filtre à charbon :



- A. Vis (2)
- B. Couvercle du système de recyclage
- C. Filtres à charbon (2)

1. En utilisant un tourne-écrou de $\frac{3}{16}$ " , enlever 2 vis des extrémités du couvercle du système de recyclage. Retirer le couvercle et le mettre de côté.
2. Retirer les filtres au charbon en tirant les poignées des filtres vers l'extérieur.
3. Remplacer les filtres par de nouveaux filtres au charbon. Pour commander un ensemble de filtre à charbon de rechange, voir la section "Assistance ou service".
4. Réinstaller le couvercle du système de recyclage et le fixer avec les 2 vis. Serrer les vis à l'aide du tourne-écrou.

DÉPANNAGE

Essayer d'abord les solutions suggérées ici. Pour obtenir de l'aide ou des conseils qui permettront peut-être d'éviter une intervention de dépannage, consulter la page de garantie de ce manuel et balayer le code QR avec votre appareil mobile, ou visiter le site Web <http://jennair.custhelp.com>. Au Canada, visiter le site Internet <http://www.jennair.ca>.

Il est possible d'adresser ses commentaires ou questions par courrier à l'adresse ci-dessous :

Aux États-Unis :

Jenn-Air Brand Home Appliances
Centre pour l'eXpérience de la clientèle
553 Benson Road
Benton Harbor, MI 49022-2692

Au Canada :

Jenn-Air Brand Home Appliances
Centre d'eXpérience pour la clientèle
200 – 6750 Century Ave.
Mississauga, Ontario L5N 0B7

N'oubliez pas d'indiquer dans votre correspondance un numéro de téléphone où l'on peut vous joindre dans la journée.

Problème	Causes et/ou solutions possibles
Rien ne fonctionne	<p>L'appareil est-il correctement raccordé? Appeler pour demander une intervention de dépannage. Voir la section "Garantie" pour plus de renseignements.</p> <p>Un fusible est-il grillé ou un disjoncteur s'est-il déclenché? Remplacer le fusible ou réenclencher le disjoncteur. Si le problème persiste, faire un appel de service. Voir la section "Garantie" pour plus de renseignements.</p> <p>La porte du système d'extraction par le bas est-elle fermée? Si la porte du système d'extraction est fermée, pousser vers le bas le côté droit de la porte du système d'extraction. Un aimant maintient la porte ouverte. Si la porte du système d'extraction ne reste pas ouverte, il se peut que le système d'extraction ne soit pas connecté à la boîte de connexions électriques. Appeler pour demander une intervention de dépannage. Voir la section "Garantie" pour plus de renseignements.</p>
Mouvement d'air insuffisant	<p>Le filtre est-il installé à l'envers? La poignée du filtre doit se trouver sur le côté droit de l'ouverture du filtre. Voir la section "Utilisation du système d'extraction par le bas".</p> <p>Il y a-t-il une obstruction dans le système de ventilation ou le clapet? Vérifier la présence d'obstructions dans le système de ventilation.</p> <p>Le clapet est-il obstrué ou ne fonctionne-t-il pas correctement? Vérifier la présence d'obstructions ou de coincement au niveau du clapet.</p>

ASSISTANCE OU SERVICE

Si vous avez besoin de service :

Consultez la page de garantie du présent manuel.

Si vous avez besoin de pièces de rechange :

Si vous avez besoin de commander des pièces de rechange, nous vous recommandons d'utiliser seulement des pièces spécifiées par l'usine. Les pièces de rechange spécifiées par l'usine fonctionneront bien parce qu'elles sont fabriquées selon la même précision que celle utilisée pour fabriquer chaque nouvel appareil Jenn-Air®.

Pour savoir où trouver des pièces d'usine spécifiques dans votre région, appelez-nous ou contactez le centre de service désigné par Jenn-Air le plus proche.

Aux É.-U.

Téléphonez sans frais au Centre pour l'eXpérience de la clientèle de Jenn-Air au : **1 800 JENNAIR (1 800 536-6247)** ou visitez notre site Web au **www.jennair.com**.

Nos consultants peuvent vous aider sur les points suivants :

- Programmation d'une intervention de dépannage. Les techniciens de service désignés par la gamme des appareils électroménagers Maytag® sont formés pour remplir la garantie des produits et fournir un service après garantie partout aux États-Unis.
- Caractéristiques et spécifications de notre gamme complète d'appareils ménagers.
- Consultez le revendeur local d'appareils Jenn-Air®.
- Renseignements sur l'installation.
- Procédures d'utilisation et d'entretien.
- Vente d'accessoires et de pièces de rechange.
- Assistance spécialisée au client (langue espagnole, malentendants, malvoyants, etc.).

Pour plus d'assistance :

Si vous avez besoin de plus d'assistance, vous pouvez écrire à Jenn-Air en soumettant toute question ou tout problème à :

Jenn-Air Brand Home Appliances
Centre pour l'eXpérience de la clientèle
553 Benson Road
Benton Harbor, MI 49022-2692

Ne pas oublier d'indiquer dans votre correspondance un numéro de téléphone où l'on peut vous joindre dans la journée.

Au Canada

Téléphonez sans frais au Centre pour l'eXpérience de la clientèle canadien de Jenn-Air au : **1 800 JENNAIR (1 800 536-6247)** ou visitez notre site Web au **www.jennair.ca**.

Nos consultants peuvent vous aider sur les points suivants :

- Programmation d'une intervention de dépannage. Les techniciens de service désignés par Jenn-Air® sont formés pour remplir la garantie des produits et fournir un service après la garantie, partout au Canada.
- Caractéristiques et spécifications de notre gamme complète d'appareils ménagers.
- Consultez le revendeur local d'appareils Jenn-Air®.
- Procédures d'utilisation et d'entretien.
- Vente d'accessoires et de pièces de rechange.

Pour plus d'assistance :

Si vous avez besoin de plus d'assistance, vous pouvez écrire à Jenn-Air Canada en soumettant toute question ou tout problème à :

Centre d'eXpérience pour la clientèle
Jenn-Air Canada :
200 - 6750 Century Ave.
Mississauga, Ontario L5N 0B7

N'oubliez pas d'indiquer dans votre correspondance un numéro de téléphone où l'on peut vous joindre dans la journée.

Accessoires

Nettoyant pour table de cuisson affresh®

Commander la pièce n° W10355051

Tampons nettoyeurs pour la table de cuisson

Commander la pièce n° W10391473

Ensemble de recyclage

(installations avec recyclage seulement)
Commander la pièce n° W10807915

Filtres au charbon

(installations avec recyclage seulement)
Commander la pièce n° W10807916

GARANTIE LIMITÉE DES APPAREILS DE CUISSON JENN-AIR®

ATTACHEZ ICI VOTRE REÇU DE VENTE. UNE PREUVE D'ACHAT EST OBLIGATOIRE POUR OBTENIR L'APPLICATION DE LA GARANTIE.

Lorsque vous appelez le centre d'expérience de la clientèle, veuillez garder à disposition les renseignements suivants :

- Nom, adresse et numéro de téléphone
- Numéros de modèle et de série
- Une description claire et détaillée du problème rencontré
- Une preuve d'achat incluant le nom et l'adresse du marchand ou du détaillant

SI VOUS AVEZ BESOIN DE SERVICE :

1. Avant de nous contacter pour obtenir un dépannage, veuillez déterminer si des réparations sont nécessaires pour votre produit. Certains problèmes peuvent être résolus sans intervention de dépannage. Prenez quelques minutes pour parcourir la section Dépannage ou Résolution de problèmes du guide d'utilisation et d'entretien, scannez le code QR ci-contre avec votre téléphone intelligent pour accéder à des ressources supplémentaires, ou rendez-vous sur le site <https://www.jennair.ca>.
2. Tout service sous garantie doit être effectué exclusivement par nos fournisseurs de dépannage autorisés Jenn-Air. Aux É.-U. et au Canada, dirigez toutes vos demandes de service sous garantie au

Centre d'expérience de la clientèle Jenn-Air
1-800-JENNAIR (1-800-536-6247).

Si vous résidez à l'extérieur du Canada et des 50 États des États-Unis, contactez votre marchand Jenn-Air autorisé pour déterminer si une autre garantie s'applique.



<https://www.jennair.ca>

GARANTIE LIMITÉE DE CINQ ANS

CE QUI EST COUVERT

GARANTIE LIMITÉE DE DEUX ANS (PIÈCES ET MAIN-D'ŒUVRE)

Pendant deux ans à compter de la date d'achat, lorsque ce gros appareil ménager est installé, utilisé et entretenu conformément aux instructions jointes au produit ou fournies avec, la marque Jenn-Air de Whirlpool Corporation ou Whirlpool Canada, LP (ci-après désignées "Jenn-Air") paiera pour les pièces de rechange spécifiées par l'usine et pour la main-d'œuvre pour corriger les vices de matériaux ou de fabrication qui existaient déjà lorsque ce gros appareil ménager a été acheté. S'il est remplacé, l'appareil sera couvert pour la période restant à courir de la garantie limitée d'un an du produit d'origine.

GARANTIE LIMITÉE DE LA TROISIÈME À LA CINQUIÈME ANNÉE (CERTAINS COMPOSANTS UNIQUEMENT - MAIN-D'ŒUVRE NON COMPRIS)

De la troisième à la cinquième année inclusivement à compter de la date d'achat initiale, lorsque ce gros appareil ménager est installé, utilisé et entretenu conformément aux instructions jointes au produit ou fournies avec, Jenn-Air paiera pour les pièces de rechange spécifiées par l'usine concernant les composants suivants pour corriger les défauts non esthétiques de matériau ou de fabrication desdites pièces qui empêchent le gros appareil de fonctionner et qui étaient déjà présentes lorsque ce gros appareil ménager a été acheté. La présente garantie est une garantie limitée de 5 ans sur les pièces énumérées ci-dessous et elle ne comprend pas la main-d'œuvre de réparation.

- Élément électrique
- Clavier tactile et microprocesseur
- Table de cuisson en vitrocéramique : en cas de bris d'origine thermique
- Commandes électroniques
- Tube magnétron
- Brûleurs à gaz scellés

LE SEUL ET EXCLUSIF RECOURS DU CLIENT DANS LE CADRE DE LA PRÉSENTE GARANTIE LIMITÉE CONSISTE EN LA RÉPARATION PRÉVUE PAR LA PRÉSENTE. Le service doit être fourni par une compagnie de service désignée par Jenn-Air. Cette garantie limitée est valide uniquement aux États-Unis ou au Canada et s'applique exclusivement lorsque le gros appareil ménager est utilisé dans le pays où il a été acheté. La présente garantie limitée est valable à compter de la date d'achat initial par le consommateur. Une preuve de la date d'achat initial est exigée pour obtenir un dépannage dans le cadre de la présente garantie limitée.

CE QUI N'EST PAS COUVERT

1. Usage commercial, non résidentiel ou par plusieurs familles, ou non-respect des instructions de l'utilisateur, de l'opérateur ou des instructions d'installation.
2. Visite d'instruction à domicile pour montrer à l'utilisateur comment utiliser l'appareil.
3. Visites de service pour rectifier une installation ou un entretien fautifs du produit, une installation non conforme aux codes d'électricité ou de plomberie, ou la rectification de l'installation électrique ou de la plomberie du domicile (ex : câblage électrique, fusibles ou tuyaux d'arrivée d'eau du domicile).
4. Pièces consommables (ex : ampoules, batteries, filtres à air ou à eau, solutions de conservation, etc.).
5. Défauts ou dommage résultant de l'utilisation de pièces ou accessoires Jenn-Air non authentiques.
6. Conversion de votre produit du gaz naturel ou du gaz de pétrole liquéfié.
7. Dommages causés par : accident, mésusage, abus, incendie, inondations, catastrophe naturelle ou l'utilisation de produits non approuvés par Jenn-Air.
8. Réparations aux pièces ou systèmes dans le but de rectifier un dommage ou des défauts résultant d'une réparation, altération ou modification non autorisée faite à l'appareil.
9. Défauts d'apparence, notamment les éraflures, traces de choc, fissures ou tout autre dommage causés au fini de l'appareil ménager, à moins que ces dommages ne résultent de vices de matériaux ou de fabrication et ne soient signalés à Jenn-Air dans les 30 jours suivant la date d'achat.
10. Décoloration, rouille ou oxydation des surfaces résultant d'environnements caustiques ou corrosifs incluant des concentrations élevées de sel, un haut degré d'humidité ou une exposition à des produits chimiques.
11. Perte d'aliments ou de médicaments due à la défaillance du produit.
12. Enlèvement ou livraison. Ce produit est conçu pour être réparé au domicile.
13. Frais de déplacement et de transport pour le dépannage/la réparation dans une région éloignée où une compagnie de service Jenn-Air autorisée n'est pas disponible.
14. Retrait ou réinstallation d'appareils inaccessibles ou de dispositifs préinstallés (ex : garnitures, panneaux décoratifs, plancher, meubles, îlots de cuisine, plans de travail, panneaux de gypse, etc.) qui entravent le dépannage, le retrait ou le remplacement du produit.
15. Service et pièces pour des appareils dont les numéros de série et de modèle originaux ont été enlevés, modifiés ou ne peuvent pas être facilement identifiés.

Le coût d'une réparation ou d'un remplacement dans le cadre de ces circonstances exclues est à la charge du client.

CLAUSE D'EXONÉRATION DE RESPONSABILITÉ AU TITRE DES GARANTIES IMPLICITES

LES GARANTIES IMPLICITES, Y COMPRIS LES GARANTIES APPLICABLES DE QUALITÉ MARCHANDE OU D'APTITUDE À UN USAGE PARTICULIER, SONT LIMITÉES À UN AN OU À LA PLUS COURTE PÉRIODE AUTORISÉE PAR LA LOI. Certains États et provinces ne permettent pas de limitation sur la durée des garanties implicites de qualité marchande ou d'aptitude à un usage particulier, de sorte que la limitation ci-dessus peut ne pas être applicable dans votre cas. Cette garantie vous confère des droits juridiques spécifiques et vous pouvez également jouir d'autres droits qui peuvent varier d'une juridiction à l'autre.

EXONÉRATION DE RESPONSABILITÉ DANS LES DOMAINES NON COUVERTS PAR LA GARANTIE

Jenn-Air décline toute responsabilité au titre de la qualité, de la durabilité ou en cas de dépannage ou de réparation nécessaire sur ce gros appareil ménager autre que les responsabilités énoncées dans la présente garantie. Si vous souhaitez une garantie plus étendue ou plus complète que la garantie limitée fournie avec ce gros appareil ménager, adressez-vous à Jenn-Air ou à votre détaillant pour obtenir les modalités d'achat d'une garantie étendue.

LIMITATION DES RECOURS; EXCLUSION DES DOMMAGES FORTUITS OU INDIRECTS

LE SEUL ET EXCLUSIF RECOURS DU CLIENT DANS LE CADRE DE LA PRÉSENTE GARANTIE LIMITÉE CONSISTE EN LA RÉPARATION PRÉVUE PAR LA PRÉSENTE. JENN-AIR N'ASSUME AUCUNE RESPONSABILITÉ POUR LES DOMMAGES FORTUITS OU INDIRECTS. Certains États et certaines provinces ne permettent pas l'exclusion ou la limitation des dommages fortuits ou indirects de sorte que ces limitations et exclusions peuvent ne pas être applicables dans votre cas. Cette garantie vous confère des droits juridiques spécifiques et vous pouvez également jouir d'autres droits qui peuvent varier d'une juridiction à l'autre.

12/14