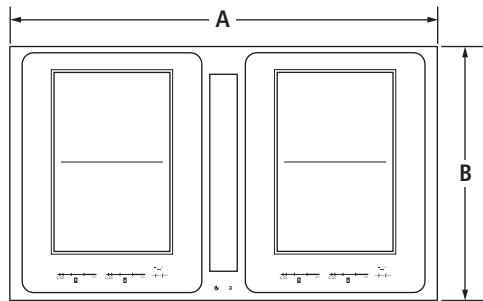


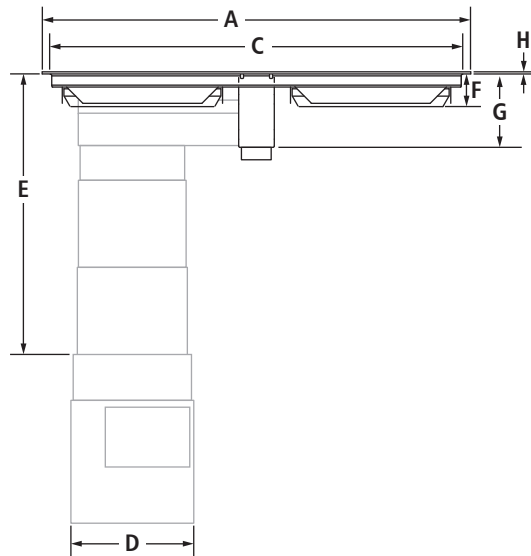
36" INDUCTION DOWNDRAFT COOKTOP WITH ELECTRONIC TOUCH CONTROL

JID4436ES – 36" x 7⁹/₁₆" x 21¹/₃₂"

PRODUCT DIMENSIONS

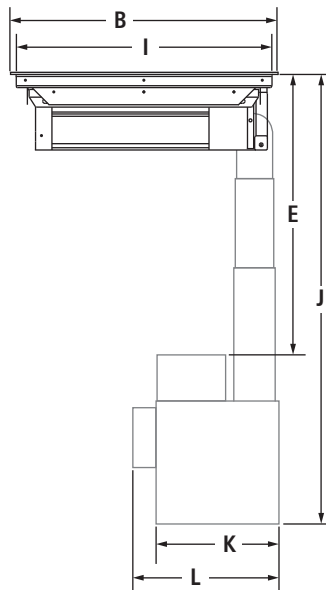


TOP VIEW



FRONT VIEW

MODEL #		JID4436ES	
		in	cm
A	Overall width	36	91.4
B	Overall depth	21 ¹¹ / ₃₂	54.2
C	Width of recessed cooktop	34 ⁹ / ₁₆	87.8
D	Width of blower motor assembly	11 ¹ / ₈	28.2
E	Height from blower housing assembly to countertop (min.-max.)	14 ⁹ / ₁₆ - 21 ¹ / ₄	37.0 54.0
F	Height of recessed cooktop	2 ⁹ / ₁₆	6.5
G	Height from electrical housing to countertop	7 ⁹ / ₁₆	19.2
H	Height of cooking surface	⁵ / ₆₄	0.2
I	Depth of recessed cooktop	20 ⁹ / ₃₂	51.5
J	Height from bottom of blower housing assembly to countertop (min.-max.)	29 ¹³ / ₁₆ - 36 ¹ / ₂	75.7- 92.7
K	Depth of blower housing assembly	11 ¹ / ₁₆	28.1
L	Depth of blower housing assembly with electrical box	13 ⁷ / ₈	35.2



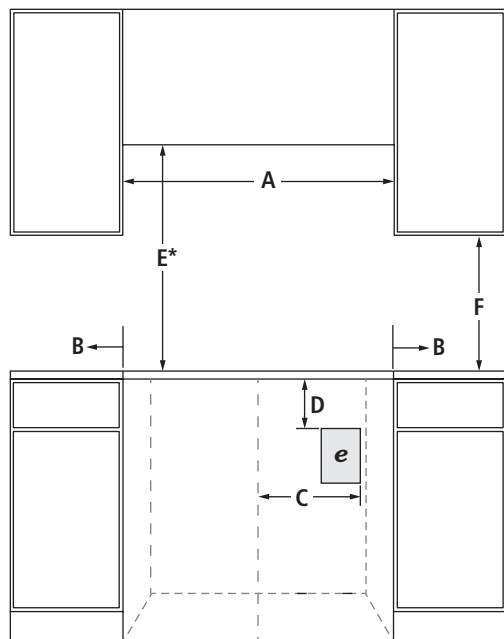
SIDE VIEW

IMPORTANT: Dimensional specifications are provided for planning purposes only. Do not make any cutouts based on this information. Refer to the Installation or Use & Care Guide before selecting cabinetry, verifying electrical/gas connections, making cutouts or beginning installation. All Jenn-Air® appliances are appropriately UL, CUL or CSA approved.

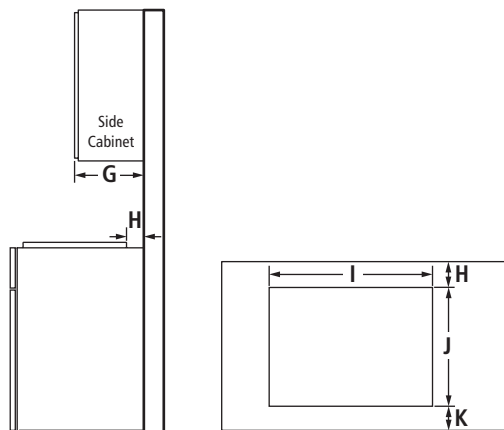
36" INDUCTION DOWNDRAFT COOKTOP WITH ELECTRONIC TOUCH CONTROL

JID4436ES – 36" x 7⁹/₁₆" x 21¹/₃₂"

OPENING/CLEARANCE DIMENSIONS



FRONT VIEW



SIDE VIEW

TOP VIEW – CUTOUT

MODEL #		JID4436ES	
		in	cm
A	Width of combustible area above cooking surface (min.)	36	91.4
B	Width from cooktop to fixed wall or other combustible material (min.)	2½	6.4
C	Width to outer edge of outlet from centerline of cabinet (max.)	24	61.0
D	Height to top edge of outlet (min.)	12	30.5
E*	Height to bottom of uncovered wood or metal cabinet above cooking surface (min.)	30	76.3
F	Height to bottom of uncovered wood or metal cabinet (min.)	18	45.7
G	Depth of upper cabinet (recommended)	13	33.0
H	Depth from cutout to wall (min.)	1½	3.8
I	Width of cutout (recommended)	35 ⁷ / ₁₆	90.0
J	Depth of cutout (recommended)	20 ⁷ / ₈	53.0
K	Depth from cutout to front of countertop	2 ¹¹ / ₁₆	6.8
e	Recommended electrical access location		

*Dimension can be reduced by 6" (15.2 cm) when bottom of wood or metal cabinet is covered by not less than ¼" (0.6 cm) flame retardant millboard covered with not less than No. 28 MSG sheet metal, 0.015" (0.4 mm) stainless steel, 0.024" (0.6 mm) aluminum or 0.020" (0.5 mm) copper.

ELECTRICAL REQUIREMENTS

120/240 volt, 60 Hz, AC only, 40-amp fused, electrical circuit is required. A dedicated circuit is required.

VENTING REQUIREMENTS

See pages 3-8 for ducting information. This cooktop must be exhausted outdoors unless using the duct-free filter kit (W10807915). Refer to kit instructions for further information.

LOCATION REQUIREMENTS

- To ensure cooktop base clearance, cabinet side walls need to be wider than the cutout.
- A minimum clearance of 6" (15.2 cm) is recommended between the side of the cooktop and side wall for maximum ventilation performance.
- A minimum clearance of 2" (5.1 cm) is recommended between the blower motor and cabinet for proper cooling. A 6" (15.2 cm) clearance is recommended for servicing access.
- An under counter built-in oven cannot be installed under this cooktop.

IMPORTANT: Dimensional specifications are provided for planning purposes only. Do not make any cutouts based on this information. Refer to the Installation or Use & Care Guide before selecting cabinetry, verifying electrical/gas connections, making cutouts or beginning installation. All Jenn-Air® appliances are appropriately UL, CUL or CSA approved.



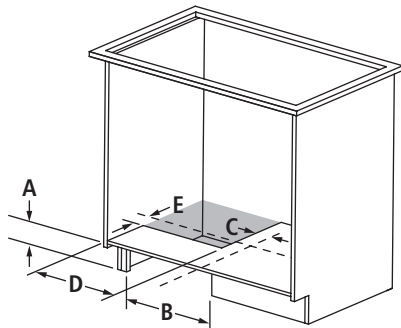
DUCT-FREE KIT

W10807915 – 18³/₈" x 8³/₄" x 4"

DUCT-FREE VENTILATION

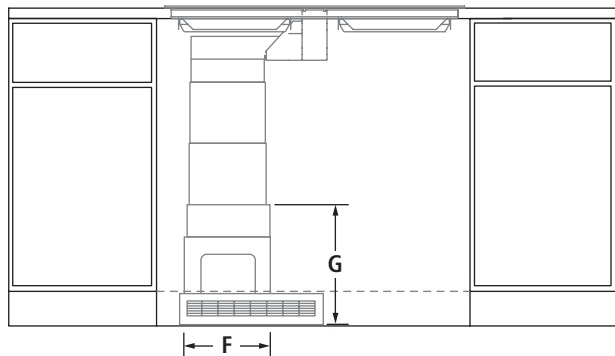
The duct-free filter kit (W10807915) is approved for use with induction downdraft cooktop model JID4436ES. The kit filters the air from the downdraft system and ventilates the conditioned air into the room through the toe kick or pedestal of the base cabinet. Do not ventilate the air from the downdraft system into the base cabinet, base cabinet pedestal, crawl space, wall or attic.

OPENING/CLEARANCE DIMENSIONS

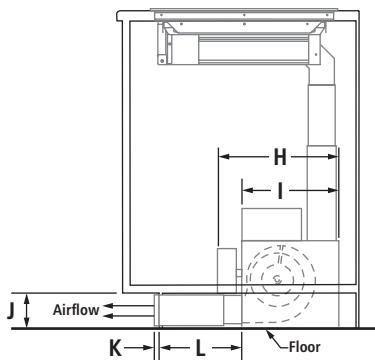


3/4 TOP VIEW – FRONT KICK PLATE RECIRCULATION

PRODUCT DIMENSIONS



FRONT VIEW – FRONT KICK PLATE RECIRCULATION



SIDE VIEW – FRONT KICK PLATE RECIRCULATION

MODEL #		W10807915	
		in	cm
A	Height of cabinet base cutout	3 ¹⁵ / ₁₆	10.0
B	Width of cabinet base cutout	17 ³ / ₆₄	43.3
C	Width from cabinet bottom cutout to centerline of cabinet	2 ¹ / ₂	6.4
D	Width of cabinet bottom cutout	14 ³ / ₄	37.5
E	Depth from front of cabinet bottom cutout to centerline of cabinet	3 ¹ / ₂	8.9
F	Width of housing	11 ¹ / ₈	28.2
G	Height of housing	15 ¹ / ₄	38.7
H	Depth of blower housing assembly with electrical box	13 ⁷ / ₈	35.2
I	Depth of housing	11 ¹ / ₁₆	28.1
J	Minimum height of toe kick	4	10.2
K	Projection from toe kick to face of duct-free cover	³ / ₄	1.9
L	Depth from toe kick to blower housing (min.)	8 ¹ / ₂	21.6

EXHAUST CUTOUT LOCATION

The cutout location in the toe kick area and the cabinet floor is dependent upon the dimensions of the cooktop and base cabinet.

IMPORTANT: Dimensional specifications are provided for planning purposes only.

Do not make any cutouts based on this information. Refer to the Installation or Use & Care Guide before selecting cabinetry, verifying electrical/gas connections, making cutouts or beginning installation. All Jenn-Air® appliances are appropriately UL, CUL or CSA approved.

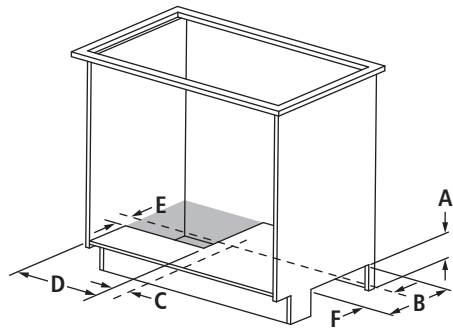
DUCT-FREE KIT

W10807915 – 18³/₈" x 8³/₄" x 4"

DUCT-FREE VENTILATION

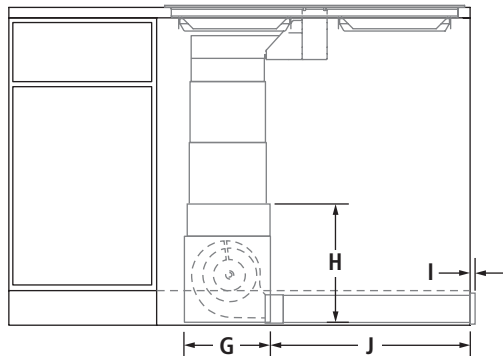
The duct-free filter kit (W10807915) is approved for use with induction downdraft cooktop model JID4436ES. The kit filters the air from the downdraft system and ventilates the conditioned air into the room through the toe kick or pedestal of the base cabinet. Do not ventilate the air from the downdraft system into the base cabinet, base cabinet pedestal, crawl space, wall or attic.

OPENING/CLEARANCE DIMENSIONS

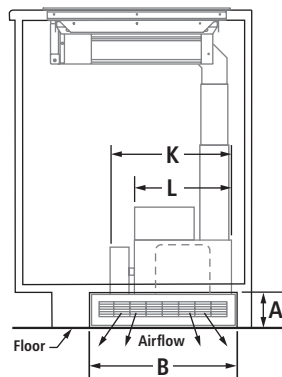


3/4 TOP VIEW – RIGHT SIDE RECIRCULATION

PRODUCT DIMENSIONS



FRONT VIEW – RIGHT SIDE RECIRCULATION



SIDE VIEW – RIGHT SIDE RECIRCULATION

MODEL #		W10807915	
		in	cm
A	Height of right side cabinet base cutout	3 ¹⁵ / ₁₆	10.0
B	Depth of right side cabinet base cutout	17 ³ / ₆₄	43.3
C	Width from cabinet bottom cutout to centerline of cabinet	2 ¹ / ₂	6.4
D	Width of cabinet bottom cutout	14 ³ / ₄	37.5
E	Depth from front of cabinet bottom cutout to centerline of cabinet	3 ¹ / ₂	8.9
F	Depth from front edge of right side cabinet base cutout to centerline of cabinet	6 ¹ / ₄	15.8
G	Width of housing	11 ¹ / ₈	28.2
H	Height of housing	15 ¹ / ₄	38.7
I	Projection from toe kick to face of duct-free cover	³ / ₄	1.9
J	Depth from toe kick to blower housing (min.)	8 ¹ / ₂	21.6
K	Depth of blower housing assembly with electrical box	13 ⁷ / ₈	35.2
L	Depth of housing	11 ¹ / ₁₆	28.1

EXHAUST CUTOUT LOCATION

The cutout location in the base pedestal and the cabinet floor is dependent upon the dimensions of the cooktop and base cabinet.

IMPORTANT: Dimensional specifications are provided for planning purposes only.

Do not make any cutouts based on this information. Refer to the Installation or Use & Care Guide before selecting cabinetry, verifying electrical/gas connections, making cutouts or beginning installation. All Jenn-Air® appliances are appropriately UL, CUL or CSA approved.

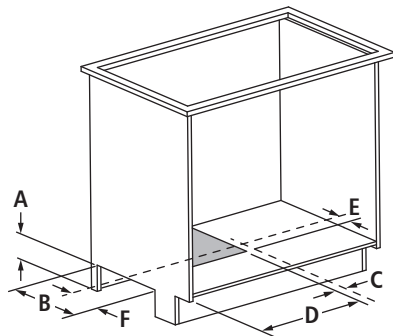
DUCT-FREE KIT

W10807915 – 18³/₈" x 8³/₄" x 4"

DUCT-FREE VENTILATION

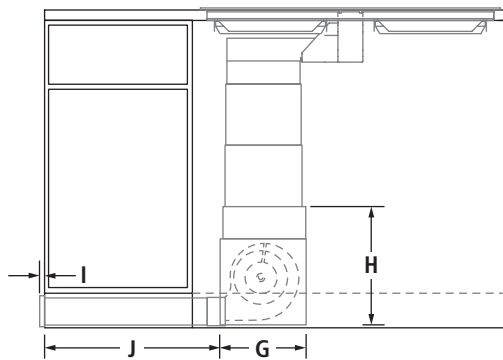
The duct-free filter kit (W10807915) is approved for use with induction downdraft cooktop model JID4436ES. The kit filters the air from the downdraft system and ventilates the conditioned air into the room through the toe kick or pedestal of the base cabinet. Do not ventilate the air from the downdraft system into the base cabinet, base cabinet pedestal, crawl space, wall or attic.

OPENING/CLEARANCE DIMENSIONS

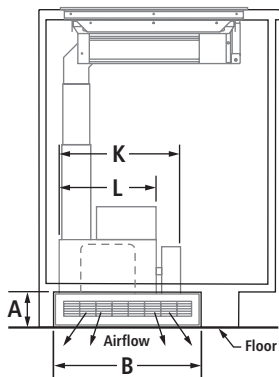


3/4 TOP VIEW – LEFT SIDE RECIRCULATION

PRODUCT DIMENSIONS



FRONT VIEW – LEFT SIDE RECIRCULATION



SIDE VIEW – LEFT SIDE RECIRCULATION

MODEL #		W10807915	
		in	cm
A	Height of left side cabinet base cutout	3 ¹⁵ / ₁₆	10.0
B	Depth of left side cabinet base cutout	17 ³ / ₆₄	43.3
C	Width from cabinet bottom cutout to centerline of cabinet	2 ¹ / ₂	6.4
D	Width of cabinet bottom cutout	14 ³ / ₄	37.5
E	Depth from front of cabinet bottom cutout to centerline of cabinet	3 ¹ / ₂	8.9
F	Depth from front edge of left side cabinet base cutout to centerline of cabinet	6 ¹ / ₄	15.8
G	Width of housing	11 ¹ / ₈	28.2
H	Height of housing	15 ¹ / ₄	38.7
I	Projection from toe kick to face of duct-free cover	³ / ₄	1.9
J	Depth from toe kick to blower housing (min.)	8 ¹ / ₂	21.6
K	Depth of blower housing assembly with electrical box	13 ⁷ / ₈	35.2
L	Depth of housing	11 ¹ / ₁₆	28.1

EXHAUST CUTOUT LOCATION

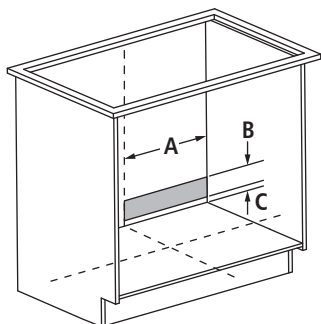
The cutout location in the base pedestal and the cabinet floor is dependent upon the dimensions of the cooktop and base cabinet.

IMPORTANT: Dimensional specifications are provided for planning purposes only. Do not make any cutouts based on this information. Refer to the Installation or Use & Care Guide before selecting cabinetry, verifying electrical/gas connections, making cutouts or beginning installation. All Jenn-Air® appliances are appropriately UL, CUL or CSA approved.

DOWNDRAFT COOKTOP DUCTING ARRANGEMENTS

The diagrams below show typical duct arrangements for downdraft cooktops. The JID4436ES induction downdraft cooktop also offers a duct-free installation option. For more details, refer to pages 3-5.

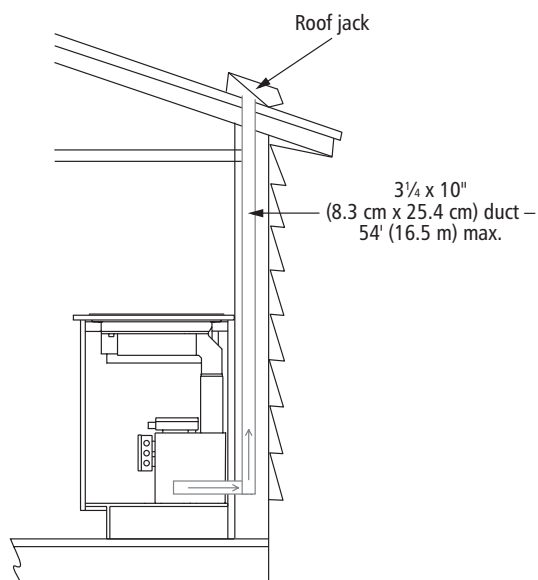
OPENING/CLEARANCE DIMENSIONS



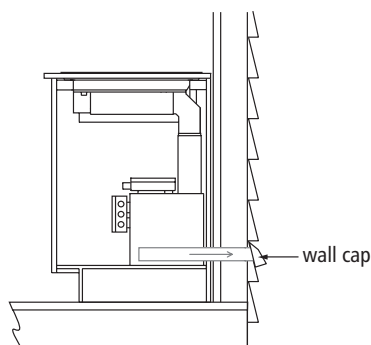
3/4 TOP VIEW – REAR DUCTING

		in	cm
A	Width of rear cabinet cutout (max.)	17	43.2
B	Height of rear cabinet cutout (min.)	4	10.2
C	Height from cabinet floor to bottom of cabinet cutout (min.)	1	2.5

DUCTING CONFIGURATIONS



REAR DUCTING IN WALL TO ROOF



REAR DUCTING THROUGH WALL TO OUTSIDE

DUCTING REQUIREMENTS

COOKTOP	DUCT LENGTH	DUCT SIZE
Electric/ Induction	10' (3.0 m) or less*	5" (12.7 cm) diameter*
	Between 10' (3.0 m) and 60' (18.3 m)	6" (15.2 cm) diameter
		3 1/4" x 10" (8.3 cm x 25.4 cm)

*May be used to vent straight out the back of the cooktop and directly through the wall.

CALCULATING MAXIMUM DUCTING LENGTH

- Maximum ducting length is 60' (18.3 m).
- Each 90° elbow equals 5' (1.5 m) duct.
- Use no more than three 90° elbows.
- Flexible metal vent is not recommended.
- Do not install two elbows together.

NOTES:

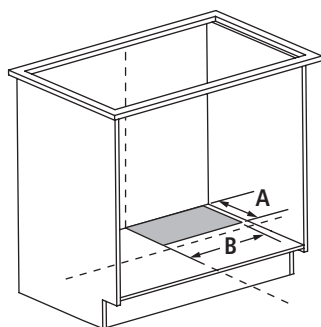
- For ducting runs up to 30' (9.1 m), install cooktop as shipped.
- For altitudes above 4500' (1372 m), reduce recommended vent run by 20% for best performance.
- For round duct installations, use transition elbow between blower housing and ducting.

IMPORTANT: Dimensional specifications are provided for planning purposes only. Do not make any cutouts based on this information. Refer to the Installation or Use & Care Guide before selecting cabinetry, verifying electrical/gas connections, making cutouts or beginning installation. All Jenn-Air® appliances are appropriately UL, CUL or CSA approved.

DOWNDRAFT COOKTOP DUCTING ARRANGEMENTS

The diagrams below show typical duct arrangements for downdraft cooktops. The JID4436ES induction downdraft cooktop also offers a duct-free installation option. For more details, refer to pages 3-5.

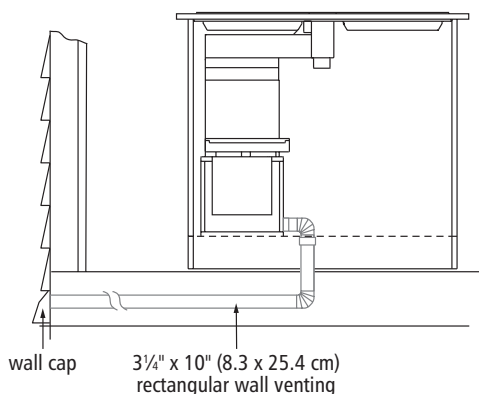
OPENING/CLEARANCE DIMENSIONS



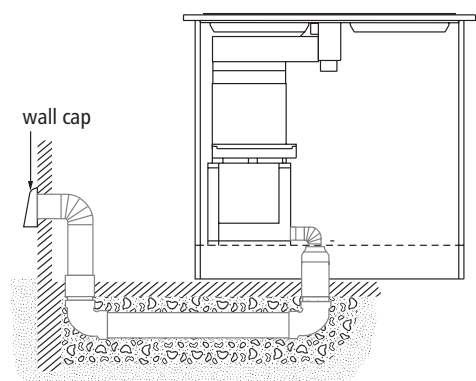
3/4 TOP VIEW – DUCTING THROUGH CABINET FLOOR

		in	cm
A	Depth of cabinet bottom cutout (min.)	11	27.9
B	Width of cabinet bottom cutout (max.)	17	43.2

DUCTING CONFIGURATIONS



THROUGH FLOOR BETWEEN JOISTS TO OUTSIDE



CONCRETE SLAB INSTALLATION THROUGH WALL TO OUTSIDE

DUCTING REQUIREMENTS

COOKTOP	DUCT LENGTH	DUCT SIZE
Electric/ Induction	10' (3.0 m) or less*	5" (12.7 cm) diameter*
	Between 10' (3.0 m) and 60' (18.3 m)	6" (15.2 cm) diameter
		3 1/4" x 10" (8.3 cm x 25.4 cm)

*May be used to vent straight out the back of the cooktop and directly through the wall.

CALCULATING MAXIMUM DUCTING LENGTH

- Maximum ducting length is 60' (18.3 m).
- Each 90° elbow equals 5' (1.5 m) duct.
- Use no more than three 90° elbows.
- Flexible metal vent is not recommended.
- Do not install two elbows together.

NOTES:

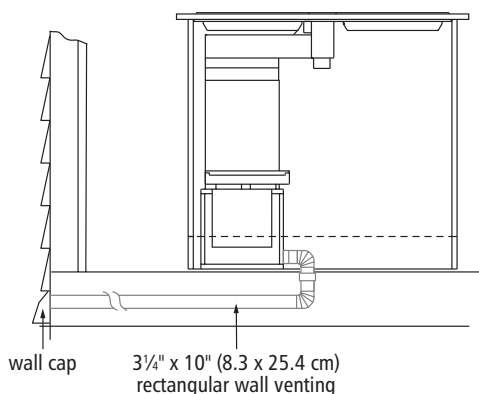
- For ducting runs up to 30' (9.1 m), install cooktop as shipped.
- For altitudes above 4500' (1372 m), reduce recommended vent run by 20% for best performance.
- For round duct installations, use transition elbow between blower housing and ducting.

IMPORTANT: Dimensional specifications are provided for planning purposes only. Do not make any cutouts based on this information. Refer to the Installation or Use & Care Guide before selecting cabinetry, verifying electrical/gas connections, making cutouts or beginning installation. All Jenn-Air® appliances are appropriately UL, CUL or CSA approved.

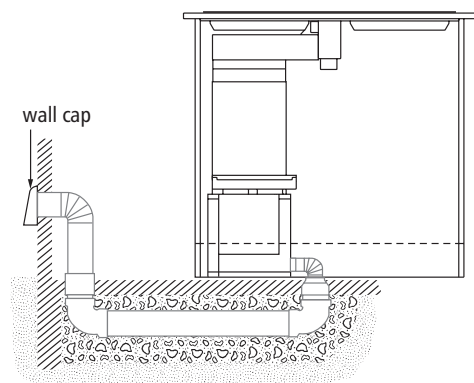
DOWNDRAFT COOKTOP DUCTING ARRANGEMENTS

The diagrams below show typical duct arrangements for downdraft cooktops. The JID4436ES induction downdraft cooktop also offers a duct-free installation option. For more details, refer to pages 3-5.

DUCTING CONFIGURATIONS



THROUGH FLOOR BETWEEN JOISTS TO OUTSIDE



CONCRETE SLAB INSTALLATION THROUGH WALL TO OUTSIDE

DUCTING REQUIREMENTS

COOKTOP	DUCT LENGTH	DUCT SIZE
Electric/ Induction	10' (3.0 m) or less*	5" (12.7 cm) diameter*
	Between 10' (3.0 m) and 60' (18.3 m)	6" (15.2 cm) diameter
		3 1/4" x 10" (8.3 cm x 25.4 cm)

*May be used to vent straight out the back of the cooktop and directly through the wall.

CALCULATING MAXIMUM DUCTING LENGTH

- Maximum ducting length is 60' (18.3 m).
- Each 90° elbow equals 5' (1.5 m) duct.
- Use no more than three 90° elbows.
- Flexible metal vent is not recommended.
- Do not install two elbows together.

NOTES:

- For ducting runs up to 30' (9.1 m), install cooktop as shipped.
- For altitudes above 4500' (1372 m), reduce recommended vent run by 20% for best performance.
- For round duct installations, use transition elbow between blower housing and ducting.

IMPORTANT: Dimensional specifications are provided for planning purposes only. Do not make any cutouts based on this information. Refer to the Installation or Use & Care Guide before selecting cabinetry, verifying electrical/gas connections, making cutouts or beginning installation. All Jenn-Air® appliances are appropriately UL, CUL or CSA approved.