



INSTALLATION INSTRUCTIONS

PRO-STYLE® GAS CONVECTION RANGES
30" (76.2 cm), 36" (91.4 cm) AND 48" (121.9 cm)
For residential use only

INSTRUCTIONS D'INSTALLATION

CUISINIÈRES À CONVECTION À GAZ PRO-STYLE®
30" (76,2 cm), 36" (91,4 cm) ET 48" (121,9 cm)
Pour utilisation résidentielle uniquement

Table of Contents/Table des matières

COOKTOP SAFETY.....	2	SÉCURITÉ DE LA CUISINIÈRE.....	17
INSTALLATION REQUIREMENTS.....	4	EXIGENCES D'INSTALLATION.....	19
Tools and Parts.....	4	Outillage et pièces.....	19
Location Requirements.....	6	Exigences d'emplacement.....	21
Electrical Requirements.....	8	Spécifications de l'installation électrique.....	23
Gas Supply Requirements.....	8	Spécifications de l'alimentation en gaz.....	23
INSTALLATION INSTRUCTIONS.....	10	INSTRUCTIONS D'INSTALLATION.....	25
Unpack the Range.....	10	Déballage de la cuisinière.....	25
Install Anti-Tip Bracket.....	11	Installation de la bride antibasculement.....	26
Make Gas Connection.....	12	Raccordement au gaz.....	27
Verify Anti-Tip Bracket Location.....	12	Vérification de l'emplacement de la bride antibasculement.....	27
Level Range.....	13	Réglage de l'aplomb de la cuisinière.....	28
Install Griddle.....	13	Installation de la plaque à frire.....	28
Complete Installation.....	13	Système d'allumage électronique.....	28
Reinstall Kick Plate.....	15	Réinstallation du garde-pieds.....	30
Complete Installation.....	15	Achever l'installation.....	30

IMPORTANT:

Save for local electrical inspector's use.

Installer: Leave installation instructions with the homeowner.

Homeowner: Keep installation instructions for future reference.

IMPORTANT :

À conserver pour consultation par l'inspecteur local des installations électriques.

Installateur : Remettre les instructions d'installation au propriétaire.

Propriétaire : Conserver les instructions d'installation pour référence ultérieure.

RANGE SAFETY

Your safety and the safety of others are very important.

We have provided many important safety messages in this manual and on your appliance. Always read and obey all safety messages.



This is the safety alert symbol.

This symbol alerts you to potential hazards that can kill or hurt you and others.

All safety messages will follow the safety alert symbol and either the word "DANGER" or "WARNING."

These words mean:

⚠ DANGER

You can be killed or seriously injured if you don't immediately follow instructions.

⚠ WARNING

You can be killed or seriously injured if you don't follow instructions.

All safety messages will tell you what the potential hazard is, tell you how to reduce the chance of injury, and tell you what can happen if the instructions are not followed.

WARNING: If the information in these instructions is not followed exactly, a fire or explosion may result causing property damage, personal injury or death.

- Do not store or use gasoline or other flammable vapors and liquids in the vicinity of this or any other appliance.
- **WHAT TO DO IF YOU SMELL GAS:**
 - Do not try to light any appliance.
 - Do not touch any electrical switch.
 - Do not use any phone in your building.
 - Immediately call your gas supplier from a neighbor's phone. Follow the gas supplier's instructions.
 - If you cannot reach your gas supplier, call the fire department.
- Installation and service must be performed by a qualified installer, service agency or the gas supplier.

WARNING: Gas leaks cannot always be detected by smell.

Gas suppliers recommend that you use a gas detector approved by UL or CSA.

For more information, contact your gas supplier.

If a gas leak is detected, follow the "What to do if you smell gas" instructions.

IMPORTANT: Do not install a ventilation system that blows air downward toward this gas cooking appliance. This type of ventilation system may cause ignition and combustion problems with this gas cooking appliance resulting in personal injury or unintended operation.

In the State of Massachusetts, the following installation instructions apply:

- Installations and repairs must be performed by a qualified or licensed contractor, plumber, or gas fitter qualified or licensed by the State of Massachusetts.
- Acceptable Shut-off Devices: Gas Cocks and Ball Valves installed for use shall be listed.
- A flexible gas connector, when used, must not exceed 4 feet (121.9 cm).



⚠ WARNING

Tip Over Hazard

A child or adult can tip the range and be killed.

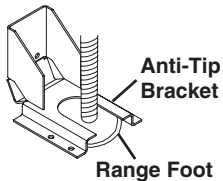
Install anti-tip bracket to floor or wall per installation instructions.

Slide range back so rear range foot is engaged in the slot of the anti-tip bracket.

Re-engage the anti-tip bracket if the range is moved.

Do not operate range without anti-tip bracket installed and engaged.

Failure to follow these instructions can result in death or serious burns to children and adults.



To verify the anti-tip bracket is installed and engaged:

- Slide range forward.
- Look for the anti-tip bracket securely attached to floor or wall.
- Slide range back so rear range foot is under anti-tip bracket.
- See installation instructions for details.

INSTALLATION REQUIREMENTS

Tools and Parts

Gather the required tools and parts before starting installation. Read and follow the instructions provided with any tools listed here.

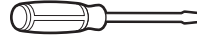
Tools Needed



Pipe wrench



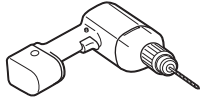
Adjustable wrench or
5/8" (16 mm) wrench



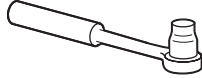
1/8" x 4 1/4" (3 mm x 100 mm)
flat-blade screwdriver



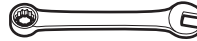
#2 Phillips screwdriver



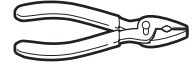
Drill



3/8" (95 mm) drive ratchet



15/16" (24 mm)
combination wrench



Pliers



Level



Tubing cutter



1/4" (6.4 mm), 3/8" (9.5 mm),
5/16" (7.9 mm) nut drivers



Marker or pencil



3/16" (4.8 mm) carbide tip
masonry bit



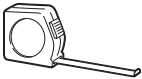
1/8" (3.2 mm) drill bit



Pipe-joint compound
resistant to Propane gas



Noncorrosive leak-detection
solution

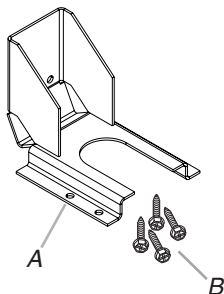


Tape measure

Parts Supplied

Check that all parts are included.

- Anti-tip bracket kit



A. Anti-tip bracket

B. #8-18 x 1" (2.5 cm) Phillips head screws (4)

NOTE: Anti-tip bracket must be securely mounted to subfloor. Thickness of flooring may require longer screws to anchor bracket to subfloor. Longer screws are available from your local hardware store. See the "Install Anti-Tip Bracket" section.

- Gas pressure regulator
- Burner grates
- Burner bases and burner caps
- Griddle drip tray (on griddle models)

Conversion Kits:

For models that start with JGRP or JLRP no conversion kits are supplied. Call service to request one of the following:

- Propane Conversion Kit P/N W10825584
- Natural Gas Conversion Kit P/N W10821163

NOTE: JLRP is factory set for Propane gas. All other models are factory set for Natural gas.

Parts Needed

All models must be installed with a backguard if installing at zero clearance to a combustible back wall surface such as drywall. Alternatively, zero clearance to a back wall is acceptable provided the surface of the entire back wall above the range and below the hood is covered with a non-combustible material such as tile or stainless steel. See "Cabinet Dimensions" in the "Location Requirements" section for installation requirements.

- 30" (76.2 cm) Adjustable Backguard
Order Part Number 8285148
- 36" (91.4 cm) Adjustable Backguard
Order Part Number 8284756
- 48" (121.9 cm) Adjustable Backguard
Order Part Number 8284755
- 22" (55.9 cm) Backsplash with Dual-Position Shelf
for 30" (76.2 cm) Ranges
Order Part Number W10285447
- 22" (55.9 cm) Backsplash with Dual-Position Shelf
for 36" (91.4 cm) Ranges
Order Part Number W10285448
- 22" (55.9 cm) Backsplash with Dual-Position Shelf
for 48" (121.9 cm) Ranges
Order Part Number W10285449

To order, see the "Assistance or Service" section of the Use and Care Guide.

Check local codes and consult gas supplier. Check existing gas supply and electrical supply. See the "Electrical Requirements" and "Gas Supply Requirements" sections.

It is recommended that all electrical connections be made by a licensed, qualified electrical installer.

High Altitude Conversion

To convert the cooktop for elevations above 6,560 ft (1,999.5 m), order a High Altitude Conversion Kit.

- Part Number W10394294: Propane gas high altitude
- Part Number W10394293: Natural gas high altitude

To order, see the "Assistance or Service" section of the Use and Care Guide.

Location Requirements

IMPORTANT: Observe all governing codes and ordinances. Do not obstruct flow of combustion and ventilation air.

- It is the installer's responsibility to comply with installation clearances specified on the model/serial/rating plate. The model/serial/rating plate is located under the console on the right-hand side.
- It is recommended that a 600 CFM (17.0 m³/hr) or larger range hood be installed above the range.
- It is not recommended that a microwave hood combination be mounted above the range.
- Recessed installations must provide complete enclosure of the sides and rear of the range.
- All openings in the wall or floor where range is to be installed must be sealed.
- Do not seal the range to the side cabinets.
- Cabinet opening dimensions that are shown must be used. Given dimensions are minimum clearances.
- The anti-tip bracket must be installed. To install the anti-tip bracket shipped with the range, see the "Install Anti-Tip Bracket" section.
- Grounded electrical supply is required. See the "Electrical Requirements" section.
- Proper gas supply connection must be available. See the "Gas Supply Requirements" section.
- Contact a qualified floor covering installer to check that the floor covering can withstand at least 200°F (93°C). Use an insulated pad or 1/4" (64 mm) plywood over carpet and under range if installing range over carpeting.

IMPORTANT: To avoid damage to your cabinets, check with your builder or cabinet supplier to make sure that the materials used will not discolor, delaminate, or sustain other damage. This oven has been designed in accordance with the requirements of UL and CSA International and complies with the maximum allowable wood cabinet temperatures of 194°F (90°C).

Mobile Home - Additional Installation Requirements

The installation of this range must conform to the Manufactured Home Construction and Safety Standard, Title 24 CFR, Part 3280 (formerly the Federal Standard for Mobile Home Construction and Safety, Title 24, HUD Part 280). When such standard is not applicable, use the Standard for Manufactured Home Installations, ANSI A225.1/NFPA 501A or local codes.

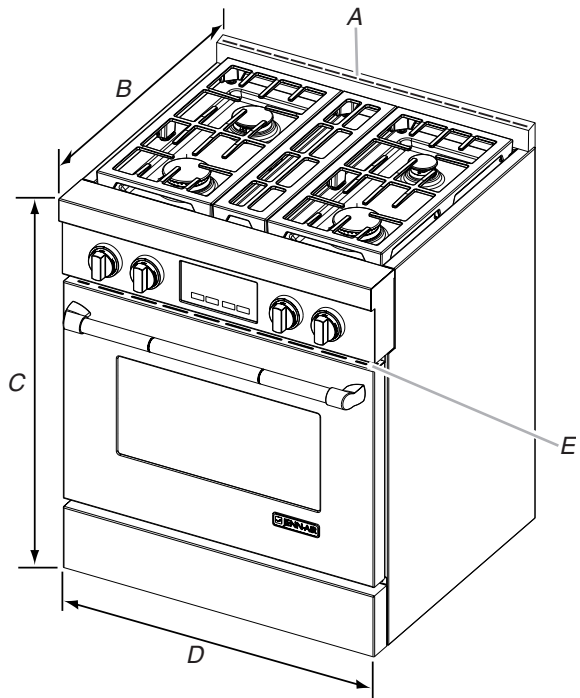
In Canada, the installation of this cooktop must conform with the current standards CAN/CSA-A240-latest edition or with local codes.

Mobile Home Installations Require:

- When this range is installed in a mobile home, it must be secured to the floor during transit. Any method of securing the range is adequate as long as it conforms to the standards listed above.

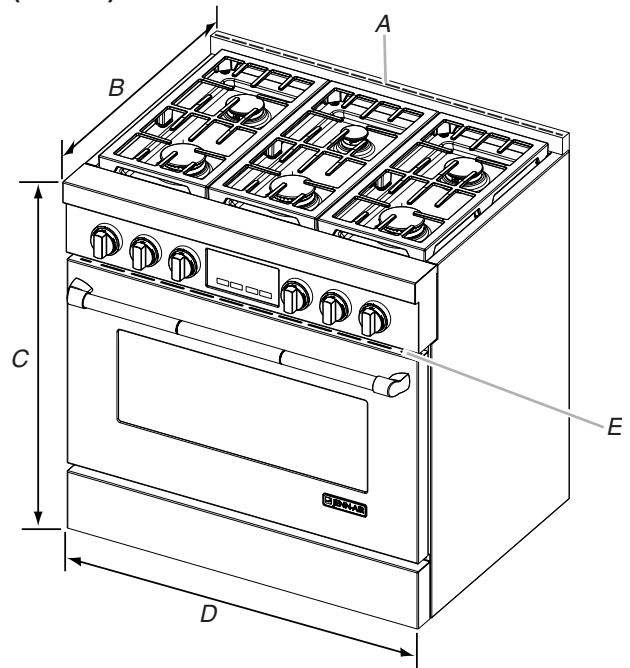
Product Dimensions

30" (76.2 cm) models



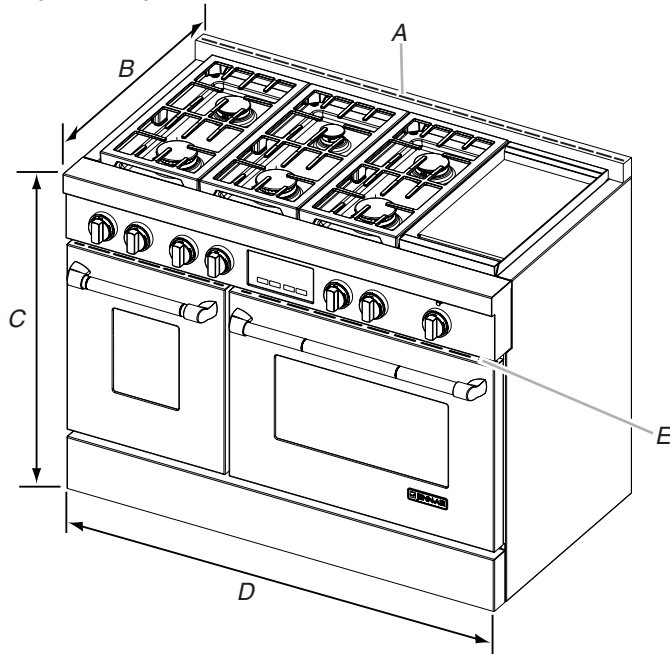
- A. Island trim
- B. 27³/₄" (70.5 cm) depth with control panel (See NOTE)
- C. 35³/₄" (90.8 cm) cooktop height when sitting on the wheels
- D. 30" (76.2 cm) width
- E. Model/serial/rating plate location

36" (91.4 cm) models



- A. Island trim
- B. 27¹/₈" (68.9 cm) depth with control panel (See NOTE)
- C. 35³/₄" (90.8 cm) cooktop height when sitting on the wheels
- D. 36" (91.4 cm) width
- E. Model/serial/rating plate location

48" (121.9 cm) models



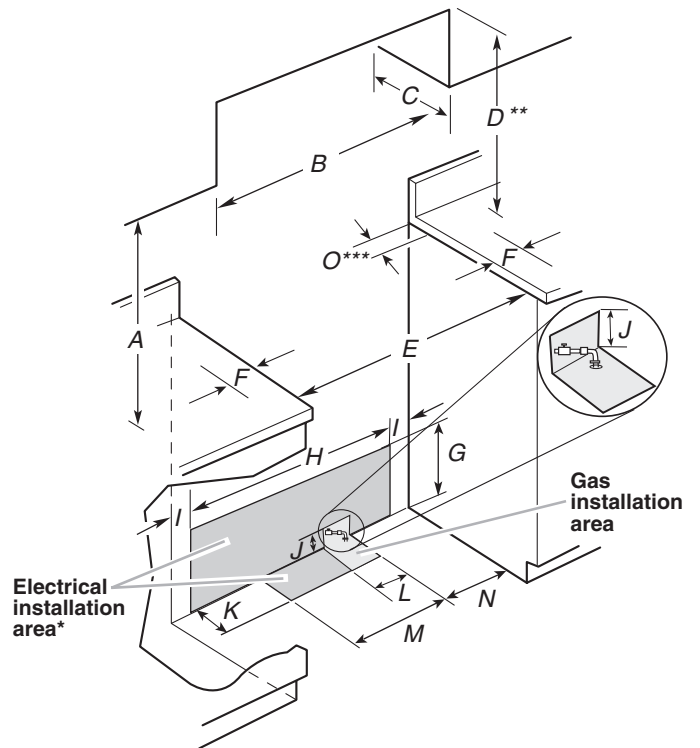
- A. Island trim
- B. 27¹/₈" (68.9 cm) depth with control panel (See NOTE)
- C. 35³/₄" (90.8 cm) cooktop height when sitting on the wheels
- D. 48" (121.9 cm) width
- E. Model/serial/rating plate location

NOTE: When installed in a 24" (61.0 cm) base cabinet with 25" (63.5 cm) countertop; front of oven door protrudes 1⁷/₈" (4.8 cm) beyond 24" (61.0 cm) base cabinet.

Cabinet Requirements

Cabinet opening dimensions shown are for 25" (64.0 cm) countertop depth, 24" (61.0 cm) base cabinet depth, and 36" (91.4 cm) countertop height. Dimensions must be met in order to ensure a flush fit to back wall.

IMPORTANT: If installing a range hood or hood liner above the range, follow the range hood or hood liner installation instructions for dimensional clearances above the cooktop surface.



- A. 18" (45.7 cm) upper cabinet to countertop
- B. 30" (76.2 cm) model: 30" (76.2 cm) min. upper cabinet width
36" (91.4 cm) model: 36" (91.4 cm) min. upper cabinet width
48" (121.9 cm) model: 48" (121.9 cm) min. upper cabinet width
- C. 13" (33 cm) max. upper cabinet depth
- D. For minimum clearance to top of range**.
- E. 30¹/₄" (76.8 cm) on 30" (76.2 cm) models
36¹/₄" (92.1 cm) on 36" (91.4 cm) models
48¹/₄" (122.6 cm) on 48" (121.9 cm) models
- F. 6" (15.2 cm) min. clearance from both sides of range to side wall or other combustible material
- G. 15" (38.1 cm)
- H. 22" (55.9 cm) on 30" (76.2 cm) models
28" (71.1 cm) on 36" (91.4 cm) models
40" (101.6 cm) on 48" (121.9 cm) models
- I. 1¹/₂" (3.8 cm)
- J. 3" (7.6 cm)
- K. 5" (12.7 cm)
- L. 6" (15.2 cm) on 30" (76.2 cm) models
14" (35.5 cm) on 36" (91.4 cm) models
24" (61.0 cm) on 48" (121.9 cm) models
- M. 10¹/₂" (26.7 cm)
- N. 6" (15.2 cm)
- O. 6" (15.2 cm)***

* Receptacle must be rotated 90° for Canadian installation.

**Minimum Clearances

30" (76.2 cm) models: 30" (76.2 cm) minimum clearance between the top of the cooking platform and the bottom of an uncovered wood or metal cabinet

36" (91.4 cm) models: 42" (106.7 cm) minimum clearance between the top of the cooking platform and the bottom of an uncovered wood or metal cabinet

48" (121.9 cm) models: 42" (106.7 cm) minimum clearance between the top of the cooking platform and the bottom of an uncovered wood or metal cabinet

***If the surface of the back wall is constructed of a combustible material and a backguard is not installed, a 6" (15.2 cm) minimum clearance is required for all models.

Electrical Requirements

⚠ WARNING



Electrical Shock Hazard

- Plug into a grounded 3 prong outlet.
- Do not remove ground prong.
- Do not use an adapter.
- Do not use an extension cord.
- Failure to follow these instructions can result in death, fire, or electrical shock.

IMPORTANT: The range must be electrically grounded in accordance with local codes and ordinances or, in the absence of local codes, with the National Electrical Code, ANSI/NFPA 70 or Canadian Electrical Code, CSA C22.1.

If codes permit and a separate ground wire is used, it is recommended that a qualified electrical installer determine that the ground path is adequate.

A copy of the above code standards can be obtained from:

National Fire Protection Association
1 Batterymarch Park
Quincy, MA 02169-7471

CSA International
8501 East Pleasant Valley Road
Cleveland, Ohio 44131-5575

- A 120-volt, 60-Hz, AC-only, 15-amp, fused electrical circuit is required. A time-delay fuse or circuit breaker is also recommended. It is recommended that a separate circuit serving only this range be provided.
- Electronic ignition systems operate within wide voltage limits, but proper grounding and polarity are necessary. Check that the outlet provides 120-volt power and is correctly grounded.
- The wiring diagram is located behind the kick plate in a clear plastic bag.

Gas Supply Requirements

⚠ WARNING



Explosion Hazard

- Use a new CSA International approved gas supply line.
- Install a shut-off valve.
- Securely tighten all gas connections.
- If connected to propane, have a qualified person make sure gas pressure does not exceed 14" (36 cm) water column.
- Examples of a qualified person include:
licensed heating personnel,
authorized gas company personnel, and
authorized service personnel.
- Failure to do so can result in death, explosion, or fire.

Observe all governing codes and ordinances.

IMPORTANT: This installation must conform with all local codes and ordinances. In the absence of local codes, installation must conform with American National Standard, National Fuel Gas Code ANSI Z223.1 - latest edition or CAN/CGA B149 - latest edition.

IMPORTANT: Range must be connected to a regulated gas supply.

IMPORTANT: Leak testing of the range must be conducted according to the manufacturer's instructions.

Type of Gas

Natural Gas:

The model/serial/rating plate located under the console on the right-hand side has information on the types of gas that can be used. If the types of gas listed do not include the type of gas available, check with the local gas supplier.

Propane Gas conversion:

Conversion must be done by a qualified service technician.

No attempt shall be made to convert the range from the gas specified on the model/serial/rating plate for use with a different gas without consulting the serving gas supplier. For models that start with JGRP or JL RP, contact service to order the conversion kit referenced under the "Tools and Parts" section. For all other models, use the conversion kit provided with your range. The parts for this kit are in the package containing literature supplied with the range.

Gas Supply Line

- Provide a gas supply line of 3/4" (19 mm) rigid pipe to the cooktop location. A smaller size pipe on longer runs may result in insufficient gas supply. With Propane gas, piping or tubing size can be 1/2" (13 mm) minimum. Usually, Propane gas suppliers determine the size and materials used in the system.

NOTE: Pipe-joint compounds that resist the action of Propane gas must be used. Do not use TEFLON[†] tape.

Flexible metal appliance connector:

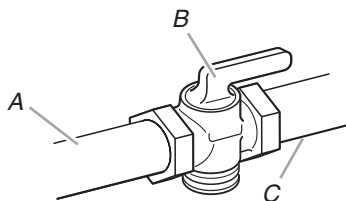
- If local codes permit, a new CSA design-certified, 4-5 ft (122-152 cm) long, 5/8" (16 mm) or 3/4" (19 mm) I.D., flexible metal appliance connector may be used for connecting the cooktop to the gas supply line.



- A 1/2" (13 mm) male pipe thread is needed for connection to the female pipe threads of the inlet to the appliance pressure regulator.
- Do not kink or damage the flexible metal tubing when moving the cooktop.

IMPORTANT: All connections must be wrench-tightened. Do not make connections to the gas regulator too tight. Making the connections too tight may crack the regulator and cause a gas leak. Do not allow the regulator to turn or move when tightening fittings.

- Must include a shut-off valve: Install a manual gas line shut-off valve in an easily accessible location. Do not block access to shut-off valve. The valve is for turning on or shutting off gas to the cooktop.



A. Gas supply line
B. Shut-off valve open position
C. To cooktop

Gas Pressure Regulator

The gas pressure regulator supplied with this cooktop must be used. The inlet pressure to the regulator should be as follows for proper operation:

Natural Gas:

Minimum pressure: 15.2 cm WCP

Maximum pressure: 35.6 cm WCP

Propane Gas:

Minimum pressure: 27.9 cm WCP

Maximum pressure: 35.6 cm WCP

Contact local gas supplier if you are not sure about the inlet pressure.

Burner Input Rating – Altitude

Input ratings shown on the model/serial/rating plate are for elevations up to 2,000 ft (609.6 m).

For elevations above 2,000 ft (609.6 m), ratings need to be reduced at a rate of 4% for each 1,000 ft (304.8 m) above sea level (not applicable for Canada).

Gas Supply Pressure Testing

Gas supply pressure for testing regulator must be at least 2.5 cm water column pressure above the manifold pressure shown on the model/serial/rating plate.

Line pressure testing above 1/2 psi (3.5 kPa) gauge (35.6 cm WCP)

The cooktop and its individual shut-off valve must be disconnected from the gas supply piping system during any pressure testing of that system at test pressures in excess of 1/2 psi (3.5 kPa).

Line pressure testing at 1/2 psi (3.5 kPa) gauge (35.6 cm WCP) or lower

The cooktop must be isolated from the gas supply piping system by closing its individual manual shut-off valve during any pressure testing of the gas supply piping system at test pressures equal to or less than 1/2 psi (3.5 kPa).

[†]TEFLON is a registered trademark of Chemours.

INSTALLATION INSTRUCTIONS

Unpack the Range

⚠ WARNING

Excessive Weight Hazard

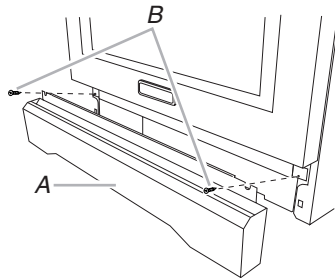
Use two or more people to move and install range.
Failure to do so can result in back or other injury.

1. Remove shipping materials, tape, and film from range. Keep shipping pallet under range. Remove oven racks, grates, and parts package from inside oven.
2. Remove kick plate.

Your range will either have the kick plate already installed (follow Option 1) or packaged on top of the unit (follow Option 2).

Option 1

- a. Remove foam between door and kick plate.
- b. Remove screws from kick plate.



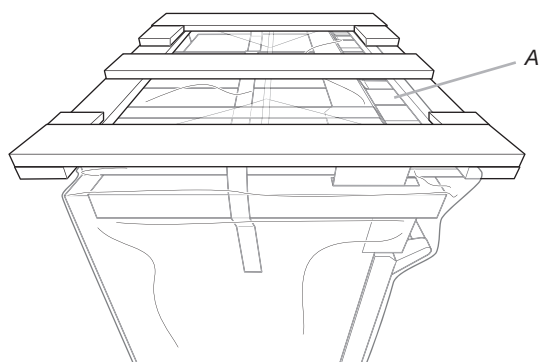
A. Kick plate
B. Remove these screws.

- c. Lift up on kick plate to release plate from shoulder screws.
- d. Lay kick plate to the side to avoid scratching the stainless steel.

Option 2

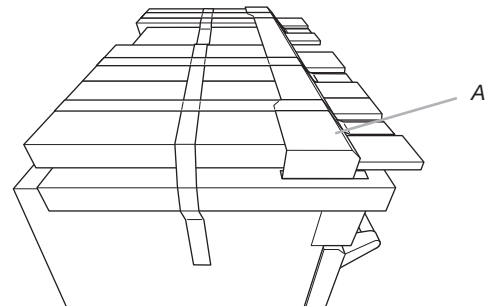
- a. Remove kick plate from top of range and grate pack.

In packaging



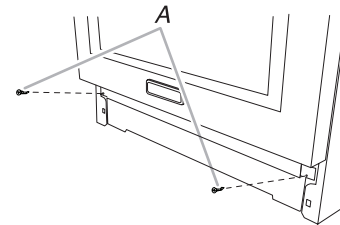
A. Kick plate

Packaging removed



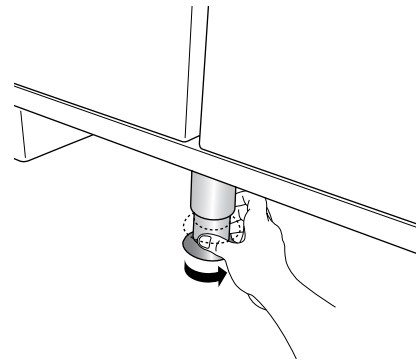
A. Kick plate

- b. Lay kick plate to the side to avoid scratching the stainless steel.
- c. Remove screws from range.



A. Remove these screws.

3. For 48" (121.9 cm) models only, rotate center support counterclockwise off the pallet until it stops.

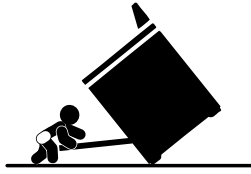


NOTE: This support is used only for shipping and is not needed for installation.

4. Lay a piece of cardboard from side packaging on the floor behind range. Using two or more people, firmly grasp each side of range. Lift range up about 3" (8.0 cm) and move it back until range is off shipping pallet. Set range on cardboard to avoid damaging floor.

Install Anti-Tip Bracket

WARNING



Tip Over Hazard

A child or adult can tip the range and be killed.

Install anti-tip bracket to floor or wall per installation instructions.

Slide range back so rear range foot is engaged in the slot of the anti-tip bracket.

Re-engage anti-tip bracket if range is moved.

Do not operate range without anti-tip bracket installed and engaged.

Failure to follow these instructions can result in death or serious burns to children and adults.

1. Determine which mounting method to use: floor or wall.
If you have a stone or masonry floor, you can use the wall mounting method.
2. Determine and mark centerline of the cutout space. The mounting bracket must be installed on the right side of the cutout. Position mounting bracket in cutout as shown in the following illustration.

Measurement B:

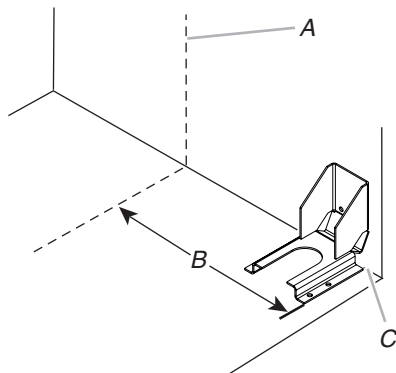
30" (76.2 cm) ranges: 14¹/₄" (36.1 cm)

36" (91.4 cm) ranges: 17¹/₄" (43.8 cm)

48" (121.9 cm) ranges: 23³/₈" (59.3 cm)

Measurement C:

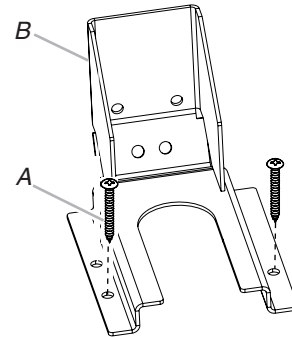
Optional distance from back wall. If back wall is constructed of a combustible material and a backguard is not installed, a 6" (15.2 cm) minimum clearance is required for all models. Install anti-tip bracket accordingly.



- A. Centerline
B. Centerline of cutout to outside edge of anti-tip bracket
C. Back wall to back of range

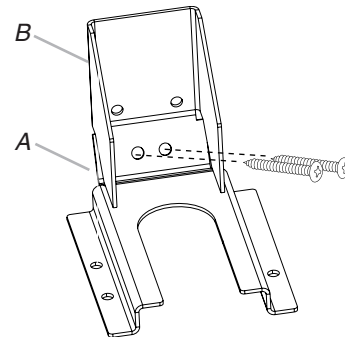
3. Drill two 1/8" (3.0 mm) holes that correspond to the bracket holes of the determined mounting method. See the following illustrations.

Floor Mounting



- A. #12 x 1⁵/₈" (4.1 cm) screws
B. Anti-tip bracket

Wall Mounting



- A. #12 x 1⁵/₈" (4.1 cm) screws
B. Anti-tip bracket

4. Using a Phillips screwdriver, mount anti-tip bracket to the wall or floor with the two #12 x 1⁵/₈" (4.1 cm) screws provided.

Depending on the thickness of your flooring, longer screws may be necessary to anchor the bracket to the subfloor. Longer screws are available from your local hardware store.

5. Move range close enough to opening to allow for electrical connections to be made. Remove shipping base, cardboard, or hardboard from under range.
6. Continue installing your range using the following installation instructions.

Make Gas Connection

⚠️ WARNING



Explosion Hazard

Use a new CSA International approved gas supply line.

Install a shut-off valve.

Securely tighten all gas connections.

If connected to propane, have a qualified person make sure gas pressure does not exceed 14" (36 cm) water column.

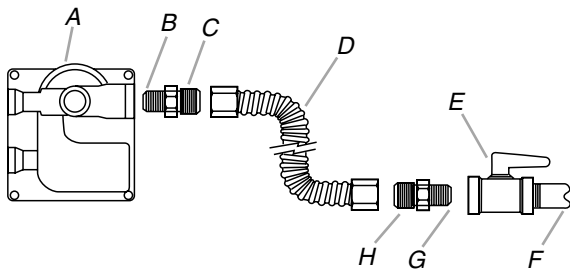
Examples of a qualified person include:

licensed heating personnel,
authorized gas company personnel, and
authorized service personnel.

Failure to do so can result in death, explosion, or fire.

1. Assemble flexible connector from gas supply pipe to pressure regulator located in the middle rear of the range.
2. Apply pipe-joint compound made for use with Propane gas to the smaller thread ends of the flexible connector adapters. (See B and G in the following illustration.)
3. Attach one adapter to the gas pressure regulator and the other adapter to the gas shut-off valve. Tighten both adapters, being certain not to move or turn the gas pressure regulator.
4. Use a 15/16" (24 mm) combination wrench and an adjustable wrench to attach the flexible gas supply to the adapters. Check that connector is not kinked.

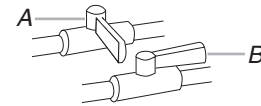
IMPORTANT: All connections must be wrench-tightened. Do not make connections to the gas regulator too tight. Making the connections too tight may crack the regulator and cause a gas leak. Do not allow the regulator to turn or move when tightening fittings.



- | | |
|---|---|
| A. Gas pressure regulator | E. Manual gas shut-off valve |
| B. Use pipe-joint compound. | F. 1/2" (13 mm) or
3/4" (19 mm) gas pipe |
| C. Adapter (must have 1/2"
[13 mm] male pipe thread) | G. Use pipe-joint compound. |
| D. Flexible connector | H. Adapter |

Complete Connection

1. Open the manual shut-off valve in the gas supply line. The valve is open when the handle is parallel to the gas pipe.



- A. Closed valve
B. Open valve

2. Test all connections by brushing on an approved noncorrosive leak-detection solution. If bubbles appear, a leak is indicated. Correct any leak found.
3. Remove cooktop burner caps, burner bases, and grates from parts package. Place burner bases on cooktop. Place burner caps on burner bases. Place grates over burners and caps.

⚠️ WARNING



Electrical Shock Hazard

Plug into a grounded 3 prong outlet.

Do not remove ground prong.

Do not use an adapter.

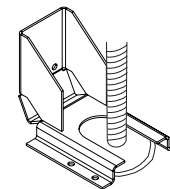
Do not use an extension cord.

Failure to follow these instructions can result in death, fire, or electrical shock.

4. Plug into a grounded 3 prong outlet.
5. Turn on power supply. For further information, please refer to the user instructions located in the Use and Care Guide.

Verify Anti-Tip Bracket Location

1. Using a 5/16" (0.79 cm) socket or wrench, turn all four leveling rods one full turn to raise the range and provide enough clearance for the rear leveling leg to slide into the anti-tip bracket.

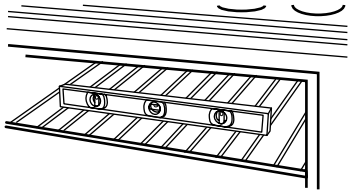


2. Move range into its final location, making sure rear leveling leg slides into anti-tip bracket.
3. Use a flashlight to look underneath the bottom of the range and visually check that the rear range foot is inserted into the slot of the anti-tip bracket.

Level Range

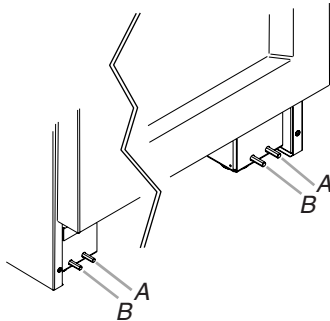
NOTE: Range must be level for satisfactory baking performance.

1. Place rack in oven.
2. Place level on rack and check levelness of the range, first side to side, then front to back.



3. If range is not level, adjust the leveling rods. Turn leveling rods located behind the kick plate to level range and to raise or lower range to the desired countertop height.

NOTE: All roller feet must be off the floor upon final installation.

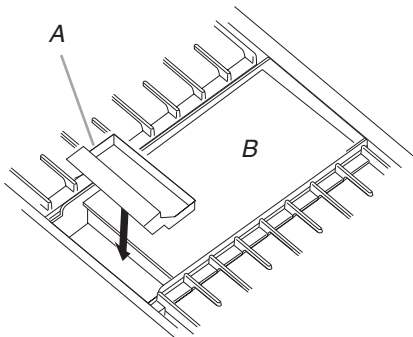


A. Rear leveling rod
B. Front and brass leveling rod

Install Griddle (on griddle models)

The griddle is factory installed.

1. Place drip tray in the well at the front of the griddle. Slide tray toward the back until it stops.



A. Griddle drip tray
B. Griddle

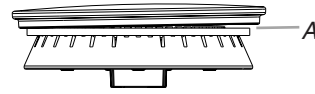
2. Clean griddle before using. Refer to the Use and Care Guide.

Electronic Ignition System

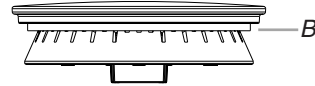
Install Burner Bases and Burner Caps

Install the burner base, making sure the igniter electrode is properly aligned with the base. Place burner caps on top of burner bases. If burner caps are not properly positioned, surface burners will not light.

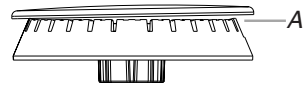
Ultra Power™ Dual-Flame Burner



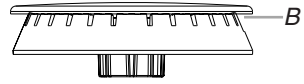
A. Incorrect
B. Correct



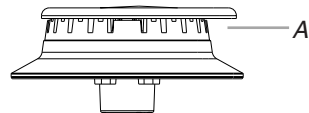
Professional Burner



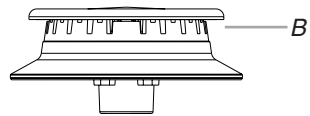
A. Incorrect
B. Correct



Simmer/Melt Burner



A. Incorrect
B. Correct



Initial Lighting and Gas Flame Adjustments

Cooktop burners use electronic igniters in place of standing pilots. When the cooktop control knob is turned to any position, the system creates a spark to light the burner. This sparking continues until the flame is lit or the knob is turned to OFF.

NOTE: The first time igniting the burners will take longer. This allows the gas to reach the burners during the first use.

Check Operation of Cooktop Burners

Push in and turn each control knob to LITE.

NOTE: You will hear a clicking sound while the line clears.

The surface burners and grill flames should light within 4 seconds. The first time a burner is lit, it may take longer than 4 seconds to light because of air in the gas line.

After verifying the proper burner operation, turn the control knobs to OFF.

If burners do not light properly:

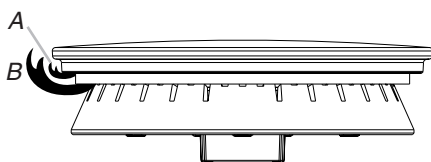
- Turn cooktop control knob to OFF.
- Check that the cooktop is plugged in and the circuit breaker has not tripped or the fuse has not blown.
- Check that the gas shut-off valves are set to the open position.
- Check that burner caps are properly positioned on burner bases.

Repeat start-up. If a burner does not light at this point, contact your dealer or authorized service company for assistance.

Flame Height

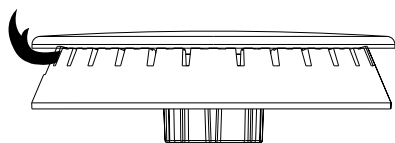
The cooktop flame should be a steady blue flame approximately 1/4" (6.4 mm) high.

Dual Flame Burner



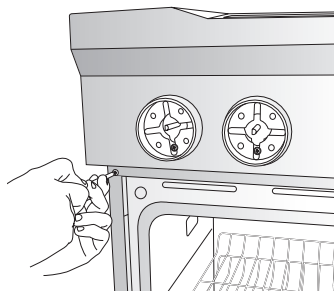
A. Upper (simmer) flame
B. Lower flame

Single Flame Burner



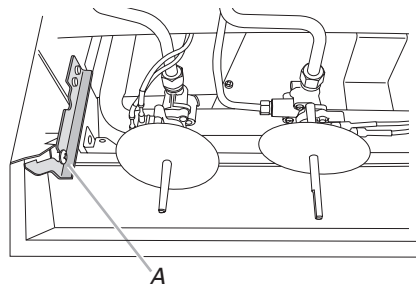
To Adjust Flame Height:

1. Unplug range or disconnect power.
2. Remove burner grates.
3. Remove the control knobs.
4. Open the oven door and remove the two screws on each side of the range that hold the control console in place.



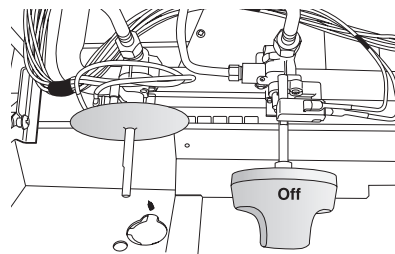
NOTE: Make sure to leave oven door open or the control console will not rest in the side brackets properly once it is detached.

5. Pull up on the control console and let it drop forward into the notched console brackets on each side.

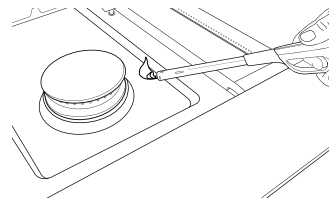


A. Control console bracket

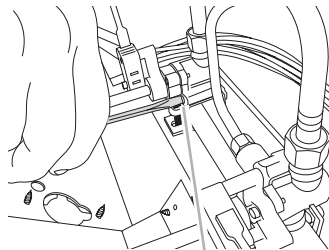
6. Remove the round gasket from the valve stem.
7. Put a control knob onto the valve stem of the burner you want to adjust.



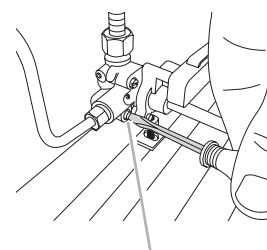
8. Turn the control knob to LO and, using a butane extension lighter, light the burner.



9. Remove the control knob.
10. Use a 1/8" x 4 1/4" (3 mm x 100 mm) flat-blade screwdriver to adjust the flame height. Tighten screw to reduce flame height. Loosen screw to increase flame height.



A

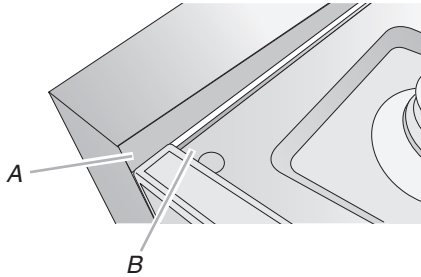


B

A. Single flame burner adjustment screw (on right side of valve)
B. Dual flame burner adjustment screw (on left side of valve)

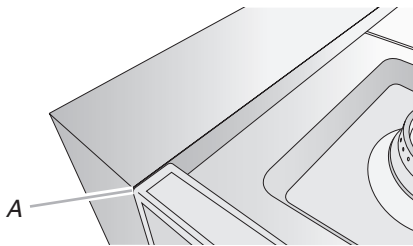
11. When finished adjusting the flame height, put a control knob back onto the valve stem and turn off the burner.
12. Remove the control knob.
13. Replace the round gasket.
14. Repeat steps 6 through 13 for any other burners that need adjustment.

- Lift up on the control console and set it back into place. For a proper fit, the flange of the control console must hook over the lip on the front of the range cooktop.



A. Control console flange
B. Front lip of range cooktop

- Check that the control console is flush with the top edge of the range.

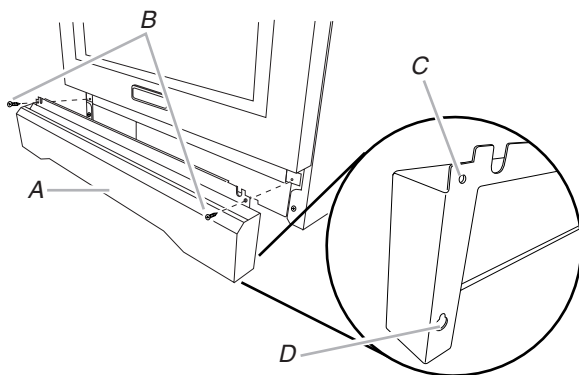


A. Flush with range top

- Replace the two screws on each side of the control console.
- Replace the control knobs.
- Replace burner grates.
- Test the flame by turning the control from LO to HI, checking the flame at each setting.

Reinstall Kick Plate

- Align shoulder screw mounting holes with shoulder screws on range.
- Push kick plate down against front of range until the top screw holes are aligned with the mounting holes on the front of the range.
- Reattach screws to the top of the kick plate.



A. Kick plate
B. Reattach these screws.
C. Top screw hole
D. Shoulder screw mounting hole

Complete Installation

- Check that all parts are now installed. If there is an extra part, go back through the steps to see which step was skipped.
- Check that you have all of your tools.
- Dispose of/recycle all packaging materials.
- For oven use and cleaning, read the Use and Care Guide.

Check Operation of Oven Bake Burner(s)

- Remove the oven racks and bake burner cover and set them aside on a covered surface.
- Start a Bake cycle. See the Use and Care Guide for operating instructions.

The oven bake burner should light within 8 seconds. Under certain conditions it may take the burner up to 60 seconds to light.

Electronic igniters are used to light the bake burners.

NOTE: No adjustments can be made to the bake flames.

Check Operation of Oven Broil Burner

- Remove the oven racks and set them aside on a covered surface.
- Start a Broil cycle. See the Use and Care Guide for operating instructions.

The oven broil burner should light within 8 seconds. Under certain conditions, it may take the burner up to 60 seconds to light.

Electronic igniters are used to light the broil burner.

NOTE: No adjustments can be made to the broil flames.

If you need Assistance or Service:

Please reference the "Assistance or Service" section of the Use and Care Guide or contact the dealer from whom you purchased your range.

Notes

SÉCURITÉ DE LA CUISINIÈRE

Votre sécurité et celle des autres est très importante.

Nous donnons de nombreux messages de sécurité importants dans ce manuel et sur votre appareil ménager. Assurez-vous de toujours lire tous les messages de sécurité et de vous y conformer.



Voici le symbole d'alerte de sécurité.

Ce symbole d'alerte de sécurité vous signale les dangers potentiels de décès et de blessures graves à vous et à d'autres.

Tous les messages de sécurité suivront le symbole d'alerte de sécurité et le mot "DANGER" ou "AVERTISSEMENT". Ces mots signifient :

⚠ DANGER

Risque possible de décès ou de blessure grave si vous ne suivez pas immédiatement les instructions.

⚠ AVERTISSEMENT

Risque possible de décès ou de blessure grave si vous ne suivez pas les instructions.

Tous les messages de sécurité vous diront quel est le danger potentiel et vous disent comment réduire le risque de blessure et ce qui peut se produire en cas de non-respect des instructions.

AVERTISSEMENT : Si les renseignements dans ces instructions ne sont pas exactement observés, un incendie ou une explosion peut survenir, causant des dommages au produit, des blessures ou un décès.

- Ne pas entreposer ni utiliser de l'essence ou d'autres vapeurs ou liquides inflammables à proximité de cet appareil ou de tout autre appareil électroménager.
- QUE FAIRE DANS LE CAS D'UNE ODEUR DE GAZ :
 - Ne pas tenter d'allumer un appareil.
 - Ne pas toucher à un commutateur électrique.
 - Ne pas utiliser le téléphone se trouvant sur les lieux.
 - Appeler immédiatement le fournisseur de gaz à partir du téléphone d'un voisin. Suivre ses instructions.
 - À défaut de joindre votre fournisseur de gaz, appeler les pompiers.
- L'installation et l'entretien doivent être effectués par un installateur qualifié, une agence de service ou le fournisseur de gaz.

AVERTISSEMENT : L'odorat ne permet pas toujours la détection d'une fuite de gaz.

Les distributeurs de gaz recommandent l'emploi d'un détecteur de gaz (homologation UL ou CSA).

Pour d'autre information, contacter le fournisseur de gaz local.

En cas de détection d'une fuite de gaz, exécuter les instructions "Que faire dans le cas d'une odeur de gaz".

IMPORTANT : Ne pas installer un système de ventilation avec évacuation de l'air vers le bas, qui évacuerait l'air vers cet appareil de cuisson à gaz. Ce type de système de ventilation peut causer des problèmes d'allumage et de combustion avec cet appareil de cuisson à gaz et entraîner des blessures corporelles ou le fonctionnement non désiré de cet appareil.

Dans l'État du Massachusetts, les instructions d'installation suivantes sont applicables :

- Les travaux d'installation et réparation doivent être exécutés par un plombier ou tuyauteur qualifié ou licencié, ou par le personnel qualifié d'une entreprise licenciée par l'État du Massachusetts.
- Remplacer par des dispositifs de fermeture acceptables : Les robinets de gaz et robinets à bille installés pour l'utilisation devraient être indiqués.
- Si un conduit de raccordement flexible est utilisé, sa longueur ne doit pas dépasser 4 pi (121,9 cm).

⚠ AVERTISSEMENT

Risque de basculement

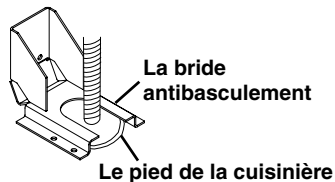
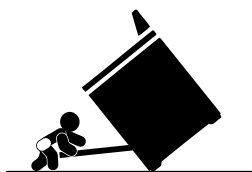
Un enfant ou une personne adulte peut faire basculer la cuisinière ce qui peut causer un décès.

Joindre la bride antibasculement au pied arrière de la cuisinière.

Joindre de nouveau la bride antibasculement si la cuisinière est déplacée.

Voir détails dans les instructions d'installation.

Le non-respect de ces instructions peut causer un décès ou des brûlures graves aux enfants et aux adultes.



Assurez-vous qu'une bride antibasculement est installée :

- **Glisser la cuisinière vers l'avant.**
- **Vérifier que la bride antibasculement est bien fixée au plancher ou au mur.**
- **Glisser de nouveau la cuisinière vers l'arrière de sorte que le pied est sous la bride antibasculement.**

EXIGENCES D'INSTALLATION

Outillage et pièces

Rassembler les outils et pièces nécessaires avant d'entreprendre l'installation. Lire et suivre les instructions fournies avec chacun des outils de la liste ci-dessous.

Outils nécessaires



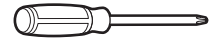
Clé à tuyauterie



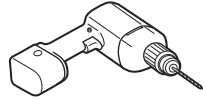
Clé à molette ou clé de 5/8" (16 mm)



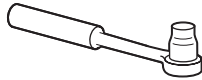
Tournevis à lame plate de 1/8" x 4 1/4" (32 mm x 100 mm)



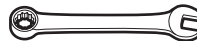
Tournevis Phillips n° 2



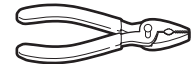
Perceuse



Clé à cliquet de 3/8" (95 mm)



Clé mixte de 15/16" (24 mm)



Pince



Niveau



Coupe-tube



Tourne-écrou de 1/4" (6,4 mm), 3/8" (9,5 mm), 5/16" (7,9 mm)



Marqueur ou crayon



Foret à maçonnerie à pointe carburée de 3/16" (4,8 mm)



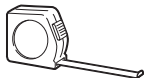
Foret de 1/8" (3,2 mm)



Composé d'étanchéité des raccords filetés - résistant au gaz propane



Solution non corrosive de détection des fuites

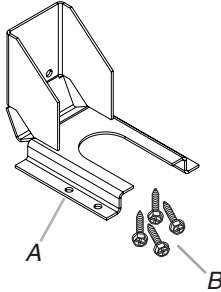


Mètre-ruban

Pièces fournies

Vérifier que toutes les pièces sont présentes.

- Trousse de bride antibasculement



A. Bride antibasculement

B. Quatre vis à tête Phillips n° 8-18 x 1" (2,5 cm)

REMARQUE : La bride antibasculement doit être solidement fixée au sous-plancher. La profondeur du plancher peut nécessiter des vis plus longues pour l'ancrage de la bride dans le sous-plancher. Des vis plus longues sont disponibles auprès de votre quincaillerie locale. Voir la section "Installation de la bride antibasculement".

- Détendeur
- Grilles de brûleur
- Têtes et chapeaux de brûleurs
- Plateau d'égouttement de la plaque à frire (sur modèles avec plaque à frire)

Ensembles de conversion :

Pour les modèles qui commencent par JGRP ou JLRP, aucun nécessaire de conversion n'est fourni. Appeler le service Dépannage pour demander au choix :

- L'ensemble de conversion pour gaz propane
pièce numéro W10825584;
- L'ensemble de conversion pour gaz naturel
pièce numéro W10821163.

REMARQUE : JLRP est réglé en usine pour gaz propane. Tous les autres modèles sont réglés en usine pour le gaz naturel.

Pièces nécessaires

Tous les modèles doivent être installés avec un dossieret si l'installation se fait sans dégagement entre l'appareil et une paroi arrière combustible comme un mur en gypse. Une installation sans dégagement est permise si la totalité de la surface de la paroi au-dessus et au-dessous de la hotte est couverte d'un matériau non combustible, comme des carreaux de céramique ou de l'acier inoxydable. Voir "Dimensions du placard" à la section "Exigences d'emplacement" pour les spécifications concernant l'installation.

- Dossieret rétractable de 30" (76,2 cm)
Commander la pièce numéro 8285148
- Dossieret rétractable de 36" (91,4 cm)
Commander la pièce numéro 8284756
- Dossieret rétractable de 48" (121,9 cm)
Commander la pièce numéro 8284755
- Dossieret de 22" (55,9 cm) pour cuisinières à tablette à double positionnement de 30" (76,2 cm)
Commander la pièce numéro W10285447
- Dossieret de 22" (55,9 cm) pour cuisinières à tablette à double positionnement de 36" (91,4 cm)
Commander la pièce numéro W10285448
- Dossieret de 22" (55,9 cm) pour cuisinières à tablette à double positionnement de 48" (121,9 cm)
Commander la pièce numéro W10285449
Pour commander, voir la section "Assistance ou service" du Guide d'utilisation et d'entretien.

Vérifier les codes locaux et consulter le fournisseur de gaz. Vérifier l'alimentation en gaz et l'alimentation électrique existantes. Voir les sections "Spécifications électriques" et "Spécifications de l'alimentation en gaz".

Il est recommandé de faire réaliser tous les raccordements électriques par un électricien qualifié agréé.

Conversion pour utilisation en haute altitude

Pour convertir la table de cuisson pour des altitudes supérieures à 6 560 pi (1 999,5 m), commander un ensemble pour conversion en haute altitude.

- Pièce numéro W10394294 : gaz propane pour haute altitude
- Pièce numéro W10394293 : gaz naturel pour haute altitude

Pour commander, voir la section "Assistance ou service" du Guide d'utilisation et d'entretien.

Exigences d'emplacement

IMPORTANT : Observer les dispositions de tous les codes et règlements en vigueur. Ne pas obstruer le flux de combustion et de ventilation.

- C'est à l'installateur qu'incombe la responsabilité de respecter les distances de séparation spécifiées sur la plaque signalétique de l'appareil. La plaque signalétique se trouve sous la console, du côté droit.
- Il est recommandé qu'une hotte de cuisinière de 600 pi³/min (17,0 m³/h) ou plus soit installée au-dessus de la cuisinière.
- Il n'est pas recommandé de monter un ensemble hotte/four à micro-ondes au-dessus de la cuisinière.
- Dans le cas d'une cuisinière encastrée, l'enceinte doit recouvrir complètement les côtés et l'arrière de la cuisinière.
- Toutes les ouvertures dans le mur ou le plancher de l'emplacement d'installation de la cuisinière doivent être scellées.
- Ne pas réaliser de scellement entre la cuisinière et les placards latéraux.
- Respecter les dimensions indiquées pour les ouvertures à découper dans les placards. Ces dimensions constituent les valeurs minimales des dégagements.
- La bride antibasculement doit être installée. Pour l'installation de la bride antibasculement fournie avec la cuisinière, voir la section "Installation de la bride antibasculement".
- Une source d'électricité avec liaison à la terre est nécessaire. Voir la section "Spécifications électriques".
- Un raccordement adéquat à l'alimentation en gaz doit être disponible. Voir la section "Spécifications de l'alimentation en gaz".
- Contacter un installateur de revêtement de sol qualifié, qui pourra déterminer si le revêtement de sol peut résister à une température d'au moins 200°F (93°C). Dans le cas de l'installation de la cuisinière par dessus un tapis ou sur de la moquette, placer sous la cuisinière une plaque d'appui isolée ou une plaque de contreplaqué de 1/4" (64 mm).

IMPORTANT : Afin d'éviter d'endommager les placards, consulter le constructeur de la maison ou le fabricant des placards pour déterminer si les matériaux utilisés peuvent subir un changement de couleur, une déstratification ou d'autres dommages. Ce four a été conçu conformément aux exigences des normes UL et CSA International et respecte les températures maximales permises de 194°F (90°C) pour les placards en bois.

Résidence mobile – Spécifications additionnelles à respecter lors de l'installation

L'installation de cette cuisinière doit être conforme aux dispositions de la norme Manufactured Home Construction and Safety Standard, Title 24 CFR, Part 3280 (anciennement Federal Standard for Mobile Home Construction and Safety, Title 24, HUD Part 280). Lorsque cette norme n'est pas applicable, l'installation doit satisfaire aux critères de la norme Standard for Manufactured Home Installations, ANSI A225.1/NFPA 501A ou aux dispositions des codes locaux.

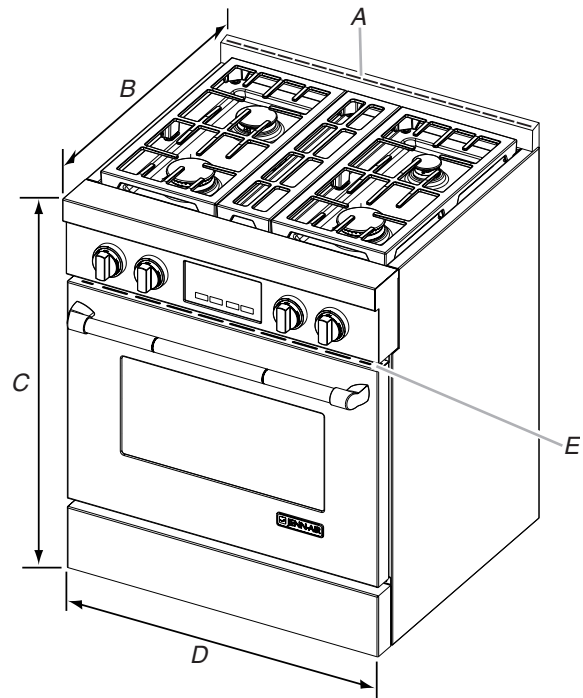
Au Canada, l'installation de cette cuisinière doit satisfaire aux stipulations de la version la plus récente de la norme CAN/CSAZ240 ou des codes locaux en vigueur.

Autres critères à respecter pour une installation en résidence mobile :

- Dans le cas de l'installation de cette cuisinière dans une résidence mobile, la cuisinière doit être fixée au plancher durant tout déplacement du véhicule. Toute méthode de fixation de la cuisinière est adéquate dans la mesure où elle satisfait aux critères des normes mentionnées ci-dessus.

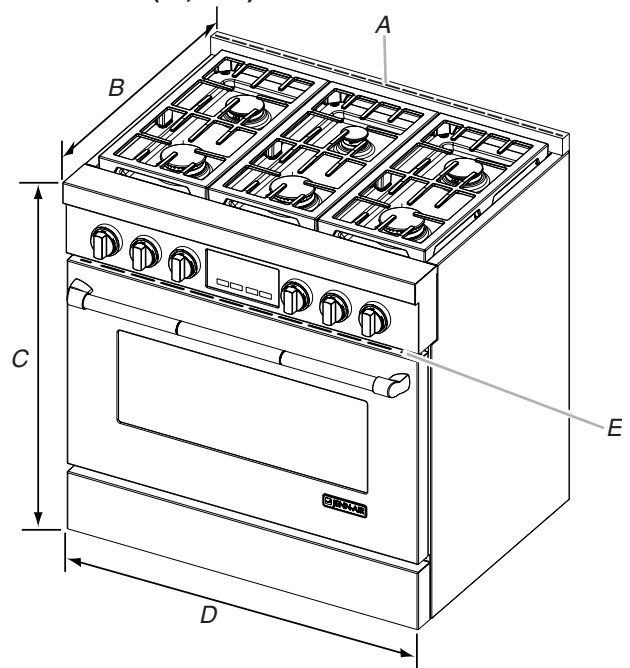
Dimensions du produit

Modèles de 30" (76,2 cm)



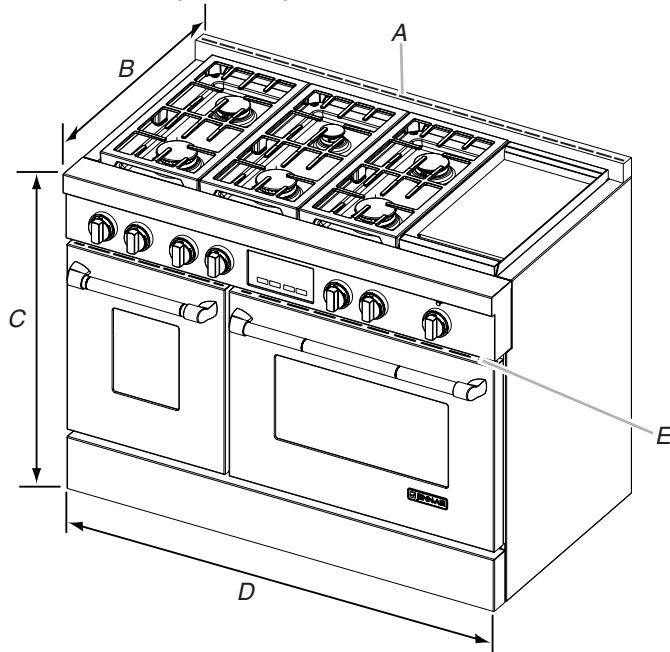
- A. Garniture d'îlot
- B. 27³/₄" (70,5 cm) de profondeur avec le tableau de commande (Voir REMARQUE)
- C. 35³/₄" (90,8 cm) de hauteur de table de cuisson lors de l'installation des roulettes
- D. 30" (76,2 cm) de largeur
- E. Emplacement de la plaque signalétique

Modèles de 36" (91,4 cm)



- A. Garniture d'îlot
- B. 27¹/₈" (68,9 cm) de profondeur avec le tableau de commande (Voir REMARQUE)
- C. 35³/₄" (90,8 cm) de hauteur de table de cuisson lors de l'installation des roulettes
- D. 36" (91,4 cm) de largeur
- E. Emplacement de la plaque signalétique

Modèles de 48" (121,9 cm)



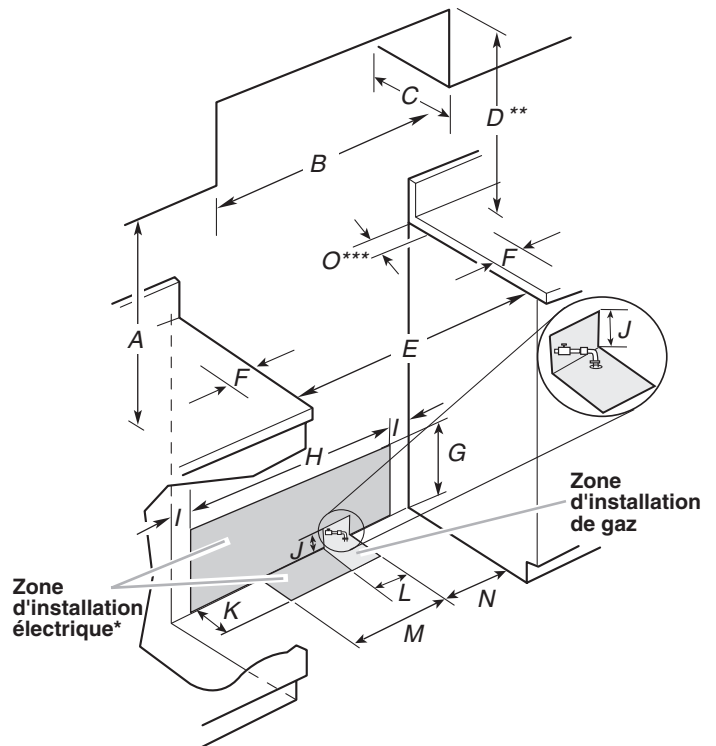
- A. Garniture d'ilot
- B. 27¹/₈" (68,9 cm) de profondeur avec le tableau de commande (Voir REMARQUE)
- C. 35³/₄" (90,8 cm) de hauteur de table de cuisson lors de l'installation des roulettes
- D. 48" (121,9 cm) de largeur
- E. Emplacement de la plaque signalétique

REMARQUE : En cas d'installation entre des placards au sol de 24" (61,0 cm) avec plan de travail de 25" (63,5 cm), l'avant de la porte du four dépasse de 1⁷/₈" (4,8 cm) au-delà des placards au sol de 24" (61,0 cm).

Dimensions du placard

Les dimensions de l'espace d'installation entre les placards sont valides pour l'installation entre des placards de 24" (61,0 cm) de profondeur avec plan de travail de 25" (64,0 cm) de profondeur et 36" (91,4 cm) de hauteur. Les dimensions doivent être respectées pour que les éléments soient en affleurement avec la paroi arrière.

REMARQUE : En cas d'installation d'une hotte ou d'un revêtement de hotte au-dessus de la cuisinière, suivre les instructions fournies avec la hotte ou le revêtement de hotte concernant les dimensions de dégagement à respecter au-dessus de la surface de la table de cuisson.



- A. 18" (45,7 cm) entre le placard supérieur et le plan de travail
- B. Modèle de 30" (76,2 cm) : Largeur min. du placard supérieur 30" (76,2 cm)
Modèle de 36" (91,4 cm) : Largeur min. du placard supérieur 36" (91,4 cm)
Modèle de 48" (121,9 cm) : Largeur min. du placard supérieur 48" (121,9 cm)
- C. Profondeur maximale des placards supérieurs de 13" (33 cm)
- D. Pour la distance libre minimale à partir de la partie supérieure de la table de cuisson**.
- E. 30¹/₄" (76,8 cm) sur les modèles de 30" (76,2 cm)
36¹/₄" (92,1 cm) sur les modèles de 36" (91,4 cm)
48¹/₄" (122,6 cm) sur les modèles de 48" (121,9 cm)
- F. Dégagement minimal de 6" (15,2 cm) entre les deux côtés de la cuisinière et la paroi latérale ou d'autres matériaux combustibles
- G. 15" (38,1 cm)
- H. 22" (55,9 cm) sur les modèles de 30" (76,2 cm)
28" (71,1 cm) sur les modèles de 36" (91,4 cm)
40" (101,6 cm) sur les modèles de 48" (121,9 cm)
- I. 1¹/₂" (3,8 cm)
- J. 3" (7,6 cm)
- K. 5" (12,7 cm)
- L. 6" (15,2 cm) sur les modèles de 30" (76,2 cm)
14" (35,5 cm) sur les modèles de 36" (91,4 cm)
24" (61,0 cm) sur les modèles de 48" (121,9 cm)
- M. 10¹/₂" (26,7 cm)
- N. 6" (15,2 cm)
- O. 6" (15,2 cm)***

* Pour installation au Canada, il est nécessaire de faire pivoter la prise de 90°.

** Dégagements minimums

Modèles de 30" (76,2 cm) : Distance de séparation minimale de 30" (76,2 cm) entre le dessus de la table de cuisson et le fond d'un placard de bois ou de métal non protégé.

Modèles de 36" (91,4 cm) : Distance de séparation minimale de 42" (106,7 cm) entre le dessus de la table de cuisson et le fond d'un placard de bois ou de métal non protégé.

Modèles de 48" (121,9 cm) : Distance de séparation minimale de 42" (106,7 cm) entre le dessus de la table de cuisson et le fond d'un placard de bois ou de métal non protégé.

***Si la surface de la paroi arrière est fabriquée d'un matériau combustible et qu'aucun dossier n'est installé, un dégagement minimal de 6" (15,2 cm) est nécessaire pour tous les modèles.

Spécifications de l'installation électrique

AVERTISSEMENT



Risque de choc électrique

- Brancher sur une prise à 3 alvéoles reliée à la terre.
- Ne pas enlever la broche de liaison à la terre.
- Ne pas utiliser un adaptateur.
- Ne pas utiliser un câble de rallonge.
- Le non-respect de ces instructions peut causer un décès, un incendie ou un choc électrique.

IMPORTANT : La cuisinière doit être reliée à la terre en conformité avec les codes et règlements locaux en vigueur, ou en l'absence de codes locaux, avec le National Electrical Code, ANSI/NFPA 70 ou le Code canadien des installations électriques, CSA C22.1.

Si les codes le permettent et si on utilise un conducteur distinct de liaison à la terre, il est recommandé qu'un électricien qualifié vérifie la qualité de la liaison à la terre.

On peut obtenir un exemplaire de la norme ci-dessus auprès de :

National Fire Protection Association
1 Batterymarch Park
Quincy, MA 02169-7471

CSA International
8501 East Pleasant Valley Road
Cleveland, Ohio 44131-5575

- L'appareil doit être alimenté par un circuit de 120 V, CA seulement, 60 Hz, 15 ampères, protégé par fusible. On recommande également d'utiliser un fusible ou un disjoncteur temporisé. Il est recommandé de raccorder la cuisinière sur un circuit distinct exclusif à cet appareil.
- Les systèmes d'allumage électronique fonctionnent avec des limites de tension étendues, mais une liaison à la terre correcte et une polarité appropriée sont nécessaires. Vérifier que la prise fournit une alimentation de 120 V et qu'elle est correctement reliée à la terre.
- Le schéma de câblage se trouve dans un sac de plastique transparent placé derrière le garde-pieds.

Spécifications de l'alimentation en gaz

AVERTISSEMENT



Risque d'explosion

Utiliser une canalisation neuve d'arrivée de gaz approuvée par la CSA International.

Installer un robinet d'arrêt.

Bien serrer chaque organe de connexion de la canalisation de gaz.

En cas de connexion au gaz propane, demander à une personne qualifiée de s'assurer que la pression de gaz ne dépasse pas 36 cm (14 po) de la colonne d'eau.

Par personne qualifiée, on comprend :

le personnel autorisé de chauffage,
le personnel autorisé d'une compagnie de gaz, et
le personnel d'entretien autorisé.

Le non-respect de ces instructions peut causer un décès, une explosion ou un incendie.

Respecter les dispositions de tous les codes et règlements en vigueur.

IMPORTANT : L'installation doit satisfaire aux critères de tous les codes et règlements locaux. En l'absence de code local, l'installation doit satisfaire aux prescriptions de la plus récente édition du American National Standard, National Fuel Gas Code ANSI Z223.1/NFPA 54 ou CAN/CGA B149.

IMPORTANT : La table de cuisson de la cuisinière doit être raccordée à une source d'alimentation en gaz régulée.

IMPORTANT : Les tests de fuite de la table de cuisson de la cuisinière doivent être effectués selon les instructions du fabricant.

Type de gaz

Gaz naturel :

La plaque signalétique des numéros de modèle et de série située sur la surface verticale à droite du châssis de la porte du four indique les types de gaz utilisables. Si le type de gaz disponible n'est pas mentionné sur la plaque signalétique, consulter le fournisseur de gaz local.

Conversion pour l'alimentation au propane :

L'opération de conversion doit être exécutée par un technicien de réparation qualifié.

Ne pas entreprendre de convertir la cuisinière pour une utilisation avec un gaz différent de celui indiqué sur la plaque signalétique sans d'abord consulter le fournisseur de gaz. Pour les modèles qui commencent par JGRP ou JLRP, contacter le service Dépannage pour commander le nécessaire de conversion référencé dans la section "Outils et pièces". Pour tous les autres modèles, utiliser la trousse de conversion au gaz propane fournie avec la cuisinière. Les pièces pour cette trousse se trouvent dans le sachet de documentation fourni avec la cuisinière.

Canalisation de gaz

- Installer une canalisation d'alimentation en gaz rigide de 3/4" (19 mm) jusqu'à l'emplacement d'installation de la cuisinière. L'emploi d'une canalisation de plus petit diamètre pour les circuits plus longs peut causer une déficience du débit d'alimentation. Pour l'alimentation au gaz propane, le diamètre des canalisations doit être de 1/2" (13 mm) ou plus. En général, le fournisseur de gaz propane détermine les matériaux à utiliser et le diamètre approprié.

REMARQUE : On doit utiliser un composé d'étanchéité pour tuyauteries résistant à l'action du gaz propane. Ne pas utiliser de ruban adhésif TEFLON[†].

Raccord métallique flexible :

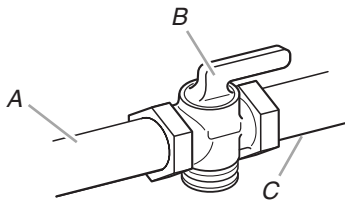
- Si les codes locaux le permettent, on peut utiliser un raccord métallique flexible (homologation CSA), de 4 à 5 pi (122 à 152,4 cm) de long, de diamètre interne de 5/8" (16 mm) ou 3/4" (19 mm) pour le raccordement de la cuisinière à la canalisation d'alimentation en gaz.



- Un raccord avec filetage mâle de 1/2" (13 mm) est nécessaire pour la connexion sur le raccord à filetage femelle à l'entrée du détendeur de la cuisinière.
- Ne pas déformer/écraser/endommager le tube métallique flexible lors d'un déplacement de la cuisinière.

IMPORTANT : Tous les raccords doivent être bien serrés à l'aide d'une clé. Ne pas serrer excessivement la connexion sur le détendeur. Un serrage excessif pourrait provoquer une fissuration du détendeur et une fuite de gaz. Lors du serrage des raccords, empêcher le détendeur de tourner ou de bouger.

- Robinet d'arrêt manuel nécessaire : Procéder à l'installation d'une vanne de fermeture manuelle pour la conduite de gaz dans un endroit facile d'accès. Ne pas entraver l'accès au robinet d'arrêt manuel. Le robinet permet d'ouvrir ou de fermer l'alimentation en gaz de la cuisinière.



- A. Canalisation d'alimentation en gaz
B. Robinet d'arrêt manuel en position d'ouverture
C. Vers la cuisinière

Détendeur

Le détendeur fourni avec cette cuisinière doit être utilisé. La pression d'alimentation du détendeur doit être comme suit pour un fonctionnement correct :

Gaz naturel :

Pression minimale : 15,2 cm colonne d'eau
Pression maximale : 35,6 cm colonne d'eau

Gaz propane :

Pression minimale : 27,9 cm colonne d'eau
Pression maximale : 35,6 cm colonne d'eau

En cas d'incertitude quant à la pression d'alimentation à établir, contacter le fournisseur de gaz local.

Débit thermique des brûleurs – Altitude

Les débits thermiques indiqués sur la plaque signalétique correspondent à une altitude d'utilisation inférieure ou égale à 2 000 pi (609,6 m).

Lorsque l'appareil est utilisé à une altitude supérieure à 2 000 pi (609,6 m), on doit réduire le débit thermique indiqué de 4 % pour chaque tranche de 1 000 pi (304,8 m).

Test de pressurisation de la canalisation de gaz

On doit tester le détendeur sous une pression supérieure d'au moins 2,5 cm (colonne d'eau) à la pression de la tubulure de distribution indiquée sur la plaque signalétique.

Pressurisation à une pression supérieure à 1/2 lb/po² (3,5 kPa) (35,6 cm – colonne d'eau)

Pour tout test de pressurisation du système à une pression supérieure à 1/2 lb/po² (3,5 kPa), on doit déconnecter la table de cuisson et son robinet d'arrêt des canalisations d'alimentation en gaz à pressuriser.

Pressurisation à une pression de 1/2 lb/po² (35,6 cm – colonne d'eau) ou moins

La cuisinière devra être isolée des canalisations d'alimentation en gaz par la fermeture du robinet d'arrêt manuel individuel durant tout test de pressurisation des canalisations d'alimentation en gaz à une pression égale ou inférieure à 1/2 lb/po² (3,5 kPa).

[†]TEFLON est une marque déposée de Chemours..

INSTRUCTIONS D'INSTALLATION

Déballage de la cuisinière

⚠ AVERTISSEMENT

Risque du poids excessif

Utiliser deux ou plus de personnes pour déplacer et installer la cuisinière.

Le non-respect de cette instruction peut causer une blessure au dos ou d'autre blessure.

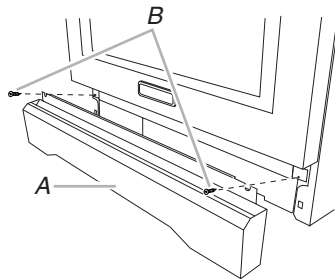
1. Ôter les matériaux d'emballage, le ruban adhésif et la pellicule protectrice de la cuisinière. Maintenir la palette d'expédition sous la cuisinière. Retirer les grilles de four et le sachet de pièces de l'intérieur du four.

2. Enlever le garde-pieds..

La cuisinière comporte soit un garde-pieds déjà installé (consulter l'option 1) ou un garde-pieds emballé sur le dessus de l'appareil (consulter l'option 2).

Option 1

- a. Enlever la bande de mousse entre la porte et le garde-pieds.
- b. Enlever les vis du garde-pieds.



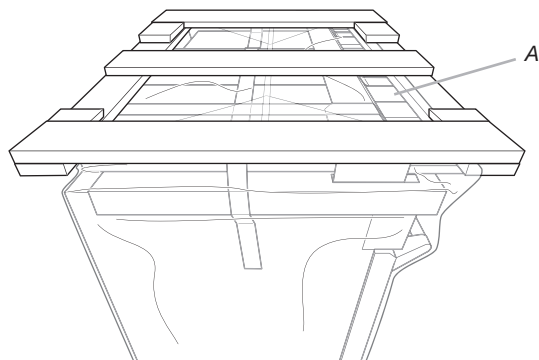
A. Garde-pieds
B. Retirer ces vis.

- c. Appuyer sur le garde-pieds pour dégager la plaque des vis à épaulement.
- d. Placer le garde-pieds sur le côté pour éviter d'érafler l'acier inoxydable.

Option 2

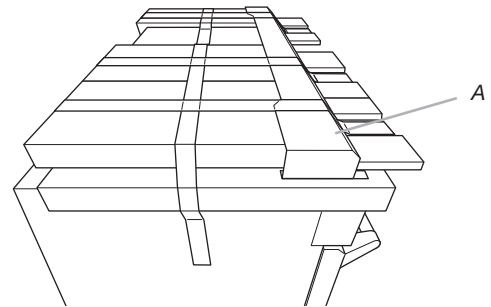
- a. Enlever le garde-pieds du dessus de la cuisinière et de l'emballage.

À l'intérieur de l'emballage



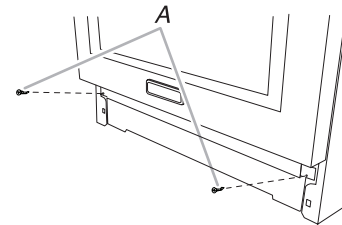
A. Garde-pieds

Emballage enlevé



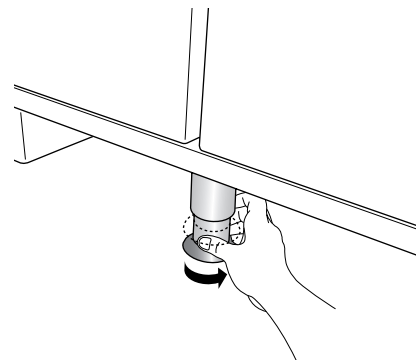
A. Garde-pieds

- b. Placer le garde-pieds sur le côté pour éviter d'érafler l'acier inoxydable.
- c. Enlever les vis de la cuisinière.



A. Retirer ces vis.

3. Pour les modèles de 48" (121,9 cm) uniquement, faire pivoter le support central dans le sens antihoraire pour le dégager de la palette jusqu'à la butée.



REMARQUE : Ce support est utilisé uniquement pour l'expédition et n'est pas nécessaire à l'installation.

4. Disposer un morceau de carton (provenant du côté de l'emballage) sur le plancher derrière la cuisinière. À deux personnes ou plus, saisir fermement chaque côté de la cuisinière. Soulever la cuisinière d'environ 3" (8,0 cm) et la déplacer vers l'arrière jusqu'à la faire descendre de la palette d'expédition. Installer la cuisinière sur le carton pour éviter d'endommager le plancher.

Installation de la bride antibasculement

AVERTISSEMENT



Risque de basculement

Un enfant ou une personne adulte peut faire basculer la cuisinière, ce qui peut causer un décès.

Fixer la bride antibasculement au plancher ou au mur, conformément aux instructions d'installation.

Faire glisser de nouveau la cuisinière de façon à ce que le pied arrière de la cuisinière se trouve dans la fente de la bride antibasculement.

Réengager la bride antibasculement si la cuisinière a été déplacée.

Ne pas faire fonctionner la cuisinière si la bride antibasculement n'est pas installée et engagée.

Le non-respect de ces instructions peut causer un décès ou des brûlures graves aux enfants et aux adultes.

- Déterminer la méthode de montage à utiliser : au plancher ou au mur.
Pour un plancher en pierre ou en briquetage, on peut utiliser la méthode de montage au mur.
- Déterminer et marquer l'axe central de l'espace à découper. On doit installer la bride de montage du côté droit de l'ouverture découpée. Placer la bride de montage dans l'ouverture découpée tel qu'indiqué dans l'illustration suivante.

Mesure B :

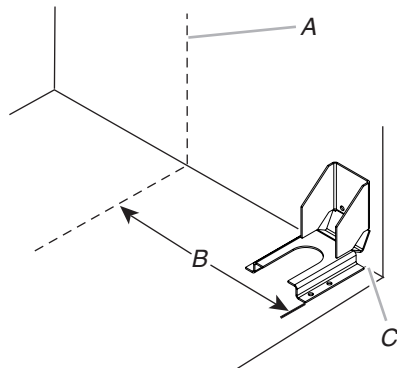
Cuisinières de 30" (76,2 cm) : 14 $\frac{1}{4}$ " (36,1 cm)

Cuisinières de 36" (91,4 cm) : 17 $\frac{1}{4}$ " (43,8 cm)

Cuisinières de 48" (121,9 cm) : 23 $\frac{3}{8}$ " (59,3 cm)

Mesure C :

Autre distance possible à partir de la paroi arrière. Si la paroi arrière est fabriquée à partir d'un matériau combustible et qu'aucun dossier n'est installé, un dégagement minimal de 6" (15,2 cm) est nécessaire pour tous les modèles. Adapter l'installation de la bride antibasculement.



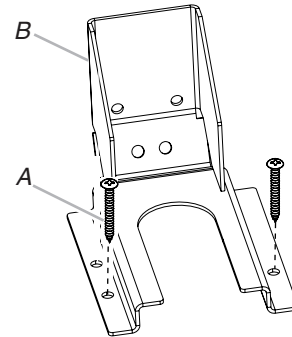
A. Axe central

B. Axe central de l'ouverture découpée jusqu'au bord extérieur de la bride antibasculement

C. Paroi arrière à l'arrière de la cuisinière

- Percer deux trous de 1/8" (3,0 mm) qui correspondent aux trous de la bride selon la méthode de montage déterminée. Voir l'illustration ci-dessous.

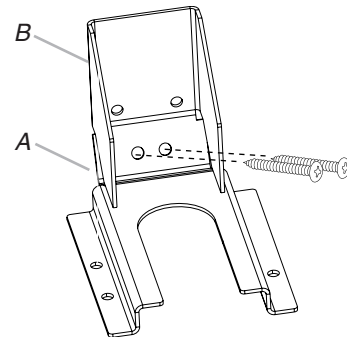
Montage au plancher



A. Vis n° 12 x 1 $\frac{5}{8}$ " (4,1 cm)

B. Bride antibasculement

Montage au mur



A. Vis n° 12 x 1 $\frac{5}{8}$ " (4,1 cm)

B. Bride antibasculement

- À l'aide d'un tournevis Phillips, monter la bride antibasculement au mur ou au plancher avec les deux vis n° 12 x 1 $\frac{5}{8}$ " (4,1 cm) fournies.

En fonction de l'épaisseur du plancher, des vis plus longues peuvent s'avérer nécessaires pour fixer la bride au sous-plancher. Des vis plus longues sont disponibles auprès de votre quincaillerie locale.

- Déplacer la cuisinière suffisamment près de l'ouverture pour pouvoir effectuer les raccordements électriques. Retirer la base d'expédition, le carton ou le panneau de fibres dur de sous la cuisinière.
- Poursuivre l'installation de la cuisinière en utilisant les instructions d'installation suivantes.

Raccordement au gaz

⚠ AVERTISSEMENT



Risque d'explosion

Utiliser une canalisation neuve d'arrivée de gaz approuvée par la CSA International.

Installer un robinet d'arrêt.

Bien serrer chaque organe de connexion de la canalisation de gaz.

En cas de connexion au gaz propane, demander à une personne qualifiée de s'assurer que la pression de gaz ne dépasse pas 36 cm (14 po) de la colonne d'eau.

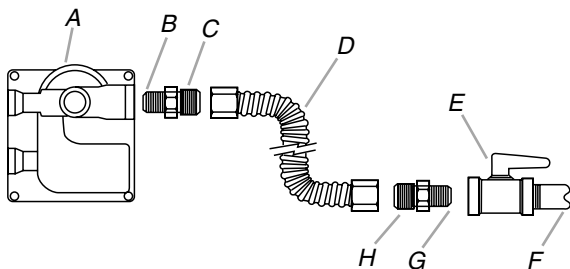
Par personne qualifiée, on comprend :

le personnel autorisé de chauffage,
le personnel autorisé d'une compagnie de gaz, et
le personnel d'entretien autorisé.

Le non-respect de ces instructions peut causer un décès, une explosion ou un incendie.

1. Assembler le connecteur flexible de la canalisation d'alimentation en gaz sur le détendeur situé au milieu de la cuisinière.
2. Appliquer un composé d'étanchéité des filetages résistant au propane sur l'extrémité filetée la plus petite des raccords d'adaptation flexibles. (Voir B et G dans l'illustration suivante.)
3. Fixer un raccord d'adaptation sur le détendeur et l'autre raccord d'adaptation sur le robinet d'arrêt de la canalisation de gaz. Serrer les deux raccords d'adaptation en s'assurant de ne pas bouger ou tourner le détendeur.
4. Utiliser une clé mixte de 15/16" (24 mm) et une pince multiprise pour fixer le raccord flexible sur les raccords d'adaptation. S'assurer que le raccord n'est pas déformé.

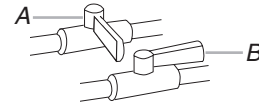
IMPORTANT : Tous les raccords doivent être bien serrés à l'aide d'une clé. Ne pas serrer excessivement la connexion sur le détendeur. Un serrage excessif pourrait provoquer une fissuration du détendeur et une fuite de gaz. Lors du serrage des raccords, empêcher le détendeur de tourner ou de bouger.



- | | |
|---|--|
| A. Détendeur | E. Robinet d'arrêt manuel |
| B. Utiliser un composé d'étanchéité pour tuyauteries. | F. Tuyau de gaz de 1/2" (13 mm) ou 3/4" (19 mm) |
| C. Raccord d'adaptation (doit comporter un filetage mâle de 1/2" [13 mm]) | G. Utiliser un composé d'étanchéité pour tuyauteries.. |
| D. Raccord flexible | H. Raccord d'adaptation |

Achever le raccordement

1. Ouvrir le robinet d'arrêt manuel sur la canalisation de gaz. Le robinet est ouvert lorsque la poignée est parallèle au conduit d'alimentation en gaz.



- A. Robinet fermé
B. Robinet ouvert

2. Vérifier tous les raccords en les badigeonnant d'une solution de détection des fuites non corrosive approuvée. L'apparition de bulles indique une fuite. Réparer toute fuite éventuelle.
3. Ôter les chapeaux, bases et grilles de brûleur de la table de cuisson du sachet de pièces. Placer les bases de brûleur sur la table de cuisson puis placer les chapeaux de brûleur sur les bases de brûleur. Ensuite, placer les grilles de brûleur sur les brûleurs et chapeaux.

⚠ AVERTISSEMENT



Risque de choc électrique

Brancher sur une prise à 3 alvéoles reliée à la terre.

Ne pas enlever la broche de liaison à la terre.

Ne pas utiliser un adaptateur.

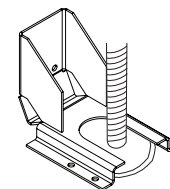
Ne pas utiliser un câble de rallonge.

Le non-respect de ces instructions peut causer un décès, un incendie ou un choc électrique.

4. Brancher la cuisinière sur une prise à 3 alvéoles reliée à la terre. Voir la section "Spécifications électriques".
5. Ouvrir la source d'alimentation. Pour plus de renseignements, consulter les instructions pour l'utilisateur dans le Guide d'utilisation et d'entretien.

Vérification de l'emplacement de la bride antibasculement

1. À l'aide d'une clé à molette ou d'une douille de 5/16" (0,79 cm), tourner les 4 mires de nivellement d'un tour complet pour soulever la cuisinière et fournir suffisamment de dégagement pour que le pied de nivellement arrière puisse pénétrer dans la bride anti-basculement.

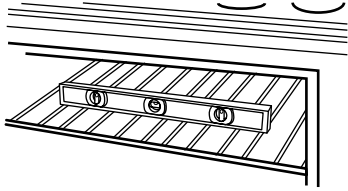


2. Déplacer la cuisinière vers son emplacement final en s'assurant que le pied de nivellement arrière glisse dans la bride antibasculement.
3. À l'aide d'une lampe de poche, inspecter le dessous de la cuisinière pour vérifier que le pied arrière de la cuisinière se trouve dans la fente de la bride antibasculement.

Réglage de l'aplomb de la cuisinière

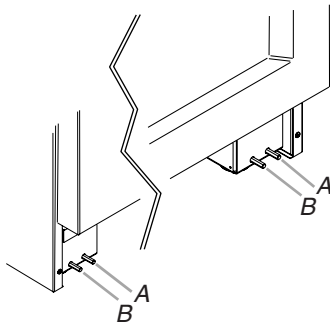
REMARQUE : La cuisinière doit être d'aplomb pour que les résultats de cuisson au four soient satisfaisants.

1. Placer la grille dans le four.
2. Placer un niveau sur la grille et contrôler l'aplomb de la cuisinière, d'abord transversalement, puis dans le sens avant/arrière.



3. Si la cuisinière n'est pas d'aplomb, ajuster les mires de nivellement. Tourner les mires de nivellement situées derrière le garde-pieds pour mettre la cuisinière d'aplomb et pour soulever ou abaisser la cuisinière à la hauteur du plan de travail désirée.

REMARQUE : Aucun pied à roulettes ne doit être en contact avec le sol lors de l'installation finale.

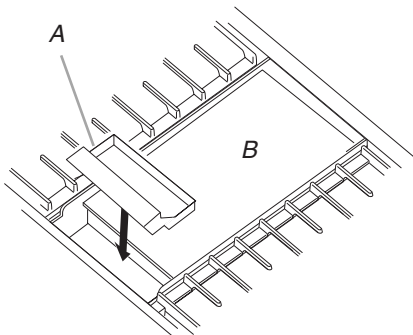


A. Mire de nivellement arrière
B. Mire de nivellement avant et en laiton

Installation de la plaque à frire (sur modèles avec plaque à frire)

La plaque à frire est installée à l'usine.

1. Placer le plateau d'égouttement dans la cavité à l'avant de la plaque à frire. Faire glisser le plateau vers l'arrière jusqu'à la position de butée.



A. Plateau d'égouttement de la plaque à frire
B. Plaque à frire

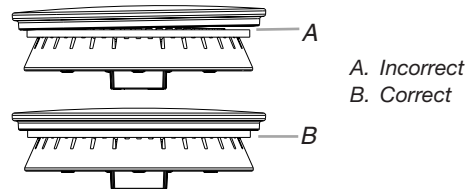
2. Nettoyer la plaque à frire avant de l'utiliser. Consulter le Guide d'utilisation et d'entretien.

Système d'allumage électronique

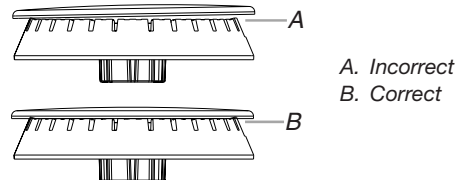
Installation des bases et des chapeaux de brûleur

Installer la base du brûleur et s'assurer que l'électrode d'allumage est correctement alignée avec la base. Placer les chapeaux de brûleurs sur la tête des bases des brûleurs. Si les chapeaux de brûleurs ne sont pas correctement installés, les brûleurs de surface ne s'allumeront pas.

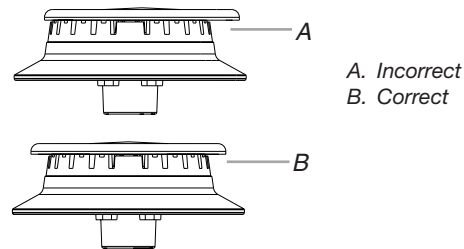
Brûleur à double flamme Ultra Power™



Brûleur professionnel



Brûleur pour faire mijoter/fondre



Allumage initial et réglages des flammes de gaz

À la place de flammes de veille, les brûleurs de la table de cuisson sont dotés d'allumeurs électroniques. Lorsqu'on place le bouton de commande de la table de cuisson dans n'importe quelle position, le système génère une étincelle pour allumer le brûleur. Les étincelles continuent d'être générées jusqu'à ce que la flamme soit allumée ou que l'on tourne le bouton à OFF (arrêt).

REMARQUE : L'allumage des brûleurs prend plus de temps la première fois. Cela permet au gaz d'arriver aux brûleurs lors de la première utilisation.

Contrôle du fonctionnement des brûleurs de la table de cuisson

Enfoncer et tourner chaque bouton de commande à LITE (allumage).

REMARQUE : Un déclic retentit lorsque la canalisation se vide.

Les brûleurs de surface et les flammes du gril doivent s'allumer en moins de 4 secondes. La première fois que l'on allume un brûleur, il peut prendre plus de 4 secondes pour s'allumer à cause de l'air se trouvant dans la canalisation de gaz.

Après avoir vérifié le bon fonctionnement du brûleur, tourner les boutons de commande à OFF (arrêt).

Si les brûleurs ne s'allument pas correctement :

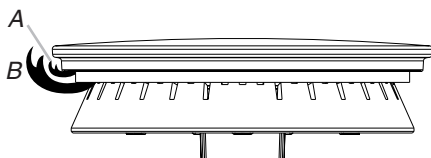
- Tourner le bouton de commande de la table de cuisson à la position OFF (arrêt).
- Vérifier que la cuisinière est branchée et que le disjoncteur n'est pas ouvert ou qu'un fusible n'a pas grillé.
- Vérifier que chaque robinet d'arrêt de gaz est à la position "open" (ouverture).
- Vérifier que les chapeaux de brûleurs sont correctement placés sur la base des brûleurs.

Répéter le processus de mise en marche. Si à ce stade un brûleur ne s'allume pas, contacter le revendeur ou un dépanneur agréé.

Hauteur de flamme

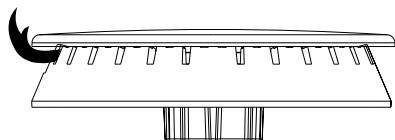
La flamme de la table de cuisson doit correspondre à une flamme bleue stable d'environ 1/4" (6,4 mm) de hauteur.

Brûleur à double flamme



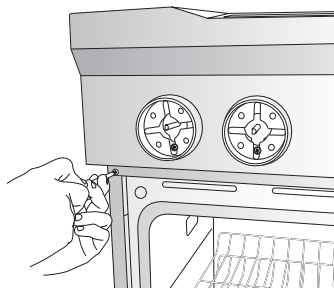
A. Flamme (mijotage) supérieure
B. Flamme inférieure

Brûleur à flamme simple



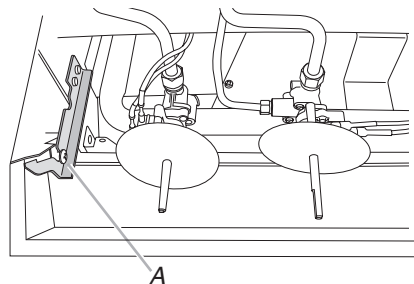
Réglage de la taille des flammes :

1. Débrancher la cuisinière ou déconnecter la source de courant électrique.
2. Ôter les grilles de brûleur.
3. Ôter les boutons de commande.
4. Ouvrir la porte du four et ôter les deux vis qui maintiennent la console de commande en place de chaque côté de la cuisinière.



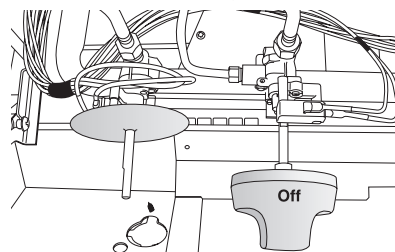
REMARQUE : Veiller à laisser la porte du four entrouverte, sans quoi la console de commande ne reposera pas correctement sur les brides latérales une fois détachée.

5. Tirer la console de commande vers le haut et la laisser retomber vers l'avant dans les brides à encoche de la console situées de chaque côté.

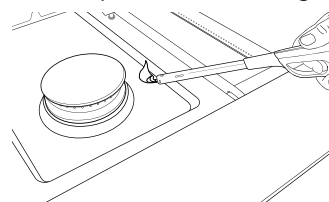


A. Bride de la console de commande

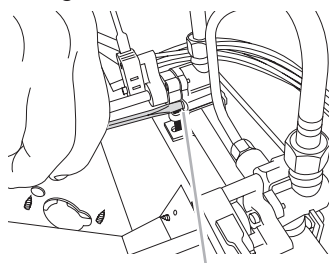
6. Ôter le joint circulaire de la tige de réglage du robinet.
7. Placer un bouton de commande sur la tige de réglage du brûleur que l'on souhaite régler.



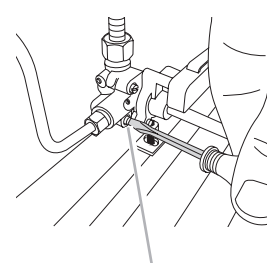
8. Tourner le bouton de commande à LO (faible) et allumer le brûleur avec un briquet à butane allongé.



9. Ôter le bouton de commande.
10. Régler la hauteur de flamme à l'aide d'un tournevis à lame plate de 1/8" x 4 1/4" (3 mm x 100 mm). Serrer la vis pour réduire la hauteur de la flamme. Desserrer la vis pour augmenter la hauteur de flamme.



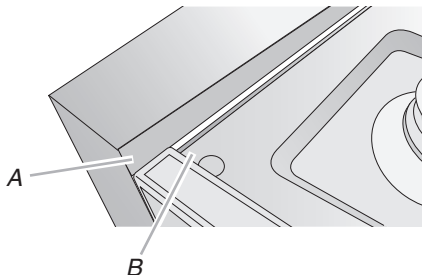
A



B

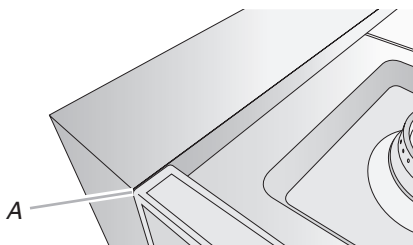
- A. Vis de réglage du brûleur à flamme simple (du côté droit du robinet)
B. Vis de réglage du brûleur à double flamme (du côté gauche du robinet)

11. Lorsque l'on a terminé de régler la hauteur de flamme, replacer le bouton de commande sur la tige de réglage du robinet et éteindre le brûleur.
12. Ôter le bouton de commande.
13. Remettre en place le joint circulaire.
14. Répéter les étapes 6 à 13 pour tout autre brûleur nécessitant un réglage.
15. Soulever la console de commande et la remettre en place. Pour que les deux soient bien emboîtées, le rebord de la console de commande doit se rabattre par-dessus la bordure de l'avant de la table de cuisson de la cuisinière.



A. Rebord de la console de commande
B. Bordure avant de la table de cuisson de la cuisinière

16. Vérifier que la console de commande est en affleurement avec le bord supérieur de la cuisinière.



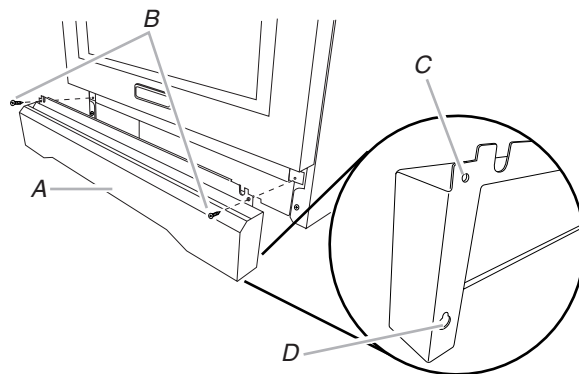
A. En affleurement avec le dessus de la cuisinière

17. Remettre en place les deux vis de chaque côté de la console de commande.
18. Réinstaller les boutons de commande.
19. Réinstaller les grilles des brûleurs.
20. Tester la flamme en tournant le bouton de commande pour le faire passer de LO (basse) à HI (élevée) et observer les flammes pour chaque réglage.

Réinstallation du garde-pieds

1. Aligner les trous de montage des vis à épaulement avec les vis à épaulement de la cuisinière.
2. Redresser le garde-pieds et le pousser contre l'avant de la cuisinière jusqu'à ce que les trous de vis supérieurs soient alignés avec les trous de montage à l'avant de la cuisinière.

3. Réinstaller les vis au sommet du garde-pieds.



A. Garde-pieds
B. Visser à nouveau ces vis.
C. Trou de vis supérieur
D. Trou de montage de vis à épaulement

Achever l'installation

1. Vérifier que toutes les pièces sont maintenant installées. S'il reste une pièce, passer en revue les différentes étapes pour découvrir laquelle aurait été oubliée.
2. Vérifier la présence de tous les outils.
3. Éliminer/recycler tous les matériaux d'emballage.
4. Pour l'utilisation et le nettoyage du four, lire le Guide d'utilisation et d'entretien.

Contrôle du fonctionnement du/des brûleur(s) du four

1. Retirer les grilles du four et le couvercle du brûleur de cuisson au four et les mettre de côté sur une surface couverte.
2. Lancer un programme de cuisson au four. Consulter le Guide d'utilisation et d'entretien pour obtenir des instructions détaillées.

Le brûleur de cuisson au four doit s'allumer en moins de 8 secondes. Dans certaines circonstances, le brûleur peut mettre jusqu'à 60 secondes à s'allumer.

Des dispositifs d'allumage électronique sont utilisés pour l'allumage des brûleurs de cuisson au four.

REMARQUE : Les flammes de cuisson au four ne peuvent pas être réglées.

Contrôle du fonctionnement du brûleur du grill

1. Retirer les grilles du four et les mettre de côté sur une surface couverte.
2. Lancer un programme de cuisson au grill. Consulter le Guide d'utilisation et d'entretien pour obtenir des instructions détaillées.

Le brûleur de cuisson au grill doit s'allumer en moins de 8 secondes. Dans certaines circonstances, le brûleur peut mettre jusqu'à 60 secondes à s'allumer.

Des dispositifs d'allumage électronique sont utilisés pour l'allumage du brûleur de cuisson au grill.

REMARQUE : Les flammes de cuisson au grill ne peuvent pas être réglées.

Si vous avez besoin d'assistance ou de service :

Consulter la section "Assistance ou service" du Guide d'utilisation et d'entretien ou contacter le marchand chez qui vous avez acheté votre cuisinière.

Notes

