

JENN-AIR® PRO-STYLE® GAS CONVECTION RANGES CUISINIÈRES À GAZ ET À CONVECTION PRO-STYLE® DE JENN-AIR®

Use & Care Guide

For questions about features, operation/performance, parts, accessories, or service in the U.S.A., call:
1-800-JENNAIR (1-800-536-6247) or visit our website at www.jennair.com.
In Canada, call: **1-800-807-6777**, or visit our website at www.jennair.ca.

Guide d'utilisation et d'entretien

Au Canada, pour assistance, installation ou service, composez le **1-800-807-6777** ou visitez notre site web à www.jennair.ca.

Table of Contents/Table des matières 2

Models/Modèles JGRP430, JGRP436, JGRP536, JGRP548

JENN-AIR®

W10399389A

TABLE OF CONTENTS

RANGE SAFETY	3
The Anti-Tip Bracket	4
PARTS AND FEATURES	6
COOKTOP USE	8
Cooktop Controls	8
Cooktop Surface	9
Sealed Surface Burners	9
Chrome Electric Griddle	10
Cookware	11
Home Canning	11
ELECTRONIC OVEN CONTROL	12
Control Panel	12
Display	13
Interactive Touch Display	13
Menu Demonstration	14
Kitchen Timer	14
Setup Menu	14
OVEN USE	16
Aluminum Foil	16
Positioning Racks and Bakeware	17
Extendable Roller Rack	17
Meat Thermometer	17
Oven Vent	18
Cooling Fan	18
Cooking Functions	18
My Creations	18
Bake	19
Broil	19
Keep Warm™ Option	20
Convect Bake	21
Convect Pastry	22
Convect Roast	22
Convect Slow Roast	23
Convect Frozen Pizza	23
Auto Convection Conversion	24
Proof	24
Rapid Proof	25
Cook Timer	25
Temperature Probe	25
Delay Start	26
RANGE CARE	27
Self-Cleaning Cycle	27
Bake Burner Covers	28
General Cleaning	29
Oven Lights	30
Oven Door	30
TROUBLESHOOTING	31
ASSISTANCE OR SERVICE	33
In the U.S.A.	33
Accessories	33
In Canada	33
WARRANTY	34

TABLE DES MATIÈRES

SÉCURITÉ DE LA CUISINIÈRE	35
La bride antibasculement	36
PIÈCES ET CARACTÉRISTIQUES	39
UTILISATION DE LA TABLE DE CUISSON	41
Commandes de la table de cuisson	41
Surface de la table de cuisson	42
Brûleurs de surface scellés	42
Plaque à frire électrique chromée	43
Ustensiles de cuisson	44
Préparation de conserves à la maison	45
MODULE DE COMMANDE ÉLECTRONIQUE DU FOUR	45
Tableau de commande	46
Affichage	46
Afficheur tactile interactif	46
Démonstration de menu	47
Minuterie de cuisine	47
Menu de réglage	47
UTILISATION DU FOUR	50
Papier d'aluminium	50
Positionnement des grilles et des ustensiles de cuisson au four	50
Grille coulissante déployable	50
Thermomètre à viande	51
Évent du four	51
Ventilateur de refroidissement	51
Fonctions de cuisson	51
Mes créations	52
Cuisson au four	53
Cuisson au gril	53
Option Keep Warm™	54
Cuisson au four par convection	55
Cuisson de pâtisseries par convection	56
Rôtissage par convection	57
Rôtissage lent par convection	57
Cuisson par convection de pizza surgelée	58
Conversion automatique pour convection	59
Levée	59
Levée rapide	60
Minuterie de cuisson	60
Sonde thermométrique	60
Mise en marche différée	61
ENTRETIEN DE LA CUISINIÈRE	62
Programme d'autonettoyage	62
Couvercles du brûleur de cuisson au four	63
Nettoyage général	65
Lampes du four	66
Porte du four	66
DÉPANNAGE	67
ASSISTANCE OU SERVICE	68
Au Canada	68
Accessoires	69
GARANTIE	70

RANGE SAFETY

Your safety and the safety of others are very important.

We have provided many important safety messages in this manual and on your appliance. Always read and obey all safety messages.



This is the safety alert symbol.

This symbol alerts you to potential hazards that can kill or hurt you and others.

All safety messages will follow the safety alert symbol and either the word "DANGER" or "WARNING." These words mean:

⚠ DANGER

You can be killed or seriously injured if you don't immediately follow instructions.

⚠ WARNING

You can be killed or seriously injured if you don't follow instructions.

All safety messages will tell you what the potential hazard is, tell you how to reduce the chance of injury, and tell you what can happen if the instructions are not followed.

WARNING: If the information in this manual is not followed exactly, a fire or explosion may result causing property damage, personal injury or death.

- Do not store or use gasoline or other flammable vapors and liquids in the vicinity of this or any other appliance.
- **WHAT TO DO IF YOU SMELL GAS:**
 - Do not try to light any appliance.
 - Do not touch any electrical switch.
 - Do not use any phone in your building.
 - Immediately call your gas supplier from a neighbor's phone. Follow the gas supplier's instructions.
 - If you cannot reach your gas supplier, call the fire department.
- Installation and service must be performed by a qualified installer, service agency or the gas supplier.

WARNING: Gas leaks cannot always be detected by smell.

Gas suppliers recommend that you use a gas detector approved by UL or CSA.

For more information, contact your gas supplier.

If a gas leak is detected, follow the "What to do if you smell gas" instructions.

State of California Proposition 65 Warnings:

WARNING: This product contains one or more chemicals known to the State of California to cause cancer.

WARNING: This product contains one or more chemicals known to the State of California to cause birth defects or other reproductive harm.

The Anti-Tip Bracket

The range will not tip during normal use. However, the range can tip if you apply too much force or weight to the open door without the anti-tip bracket fastened down properly.



! WARNING

Tip Over Hazard

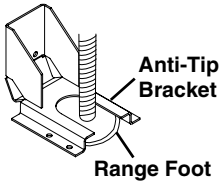
A child or adult can tip the range and be killed.

Connect anti-tip bracket to rear range foot.

Reconnect the anti-tip bracket, if the range is moved.

See the installation instructions for details.

Failure to follow these instructions can result in death or serious burns to children and adults.



Making sure the anti-tip bracket is installed:

- Slide range forward.
- Look for the anti-tip bracket securely attached to floor or wall.
- Slide range back so rear range foot is under anti-tip bracket.

IMPORTANT SAFETY INSTRUCTIONS

WARNING: To reduce the risk of fire, electrical shock, injury to persons, or damage when using the range, follow basic precautions, including the following:

- **WARNING:** TO REDUCE THE RISK OF TIPPING OF THE RANGE, THE RANGE MUST BE SECURED BY PROPERLY INSTALLED ANTI-TIP DEVICES. TO CHECK IF THE DEVICES ARE INSTALLED PROPERLY, SLIDE RANGE FORWARD, LOOK FOR ANTI-TIP BRACKET SECURELY ATTACHED TO FLOOR OR WALL, AND SLIDE RANGE BACK SO REAR RANGE FOOT IS UNDER ANTI-TIP BRACKET.
- **WARNING:** TO REDUCE THE RISK OF BURNS, DO NOT MOVE THE RANGE WHILE HOT. THIS RANGE IS PROVIDED WITH WHEELS TO FACILITATE MOVEMENT. TO REDUCE THE RISK OF INJURY DUE TO TIPPING OF THE APPLIANCE, VERIFY THE REINSTALLATION OF THE RANGE INTO THE ANTI-TIP DEVICE PROVIDED, AND EXTEND LEVELING FEET AFTER RETURNING THE RANGE TO THE ORIGINAL INSTALLED POSITION.
- **WARNING:** NEVER use this appliance as a space heater to heat or warm the room. Doing so may result in carbon monoxide poisoning and overheating of the oven.
- **WARNING:** NEVER cover any slots, holes or passages in the oven bottom or cover an entire rack with materials such as aluminum foil. Doing so blocks air flow through the oven and may cause carbon monoxide poisoning. Aluminum foil linings may also trap heat, causing a fire hazard.
- **CAUTION:** Do not store items of interest to children in cabinets above a range or on the backguard of a range – children climbing on the range to reach items could be seriously injured.
- Do Not Leave Children Alone – Children should not be left alone or unattended in area where the range is in use. They should never be allowed to sit or stand on any part of the range.

- Wear Proper Apparel – Loose-fitting or hanging garments should never be worn while using the range.
- User Servicing – Do not repair or replace any part of the range unless specifically recommended in the manual. All other servicing should be referred to a qualified technician.
- Storage in or on the Range – Flammable materials should not be stored in an oven or near surface units.
- Do Not Use Water on Grease Fires – Smother fire or flame or use dry chemical or foam-type extinguisher.
- Use Only Dry Potholders – Moist or damp potholders on hot surfaces may result in burns from steam. Do not let potholder touch hot heating elements. Do not use a towel or other bulky cloth.
- DO NOT TOUCH SURFACE UNITS OR AREAS NEAR UNITS – Surface units may be hot even though they are dark in color. Areas near surface units may become hot enough to cause burns. During and after use, do not touch, or let clothing or other flammable materials contact surface units or areas near units until they have had sufficient time to cool. Among those areas are the cooktop and surfaces facing the cooktop.
- Never Leave Surface Units Unattended at High Heat Settings – Boilover causes smoking and greasy spillovers that may ignite.
- Glazed Cooking Utensils – Only certain types of glass, glass/ceramic, ceramic, earthenware, or other glazed utensils are suitable for range-top service without breaking due to the sudden change in temperature.

SAVE THESE INSTRUCTIONS

IMPORTANT SAFETY INSTRUCTIONS

- **Utensil Handles Should Be Turned Inward and Not Extend Over Adjacent Surface Units** – To reduce the risk of burns, ignition of flammable materials, and spillage due to unintentional contact with the utensil, the handle of a utensil should be positioned so that it is turned inward, and does not extend over adjacent surface units.
 - **Clean Cooktop With Caution** – If a wet sponge or cloth is used to wipe spills on a hot cooking area, be careful to avoid steam burn. Some cleaners can produce noxious fumes if applied to a hot surface.
 - **Use Care When Opening Door** – Let hot air or steam escape before removing or replacing food.
 - **Do Not Heat Unopened Food Containers** – Build-up of pressure may cause container to burst and result in injury.
 - **Keep Oven Vent Ducts Unobstructed.**
 - **Placement of Oven Racks** – Always place oven racks in desired location while oven is cool. If rack must be moved while oven is hot, do not let potholder contact hot heating element in oven.
 - **DO NOT TOUCH HEATING ELEMENTS OR INTERIOR SURFACES OF OVEN** – Heating elements may be hot even though they are dark in color. Interior surfaces of an oven become hot enough to cause burns. During and after use, do not touch, or let clothing or other flammable materials contact heating elements or interior surfaces of oven until they have had sufficient time to cool. Other surfaces of the appliance may become hot enough to cause burns – among these surfaces are oven vent openings and surfaces near these openings, oven doors, and windows of oven doors.
 - **Proper Installation** – The range, when installed, must be electrically grounded in accordance with local codes or, in the absence of local codes, with the *National Electrical Code, ANSI/NFPA 70*. In Canada, the range must be electrically grounded in accordance with Canadian Electrical Code. Be sure the range is properly installed and grounded by a qualified technician.
 - **Disconnect the electrical supply** before servicing the appliance.
 - **Injuries may result from the misuse of appliance doors or drawers** such as stepping, leaning, or sitting on the doors or drawers.
 - **Maintenance** – Keep range area clear and free from combustible materials, gasoline, and other flammable vapors and liquids.
 - **Top burner flame size** should be adjusted so it does not extend beyond the edge of the cooking utensil.
- For self-cleaning ranges –**
- **Do Not Clean Door Gasket** – The door gasket is essential for a good seal. Care should be taken not to rub, damage, or move the gasket.
 - **Do Not Use Oven Cleaners** – No commercial oven cleaner or oven liner protective coating of any kind should be used in or around any part of the oven.
 - **Clean Only Parts Listed in Manual.**
 - **Before Self-Cleaning the Oven** – Remove broiler pan and other utensils. Wipe off all excessive spillage before initiating the cleaning cycle.
- For units with ventilating hood –**
- **Clean Ventilating Hoods Frequently** – Grease should not be allowed to accumulate on hood or filter.
 - **When flambéing foods under the hood**, turn the fan on.

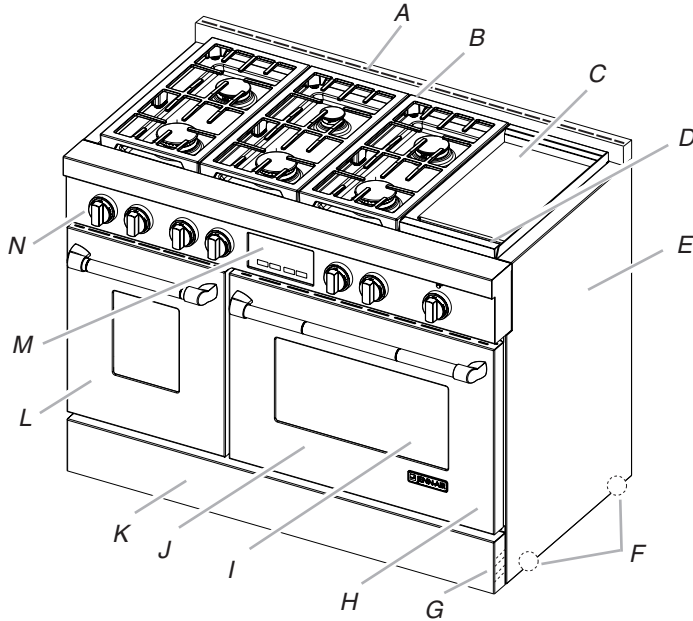
SAVE THESE INSTRUCTIONS

PARTS AND FEATURES

This manual covers several different models. The range you have purchased may have some or all of the items listed. The locations and appearances of the features shown here may not match those of your model.

NOTE: Burner ratings listed are for Natural gas.

Range

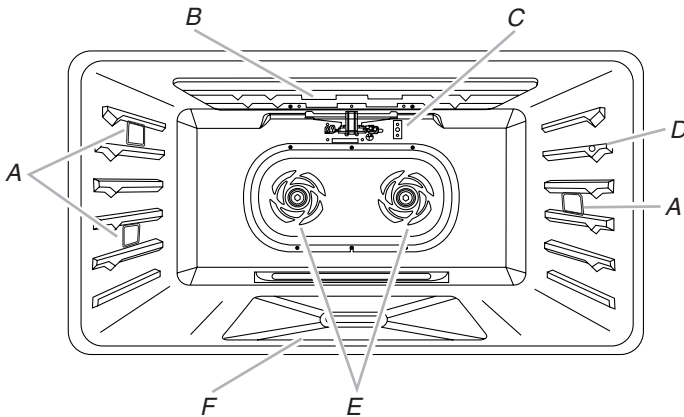


- A. Backsplash
- B. Heavy-duty single grate design
- C. Electric griddle (on some models)
- D. Drip tray
- E. Stainless steel panels
- F. Roller feet
- G. Leveling rods
- H. Balanced hinged doors
- I. Large viewing window
- J. Dual-Fan true convection oven
- K. Removable lower panel
- L. 18" (45.7 cm) true convection oven
- M. 7" (17.8 cm) full color touch-anywhere LCD
- N. Oversized stainless steel knobs

Not shown:

- Optional griddle cover
- Optional wok ring
- Optional broil pan and roasting rack
- Heavy-duty racks with handle
- Extendable roller rack with handle

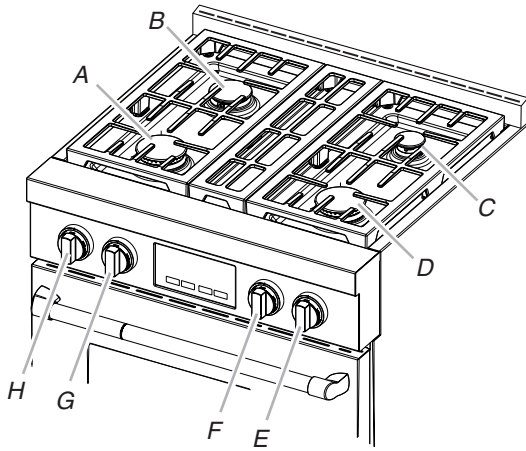
Oven Interior



- A. Halogen lights
- B. Broil burner (not available in the left oven cavity on 48" [121.9 cm] models)
- C. Oven cavity sensor
- D. Temperature probe jack (not available in the left oven cavity on 48" [121.9 cm] models)
- E. Convection fan(s)
- F. Bake burner cover

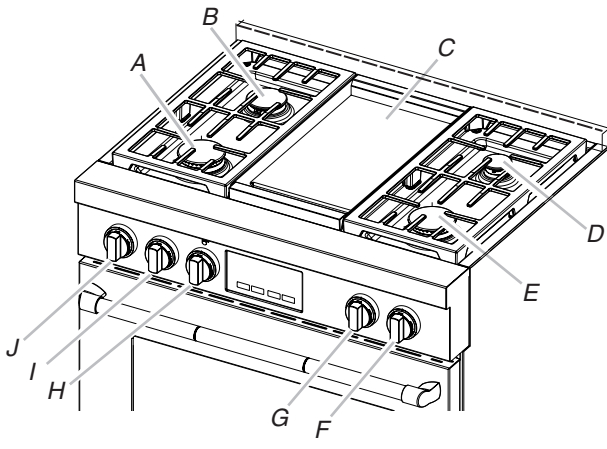
Control Panels

JGRP430



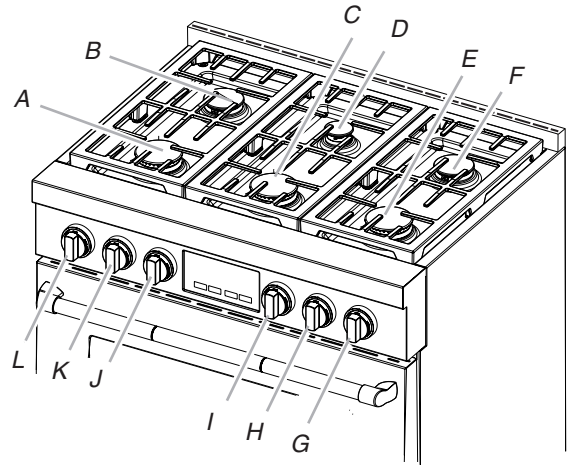
- | | |
|------------------------|-----------------------------|
| A. 20,000 Btu/h burner | E. Right front control knob |
| B. 15,000 Btu/h burner | F. Right rear control knob |
| C. 5,000 Btu/h burner | G. Left front control knob |
| D. 15,000 Btu/h burner | H. Left rear control knob |

JGRP536



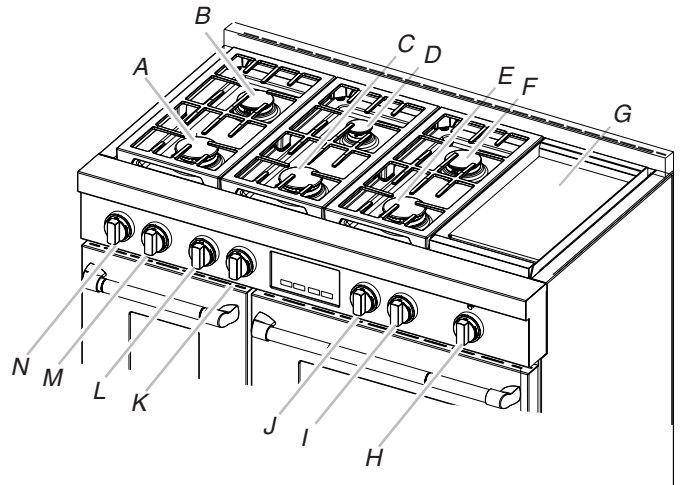
- | | |
|------------------------|-----------------------------|
| A. 20,000 Btu/h burner | F. Right front control knob |
| B. 15,000 Btu/h burner | G. Right rear control knob |
| C. Electric griddle | H. Griddle control knob |
| D. 5,000 Btu/h burner | I. Left front control knob |
| E. 15,000 Btu/h burner | J. Left rear control knob |

JGRP436



- | | |
|------------------------|------------------------------|
| A. 20,000 Btu/h burner | G. Right front control knob |
| B. 15,000 Btu/h burner | H. Right rear control knob |
| C. 15,000 Btu/h burner | I. Center front control knob |
| D. 5,000 Btu/h burner | J. Center rear control knob |
| E. 20,000 Btu/h burner | K. Left front control knob |
| F. 15,000 Btu/h burner | L. Left rear control knob |

JGRP548



- | | |
|---------------------|------------------------------|
| A. 20,000 Btu/h | H. Griddle control knob |
| B. 15,000 Btu/h | I. Right front control knob |
| C. 15,000 Btu/h | J. Right rear control knob |
| D. 5,000 Btu/h | K. Center front control knob |
| E. 20,000 Btu/h | L. Center rear control knob |
| F. 15,000 Btu/h | M. Left front control knob |
| G. Electric griddle | N. Left rear control knob |

COOKTOP USE

Cooktop Controls

! WARNING



Fire Hazard

Do not let the burner flame extend beyond the edge of the pan.

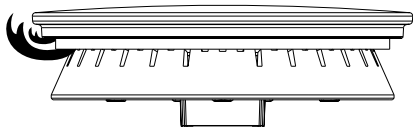
Turn off all controls when not cooking.

Failure to follow these instructions can result in death or fire.

IMPORTANT: Your cooktop is factory-set for use with Natural gas. If you wish to use LP gas, an LP Gas Conversion Kit is included with your new range. See the instructions included in the Installation Instructions for details on making this conversion. Electric igniters automatically light the surface burners when control knobs are turned to LITE.

Three different sizes of burners are provided: 20,000 Btu/h [British Thermal Units], 15,000 Btu/h, and 5,000 Btu/h.

The 20,000 Btu/h stacked power burner has an upper and lower level of flame.



The Power Hi setting uses both flame levels at full power to provide the highest heat and is ideal for cooking large quantities of food or liquid, and using large pots and pans. The Simmer Hi and Lo settings use the upper flame only and allow for accurate simmer control and cooking of smaller quantities of food.

The 5,000 Btu/h burner reaches a low of 500 Btu/h, and is ideal for cooking smaller quantities of food and melting chocolate or butter.

Before setting a control knob, place filled cookware on the grate. Do not operate a burner using empty cookware or without any cookware on the grate.

NOTE: Visually check that the burner has lit. If the burner does not ignite, listen for the clicking sound. If you do not hear the igniter click, turn off the burner. Check for a tripped circuit breaker or blown fuse.

Check that the control knob is pressed completely down on the valve shaft. If the spark igniter still does not operate, call a trained repair specialist.

Proper grounding and polarity are necessary for correct operation of the electric ignition system. If the wall receptacle or junction box does not provide correct polarity, the igniter will become grounded and occasionally click, even after the burner has ignited. Contact a trained repair specialist to check the wall receptacle or junction box to see whether it is wired with the correct polarity.

Flame-Sensing™ Reignition Feature

During cooktop use, if one or more burners are extinguished due to external causes (such as a water spill, wind or ventilation draft), the ignition system will turn on to reignite the flame. When the flame comes back on, the system will stop sparking. If the draft in the room is not removed, occasional sparking may continue. Sparking may also occasionally occur when using the low setting on a burner.

To Set:

1. Push in and turn knob counterclockwise to LITE.

When the control knobs for any small or medium burner are turned to the LITE position, all small and medium burners will click. When the control knob for the large burner is turned to the LITE position, these burners will click independent of the other burners. In both cases, only the burner with the control knob turned to LITE will produce a flame.

2. Turn knob counterclockwise to anywhere between HI and LO. Push in one more time to get from LO to Simmer HI.

Use the following charts as a guide when setting heat levels.

20,000 Btu/h Stacked Power Burner

SETTING	RECOMMENDED USE
LITE (Light)	■ Light the burner.
HI (High)	■ Start food cooking. ■ Bring liquid to a boil. ■ Preheat skillets/pans. ■ Quickly brown or sear food.
MED (Medium)	■ Fry or sauté foods. ■ Hold a boil.
LO (Low)	■ Cook soups, sauces and gravies.
Simmer HI (High)	■ Start cooking thicker foods such as tomato sauce, chili, etc.
Simmer LO (Low)	■ Hold a gentle simmer.

Simmer Burner Settings

To Set:

1. Push in and turn knob counterclockwise to LITE.

When the control knobs for any small or medium burner are turned to the LITE position, all small and medium burners will click. When the control knob for the large burner is turned to the LITE position, these burners will click independent of the other burners. In both cases, only the burner with the control knob turned to LITE will produce a flame.

2. Turn knob counterclockwise to anywhere between Simmer HI and LO.

Use the following charts as a guide when setting heat levels.

15,000 Btu/h Burner

SETTING	RECOMMENDED USE
LITE (Light)	<ul style="list-style-type: none"> Light the burner.
HI (High)	<ul style="list-style-type: none"> Start food cooking. Bring liquid to a boil. Preheat skillets/pans. Quickly brown or sear food.
MED (Medium)	<ul style="list-style-type: none"> Fry or sauté foods. Hold a boil.
LO (Low)	<ul style="list-style-type: none"> Cook soups, sauces and gravies. Stew or steam foods.

5,000 Btu/h Simmer/Melt Burner

SETTING	RECOMMENDED USE
LITE (Light)	<ul style="list-style-type: none"> Light the burner.
HI (High)	<ul style="list-style-type: none"> Cook soups, sauces and gravies. Stew or steam foods.
LO (Low)	<ul style="list-style-type: none"> Melt chocolate or butter.

REMEMBER: When cooktop is in use, the entire cooktop area may become hot.

Power Failure

In case of prolonged power failure, the surface burners can be lit manually. Hold a lit match near a burner and turn knob counterclockwise to HI. After burner lights, turn knob to setting.

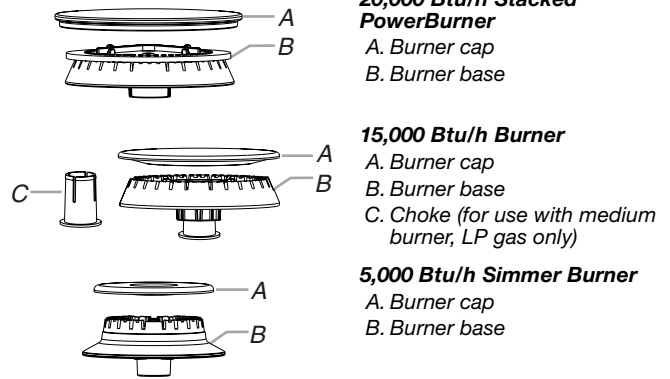
Cooktop Surface

Wiping off the cooktop, grates and caps after each use will help keep it free from stains.

Food spills containing acids, such as vinegar and tomato, should be cleaned as soon as the entire appliance is cool. These spills may affect the finish.

For more information, see the “Sealed Surface Burners” and “General Cleaning” sections.

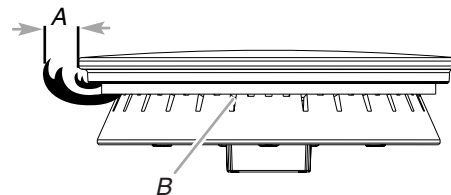
Sealed Surface Burners



IMPORTANT: Do not obstruct the flow of combustion and ventilation air around the burner grate edges.

Burner cap: Always keep the burner cap in place when using a surface burner. A clean burner cap will help avoid poor ignition and uneven flames. Always clean the burner cap after a spillover and routinely remove and clean the caps according to the “General Cleaning” section.

Gas opening: Gas must flow freely throughout the gas opening for the burner to light properly. Keep this area free of soil and do not allow spills, food, cleaning agents or any other material to enter the gas opening. Keep spillovers out of the gas opening by always using a burner cap.



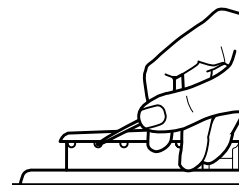
A. 1-1/2" (25-38 mm)
B. Burner ports

Burner ports: Check burner flames occasionally for proper size and shape as shown above. A good flame is blue in color, not yellow. Keep this area free of soil and do not allow spills, food, cleaning agents or any other material to enter the burner ports.

To Clean:

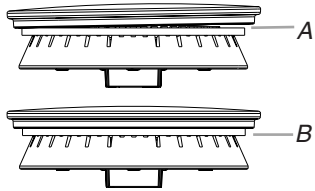
IMPORTANT: Before cleaning, make sure all controls are off and the oven and cooktop are cool. Do not use oven cleaners, bleach or rust removers.

1. Remove the burner cap and burner base and clean according to “General Cleaning” section.
2. Clean the gas opening with a damp cloth.
3. Clean clogged burner ports with a straight pin as shown. Do not enlarge or distort the port. Do not use a wooden toothpick. If the burner needs to be adjusted, contact a trained repair specialist.



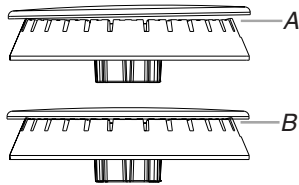
- Replace the burner cap, making sure the alignment pins are properly aligned with the burner cap.

20,000 Btu/h Stacked Power Burner



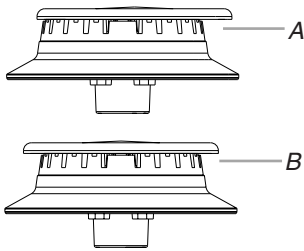
A. Incorrect
B. Correct

15,000 Btu/h Burner



A. Incorrect
B. Correct

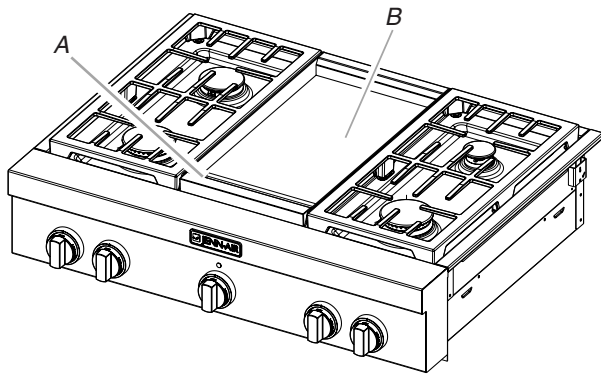
5,000 Btu/h Simmer/Melt Burner



A. Incorrect
B. Correct

- Turn on the burner. If the burner does not light, check cap alignment. If the burner still does not light, do not service the sealed burner yourself. Contact a trained repair specialist.

Chrome Electric Griddle
(on some models)



A. Drip tray
B. Griddle

The chrome electric griddle system provides an evenly heated and easy to clean cooking surface.

- Remove plastic film and clean with hot, soapy water prior to first use.
- To avoid scratching the griddle, do not place any pots or pans on the griddle.
- To avoid scratching the griddle, use only heat resistant plastic or wooden utensils.
- The griddle surface is ready to use, and does not need to be seasoned.
- Pouring cold water on a hot griddle may warp the griddle, resulting in an uneven cooking surface.

To Use:

- Position the drip tray under the front edge of the griddle to catch grease and food residue.
- Push in and turn the control knob to desired temperature.
- Refer to the griddle Preheat Chart for preheat times.

The griddle light will turn off when the griddle has finished preheating. The griddle light will turn on and off during use to indicate that the griddle element is maintaining the selected surface temperature.

- Place food on the griddle and cook to desired doneness.

Griddle Charts

The settings and times are guidelines only and may need to be adjusted for individual tastes.

Preheat Chart

TEMPERATURE	TIME TO PREHEAT (in minutes)
250°F (121°C)	10
300°F (149°C)	14
350°F (177°C)	15
400°F (204°C)	20
450°F (232°C)	25
500°F (260°C)	27

Cooking Chart

FOOD	SETTING	COOK TIME TOTAL MINUTES
Sausage patties and links	325°F (163°C)	12-18
Bacon slices	350°F (177°C)	7-11
Ham steak (fully cooked)	325°F (163°C)	5-7
Frankfurters and precooked sausages	325°F (163°C)	8-15
Ground meat patties	350°F (177°C)	10-15
Grilled sandwiches	325°F (163°C)	3-5
Fish steaks, fillets	325°F (163°C)	8-15
Eggs	300°F (149°C)	3-5
Hash brown potatoes	400°F to 425°F (204°C to 218°C)	8-12
French toast	350°F (177°C)	5-7
Pancakes	350°F (177°C)	2-4

After Each Use:

- Turn the griddle off and let cool.
- Scrape griddle residue into drip tray using heat resistant plastic or wooden utensils.
- Rinse griddle with hot, soapy water.
- Remove and clean the drip tray and the area below. Gently tip the drip tray so that the contents are not spilled when removing.

5. Clean using a nylon scrub pad with soapy water and rinse with hot water.
6. Dry griddle, drip tray and area below griddle with paper towels to remove excess grease and oil.
7. If desired, a final cleaning with diluted white vinegar will remove stubborn residues on the griddle. Use a nylon scrub pad dipped into a mixture of 1 tbs (15 mL) of white vinegar and a ½ cup (118 mL) of hot water. Gently scrub stubborn spots, rinse with hot water and dry.

Cookware

IMPORTANT: Do not leave empty cookware on a hot surface cooking area, element or surface burner.

Ideal cookware should have a flat bottom, straight sides and a well-fitting lid, and the material should be of medium-to-heavy thickness.

Rough finishes may scratch the cooktop or grates. Aluminum and copper may be used as a core or base in cookware. However, when used as a base they can leave permanent marks on the cooktop or grates.

Cookware material is a factor in how quickly and evenly heat is transferred, which affects cooking results. A nonstick finish has the same characteristics as its base material. For example, aluminum cookware with a nonstick finish will take on the properties of aluminum.

Cookware with nonstick surfaces should not be used under the broiler.

Use the following chart as a guide for cookware material characteristics.

COOKWARE	CHARACTERISTICS
Aluminum	<ul style="list-style-type: none"> ■ Heats quickly and evenly. ■ Suitable for all types of cooking. ■ Medium or heavy thickness is best for most cooking tasks.
Cast iron	<ul style="list-style-type: none"> ■ Heats slowly and evenly. ■ Good for browning and frying. ■ Maintains heat for slow cooking.
Ceramic or Ceramic glass	<ul style="list-style-type: none"> ■ Follow manufacturer's instructions. ■ Heats slowly, but unevenly. ■ Ideal results on low to medium heat settings.
Copper	<ul style="list-style-type: none"> ■ Heats very quickly and evenly.
Earthenware	<ul style="list-style-type: none"> ■ Follow manufacturer's instructions. ■ Use on low heat settings.
Porcelain enamel-on-steel or cast iron	<ul style="list-style-type: none"> ■ See stainless steel or cast iron.
Stainless steel	<ul style="list-style-type: none"> ■ Heats quickly, but unevenly. ■ A core or base of aluminum or copper on stainless steel provides even heating.

Home Canning

When canning for long periods, alternate the use of surface burners between batches. This allows time for the most recently used areas to cool.

- Center the canner on the grate.
- Do not place canner on 2 surface burners at the same time.
- For more information, contact your local agricultural department. Companies that manufacture home canning products can also offer assistance.

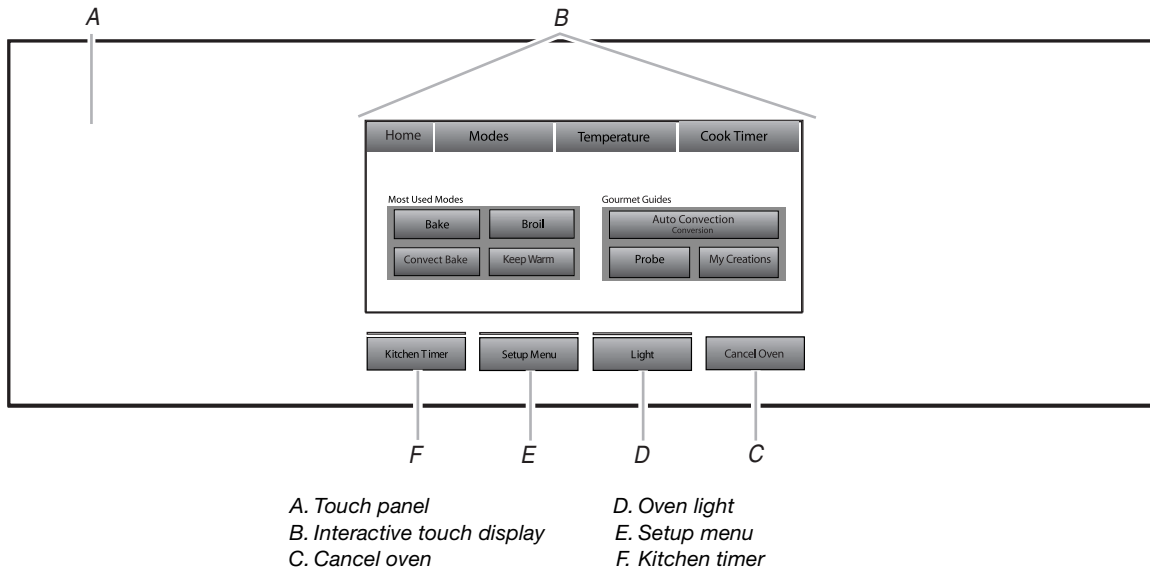
ELECTRONIC OVEN CONTROL

This manual covers different models. The oven you have purchased may have some or all of the items listed. The locations and appearances of the items shown here may not match those of your model.

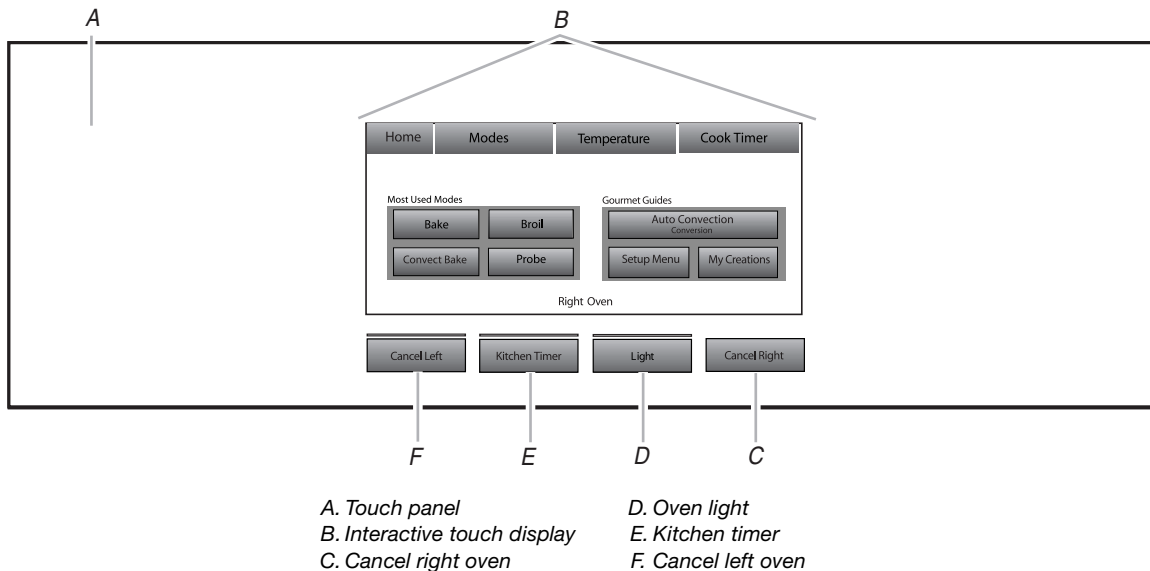
The oven's controls are accessed through its control panel and interactive touch display.

NOTE: Due to the sensitivity of the control panel, we have provided special instructions for cleaning the panel as well as the touch control panel. See "General Cleaning" section for cleaning instructions.

30" (76.2 cm) and 36" (91.4 cm) Oven Control Panel



48" (121.9 cm) Oven Control Panel



Control Panel

The control panel houses the control menu and function controls. The control pads are very sensitive, and require only a light touch to activate.

For more information about the individual controls, see their respective sections in this manual.

Welcome Guide

This appears on the display the first time the oven is powered up. The Welcome Guide allows you to set up your new oven.

1. Select the language by touching English or Français.
2. Select temperature degree units by touching Fahrenheit or Celsius.
3. Select YES or NO for Daylight Savings - Time Observed.

4. Touch NEXT.
5. Select clock units by touching AM/PM or 24-HOUR (military).
6. Touch ANALOG or DIGITAL for clock style.
7. Touch NEXT.
8. Enter current clock time using the on-screen number keyboard.

9. Touch NEXT.
10. Select today's date by using the on-screen number keyboard and use the buttons "<" and ">" to enter the month and year.
11. Select NEXT.
12. Select a screen appearance to match your oven.
13. Select DONE. This will save your adjustments.
14. See "Setup Menu" section for more detailed information.

Display

When the oven (s) are in use (active mode), the display shows the clock, mode, oven temperature and timer, if set. If the timer is not set, you can set it from this screen.

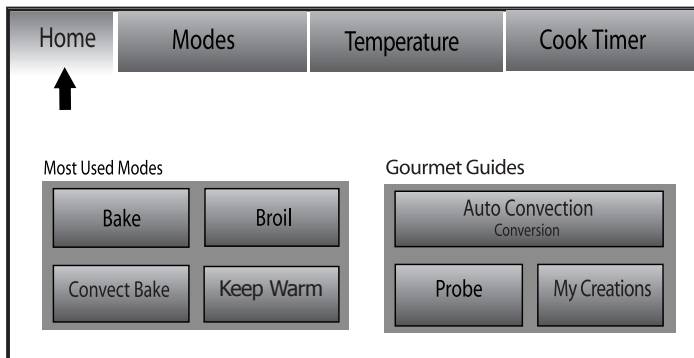
After approximately 2 minutes of inactivity, the display will go into standby (sleep) mode and the backlight of the display will dim. When the oven is in operation, the display will remain active.

During programming, the display shows menus and the appropriate selections for the respective cooking function.

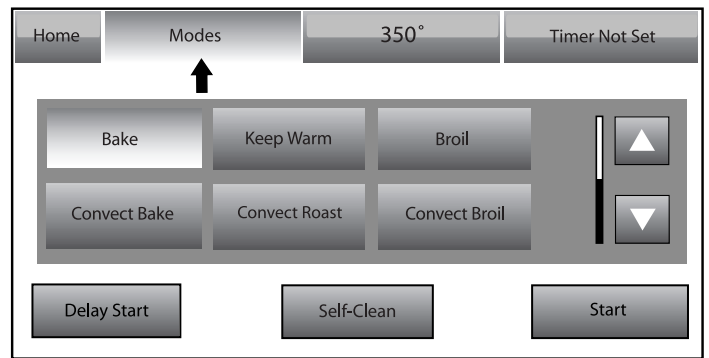
Interactive Touch Display

From the Home and Modes Menu, all automatic cooking programs can be activated; all manual cooking can be programmed; settings can be adjusted; and instructions, preparation and tips can be accessed.

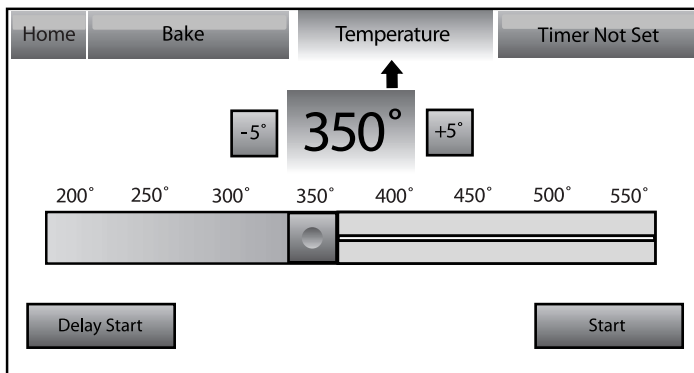
Home Menu Screen



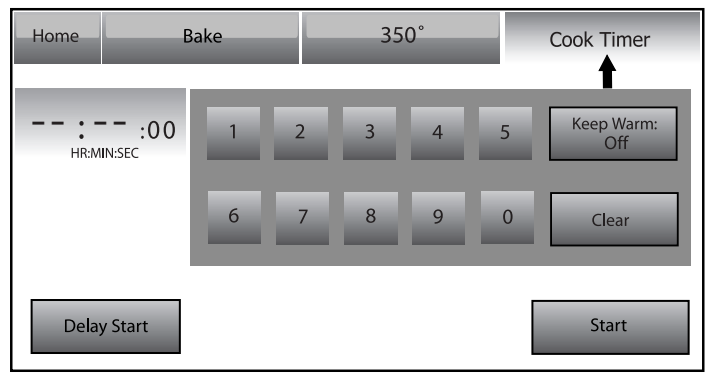
Modes Menu Screen



Temperature Menu Screen



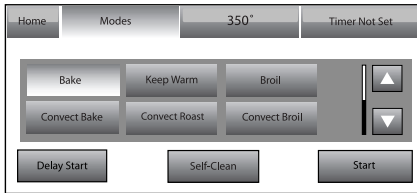
Cook Time Menu Screen



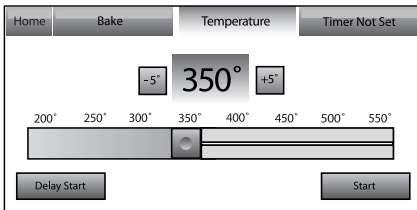
Menu Demonstration

The following demonstrates how to program a Bake cycle, starting at the Modes menu.

1. Touch the MODES tab to move to the Modes menu.
2. From the Modes menu, touch BAKE. You will move to the Temperature screen.



3. Use the slider to enter a desired cooking temperature or touch the -5°F (-1°C) or +5°F (+1°C) buttons. The temperature must be between 170°F (77°C) and 550°F (288°C).

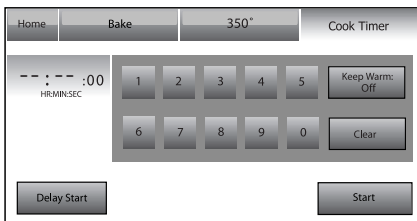


4. Touch START to begin preheating the oven.

OR

5. If a Cook Time, Keep Warm™ or Delay Start function is desired, touch TIMER NOT SET to enter the Cook Timer screen.

To set a cook time, enter a cooking length using the on-screen number keyboard. A timer will alert you when cooking ends. The time length may not exceed 12:00:00. See the "Cook Timer" section for more information.



6. (Optional) To set a delayed start, touch DELAY START and SET DELAY. See "Delay Start" section for additional information.
7. (Optional) To keep food warm after cooking ends, set Keep Warm ON. See "Keep Warm™ Option" section for additional information.
8. Press START to begin preheating the oven.
9. Place food in the oven when preheat signal sounds. The screen will say "Insert food and Set Timer, if desired."
10. Touch CANCEL (CANCEL LEFT or CANCEL RIGHT on 48" [121.9 cm] models) to turn off the oven.

Kitchen Timer

The Kitchen Timer is an independent timer not associated with the Cook Timers.

1. Touch the KITCHEN TIMER button when the clock display shows the clock screen.
2. Enter the desired time (- - : - - : - -) using the on-screen number keyboard.
3. Touch CLEAR to clear timer back to (- - : - - : - -).
4. Touch START TIMER to initiate the function.
5. To adjust the Kitchen Timer while running, touch ADJUST and choose "Cancel timer" or use the on-screen number keyboard to enter a new time.
6. If "Cancel timer" is touched, the timer is canceled and the panel is hidden.
7. When the Kitchen Timer is complete, a beep will sound.
8. When time expires, it is possible to add extra time by touching the Add More Time button. Use the on-screen number keyboard to enter additional time.
9. To hide the panel, touch OK.

Setup Menu

This oven provides ability to control several of the default settings and access information through the on-screen display. These include: Lock Buttons Now, Automatic Lock, Self-clean, Sound Volume, Set Time, Set Date, Clock Options, Sabbath Mode, Screen Brightness, Screen Appearance, Language, Regional Settings, Touchscreen Calibration, Temperature Calibration, Service Information and Reset All Settings.

To access the Setup menu:

1. Touch SETUP MENU.
2. Use the scroll bar on the right-hand of the screen to view and access settings.
3. If the oven is in use, SETUP MENU is disabled.

Lock Buttons Now

The Lock Buttons Now function allows all the buttons to be locked. This setting is automatically disabled if the Kitchen Timer is running or the oven is in use.

Slide bar up on main screen above "Slide to unlock" to unlock button/screen.

Automatic Lock

To activate the automatic lock function, press "Automatic Lock." Slide bar up on main screen to unlock buttons/screen. To deactivate this function, press "Automatic Lock" in the Setup Menu.

Set Time

1. From the Setup Menu, touch SET TIME.
2. Enter the time using the on-screen number keyboard. A valid time must be entered in order to save the settings.
3. If Clear is pressed, the clock clears to 00:00.
4. Choose AM or PM.
5. Touch SAVE. This will return you to the Clock Screen.

Date

1. From the Setup Menu, touch SET DATE.
2. Enter the day using the on-screen number keyboard.
3. Choose the month using the “<” or “>” buttons.
4. Choose the year using the “<” or “>” buttons.
5. Touch SAVE. This will return you to the Clock Screen.

Clock Options

1. From the Setup Menu, touch CLOCK OPTIONS.
2. Select desired clock units: AM/PM or 24-HOUR (military).
3. Select ANALOG or DIGITAL for clock style.
4. Touch Save. This will return you to the Clock Screen.

Sound Volume

1. From the Setup Menu, touch SOUND VOLUME.
2. Adjust the timer, button press, or alert sounds; use the slider bar to enter desired sound levels.
3. Touch ON/OFF to toggle between settings for start-up and shutdown sounds. When “On,” the oven will make a sound when it transitions in and out of idle mode. When “Off,” no sounds will be made.
4. If the Cancel button is touched, the sounds settings will go to the recommended level.
5. Touch SAVE. This will return you to the Clock Screen.

Screen Appearance

1. From the Setup Menu, touch SCREEN APPEARANCE.
2. Select a screen appearance to match your oven.
3. Touch SAVE. This will return you to the Clock screen. The following message will show: “You have selected a new theme. The oven will reset momentarily. Please wait.” It will take approximately 1 minute to restart the oven with the new settings.

Screen Brightness

1. From the Setup Menu, touch SCREEN BRIGHTNESS.
2. Use the slider bar to adjust the screen brightness.
3. Choose “Dim The Screen” or “Turn-Off The Screen” for use when the oven has been idle for 5 minutes.
4. If the Cancel button is touched, the screen brightness will go to the recommended level and return you to the clock display screen.
5. Touch SAVE. This will return you to the Clock Screen.

Language

1. From the Setup Menu, touch LANGUAGE.
2. From the Language Menu, select your language: English or Français.
3. If Cancel button is touched, the language will go back to the default setting.
4. Touch SAVE. This will return you to the Clock Screen.

Regional Settings

1. From the Setup Menu, touch REGIONAL SETTINGS.
2. Select a temperature unit: Fahrenheit or Celsius. Toggle between °F/°C.
3. Select YES or NO to observe Daylight Saving Time.
4. Touch SAVE. This will return you to the Clock Screen.

Self-Clean

This setting is disabled while oven is in use. See the “CustomClean™ Self-Cleaning with Adjustable Levels and Auto Lock” section.

Sabbath Mode

The Sabbath Mode sets the oven to remain on in a bake setting until turned off. A timed Sabbath Mode can also be set to keep the oven on for only part of the Sabbath. When the Sabbath Mode is set, only the number and start keys will function. No tones will sound, and the display will not show messages or temperatures changes. The heat source icons will appear lit on the oven display throughout the Sabbath Mode.

When the oven door is opened or closed, the oven light will not turn on or off and the burners will not turn on or off immediately.

If a power failure occurs when the Sabbath Mode is set, the oven will remain in Sabbath Mode but will no longer be actively cooking. When power returns, the display will read “SABBATH MODE - Power outage has occurred.” Touch CANCEL to return to the normal operating mode (non-Sabbath Mode, not cooking).

WARNING



Burn Hazard

Use an oven mitt to remove temperature probe.

Do not touch broil element.

Failure to follow these instructions can result in burns.

NOTE: If you touch Sabbath Mode while the temperature probe is set, a message will appear saying “Probe not inserted.” Remove the probe and touch NEXT to enter the Sabbath Mode. Touch CANCEL to return to the Bake mode.

To Use Sabbath Mode:

The Sabbath Mode must be enabled each time it is used.

1. From the Setup Menu, scroll the bar until Sabbath Mode appears and touch SABBATH MODE.
2. From the Sabbath Mode Menu, read the on-screen instructions and touch OFF to turn Sabbath Mode on.

NOTE: Sabbath Mode disables the 12-hour shutoff. All lights and displays are disabled so that no visible activity takes place when the oven door is opened.

3. On 48" [121.9 cm] ranges, select the oven to set up by pressing the Left Oven or Right Oven buttons.

4. Touch COOKING SETTING. To select the oven temperature, use the slider to enter a desired temperature or touch the -5°F (-1°C) or +5°F (+1°C) buttons to decrease or increase the temperature. The temperature must be between 170°F (77°C) and 550°F (288°C) or an invalid key alert occurs and the default temperature appears on the screen.
5. Press NEXT.
6. If desired, set the Cook Timer by using the on-screen number keyboard. The time length may not exceed 12:00:00. When the timer ends, the oven cavity will stop heating.
7. Press NEXT.
8. On 48" [121.9 cm] ranges, repeat steps 1-7 to set the second oven, if desired.

⚠ WARNING

Food Poisoning Hazard

Do not let food sit in oven more than one hour before or after cooking.

Doing so can result in food poisoning or sickness.

9. (Optional) To set a Delayed Start, touch DELAY START and set the desired time. See the "Delay Start" section for more information.
10. Press START to begin heating the oven.
11. Press CANCEL OVEN (CANCEL LEFT or CANCEL RIGHT on 48" [121.9 cm] models) to turn off the oven.

To Disable Sabbath Mode:

Sabbath Mode will automatically be disabled when a cook time ends, or can be disabled by pressing Cancel. "Sabbath Mode: OFF" will appear on screen. To program a new cycle, follow steps 2 - 11 in the "To Use Sabbath Mode" section.

To Change Temperature:

The oven temperature can be changed when the oven(s) are in the Sabbath Mode. No tones will sound, and the display will not change. Touch the -25°F (-14°C) or +25°F (+14°C) buttons once for each 25°F (14°C) temperature change desired.

NOTE: On double ovens, if both ovens are operating in Sabbath Mode, the temperature of each oven can be changed independently. Touch the -25°F (-14°C) or +25°F (+14°C) buttons for the desired oven.

Temperature Calibration

1. From the Setup Menu, touch TEMPERATURE CALIBRATION.
2. On 48" (121.9 cm) ranges, select which oven to calibrate by pressing LEFT OVEN or RIGHT OVEN.
3. Touch NEXT.
4. Select the temperature offset. Press -1° button if oven seems too hot or +1° button if oven seems too cold. The oven can be adjusted +/- 35°F.
5. Touch SAVE and the adjustment has been made.

Touchscreen Calibration

IMPORTANT: If the buttons on the screen are difficult to touch accurately, you may need to calibrate the touchscreen.

1. From the Setup Menu, touch TOUCHSCREEN CALIBRATION.
2. Touch NEXT.
3. You will be asked to touch, hold and release 3 targets to calibrate.
4. You will be asked to again touch the same targets in 10 seconds. If calibration failed, it will restart the process at Step 2.
5. Test calibration by moving the circle around the screen. Ensure you can reach all the corners.
6. Touch TRY AGAIN to run calibration again.
7. If CANCEL is touched, the Touchscreen Calibration will be canceled.
8. Touch SAVE. This will return you to the Clock Screen.

Reset All Settings To Factory Defaults

1. From the Setup Menu, touch RESET ALL SETTINGS.
2. Touch RESET or CANCEL.
3. If Reset is touched, the following settings will be lost: most used modes, My Creations, Date/Time, and Language. The Welcome Guide will appear to help you reset these settings.

Service Information

For more information, see the "Assistance or Service" section.

1. From the Setup menu, touch SERVICE INFORMATION.
2. Choose ON or OFF for Demo Mode.
3. If CANCEL is touched, the Service Information will go back to the default setting.
4. Touch SAVE. This will return you to the Clock Screen.

OVEN USE

Odors and smoke are normal when the oven is used the first few times, or when it is heavily soiled.

During oven use, the heating elements will not remain on, but will cycle on and off throughout oven operation.

IMPORTANT: The health of some birds is extremely sensitive to the fumes given off. Exposure to the fumes may result in death to certain birds. Always move birds to another closed and well-ventilated room.

Aluminum Foil

IMPORTANT: To avoid permanent damage to the oven bottom finish, do not line the oven bottom with any type of foil or liner.

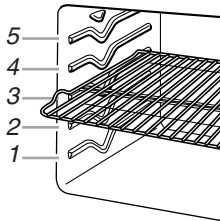
- For best cooking results, do not cover entire rack with foil because air must be able to move freely.
- To catch spills, place foil on rack below dish. Make sure foil is at least ½" (1.3 cm) larger than the dish and that it is turned up at the edges.

Positioning Racks and Bakeware

IMPORTANT: To avoid permanent damage to the porcelain finish, do not place food or bakeware directly on the oven door or bottom.

RACKS

- Position racks before turning on the oven.
- Do not position racks with bakeware on them.
- Make sure racks are level.



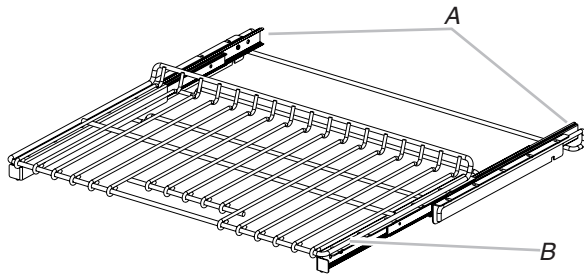
BAKEWARE

To cook food evenly, hot air must be able to circulate. Allow 2" (5.0 cm) of space around bakeware and oven walls.

Extendable Roller Rack

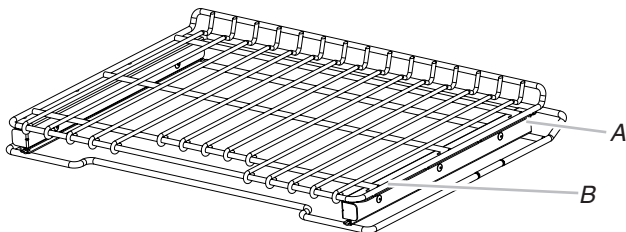
The extendable roller rack allows easy access to position and remove food in the oven. It can be used in rack positions 1 through 4. The extendable roller rack will not fit in position 5.

Open Position



A. Extendable roller rack
B. Sliding shelf

Closed and Engaged Position

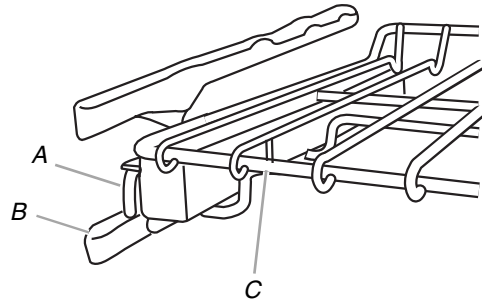


A. Extendable roller rack
B. Sliding shelf

To Remove the Extendable Roller Rack:

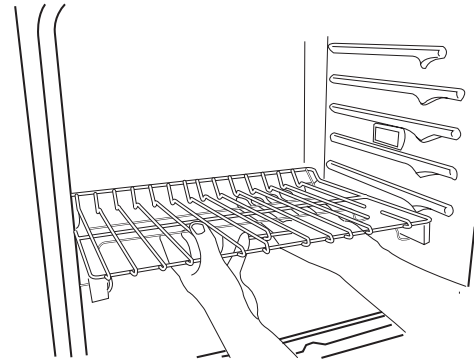
1. Slide the rack in completely so that it is closed and engaged with the sliding shelf.
2. Using 2 hands, lift up on the front edge of the rack and the sliding shelf together. Slowly push both to the back wall of the oven so the front edge of the sliding shelf sits on the rack guide located on the sides of the oven.

The front edge of the rack and the sliding shelf should be higher than the back edge.



A. Sliding shelf
B. Rack guide
C. Extendable roller rack

3. Using 2 hands, lift up the back of the rack and the sliding shelf so that the back and front are level on the rack guide.



4. Pull the rack and the sliding shelf out.

To Replace Extendable Roller Rack

1. Using 2 hands, grasp the front of the closed rack and the sliding shelf. Place the closed rack and the sliding shelf on the rack guide.
2. Slowly push the rack and the sliding shelf to the back of the oven until the back edge of the sliding shelf drops.
3. Pull the rack and the sliding shelf slightly forward until the front edge drops and the sliding shelf is on the rack guide.

To avoid damage to the sliding shelves, do not place more than 25 lbs (11.4 kg) on the rack.

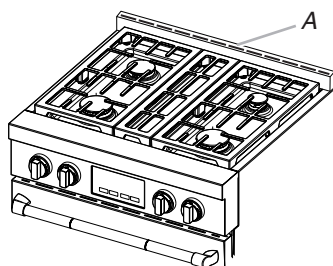
Do not clean the extendable roller rack in a dishwasher. It may remove the rack's lubricant and affect its ability to slide.

See the "General Cleaning" section for more information.

Meat Thermometer

On models without a temperature probe, use a meat thermometer to determine whether meat, poultry and fish, are cooked to the desired degree of doneness. The internal temperature, not appearance, should be used to determine doneness. A meat thermometer is not supplied with this appliance. Follow manufacturer's directions for using a meat thermometer.

Oven Vent



A. Oven vent

The oven vent should not be blocked or covered since it allows the release of hot air and moisture from the oven. Blocking or covering the vent will cause poor air circulation, affecting cooking and cleaning results. Do not set plastics, paper or other items that could melt or burn near the oven vent.

Cooling Fan

The oven has a 2-speed cooling fan motor.

When the oven temperature reaches 475°F (246°C), or is in the Self-Cleaning cycle, the fan will operate at its highest speed to increase airflow and better exhaust the hotter air through the oven vent(s). An increase in noise may be noticeable until the oven cools.

Cooking Functions

The Home Tab allows for easy access to the Most Used Modes and Culinary Assistants.

1. Touch the MODES tab to move to the Modes menu.
2. From the Modes menu, select one of the following options: Bake, No Preheat 1-rack Cooking, Broil, Keep Warm, Convection Bake, Convection Bake Rapid Preheat, Convection Broil, Convection Pastry, Convection Roast, Convection Slow Roast, True Convection, or Proof.
3. Touch the Temperature tab to move to the Temperature screen.
4. The default temperature and its range is shown in the following table. To change the temperature, move the slider to enter a desired cooking temperature or touch the -5°F (-1°C) or +5°F (+1°C) buttons.

Mode	Default Temperature	Range
Bake	350°F (177°C)	170-550°F (77-288°C)
Broil	550°F (288°C)	450-550°F (232-238°C)
Keep Warm	170°F (77°C)	150-200°F (66-93°C)
Cvt. Bake	325°F (163°C)	170-550°F (77-288°C)
Cvt. Roast	350°F (177°C)	170-550°F (77-288°C)
Cvt. Slow Roast 4h	275°F (135°C)	250-300°F (120-150°C)
Cvt. Slow Roast 8h	225°F (107°C)	200-250°F (93-120°C)
Cvt. Slow Roast 12h	185°F (85°C)	170-225°F (77-107°C)
Cvt. Pastry	325°F (163°C)	170-550°F (77-288°C)
Cvt. Frozen Pizza	400°F (204°C)	170-550°F (77-288°C)
Proof	100°F (38°C)	
Rapid Proof	200°F (93°C)	

5. (Optional) For cook timer, enter a cooking length using the on-screen number keyboard to set a timer to alert you when cooking ends. The time length may not exceed 12 hours. See "Cook Timer" section for additional information.
6. (Optional) To keep food warm after cooking ends, turn Keep Warm ON. See the "Keep Warm™ Option" section for additional information.
7. (Optional) To set a delayed start, touch DELAY START and set the desired time. See the "Delay Start" section for additional information.
8. Press START to begin cooking.
9. Press CANCEL OVEN (CANCEL LEFT or CANCEL RIGHT on 48" [121.9 cm] models) to turn off the oven.

My Creations

My Creations allows the customization of cooking processes. When My Creations is selected from the main menu a list of existing creations is presented along with the ability to create more.

1. From the Home tab, touch MY CREATIONS.
If nothing has yet been added to My Creations, a welcome screen will appear, explaining the feature and providing the option to create a new entry. It should read: "Save frequent recipe settings for easy access in the future! You may also link multiple modes together. For example, create a favorite lasagna recipe which bakes for 40 minutes, then broils 5 minutes at the end to brown the cheese."
2. Touch CREATE NEW.
3. Select the desired cooking mode: Bake, Keep Warm, Broil, Convection Bake, Convection Roast, Convection Frozen Pizza, Convection Slow Roast, Convection Pastry, Proof, or Rapid Proof.
4. Touch NEXT.
5. Select the desired cooking temperature. Use the slider to enter a desired cooking temperature or touch the 5°F (-1°C) or +5°F (+1°C) buttons, then touch NEXT.
6. Select how to monitor cooking: TIMER (alerts you when a cook timer is complete), PROBE (alerts you when a target probe temperature is reached), or NONE (no alerts).
7. If Timer is chosen, enter the cook timer length using the on-screen number keyboard and touch NEXT.

WARNING



Burn Hazard

Use an oven mitt to remove temperature probe.

Do not touch broil element.

Failure to follow these instructions can result in burns.

8. The Probe can be used only with Bake, Convection Bake and Convection Roast. If Probe is chosen, select the probe target internal temperature. Use the -5°F (-1°C) or +5°F (+1°C) buttons to decrease or increase the set temperature, then touch NEXT.
9. Touch ADD STAGE to enter new stage information.
10. Review your settings. Touch EDIT to re-enter the settings or touch DELETE to immediately delete the stage.

11. Touch SAVE or SAVE & START.

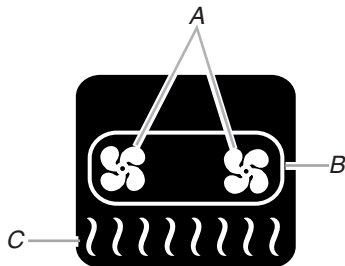
When saving, you can enter a name for the food using an on-screen keyboard. Press a keyboard key repeatedly to cycle through its letters. For example, press "ABC" once to enter "a," twice to enter "b" and three times to enter "c." After 2 seconds, the letter is accepted, and cursor moves to the next position. A name cannot exceed 40 characters, including spaces. Touch DELETE to delete the last character in the text box.

12. Touch OK.

13. NOTE: If you would like to edit after saving the settings, enter into My Creations from the Home Tab. Select the setting name you would like to edit and touch EDIT at the bottom of screen. Select EDIT for the steps you want to edit then enter new settings.

Bake

During baking, the bake burner will cycle on and off in intervals to maintain the oven temperature. Bake is used to cook up to 2 racks of food. For best results, allow the oven to preheat prior to placing food in the oven.



A. Convection fans
B. Convection element
C. Bake burner

If the oven door is opened during baking, the bake burner will turn off approximately 30 seconds after the door is opened. They will turn on again approximately 30 seconds after the door is closed.

Before Using Bake:

Before using Bake, see the "Positioning Racks and Bakeware" section and the following tips for rack positions.

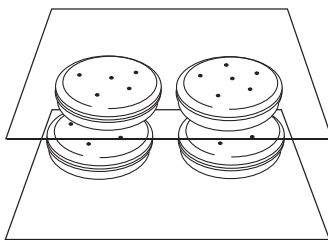
Rack positions

1-rack baking: 3

2-rack baking: 2 and 4

For meat and poultry: 2

For best results when baking cakes on 2 racks, use racks 4 and 2 for baking. Place the cakes on the racks as shown.



To Use Bake:

1. Touch MODES to move to the Modes menu.
2. From the Modes menu, touch BAKE.

3. After touching Bake, you will move to the Temperature screen, or you may touch the Temperature tab to move to the Temperature screen.

Use the slider to enter a desired cooking temperature or touch the -5°F (-1°C) or +5°F (+1°C) buttons. The temperature must be between 170°F (77°C) and 550°F (288°C).

4. Touch START to begin preheating oven.

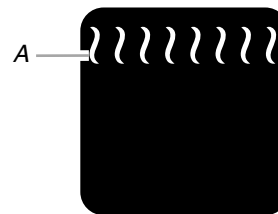
OR

5. If a programmed cook time is desired, touch TIMER NOT SET to enter the Cook Timer screen. Enter a cooking length using the on-screen number keyboard to set a timer to alert when cooking ends. The cook time may not exceed 12:00:00. The oven will turn off when the cook time expires.
6. (Optional) To keep food warm after a programmed cook timer ends, press KEEP WARM ON from the Cook Timer screen. See the "Keep Warm™ Option" section for additional information.
7. (Optional) To set a delayed start with a cook time, touch the TIMER NOT SET/COOK TIMER screen and enter desired cook time. Select DELAY START, set the desired start time and touch SET DELAY. To set only a delay start, touch DELAY START from the temperature tab, set the desired time and touch SET DELAY.
8. Touch START to begin cooking or to activate Delay Start.
9. To change a mode, temperature or cook time while the oven is active, touch the appropriate tab. Make a new selection and touch OK.
10. Press CANCEL OVEN (CANCEL LEFT or CANCEL RIGHT on 48" [121.9 cm] models) to turn off the oven.

Broil

NOTE: This feature is not available on the left oven on 48" (121.9 cm) models.

Broiling uses direct radiant heat to cook food.



A. Broil

The broil burner cycles on and off in intervals to maintain the oven temperature.

If the oven door is opened during broiling, the broil burner will turn off in approximately 30 seconds. When the oven door is closed, the broil burner will come back on approximately 30 seconds after the door is closed.

- For best results, use a broiler pan and grid. It is designed to drain juices and help avoid spatter and smoke.
If you would like to purchase a Broiler Pan Kit, it may be ordered. See "Assistance or Service" section to order. Ask for Part Number W10123240.
- For proper draining, do not cover the grid with foil. The bottom of the broiler pan may be lined with aluminum foil for easier cleaning.
- Trim excess fat to reduce spattering. Slit the remaining fat on the edges to avoid curling.
- Pull out oven rack to stop position before turning or removing food. Use tongs to turn food to avoid the loss of juices. Very thin cuts of fish, poultry or meat may not need to be turned.

- After broiling, remove the pan of food from the oven. Drippings will bake on the pan if left in the heated oven, making cleaning more difficult.

To Use Broil:

Before broiling, position rack according to the Broiling Chart.

When broiling, changing the temperature allows more precise control. The lower the temperature, the slower the cooking. Thicker cuts and unevenly shaped pieces of meat, fish and poultry may cook better at lower broiling temperatures.

Position food on the grid on the broiler pan, then place it in the center of the oven rack with the longest side parallel to the door. Close the door. Preheat 3-5 minutes before putting food in the oven.

1. Place food in oven.
2. Touch MODES tab to move to the Modes menu.
3. Touch BROIL.
4. Touch the Temperature tab to move to the Temperature screen.
Use the slider to enter a desired cooking temperature or touch the -5°F (-1°C) or + 5°F (+1°C) buttons. The temperature must be between 450°F (232°C) and 550°F (288°C).

5. Touch START to begin cooking.

OR

6. If a programmed cook time is desired, touch TIMER NOT SET to enter the Cook Timer screen. Enter a cooking length using the on-screen number keyboard to set a timer to alert when cooking ends. The cook time may not exceed 12:00:00. The oven will turn off when the cook time expires.
7. (Optional) To keep food warm after a programmed cook timer ends, press KEEP WARM ON from the Cook Timer screen. See the “Keep Warm™ Option” section for additional information.
8. (Optional) To set a delayed start with a cook time, touch the TIMER NOT SET/COOK TIMER screen and enter desired cook time. Select DELAY START, set desired start time and touch SET DELAY. To set only a delay start, touch DELAY START from the temperature tab, set the desired time and touch SET DELAY.
9. Touch START to begin cooking or to activate Delay Start.
10. To change a mode, temperature or cook time while the oven is active, touch the appropriate tab. Make a new selection and touch OK.
11. Press CANCEL OVEN (CANCEL RIGHT on 48" [121.9 cm] models) to turn off the oven.

BROILING CHART

For best results, follow the chart below. For diagram, see the “Positioning Racks and Bakeware” section.

A temperature setting of 550°F (288°C) is recommended for most foods. Bone-in chicken pieces should be broiled at 450°F (232°C)

Times are guidelines only and may need to be adjusted for individual foods and tastes. Preheat if required by the recipe.

FOOD/TEMPERATURE SETTING/RACK POSITION	COOK TIME (in minutes)
Beef/550°F (287.7°C)	
Steak 1" to 1¼" (2.5 cm to 3 cm) thick	15-18
medium-rare	18-21
medium	21-25
well-done	
Pork/550°F (287.7°C)	
Pork chops 1" (2.5 cm) thick	18-23
medium	
Lamb/550°F (287.7°C)	
Lamb chops 1" (2.5 cm) thick	15-18
medium-rare	18-23
medium	
Ground Meats/550°F (287.7°C)	
Ground beef, pork or lamb patties ¾" (2 cm) thick	14-17
well-done	
Chicken/450°F (232.2°C)	
Chicken bone-in pieces (2" to 2½" [5 cm to 6.3 cm])	39-42
boneless pieces (4 oz, [113 g])	14-18
Fish/450°F (232.2°C)	
Fish Fillets ½" to ¾" (1.25 to 2 cm) thick	9-12
Steaks 1" (2.5 cm) thick	19-24

Keep Warm™ Option

⚠ WARNING

Food Poisoning Hazard

Do not let food sit in oven more than one hour before or after cooking.

Doing so can result in food poisoning or sickness.

IMPORTANT: Food must be at serving temperature before placing it in the warmed oven. Food may be held up to 1 hour; however, breads and casseroles may become too dry if left in the oven during the Keep Warm™ function.

The Keep Warm™ option allows hot cooked foods to stay at serving temperature. It can also be used at the end of a timed cook.

To Use Keep Warm™ Option:

1. Place food in oven.
2. Touch MODES to move to the Modes menu.
3. From the Modes menu, touch KEEP WARM.
4. Touch the Temperature tab to move to the Temperature screen.
Use the slider to enter a desired cooking temperature or touch the -5°F (-1°C) or +5°F (+1°C) buttons. The temperature must be between 150°F (66°C) and 200°F (93°C).
5. Touch START to begin Keep Warm™ cycle.
6. If a Cook Time, Keep Warm™ or Delay Start function is desired, touch TIMER NOT SET to enter the Cook Time screen or touch the Delay Start button from the Temperature tab.
Enter a cooking length using the on-screen number keyboard to set a timer to be alerted when cooking ends. The time length may not exceed 12:00:00.
7. (Optional) To set delayed start, touch DELAY START and set desired time. See “Delay Start” section for additional information.
8. Touch START to begin Keep Warm™ cycle.
9. Touch CANCEL (CANCEL LEFT or CANCEL RIGHT on 48" [121.9 cm] models) to turn off the oven.

To Use Keep Warm™ Option at the End of a Cooking Cycle:

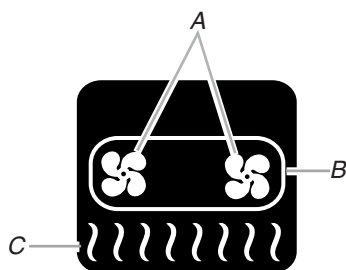
The Keep Warm™ Option can be set up to come on at the end of a cooking cycle. Activate Keep Warm while setting up the cooking cycle.

1. During setup of a cooking cycle, touch the TIMER NOT SET/COOK TIME screen.
2. Touch KEEP WARM WHEN DONE and toggle to ON.
The oven will automatically go into Keep Warm™ mode when the cook timer ends.
3. If you want to change the Keep Warm™ temperature during the Keep Warm™ cycle, touch the programmed temperature at the top of the screen. Adjust temperature and touch OK.
4. To change the mode, touch the programmed mode at the top of the screen. Select the new mode and touch OK.
5. Touch CANCEL (CANCEL LEFT or CANCEL RIGHT on 48" [121.9 cm] models) to turn off the oven.

Convect Bake

The convection element is located in the rear of the oven cavity, and assisted by the convection fans, provide balanced, efficient heating.

NOTE: The left oven cavity on 48" (121.9 cm) models has only one convection fan and no convection element.



A. Convection fans
B. Convection element
C. Bake burner

Convection baking can be used for baking cakes, uncovered casseroles, and frozen or convenience foods, as well as foods on multiple racks. If the oven is full, extra cooking time may be needed.

When cooking an oven meal with several different types of foods, be sure to select recipes that require similar temperatures. Cookware should sit in the oven with at least 1" (2.5 cm) of space between the cookware and the sides of the oven.

During convection baking preheat, the convection element and bake burner heat the oven cavity. After preheat, the convection element and bake burner and the fans will cycle on and off in intervals to maintain oven temperature.

If the oven door is opened during convection baking, the fans turn off immediately when the door is opened and turn on immediately when the door is closed. The convection element and bake burner will turn off approximately 30 seconds after the door is opened. They will turn on again approximately 30 seconds after the door is closed.

- Reduce recipe temperature 25°F (14°C). Check food at shortest recommended package or recipe time.
- Use cookie sheets with no sides to allow air to move freely around the food.

Before Using Convect Bake:

Before using Convect Bake, see the “Positioning Racks and Bakeware” section and the following tips for rack positions.

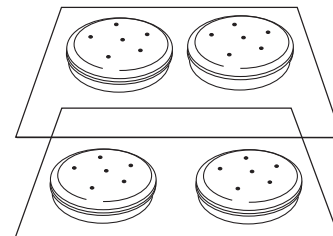
Rack positions

1-rack baking: 3

2-rack baking: 2 and 4 or 1 and 4

3-rack baking: 1, 3, and 5

For best results when baking cakes on 2 racks, use racks 2 and 4 for baking. Place the cakes on the racks as shown.



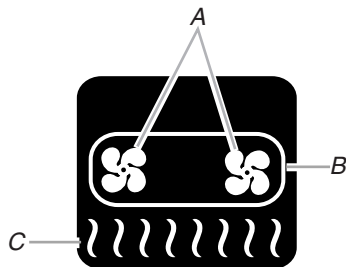
To Use Convect Bake:

1. Touch MODES to move to the Modes menu.
2. From the Modes menu, touch CONVECT BAKE.
3. Touch the Temperature tab to move to the Temperature screen.
Use the slider to enter a desired cooking temperature or press the -5°F (-1°C) or +5°F (+1°C) buttons. The temperature must be between 170°F (77°C) and 500°F (260°C).
4. Touch START to preheat oven.
OR
5. If a programmed cook time is desired, touch TIMER NOT SET to enter the Cook Timer screen. Enter a cooking length using the on-screen number keyboard to set a timer to alert when cooking ends. The cook time may not exceed 12:00:00. The oven will turn off when the cook time expires.
6. (Optional) To keep food warm after a programmed cook timer ends, press KEEP WARM ON from the Cook Timer screen. See the “Keep Warm™ Option” section for additional information.

- (Optional) To set a delayed start with a cook time, touch the **TIMER NOT SET/COOK TIMER** screen and enter desired cook time. Select **DELAY START**, set desired start time and touch **SET DELAY**. To set only a delay start, touch **DELAY START** from the temperature tab, set the desired time, and touch **SET DELAY**.
- Touch **START** to begin cooking or to activate Delay Start.
- To change a mode, temperature, or cook time while the oven is active, touch the appropriate tab. Make a new selection and touch **OK**.
- Press **CANCEL OVEN** (**CANCEL LEFT** or **CANCEL RIGHT** on 48" [121.9 cm] models) to turn off the oven.

Convect Pastry

Convect Pastry is best for 1, 2, or 3 rack baking of items such as cream puffs, turnovers, and croissants.



A. Convection fans
B. Convection element
C. Bake burner

Before Using Convect Pastry:

Before using Convect Pastry, see the "Positioning Racks and Bakeware" section and the following tips for rack positions.

- 1-rack baking: 3
- 2-rack baking: 2 and 4 or 1 and 4
- 3-rack baking: 1, 3, and 5

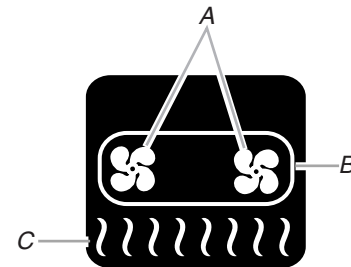
To Use Convect Pastry:

- Touch **MODES** tab to move to the Modes menu.
- From the Modes menu, touch **CONVECT PASTRY**.
- Touch the Temperature tab to move to the Temperature screen.
Use the slider to enter a desired cooking temperature or touch the **-5°F (-1°C)** or **+5°F (+1°C)** buttons. The temperature must be between 170°F (77°C) and 500°F (260°C).
- Touch **START** to begin preheating oven.
OR
- If a programmed cook time is desired, touch **TIMER NOT SET** to enter the Cook Timer screen. Enter a cooking length using the on-screen number keyboard to set a timer to alert when cooking ends. The cook time may not exceed 12:00:00. The oven will turn off when the cook time expires.
- (Optional) To keep food warm after a programmed cook timer ends, press **KEEP WARM ON** from the Cook Timer screen. See the "Keep Warm™ Option" section for additional information.
- (Optional) To set a delayed start with a cook time, touch the **TIMER NOT SET/COOK TIMER** screen and enter desired cook time. Select **DELAY START**, set desired start time and touch **SET DELAY**. To set only a delay start, touch **DELAY START** from the temperature tab, set the desired time, and touch **SET DELAY**.
- Touch **START** to begin cooking or to activate Delay Start.

- To change a mode, temperature, or cook time while the oven is active, touch the appropriate tab. Make a new selection and touch **OK**.
- Press **CANCEL OVEN** (**CANCEL LEFT** or **CANCEL RIGHT** on 48" [121.9 cm] models) to turn off the oven.

Convect Roast

Convect roast can be used for roasting meats, poultry and vegetables. During convect roast, the convection element and bake burner will cycle on and off in intervals to maintain oven temperature, while the fan constantly circulates the hot air. It is not necessary to reduce the temperature when using Convect Roast.



A. Convection fans
B. Convection element
C. Bake burner

If the oven door is opened during convection roasting, the fans turn off immediately and turn on immediately when the door is closed. The convection element and bake burner will turn off approximately 30 seconds after the door is opened. They will turn on again approximately 30 seconds after the door is closed.

- The cook time should be reduced 15-30%. It is not necessary to reduce the oven temperature.
- Use rack 1, 2 or 3.
- For best results, use a broiler pan, grid and roasting rack, designed to drain juices and help avoid spatter and smoke.

If you would like to purchase a Broiler Pan Kit, it may be ordered. See "Assistance or Service" section to order. Ask for Part Number W10123240.

To Use Convect Roast:

Before using convect roast, see the "Positioning Racks and Bakeware" section. It is not necessary to wait for the oven to preheat before putting food in, unless recommended in the recipe.

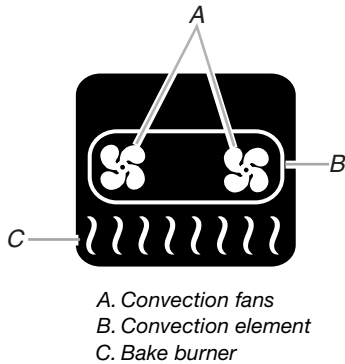
Use the roasting rack on top of the broiler pan and grid. This holds the food above the grid and allows air to circulate completely around all surfaces.

- Place food in oven if no preheat is recommended.
- Touch **MODES** to move to the Modes menu.
- From the Modes menu, touch **CONVECT ROAST**.
- Touch the Temperature tab to move to the Temperature screen.
Use the slider to enter a desired cooking temperature or press the **-5°F (-1°C)** or **+5°F (+1°C)** buttons. The temperature must be between 170°F (77°C) and 500°F (260°C).
- Touch **START** to begin cooking or preheating.
OR
- If a programmed cook time is desired, touch **TIMER NOT SET** to enter the Cook Timer screen. Enter a cooking length using the on-screen number keyboard to set a timer to alert when cooking ends. The cook time may not exceed 12:00:00. The oven will turn off when the cook time expires.

7. (Optional) To keep food warm after a programmed cook timer ends, press KEEP WARM ON from the Cook Timer screen. See the “Keep Warm™ Option” section for additional information.
8. (Optional) To set a delayed start with a cook time, touch the TIMER NOT SET/COOK TIMER screen and enter desired cook time. Select DELAY START, set desired start time and touch SET DELAY. To set only a delay start, touch DELAY START from the temperature tab, set the desired time and touch SET DELAY.
9. Touch START to begin cooking or to activate Delay Start.
10. To change a mode, temperature or cook time while the oven is active, touch the appropriate tab. Make a new selection and touch OK.
11. Press CANCEL OVEN (CANCEL LEFT or CANCEL RIGHT on 48" [121.9 cm] models) to turn off the oven.

Convect Slow Roast

Convect Slow Roast is best for food items such as beef, poultry and pork. This cycle cooks food at low temperatures for long periods of time. It is not necessary to reduce the temperature when using Convect Slow Roast. Food can be cooked up to 12 hours. Depending on the time chosen, there is a range of temperatures to select. See the following chart.



Cook Time	Default Temperature	Temperature Range
4 Hours	275°F (135°C)	250-300°F (120-150°C)
8 Hours	225°F (107°C)	200-250°F (93-120°C)
12 Hours	185°F (85°C)	170-225°F (77-107°C)

- Food should be completely thawed.
- Cover foods to keep food moist.
- Prior to slow roasting, meat can be pan seared or broiled on sides to enhance browning, flavor and tenderness.
- Use rack position 2 for best results.

To Use Convect Slow Roast:

Before using Convect Slow Roast, see “Positioning Racks and Bakeware” section.

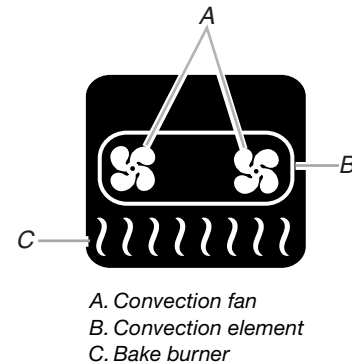
1. Place food in oven.
2. Touch MODES to move to the Modes menu.
3. From the Modes menu, touch CONVECT SLOW ROAST.
4. Touch the Temperature tab to move to the Temperature screen.

Use the slider to enter a desired cooking temperature or press the -5°F (-1°C) or +5°F (+1°C) buttons. The temperature can be between 170°F (77°C) and 300°F (150°C). The temperature range you select from is based on the selected cook time.

5. Touch START to begin cooking.
- OR**
6. If a programmed cook time is desired, touch TIMER NOT SET to enter the Cook Timer screen. Enter a cooking length using the on-screen number keyboard to set a timer to alert when cooking ends. The cook time may not exceed 12:00:00. The oven will turn off when the cook time expires.
 7. (Optional) To keep food warm after a programmed cook timer ends, press KEEP WARM ON from the Cook Timer screen. See the “Keep Warm™ Option” section for additional information.
 8. (Optional) To set a delayed start with a cook time, touch the TIMER NOT SET/COOK TIMER screen and enter desired cook time. Select DELAY START, set desired start time and touch SET DELAY. To set only a delay start, touch DELAY START from the temperature tab, set the desired time and touch SET DELAY.
 9. Touch START to begin cooking or to activate Delay Start.
 10. To change a mode, temperature or cook time while the oven is active, touch the appropriate tab. Make a new selection and touch OK.
 11. Press CANCEL OVEN (CANCEL LEFT or CANCEL RIGHT on 48" [121.9 cm] models) to turn off the oven.

Convect Frozen Pizza

Convect Frozen Pizza is used to bake thick or thin crust frozen pizzas. During Convect Frozen Pizza, the convection element and bake burner will cycle on and off in intervals to maintain oven temperature. The convection fans remain on continuously to circulate hot oven air around the pizza.



If the oven door is opened during Convect Frozen Pizza, the fans turn off immediately. They will turn back on immediately after the door is closed. The convection element and bake burner will turn off approximately 30 seconds after the door is closed.

- The bake temperature should be reduced 25°F (14°C) from the temperature recommended on the package.
- The bake time may be slightly less than stated on the package, depending on the pizza.
- A pizza stone may be used with the Convect Frozen Pizza mode.
- Use Convect Frozen Pizza with 1-rack baking.

To Use the Convect Frozen Pizza Mode:

Before using Convect Frozen Pizza, see the “Positioning Racks and Bakeware” section. Follow package directions, reducing the bake temperature 25°F (14°C). If there are no rack position recommendations, use rack 3.

Allow the oven to preheat completely before placing your pizza in the oven.

1. Touch **MODES** to move to the Modes menu.
2. From the Modes menu, touch **CVT FROZEN PIZZA**. (Touch the down arrow if necessary to view more available modes.)
3. Touch the **Temperature** tab to move to the Temperature screen.
Use the slider to enter a desired cooking temperature or press the -5°F (-1°C) or $+5^{\circ}\text{F}$ ($+1^{\circ}\text{C}$) buttons. The temperature must be between 170°F (77°C) and 550°F (288°C).
4. Touch **START** to preheat oven.
Place frozen pizza in oven when preheat signal sounds.

OR

5. If a cook time, **Keep Warm™** or **Delay Start** function is desired, touch **TIMER NOT SET** to enter the Cook Time screen or touch **DELAY START** from the temperature pad.
Enter a cooking length using the on-screen number keyboard to set a timer to alert when cooking ends. The cook time may not exceed 12:00:00. The oven will turn off when the cook time expires.

Auto Convection Conversion

Convection temperatures and/or times differ from those of standard cooking. The oven can automatically reduce the standard recipe temperature and/or time for convection cooking.

By selecting Auto Convection Conversion, you can select a category then enter a temperature and time according to the recipe or package instructions. The oven will convert the time and/or temperature you entered.

The conversion may not be exact because foods are grouped in general categories.

To Use Auto Convection Conversion:

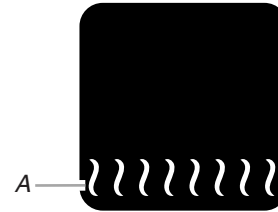
1. From the Home tab, Touch **AUTO CONVECTION CONVERSION**.
2. Select an Automatic Convection Recipe Conversion mode:

Convect Bake	Casseroles, cakes, baked goods, cookies
Convect Roast	Whole chicken/turkey, vegetables, pork/beef roasts
Convect Pastry	Frozen pie, turnovers, cream puffs, puff pastry
Manual	View all manual modes to skip the recipe update process
3. Enter standard cooking temperature. Use the slider to enter a desired cooking temperature or touch the buttons -5°F (-1°C) or $+5^{\circ}\text{F}$ ($+1^{\circ}\text{C}$).
4. Touch **SET TIMER**.
5. If **Set Timer** is chosen, enter standard cooking time using the on-screen number keyboard.
6. Touch **NEXT** or **SKIP TIMER**.
7. Touch **ON** or **OFF** on **Reminder** button. It reminds you to check food when 20% of the timer remains.
8. If **Skip Timer** is chosen, you will review your converted settings and be able to set **Reminder** and **Delay Start**.
9. The **Cook Timer** value will show "Not Set."
10. Touch **START** to begin preheating oven or **DELAY START** to use the converted setting when the delay time expires. See "Delay Start" section for additional information.
11. Place food in oven when preheat signal sounds. Screen will also prompt you when to insert food.

12. When the cook timer ends, you can start the **Keep Warm™** cycle if not preset, **Add More Time** or **Cancel** the timer.
13. Touch **CANCEL** (**CANCEL LEFT** or **CANCEL RIGHT** on 48" [121.9 cm] models) to turn off the oven.

Proof

The Proof cycle prepares dough for baking by activating the yeast. Follow recipe or package for number of times to proof dough.



A. Bake burner

To Use Proof:

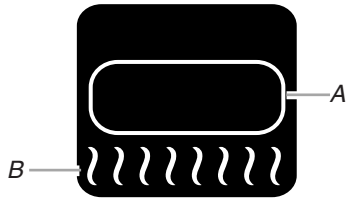
Before first proofing, place dough in a lightly greased bowl. Place bowl on rack position 3. See "Positioning Racks and Bakeware" section for tips.

1. Place food in oven and close the door.
 2. Touch **MODES** to move to the Modes menu.
 3. From the Modes menu, touch **PROOF**.
 4. After touching **Proof**, you will see the **Temperature** screen. The temperature is set at 100°F (38°C) and cannot be changed.
 5. Press **START** to begin proofing.
- OR**
6. If a programmed cook time is desired, touch **TIMER NOT SET** to enter the **Cook Timer** screen. Enter a cooking length using the on-screen number keyboard to set a timer to alert when cooking ends. The cook time may not exceed 12:00:00. The oven will turn off when the cook time expires.
 7. (Optional) To keep food warm after a programmed cook timer ends, press **KEEP WARM ON** from the **Cook Timer** screen. See the "Keep Warm™ Option" section for additional information.
 8. (Optional) To set a delayed start with a cook time, touch the **TIMER NOT SET/COOK TIMER** screen and enter desired cook time. Select **DELAY START**, set the desired start time and touch **SET DELAY**. To set only a delay start, touch **DELAY START** from the temperature tab, set the desired time and touch **SET DELAY**.
 9. Touch **START** to begin cooking or to activate **Delay Start**.
 10. To change a mode, temperature or cook time while the oven is active, touch the appropriate tab. Make a new selection and touch **OK**.
 11. Press **CANCEL OVEN** (**CANCEL RIGHT** or **CANCEL LEFT** on double oven models) to turn off the oven.

Before second proofing, shape dough, place in baking pan(s) and cover loosely and coat with cooking spray. Follow same placement, and control steps above. Before baking, remove cover.

Rapid Proof

Rapid Proof is used to proof frozen or formed dough. The Rapid Proof mode requires the oven be preheated.



A. Convection element
B. Bake burner

To Use Rapid Proof:

1. From Mode, touch RAPID PROOF.
2. After touching RAPID PROOF, you will see the temperature screen. The temperature is set at 200° (93°C) and cannot be changed.
3. Press START to begin Rapid Proof.
4. When the cycle is complete, touch CANCEL (CANCEL LEFT or CANCEL RIGHT on 48" [121.9 cm] models) to turn off the oven.

Cook Timer

The Cook Timer allows the oven to cook for a programmed length of time. The Cook Timer can be accessed by touching COOK TIMER or TIMER NOT SET whenever available.

The Cook Timer countdown is started several ways:

- Touching START TIMER starts the countdown immediately.
- Opening then closing the door before preheat is complete starts the timer as soon as preheat is complete.
- Opening then closing the door when preheat is complete starts the countdown immediately.
- Cook timer countdown will automatically start 2 minutes after the preheat signal if none of the above activities have occurred.

The control will signal when 20% of the cook time remains.

To Use Cook Timer:

1. Touch COOK TIMER from the Home screen or touch TIMER NOT SET whenever available.
2. Select the Cook Timer or Timer Not Set tab.
3. Select desired cook time by using the on-screen number keyboard. The time length may not exceed 12:00:00.
4. Touch START to begin preheating oven.
5. (Optional) To keep food warm after cooking ends, turn Keep Warm ON. See the "Keep Warm™ Option" section for additional information.
6. (Optional) To set delayed start, touch DELAY START and set desired time. See "Delay Start" section for additional information.

7. Place food in the oven when preheat signal sounds. The screen will also prompt you when to insert food. If a delay start is programmed, place food in oven when setting the mode.

⚠ WARNING

Food Poisoning Hazard

Do not let food sit in oven more than one hour before or after cooking.

Doing so can result in food poisoning or sickness.

NOTE: Do not use Delay Start for items that require a preheated oven, such as cakes, cookies and breads. If food is in the oven during preheat, it may become overcooked.

8. When the Cook Timer ends, if additional cook time is desired, select ADD MORE TIME. Time can be added by selecting Reset, which will reset the previously set time, or by selecting ADD 1 MIN, ADD 5 MIN or ADD 15 MIN. Selecting ADD 1 MIN, ADD 5 MIN or ADD 15 MIN allows you to set time in 1-, 5- or 15-minute increments. If Keep Warm™ function is desired and was not previously set, select Keep Warm when Cook Timer expires.

Temperature Probe

⚠ WARNING



Burn Hazard

Use an oven mitt to remove temperature probe.

Do not touch broil element.

Failure to follow these instructions can result in burns.

NOTE: The temperature probe is not available in the left oven cavity on 48" (121.9 cm) models.

The temperature probe accurately measures the internal temperature of meat, poultry and casseroles and should be used in determining the doneness of food. It can be used during Bake, Convection Bake, Convection Roast. The oven will beep when the food has reached the target temperature.

Always unplug and remove the temperature probe from the oven when removing food.

To Use Temperature Probe:

Before using, insert the probe into the food item. For meats, the probe tip should be located in the center of the thickest part of the meat and not into the fat or touching a bone.

NOTE: Remove any racks above the food that are not in use.

Place food in oven and connect the temperature probe to the jack. Keep probe as far away from heat source as possible. Close oven door.

1. From the Home tab, touch the PROBE button.
2. Depending on whether or not the probe is inserted, the display will read: "Probe: Not Inserted" or "Probe: Inserted."

NOTE: Insert food and probe before heating the oven.

3. Touch CONVECT BAKE, CONVECT ROAST or BAKE. Selecting these buttons will take you to the Probe Temperature tab, with the method already selected automatically as well as an appropriate default temperature.
4. Use the buttons -5°F (-1°C) or +5°F (+1°C) to adjust the Probe Temperature. The default temperature is 160°F (71°C). The temperature must be between 130°F (54°C) and 185°F (85°C).
5. To change the oven temperature, touch the TEMPERATURE tab to move to the Temperature screen. Use the slider to enter a desired cooking temperature or touch the -5°F (-1°C) or +5°F (+1°C) buttons. The temperature must be between 170°F (77°C) and 500°F (260°C).
6. To set a delayed start, touch Delay Start and set desired time. See "Delay Start" section for additional information.
7. To remove probe temperature, but keep current mode and cavity temperature, touch CANCEL PROBE button.
8. Touch START to begin cooking with the probe.

Delay Start

! WARNING

Food Poisoning Hazard

Do not let food sit in oven more than one hour before or after cooking.

Doing so can result in food poisoning or sickness.

Delay Start allows the oven(s) to be set to turn on at a certain time of day and cook for a set length of time.

Delay Start should not be used for food such as breads and cakes because they may not bake properly.

Delay Start is available with any cycle that has a Delay Start button.

To Set a Delay Start:

1. From any mode with the Delay Start button available, press DELAY START.
2. Set time of day you would like the oven to start heating by using the slider to enter a desired time or press the "-15min" or "+15min" buttons. These buttons decrease or increase the selected time and also move the slider.
3. Press SET DELAY.

Delay with Cook Timer:

1. If Delay with Cook Timer is desired, select Timer Not Set or Cook Timer.
2. Program desired cook time, then touch DELAY START. The difference between the start and end time should equal the cook time.
3. (Optional) Select KEEP WARM ON to keep food warm after cooking if desired.
4. Use the slider to enter a desired begin and end time or press the "-15min" or "+15min" buttons. These buttons decrease or increase the selected begin/end time and also move the slider.
5. Press SET DELAY.

Delay with Probe:

! WARNING



Burn Hazard

Use an oven mitt to remove temperature probe.

Do not touch broil element.

Failure to follow these instructions can result in burns.

1. If Delay is chosen when the probe is in use, select Delay Start when at the Probe Temp screen, then select when cooking should begin. Because the probe controls the end time, the end time will not be displayed.
2. Use the slider to enter a desired begin time or press the "-15min" or "+15min" buttons. These buttons decrease or increase the selected begin and also move the slider.
3. The oven will automatically keep the food warm when the probe reaches the target temperature.
4. Press SET DELAY.

Delay for Clean

1. If Delay for Clean is desired, select Delay Start after selecting the Cleaning level. Select when cleaning should begin. The oven will calculate the end time based on your cleaning level choice.
2. Use the slider to enter a desired begin and end time or press the "-15min" or "+15min" buttons. These buttons decrease or increase the selected begin/end time and also move the slider.
3. The oven will cool for an additional hour after cleaning is completed.
4. Press SET DELAY.

RANGE CARE

Self-Cleaning Cycle

! WARNING



Burn Hazard

Do not touch the oven during the Self-Cleaning cycle.

Keep children away from oven during Self-Cleaning cycle.

Failure to follow these instructions can result in burns.

IMPORTANT: The health of some birds is extremely sensitive to the fumes given off during the Self-Cleaning cycle. Exposure to the fumes may result in death to certain birds. Always move birds to another closed and well-ventilated room.

Self-clean the oven before it becomes heavily soiled. Heavy soil results in longer cleaning and more smoke.

Keep the kitchen well-ventilated during the Self-Cleaning cycle to help get rid of heat, odors, and smoke.

Do not block the oven vent(s) during the Self-Cleaning cycle. Air must be able to move freely. Depending on your model, see "Oven Vent" or "Oven Vents" section.

Do not clean, rub, damage or move the oven door gasket. The door gasket is essential for a good seal.

Prepare Oven:

- Remove the broiler pan, grid, cookware and bakeware and, on some models, the temperature probe from the oven.
- Remove oven racks to keep them shiny and easy to slide. See "General Cleaning" section for more information.
- Remove any foil from the oven because it may burn or melt, damaging the oven.
- Hand clean inside door edge and the 1½" (3.8 cm) area around the inside oven cavity frame, being certain not to move or bend the gasket. This area does not get hot enough during self-cleaning to remove soil. Do not let water, cleaner, etc., enter slots on door frame. Use a damp cloth to clean this area.
- Wipe out any loose soil to reduce smoke and avoid damage. At high temperatures, foods react with porcelain. Staining, etching, pitting or faint white spots can result. This will not affect cooking performance.

How the Cycle Works

IMPORTANT: The heating and cooling of porcelain on steel in the oven may result in discoloring, loss of gloss, hairline cracks and popping sounds.

The Self-Cleaning cycle uses very high temperatures, burning soil to a powdery ash.

The oven is preset for a 4 hour clean cycle; however the time can be changed. Suggested clean times are 3 hours 30 minutes for light soil and between 4 hours and 4 hours 30 minutes for average to heavy soil.

Use the following chart as a guide to determine the desired cleaning level.

CLEANING LEVEL	TOTAL CLEANING TIME (includes a 30 minute cool down time)
Light	3 hours 30 minutes
Medium	4 hours
Heavy	4 hours 30 minutes

Once the oven has completely cooled, remove ash with a damp cloth. If soil remains after wiping, that means the length of the clean cycle was not long enough for the amount of soil in the oven. Repeat the self-clean cycle if desired, or the soil will be removed during the next clean cycle. To avoid breaking the glass, do not apply a cool damp cloth to the inner door glass before it has completely cooled.

The oven lights will not work during the Self-Cleaning cycle.

On 48" (121.9 cm) ranges, only one oven can self-clean at a time. If one oven is self-cleaning, the other oven cannot be set or turned on.

NOTE: The oven has a 2 speed cooling fan motor. During self-cleaning the fan(s) will operate at its highest speed to increase airflow to better exhaust the hotter air through the oven vent(s). An increase of noise may be noticeable during and after the self-cleaning cycle until the oven cools.

To Self-Clean:

1. From the Modes or Setup menus, touch the SELF-CLEAN button.
2. If accessing Self Clean by using the Setup Menu on 48" (121.9 cm) ranges, select the oven you want to clean: Left or Right, then touch NEXT.
3. Two messages appear on the screen:
 - Remove all oven racks and pans from the oven. Racks could discolor and not slide easily after a Self Clean cycle.
 - Clean oven frame and door frame with a nonabrasive cleaning agent because they are not exposed to cleaning temperatures. Do not clean gasket.
4. Touch NEXT.
5. Select the cleaning level by pressing the buttons: Light (3½ hours), Medium (4 hours) or Heavy (4½ hours).

NOTE: The oven will cool for an additional hour after cleaning is completed.
6. To set a delayed start, touch DELAY START. See "Delay Start" section for additional information.
7. Touch START. The door(s) will lock.

To Stop Self-Clean anytime:

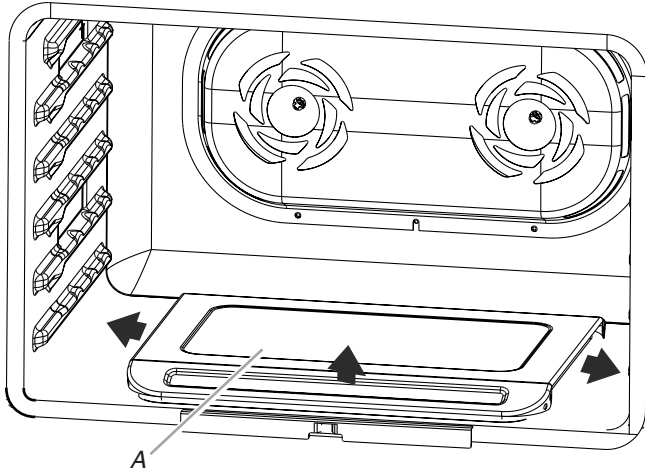
Touch CANCEL OVEN (CANCEL LEFT or CANCEL RIGHT on 48" [121.9 cm] oven models). If the oven temperature is too high, the door will remain locked. It will not unlock until the oven cools.

Bake Burner Covers

When cleaning a spill that has fallen through the bake burner cover, remove and reinstall the cover according to the following instructions.

To Remove Oven Bake Burner Cover (30" [76.2 cm] and 36" [91.4 cm] models and the Right Oven Cavity on 48" [121.9 cm] models)

1. Remove oven racks and the extendable roller rack from inside the oven cavity. See the "Extendable Roller Rack" section in the Use and Care Guide.
2. Remove the oven door. See the "Oven Door" section in the Use and Care Guide.
3. Slide the bake burner cover to the right or left.

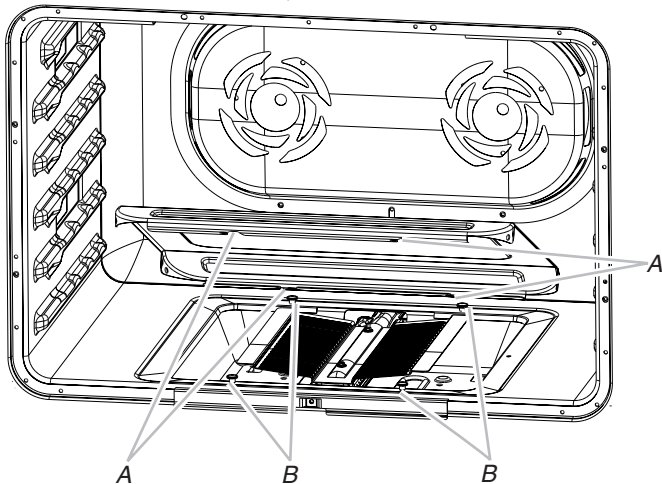


A. Bake burner cover

4. Lift up and remove oven bake burner cover and set it aside.

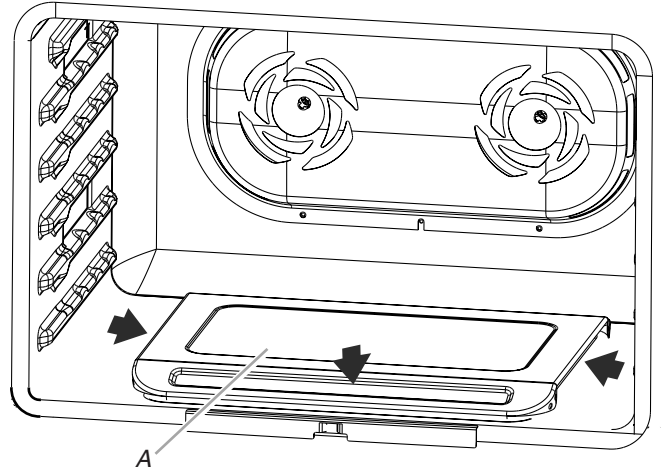
Replace Oven Bake Burner Cover

1. Align notches on the oven bake burner cover with shoulder screws in the bottom of the oven.



A. Cover notches (4)
B. Shoulder screws (4)

2. Lower cover and slide to left or right to slide shoulder screws into the narrow ends of the notches and lock in place.

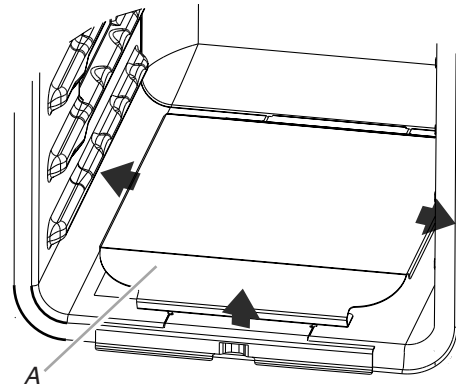


A. Bake burner cover

3. Replace the oven door. See "Oven Door" in the "Range Care" Section.

To Remove Oven Bake Burner Cover (Left Oven Cavity on 48" [121.9 cm] models)

1. Remove oven racks.
2. Remove the oven door. See the "Oven Door" section in the Use and Care Guide.
3. Slide the bake burner cover to the right or left.

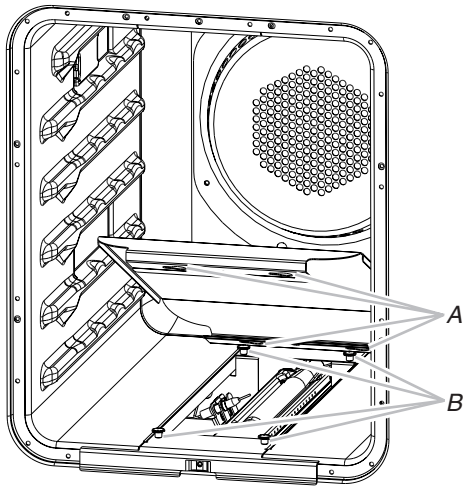


A. Bake burner cover

4. Lift up and remove oven bake burner cover and set aside.

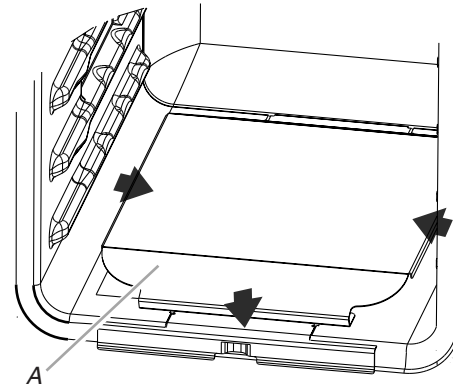
Replace Oven Bake Burner Cover

1. Align rear shoulder screw mounting holes (keyholes) on the oven bake burner cover with shoulder screws in the bottom of the oven.



A. Rear shoulder screw mounting holes (keyholes)
B. Shoulder screws

2. Drop cover and slide to left or right to slide shoulder screws into narrow ends of keyholes and lock in place.



A. Bake burner cover

3. Replace the oven door. See “Oven Door” in the “Range Care” Section.

General Cleaning

IMPORTANT: Before cleaning, make sure all controls are off and the oven is cool. Always follow label instructions on cleaning products.

Soap, water and a soft cloth or sponge are suggested first unless otherwise noted.

STAINLESS STEEL (on some models)

Do not use soap-filled scouring pads, abrasive cleaners, Cooktop Polishing Creme, steel-wool pads, gritty washcloths or abrasive paper towels. Damage may occur, even with one-time or limited use.

Rub in direction of grain to avoid damaging.

Cleaning Method:

- Stainless Steel Cleaner and Polish Part Number 31462 (not included):
- Liquid detergent or all-purpose cleaner:

Rinse with clean water and dry with soft, lint-free cloth.

PORCELAIN-COATED GRATES AND CAPS

Food spills containing acids, such as vinegar and tomato, should be cleaned as soon as the cooktop, grates and caps are cool. These spills may affect the finish.

To avoid chipping, do not bang grates and caps against each other or hard surfaces such as cast iron cookware.

Do not reassemble caps on burners while wet.

Do not clean in the Self-Cleaning cycle.

Do not clean in dishwasher.

Cleaning Method:

- Nonabrasive nylon scrub pad and mildly abrasive cleanser:
Clean as soon as cooktop, grates and caps are cool.

SURFACE BURNERS

Sealed Burner models

See “Sealed Surface Burners” section.

COOKTOP CONTROLS

To avoid damage to the cooktop controls, do not use steel wool, abrasive cleansers or oven cleaner.

To avoid damage, do not soak knobs.

When replacing knobs, make sure knobs are in the Off position.

Do not remove seals under knobs.

NOTE: When replacing knobs after cleaning either the surface burner controls or the griddle module control, make sure the knobs are replaced to the correct location. The 20,000 Btu/h burner knobs have power settings and the griddle knob has temperature settings. All other knobs have Hi, Med, Lo settings only.

Cleaning Method:

- Warm, soapy water:
Pull knobs straight away from control panel to remove.

OVEN DOOR EXTERIOR

Cleaning Method:

- Glass cleaner and a soft cloth or sponge:
Apply glass cleaner to soft cloth or sponge, not directly on panel.
- All-Purpose Appliance Cleaner Part Number 31682 (not included):
See “Assistance or Service” section to order.

OVEN DOOR INTERIOR

Cleaning Method:

- Self-Cleaning cycle:
For optimal door cleaning result, wipe away any deposits with a damp sponge before running cycle.

CONTROL PANEL

Activate the Control Lock to avoid touch screen activation during cleaning. See “Control Lock” section.

To avoid damage to the control panel, do not use abrasive cleaners, steel-wool pads, gritty washcloths or abrasive paper towels.

Cleaning Method:

- Glass cleaner and soft cloth or sponge:
Apply glass cleaner to soft cloth or sponge, not directly on panel.
- All-Purpose Appliance Cleaner Part Number 31682 (not included):
See “Assistance or Service” section to order.

OVEN CAVITY

Do not use oven cleaners.

Food spills should be cleaned when oven cools. At high temperatures, foods react with porcelain and staining, etching, pitting or faint white spots can result.

Cleaning Method:

- Self-Cleaning cycle: See “Self-Cleaning Cycle” first.

OVEN RACKS

Cleaning Method:

- Self-Cleaning cycle:
See “Self-Cleaning Cycle” first. Remove racks or they will discolor and become harder to slide. If this happens, a light coating of vegetable oil applied to the rack guides will help them slide.
- Steel-wool pad

GRIDDLE MODULE

Clean the griddle shortly after removing food and the griddle has cooled down.

Cleaning Method:

- Hot, soapy water and/or nylon scrub pad
- After cleaning dry surface with a paper towel

Drip Tray and Area Under Tray

Allow cooktop to cool completely before cleaning.

Cleaning Method:

- Warm, soapy water or nonabrasive cleanser.
- Damp cloth or nonabrasive pad.
- Dry completely before placing drip tray in position.

Oven Lights

The oven lights are 120-volt, 25-watt maximum halogen bulbs. They will come on when the oven door is opened.

On 48" (121.9 cm) ranges, both the left and right oven lights turn on or off when OVEN LIGHT is pressed. The oven lights will not work during the Self-Cleaning cycle. When the oven door is closed, touch OVEN LIGHT to turn light on or off.

To Replace:

Before replacing the bulb, make sure the oven is off and cool.

1. Disconnect power.
2. Remove glass light cover by grasping the front edge and pulling away from oven.



3. Remove bulb from socket.
4. Replace bulb, using tissue or wearing cotton gloves to handle bulb. To avoid damage or decreasing the life of the new bulb, do not touch bulb with bare fingers.
5. Replace bulb cover by snapping back into wall.
6. Reconnect power.

Oven Door

⚠ WARNING

Excessive Weight Hazard

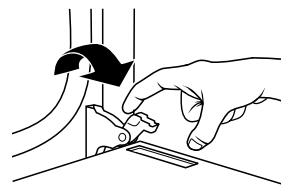
Use two or more people to move and install oven doors.

Failure to do so can result in back or other injury.

For normal range use, it is not suggested to remove the oven door. However, if removal is necessary, make sure the oven is off and cool. Then, follow these instructions. The oven door is heavy.

To Remove:

1. Open oven door all the way.
2. Flip up the hinge latch on each side.



3. Close the oven door as far as it will shut.

- Using 2 or more people, lift the oven door while holding both sides.

Continue to push the oven door closed and pull it away from the oven door frame.



To Replace:

- Using 2 or more people, lift the oven door and insert both hanger arms into the door.



- Open the oven door.
You should hear a “click” as the door is set into place.
- Move the hinge levers back to the locked position. Check that the door is free to open and close. If it is not, repeat the removal and installation procedures.

TROUBLESHOOTING

Try the solutions suggested here first in order to avoid the cost of an unnecessary service call.

Nothing will operate

- **Has a household fuse blown, or has a circuit breaker tripped?**
Replace the fuse or reset the circuit breaker. If the problem continues, call an electrician.

Surface burners will not operate

- **Is this the first time the surface burners have been used?**
Turn on any one of the surface burner knobs to release air from the gas lines.
- **Is the control knob set correctly?**
Push in knob before turning to a setting.
- **Are the burner ports clogged?**
On sealed burner models, see “Sealed Surface Burners” section.

Surface burner flames are uneven, yellow and/or noisy

- **Are the burner ports clogged?**
On sealed burner models, see “Sealed Surface Burners” section.
- **On models with caps, are the burner caps positioned properly?**
See “Sealed Surface Burners” section.
- **Is propane gas being used?**
The range may have been converted improperly. Contact a trained repair specialist.

Surface burner makes popping noises

- **Is the burner wet?**
Let it dry.

Burner sparks but does not light

- **Is there continuous sparking, but the burner does not light?**
Discontinue use of the surface burner and contact a service technician.

Excessive heat around cookware on cooktop

- **Is the cookware the proper size?**
Use cookware about the same size as the surface cooking area, element or surface burner. Cookware should not extend more than ½" (1.3 cm) outside the cooking area.

Cooktop cooking results not what expected

- **Is the proper cookware being used?**
See “Cookware” section.
- **Is the control knob set to the proper heat level?**
See “Cooktop Controls” section.
- **Is the range level?**
The range must be level for the griddle to operate properly. See the Installation Instructions for leveling instructions.

Oven will not operate

- **Is this the first time the oven has been used?**
Turn on any one of the surface burner knobs to release air from the gas lines.
- **Is the electronic oven control set correctly?**
See “Interactive Touch Display” section.
- **Has a delay start been set?**
See “Timed Cooking” section.
- **On some models, is the Control Lock set?**
See “Control Lock” section.
- **On some models, is the Sabbath Mode set?**
See “Sabbath Mode” section.

Oven temperature too high or too low

- **Does the oven temperature calibration need adjustment?**
See “Temperature Calibration” in the “Setup Menu” section.

Cooling fan runs during baking, broiling or cleaning

- It is normal for the fan to automatically run while the oven is in use or for some time after the oven is shut off to cool the electronic control.

Gas range noises during Bake and Broil operations

Noises that may be heard during the Bake and Broil operations:
Whooshing, Poof, Clicking, Snaps, Pop

These sounds are normal operational noises that can be heard each time the Bake or Broil burners ignite during the cycle.

- A pop can be heard when the gas valve is opening or cycling on and will make a single pop when it snaps open from the solenoid. It sounds similar to a suction cup being pulled off of a piece of glass.
- The igniters will click several times until the flame is detected. These are short clicking sounds like tapping a nail onto a piece of glass.
- A whooshing or poof sound is heard when the Bake or Broil burner ignites.
- On some models, a clicking sound can be heard when the convection fan relay cycles on and off.

Display shows messages

- **Is the display showing a letter followed by a number?**
Clear the display. See “Display(s)” section. If a letter followed by a number reappears, call for service. See “Assistance or Service” section.

Self-Cleaning cycle will not operate

- **Is the oven door open?**
Close the oven door all the way.
- **Has the function been entered?**
See “Self-Cleaning Cycle” section.
- **On some models, has a delay start Self-Clean cycle been set?**
See “Self-Cleaning Cycle” section.
- **Has a delay start been set?**
See “Timed/Delay Cooking” section.
- **On 48" (121.9 cm) ranges, is one oven self-cleaning?**
When one oven is self-cleaning, the other oven cannot be set to self-clean.

Oven cooking results not what expected

- **Is the proper temperature set?**
Double-check the recipe in a reliable cookbook.
- **Is the proper oven temperature calibration set?**
See “Temperature Calibration” in the “Setup Menu” section.
- **Was the oven preheated?**
See “Baking and Roasting” section.
- **Is the proper bakeware being used?**
See “Bakeware” section.
- **Are the racks positioned properly?**
See “Positioning Racks and Bakeware” section.
- **Is there proper air circulation around bakeware?**
See “Positioning Racks and Bakeware” section.
- **Is the batter evenly distributed in the pan?**
Check that batter is level in the pan.
- **Is the proper length of time being used?**
Adjust cooking time.
- **Has the oven door been opened while cooking?**
Oven peeking releases oven heat and can result in longer cooking times.
- **Are baked items too brown on the bottom?**
Move rack to higher position in the oven.
- **Are pie crust edges browning early?**
Use aluminum foil to cover the edge of the crust and/or reduce baking temperature.

ASSISTANCE OR SERVICE

Before calling for assistance or service, please check "Troubleshooting." It may save you the cost of a service call. If you still need help, follow the instructions below.

When calling, please know the purchase date and the complete model and serial number of your appliance. This information will help us to better respond to your request.

If you need replacement parts

If you need to order replacement parts, we recommend that you use only factory specified parts. These factory specified parts will fit right and work right because they are made with the same precision used to build every new JENN-AIR® appliance.

To locate factory specified parts in your area, call us or your nearest JENN-AIR designated service center.

In the U.S.A.

Call the Jenn-Air Customer eXperience Center toll free:
1-800-JENNAIR (1-800-536-6247)

Our consultants provide assistance with:

- Features and specification on our full line of appliances.
- Installation information.
- Use and maintenance procedures.
- Repair parts sales.
- Specialized customer assistance (Spanish speaking, hearing impaired, limited vision, etc.).
- Referrals to local dealers, repair parts distributors and service companies. Jenn-Air designated service technicians are trained to fulfill the product warranty and provide after-warranty service, anywhere in the United States.

To locate the Jenn-Air designated service company in your area, you can also look in your telephone directory Yellow Pages.

For further assistance:

If you need further assistance, you can write to Jenn-Air with any questions or concerns at:

Jenn-Air Brand Home Appliances
Customer eXperience Center
553 Benson Road
Benton Harbor, MI 49022-2692

Web address: www.jennair.com

Please include a daytime phone number in your correspondence.

Accessories

Stainless Steel Cleaner and Polish

(stainless steel models)

Order Part Number 31462

All-Purpose Appliance Cleaner

Order Part Number 31682

Backsplash with Dual-Position Shelf for 30" (76.2 cm) Ranges

Order Part Number W10285447

Backsplash with Dual-Position Shelf for 36" (91.4 cm) Ranges

Order Part Number W10285448

Backsplash with Dual-Position Shelf for 48" (121.9 cm) Ranges

Order Part Number W10285449

Adjustable Backsplash for 30" (76.2 cm) Ranges

Order Part Number 8285148

Adjustable Backsplash for 36" (91.4 cm) Ranges

Order Part Number 8284756

Adjustable Backsplash for 48" (121.9 cm) Ranges

Order Part Number 8284755

33½" (85.1 cm) Stainless Steel Wallsplash for 30" (76.2 cm) Ranges

Order Part Number JXA9003CDP

33½" (85.1 cm) Stainless Steel Wallsplash for 36" (91.4 cm) Ranges

Order Part Number JXA9002CDP

33½" (85.1 cm) Stainless Steel Wallsplash for 48" (121.9 cm) Ranges

Order Part Number JXA9001CDP

Stainless Steel Griddle Cover

Order Part Number W10160195

High-Altitude Kit for LP Gas

Order Part Number W10324363

High-Altitude Kit for Natural Gas

Order Part Number W10324365

Wok Ring

Order Part Number W10216179

Broiler Pan Kit

Order Part Number W10123240

Extendable Roller Rack with Handle for 30" (76.2 cm) Ranges

Order Part Number W10208155

Extendable Roller Rack with Handle for 36" (91.4 cm) Ranges

Order Part Number W10212435

In Canada

Call the Jenn-Air Customer eXperience Centre toll free:
1-800-807-6777

Our consultants provide assistance with:

- Use and maintenance procedures.
- Repair parts sales.
- Referrals to local dealers, repair parts distributors and service companies. Jenn-Air designated service technicians are trained to fulfill the product warranty and provide after-warranty service, anywhere in Canada.

For further assistance:

If you need further assistance, you can write to:

Jenn-Air Brand Home Appliances
Customer eXperience Centre
200 - 6750 Century Ave.
Mississauga, Ontario L5N 0B7

Web address: www.jennair.ca

Please include a daytime phone number in your correspondence.

JENN-AIR® COOKING APPLIANCE WARRANTY

LIMITED WARRANTY

For one year from the date of purchase, when this major appliance is operated and maintained according to instructions attached to or furnished with the product, Jenn-Air brand of Whirlpool Corporation or Whirlpool Canada LP (hereafter "Jenn-Air") will pay for factory specified parts and repair labor to correct defects in materials or workmanship. Service must be provided by a Jenn-Air designated service company. This limited warranty is valid only in the United States or Canada and applies only when the major appliance is used in the country in which it was purchased. Outside the 50 United States and Canada, this limited warranty does not apply. Proof of original purchase date is required to obtain service under this limited warranty.

SECOND THROUGH FIFTH YEAR LIMITED WARRANTY ON CERTAIN COMPONENT PARTS

In the second through fifth years from the date of purchase, when this appliance is operated and maintained according to instructions attached to or furnished with the product, Jenn-Air will pay for factory specified parts for the following components (if applicable to the product) if defective in materials or workmanship:

- Electric element
- Touch Pad and microprocessor
- Glass ceramic cooktop: if due to thermal breakage
- Electronic controls
- Magnetron tube
- Sealed gas burners

ITEMS EXCLUDED FROM WARRANTY

This limited warranty does not cover:

1. Service calls to correct the installation of your major appliance, to instruct you on how to use your major appliance, to replace or repair house fuses, or to correct house wiring or plumbing.
2. Service calls to repair or replace appliance light bulbs, air filters or water filters. Consumable parts are excluded from warranty coverage.
3. Repairs when your major appliance is used for other than normal, single-family household use or when it is used in a manner that is contrary to published user or operator instructions and/or installation instructions.
4. Damage resulting from accident, alteration, misuse, abuse, fire, flood, acts of God, improper installation, installation not in accordance with electrical or plumbing codes, or use of consumables or cleaning products not approved by Jenn-Air.
5. Cosmetic damage, including scratches, dents, chips or other damage to the finish of your major appliance, unless such damage results from defects in materials or workmanship and is reported to Jenn-Air within 30 days from the date of purchase.
6. Any food loss due to refrigerator or freezer product failures.
7. Costs associated with the removal from your home of your major appliance for repairs. This major appliance is designed to be repaired in the home and only in-home service is covered by this warranty.
8. Repairs to parts or systems resulting from unauthorized modifications made to the appliance.
9. Expenses for travel and transportation for product service if your major appliance is located in a remote area where service by an authorized Jenn-Air servicer is not available.
10. The removal and reinstallation of your major appliance if it is installed in an inaccessible location or is not installed in accordance with published installation instructions.
11. Major appliances with original model/serial numbers that have been removed, altered or cannot be easily determined. This warranty is void if the factory applied serial number has been altered or removed from your major appliance.

The cost of repair or replacement under these excluded circumstances shall be borne by the customer.

DISCLAIMER OF IMPLIED WARRANTIES; LIMITATION OF REMEDIES

CUSTOMER'S SOLE AND EXCLUSIVE REMEDY UNDER THIS LIMITED WARRANTY SHALL BE PRODUCT REPAIR AS PROVIDED HEREIN. IMPLIED WARRANTIES, INCLUDING WARRANTIES OF MERCHANTABILITY OR FITNESS FOR A PARTICULAR PURPOSE, ARE LIMITED TO ONE YEAR OR THE SHORTEST PERIOD ALLOWED BY LAW. JENN-AIR SHALL NOT BE LIABLE FOR INCIDENTAL OR CONSEQUENTIAL DAMAGES. SOME STATES AND PROVINCES DO NOT ALLOW THE EXCLUSION OR LIMITATION OF INCIDENTAL OR CONSEQUENTIAL DAMAGES, OR LIMITATIONS ON THE DURATION OF IMPLIED WARRANTIES OF MERCHANTABILITY OR FITNESS, SO THESE EXCLUSIONS OR LIMITATIONS MAY NOT APPLY TO YOU. THIS WARRANTY GIVES YOU SPECIFIC LEGAL RIGHTS, AND YOU MAY ALSO HAVE OTHER RIGHTS WHICH VARY FROM STATE TO STATE OR PROVINCE TO PROVINCE.

If outside the 50 United States and Canada, contact your authorized Jenn-Air dealer to determine if another warranty applies.

If you need service, first see the "Troubleshooting" section of the Use & Care Guide. After checking "Troubleshooting," you may find additional help by checking the "Assistance or Service" section or by calling Jenn-Air. In the U.S.A., call **1-800-536-6247**. In Canada, call **1-800-807-6777**.

6/09

Keep this book and your sales slip together for future reference. You must provide proof of purchase or installation date for in-warranty service.

Write down the following information about your major appliance to better help you obtain assistance or service if you ever need it. You will need to know your complete model number and serial number. You can find this information on the model and serial number label located on the product.

Dealer name _____

Address _____

Phone number _____

Model number _____

Serial number _____

Purchase date _____

SÉCURITÉ DE LA CUISINIÈRE

Votre sécurité et celle des autres est très importante.

Nous donnons de nombreux messages de sécurité importants dans ce manuel et sur votre appareil ménager. Assurez-vous de toujours lire tous les messages de sécurité et de vous y conformer.



Voici le symbole d'alerte de sécurité.

Ce symbole d'alerte de sécurité vous signale les dangers potentiels de décès et de blessures graves à vous et à d'autres.

Tous les messages de sécurité suivront le symbole d'alerte de sécurité et le mot "DANGER" ou "AVERTISSEMENT". Ces mots signifient :

⚠ DANGER

Risque possible de décès ou de blessure grave si vous ne suivez pas immédiatement les instructions.

⚠ AVERTISSEMENT

Risque possible de décès ou de blessure grave si vous ne suivez pas les instructions.

Tous les messages de sécurité vous diront quel est le danger potentiel et vous disent comment réduire le risque de blessure et ce qui peut se produire en cas de non-respect des instructions.

AVERTISSEMENT : Si les renseignements dans ce manuel ne sont pas exactement observés, un incendie ou une explosion peut survenir, causant des dommages au produit, des blessures ou un décès.

- Ne pas entreposer ni utiliser de l'essence ou d'autres vapeurs ou liquides inflammables à proximité de cet appareil ou de tout autre appareil électroménager.
- QUE FAIRE DANS LE CAS D'UNE ODEUR DE GAZ :
 - Ne pas tenter d'allumer un appareil.
 - Ne pas toucher à un commutateur électrique.
 - Ne pas utiliser le téléphone se trouvant sur les lieux.
 - Appeler immédiatement le fournisseur de gaz à partir du téléphone d'un voisin. Suivre ses instructions.
 - À défaut de joindre votre fournisseur de gaz, appeler les pompiers.
- L'installation et l'entretien doivent être effectués par un installateur qualifié, une agence de service ou le fournisseur de gaz.

AVERTISSEMENT : L'odorat ne permet pas toujours la détection d'une fuite de gaz.

Les distributeurs de gaz recommandent l'emploi d'un détecteur de gaz (homologation UL ou CSA).

Pour d'autre information, contacter le fournisseur de gaz local.

En cas de détection d'une fuite de gaz, exécuter les instructions "Que faire dans le cas d'une odeur de gaz".

Avertissements de la proposition 65 de l'État de Californie :

AVERTISSEMENT : Ce produit contient au moins un produit chimique connu par l'État de Californie pour être à l'origine de cancers.

AVERTISSEMENT : Ce produit contient au moins un produit chimique connu par l'État de Californie pour être à l'origine de malformations et autres déficiences de naissance.

La bride antibasculement

Dans les conditions de service normales, la cuisinière ne bascule pas. Elle peut cependant basculer si une force ou un poids excessif est appliqué sur la porte ouverte alors que la bride antibasculement n'est pas convenablement fixée.



⚠ AVERTISSEMENT

Risque de basculement

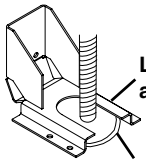
Un enfant ou une personne adulte peut faire basculer la cuisinière ce qui peut causer un décès.

Joindre la bride antibasculement au pied arrière de la cuisinière.

Joindre de nouveau la bride antibasculement si la cuisinière est déplacée.

Voir détails dans les instructions d'installation.

Le non-respect de ces instructions peut causer un décès ou des brûlures graves aux enfants et aux adultes.



La bride antibasculement

Le pied de la cuisinière

Assurez-vous qu'une bride antibasculement est installée :

- **Glisser la cuisinière vers l'avant.**
- **Vérifier que la bride antibasculement est bien fixée au plancher ou au mur.**
- **Glisser de nouveau la cuisinière vers l'arrière de sorte que le pied est sous la bride antibasculement.**

IMPORTANTES INSTRUCTIONS DE SÉCURITÉ

AVERTISSEMENT : Pour réduire le risque d'incendie, de choc électrique, de blessures ou de dommages lors de l'utilisation de la cuisinière, il convient d'observer certaines précautions élémentaires dont les suivantes :

■ **AVERTISSEMENT :** POUR MINIMISER LE RISQUE DE BASCULEMENT DE LA CUISINIÈRE, ELLE DOIT ÊTRE BIEN IMMOBILISÉE PAR DES DISPOSITIFS ANTIBASCULEMENT CORRECTEMENT INSTALLÉS. POUR VÉRIFIER SI LES DISPOSITIFS SONT CORRECTEMENT INSTALLÉS, GLISSER LA CUISINIÈRE VERS L'AVANT ET VÉRIFIER SI LA BRIDE ANTIBASCULEMENT EST BIEN FIXÉE AU PLANCHER OU AU MUR, ET GLISSER LA CUISINIÈRE VERS L'ARRIÈRE POUR QUE LE PIED ARRIÈRE DE LA CUISINIÈRE SOIT SOUS LA BRIDE ANTIBASCULEMENT.

■ **AVERTISSEMENT :** POUR RÉDUIRE LE RISQUE DE BRÛLURE, NE PAS DÉPLACER LA CUISINIÈRE LORSQU'ELLE EST CHAUDE. CETTE CUISINIÈRE COMPORTE DES ROULETTES POUR EN FACILITER LE DÉPLACEMENT. POUR RÉDUIRE LE RISQUE DE BLESSURE LIÉ AU BASCULEMENT DE L'APPAREIL, VÉRIFIER LA QUALITÉ DE LA RÉINSTALLATION DE LA CUISINIÈRE DANS LE DISPOSITIF ANTI-BASCULEMENT FOURNI ET DÉPLOYER LES PIEDS DE NIVELLEMENT APRÈS AVOIR RAMENÉ LA CUISINIÈRE À SA POSITION D'INSTALLATION INITIALE.

■ **AVERTISSEMENT :** NE JAMAIS utiliser cet appareil comme dispositif de chauffage de la pièce. Le non-respect de cette instruction peut entraîner une intoxication au monoxyde de carbone et une surchauffe du four.

■ **AVERTISSEMENT :** NE JAMAIS couvrir les fentes, trous ou passages d'air au fond du four ou couvrir entièrement une grille avec des matériaux tels que du papier d'aluminium. Le non-respect de cette instruction empêche la circulation de l'air dans le four et peut entraîner une intoxication au monoxyde de carbone. Les feuilles de papier d'aluminium peuvent également retenir la chaleur et créer un risque d'incendie.

■ **MISE EN GARDE :** Ne pas remiser dans des armoires au-dessus de la cuisinière ou sur le dossier d'une cuisinière, des objets que des enfants pourraient vouloir atteindre. Les enfants pourraient se brûler ou se blesser en grimpaient sur la cuisinière.

■ Ne pas laisser les enfants seuls – Les enfants ne doivent pas être laissés seuls ou sans surveillance dans la pièce où la cuisinière est en service. Ne jamais laisser les enfants s'asseoir ou se tenir sur une partie quelconque de la cuisinière.

■ Porter des vêtements appropriés – Des vêtements amples ou détachés ne doivent jamais être portés pendant l'utilisation de la cuisinière.

■ Entretien par l'utilisateur – Ne pas réparer ni remplacer toute pièce de la cuisinière si ce n'est pas spécifiquement recommandé dans le manuel. Toute autre opération d'entretien ou de réparation doit être confiée à un technicien qualifié.

■ Remisage dans ou sur la cuisinière – Des matériaux inflammables ne doivent pas être remisés dans un four ou près des éléments de surface.

■ Ne pas utiliser d'eau pour éteindre un feu de graisse – Étouffer le feu ou les flammes ou utiliser un extincteur à produits chimiques secs, ou un extincteur à mousse.

CONSERVEZ CES INSTRUCTIONS

IMPORTANTES INSTRUCTIONS DE SÉCURITÉ

- N'utiliser que des mitaines de four sèches – Des mitaines de four mouillées ou humides sur des surfaces chaudes peuvent provoquer des brûlures provenant de la vapeur. Ne pas laisser les mitaines de four toucher les éléments chauffants. Ne pas utiliser une serviette ou un tissu épais.
- NE PAS TOUCHER LES ÉLÉMENTS DE SURFACE OU L'ESPACE PRÈS DES ÉLÉMENTS – Les éléments de surface peuvent être chauds même lorsqu'ils ont une teinte foncée. Les endroits près des éléments de surface peuvent devenir assez chauds pour causer des brûlures. Pendant et après l'utilisation, ne pas toucher les éléments chauffants et ne pas laisser les vêtements ou autres matériaux inflammables entrer en contact avec ces éléments de surface ou les endroits près des éléments, avant qu'ils aient suffisamment refroidi. Ces endroits comprennent la table de cuisson et les surfaces près de la table de la cuisson.
- Ne jamais laisser les éléments de la table de cuisson sans surveillance alors qu'ils chauffent à la puissance maximale. Il pourrait en résulter une ébullition qui cause de la fumée et des renversements de corps gras qui peuvent s'enflammer.
- Ustensiles de cuisson vitrifiés – Seulement certains types d'ustensiles de verre, vitrocéramique, céramique, faïence ou autres surfaces vitrifiées conviennent pour le service sur une table de cuisson, sans bris attribuables aux changements soudains de température.
- Les poignées des ustensiles doivent être tournées vers l'intérieur et non vers le dessus des éléments adjacents – Pour réduire le risque de brûlures, d'inflammation de produits inflammables et de renversements dus à l'entrechoquement non intentionnel des ustensiles, la poignée d'un ustensile doit être positionnée de sorte qu'elle soit tournée vers l'intérieur et non au-dessus des éléments de surface adjacents.
- Nettoyer la table de cuisson avec prudence – Si une éponge ou un chiffon mouillé est utilisé pour essuyer les renversements sur une surface de cuisson chaude, éviter les brûlures causées par la vapeur chaude. Certains nettoyants peuvent produire des émanations nocives lorsqu'ils sont utilisés sur une surface chaude.
- Exercer une grande prudence lors de l'ouverture de la porte – Laisser l'air chaud ou la vapeur s'échapper avant d'enlever ou de replacer un plat.
- Ne pas faire chauffer des contenants fermés – L'accumulation de pression peut causer une explosion du contenant et des blessures.

CONSERVEZ CES INSTRUCTIONS

IMPORTANTES INSTRUCTIONS DE SÉCURITÉ

- Ne jamais obstruer les ouvertures des événements.
 - Positionnement des grilles du four – Toujours placer les grilles du four à la position désirée pendant que le four est froid. Si la grille doit être déplacée pendant que le four est chaud, ne pas laisser les mitaines de four toucher l'élément chaud du four.
 - **NE PAS TOUCHER LES ÉLÉMENTS CHAUFFANTS OU LES SURFACES INTÉRIEURES DU FOUR** – Les éléments chauffants peuvent être chauds même s'ils ont une teinte foncée. Les surfaces intérieures d'un four deviennent assez chaudes pour causer des brûlures. Pendant et après l'utilisation, ne pas toucher ou laisser des vêtements ou autres matériaux inflammables venir en contact avec les éléments chauds ou les surfaces intérieures chaudes du four avant qu'ils aient eu assez de temps pour refroidir. D'autres surfaces de l'appareil peuvent devenir assez chaudes pour causer des brûlures. Ces surfaces comprennent les ouvertures de l'événement du four et les surfaces près de ces ouvertures, les portes du four, et les hublots des portes du four.
 - Installation correcte – Une fois installée, la cuisinière doit être reliée à la terre conformément aux codes locaux, ou en l'absence de codes locaux, au *National Electrical Code ANSI/NFPA 70*. Au Canada, la cuisinière doit être reliée à la terre conformément au Code canadien des installations électriques. Veiller à ce que l'installation et la mise à la terre de la cuisinière soient correctement réalisées par un électricien qualifié.
 - Déconnecter la source de courant électrique avant d'intervenir sur l'appareil.
 - Des blessures peuvent résulter d'un mauvais usage des portes ou tiroirs de l'appareil – par exemple marcher, s'appuyer ou s'asseoir sur les portes ou tiroirs.
 - Entretien – Maintenir la zone de la cuisinière à l'abri des matériaux combustibles, essence ou autres vapeurs ou liquides inflammables.
 - La taille de la flamme du brûleur supérieur doit être ajustée de façon à ne pas dépasser du bord de l'ustensile de cuisson.
- Pour les cuisinières avec programme d'autonettoyage –**
- Ne pas nettoyer le joint de la porte – Le joint de la porte est essentiel pour l'étanchéité. Veiller à ne pas frotter, endommager ou déplacer le joint.
 - Ne pas utiliser des produits commerciaux de nettoyage du four – On ne doit pas utiliser un produit commercial de nettoyage de four ou un enduit de protection des surfaces internes du four quel qu'en soit le type, sur les surfaces du four ou les surfaces voisines.
 - Nettoyer uniquement les pièces indiquées dans le manuel.
 - Avant d'exécuter le programme d'autonettoyage du four – Ôter la lèchefrite et les autres ustensiles. Essuyer tout excès de renversement avant de commencer un programme de nettoyage.
- Pour les appareils avec hotte de ventilation –**
- Nettoyer les hottes de ventilation fréquemment – La graisse ne doit pas s'accumuler sur la hotte ou le filtre.
 - Lorsque vous flambez des aliments sous la hotte, mettre le ventilateur en marche.

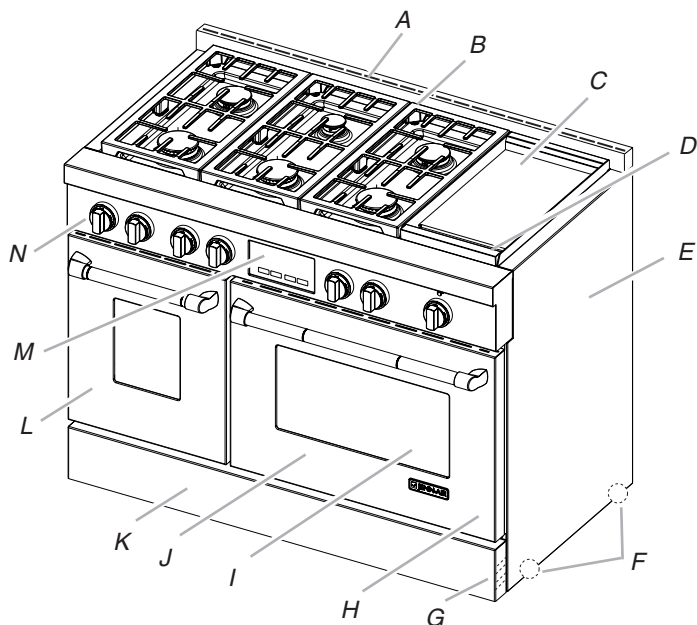
CONSERVEZ CES INSTRUCTIONS

PIÈCES ET CARACTÉRISTIQUES

Ce manuel couvre plusieurs modèles différents. La cuisinière que vous avez achetée peut comporter l'ensemble des articles énumérés ou seulement certains d'entre eux. Les emplacements et aspects des caractéristiques illustrées ci-dessous peuvent ne pas correspondre à ceux de votre modèle.

REMARQUE : Les capacités nominales des brûleurs mentionnées ici correspondent au gaz naturel.

Cuisinière

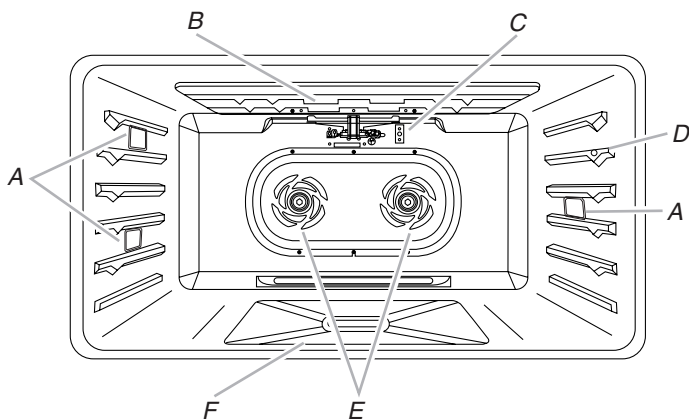


- A. Panneau anti-éclaboussure
- B. Conception service intense de grille simple
- C. Plaque à frire électrique (sur certains modèles)
- D. Plateau d'égouttement
- E. Panneaux en acier inoxydable
- F. Pieds à roulettes
- G. Mires de nivellement
- H. Portes à charnières équilibrées
- I. Grand hublot de contrôle
- J. Four à convection véritable et à double ventilateur
- K. Panneau inférieur amovible
- L. Four à convection véritable de 18" (45,7 cm)
- M. Écran ACL couleur et tactile sur tout son périmètre de 7" (17,8 cm)
- N. Boutons en acier inoxydable surdimensionnés

Non illustré :

- Couvercle de plaque à frire facultatif
- Cerclage de wok facultatif
- Lèche-frite et grille de rôtissage facultatives
- Grilles haute résistance avec poignée
- Grille coulissante déployable avec poignée

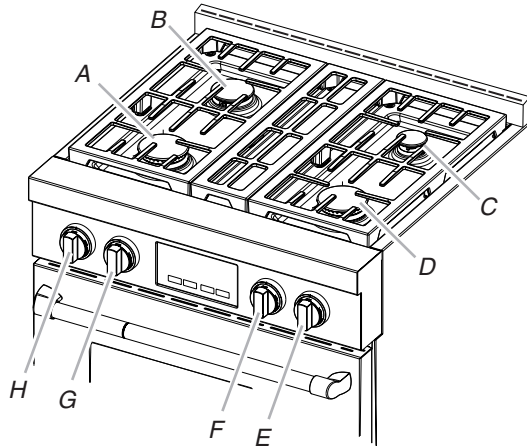
Intérieur du four



- A. Lampes à halogène
- B. Brûleur de cuisson au gril (non disponible sur la cavité du four de gauche pour les modèles de 48" [121,9 cm])
- C. Capteur de la cavité du four
- D. Prise de sonde thermométrique (non disponible sur la cavité du four de gauche pour les modèles de 48" [121,9 cm])
- E. Ventilateur(s) de convection
- F. Couvercle du brûleur de cuisson au four

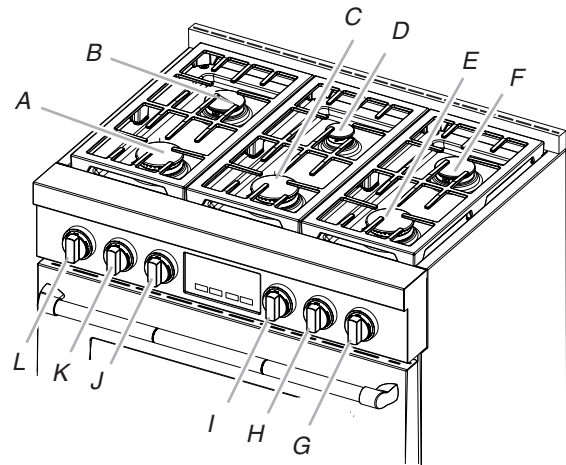
Tableaux de commande

JGRP430



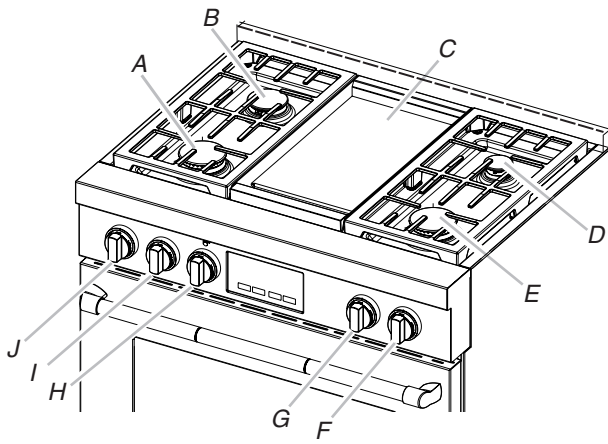
- A. Brûleur de 20 000 BTU/h
- B. Brûleur de 15 000 BTU/h
- C. Brûleur de 5 000 BTU/h
- D. Brûleur de 15 000 BTU/h
- E. Bouton de commande avant droit
- F. Bouton de commande arrière droit
- G. Bouton de commande avant gauche
- H. Bouton de commande arrière gauche

JGRP436



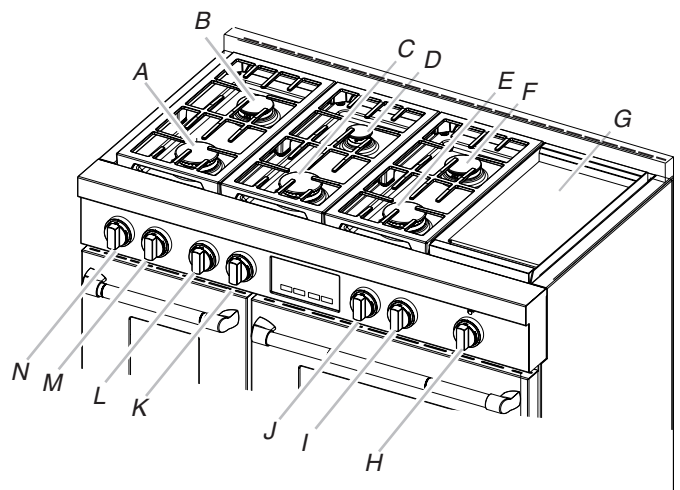
- A. Brûleur de 20 000 BTU/h
- B. Brûleur de 15 000 BTU/h
- C. Brûleur de 15 000 BTU/h
- D. Brûleur de 5 000 BTU/h
- E. Brûleur de 20 000 BTU/h
- F. Brûleur de 15 000 BTU/h
- G. Bouton de commande avant droit
- H. Bouton de commande arrière droit
- I. Bouton de commande central avant
- J. Bouton de commande central arrière
- K. Bouton de commande avant gauche
- L. Bouton de commande arrière gauche

JGRP536



- A. Brûleur de 20 000 BTU/h
- B. Brûleur de 15 000 BTU/h
- C. Plaque à frire électrique
- D. Brûleur de 5 000 BTU/h
- E. Brûleur de 15 000 BTU/h
- F. Bouton de commande avant droit
- G. Bouton de commande arrière droit
- H. Bouton de commande de la plaque à frire
- I. Bouton de commande avant gauche
- J. Bouton de commande arrière gauche

JGRP548



- A. 20 000 BTU/h
- B. 15 000 BTU/h
- C. 15 000 BTU/h
- D. 5 000 BTU/h
- E. 20 000 BTU/h
- F. 15 000 BTU/h
- G. Plaque à frire électrique
- H. Bouton de commande de la plaque à frire
- I. Bouton de commande avant droit
- J. Bouton de commande arrière droit
- K. Bouton de commande central avant
- L. Bouton de commande central arrière
- M. Bouton de commande avant gauche
- N. Bouton de commande arrière gauche

UTILISATION DE LA TABLE DE CUISSON

Commandes de la table de cuisson

AVERTISSEMENT



Risque d'incendie

La flamme d'un brûleur ne devrait pas dépasser le bord du récipient de cuisson.

Fermer tous les réglages lorsque la cuisson est terminée.

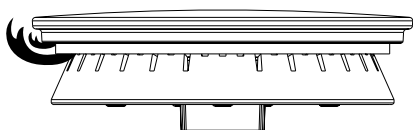
Le non-respect de ces instructions peut causer un décès ou un incendie.

IMPORTANT : Cette table de cuisson a été configurée à l'usine pour une alimentation au gaz naturel. Si vous souhaitez utiliser du gaz propane, une trousse de conversion au gaz propane est fournie avec la cuisinière. Voir les instructions fournies dans les Instructions d'installation pour plus de détails sur la réalisation de cette conversion.

Des allumeurs électriques allument automatiquement les brûleurs de surface lorsque les boutons de commande sont tournés à LITE (allumage).

Trois tailles de brûleurs sont fournies : 20 000 Btu/h [unités thermiques britanniques], 15 000 Btu/h, et 5 000 Btu/h.

Le brûleur haute puissance superposé de 20 000 BTU/h comporte un débit thermique minimal et un débit thermique maximal.



Le réglage Power Hi (puissance élevée) utilise les deux niveaux de flamme à pleine puissance pour fournir le niveau thermique maximal et est idéal pour la cuisson de grandes quantités d'aliments liquides ou solides à l'aide de grandes casseroles et poêles. Les réglages Simmer Hi et Lo (mijotage élevé et faible) utilisent uniquement le débit thermique maximum et permettent de contrôler le mijotage avec précision et de cuire de petites quantités d'aliments.

Le brûleur de 5 000 BTU/h atteint 500 BTU/h au réglage minimum et est idéal pour la cuisson de quantités d'aliments plus petites et pour faire fondre le chocolat ou le beurre.

Avant de régler un bouton de commande, placer l'ustensile de cuisson rempli sur la grille. Ne pas faire fonctionner un brûleur avec un ustensile de cuisson vide ou sans ustensile de cuisson sur la grille.

REMARQUE : Vérifier visuellement que le brûleur est allumé. Si le brûleur ne s'allume pas, guetter un déclic. Si l'allumeur n'émet aucun déclic, éteindre le brûleur. Vérifier que disjoncteur ne s'est pas déclenché ou qu'un fusible n'est pas grillé.

Vérifier que le bouton de commande est complètement enfoncé sur la tige de la soupape. Si l'allumeur ne fonctionne toujours pas, appeler un technicien de réparation qualifié.

La liaison à la terre et la polarité appropriées sont nécessaires pour le bon fonctionnement du système d'allumage électrique. Si la prise de courant murale ou la boîte de connexion ne fournit pas la polarité correcte, l'allumeur deviendra relié à la terre et pourra occasionnellement émettre un déclic, même après l'allumage du brûleur. Faire vérifier la prise murale ou la boîte de connexion par un technicien de réparation qualifié pour voir si la polarité du câblage est correcte.

Caractéristique de rallumage Flame-Sensing™

Durant l'utilisation de la table de cuisson, si un ou plusieurs brûleurs s'éteint/s'éteignent en raison de causes extérieures (telles qu'un renversement de liquide, un courant d'air ou un mouvement d'air lié à l'aspiration), le système d'allumage s'active pour rallumer la flamme. Lorsque la flamme réapparaît, la production d'étincelles cesse. Si l'on n'élimine pas le courant d'air dans la pièce, la production épisodique d'étincelles peut se poursuivre. Une production d'étincelles peut aussi se produire occasionnellement lorsqu'on utilise le débit thermique minimal sur l'un des brûleurs.

Réglage :

1. Enfoncer et tourner le bouton dans le sens antihoraire à LITE.

Lorsque les boutons de commande de brûleurs petits ou moyens sont tournés à la position LITE (allumage), tous les brûleurs petits ou moyens émettront un déclic. Lorsque le bouton de commande du grand brûleur est tourné à la position LITE (allumage), ce brûleur émettra un déclic indépendamment des autres brûleurs. Dans les deux cas, seul le brûleur dont le bouton de commande est tourné à LITE produira une flamme.

2. Tourner le bouton n'importe où entre HI et LO (élevé et bas) dans le sens antihoraire. Enfoncer une fois de plus pour passer de LO (bas) à Simmer HI (mijotage élevé).

Utiliser les tableaux suivants comme guide lors du réglage des niveaux thermiques.

Brûleur haute puissance superposé de 20 000 BTU/h

RÉGLAGE	UTILISATION RECOMMANDÉE
LITE (allumage)	■ Allumage du brûleur.
HI (élevé)	■ Démarrer la cuisson des aliments. ■ Porter un liquide à ébullition. ■ Préchauffer des poêlons/poêles. ■ Brunir ou saisir rapidement les aliments.
MED (moyen)	■ Faire frire ou sauter les aliments. ■ Maintenir une ébullition.
LO (bas)	■ Faire cuire les soupes et les sauces.
Simmer HI (mijotage élevé)	■ Commencer la cuisson des aliments plus épais tels que sauce tomate, chili, etc.
Simmer LO (mijotage faible)	■ Maintenir un mijotage doux.

Réglages de brûleurs à mijotage

Réglage :

1. Enfoncer et tourner le bouton dans le sens antihoraire à LITE.
Lorsque les boutons de commande de brûleurs petits ou moyens sont tournés à la position LITE (allumage), tous les brûleurs petits ou moyens émettront un déclic. Lorsque le bouton de commande du grand brûleur est tourné à la position LITE (allumage), ce brûleur émettra un déclic indépendamment des autres brûleurs. Dans les deux cas, seul le brûleur dont le bouton de commande est tourné à LITE produira une flamme.
2. Tourner le bouton n'importe où entre Simmer HI et LO (mijotage élevé et faible) dans le sens antihoraire.

Utiliser les tableaux suivants comme guide lors du réglage des niveaux thermiques.

Brûleur de 15 000 BTU/h

RÉGLAGE	UTILISATION RECOMMANDÉE
LITE (allumage)	<ul style="list-style-type: none"> ■ Allumage du brûleur.
HI (élevé)	<ul style="list-style-type: none"> ■ Démarrer la cuisson des aliments. ■ Porter un liquide à ébullition. ■ Préchauffer des poêlons/poêles. ■ Brunir ou saisir rapidement les aliments.
MED (moyen)	<ul style="list-style-type: none"> ■ Faire frire ou sauter les aliments. ■ Maintenir une ébullition.
LO (bas)	<ul style="list-style-type: none"> ■ Faire cuire les soupes et les sauces. ■ Faire mijoter ou étuver les aliments.

Brûleur pour faire mijoter/fondre de 5 000 BTU/h

RÉGLAGE	UTILISATION RECOMMANDÉE
LITE (allumage)	<ul style="list-style-type: none"> ■ Allumage du brûleur.
HI (élevé)	<ul style="list-style-type: none"> ■ Faire cuire les soupes et les sauces. ■ Faire mijoter ou étuver les aliments.
LO (bas)	<ul style="list-style-type: none"> ■ Faire fondre le chocolat ou le beurre.

N'OUBLIEZ PAS : Quand l'appareil est utilisé, toute la surface de la table de cuisson peut devenir chaude.

Panne de courant

Lors d'une panne de courant prolongée, on peut allumer manuellement les brûleurs de surface. Tenir une allumette allumée près d'un brûleur et tourner le bouton dans le sens antihoraire à HI (élevé). Une fois le brûleur allumé, tourner le bouton au réglage souhaité.

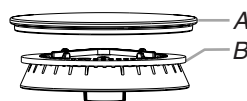
Surface de la table de cuisson

Essuyer la table de cuisson, les grilles et les chapeaux après chaque utilisation; ceci les protégera contre les taches.

Les renversements d'aliments contenant des produits acides, tels que vinaigre et tomates, doivent être nettoyés dès que l'appareil a refroidi. Ces renversements peuvent affecter le fini.

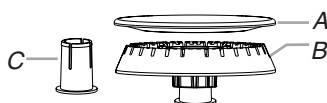
Pour plus de renseignements, voir les sections "Brûleurs de surface scellés" et "Nettoyage général".

Brûleurs de surface scellés



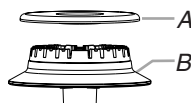
Brûleur haute puissance superposé de 20 000 BTU/h

- A. Chapeau de brûleur
- B. Base du brûleur



Brûleur de 15 000 BTU/h

- A. Chapeau de brûleur
- B. Base du brûleur
- C. Douille de réduction (pour utilisation avec le brûleur de moyenne puissance, uniquement pour l'alimentation au propane).



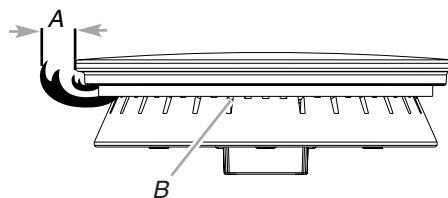
Brûleur pour mijotage de 5 000 BTU/h

- A. Chapeau de brûleur
- B. Base du brûleur

IMPORTANT : Ne pas entraver l'évacuation de l'air de combustion et de ventilation autour des bords des grilles de brûleur.

Chapeau de brûleur : Toujours garder le chapeau de brûleur en place lorsqu'un brûleur de surface est utilisé. Un chapeau de brûleur propre aide à empêcher le mauvais allumage et les flammes irrégulières. Toujours nettoyer le chapeau du brûleur après un renversement; enlever et nettoyer régulièrement les chapeaux tel qu'indiqué à la section "Nettoyage général".

Ouverture de gaz : Pour que le brûleur s'allume convenablement, le gaz doit pouvoir circuler librement à travers l'orifice de gaz. Garder cette zone propre et ne pas laisser de renversements, d'aliments, d'agents de nettoyage ou tout autre produit pénétrer dans l'ouverture de gaz. Toujours utiliser un chapeau de brûleur pour protéger l'ouverture de gaz contre tout renversement.



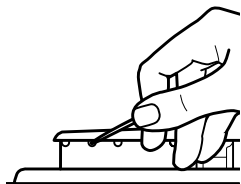
- A. 1 à 1 1/2" (25 à 38 mm)
- B. Orifices de brûleur

Orifices de brûleur : Examiner occasionnellement les flammes des brûleurs pour en vérifier la taille et la forme tel qu'indiqué ci-dessus. Une bonne flamme est bleue plutôt que jaune. Garder cette zone propre et ne pas laisser les produits renversés, les aliments, les agents de nettoyage ou tout autre produit pénétrer dans les orifices de brûleur.

Nettoyage :

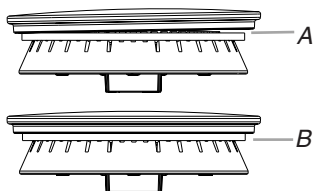
IMPORTANT : Avant le nettoyage, s'assurer que toutes les commandes sont éteintes et que le four et la table de cuisson sont froids. Ne pas utiliser de nettoyeurs à four, d'agent de blanchiment ou de décapants à rouille.

1. Ôter le chapeau et la base du brûleur et nettoyer en suivant les instructions de la section "Nettoyage général".
2. Nettoyer l'ouverture de gaz avec un chiffon humide.
3. Nettoyer les orifices de brûleur obstrués avec une épingle droite tel qu'indiqué. Ne pas agrandir ni déformer l'orifice. Ne pas utiliser un cure-dents en bois. Si le brûleur a besoin d'être ajusté, contacter un technicien de réparation qualifié.



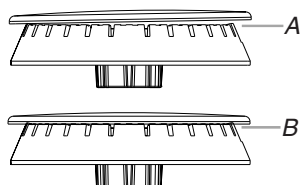
4. Réinstaller le chapeau du brûleur et s'assurer que les tiges d'alignement sont bien alignées avec le chapeau du brûleur.

Brûleur haute puissance superposé de 20 000



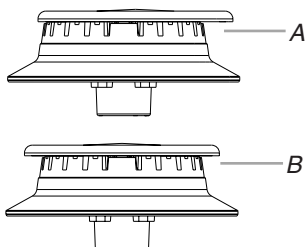
A. Incorrect
B. Correct

Brûleur de 15 000 BTU/h



A. Incorrect
B. Correct

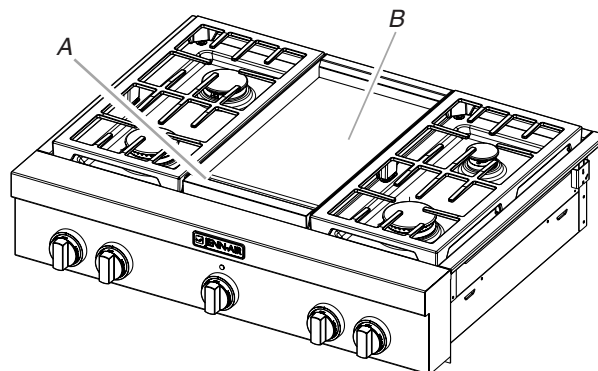
Brûleur pour mijotage de 5 000 BTU/h



A. Incorrect
B. Correct

5. Allumer le brûleur. Si le brûleur ne s'allume pas, vérifier l'alignement du chapeau. Si le brûleur ne s'allume toujours pas, ne pas réparer vous-même le brûleur scellé. Contacter un technicien de réparation qualifié.

Plaque à frire électrique chromée (sur certains modèles)



A. Plateau d'égouttement
B. Plaque à frire

Le système de plaque à frire électrique chromée fournit une surface de cuisson à répartition de chaleur uniforme et au nettoyage facile.

- Retirer la pellicule de plastique et nettoyer avec de l'eau chaude et savonneuse avant la première utilisation.
- Afin d'éviter d'égratigner la plaque à frire, ne pas placer de casseroles ou de poêles sur la plaque à frire.
- Afin d'éviter d'égratigner la plaque à frire, utiliser uniquement des ustensiles en plastique ou en bois résistants à la chaleur.
- La surface de la plaque à frire est prête à l'emploi et ne nécessite pas de préparation.
- Le fait de verser de l'eau froide sur une plaque à frire chaude peut déformer la plaque à frire et entraîner une surface de cuisson irrégulière.

Utilisation :

1. Positionner le plateau d'égouttement sous le bord avant de la plaque pour récupérer la graisse et les résidus alimentaires.
2. Enfoncer et tourner le bouton de commande à la température désirée.
3. Consulter le tableau de préchauffage de la plaque à frire pour les durées de préchauffage.

Le témoin lumineux de la plaque à frire s'éteint lorsque le préchauffage de la plaque à frire est terminé. Le témoin lumineux de la plaque à frire s'allume et s'éteint durant l'utilisation pour indiquer que l'élément de la plaque à frire maintient la température de surface sélectionnée.

4. Placer l'aliment sur la plaque et cuire au degré de cuisson désiré.

Tableaux pour cuisson avec plaque à frire

Les réglages et durées de cuisson sont cités à titre indicatif seulement et peuvent être modifiés en fonction des goûts personnels.

Tableau de préchauffage

TEMPÉRATURE	DURÉE DE PRÉCHAUFFAGE (en minutes)
250°F (121°C)	10
300°F (149°C)	14
350°F (177°C)	15
400°F (204°C)	20
450°F (232°C)	25
500°F (260°C)	27

Tableau de cuisson

ALIMENT	RÉGLAGE	DURÉE DE CUISSON TOTAL MINUTES
Galettes et chapelets de saucisses	325°F (163°C)	12-18
Tranches de bacon	350°F (177°C)	7-11
Tranches de jambon (entièrement cuit)	325°F (163°C)	5-7
Saucisses de Francfort et saucisses précuites	325°F (163°C)	8-15
Galettes de viande hachée	350°F (177°C)	10-15
Sandwiches grillés	325°F (163°C)	3-5
Darnes et filets de poisson	325°F (163°C)	8-15
Oeufs	300°F (149°C)	3-5
Pommes de terre rissolées	400°F à 425°F (204°C à 218°C)	8-12
Pain doré	350°F (177°C)	5-7
Crêpes	350°F (177°C)	2-4

Après chaque utilisation :

1. Éteindre la plaque à frire et la laisser refroidir.
2. Gratter les résidus de la plaque à frire et les faire tomber dans le plateau d'égouttement à l'aide d'ustensiles en plastique ou en bois résistants à la chaleur.
3. Rincer la plaque à frire avec de l'eau chaude et savonneuse.
4. Ôter et nettoyer le plateau d'égouttement et la zone située en dessous. Incliner doucement le plateau d'égouttement afin que le contenu ne se renverse pas lorsqu'on le retire.
5. Nettoyer à l'aide d'un tampon à récurer en nylon et de l'eau savonneuse puis rincer à l'eau chaude.
6. Sécher la plaque à frire, le plateau d'égouttement et la zone située en-dessous avec des essuie-tout pour enlever l'excès de graisse et d'huile.
7. Si désiré, on peut effectuer un dernier nettoyage avec du vinaigre blanc dilué pour éliminer les résidus tenaces sur la plaque à frire. Utiliser un grattoir en nylon trempé dans un mélange d'une (1) cuillère à soupe (15 mL) de vinaigre blanc et une demi-tasse (118 mL) d'eau chaude. Frotter doucement les taches tenaces, rincer à l'eau chaude et sécher.

Ustensiles de cuisson

IMPORTANT : Ne pas laisser un ustensile de cuisson vide sur la surface d'une table de cuisson, d'un élément ou d'un brûleur de surface chauds.

Les ustensiles de cuisson idéals doivent avoir un fond plat, des parois droites, un couvercle qui ferme bien et le matériau doit être d'épaisseur moyenne à forte.

Les surfaces rêches peuvent érafler la table de cuisson ou les grilles. L'aluminium et le cuivre peuvent être employés comme fond ou base dans un ustensile de cuisson. Cependant, utilisés comme base, ils peuvent laisser des marques permanentes sur la table de cuisson ou les grilles.

Le matériau d'un ustensile de cuisson affecte la rapidité et l'uniformité de la transmission de la chaleur, ce qui affecte les résultats de cuisson. Un fini antiadhésif a les mêmes caractéristiques que son matériau de base. Par exemple, un ustensile de cuisson en aluminium avec un fini antiadhésif aura les propriétés de l'aluminium.

Les ustensiles de cuisson avec surface antiadhésive ne doivent pas être utilisés sous l'élément de cuisson au grill.

Utiliser le tableau suivant comme guide pour les caractéristiques du matériau de l'ustensile de cuisson.

USTENSILE	CARACTÉRISTIQUES
Aluminium	<ul style="list-style-type: none">■ Chauffe rapidement et uniformément.■ Convient à tous les genres de cuisson.■ L'épaisseur moyenne ou forte convient le mieux pour la plupart des tâches de cuisson.
Fonte	<ul style="list-style-type: none">■ Chauffe lentement et uniformément.■ Convient pour le brunissage et la friture.■ Maintient la chaleur pour une cuisson lente.
Céramique ou vitrocéramique	<ul style="list-style-type: none">■ Suivre les instructions du fabricant.■ Chauffe lentement mais inégalement.■ Les meilleurs résultats sont obtenus sur les réglages de chaleur basse à moyenne.
Cuivre	<ul style="list-style-type: none">■ Chauffe très rapidement et de façon uniforme.
Terre cuite	<ul style="list-style-type: none">■ Suivre les instructions du fabricant.■ Utiliser des réglages de température basse.
Acier émaillé (porcelaine) ou fonte émaillée	<ul style="list-style-type: none">■ Voir acier inoxydable ou fonte.
Acier inoxydable	<ul style="list-style-type: none">■ Chauffe rapidement, mais inégalement.■ Un fond ou une base d'aluminium ou de cuivre sur l'acier inoxydable procure un chauffage uniforme.

Préparation de conserves à la maison

Lors de la préparation de conserves pendant de longues périodes, alterner l'utilisation des brûleurs de surface entre les quantités préparées. Cette alternance permet aux dernières surfaces utilisées de refroidir.

- Centrer l'autoclave sur la grille.

- Ne pas placer l'autoclave sur deux brûleurs de surface à la fois.
- Pour plus de renseignements, communiquez avec votre service local d'agriculture. Les compagnies qui fabriquent des produits pour la préparation de conserves peuvent aussi offrir de l'aide.

MODULE DE COMMANDE ÉLECTRONIQUE DU FOUR

Ce manuel couvre différents modèles. Le four que vous avez acheté peut comporter tous les articles énumérés ou seulement certains d'entre eux. Les emplacements et aspects des articles illustrés ci-dessous peuvent ne pas correspondre à ceux de votre modèle.

On peut accéder aux commandes du four au moyen du tableau de commande et de l'affichage tactile interactif.

REMARQUE : En raison de la sensibilité du tableau de commande, nous avons fourni des instructions spéciales pour le nettoyage du tableau ainsi que du tableau de commande tactile. Voir la section "Nettoyage général" pour les instructions de nettoyage.

Tableau de commande du four de 30" (76,2 cm) et 36" (91,4 cm)

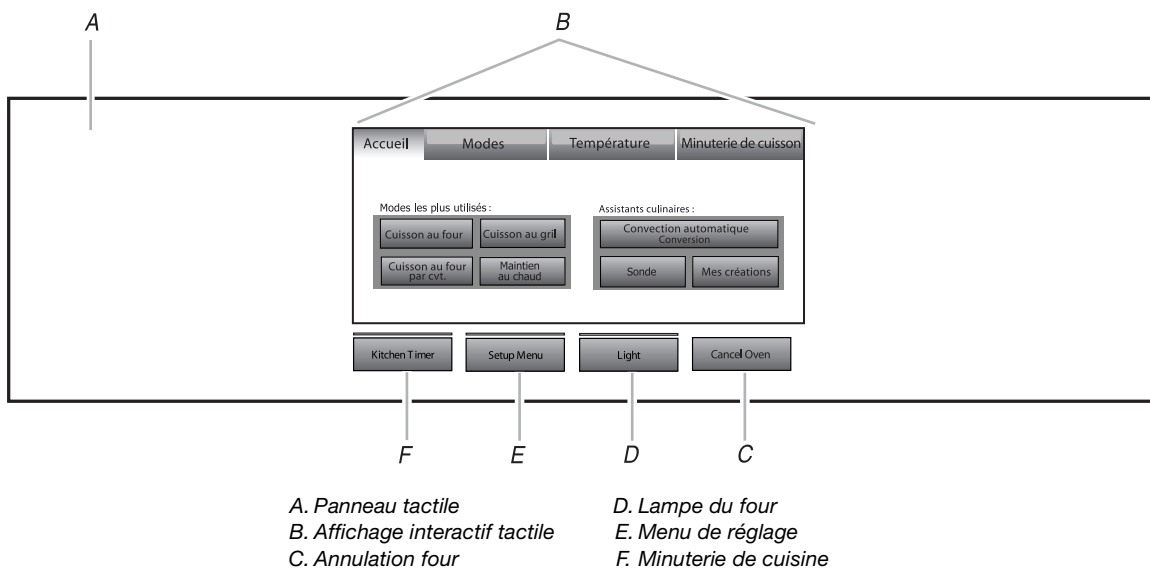


Tableau de commande du four de 48" (121,9 cm)

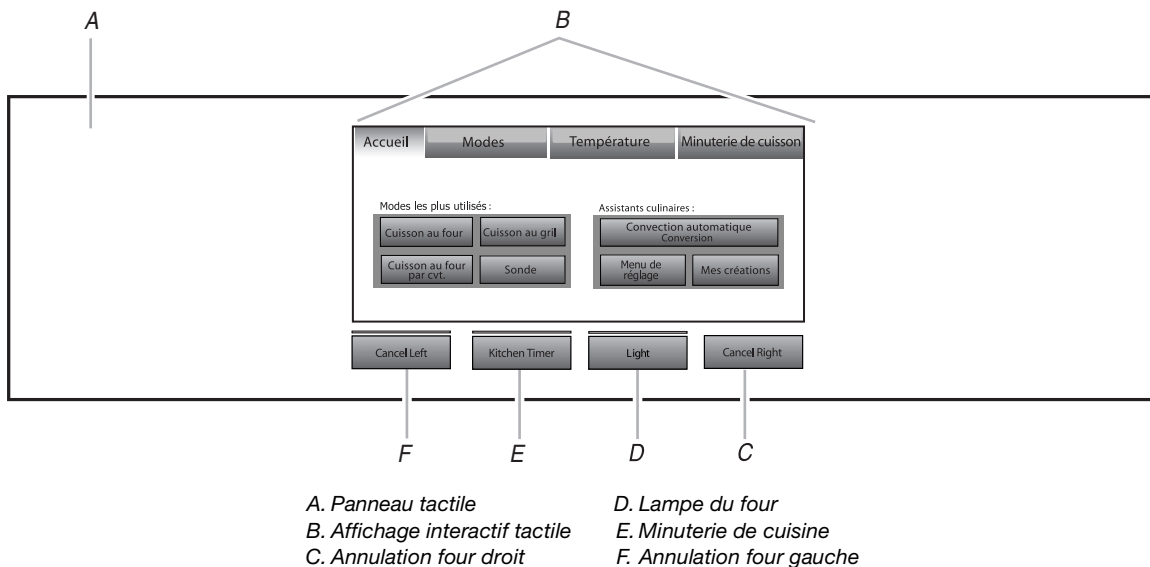


Tableau de commande

Le tableau de commande regroupe le menu de commande et les commandes des différentes fonctions. Les touches de commande sont très sensibles et il suffit d'un léger toucher pour les activer.

Pour plus d'information sur chaque commande, voir leurs sections respectives dans ce manuel.

Guide de bienvenue

Ceci apparaît sur l'affichage la première fois que le four est mis sous tension. Le Guide de bienvenue permet à l'utilisateur de régler le nouveau four.

1. Sélectionner la langue en appuyant sur English ou Français.
2. Sélectionner les unités de degré de température en appuyant sur Fahrenheit ou Celsius.
3. Sélectionner OUI ou NON pour l'heure avancée - respect de l'heure avancée.

4. Appuyer sur SUIVANT.
5. Sélectionner les unités de l'horloge en appuyant sur AM/PM ou 24 HEURES (militaire).
6. Pour le style d'horloge, appuyer sur ANALOGUE ou DIGITALE.
7. Appuyer sur SUIVANT.
8. Entrer l'heure à l'aide du clavier numérique à l'écran.
9. Appuyer sur SUIVANT.
10. Sélectionner la date du jour à l'aide du clavier numérique à l'écran et utiliser les boutons "<" et ">" pour entrer le mois et l'année.
11. Sélectionner SUIVANT.
12. Choisir une apparence d'écran assortie à l'apparence du four.
13. Sélectionner TERMINÉ. Ceci sauvegarde les ajustements.
14. Voir la section "Menu de réglage" pour des renseignements plus détaillés.

Affichage

Lorsqu'on utilise le(s) four(s) (alors au mode actif), l'affichage indique l'horloge, le mode, la température du four et la minuterie si elle est réglée. Si la minuterie n'est pas réglée, on peut la régler à partir de cet écran.

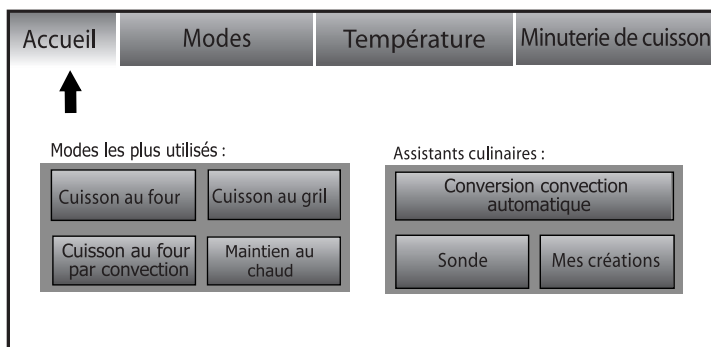
Après environ 2 minutes d'inactivité, l'affichage passe au mode de veille et le panneau lumineux de l'affichage s'assombrit. Lorsque le four fonctionne, l'affichage reste actif.

Durant la programmation, l'affichage indique les menus et sélections appropriées pour leur fonction de cuisson respective.

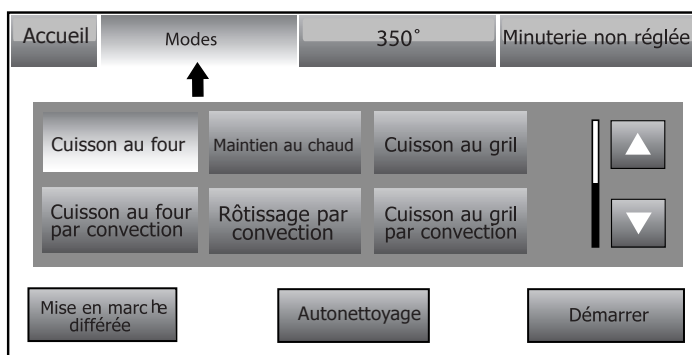
Afficheur tactile interactif

À partir du menu Accueil et du menu Modes, tous les programmes de cuisson automatique peuvent être activés; tous les programmes de cuisson manuels peuvent être programmés; les réglages peuvent être ajustés et les instructions, les directives de préparation et les conseils sont accessibles.

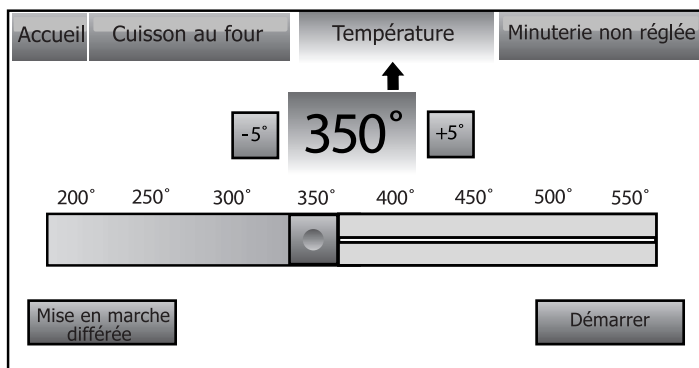
Écran du menu Accueil



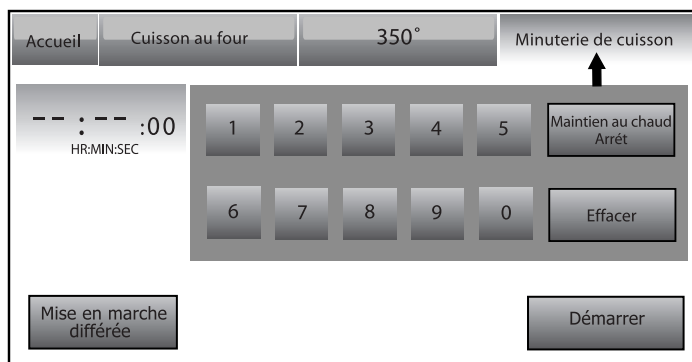
Écran du menu Modes



Écran du menu Température



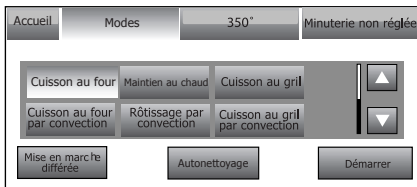
Écran du menu Durée de cuisson



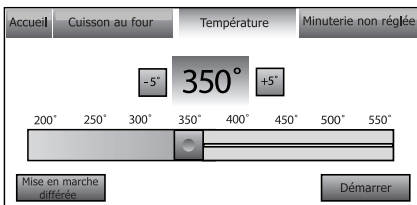
Démonstration de menu

Les instructions suivantes expliquent comment programmer un programme de cuisson au four, à partir du menu Modes.

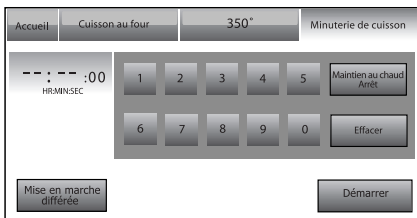
1. Appuyer sur l'onglet **MODES** pour passer au menu Modes.
2. À partir du menu Modes, appuyer sur **CUISSON AU FOUR**. On passe alors à l'écran de température.



3. Utiliser le curseur pour entrer la température de cuisson souhaitée ou appuyer sur les boutons **-5°** (**-1°C**) ou **+5°** (**+1°C**). La température doit se situer entre 170°F (77°C) et 550°F (288°C).



4. Appuyer sur **DÉMARRER** pour commencer le préchauffage du four.
OU
5. Si l'on souhaite programmer une durée de cuisson, utiliser la fonction **Keep Warm™** ou **Mise en marche différée**, appuyer sur **MINUTERIE NON RÉGLÉE** pour accéder à l'écran de minuterie de cuisson.
Pour régler une durée de cuisson, entrer une durée de cuisson à l'aide du clavier numérique à l'écran. Une minuterie avertit l'utilisateur de la fin d'une cuisson. La durée ne doit pas dépasser 12 heures. Voir la section "Minuterie de cuisson" pour plus d'informations.



6. (Facultatif) Pour régler une mise en marche différée, appuyer sur **MISE EN MARCHÉ DIFFÉRÉE** et **RÉGLER MISE EN MARCHÉ DIFFÉRÉE**. Voir la section "Mise en marche différée" pour plus de renseignements.
7. (Facultatif) Pour garder les aliments au chaud une fois leur cuisson terminée, activer **Maintien au chaud**. Voir la section "Option **Keep Warm™**" pour plus de renseignements.
8. Appuyer sur **DÉMARRER** pour commencer le préchauffage du four.
9. Placer les aliments dans le four lorsque le signal sonore de préchauffage retentit. L'écran indique "Insérer les aliments et démarrer la minuterie, si désiré."
10. Appuyer sur **CANCEL** (annulation) (**CANCEL LEFT** [annulation four gauche] ou **CANCEL RIGHT** [annulation four droit] sur les modèles de 48" [121,9 cm]) pour éteindre le four.

Minuterie de cuisine

La minuterie de cuisine est une minuterie indépendante sans rapport avec les minuterie de cuisson.

1. Appuyer sur le bouton **KITCHEN TIMER** (minuterie de cuisine) lorsque l'affichage indique l'écran Horloge.
2. Entrer la durée souhaitée (-- : -- : --) à l'aide du clavier numérique à l'écran.
3. Appuyer sur **EFFACER** pour effacer la minuterie et la ramener à (-- : -- : --).
4. Appuyer sur la touche **DÉMARRER LA MINUTERIE** pour activer cette fonction.
5. Pour ajuster la minuterie de cuisine pendant qu'elle fonctionne, appuyer sur **AJUSTER** et sélectionner "Annulation minuterie" ou utiliser le clavier numérique à l'écran pour entrer une nouvelle durée.
6. Si l'on appuie sur "Annulation minuterie", la minuterie est annulée et le panneau dissimulé.
7. Lorsque la minuterie de cuisine est terminée, un bip retentit.
8. Une fois la durée écoulée, il est possible de rajouter du temps en appuyant sur le bouton **Ajouter du temps**. Utiliser le clavier numérique à l'écran pour entrer la durée supplémentaire.
9. Pour dissimuler le panneau, appuyer sur **OK**.

Menu de réglage

Le four offre la possibilité de contrôler plusieurs des réglages par défaut et d'accéder à des informations au moyen de l'affichage à l'écran. Parmi ceux-ci : Verrouiller boutons maintenant, Verrouillage automatique, Autonettoyage, Volume sonore, Régler l'heure, Régler la date, Options de l'horloge, Mode Sabbat, Luminosité de l'écran, Apparence d'écran, Langue, Réglages régionaux, Calibrage écran tactile, Calibrage de température, Informations de service et Réinitialiser tous les réglages.

Pour accéder au menu de réglage :

1. Appuyer sur **SETUP MENU** (menu de réglage).
2. Utiliser la barre de défilement à droite de l'écran pour visualiser et accéder aux réglages.
3. Si le four est en cours d'utilisation, **SETUP MENU** (menu de réglage) est désactivé.

Verrouiller boutons maintenant

La fonction **Verrouiller boutons maintenant** permet le verrouillage de tous les boutons. Ce réglage est automatiquement désactivé si la minuterie de cuisine fonctionne ou que l'on utilise le four.

Faire glisser la barre vers le haut sur l'écran principal, au-dessus de "Faire glisser pour déverrouiller" pour déverrouiller les boutons/l'écran.

Verrouillage automatique

Pour activer la fonction de verrouillage automatique, appuyer sur "Verrouillage automatique". Faire glisser la barre vers le haut sur l'écran principal pour déverrouiller les boutons/l'écran. Pour désactiver cette fonction, appuyer sur "Verrouillage automatique" dans le menu de réglage.

Régler l'heure

1. À partir du menu de réglage, appuyer sur **RÉGLER HEURE**.
2. Entrer la durée à l'aide du clavier numérique à l'écran. Il faut entrer une durée valide pour sauvegarder les réglages.
3. Si l'on appuie sur **Effacer**, l'horloge s'efface et indique 00:00.
4. Choisir **AM** ou **PM**.
5. Appuyer sur **SAUVEGARDER**. Ceci ramène l'utilisateur à l'écran Horloge.

Date

1. À partir du menu de réglage, appuyer sur RÉGLER DATE.
2. Entrer le jour à l'aide du clavier numérique à l'écran.
3. Choisir le mois à l'aide des boutons "<" ou ">".
4. Choisir l'année à l'aide des boutons "<" ou ">".
5. Appuyer sur SAUVEGARDER. Ceci ramène l'utilisateur à l'écran Horloge.

Options de l'horloge

1. À partir du menu de réglage, appuyer sur OPTIONS DE L'HORLOGE.
2. Sélectionner les unités souhaitées pour l'horloge : AM/PM ou 24 HEURES (heure militaire).
3. Pour le style d'horloge, choisir entre ANALOGUE ou DIGITALE.
4. Appuyer sur Sauvegarder. Ceci ramène l'utilisateur à l'écran Horloge.

Volume sonore

1. À partir du menu de réglage, appuyer sur VOLUME SONORE.
2. Ajuster la minuterie, la pression des boutons ou le son des avertissements; utiliser la barre de défilement pour entrer les niveaux sonores souhaités.
3. Appuyer sur MARCHE/ARRÊT pour alterner entre les réglages pour les sons de mise en marche et d'extinction. Lorsque le four est en "Marche", il émet un son lorsqu'il entre au mode de veille et lorsqu'il en sort. Lorsqu'il est à l'"Arrêt", aucun son ne retentit.
4. Si l'on appuie sur le bouton Annulation, les réglages sonores passent au niveau recommandé.
5. Appuyer sur SAUVEGARDER. Ceci ramène l'utilisateur à l'écran Horloge.

Apparence d'écran

1. À partir du menu de réglage, appuyer sur APPARENCE ÉCRAN.
2. Choisir une apparence d'écran assortie à l'apparence du four.
3. Appuyer sur SAUVEGARDER. Ceci ramène l'utilisateur à l'écran Horloge. Le message suivant apparaît : "Vous avez sélectionné un nouveau thème. Le four se réinitialisera dans un moment. Veuillez patienter." Le redémarrage du four avec ses nouveaux réglages prendra environ 1 minute.

Luminosité de l'écran

1. À partir du menu de réglage, appuyer sur LUMINOSITÉ DE L'ÉCRAN.
2. Utiliser la barre de défilement pour régler la luminosité de l'écran.
3. Sélectionner "Assombrir l'écran" ou "Éteindre l'écran" pour choisir le mode d'utilisation du four lorsqu'il a été en veille pendant 5 minutes.
4. Si l'on appuie sur le bouton Annulation, la luminosité de l'écran passe au niveau précédemment réglé et ramène l'utilisateur à l'écran d'affichage de l'horloge.
5. Appuyer sur SAUVEGARDER. Ceci ramène l'utilisateur à l'écran Horloge.

Langue

1. À partir du menu de réglage, appuyer sur LANGUE.
2. À partir du menu Langue, choisir la langue : English ou Français.
3. Si l'on appuie sur le bouton Annulation, la langue revient au réglage effectué par défaut.
4. Appuyer sur SAUVEGARDER. Ceci ramène l'utilisateur à l'écran Horloge.

Réglages régionaux

1. À partir du menu de réglage, appuyer sur RÉGLAGES RÉGIONAUX.
2. Sélectionner une unité de température : Fahrenheit ou Celsius. Alternner entre °F/°C.
3. Sélectionner OUI ou NON pour Heure avancée activée.
4. Appuyer sur SAUVEGARDER. Ceci ramène l'utilisateur à l'écran Horloge.

Autonettoyage

Ce réglage est désactivé pendant que l'on utilise le four. Voir la section "Autonettoyage CustomClean™ avec niveaux réglables et verrouillage automatique".

Mode Sabbat

Le mode Sabbat permet au four de rester sur un réglage de cuisson au four jusqu'à ce qu'on l'éteigne. Un mode Sabbat minuté peut également être programmé pour garder le four allumé seulement pendant une partie du mode Sabbat. Lorsque le mode Sabbat est réglé, seules les touches numériques et la touche de mise en marche fonctionnent. Aucun signal sonore ne retentit et l'afficheur n'indique pas de messages et n'affiche pas les changements de température. Les icônes de source de chaleur restent allumées sur l'afficheur du four lors du fonctionnement du mode Sabbat.

Lorsque la porte du four est ouverte ou fermée, la lampe du four ne s'allume et ne s'éteint pas et les brûleurs ne s'allument et ne s'éteignent pas immédiatement.

Si une panne de courant se produit lorsque le mode Sabbat est programmé, le four restera au mode Sabbat mais ne sera plus en mode actif de cuisson. Lorsque l'alimentation électrique est rétablie, l'affichage indique "MODE SABBAT - Panne de courant". Appuyer sur ANNULATION pour revenir à un mode de fonctionnement normal (pas de mode Sabbat, pas de cuisson).

AVERTISSEMENT



Risque de brûlures

Utiliser des mitaines de four pour retirer la sonde thermométrique.

Ne pas toucher l'élément du grill.

Le non-respect de ces instructions peut causer des brûlures.

REMARQUE : Si l'on appuie sur Mode Sabbat alors que la sonde cuisson est programmée, un message apparaît indiquant "Sonde non insérée". Retirer la sonde de cuisson et appuyer sur SUIVANT pour entrer au mode Sabbat. Appuyer sur ANNULATION pour revenir au mode de cuisson au four.

Utilisation du mode Sabbat :

Le mode Sabbat doit être activé chaque fois qu'il est utilisé.

1. À partir du menu de réglage, faire défiler la barre jusqu'à ce que Mode Sabbat apparaisse et appuyer sur MODE SABBAT.
2. À partir du menu Mode Sabbat, lire les instructions à l'écran et appuyer sur ARRÊT pour activer le mode Sabbat.

REMARQUE : Le mode Sabbat désactive l'arrêt au bout de douze heures. Toutes les lumières et les affichages sont désactivés de sorte qu'il n'y a aucune activité visible lorsque l'on ouvre la porte du four.

3. Sur les cuisinières de 48" [121,9 cm], sélectionner le four à régler en appuyant sur les boutons Four gauche ou Four droit.
4. Appuyer sur RÉGLAGE DE CUISSON. Pour sélectionner la température du four, utiliser le curseur pour entrer la température souhaitée ou appuyer sur les boutons -5°F (-1°C) ou +5°F (+1°C) pour augmenter ou diminuer la température. La température doit se situer entre 170°F (77°C) et 550°F (288°C), sans quoi une alerte de touche invalide retentit et la température par défaut apparaît à l'écran.
5. Appuyer sur SUIVANT.
6. Si désiré, régler la minuterie de durée de cuisson à l'aide du clavier numérique à l'écran. La durée ne peut pas dépasser 12 h. La cavité du four cesse de chauffer une fois la minuterie écoulee.
7. Appuyer sur SUIVANT.

8. Sur les cuisinières de 48" [121,9 cm], répéter les étapes 1 à 7 pour régler le deuxième four si désiré.

AVERTISSEMENT

Risque d'empoisonnement alimentaire

Ne pas laisser des aliments dans un four plus d'une heure avant ou après la cuisson.

Le non-respect de cette instruction peut causer un empoisonnement alimentaire ou une maladie.

9. (Facultatif) Pour régler une mise en marche différée, appuyer sur MISE EN MARCHÉ DIFFÉRÉE et régler l'heure souhaitée. Voir la section "Mise en marche différée" pour plus de renseignements.
10. Appuyer sur DÉMARRER pour commencer le préchauffage du four.
11. Appuyer sur CANCEL OVEN (annulation four) (CANCEL LEFT [annulation four gauche] ou CANCEL RIGHT [annulation four droit]) sur les modèles de 48" [121,9 cm]) pour éteindre le four.

Désactivation du mode Sabbat :

Le mode Sabbat est automatiquement désactivé une fois la minuterie de cuisson écoulee; il peut aussi être désactivé en appuyant sur Annulation. "Mode Sabbat : ARRÊT" apparaît sur l'écran. Pour programmer un nouveau programme, suivre les étapes 2 à 11 de la section "Utilisation du mode Sabbat".

Pour changer la température :

La température du four peut être modifiée lorsque le(s) four(s) est/sont en mode Sabbat. Aucun signal sonore ne retentira et l'affichage ne changera pas. Appuyer une fois sur les boutons -25°F (-14°C) ou +25°F (+14°C) pour chaque modification par tranche de 25°F (14°C) souhaitée.

REMARQUE : Sur les fours doubles, si les deux fours fonctionnent au mode Sabbat, la température de chaque four peut être modifiée indépendamment de l'autre. Appuyer sur les boutons -25°F (-14°C) ou +25°F (+14°C) correspondant au four souhaité.

Calibrage de température

1. À partir du menu de réglage, appuyer sur CALIBRAGE DE TEMPÉRATURE.
2. Sur les cuisinières de 48" (121,9 cm), sélectionner le four à calibrer en appuyant sur FOUR GAUCHE ou FOUR DROIT.
3. Appuyer sur SUIVANT.
4. Sélectionner l'écart de température. Appuyer sur le bouton -1° si le four semble trop chaud ou sur le bouton +1° si le four semble trop froid. La température du four peut être ajustée de +/- 35°F.
5. Appuyer sur SAUVEGARDER; le réglage est effectué.

Calibrage écran tactile

IMPORTANT : S'il est difficile d'appuyer sur les boutons à l'écran, il faudra peut-être calibrer l'écran tactile.

1. À partir du menu de réglage, appuyer sur CALIBRAGE ÉCRAN TACTILE.
2. Appuyer sur SUIVANT.
3. Il vous sera demandé d'appuyer, de maintenir enfoncées puis de relâcher les 3 cibles pour effectuer le calibrage.
4. Dans 10 secondes, il vous sera demandé d'appuyer à nouveau sur les mêmes cibles. Si le calibrage échoue, le processus est automatiquement ramené à l'étape 2.

5. Tester le calibrage en déplaçant le cercle autour de l'écran. S'assurer de bien atteindre tous les coins.
6. Appuyer sur ESSAYER À NOUVEAU pour effectuer de nouveau le calibrage.
7. Si l'on appuie sur ANNULATION, le calibrage de l'écran tactile est annulé.
8. Appuyer sur SAUVEGARDER. Ceci ramène l'utilisateur à l'écran Horloge.

Restaurer le paramétrage usine pour tous les réglages

1. À partir du menu de réglage, appuyer sur RÉINITIALISER TOUS LES RÉGLAGES.
2. Appuyer sur RÉINITIALISER ou ANNULATION.
3. Si l'on appuie sur Réinitialiser, les réglages suivants seront perdus : Modes les plus utilisés, Mes créations, Date/Heure, et Langue. Le guide de bienvenue apparaît pour aider l'utilisateur à réinitialiser ces réglages.

Informations de service

Pour plus de renseignements, voir la section "Assistance ou service".

1. À partir du menu de réglage, appuyer sur INFORMATIONS DE SERVICE.
2. Choisir MARCHE ou ARRÊT pour le mode Démo.
3. Si l'on appuie ANNULATION, l'Information service revient au réglage effectué par défaut.
4. Appuyer sur SAUVEGARDER. Ceci ramène l'utilisateur à l'écran Horloge.

UTILISATION DU FOUR

Des odeurs et de la fumée sont normales lorsque le four est utilisé les premières fois, ou lorsqu'il est très sale.

Lors de l'utilisation du four, les éléments de chauffage ne demeurent pas actifs mais fonctionnent par intermittence lors du fonctionnement du four.

IMPORTANT : La santé de certains oiseaux est très sensible aux émanations de fumée. L'exposition aux émanations peut entraîner la mort de certains oiseaux. Toujours déplacer les oiseaux dans une autre pièce fermée et bien aérée.

Papier d'aluminium

IMPORTANT : Pour éviter des dommages permanents au fini du fond du four, ne pas recouvrir le fond du four avec du papier d'aluminium ou un revêtement quelconque.

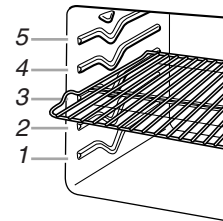
- Pour assurer une bonne circulation de l'air et des résultats de cuisson optimaux, ne pas recouvrir la grille entière de papier d'aluminium.
- Pour récupérer les renversements, placer une feuille de papier d'aluminium sur la grille sur laquelle le plat est placé. Veiller à ce que la feuille d'aluminium dépasse d'au moins 1/2" (1,3 cm) tout autour du plat et à ce que les bords soient relevés.

Positionnement des grilles et des ustensiles de cuisson au four

IMPORTANT : Afin d'éviter des dommages permanents au fini en porcelaine, ne pas placer d'aliments ou d'ustensiles de cuisson au four directement sur la porte ou sur le fond du four.

GRILLES

- Placer les grilles avant d'allumer le four.
- Ne pas installer les grilles lorsque des ustensiles de cuisson au four se trouvent dessus.
- S'assurer que les grilles sont d'aplomb.



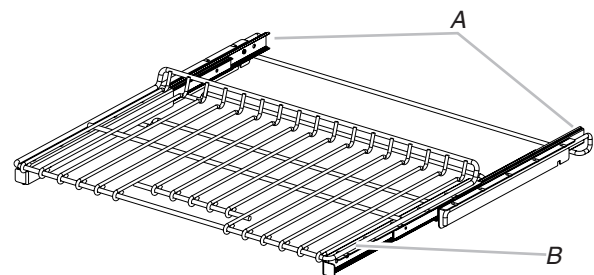
USTENSILES DE CUISSON AU FOUR

L'air chaud doit pouvoir circuler autour de l'aliment pour le cuire uniformément. Laisser 2" (5,0 cm) entre les ustensiles de cuisson au four et les parois du four.

Grille coulissante déployable

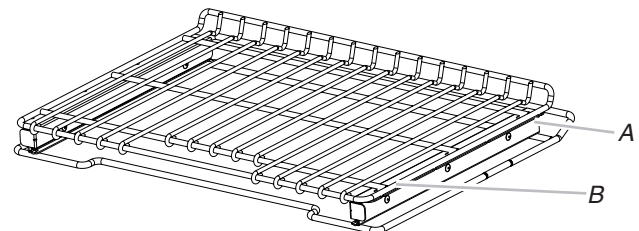
Cette grille coulissante déployable offre un accès facile à l'utilisateur pour le positionnement et le retrait des aliments. Elle peut être utilisée avec les positions de grille 1 à 4. La grille coulissante déployable ne convient pas à la position 5.

Position déployée



A. Grille coulissante déployable
B. Tablette coulissante

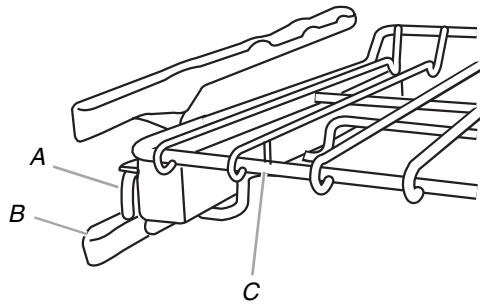
Position rétractée et emboîtée



A. Grille coulissante déployable
B. Tablette coulissante

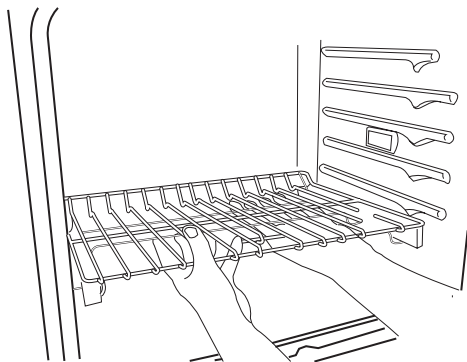
Dépose de la grille coulissante déployable :

1. Enfoncer la grille complètement en la faisant glisser jusqu'à ce qu'elle soit rétractée et emboîtée sur la tablette coulissante.
2. Avec les 2 mains, soulever le rebord avant de la grille et de la tablette coulissante en même temps. Les repousser lentement vers la paroi arrière du four jusqu'à ce que le rebord avant de la tablette coulissante repose sur les glissières de grille situées de chaque côté du four.
Le rebord avant de la grille et de la tablette coulissante doivent se trouver plus haut que le rebord arrière.



A. Tablette coulissante
B. Glissière de grille
C. Grille coulissante déployable

3. Avec les 2 mains, soulever l'arrière de la grille et de la tablette coulissante de façon à ce que l'avant et l'arrière soient horizontaux sur la glissière de grille.



4. Retirer la grille et la tablette coulissante.

Réinstallation de la grille coulissante déployable

1. Avec les 2 mains, saisir l'avant de la grille et de la tablette coulissante rétractées. Placer la grille et la tablette coulissante rétractées sur la glissière de grille.
2. Pousser lentement la grille et la tablette coulissante vers l'arrière du four jusqu'à ce que le rebord arrière de l'étagère coulissante retombe.
3. Tirer la grille et la tablette coulissante légèrement vers l'avant jusqu'à ce que le rebord avant retombe et que la tablette coulissante se trouve sur la glissière de grille.

Afin d'éviter d'endommager les tablettes coulissantes, ne pas placer plus de 25 lb (11,4 kg) sur la grille.

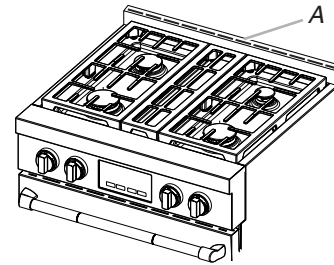
Ne pas nettoyer la grille coulissante déployable au lave-vaisselle. Ceci pourrait enlever le lubrifiant de la grille et affecter la capacité de celle-ci à glisser.

Voir la section "Nettoyage général" pour plus de renseignements.

Thermomètre à viande

Sur les modèles sans sonde thermométrique, se servir d'un thermomètre à viande pour vérifier si la viande, la volaille et le poisson ont atteint le degré de cuisson désiré. C'est la température interne qui indique le degré de cuisson et non l'apparence. Il n'y a pas de thermomètre à viande fourni avec cet appareil. Suivre les instructions du fabricant pour l'emploi d'un thermomètre à viande.

Évent du four



A. Évent du four

Ne pas obstruer ni couvrir l'évent du four car il permet à l'air chaud et à l'humidité de s'échapper du four. Le fait d'obstruer ou de couvrir l'évent entraîne une mauvaise circulation de l'air et affecte les résultats de cuisson et de nettoyage. Ne pas placer près de l'évent du four des produits en plastique, en papier ou d'autres articles qui pourraient fondre ou brûler.

Ventilateur de refroidissement

Le four possède un moteur de ventilateur de refroidissement à 2 vitesses.

Lorsque la température du four atteint 475°F (246°C) ou si le programme d'autonettoyage est en cours de fonctionnement, le ventilateur fonctionne à la vitesse maximale pour augmenter le flux d'air et mieux évacuer l'air plus chaud par le(s) évent(s) du four. On remarquera peut-être une augmentation du bruit tant que le four n'a pas refroidi.

Fonctions de cuisson

L'onglet Accueil permet un accès facile à Modes les plus utilisés et Assistants culinaires.

1. Appuyer sur l'onglet MODES pour passer au menu Modes.
2. À partir du menu Modes, choisir l'une des options suivantes : Cuisson au four, Cuisson sans préchauffage sur 1 grille, Cuisson au gril, Maintien au chaud, Cuisson au four par convection, Cuisson au four par convection avec préchauffage rapide, Cuisson au gril par convection, Cuisson de pâtisseries par convection, Rôtissage par convection, Rôtissage lent par convection, Convection véritable ou Levée.
3. Appuyer sur la touche Température pour passer à l'écran Température.

4. La température réglée par défaut et sa plage sont indiquées dans le tableau suivant. Pour modifier la température, déplacer le curseur pour entrer la température de cuisson souhaitée ou appuyer sur les boutons -5°F (-1°C) ou +5°F (+1°C).

Mode	Température par défaut	Cuisinière
Cuisson au four	350°F (177°C)	170 à 550°F (77 à 288°C)
Cuisson au gril	550°F (288°C)	450-550°F (232-238°C)
Maintien au chaud	170°F (77°C)	150 à 200°F (66 à 93°C)
Cuisson au four par conv.	325°F (163°C)	170 à 550°F (77 à 288°C)
Rôtissage par conv.	350°F (177°C)	170 à 550°F (77 à 288°C)
Rôtissage lent par conv. 4 h	275°F (135°C)	250-300°F (120-150°C)
Rôtissage lent par conv. 8 h	225°F (107°C)	200-250°F (93-120°C)
Rôtissage lent par conv. 12 h	185°F (85°C)	170-225°F (77-107°C)
Cuisson pâtisseries par conv.	325°F (163°C)	170 à 550°F (77 à 288°C)
Cuisson pizza surgelée par conv.	400°F (204°C)	170 à 550°F (77 à 288°C)
Levée	100°F (38°C)	
Levée rapide	200°F (93°C)	

5. (Facultatif) Pour la minuterie de cuisson, entrer une durée de cuisson à l'aide du clavier numérique à l'écran pour que la minuterie avertisse l'utilisateur de la fin de la cuisson. La durée ne peut pas dépasser 12 heures. Voir la section "Minuterie de cuisson" pour plus de renseignements.
6. (Facultatif) Pour garder les aliments au chaud une fois leur cuisson terminée, activer Maintien au chaud. Voir la section "Option Maintien au chaud" pour plus de renseignements.
7. (Facultatif) Pour régler une mise en marche différée, appuyer sur MISE EN MARCHÉ DIFFÉRÉE et régler l'heure souhaitée. Voir la section "Mise en marche différée" pour plus de renseignements.
8. Appuyer sur DÉMARRER pour démarrer la cuisson.
9. Appuyer sur CANCEL OVEN (annulation four) (CANCEL LEFT [annulation four gauche] ou CANCEL RIGHT [annulation four droit] sur les modèles de 48" [121,9 cm]) pour éteindre le four.

Mes créations

Mes créations permet de personnaliser les processus de cuisson. Lorsque l'on sélectionne Mes créations à partir du menu principal, une liste des créations existantes apparaît et la possibilité d'en créer d'autres est offerte.

1. À partir de l'onglet Accueil, appuyer sur MES CRÉATIONS. Si l'on n'a encore rien ajouté dans Mes créations, un écran de bienvenue apparaît, décrivant la caractéristique et permettant de créer une nouvelle entrée. On doit voir affiché : "Sauvegardez les réglages de recettes fréquemment utilisées pour un accès plus facile plus tard! Vous pouvez aussi lier plusieurs modes entre eux. Par exemple, créez une recette de lasagne favorite qui cuit au four pendant 40 minutes, puis au gril pendant 5 minutes à la fin de la cuisson pour faire dorer le fromage."

2. Appuyer sur CRÉER NOUVELLE.
3. Sélectionner le mode de cuisson désiré : Cuisson au four, Maintien au chaud, Cuisson au gril, Cuisson au four par convection, Rôtissage par convection, Cuisson par convection de pizza surgelée, Rôtissage lent par convection, Cuisson de pâtisseries par convection, Levée, ou Levée rapide.
4. Appuyer sur SUIVANT.
5. Sélectionner la température de cuisson souhaitée : Utiliser le curseur pour entrer la température de cuisson souhaitée ou appuyer sur les boutons -5°F (-1°C) ou +5°F (+1°C), puis appuyer sur SUIVANT.
6. Choisir le mode de contrôle de la cuisson : MINUTERIE (avertit l'utilisateur lorsque la durée prévue par la minuterie de cuisson est écoulée), SONDE (avertit l'utilisateur lorsqu'une température de sonde de cuisson cible est atteinte) ou AUCUN (pas d'avertissement).
7. Si l'on choisit Minuterie, entrer la durée de cuisson de la minuterie à l'aide du clavier numérique à l'écran puis appuyer sur SUIVANT.

⚠ AVERTISSEMENT



Risque de brûlures

Utiliser des mitaines de four pour retirer la sonde thermométrique.

Ne pas toucher l'élément du gril.

Le non-respect de ces instructions peut causer des brûlures.

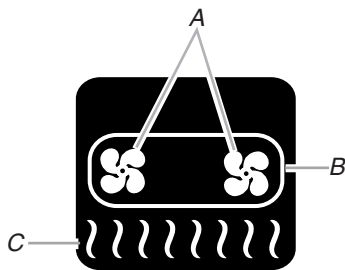
8. Le mode Sonde ne peut être utilisé que pour la Cuisson au four, la Cuisson au four par convection et le Rôtissage par convection. Si l'on sélectionne Sonde, choisir la température désirée interne de la sonde. Utiliser les boutons -5°F (-1°C) ou +5°F (+1°C) pour augmenter ou diminuer la température souhaitée, puis appuyer sur SUIVANT.
9. Appuyer sur AJOUTER ÉTAPE pour entrer une nouvelle étape.
10. Passer en revue les réglages. Appuyer sur MODIFIER pour entrer à nouveau les réglages ou appuyer sur EFFACER pour effacer l'étape immédiatement.
11. Appuyer sur SAUVEGARDER ou SAUVEGARDER et DÉMARRER.

Lorsque l'on sauvegarde le réglage, on peut entrer un nom pour l'aliment à l'aide d'un clavier à l'écran. Appuyer plusieurs fois sur une touche de clavier pour alterner entre les lettres. Par exemple, appuyer une fois sur "ABC" pour entrer "a," deux fois pour entrer "b" et trois fois pour entrer "c". Après 2 secondes, la lettre est acceptée et le curseur se place à la position suivante. Un nom ne peut pas dépasser 40 caractères, espaces compris. Appuyer sur EFFACER pour effacer la dernière lettre de la zone de texte.

12. Appuyer sur OK.
13. **REMARQUE :** Si l'on souhaite apporter des modifications après avoir sauvegardé les réglages, entrer dans Mes créations à partir de l'onglet Accueil. Sélectionner le nom du réglage à modifier puis appuyer sur MODIFIER au bas de l'écran. Sélectionner MODIFIER pour les étapes à modifier, puis entrer les nouveaux réglages.

Cuisson au four

Au cours de la cuisson au four, le brûleur de cuisson au four s'allume et s'éteint par intermittence pour maintenir le four à température constante. La cuisson au four est utilisée pour cuire jusqu'à 2 grilles d'aliments. Pour de meilleurs résultats, laisser le four préchauffer avant de placer les aliments dans le four.



A. Ventilateurs de convection
B. Élément de convection
C. Brûleur de cuisson au four

Si la porte du four est ouverte pendant la cuisson au four, le brûleur de cuisson au four s'éteint environ 30 secondes après l'ouverture de la porte. Il se mettra de nouveau en marche environ 30 secondes après la fermeture de la porte.

Avant d'utiliser la fonction de cuisson au four :

Avant d'utiliser la fonction de cuisson au four, voir la section "Positionnement des grilles et des ustensiles de cuisson au four" ainsi que les conseils suivants pour le positionnement des grilles.

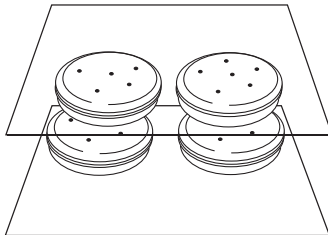
Positions des grilles

Cuisson au four sur 1 grille : 3

Cuisson au four sur 2 grilles : 2 et 4

Pour la viande et la volaille : 2

Pour des résultats optimaux lors de la cuisson au four de gâteaux sur 2 grilles, utiliser les grilles 4 et 2. Placer les gâteaux sur les grilles tel qu'indiqué.



Utilisation de la cuisson au four :

1. Appuyer sur **MODES** pour passer au menu Modes.
2. À partir du menu Modes, appuyer sur **CUISSON AU FOUR**.
3. Après avoir appuyé sur Cuisson au four, l'utilisateur passe à l'écran Température. On peut aussi appuyer sur l'onglet Température pour passer à l'écran Température.

Utiliser le curseur pour entrer la température de cuisson désirée ou appuyer sur les boutons -5°F (-1°C) ou $+5^{\circ}\text{F}$ ($+1^{\circ}\text{C}$). La température doit se situer entre 170°F (77°C) et 550°F (288°C).

4. Appuyer sur **DÉMARRER** pour préchauffer le four.

OU

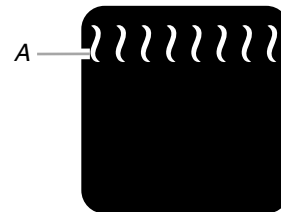
5. Si l'on souhaite programmer la durée de cuisson, appuyer sur **MINUTERIE NON RÉGLÉE** pour entrer dans l'écran Minuterie de cuisson. Entrer une durée de cuisson à l'aide du clavier numérique à l'écran pour que la minuterie avertisse l'utilisateur de la fin de la cuisson. La durée de cuisson ne peut pas dépasser 12 h. Le four s'éteindra à la fin de la durée de cuisson.

6. (Facultatif) Pour maintenir les aliments au chaud une fois la minuterie de cuisson écoulee, appuyer sur **MAINTIEN AU CHAUD** à partir de l'écran Minuterie de cuisson. Voir la section "Option Keep Warm™" pour plus de renseignements.
7. (Facultatif) Pour régler une mise en marche différée avec une durée de cuisson, appuyer sur l'écran **MINUTERIE NON RÉGLÉE/MINUTERIE DE CUISSON** et entrer la durée de cuisson désirée. Sélectionner **MISE EN MARCHÉ DIFFÉRÉE**, régler l'heure de mise en marche désirée et appuyer sur **RÉGLER MISE EN MARCHÉ DIFFÉRÉE**. Pour régler une mise en marche différée uniquement, appuyer sur **MISE EN MARCHÉ DIFFÉRÉE** à partir de l'onglet Température, régler la durée désirée et appuyer sur **RÉGLER MISE EN MARCHÉ DIFFÉRÉE**.
8. Appuyer sur **DÉMARRER** pour commencer la cuisson ou pour activer la mise en marche différée.
9. Pour changer de mode, de température ou de durée de cuisson alors que le four est actif, appuyer sur l'onglet approprié. Effectuer la nouvelle sélection et appuyer sur **OK**.
10. Appuyer sur **CANCEL OVEN** (annulation four) (**CANCEL LEFT** [annulation four gauche] ou **CANCEL RIGHT** [annulation four droit] sur les modèles de 48" [121,9 cm]) pour éteindre le four.

Cuisson au grill

REMARQUE : Sur les modèles de 48" (121,9 cm), cette caractéristique n'est pas disponible sur le four de gauche.

La cuisson au grill utilise la chaleur radiante directe pour cuire les aliments.



A. Cuisson au grill

Le brûleur de cuisson au grill s'allume et s'éteint par intermittence pour maintenir la température du four.

Si la porte du four est ouverte durant la cuisson au grill, le brûleur de cuisson au grill s'éteindra après environ 30 secondes. Lorsqu'on ferme la porte du four, le brûleur de cuisson au grill se rallume environ 30 secondes après la fermeture de la porte.

- Pour de meilleurs résultats, utiliser une lèchefrite et une grille. La lèchefrite est conçue pour laisser s'écouler les jus et aider à éviter les éclaboussures et la fumée.

Il est possible de commander un ensemble de lèchefrite. Voir la section "Assistance ou service" pour commander. Demander la pièce numéro W10123240.

- Pour un écoulement approprié, ne pas couvrir la grille de papier d'aluminium. Le fond de la lèchefrite peut être garni de papier d'aluminium pour en faciliter le nettoyage.
- Enlever l'excès de graisse pour réduire les éclaboussures. Entailler le gras résiduel sur les côtés pour éviter que la viande ne se recroqueville.
- Sortir la grille jusqu'à la butée d'arrêt avant de tourner ou d'enlever les aliments. Utiliser une pince pour tourner les aliments et éviter la perte de jus. Il est possible qu'il ne soit pas nécessaire de tourner les coupes très minces de poisson, de volaille ou de viande.
- Après une cuisson au grill, retirer du four le plat contenant les aliments. Ce qui reste au fond de la lèchefrite cuira si on la laisse dans le four encore chaud, rendant le nettoyage plus difficile.

Utilisation de la cuisson au grill :

Avant la cuisson au grill, placer la grille tel qu'indiqué dans le tableau de cuisson au grill.

Pendant la cuisson au grill, le changement de température permet un contrôle plus précis. Plus la température est basse, plus la cuisson est lente. Les morceaux épais et de forme irrégulière de viande, de poisson et de volaille cuisent mieux à des températures de cuisson au grill plus basses.

Placer l'aliment sur la grille de la lèchefrite, puis placer celle-ci au centre de la grille du four, avec le côté le plus long de la lèchefrite parallèle à la porte du four. Fermer la porte. Préchauffer le four pendant 3 à 5 minutes avant de placer les aliments dans le four.

1. Placer les aliments dans le four.
2. Appuyer sur la touche MODES pour passer au menu Modes.
3. Appuyer sur CUISSON AU GRIL.
4. Appuyer sur la touche Température pour passer à l'écran Température.

Utiliser le curseur pour entrer la température de cuisson désirée ou appuyer sur les boutons -5°F (-1°C) ou +5°F (+1°C). La température doit se situer entre 450°F (232°C) et 550°F (288°C).

5. Appuyer sur DÉMARRER pour entamer la cuisson.
OU
6. Si l'on souhaite programmer la durée de cuisson, appuyer sur MINUTERIE NON RÉGLÉE pour entrer dans l'écran Minuterie de cuisson. Entrer une durée de cuisson à l'aide du clavier numérique à l'écran pour que la minuterie avertisse l'utilisateur de la fin de la cuisson. La durée de cuisson ne peut pas dépasser 12 h. Le four s'éteindra à la fin de la durée de cuisson.
7. (Facultatif) Pour maintenir les aliments au chaud une fois la minuterie de cuisson écoulee, appuyer sur MAINTIEN AU CHAUD à partir de l'écran Minuterie de cuisson. Voir la section "Option Keep Warm™" pour plus de renseignements.
8. (Facultatif) Pour régler une mise en marche différée avec une durée de cuisson, appuyer sur l'écran MINUTERIE NON RÉGLÉE/MINUTERIE DE CUISSON et entrer la durée de cuisson désirée. Sélectionner MISE EN MARCHÉ DIFFÉRÉE, régler l'heure de mise en marche désirée et appuyer sur RÉGLER MISE EN MARCHÉ DIFFÉRÉE. Pour régler une mise en marche différée uniquement, appuyer sur MISE EN MARCHÉ DIFFÉRÉE à partir de l'onglet Température, régler la durée désirée et appuyer sur RÉGLER MISE EN MARCHÉ DIFFÉRÉE.
9. Appuyer sur DÉMARRER pour commencer la cuisson ou pour activer la mise en marche différée.
10. Pour changer de mode, de température ou de durée de cuisson alors que le four est actif, appuyer sur l'onglet approprié. Effectuer la nouvelle sélection et appuyer sur OK.
11. Appuyer sur CANCEL OVEN (annulation four) (CANCEL CANCEL RIGHT [annulation four droit] sur les modèles de 48" [121,9 cm]) pour éteindre le four.

TABLEAU DE CUISSON AU GRIL

Pour de meilleurs résultats, suivre le tableau ci-dessous. Pour le schéma, voir la section "Positionnement des grilles et ustensiles de cuisson au four".

Pour la plupart des aliments, on recommande un réglage de température de 550°F (288°C). Les morceaux de poulet non désossés doivent être cuits au four à 450°F (232°C).

Les durées de cuisson sont citées à titre indicatif seulement; on peut les ajuster en fonction des aliments et des goûts personnels. Préchauffer le four si la recette l'exige.

ALIMENTS/RÉGLAGE DE TEMPÉRATURE/ POSITION DE LA GRILLE	DURÉE DE CUISSON (en minutes)
Boeuf/550°F (287,7°C)	
Steak 1" à 1¼" (2,5 cm à 3 cm) d'épaisseur	
saignant à point	15-18
à point	18-21
bien cuit	21-25
Porc/550°F (287,7°C)	
Côtelettes de porc 1" (2,5 cm) d'épaisseur	
à point	18-23
Agneau/550°F (287,7°C)	
Côtelettes d'agneau 1" (2,5 cm) d'épaisseur	
saignant à point	15-18
à point	18-23
Viande hachée/550°F (287,7°C)	
Boeuf haché, galettes de porc ou d'agneau ¾" (2 cm) d'épaisseur	
bien cuit	14-17
Poulet/450°F (232,2°C)	
Poulet morceaux avec os (2" à 2½" [5 cm à 6,3 cm])	39-42
morceaux désossés (4 oz [113 g])	14-18
Poisson/450°F (232,2°C)	
Poisson Filets ½" à ¾" (1,25 à 2 cm) d'épaisseur	9-12
Steaks de 1" (2,5 cm) d'épaisseur	19-24

Option Keep Warm™

AVERTISSEMENT

Risque d'empoisonnement alimentaire

Ne pas laisser des aliments dans un four plus d'une heure avant ou après la cuisson.

Le non-respect de cette instruction peut causer un empoisonnement alimentaire ou une maladie.

IMPORTANT : Les aliments doivent être à la température de service avant d'être placés dans le four chaud. Les aliments peuvent être gardés au four jusqu'à une heure; toutefois, les pains et les mets en sauce peuvent devenir trop secs s'ils sont laissés dans le four durant la fonction Keep Warm™ (maintien au chaud).

L'option Keep Warm™ permet de garder les aliments cuits chauds à une température de service. Elle peut aussi être utilisée à la fin d'une cuisson minutée.

Utilisation de la fonction Keep Warm™ (Maintien au chaud) :

1. Placer les aliments dans le four.
2. Appuyer sur MODES pour passer au menu Modes.
3. À partir du menu Modes, appuyer sur MAINTIEN AU CHAUD.
4. Appuyer sur la touche Température pour passer à l'écran Température.

Utiliser le curseur pour entrer la température de cuisson souhaitée ou appuyer sur les boutons -5°F (-1°C) ou +5°F (+1°C). La température doit se situer entre 150°F (66°C) et 200°F (93°C).

5. Appuyer sur DÉMARRER pour démarrer le programme de maintien au chaud.
6. Si l'on souhaite la fonction de Durée de cuisson, Maintien au chaud ou Mise en marche différée, appuyer sur MINUTERIE NON RÉGLÉE pour passer à l'écran Durée de cuisson ou appuyer sur le bouton Mise en marche différée à partir de l'onglet Température.

Entrer une durée de cuisson à l'aide du clavier numérique à l'écran pour que la minuterie avertisse l'utilisateur de la fin de la cuisson. La durée de cuisson ne peut pas dépasser 12:00:00.

7. (Facultatif) Pour régler une mise en marche différée, appuyer sur MISE EN MARCHE DIFFÉRÉE et régler l'heure souhaitée. Voir la section "Mise en marche différée" pour plus de renseignements.
8. Appuyer sur DÉMARRER pour démarrer le programme de maintien au chaud.
9. Appuyer sur CANCEL (annulation) (CANCEL LEFT [annulation four gauche] ou CANCEL RIGHT [annulation four droit] sur les modèles de 48" [121,9 cm]) pour éteindre le four.

Utilisation de la fonction Keep Warm™ (Maintien au chaud) à la fin d'un programme de cuisson :

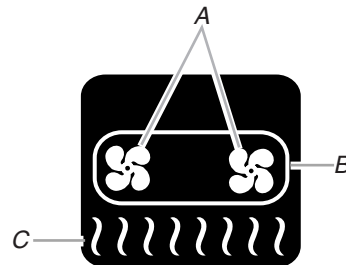
On peut régler la fonction de maintien au chaud de façon à ce qu'elle démarre à la fin d'un programme de cuisson. Activer Maintien au chaud lorsqu'on règle le programme de cuisson.

1. Durant le réglage d'un programme de cuisson, appuyer sur l'écran MINUTERIE NON RÉGLÉE/DURÉE DE CUISSON.
2. Appuyer sur MAINTIEN AU CHAUD LORSQUE TERMINÉ puis passer à MARCHE.
Le four entre automatiquement au mode de maintien au chaud lorsque la minuterie de cuisson s'arrête.
3. Si l'on souhaite modifier la température de maintien au chaud lors du programme de maintien au chaud, appuyer sur la température programmée au sommet de l'écran. Ajuster la température et appuyer sur OK.
4. Pour modifier un mode, appuyer sur le mode programmé au sommet de l'écran. Sélectionner le nouveau mode et appuyer sur OK.
5. Appuyer sur CANCEL (annulation) (CANCEL LEFT [annulation four gauche] ou CANCEL RIGHT [annulation four droit] sur les modèles de 48" [121,9 cm]) pour éteindre le four.

Cuisson au four par convection

L'élément de convection se trouve dans la partie arrière de la cavité du four; son fonctionnement est associé à celui des ventilateurs de convection pour assurer un chauffage efficace et équilibré.

REMARQUE : Sur les modèles de 48" (121,9 cm), la cavité du four de gauche ne possède qu'un ventilateur de convection et pas d'élément de convection.



A. Ventilateurs de convection
B. Élément de convection
C. Brûleur de cuisson au four

La cuisson au four par convection peut être utilisée pour cuire des gâteaux, des mets en sauce sans couvercle et des plats surgelés ou cuisinés, ainsi que des aliments sur plusieurs grilles. Si le four est plein, il faudra peut-être allonger la durée de cuisson.

Lors de la cuisson au four d'un repas comportant plusieurs types différents d'aliments, veiller à choisir des recettes nécessitant des températures semblables. Prévoir un espace d'au moins 1" (2,5 cm) entre l'ustensile de cuisson et les parois du four.

Lors du préchauffage pour la cuisson au four par convection, l'élément de convection et brûleur de cuisson au four chauffent la cavité du four. Après le préchauffage, l'élément de convection, le brûleur de cuisson au four et les ventilateurs fonctionnent par intermittence à intervalles réguliers pour maintenir la température du four.

Si la porte du four est ouverte pendant la cuisson au four par convection, les ventilateurs s'éteignent immédiatement lorsque la porte est ouverte et s'allument immédiatement lorsque la porte est fermée. L'élément de convection et le brûleur de cuisson au four s'éteignent environ 30 secondes après l'ouverture de la porte. Ils se rallument environ 30 secondes après la fermeture de la porte.

- Réduire la température de la recette de 25°F (14°C). Vérifier les aliments au moment indiqué sur l'emballage ou dans la recette, en choisissant le plus court des deux.
- Choisir des tôles à biscuits sans rebords pour que l'air puisse circuler librement autour des aliments.

Avant d'utiliser la cuisson au four par convection :

Avant d'utiliser la cuisson au four par convection, voir la section "Positionnement des grilles et des ustensiles de cuisson au four" ainsi que les conseils suivants pour le positionnement des grilles.

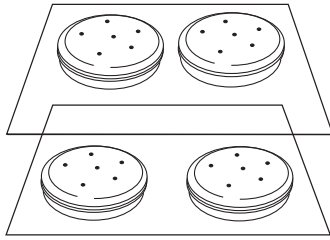
Positions des grilles

Cuisson au four sur 1 grille : 3

Cuisson au four sur 2 grilles : 2 et 4 ou 1 et 4

Cuisson au four sur 3 grilles : 1, 3 et 5

Pour des résultats optimaux lors de la cuisson au four de gâteaux sur 2 grilles, utiliser les grilles 2 et 4. Placer les gâteaux sur les grilles tel qu'indiqué.



Utilisation de la cuisson au four par convection :

1. Appuyer sur **MODES** pour passer au menu Modes.
2. À partir du menu Modes, appuyer sur **CUISSON AU FOUR PAR CONVECTION**.
3. Appuyer sur la touche **Température** pour passer à l'écran Température.

Utiliser le curseur pour entrer la température de cuisson désirée ou appuyer sur les boutons -5°F (-1°C) ou $+5^{\circ}\text{F}$ ($+1^{\circ}\text{C}$). La température doit se situer entre 170°F (77°C) et 500°F (260°C).

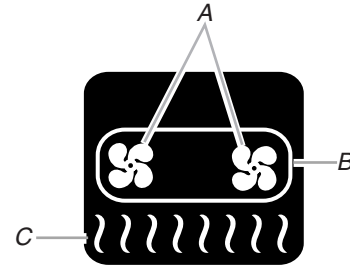
4. Appuyez sur **DÉMARRER** pour préchauffer le four.

OU

5. Si l'on souhaite programmer la durée de cuisson, appuyer sur **MINUTERIE NON RÉGLÉE** pour entrer dans l'écran Minuterie de cuisson. Entrer une durée de cuisson à l'aide du clavier numérique à l'écran pour que la minuterie avertisse l'utilisateur de la fin de la cuisson. La durée de cuisson ne peut pas dépasser 12 h. Le four s'éteindra à la fin de la durée de cuisson.
6. (Facultatif) Pour maintenir les aliments au chaud une fois la minuterie de cuisson écoulee, appuyer sur **MAINTIEN AU CHAUD** à partir de l'écran Minuterie de cuisson. Voir la section "Option Keep Warm™" pour plus de renseignements.
7. (Facultatif) Pour régler une mise en marche différée avec une durée de cuisson, appuyer sur l'écran **MINUTERIE NON RÉGLÉE/MINUTERIE DE CUISSON** et entrer la durée de cuisson désirée. Sélectionner **MISE EN MARCHÉ DIFFÉRÉE**, régler l'heure de mise en marche désirée et appuyer sur **RÉGLER MISE EN MARCHÉ DIFFÉRÉE**. Pour régler une mise en marche différée uniquement, appuyer sur **MISE EN MARCHÉ DIFFÉRÉE** à partir de l'onglet Température, régler la durée désirée et appuyer sur **RÉGLER MISE EN MARCHÉ DIFFÉRÉE**.
8. Appuyer sur **DÉMARRER** pour commencer la cuisson ou pour activer la mise en marche différée.
9. Pour changer de mode, de température ou de durée de cuisson alors que le four est actif, appuyer sur l'onglet approprié. Effectuer la nouvelle sélection et appuyer sur **OK**.
10. Appuyer sur **CANCEL OVEN** (annulation four) (**CANCEL LEFT** [annulation four gauche] ou **CANCEL RIGHT** [annulation four droit]) sur les modèles de 48" [121,9 cm]) pour éteindre le four.

Cuisson de pâtisseries par convection

La cuisson de pâtisseries par convection est idéale pour la cuisson au four d'articles sur 1, 2 ou 3 grilles tels que les chaussons, les choux à la crème et les croissants.



A. Ventilateurs de convection
B. Élément de convection
C. Brûleur de cuisson au four

Avant d'utiliser la cuisson de pâtisseries par convection :

Avant d'utiliser la cuisson de pâtisseries par convection, voir la section "Positionnement des grilles et des ustensiles de cuisson au four" ainsi que les conseils suivants pour le positionnement des grilles.

Cuisson au four sur 1 grille : 3

Cuisson au four sur 2 grilles : 2 et 4 ou 1 et 4

Cuisson au four sur 3 grilles : 1, 3 et 5

Utilisation de la cuisson de pâtisseries par convection :

1. Appuyer sur la touche **MODES** pour passer au menu Modes.
2. À partir du menu Modes, appuyer sur **CUISSON PAR CONVECTION DE PÂTISSERIES**.
3. Appuyer sur la touche **Température** pour passer à l'écran Température.

Utiliser le curseur pour entrer la température de cuisson désirée ou appuyer sur les boutons -5°F (-1°C) ou $+5^{\circ}\text{F}$ ($+1^{\circ}\text{C}$). La température doit se situer entre 170°F (77°C) et 500°F (260°C).

4. Appuyer sur **DÉMARRER** pour préchauffer le four.

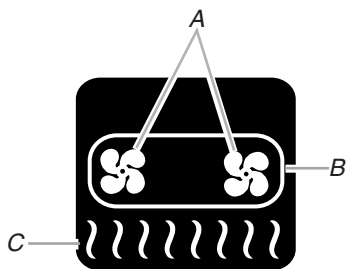
OU

5. Si l'on souhaite programmer la durée de cuisson, appuyer sur **MINUTERIE NON RÉGLÉE** pour entrer dans l'écran Minuterie de cuisson. Entrer une durée de cuisson à l'aide du clavier numérique à l'écran pour que la minuterie avertisse l'utilisateur de la fin de la cuisson. La durée de cuisson ne peut pas dépasser 12 h. Le four s'éteindra à la fin de la durée de cuisson.
6. (Facultatif) Pour maintenir les aliments au chaud une fois la minuterie de cuisson écoulee, appuyer sur **MAINTIEN AU CHAUD** à partir de l'écran Minuterie de cuisson. Voir la section "Option Keep Warm™" pour plus de renseignements.
7. (Facultatif) Pour régler une mise en marche différée avec une durée de cuisson, appuyer sur l'écran **MINUTERIE NON RÉGLÉE/MINUTERIE DE CUISSON** et entrer la durée de cuisson désirée. Sélectionner **MISE EN MARCHÉ DIFFÉRÉE**, régler l'heure de mise en marche désirée et appuyer sur **RÉGLER MISE EN MARCHÉ DIFFÉRÉE**. Pour régler une mise en marche différée uniquement, appuyer sur **MISE EN MARCHÉ DIFFÉRÉE** à partir de l'onglet Température, régler la durée désirée et appuyer sur **RÉGLER MISE EN MARCHÉ DIFFÉRÉE**.
8. Appuyer sur **DÉMARRER** pour commencer la cuisson ou pour activer la mise en marche différée.

- Pour changer de mode, de température ou de durée de cuisson alors que le four est actif, appuyer sur l'onglet approprié. Effectuer la nouvelle sélection et appuyer sur OK.
- Appuyer sur CANCEL OVEN (annulation four) (CANCEL LEFT [annulation four gauche] ou CANCEL RIGHT [annulation four droit]) sur les modèles de 48" [121,9 cm]) pour éteindre le four.

Rôtissage par convection

Le rôtissage par convection peut être utilisé pour le rôtissage des viandes, de la volaille et des légumes. Durant le rôtissage par convection, l'élément de convection et le brûleur de cuisson au four fonctionnent par intermittence à intervalles réguliers pour maintenir le four à température constante, tandis que le ventilateur fait circuler l'air chaud de façon continue. Il n'est pas nécessaire de réduire la température lorsqu'on utilise le rôtissage par convection.



A. Ventilateurs de convection
B. Élément de convection
C. Brûleur de cuisson au four

Si la porte du four est ouverte pendant le rôtissage par convection, les ventilateurs s'éteignent immédiatement lorsqu'on ouvre la porte et se rallument dès qu'on la referme. L'élément de convection et le brûleur de cuisson au four s'éteignent environ 30 secondes après l'ouverture de la porte. Ils se remettent de nouveau en marche environ 30 secondes après la fermeture de la porte.

- La durée de cuisson doit être réduite de 15 à 30 %. Il n'est pas nécessaire de réduire la température du four.
- Utiliser la grille 1, 2 ou 3.
- Pour des résultats optimaux, utiliser la lèchefrite, la grille de lèchefrite et la grille de rôtissage conçues pour la récupération des jus de cuisson et qui aident à éviter les éclaboussures et la fumée.

Il est possible de commander un ensemble de lèchefrite. Voir la section "Assistance ou service" pour commander. Demander la pièce numéro W10123240.

Utilisation du rôtissage par convection :

Avant d'utiliser le rôtissage par convection, voir la section "Positionnement des grilles et ustensiles de cuisson au four". Il n'est pas nécessaire de préchauffer le four avant d'y placer l'aliment, sauf si la recette le recommande.

Utiliser la grille de rôtissage au-dessus de la lèchefrite et de sa grille. Ce positionnement garde l'aliment au-dessus de la grille et permet la libre circulation de l'air autour de toutes les surfaces.

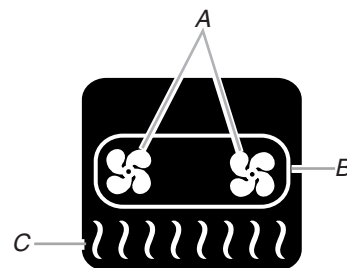
- Placer les aliments dans le four si aucun préchauffage n'est recommandé.
- Appuyer sur MODES pour passer au menu Modes.
- À partir du menu Modes, appuyer sur RÔTISSAGE PAR CONVECTION.
- Appuyer sur la touche Température pour passer à l'écran Température.

Utiliser le curseur pour entrer la température de cuisson désirée ou appuyer sur les boutons -5°F (-1°C) ou +5°F (+1°C). La température doit se situer entre 170°F (77°C) et 500°F (260°C).

- Appuyer sur DÉMARRER pour démarrer la cuisson ou le préchauffage.
OU
- Si l'on souhaite programmer la durée de cuisson, appuyer sur MINUTERIE NON RÉGLÉE pour entrer dans l'écran Minuterie de cuisson. Entrer une durée de cuisson à l'aide du clavier numérique à l'écran pour que la minuterie avertisse l'utilisateur de la fin de la cuisson. La durée de cuisson ne peut pas dépasser 12 h. Le four s'éteindra à la fin de la durée de cuisson.
- (Facultatif) Pour maintenir les aliments au chaud une fois la minuterie de cuisson écoulee, appuyer sur MAINTIEN AU CHAUD à partir de l'écran Minuterie de cuisson. Voir la section "Option Keep Warm™" pour plus de renseignements.
- (Facultatif) Pour régler une mise en marche différée avec une durée de cuisson, appuyer sur l'écran MINUTERIE NON RÉGLÉE/MINUTERIE DE CUISSON et entrer la durée de cuisson désirée. Sélectionner MISE EN MARCHÉ DIFFÉRÉE, régler l'heure de mise en marche désirée et appuyer sur RÉGLER MISE EN MARCHÉ DIFFÉRÉE. Pour régler une mise en marche différée uniquement, appuyer sur MISE EN MARCHÉ DIFFÉRÉE à partir de l'onglet Température, régler la durée désirée et appuyer sur RÉGLER MISE EN MARCHÉ DIFFÉRÉE.
- Appuyer sur DÉMARRER pour commencer la cuisson ou pour activer la mise en marche différée.
- Pour changer de mode, de température ou de durée de cuisson alors que le four est actif, appuyer sur l'onglet approprié. Effectuer la nouvelle sélection et appuyer sur OK.
- Appuyer sur CANCEL OVEN (annulation four) (CANCEL LEFT [annulation four gauche] ou CANCEL RIGHT [annulation four droit]) sur les modèles de 48" [121,9 cm]) pour éteindre le four.

Rôtissage lent par convection

Le rôtissage lent par convection est idéal pour les aliments tels que le boeuf, la volaille et le porc. Ce programme cuit les aliments à de faibles températures pendant de longues périodes. Il n'est pas nécessaire de réduire la température lorsqu'on utilise le rôtissage lent par convection. Les aliments peuvent être cuits pendant une durée maximale de 12 heures. Une plage de températures doit être sélectionnée en fonction de la durée choisie. Voir le tableau suivant.



A. Ventilateurs de convection
B. Élément de convection
C. Brûleur de cuisson au four

Durée de cuisson	Température par défaut	Plage de températures
4 heures	275°F (135°C)	250-300°F (120-150°C)
8 heures	225°F (107°C)	200-250°F (93-120°C)
12 heures	185°F (85°C)	170-225°F (77-107°C)

- Les aliments doivent être complètement décongelés.
- Couvrir les aliments pour qu'ils restent tendres.

- Avant un rôtissage lent, on peut saisir la viande dans une poêle ou la saisir au grill des deux côtés jusqu'à ce qu'elle soit dorée, pour en améliorer le goût et la tendreté.
- Pour de meilleurs résultats, utiliser la position de grille 2.

Utilisation du rôtissage lent par convection :

Avant d'utiliser le rôtissage lent par convection, voir la section "Positionnement des grilles et ustensiles de cuisson au four".

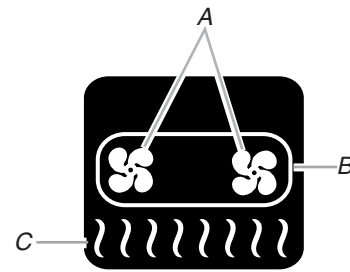
1. Placer les aliments dans le four.
2. Appuyer sur **MODES** pour passer au menu Modes.
3. À partir du menu Modes, appuyer sur **RÔTISSAGE LENT PAR CONVECTION**.
4. Appuyer sur la touche **Température** pour passer à l'écran **Température**.

Utiliser le curseur pour entrer la température de cuisson désirée ou appuyer sur les boutons **-5°F (-1°C)** ou **+5°F (+1°C)**. La température peut se situer entre **170°F (77°C)** et **300°F (150°C)**. Le choix de plages de température proposé est basé sur la durée de cuisson sélectionnée.

5. Appuyer sur **DÉMARRER** pour entamer la cuisson.

OU

6. Si l'on souhaite programmer la durée de cuisson, appuyer sur **MINUTERIE NON RÉGLÉE** pour entrer dans l'écran **Minuterie de cuisson**. Entrer une durée de cuisson à l'aide du clavier numérique à l'écran pour que la minuterie avertisse l'utilisateur de la fin de la cuisson. La durée de cuisson ne peut pas dépasser 12 h. Le four s'éteindra à la fin de la durée de cuisson.
7. (Facultatif) Pour maintenir les aliments au chaud une fois la minuterie de cuisson écoulee, appuyer sur **MAINTIEN AU CHAUD** à partir de l'écran **Minuterie de cuisson**. Voir la section "Option Keep Warm™" pour plus de renseignements.
8. (Facultatif) Pour régler une mise en marche différée avec une durée de cuisson, appuyer sur l'écran **MINUTERIE NON RÉGLÉE/MINUTERIE DE CUISSON** et entrer la durée de cuisson désirée. Sélectionner **MISE EN MARCHÉ DIFFÉRÉE**, régler l'heure de mise en marche désirée et appuyer sur **RÉGLER MISE EN MARCHÉ DIFFÉRÉE**. Pour régler une mise en marche différée uniquement, appuyer sur **MISE EN MARCHÉ DIFFÉRÉE** à partir de l'onglet **Température**, régler la durée désirée et appuyer sur **RÉGLER MISE EN MARCHÉ DIFFÉRÉE**.
9. Appuyer sur **DÉMARRER** pour commencer la cuisson ou pour activer la mise en marche différée.
10. Pour changer de mode, de température ou de durée de cuisson alors que le four est actif, appuyer sur l'onglet approprié. Effectuer la nouvelle sélection et appuyer sur **OK**.
11. Appuyer sur **CANCEL OVEN** (annulation four) (**CANCEL LEFT** [annulation four gauche] ou **CANCEL RIGHT** [annulation four droit]) sur les modèles de 48" [121,9 cm]) pour éteindre le four.



A. Ventilateur de convection
B. Élément de convection
C. Brûleur de cuisson au four

Si la porte du four est ouverte durant la cuisson par convection de pizza surgelée, les ventilateurs s'éteignent immédiatement. Ils se rallument dès que l'on referme la porte. L'élément de convection et le brûleur de cuisson au four s'éteignent environ 30 secondes après l'ouverture de la porte.

- La température de cuisson au four doit être réduite de 25°F (14°C) par rapport à la température recommandée sur l'emballage.
- La durée de cuisson au four peut être légèrement inférieure à celle qui est indiquée sur l'emballage, selon la pizza.
- On peut utiliser une pierre à pizza avec le mode de cuisson par convection de pizza surgelée.
- Utilisation de la cuisson par convection de pizza surgelée avec cuisson au four sur 1 grille.

Utilisation du mode de cuisson par convection de pizza surgelée :

Avant d'utiliser la cuisson par convection de pizza surgelée, voir la section "Positionnement des grilles et ustensiles de cuisson au four". Suivre les instructions de l'emballage en réduisant la température de cuisson au four de 25°F (14°C). S'il n'y a aucune recommandation de positionnement de grille, utiliser la grille 3.

Laisser le four préchauffer complètement avant de placer la pizza dans le four.

1. Appuyer sur **MODES** pour passer au menu Modes.
2. À partir du menu Modes, appuyer sur **PIZZA SURGELÉE PAR CVT**. (Appuyer sur la flèche vers le bas si nécessaire pour voir plus de modes disponibles).
3. Appuyer sur la touche **Température** pour passer à l'écran **Température**.

Utiliser le curseur pour entrer la température de cuisson désirée ou appuyer sur les boutons **-5°F (-1°C)** ou **+5°F (+1°C)**. La température doit se situer entre **170°F (77°C)** et **550°F (288°C)**.

4. Appuyer sur **DÉMARRER** pour préchauffer le four.
Placer la pizza surgelée dans le four lorsque le signal sonore de préchauffage retentit.

OU

5. Si l'on souhaite programmer une durée de cuisson ou utiliser la fonction **Maintien au chaud** ou **Mise en marche différée**, appuyer sur **MINUTERIE NON RÉGLÉE** pour passer à l'écran **Durée de cuisson** ou appuyer sur **MISE EN MARCHÉ DIFFÉRÉE** à partir de la touche **Température**.

Entrer une durée de cuisson à l'aide du clavier numérique à l'écran pour que la minuterie avertisse l'utilisateur de la fin de la cuisson. La durée de cuisson ne peut pas dépasser 12 h. Le four s'éteindra à la fin de la durée de cuisson.

Cuisson par convection de pizza surgelée

La cuisson par convection de pizza surgelée est utilisée pour la cuisson au four de pizzas surgelées à croûte épaisse ou fine. Durant la cuisson par convection de pizza surgelée, l'élément de convection, et le brûleur de cuisson au four fonctionnent par intermittence à intervalles réguliers pour maintenir la température du four. Les ventilateurs de convection restent continuellement actifs pour faire circuler l'air chaud autour de la pizza.

Conversion automatique pour convection

Les températures et/ou durées de convection sont différentes de celles d'une cuisson standard. Le four peut réduire automatiquement la température standard de la recette et/ou la durée de cuisson par convection.

En sélectionnant la conversion automatique pour convection, on peut sélectionner une catégorie puis entrer une température et une durée en fonction de la recette ou des instructions de l'emballage. Le four convertit la durée et/ou la température entrée(s).

La conversion peut ne pas être exacte car les aliments sont regroupés en catégories générales.

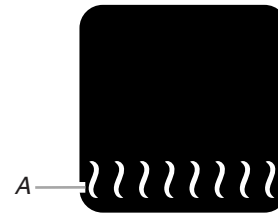
Utilisation de la conversion automatique pour convection :

1. À partir de la touche Accueil, appuyer sur CONVERSION CONVECTION AUTOMATIQUE.
2. Sélectionner un mode de conversion automatique de recette par convection :

Cuisson au four par convection	Mets en sauce, gâteaux, produits de boulangerie, biscuits
Rôtissage par convection	Poulet/dinde entier/entière, légumes, rôtis de porc/bœuf
Cuisson de pâtisseries par convection	Tarte surgelée, chaussons, choux à la crème et pâte feuilletée
Réglage manuel	Voir tous les modes manuels pour passer le processus de mise à jour de recette
3. Entrer une température de cuisson standard. Utiliser le curseur pour entrer la température de cuisson souhaitée ou appuyer sur les boutons -5°F (-1°C) ou +5°F (+1°C).
4. Appuyer sur RÉGLER MINUTERIE.
5. Si l'on a sélectionné Régler minuterie, entrer la durée de cuisson standard à l'aide du clavier numérique à l'écran.
6. Appuyer sur SUIVANT ou PASSER LA MINUTERIE.
7. Appuyer sur MARCHÉ ou ARRÊT sur le bouton Rappel. Ceci rappelle à l'utilisateur de vérifier l'aliment lorsqu'il reste 20 % du temps de la minuterie.
8. Si l'utilisateur choisit Passer la minuterie, il passe en revue les réglages convertis et peut régler Rappel et Mise en marche différée.
9. La valeur de la minuterie de cuisson indique "Non réglée".
10. Appuyer sur DÉMARRER pour commencer à préchauffer le four ou sur MISE EN MARCHÉ DIFFÉRÉE pour utiliser le réglage converti une fois le délai avant la mise en marche différée écoulé. Voir la section "Mise en marche différée" pour plus de renseignements.
11. Placer les aliments dans le four lorsque le signal sonore de préchauffage retentit. L'écran indique à l'utilisateur le moment où il doit insérer les aliments.
12. Une fois la minuterie de cuisson expirée, on peut démarrer le programme Maintien au chaud s'il n'est pas déjà pré-réglé, Ajouter plus de temps ou Annuler la minuterie.
13. Appuyer sur CANCEL (annulation) (CANCEL LEFT [annulation four gauche] ou CANCEL RIGHT [annulation four droit] sur les modèles de 48" [121,9 cm] pour éteindre le four.

Levée

Le programme de levée du pain prépare la pâte pour la cuisson au four en activant la levure. Suivre les directives de la recette ou de l'emballage pour savoir le nombre de fois que la pâte doit être levée.



A. Brûleur de cuisson au four

Utilisation de la fonction de levée :

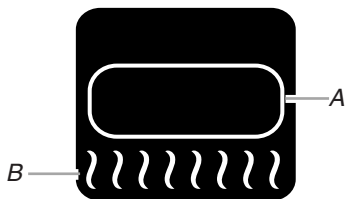
Avant la première levée, placer la pâte dans un bol légèrement graissé. Placer le bol sur la position de grille 3. Voir "Positionnement des grilles et ustensiles de cuisson" pour obtenir des conseils.

1. Placer les aliments dans le four et fermer la porte.
2. Appuyer sur MODES pour passer au menu Modes.
3. À partir du menu Modes, appuyer sur LEVÉE.
4. Après avoir appuyé sur Levée, l'écran Température apparaît. La température est réglée à 100°F (38°C) et ne peut pas être modifiée.
5. Appuyer sur DÉMARRER pour entamer la levée.
OU
6. Si l'on souhaite programmer la durée de cuisson, appuyer sur MINUTERIE NON RÉGLÉE pour entrer dans l'écran Minuterie de cuisson. Entrer une durée de cuisson à l'aide du clavier numérique à l'écran pour que la minuterie avertisse l'utilisateur de la fin de la cuisson. La durée de cuisson ne peut pas dépasser 12 h. Le four s'éteindra à la fin de la durée de cuisson.
7. (Facultatif) Pour maintenir les aliments au chaud une fois la minuterie de cuisson écoulée, appuyer sur MAINTIEN AU CHAUD à partir de l'écran Minuterie de cuisson. Voir la section "Option Keep Warm™" pour plus de renseignements.
8. (Facultatif) Pour régler une mise en marche différée avec une durée de cuisson, appuyer sur l'écran MINUTERIE NON RÉGLÉE/MINUTERIE DE CUISSON et entrer la durée de cuisson désirée. Sélectionner MISE EN MARCHÉ DIFFÉRÉE, régler l'heure de mise en marche désirée et appuyer sur RÉGLER MISE EN MARCHÉ DIFFÉRÉE. Pour régler une mise en marche différée uniquement, appuyer sur MISE EN MARCHÉ DIFFÉRÉE à partir de l'onglet Température, régler la durée désirée et appuyer sur RÉGLER MISE EN MARCHÉ DIFFÉRÉE.
9. Appuyer sur DÉMARRER pour commencer la cuisson ou pour activer la mise en marche différée.
10. Pour changer de mode, de température ou de durée de cuisson alors que le four est actif, appuyer sur l'onglet approprié. Effectuer la nouvelle sélection et appuyer sur OK.
11. Appuyer sur CANCEL OVEN (annulation four) (CANCEL RIGHT [annulation four droit] ou CANCEL LEFT [annulation four gauche]) pour éteindre le four.

Avant d'effectuer une seconde levée, mettre la pâte en forme, la placer dans un/des ustensile(s) de cuisson au four et couvrir sans serrer; enduire d'aérosol de cuisson. Reprendre le même placement et suivre les étapes de commande mentionnées ci-dessus. Avant la cuisson au four, retirer la pellicule protectrice.

Levée rapide

Levée rapide est utilisée pour la levée des pâtes surgelées ou moulées. Le mode Levée rapide nécessite le préchauffage du four.



A. Élément de convection
B. Brûleur de cuisson au four

Utilisation de Levée rapide :

1. À partir de Mode, appuyer sur LEVÉE RAPIDE.
2. Après avoir appuyé sur LEVÉE RAPIDE, l'écran de température apparaît. La température est réglée à 200° (93°C) et ne peut pas être modifiée.
3. Appuyer sur DÉMARRER pour entamer la levée rapide.
4. Une fois le programme terminé, appuyer sur CANCEL (annulation) (CANCEL LEFT [annulation four gauche] ou CANCEL RIGHT [annulation four droit] sur les modèles de 48" [121,9 cm]) pour éteindre le four.

Minuterie de cuisson

La minuterie de cuisson permet au four de réaliser une cuisson pendant une durée pré-réglée. Pour accéder à la minuterie de cuisson, appuyer sur MINUTERIE DE CUISSON ou MINUTERIE NON RÉGLÉE lorsque l'une de ces touches est disponible.

La minuterie de cuisson peut être démarrée de plusieurs façons :

- En appuyant sur DÉMARRER MINUTERIE, ce qui démarre le compte à rebours immédiatement.
- En ouvrant et refermant la porte du four avant la fin du préchauffage, ce qui démarre la minuterie dès que le préchauffage est terminé.
- En ouvrant et refermant la porte du four une fois le préchauffage terminé, ce qui démarre le compte à rebours immédiatement.
- Le compte à rebours de la minuterie se mettra automatiquement en marche 2 minutes après que le signal sonore de préchauffage a retenti si aucune des opérations mentionnées ci-dessus n'est effectuée.

La commande indiquera lorsqu'il ne restera plus que 20 % de la durée de cuisson.

Utilisation de la minuterie de cuisson :

1. Appuyer sur MINUTERIE DE CUISSON à partir de l'écran d'accueil ou appuyer sur MINUTERIE NON RÉGLÉE, si l'une de ces touches est disponible.
2. Sélectionner l'onglet Minuterie de cuisson ou Minuterie non réglée.
3. Sélectionner la durée de cuisson souhaitée à l'aide du clavier numérique à l'écran. La durée de cuisson ne peut pas dépasser 12:00:00.
4. Appuyer sur DÉMARRER pour commencer le préchauffage du four.
5. (Facultatif) Pour garder les aliments au chaud une fois leur cuisson terminée, mettre Maintien au chaud en MARCHE. Voir la section "Option Keep Warm™ (maintien au chaud)" pour plus de renseignements.

6. (Facultatif) Pour régler une mise en marche différée, appuyer sur MISE EN MARCHE DIFFÉRÉE et régler la durée souhaitée. Voir la section "Mise en marche différée" pour plus de renseignements.
7. Placer les aliments dans le four lorsque le signal sonore de préchauffage retentit. L'écran indique à l'utilisateur le moment où il peut ajouter les aliments. Si une mise en marche différée est programmée, placer les aliments dans le four au moment du réglage du mode.

⚠ AVERTISSEMENT

Risque d'empoisonnement alimentaire

Ne pas laisser des aliments dans un four plus d'une heure avant ou après la cuisson.

Le non-respect de cette instruction peut causer un empoisonnement alimentaire ou une maladie.

REMARQUE : Ne pas utiliser la mise en marche différée pour des aliments nécessitant le préchauffage du four, comme les gâteaux, les biscuits et le pain. Si l'on place les aliments dans le four durant le préchauffage, ils pourraient être trop cuits.

8. Une fois la Minuterie de cuisson terminée, si une durée de cuisson supplémentaire est désirée, appuyer sur AJOUTER DU TEMPS. Du temps peut être ajouté en sélectionnant Réinitialiser, ce qui va réinitialiser la durée réglée précédemment ou en sélectionnant AJOUTER 1 MN, AJOUTER 5MN ou AJOUTER 15 MN. La sélection de AJOUTER 1 MN, AJOUTER 5MN ou AJOUTER 15 MN vous permet de régler la durée par tranches de 1, 5 et 15 minutes. Si l'on souhaite démarrer le programme Maintien au chaud s'il n'est pas déjà pré-réglé, sélectionner Maintien au chaud une fois la Minuterie de cuisson terminée.

Sonde thermométrique

⚠ AVERTISSEMENT



Risque de brûlures

Utiliser des mitaines de four pour retirer la sonde thermométrique.

Ne pas toucher l'élément du grill.

Le non-respect de ces instructions peut causer des brûlures.

REMARQUE : La prise de sonde thermométrique n'est pas disponible sur la cavité du four de gauche pour les modèles de 48" [121,9 cm].

La sonde thermométrique mesure précisément la température interne de la viande, de la volaille et des mets en sauce et doit être utilisée pour déterminer le degré de cuisson des aliments. Elle peut être utilisée durant une cuisson au four, cuisson au four par convection et le rôtissage par convection. Le four émet un bip lorsque les aliments atteignent la température cible.

Toujours débrancher et retirer la sonde thermométrique du four lorsqu'on retire les aliments.

Utilisation de la sonde thermométrique :

Avant de l'utiliser, insérer la sonde à l'intérieur de l'aliment. Pour les viandes, l'extrémité de la sonde doit se trouver au centre de la partie la plus épaisse de la viande et non dans le gras ou au contact d'un os.

REMARQUE : Retirer les grilles non utilisées situées au-dessus des aliments.

Placer les aliments dans le four et connecter la sonde thermométrique à la prise. Maintenir la sonde aussi loin que possible de la source de chaleur. Fermer la porte du four.

1. À partir de la touche Accueil, appuyer sur le bouton **SONDE**.
2. Selon que la sonde est insérée ou non, l'affichage indique : "Sonde : non insérée" ou "Sonde : insérée".

REMARQUE : Insérer l'aliment et la sonde avant de chauffer le four.

3. Appuyer sur **CUISSON AU FOUR PAR CONVECTION**, **RÔTISSAGE PAR CONVECTION** ou **CUISSON AU FOUR**. Le fait de sélectionner ces boutons amène l'utilisateur à l'onglet **Sonde thermométrique**, avec la méthode précédemment sélectionnée automatiquement ainsi qu'une température par défaut adéquate.
4. Utiliser les boutons **-5°F (-1°C)** ou **+5°F (+1°C)** pour régler la température de la sonde. La température par défaut est **160°F (71°C)**. La température doit se situer entre **130°F (54°C)** et **185°F (85°C)**.
5. Pour modifier la température du four, appuyer sur l'onglet **TEMPÉRATURE** pour passer à l'écran **Température**. Utiliser le curseur pour entrer la température de cuisson souhaitée ou appuyer sur les boutons **-5°F (-1°C)** ou **+5°F (+1°C)**. La température doit se situer entre **170°F (77°C)** et **500°F (260°C)**.
6. Pour régler une mise en marche différée, appuyer sur **Mise en marche différée** et régler l'heure souhaitée. Voir la section "Mise en marche différée" pour plus de renseignements.
7. Pour annuler la température de la sonde tout en conservant le mode et la température de cavité actuels, appuyer sur le bouton **ANNULER SONDE**.
8. Appuyer sur **DÉMARRER** pour entamer la cuisson avec la sonde.

Mise en marche différée

AVERTISSEMENT

Risque d'empoisonnement alimentaire

Ne pas laisser des aliments dans un four plus d'une heure avant ou après la cuisson.

Le non-respect de cette instruction peut causer un empoisonnement alimentaire ou une maladie.

La mise en marche différée permet au(x) four(s) d'être programmé(s) pour se mettre en marche à une certaine heure et de cuire pendant une certaine durée.

La mise en marche différée ne doit pas être utilisée pour les aliments tels que pains et gâteaux car ils risquent de ne pas bien cuire.

La mise en marche différée est disponible avec n'importe quel programme équipé d'un bouton de mise en marche différée.

Pour régler une mise en marche différée :

1. À partir de n'importe quel mode équipé du bouton de mise en marche différée, appuyer sur **MISE EN MARCHÉ DIFFÉRÉE**.

2. Régler l'heure de la journée à laquelle on souhaite que le four commence à préchauffer en utilisant le curseur pour entrer l'heure souhaitée ou en appuyant sur les boutons "-15min" ou "+15min". Ces boutons augmentent ou diminuent la durée sélectionnée et déplacent aussi le curseur.

3. Appuyer sur **RÉGLER MISE EN MARCHÉ DIFFÉRÉE**.

Mise en marche différée avec minuterie de cuisson :

1. Si l'on souhaite une mise en marche différée avec minuterie de cuisson, sélectionner **Minuterie non réglée** ou **Minuterie de cuisson**.
2. Programmer la durée de cuisson souhaitée, puis appuyer sur **MISE EN MARCHÉ DIFFÉRÉE**. La différence entre l'heure de début et l'heure de fin doit être égale à la durée de cuisson.
3. (Facultatif) Sélectionner **MAINTIEN AU CHAUD** pour garder les aliments au chaud après la cuisson si désiré.
4. Utiliser le curseur pour entrer l'heure de début et de fin désirée ou appuyer sur les boutons "-15min" ou "+15min". Ces boutons augmentent ou diminuent la durée de début/fin sélectionnée et déplacent aussi le curseur.
5. Appuyer sur **RÉGLER MISE EN MARCHÉ DIFFÉRÉE**.

Mise en marche différée avec sonde :

AVERTISSEMENT



Risque de brûlures

Utiliser des mitaines de four pour retirer la sonde thermométrique.

Ne pas toucher l'élément du grill.

Le non-respect de ces instructions peut causer des brûlures.

1. Si l'on choisit la mise en marche différée alors que la sonde est en cours d'utilisation, sélectionner **Mise en marche différée** sur l'écran **Temp. sonde**, puis sélectionner le moment où la cuisson doit commencer. La sonde contrôlant l'heure de fin, l'heure de fin ne s'affiche pas.
2. Utiliser le curseur pour entrer l'heure de début souhaitée ou appuyer sur les boutons "-15min" ou "+15min". Ces boutons augmentent ou diminuent l'heure de début sélectionnée et déplacent aussi le curseur.
3. Le four conserve automatiquement les aliments au chaud une fois que la sonde a atteint la température cible.
4. Appuyer sur **RÉGLER MISE EN MARCHÉ DIFFÉRÉE**.

Nettoyage différé

1. Si l'on souhaite un nettoyage différé, sélectionner **Mise en marche différée** après avoir sélectionné le niveau de nettoyage. Sélectionner le moment où le nettoyage doit commencer. Le four calcule l'heure de fin en fonction du choix de niveau de nettoyage.
2. Utiliser le curseur pour entrer l'heure de début et de fin désirée ou appuyer sur les boutons "-15min" ou "+15min". Ces boutons augmentent ou diminuent la durée de début/fin sélectionnée et déplacent aussi le curseur.
3. Le four refroidit pendant une heure supplémentaire une fois le nettoyage terminé.
4. Appuyer sur **RÉGLER MISE EN MARCHÉ DIFFÉRÉE**.

ENTRETIEN DE LA CUISINIÈRE

Programme d'autonettoyage

AVERTISSEMENT



Risque de brûlures

Ne pas toucher le four au cours du programme d'autonettoyage.

Garder les enfants loin du four au cours du programme d'autonettoyage.

Le non-respect de ces instructions peut causer des brûlures.

IMPORTANT: La santé de certains oiseaux est très sensible aux émanations qui surviennent durant le programme d'autonettoyage. L'exposition aux émanations peut entraîner la mort de certains oiseaux. Toujours déplacer les oiseaux dans une autre pièce fermée et bien aérée.

Procéder à l'autonettoyage du four avant qu'il ne devienne très sale. Les saletés intenses nécessitent un nettoyage plus long et dégagent plus de fumée.

Veiller à ce que la cuisine soit bien aérée pendant le programme d'autonettoyage afin d'aider à éliminer la chaleur, les odeurs et la fumée.

Ne pas obstruer le ou les événements du four durant le programme d'autonettoyage. L'air doit pouvoir circuler librement. Selon votre modèle, voir la section "Événement du four" ou "Événements du four".

Ne pas nettoyer, frotter, endommager ou déplacer le joint d'étanchéité de la porte du four. Le joint de la porte est essentiel pour une bonne étanchéité.

Préparation du four :

- Sortir du four la lèchefrite, la grille et les ustensiles de cuisson au four et, sur certains modèles, la sonde thermométrique.
- Sortir les grilles du four pour les garder brillantes et pour qu'elles glissent facilement. Voir la section "Nettoyage général" pour plus de renseignements.
- Enlever tout papier d'aluminium du four; celui-ci risquerait de brûler ou de fondre et d'endommager le four.
- Nettoyer manuellement l'intérieur de la porte et une zone de 1½" (3,8 cm) sur le pourtour du cadre de la cavité du four, en prenant soin de ne pas déplacer ni plier le joint d'étanchéité. Cette section ne devient pas assez chaude au cours du programme d'autonettoyage pour pouvoir éliminer la saleté. Ne pas laisser de l'eau, un nettoyant, etc. pénétrer dans les fentes du cadre de la porte. Nettoyer avec un chiffon humide.
- Essuyer toute saleté décollée afin de réduire la fumée et d'éviter les dommages. À des températures élevées, les aliments réagissent avec la porcelaine. Cette réaction peut causer des taches, des attaques, des piqûres ou de légères taches blanches. Ceci n'affectera pas la performance de cuisson.

Comment fonctionne le programme

IMPORTANT : Le chauffage et le refroidissement de la porcelaine sur l'acier dans le four peuvent causer une décoloration, une perte de lustre, des fissures minuscules et des craquements.

Le programme d'autonettoyage utilise des températures très élevées, brûlant les saletés pour les réduire en cendre.

Le four est préréglé pour un programme d'autonettoyage de 4 heures, mais la durée peut être modifiée. Les durées de nettoyage suggérées sont de 3 heures et 30 minutes pour un niveau de saleté faible et entre 4 heures et 4 heures 30 pour un niveau de saleté ordinaire à élevé.

Utiliser le tableau ci-dessous comme guide pour déterminer le niveau de nettoyage désiré.

NIVEAU DE NETTOYAGE	DURÉE DE NETTOYAGE TOTALE (comprend 30 minutes de temps de refroidissement)
Léger	3 heures 30 minutes
Moyen	4 heures
Service intense	4 heures 30 minutes

Lorsque le four a complètement refroidi, retirer la cendre avec un chiffon humide. S'il reste des saletés après l'essuyage, cela signifie que le programme de nettoyage n'a pas fonctionné suffisamment longtemps pour pouvoir éliminer toutes les saletés du four. Répéter le programme d'autonettoyage si désiré; on peut aussi attendre le prochain programme de nettoyage pour éliminer ces saletés. Pour éviter de briser le verre, ne pas appliquer de chiffon humide froid sur le verre intérieur de la porte avant que le four n'ait complètement refroidi.

Les lampes du four ne fonctionnent pas durant le programme d'autonettoyage.

Sur les cuisinières de 48" (121,9 cm), l'autonettoyage ne peut s'effectuer que sur un four à la fois. Lorsqu'un four effectue un programme d'autonettoyage, l'autre four ne peut être ni réglé, ni allumé.

REMARQUE : Le four possède un moteur de ventilateur de refroidissement à 2 vitesses. Pendant l'autonettoyage, le(s) ventilateur(s) fonctionne(nt) à la vitesse la plus élevée pour augmenter le flux d'air et faciliter l'évacuation de l'air chaud à travers le(s) événement(s) du four. Une augmentation du niveau sonore peut être constatée pendant et après le programme d'autonettoyage jusqu'à ce que le four refroidisse.

Autonettoyage :

1. À partir des menus Modes ou Réglages, appuyer sur le bouton AUTONETTOYAGE.
2. Si l'on accède à l'autonettoyage à l'aide du menu de réglage sur les cuisinières de 48" (121,9 cm), sélectionner le four que l'on souhaite nettoyer : Gauche ou droit, puis appuyer sur SUIVANT.
3. Deux messages apparaissent sur l'écran :
 - Retirer toutes les grilles et tous les plats du four. Il est possible que les grilles se décolorent et glissent difficilement après un programme d'autonettoyage.
 - Nettoyer le cadre du four et le cadre de la porte à l'aide d'un agent nettoyant non abrasif car ils ne sont pas exposés aux températures de nettoyage. Ne pas nettoyer le joint d'étanchéité.
4. Appuyer sur SUIVANT.

- Sélectionner le niveau de nettoyage en appuyant sur les boutons :
Léger (3½ heures), Moyen (4 heures) ou Élevé (4½ heures).
REMARQUE : Le four refroidit pendant une heure supplémentaire une fois le nettoyage terminé.
- Pour régler une mise en marche différée, appuyer sur MISE EN MARCHÉ DIFFÉRÉE. Voir la section "Mise en marche différée" pour plus de renseignements.
- Appuyer sur DÉMARRER. La/les porte(s) se verrouillent.

Pour arrêter le programme d'autonettoyage à tout moment :

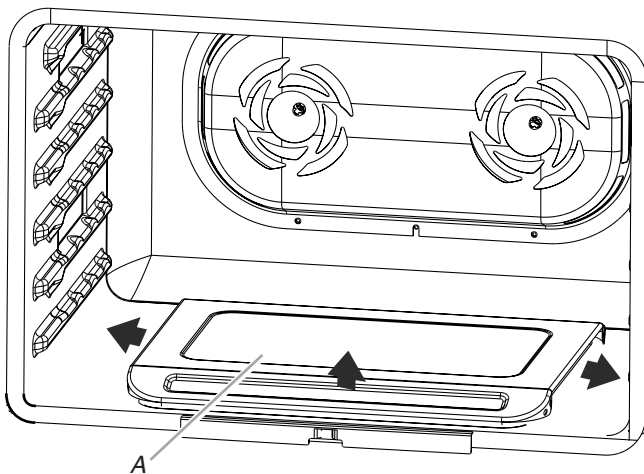
Appuyer sur CANCEL OVEN (annulation four) (CANCEL LEFT [annulation four gauche] ou CANCEL RIGHT [annulation four droit] sur les modèles de four de 48" [121,9 cm]). Si la température du four est trop élevée, la porte reste verrouillée. Elle ne se déverrouille pas tant que le four n'a pas refroidi.

Couvercles du brûleur de cuisson au four

Lors du nettoyage des traces d'un liquide qui se serait infiltré sous le couvercle du brûleur de cuisson au four, retirer puis réinstaller le couvercle conformément aux instructions ci-dessous.

Pour retirer le couvercle du brûleur de cuisson au four (modèles de 30" [76,2 cm] et de 36" [91,4 cm] et cavité du four de droite sur les modèles de 48" [121,9 cm])

- Retirer les grilles du four et la grille coulissante déployable de l'intérieur de la cavité du four. Voir la section "Grille coulissante déployable" du Guide d'utilisation et d'entretien.
- Enlever la porte du four. Voir la section "Porte du four" du guide d'utilisation et d'entretien.
- Faire glisser le couvercle du brûleur de cuisson au four vers la droite ou vers la gauche.

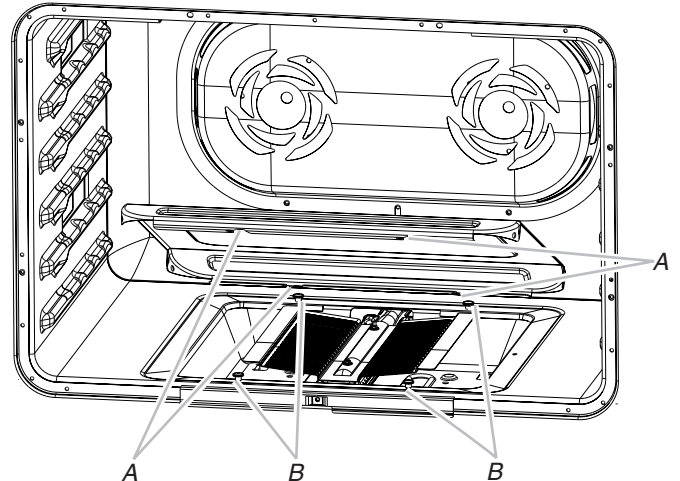


A. Brûleur de cuisson au four – couvercle

- Retirer le couvercle de brûleur de cuisson au four en le soulevant et le mettre de côté.

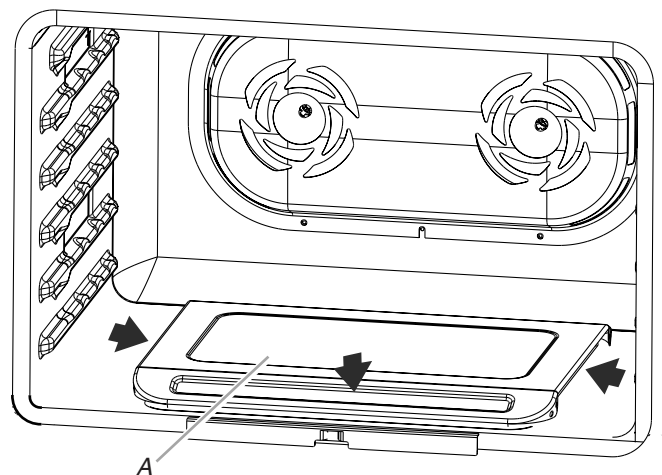
Réinstaller le couvercle du brûleur de cuisson au four

- Aligner les encoches du couvercle du brûleur du four avec les vis à épaulement dans le fond du four.



A. Encoches de couvercle (4)
B. Vis à épaulement (4)

- Abaisser le couvercle et le faire glisser vers la gauche ou vers la droite pour faire glisser les vis à épaulement dans les extrémités étroites des encoches puis emboîter le tout.

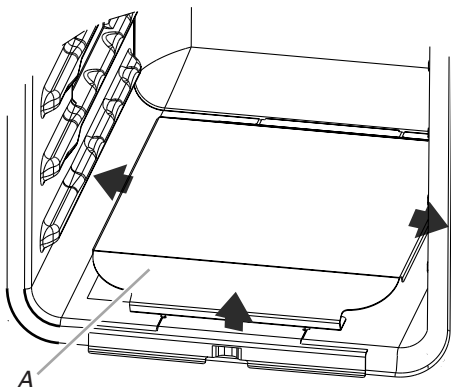


A. Brûleur de cuisson au four – couvercle

- Réinstaller la porte du four. Voir "Porte du four" dans la section "Entretien de la cuisinière".

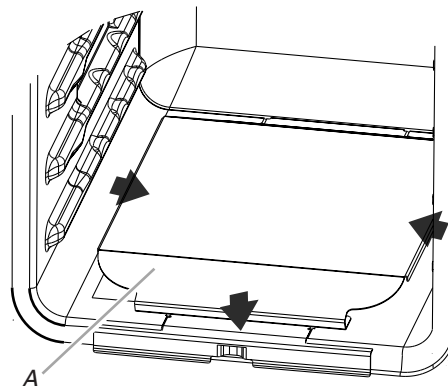
Pour retirer le couvercle du brûleur de cuisson au four (cavité du four de gauche sur les modèles de 48" [121,9 cm])

1. Ôter les grilles du four.
2. Enlever la porte du four. Voir la section "Porte du four" du guide d'utilisation et d'entretien.
3. Faire glisser le couvercle du brûleur de cuisson au four vers la droite ou vers la gauche.



A. Brûleur de cuisson au four – couvercle

2. Abaisser le couvercle et le faire glisser vers la gauche ou vers la droite pour faire glisser les vis à épaulement dans les extrémités étroites des encoches allongées puis emboîter le tout.

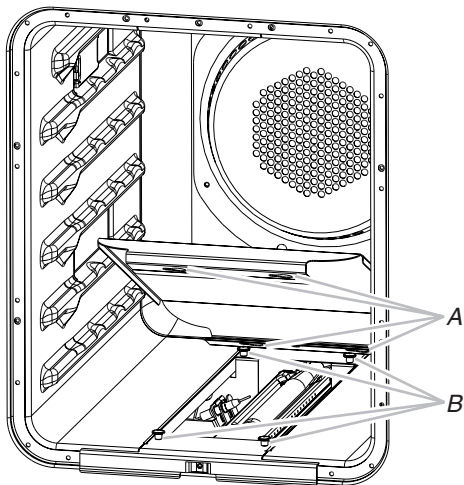


A. Brûleur de cuisson au four – couvercle

4. Retirer le couvercle de brûleur de cuisson au four en le soulevant et le mettre de côté.

Réinstaller le couvercle du brûleur de cuisson au four

1. Aligner les trous de montage arrière des vis à épaulement (encoches allongées) du couvercle de brûleur de cuisson au four avec les vis à épaulement dans le fond du four.



A. Trous de montage (encoches allongées)
arrière de vis à épaulement
B. Vis à épaulement

3. Réinstaller la porte du four. Voir "Porte du four" dans la section "Entretien de la cuisinière".

Nettoyage général

IMPORTANT : Avant le nettoyage, s'assurer que toutes les commandes sont désactivées et que le four est froid. Toujours suivre les instructions figurant sur les étiquettes des produits de nettoyage.

Du savon, de l'eau et un chiffon doux ou une éponge sont recommandés à moins d'indication contraire.

ACIER INOXYDABLE (sur certains modèles)

Ne pas utiliser de tampons à récurer savonneux, de nettoyeurs abrasifs, de crème à polir pour table de cuisson, de tampons en laine d'acier, de chiffons de lavage rudes ou d'essuie-tout abrasifs. Des dommages peuvent survenir, même en cas d'utilisation limitée ou non renouvelée.

Frotter dans la direction du grain pour éviter les dommages.

Méthode de nettoyage :

- Nettoyant et poli pour acier inoxydable – Pièce n° 31462 (non inclus) :
- Détergent liquide ou nettoyant tout-usage :

Rincer à l'eau propre et sécher avec un chiffon doux sans charpie.

GRILLES ET CHAPEAUX ÉMAILLÉS

Les renversements d'aliments contenant des produits acides, tels que vinaigre et tomates, doivent être nettoyés dès que la table de cuisson, les grilles et les chapeaux ont refroidi. Ces renversements peuvent affecter le fini.

Pour éviter l'écaillement, ne pas entrechoquer les grilles et les chapeaux ni les frapper contre des surfaces dures telles que les ustensiles en fonte.

Ne pas réinstaller les chapeaux sur les brûleurs lorsqu'ils sont mouillés.

Ne pas les nettoyer au moyen du programme d'autonettoyage.

Ne pas nettoyer au lave-vaisselle.

Méthode de nettoyage :

- Ustensile de récurage en nylon non abrasif et nettoyant légèrement abrasif :
Nettoyer dès que la table de cuisson, les grilles et les chapeaux ont refroidi.

BRÛLEURS DE SURFACE

Modèles à brûleurs scellés

Voir la section "Brûleurs de surface scellés".

COMMANDES DE LA TABLE DE CUISSON

Afin d'éviter d'endommager les commandes de la table de cuisson, ne pas utiliser de laine d'acier, de nettoyeurs abrasifs ou de nettoyeur pour four.

Afin d'éviter tout dommage, ne pas immerger les boutons de commande.

Lors de la réinstallation des boutons, s'assurer que chaque bouton est à la position Off (arrêt).

Ne pas retirer les joints sous les boutons.

REMARQUE : Lors de la réinstallation des boutons après le nettoyage des commandes des brûleurs de surface ou de la commande du module de la plaque à frire, vérifier que les boutons sont réinstallés à leur emplacement correct. Les boutons de brûleur de 20 000 BTU/h possèdent des réglages de puissance et le bouton de la plaque à frire des réglages de température. Tous les autres boutons possèdent uniquement des réglages Hi (élevé), Med (moyen), Lo (bas).

Méthode de nettoyage :

- Eau tiède savonneuse :
Tirer les boutons directement hors du tableau de commande pour les enlever.

EXTÉRIEUR DE LA PORTE DU FOUR

Méthode de nettoyage :

- Nettoyant à vitre et chiffon doux ou éponge :
Appliquer le nettoyant à vitre sur un chiffon doux ou une éponge, et non pas directement sur le tableau.
- Nettoyant tout-usage pour appareils ménagers – Pièce n° 31682 (non fourni) :
Voir la section "Assistance ou service" pour commander.

INTÉRIEUR DE LA PORTE DU FOUR

Méthode de nettoyage :

- Programme d'autonettoyage :
Pour un nettoyage optimal de la porte, essuyer tout dépôt avec une éponge humide avant de lancer le programme.

TABLEAU DE COMMANDE

Activer la fonction de verrouillage des commandes pour éviter d'activer l'écran tactile au cours du nettoyage. Voir la section "Verrouillage de la commande".

Afin d'éviter d'endommager le tableau de commande, ne pas utiliser de nettoyeurs abrasifs, de tampons en laine d'acier, de chiffons de lavage rêches ou d'essuie-tout abrasifs.

Méthode de nettoyage :

- Nettoyant à vitre et chiffon doux ou éponge :
Appliquer le nettoyant à vitre sur un chiffon doux ou une éponge, et non pas directement sur le tableau.
- Nettoyant tout-usage pour appareils ménagers – Pièce n° 31682 (non fourni) :
Voir la section "Assistance ou service" pour commander.

CAVITÉ DU FOUR

Ne pas utiliser de nettoyeurs à four.

Les renversements alimentaires doivent être nettoyés lorsque le four a refroidi. À des températures élevées, les aliments réagissent avec la porcelaine et cette réaction peut entraîner la formation de taches, d'un film de silice, de piqûres ou de légères taches blanches.

Méthode de nettoyage :

- Programme d'autonettoyage : Voir d'abord "Programme d'autonettoyage".

GRILLES DU FOUR

Méthode de nettoyage :

■ Programme d'autonettoyage :

Voir d'abord "Programme d'autonettoyage". Sortir les grilles sinon elles se décolorent et glisseront plus difficilement. Le cas échéant, une légère couche d'huile végétale appliquée sur les glissières facilitera le glissement des grilles.

■ Tampon en laine d'acier

MODULE DE LA PLAQUE À FRIRE

Ne pas attendre trop longtemps après le retrait des aliments et le refroidissement de la plaque pour la nettoyer.

Méthode de nettoyage :

- Eau chaude savonneuse et/ou tampon à récurer en nylon
- Après le nettoyage, sécher la surface avec un essuie-tout.

Plateau d'égouttement et zone située sous le plateau

Laisser la table de cuisson refroidir complètement avant le nettoyage.

Méthode de nettoyage :

- Eau tiède savonneuse ou nettoyant non abrasif.
- Chiffon humide ou tampon non abrasif.
- Sécher complètement avant de placer le plateau d'égouttement en position.

Lampes du four

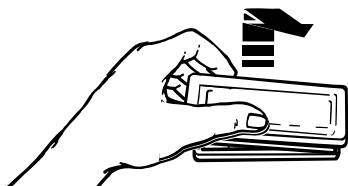
Les lampes du four sont des ampoules à halogène de 120 volts, 25 watts maximum. Elles s'allument à l'ouverture de la porte du four.

Sur les cuisinières de 48" (121,9 cm), les lampes du four de gauche et de droite s'allument ou s'éteignent lorsqu'on appuie sur LAMPE FOUR. Les lampes du four ne fonctionnent pas durant le programme d'autonettoyage. Lorsque la porte du four est fermée, appuyer sur LAMPE FOUR pour allumer ou éteindre les lampes.

Remplacement :

Avant de procéder au remplacement, s'assurer que le four est éteint et froid.

1. Déconnecter la source de courant électrique.
2. Ôter le couvercle en verre de la lampe en saisissant le bord avant et en tirant pour l'écartier du four.



3. Ôter l'ampoule de la douille.
4. Remplacer l'ampoule en la manipulant avec un mouchoir de papier ou des gants de coton. Pour éviter d'endommager ou de réduire la longévité de l'ampoule neuve, ne pas toucher l'ampoule avec les doigts nus.
5. Réinstaller le couvercle de l'ampoule en l'emboîtant dans la paroi.
6. Reconnecter la source de courant électrique.

Porte du four

⚠ AVERTISSEMENT

Risque du poids excessif

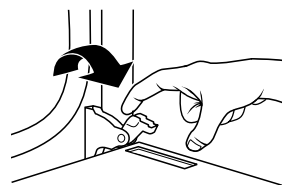
Utiliser deux personnes ou plus pour déplacer et installer les portes du four.

Le non-respect de cette instruction peut causer une blessure au dos ou d'autre blessure.

Il n'est pas recommandé d'enlever la porte du four pour une utilisation normale. Toutefois, si la dépose est nécessaire, s'assurer que le four est éteint et froid. Puis, suivre ces instructions. La porte du four est lourde.

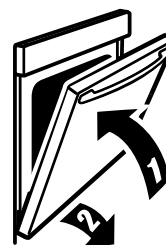
Dépose :

1. Ouvrir la porte du four complètement.
2. Relever le loquet de charnière de chaque côté.



3. Fermer la porte du four aussi loin qu'elle peut aller.
4. À l'aide de 2 personnes ou plus, soulever la porte du four en la retenant de chaque côté.

Continuer de maintenir la porte du four fermée et la dégager du châssis de la porte du four.



Réinstallation :

1. À l'aide de 2 personnes ou plus, insérer les deux bras de suspension dans la porte.



2. Ouvrir la porte du four.
Vous devriez entendre un déclic lors de la mise en place de la porte.
3. Remettre les leviers des charnières à la position verrouillée. Effectuer quelques manœuvres d'ouverture/fermeture de la porte du four pour vérifier le bon fonctionnement. En cas d'impossibilité d'ouverture ou de fermeture parfaite de la porte, répéter le processus de dépose et d'installation de la porte.

DÉPANNAGE

Essayer d'abord les solutions suggérées ici afin d'éviter le coût d'une intervention de dépannage inutile.

Rien ne fonctionne

- **Un fusible du domicile est-il grillé ou le disjoncteur s'est-il déclenché?**
Remplacer le fusible ou réenclencher le disjoncteur. Si le problème persiste, appeler un électricien.

Les brûleurs de surface ne fonctionnent pas

- **Est-ce la première fois que les brûleurs de surface sont utilisés?**
Tourner n'importe quel bouton de brûleur de surface pour libérer l'air des canalisations de gaz.
- **Le bouton de commande est-il réglé correctement?**
Pousser sur le bouton avant de le tourner à un réglage.
- **Les orifices des brûleurs sont-ils obstrués?**
Sur les modèles à brûleurs scellés, voir la section "Brûleurs de surface scellés".

Les flammes des brûleurs de surface ne sont pas uniformes, sont de teinte jaune et/ou bruyantes

- **Les orifices des brûleurs sont-ils obstrués?**
Sur les modèles à brûleurs scellés, voir la section "Brûleurs de surface scellés".
- **Sur les modèles à chapeau, les chapeaux des brûleurs sont-ils bien installés?**
Voir la section "Brûleurs de surface scellés".
- **Utilise-t-on du gaz propane?**
La cuisinière a peut-être été mal convertie. Contacter un technicien de réparation qualifié.

Le brûleur de surface émet des bruits d'éclatement

- **Le brûleur est-il mouillé?**
Le laisser sécher.

Le brûleur émet des étincelles, mais ne s'allume pas

- **Y a-t-il une production continue d'étincelles sans que le brûleur ne s'allume?**
Discontinuer l'utilisation du brûleur de surface et contacter un technicien de service.

Chaleur excessive autour des ustensiles de cuisson sur la table de cuisson

- **L'ustensile de cuisson est-il de dimension appropriée?**
Utiliser un ustensile de cuisson à peu près de la même dimension que la surface de cuisson, l'élément de cuisson ou le brûleur de surface. L'ustensile de cuisson ne doit pas dépasser de plus de 1/2" (1,3 cm) à l'extérieur de la zone de cuisson.

Les résultats de cuisson ne sont pas les résultats prévus

- **Utilise-t-on un ustensile de cuisson approprié?**
Voir la section "Ustensiles de cuisson".
- **Le bouton de commande est-il réglé au niveau approprié de chaleur?**
Voir la section "Commandes de la table de cuisson".
- **La cuisinière est-elle d'aplomb?**
La cuisinière doit être d'aplomb pour que la plaque à frire puisse fonctionner correctement. Voir les Instructions d'installation pour des instructions de nivellement.

Le four ne fonctionne pas

- **Est-ce la première fois que le four est utilisé?**
Allumer n'importe quel brûleur de surface pour libérer l'air des canalisations de gaz.
- **Le module de commande électronique du four est-il correctement réglé?**
Voir la section "Module de commande électronique du four".
- **Une mise en marche différée a-t-elle été réglée?**
Voir la section "Cuisson minutée".
- **Sur certains modèles, le verrouillage des commandes est-il réglé?**
Voir la section "Verrouillage des commandes".
- **Sur certains modèles, le mode Sabbath est-il réglé?**
Voir la section "Mode Sabbath".

La température du four est trop élevée ou trop basse

- **Le calibrage de la température du four a-t-il besoin d'être ajusté?**
Voir la section "Calibrage de la température".

Des messages s'affichent

- **L'affichage montre-t-il une lettre suivie d'un chiffre?**
Effacer l'affichage. Voir la section "Affichage(s)". Si une lettre suivie d'un chiffre réapparaît, faire un appel de service. Voir la section "Assistance ou service".

Le programme d'autonettoyage ne fonctionne pas

- **La porte du four est-elle ouverte?**
Fermer la porte du four complètement.
- **Une fonction a-t-elle été entrée?**
Voir la section "Programme d'autonettoyage".
- **Sur certains modèles, un programme d'autonettoyage à mise en marche différée a-t-il été réglé?**
Voir la section "Programme d'autonettoyage".
- **Une mise en marche différée a-t-elle été réglée?**
Voir la section "Cuisson minutée/différée".
- **Sur les cuisinières de 48" (121,9 cm), l'un des fours est-il en cours d'autonettoyage?**
Lorsqu'un four effectue un programme d'autonettoyage, l'autre four ne peut pas être réglé sur un programme d'autonettoyage.

Les résultats de cuisson au four ne sont pas les résultats prévus

- **La température correcte est-elle réglée?**
Contre-vérifier la recette dans un livre de recettes fiable.
- **Le calibrage de la température du four est-il réglé correctement?**
Voir la section "Calibrage (commande de la température du four)".
- **Le four a-t-il été préchauffé?**
Voir la section "Cuisson au four et rôtissage".
- **Utilise-t-on un ustensile de cuisson au four approprié?**
Voir la section "Ustensiles de cuisson au four".
- **Les grilles sont-elles installées correctement?**
Voir la section "Positionnement des grilles et ustensiles de cuisson au four".
- **Existe-t-il une circulation d'air appropriée autour des ustensiles de cuisson?**
Voir la section "Positionnement des grilles et ustensiles de cuisson au four".
- **La pâte est-elle distribuée uniformément dans le plat?**
Vérifier que la pâte est répartie uniformément dans le plat.
- **Utilise-t-on une durée de cuisson appropriée?**
Ajuster la durée de cuisson.
- **La porte a-t-elle été ouverte pendant la cuisson?**
L'ouverture de la porte pour vérifier la cuisson laisse la chaleur du four s'échapper et peut nécessiter des durées de cuisson plus longues.
- **Les articles cuits au four sont-ils trop bruns à la base?**
Déplacer la grille à une position plus élevée dans le four.
- **Les bords des croûtes de tarte ont-ils bruni trop tôt?**
Utiliser du papier d'aluminium pour couvrir le bord de la croûte et/ou réduire la température de cuisson au four.

ASSISTANCE OU SERVICE

Avant de faire un appel pour assistance ou service, veuillez vérifier la section "Dépannage". Cette vérification peut vous faire économiser le coût d'une visite de service. Si vous avez encore besoin d'aide, suivez les instructions ci-dessous.

Lors d'un appel, veuillez connaître la date d'achat et les numéros de modèle et de série complets de votre appareil. Ces renseignements nous aideront à mieux répondre à votre demande.

Si vous avez besoin de pièces de rechange

Si vous avez besoin de commander des pièces de rechange, nous vous recommandons d'utiliser seulement des pièces spécifiées par l'usine. Les pièces de rechange spécifiées par l'usine fonctionneront bien parce qu'elles sont fabriquées selon la même précision que celle utilisée pour fabriquer chaque nouvel appareil JENN-AIR®.

Pour savoir où trouver des pièces spécifiées par l'usine dans votre région, nous appeler ou contacter le centre de service désigné JENN-AIR® le plus proche.

Au Canada

Téléphoner sans frais au Centre pour l'eXpérience de la clientèle de Jenn-Air au : **1-800-807-6777**

Nos consultants fournissent de l'assistance pour :

- Procédés d'utilisation et d'entretien.
- Vente de pièces de rechange.
- Orientation vers des concessionnaires, compagnies de service de réparation et distributeurs de pièces de rechange locaux. Les techniciens de service désignés par Jenn-Air sont formés pour remplir la garantie du produit et fournir un service après la garantie, partout au Canada.

Pour plus d'assistance :

Si vous avez besoin de plus d'assistance, vous pouvez écrire à :

Jenn-Air Brand Home Appliances
Centre pour l'eXpérience de la clientèle
200 - 6750 Century Ave.
Mississauga, Ontario L5N 0B7

Adresse Internet : **www.jennair.ca**

Veuillez indiquer dans votre correspondance un numéro de téléphone où l'on peut vous joindre dans la journée.

Accessoires

Nettoyant et poli pour acier inoxydable

(modèles en acier inoxydable)

Commander la pièce numéro 31462

Nettoyant tout-usage pour appareils ménagers

Commander la pièce numéro 31682

Panneau anti-éclaboussure avec tablette à double position pour cuisinières de 30" (76,2 cm)

Commander la pièce numéro W10285447

Panneau anti-éclaboussure avec tablette à double position pour cuisinières de 36" (91,4 cm)

Commander la pièce numéro W10285448

Panneau anti-éclaboussure avec tablette à double position pour cuisinières de 48" (121,9 cm)

Commander la pièce numéro W10285449

Panneau anti-éclaboussure réglable pour cuisinières de 30" (76,2 cm)

Commander la pièce numéro 8285148

Panneau anti-éclaboussure réglable pour cuisinières de 36" (91,4 cm)

Commander la pièce numéro 8284756

Panneau anti-éclaboussure réglable pour cuisinières de 48" (121,9 cm)

Commander la pièce numéro 8284755

Panneau mural anti-éclaboussure en acier inoxydable de 33½" (85,1 cm) pour cuisinières de 30" (76,2 cm)

Commander la pièce numéro JXA9003CDP

Panneau mural anti-éclaboussure en acier inoxydable de 33½" (85,1 cm) pour cuisinières de 36" (91,4 cm)

Commander la pièce numéro JXA9002CDP

Panneau mural anti-éclaboussure en acier inoxydable de 33½" (85,1 cm) pour cuisinières de 48" (121,9 cm)

Commander la pièce numéro JXA9001CDP

Couvercle pour plaque à frire en acier inoxydable

Commander la pièce numéro W10160195

Trousse haute altitude pour gaz propane

Commander la pièce numéro W10324363

Trousse haute altitude pour gaz naturel

Commander la pièce numéro W10324365

Cerclage de wok

Commander la pièce numéro W10216179

Trousse de lèchefrite

Commander la pièce numéro W10123240

Grille roulante déployable avec poignée pour cuisinières de 30" (76,2 cm)

Commander la pièce numéro W10208155

Grille roulante déployable avec poignée pour cuisinières de 36" (91,4 cm)

Commander la pièce numéro W10212435

GARANTIE DES APPAREILS DE CUISSON JENN-AIR®

GARANTIE LIMITÉE

Pendant un an à compter de la date d'achat, lorsque ce gros appareil ménager est utilisé et entretenu conformément aux instructions jointes à ou fournies avec le produit, Jenn-Air, marque de Whirlpool Corporation ou Whirlpool Canada LP (ci-après désignées "Jenn-Air") paiera pour les pièces spécifiées par l'usine et la main-d'œuvre pour corriger les vices de matériaux ou de fabrication. Le service doit être fourni par une compagnie de service désignée par Jenn-Air. Cette garantie limitée est valide uniquement aux États-Unis ou au Canada et s'applique exclusivement lorsque l'appareil est utilisé dans le pays où il a été acheté. À l'extérieur du Canada et des 50 États des États-Unis, cette garantie limitée ne s'applique pas. Une preuve de la date d'achat original est exigée pour obtenir un service dans le cadre de la présente garantie limitée.

GARANTIE LIMITÉE DE LA DEUXIÈME À LA CINQUIÈME ANNÉE INCLUSIVEMENT SUR CERTAINS COMPOSANTS

De la deuxième à la cinquième année inclusivement à compter de la date d'achat, lorsque cet appareil ménager est utilisé et entretenu conformément aux instructions jointes à ou fournies avec le produit, Jenn-Air paiera pour les pièces spécifiées par l'usine pour les composants suivants (si applicables au produit), en cas de vices de matériaux ou de fabrication :

- | | |
|---|---------------------------|
| ■ Élément électrique | ■ Commandes électroniques |
| ■ Clavier tactile et microprocesseur | ■ Tube magnétron |
| ■ Table de cuisson en vitrocéramique : en cas de bris d'origine thermique | ■ Brûleurs à gaz scellés |

ARTICLES EXCLUS DE LA GARANTIE

La présente garantie limitée ne couvre pas :

1. Les visites de service pour rectifier l'installation du gros appareil ménager, montrer à l'utilisateur comment utiliser l'appareil, remplacer ou réparer des fusibles ou rectifier le câblage ou la plomberie du domicile.
 2. Les visites de service pour réparer ou remplacer les ampoules électriques de l'appareil, les filtres à air ou les filtres à eau. Les pièces consommables ne sont pas couvertes par la garantie.
 3. Les réparations lorsque le gros appareil ménager est utilisé à des fins autres que l'usage unifamilial normal ou lorsque les instructions d'installation et/ou les instructions de l'opérateur ou de l'utilisateur fournies ne sont pas respectées.
 4. Les dommages imputables à : accident, modification, usage impropre ou abusif, incendie, inondation, actes de Dieu, installation fautive ou installation non conforme aux codes d'électricité ou de plomberie, ou l'utilisation de pièces consommables ou de produits nettoyants non approuvés par Jenn-Air.
 5. Les défauts apparents, notamment les éraflures, les bosses, fissures ou tout autre dommage au fini du gros appareil ménager, à moins que ces dommages soient dus à des vices de matériaux ou de fabrication et soient signalés à Jenn-Air dans les 30 jours suivant la date d'achat.
 6. Toute perte d'aliments due à une défaillance du réfrigérateur ou du congélateur.
 7. Les coûts associés au transport du gros appareil ménager du domicile pour réparation. Ce gros appareil ménager est conçu pour être réparé à domicile et seul le service à domicile est couvert par la présente garantie.
 8. Les réparations aux pièces ou systèmes résultant d'une modification non autorisée faite à l'appareil.
 9. Les frais de transport pour le service d'un produit si votre gros appareil est situé dans une région éloignée où un service d'entretien Jenn-Air autorisé n'est pas disponible.
 10. La dépose et la réinstallation de votre gros appareil si celui-ci est installé dans un endroit inaccessible ou n'est pas installé conformément aux instructions d'installation fournies.
 11. Les gros appareils ménagers dont les numéros de série et de modèle originaux ont été enlevés, modifiés ou qui ne peuvent pas être facilement identifiés. La présente garantie est nulle si le numéro de série d'usine a été modifié ou enlevé du gros appareil ménager.
- Le coût d'une réparation ou d'un remplacement dans le cadre de ces circonstances exclues est à la charge du client.

CLAUSE D'EXONÉRATION DE RESPONSABILITÉ AU TITRE DES GARANTIES IMPLICITES; LIMITATION DES RECOURS

LE SEUL ET EXCLUSIF RECOURS DU CLIENT DANS LE CADRE DE LA PRÉSENTE GARANTIE LIMITÉE CONSISTE EN LA RÉPARATION PRÉVUE CI-DESSUS. LES GARANTIES IMPLICITES, Y COMPRIS LES GARANTIES APPLICABLES DE QUALITÉ MARCHANDE ET D'APTITUDE À UN USAGE PARTICULIER, SONT LIMITÉES À UN AN OU À LA PLUS COURTE PÉRIODE AUTORISÉE PAR LA LOI. JENN-AIR N'ASSUME AUCUNE RESPONSABILITÉ POUR LES DOMMAGES FORTUITS OU INDIRECTS. CERTAINES JURIDICTIONS NE PERMETTENT PAS L'EXCLUSION OU LA LIMITATION DES DOMMAGES FORTUITS OU INDIRECTS, OU LES LIMITATIONS DE LA DURÉE DES GARANTIES IMPLICITES DE QUALITÉ MARCHANDE OU D'APTITUDE À UN USAGE PARTICULIER, DE SORTE QUE CES EXCLUSIONS OU LIMITATIONS PEUVENT NE PAS S'APPLIQUER DANS VOTRE CAS. CETTE GARANTIE VOUS CONFÈRE DES DROITS JURIDIQUES SPÉCIFIQUES ET VOUS POUVEZ ÉGALEMENT JOUIR D'AUTRES DROITS QUI PEUVENT VARIER D'UNE JURIDICTION À UNE AUTRE.

Si vous résidez à l'extérieur du Canada et des 50 États des États-Unis, contactez votre marchand Jenn-Air autorisé pour déterminer si une autre garantie s'applique.

Si vous avez besoin de service, voir d'abord la section "Dépannage" du Guide d'utilisation et d'entretien. Après avoir vérifié la section "Dépannage", de l'aide supplémentaire peut être trouvée en vérifiant la section "Assistance ou service" ou en appelant Jenn-Air. Aux É.-U., composer le **1-800-536-6247**. Au Canada, composer le **1-800-807-6777**.

6/09

Conservez ce manuel et votre reçu de vente ensemble pour référence ultérieure. Pour le service sous garantie, vous devez présenter un document prouvant la date d'achat ou d'installation.

Inscrivez les renseignements suivants au sujet de votre gros appareil ménager pour mieux vous aider à obtenir assistance ou service en cas de besoin. Vous devrez connaître le numéro de modèle et le numéro de série au complet. Vous trouverez ces renseignements sur la plaque signalétique située sur le produit.

Nom du marchand _____

Adresse _____

Numéro de téléphone _____

Numéro de modèle _____

Numéro de série _____

Date d'achat _____

W10399389A

© 2011.
All rights reserved.
Tous droits réservés.

©Registered Trademark™Trademark of Jenn-Air, U.S.A. Used under license by Maytag Limited in Canada.
©Marque déposée/™Marque de commerce de Jenn-Air, U.S.A. Emploi sous licence par Maytag Limited au Canada.

3/11
Printed in U.S.A.
Imprimé aux É.-U.