
30" (76.2 CM) AND 36" (91.4 CM) ELECTRIC DOWNDRAFT COOKTOP INSTALLATION INSTRUCTIONS

INSTRUCTIONS D'INSTALLATION DE LA TABLE DE CUISSON ÉLECTRIQUE AVEC ASPIRATION PAR LE BAS DE 30 PO (76,2 CM) ET 36 PO (91,4 CM)

Table of Contents/Table des matières

COOKTOP SAFETY	2	SÉCURITÉ DE LA TABLE DE CUISSON	11
INSTALLATION REQUIREMENTS	2	EXIGENCES D'INSTALLATION	11
Tools and Parts.....	2	Outils et pièces.....	11
Location Requirements.....	3	Exigences d'emplacement.....	12
Venting Requirements.....	4	Exigences concernant l'évacuation.....	13
Venting Methods.....	5	Méthodes d'évacuation.....	14
Electrical Requirements.....	7	Spécifications électriques.....	16
INSTALLATION INSTRUCTIONS	8	INSTRUCTIONS D'INSTALLATION	17
Prepare Cooktop.....	8	Préparation de la table de cuisson.....	17
Install Foam Strip.....	9	Installation des bandes de mousse.....	18
Install Cooktop.....	9	Installation de la table de cuisson.....	18
Make Electrical Connection.....	9	Raccordement électrique.....	18
Complete Installation.....	10	Terminer l'installation.....	19

IMPORTANT:

Save for local electrical inspector's use.

IMPORTANT :

Conserver ces instructions à l'usage de l'inspecteur des installations électriques local.

COOKTOP SAFETY

Your safety and the safety of others are very important.

We have provided many important safety messages in this manual and on your appliance. Always read and obey all safety messages.



This is the safety alert symbol.

This symbol alerts you to potential hazards that can kill or hurt you and others.

All safety messages will follow the safety alert symbol and either the word "DANGER" or "WARNING."

These words mean:

⚠ DANGER

You can be killed or seriously injured if you don't immediately follow instructions.

⚠ WARNING

You can be killed or seriously injured if you don't follow instructions.

All safety messages will tell you what the potential hazard is, tell you how to reduce the chance of injury, and tell you what can happen if the instructions are not followed.

INSTALLATION REQUIREMENTS

Tools and Parts

Gather the required tools and parts before starting installation. Read and follow the instructions provided with any tools listed here.

Tools needed

- Tape measure
- Flat-blade screwdriver
- Phillips head screwdriver
- Drill
- Level
- 6" (15.2 cm) socket extension
- Marker or pencil
- Pliers
- 1/4" (6.4 mm) drill bit
- Jigsaw
- Ratchet with 3/8" (9.5 mm) socket
- 1/4" (6.4 mm) nut driver

Parts supplied

- Vent grille
- Pre-filter
- Plenum
- Plenum screw pack
- Downdraft motor assembly

Parts needed

- A UL Listed or CSA Approved strain relief for 7/8" (2.2 cm) knockout.
- A UL Listed or CSA Approved conduit connector for 1/2" (1.3 cm) trade-size metal-clad conduit
- UL Listed wire connectors
- Metal ducting
- Wall cap
- 6" (15.2 cm) Round Surface Wall Cap Damper Order Part Number A406
- 3 1/4" x 10" (8.3 cm x 25.4 cm) Surface Wall Cap Damper Order Part Number A403
- Vent clamps

To order, see the "Assistance or Service" section of the Use and Care Guide.

Check local codes. Check existing electrical supply. See the "Electrical Requirements" section.

It is recommended that all electrical connections be made by a licensed, qualified electrical installer.

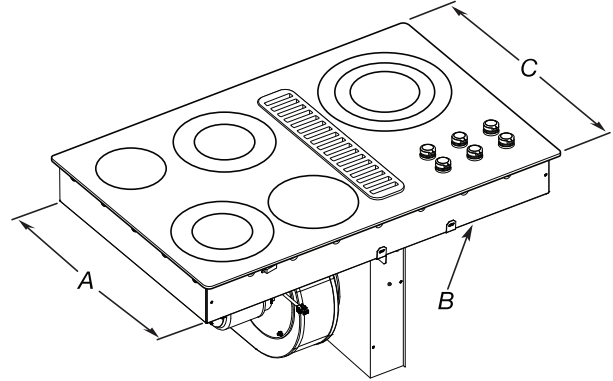
Location Requirements

IMPORTANT: Observe all governing codes and ordinances. When installing cooktop, use minimum dimensions given.

- Use the countertop opening dimensions that are given with these Installation Instructions. Given dimensions are minimum clearances and provide 0" (0 cm) clearance.
- Grounded electrical supply is required. See the "Electrical Requirements" section.
- If cabinet has drawers, drawers will need to be removed and drawer fronts installed on front of cabinet.
- To eliminate the risk of burns or fire by reaching over the heated surface units, cabinet storage space located above the surface units should be avoided. If cabinet storage is provided, the risk can be reduced by installing a range hood or microwave hood combination that projects horizontally a minimum of 5" (12.7 cm) beyond the bottom cabinets.

IMPORTANT: An undercounter built-in oven cannot be installed under this product.

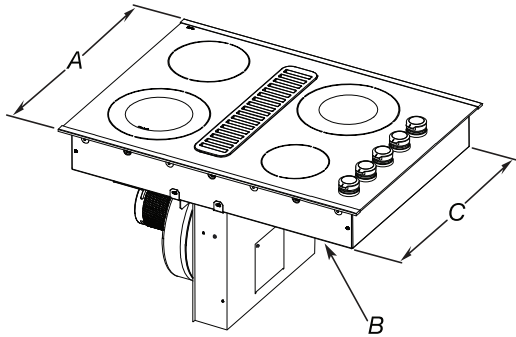
36" (91.4 cm) Cooktop – for standard and electric models



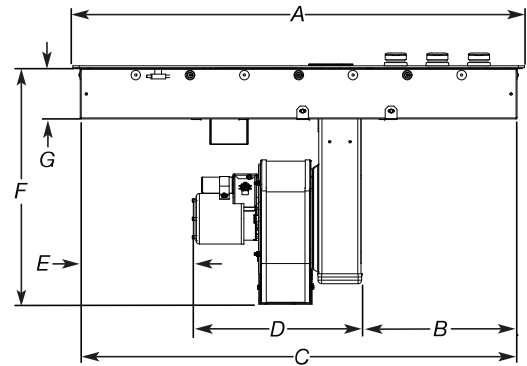
- A. $20^{53}/64$ " (52.9 cm) screw head to screw head
- B. Model/serial/rating/clearance plate location
- C. $22^{1}/16$ " (56.0 cm) without stainless steel trim or $22^{1}/2$ " (57.2 cm) or 23" (58.5 cm) with stainless steel trim (depending on model)

Product Dimensions

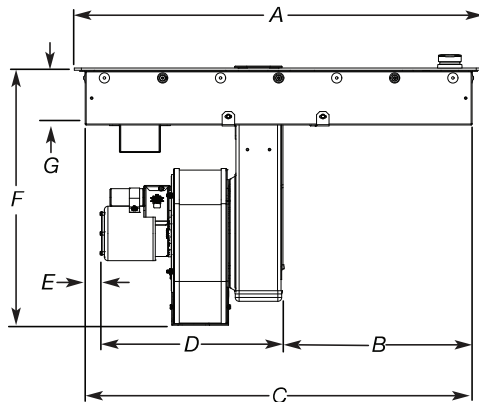
30" (76.2 cm) Cooktop – for standard and electric models



- A. $22^{1}/16$ " (56.0 cm) without stainless steel trim or $22^{1}/2$ " (57.2 cm) or 23" (58.5 cm) with stainless steel trim (depending on model)
- B. Model/serial/rating/clearance plate location
- C. $20^{53}/64$ " (52.9 cm) screw head to screw head



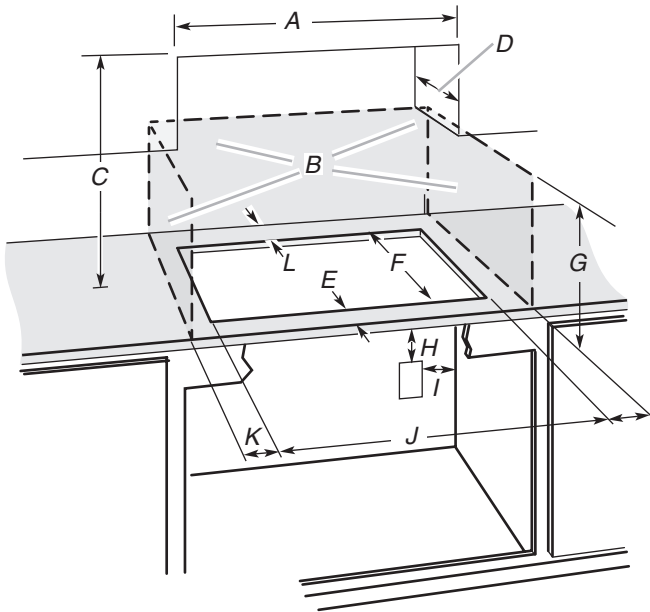
- A. $36^{5}/16$ " (92.3 cm)
- B. $11^{13}/16$ " (30.0 cm)
- C. $34^{1}/4$ " (87.0 cm)
- D. $14^{29}/64$ " (36.7 cm)
- E. 8" (20.3 cm)
- NOTE:** 2" (5.1 cm) recommended minimum cabinet to motor clearance
- F. $17^{29}/32$ " (45.5 cm)
- G. $3^{3}/4$ " (9.5 cm)



- A. $30^{7}/8$ " (78.4 cm)
- B. $12^{7}/16$ " (31.6 cm)
- C. $28^{35}/64$ " (72.5 cm)
- D. $14^{29}/64$ " (36.7 cm)
- E. $1^{41}/64$ " (4.2 cm)
- NOTE:** 2" (5.1 cm) recommended minimum cabinet to motor clearance
- F. $17^{29}/32$ " (45.5 cm)
- G. $3^{3}/4$ " (9.5 cm)

Cabinet Dimensions

IMPORTANT: If installing a range hood or microwave hood combination above the range, follow the range hood or microwave hood combination installation instructions for dimensional clearances above the cooktop surface.

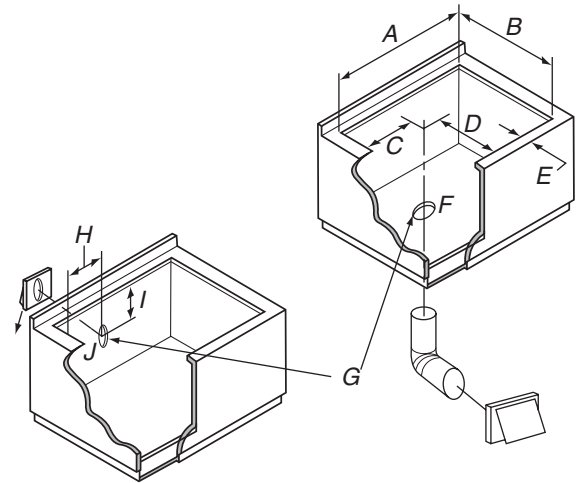


- A. 30" (76.2 cm) on 30" (76.2 cm) models
36" (91.4 cm) on 36" (91.4 cm) models
- B. Side and rear surfaces illustrated by dashed box above, must meet the minimum clearances to combustible material as defined in dimensions K and L below.
- C. 30" (76.2 cm) minimum clearance between top of cooktop platform and bottom of uncovered wood or metal cabinet (24" [61 cm] minimum clearance if bottom of wood or metal cabinet is covered by not less than 1/4" [6.4 mm] flame retardant millboard covered with not less than No. 28 MSG sheet steel, 0.015" [0.04 cm] stainless steel, 0.024" [0.06 cm] aluminum, or 0.020" [0.05 cm] copper)
- D. 13" (33 cm) recommended upper cabinet depth
- E. 2" (5.1 cm)
- F. 21¹/₈" (53.7 cm)
- G. 18" (45.7 cm) minimum clearance from upper cabinet to countertop within minimum horizontal clearances to cooktop
- H. Junction box or outlet: 12" (30.5 cm) minimum from bottom of countertop
- I. Junction box or outlet: 10" (25.4 cm) from right-hand side of cabinet
- J. 28⁷/₈" (73.3 cm) on 30" (76.2 cm) models
34⁹/₁₆" (87.8 cm) on 36" (91.4 cm) models
- K. 2¹/₂" (6.4 cm) minimum distance to nearest left and right side combustible surface above cooktop
- L. 1¹/₂" (3.81 cm) minimum distance from the back of the cooktop cutout to the nearest back side combustible surface above cooktop.

NOTE: After making the countertop cutout, some installations may require notching down the base cabinet side walls to clear the cooktop base. To avoid this modification, use a base cabinet with sidewalls wider than the cutout.

- A minimum side clearance of 6" (15.2 cm) is recommended between side of cooktop and side wall for maximum ventilation performance.

Cutout Dimensions



- A. 28⁷/₈" (73.3 cm) maximum on 30" (76.2 cm) models
34⁹/₁₆" (87.8 cm) maximum on 36" (91.4 cm) models
- B. 21¹/₈" (53.7 cm) maximum on both 30" (76.2 cm) and 36" (91.4 cm) models
- C. 8¹¹/₃₂" (21.2 cm) on 30" (76.2 cm) models
14¹¹/₁₆" (37.3 cm) on 36" (91.4 cm) models
- D. 6¹⁹/₆₄" (16.0 cm) on both 30" (76.2 cm) and 36" (91.4 cm) models
- E. 2" (5.1 cm) minimum space to front edge of cooktop
- F. Floor exhaust option
- G. 6¹/₈" (15.6 cm) for 6" (15.2 cm) vent system
5¹/₈" (13 cm) for 5" (12.7 cm) vent system
- H. 8¹¹/₃₂" (21.2 cm) on 30" (76.2 cm) models
14¹¹/₁₆" (37.3 cm) on 36" (91.4 cm) models
- I. 13¹³/₁₆" (35.1 cm) on both 30" (76.2 cm) and 36" (91.4 cm) models
- J. Wall exhaust option

Venting Requirements

IMPORTANT: This cooktop must be exhausted outdoors unless using the Duct-Free Filter Accessory Kit. See the "Venting Methods" section.

- Do not terminate the vent system in an attic or other enclosed area.
- Use a vent cap.
- Vent system must terminate to the outside.
- Use only a 6" (15.2 cm) diameter round or 3¹/₄" x 10" (8.3 cm x 25.4 cm) rectangular vent except as follows: For electric cooktops, a 5" (12.7 cm) diameter round vent may be used for venting straight out the back of the cooktop and directly through the wall for 10 ft (3.0 m) or less.
- Before making cutouts, make sure there is proper clearance within the wall or floor for the exhaust vent.
- Do not cut a joist or stud unless absolutely necessary. If a joist or stud must be cut, then a supporting frame must be constructed.
- The size of the vent should be uniform.
- The vent system must have a damper.
- Use vent clamps to seal all joints in the vent system.
- Use caulking to seal exterior wall or roof opening around the cap.
- Determine which venting method is best for your application.

For Best Performance:

- Use 26-gauge minimum galvanized or 25-gauge minimum aluminum metal vent. Poor quality pipe fittings can reduce airflow. Flexible metal vent is not recommended.
- NOTE:** Local codes may require a heavier gauge material.
- Metal duct may be reduced to 30-gauge galvanized steel or 26-gauge aluminized steel if allowed by local codes. This reduction is based on information in the International Residential Codes Section M1601.1 (2006 edition).
- Do not install 2 elbows together.
- Use no more than three 90° elbows.
- If an elbow is used, install it as far away as possible from the vent motor exhaust opening.
- Make sure there is a minimum of 18" (45.7 cm) of straight vent between the elbows if more than one elbow is used.
- Elbows too close together can cause excess turbulence that reduces airflow.
- Do not use a 5" (12.7 cm) elbow in a 6" (15.2 cm) or 3 1/4" x 10" (8.3 cm x 25.4 cm) system.
- Do not reduce to a 5" (12.7 cm) system after using 6" (15.2 cm) or 3 1/4" x 10" (8.3 cm x 25.4 cm) fittings.
- Avoid forming handmade crimps. Handmade crimps may restrict airflow.
- Use a vent cap for proper performance. If an alternate wall or roof cap is used, be certain the cap size is not reduced and that it has a backdraft damper.
- Use vent clamps to seal all joints in the vent system.
- Use caulking to seal exterior wall or roof opening around the cap.

The length of vent system and number of elbows should be kept to a minimum to provide efficient performance.

The maximum equivalent length of the vent system is 60 ft (18.3 m). For altitudes above 4,500 ft (1372 m), reduce recommended vent run by 20% for best performance.

Cold Weather Installations

An additional backdraft damper should be installed to minimize backward cold air flow.

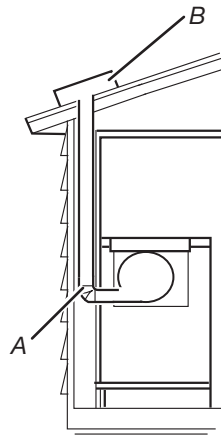
Makeup Air

Local building codes may require the use of makeup air systems when using ventilation systems greater than specified CFM of air movement. The specified CFM varies from locale to locale. Consult your HVAC professional for specific requirements in your area.

Venting Methods

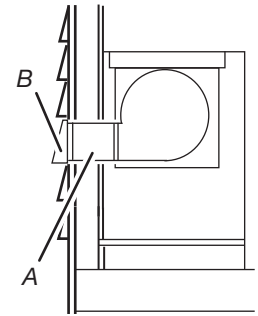
Common venting methods are shown for a counter-mounted downdraft cooktop. The cooktop may be vented through the wall or floor.

Option 1 - Roof Venting



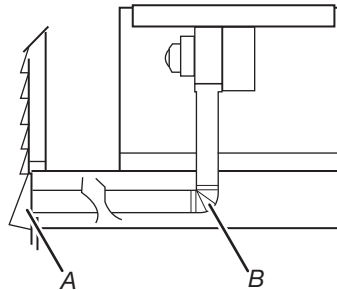
A. 6" (15.2 cm) round roof venting
B. Roof cap

Option 2 - Wall Venting



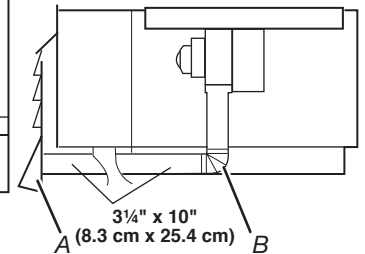
A. 6" (15.2 cm) round wall venting
B. Wall cap

Option 3 - Venting Between Floor Joist



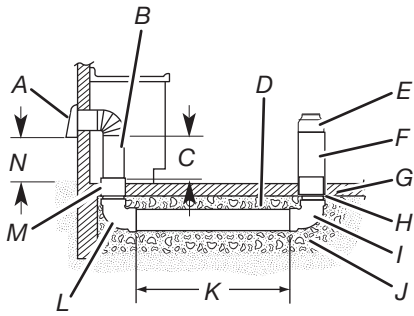
A. Wall cap
B. 6" (15.2 cm) round wall venting

Option 4 - Venting Behind Cabinet Kick Plate



A. Wall cap
B. 6" (15.2 cm) round wall venting

Concrete Slab Installations – Exhaust Through Wall







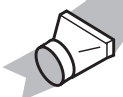
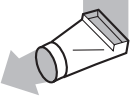

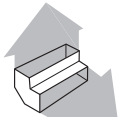
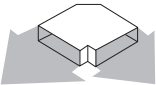

- A. Wall cap
- B. 6" (15.2 cm) round metal vent
- C. 16" (40.6 cm) maximum
- D. 6" (15.2 cm) round PVC sewer pipe
- E. 6" (15.2 cm) round metal duct
- F. 6" (15.2 cm) round PVC coupling
- G. Concrete slab
- H. 6" (15.2 cm) round PVC sewer pipe
- I. 6" (15.2 cm) round 90° PVC sewer pipe elbow
- J. Tightly pack gravel or sand completely around pipe.
- K. 30 ft (9.1 m) max.
- L. 6" (15.2 cm) round 90° PVC sewer pipe elbow
- M. 6" (15.2 cm) round PVC coupling
- N. 12" (30.5 cm) minimum

Duct-Free Filter Accessory Kit

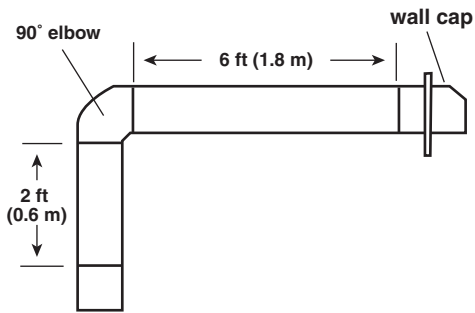
The Duct-Free Filter Accessory Kit Part Number JDA7000WX is now available. Duct-Free Filter Accessory Kit is ideal for both new construction and kitchen renovation projects because it provides an easy alternative to the installation of metal ducting and venting in the downdraft system outside the home. The kit includes all required hardware, one filter and complete installation instructions. Replacement Filter Part Number W10177003 is available.

Calculating Vent System Length

To calculate the length of the system you need, add the equivalent feet (meters) for each vent piece used in the system.

Vent Piece	6" (15.2 cm) Round	
45° elbow	2.5 ft (0.8 m)	
90° elbow	5.0 ft (1.5 m)	
6" (15.2 cm) wall cap	0.0 ft (0.0 m)	
3 1/4" x 10" (8.3 cm x 25.4 cm) to 6" (15.2 cm) transition	4.5 ft (1.4 m)	
6" (15.2 cm) to 3 1/4" x 10" (8.3 cm x 25.4 cm) transition	1 ft (0.3 m)	
3 1/4" x 10" (8.3 cm x 25.4 cm) to 6" (15.2 cm) 90° elbow transition	5.0 ft (1.5 m)	
6" (15.2 cm) to 3 1/4" x 10" (8.3 cm x 25.4 cm) 90° elbow transition	5.0 ft (1.5 m)	
3 1/4" x 10" (8.3 cm x 25.4 cm) 90° elbow	5.0 ft (1.5 m)	
3 1/4" x 10" (8.3 cm x 25.4 cm) flat elbow	12.0 ft (3.7 m)	
3 1/4" x 10" (8.3 cm x 25.4 cm) wall cap	0.0 ft (0.0 m)	

Example vent system



1 - 90° elbow	= 5 ft (1.5 m)
8 ft (2.4 m) straight	= 8 ft (2.4 m)
1 - wall cap	= 0 ft (0 m)
System length	= 13 ft (3.9 m)

NOTE: Flexible vent is not recommended. Flexible vent creates back pressure and air turbulence that greatly reduce performance.

Electrical Requirements

⚠ WARNING



Electrical Shock Hazard

Disconnect power before servicing.

Use 8 gauge copper wire.

Electrically ground cooktop.

Failure to follow these instructions can result in death, fire, or electrical shock.

If codes permit and a separate ground wire is used, it is recommended that a qualified electrical installer determine that the ground path and wire gauge are in accordance with local codes.

Check with a qualified electrical installer if you are not sure the cooktop is properly grounded.

Make sure that the electrical connection and wire size are adequate and in conformance with the National Electrical Code, ANSI/NFPA 70-latest edition or CSA Standards C22.1-94, Canadian Electrical Code, Part 1 and C22.2 No. 0-M91-latest edition, and all local codes and ordinances.

A copy of the above code standards can be obtained from:

National Fire Protection Association
1 Batterymarch Park
Quincy, MA 02169-7471

CSA International
8501 East Pleasant Valley Road
Cleveland, Ohio 44131-5575

Before You Make the Electrical Connection:

To properly install your cooktop, you must determine the type of electrical connection you will be using and follow the instructions provided for it here.

- A 4-wire or 3-wire, single-phase, 120/240 V, 60 Hz, AC-only electrical supply on a separate, 40 A circuit breaker is required for both 30" (76.2 cm) and 36" (91.4 cm) models. If a fused system is used, fuse both sides of the line.
- The cooktop should be connected directly to the junction box through the flexible metal conduit. The flexible, armored cable extending from the fuse box or circuit breaker box should be connected directly to the junction box.
- Locate the junction box to allow as much slack as possible between the junction box and the cooktop so that the cooktop can be moved if servicing becomes necessary in the future.
- A UL Listed or CSA Approved conduit connector must be provided at each end of the power supply cable (at the cooktop and at the junction box).
- If the house has aluminum wiring, follow the procedure below:
 - Connect the aluminum wiring using special connectors and/or tools designed and UL Listed for joining copper to aluminum.

Follow the electrical connector manufacturer's recommended procedure. Aluminum/copper connection must conform with local codes and industry-accepted wiring practices.

INSTALLATION INSTRUCTIONS

Prepare Cooktop

Decide on the final location for the cooktop.

WARNING

Excessive Weight Hazard

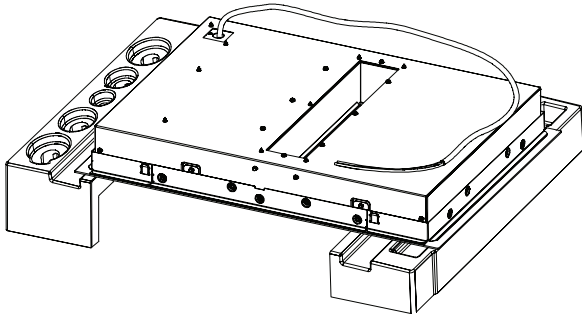
**Use two or more people to move and install cooktop.
Failure to do so can result in back or other injury.**

IMPORTANT: Do not cut top of product packaging. This may damage the product.

1. Open product as instructed on product packaging.
2. Remove all items from both sides of the foam and set aside. Take out packaging foam and set aside to lay cooktop on.

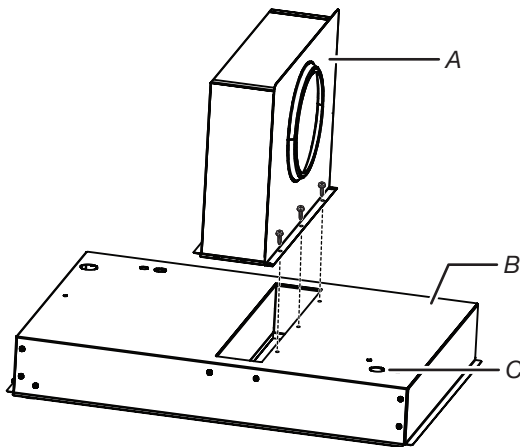
IMPORTANT: Do not place packaging foam on knobs.

3. Using two or more people, remove cooktop and place the cooktop upside down on the packaging foam, making sure the knobs are not laid on the packaging foam.



4. Remove plenum and plenum screw pack (in the package containing literature).
5. Remove downdraft motor assembly.
6. Place plenum on bottom of cooktop with round opening to the motor wire harness.

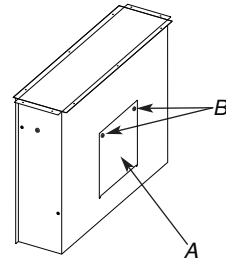
NOTE: All holes are pre-drilled. If all six holes do not line up, reverse plenum.



A. Plenum
B. Cooktop
C. Motor wire harness

7. Using a 1/4" (6.4 mm) nut driver, screw in the six screws from the package containing literature to attach plenum.

8. Remove access panel from plenum using a 1/4" (6.4 mm) nut driver and set aside.

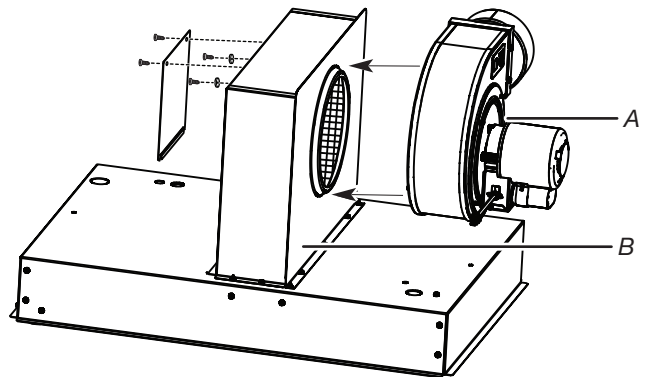


A. Access panel
B. Two screws

9. Remove four locking nuts and four washers from the package containing literature.

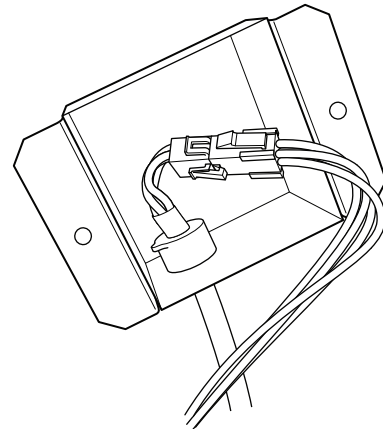
NOTE: Remove the four protective caps from the motor mounting posts.

10. Place blower motor on plenum and rotate blower outlet to where it matches the ductwork.

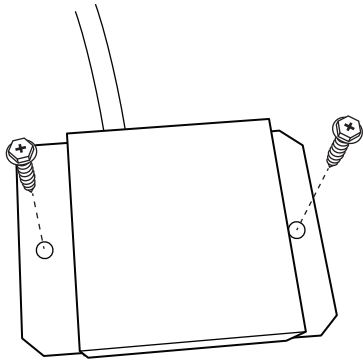


A. Blower motor
B. Plenum

11. Install and finger-tighten the four washers and locking nuts that were removed through the opening of the motor access panel. Do not over-tighten to allow for motor to rotate.
12. Connect blower electrical connector to cooktop.



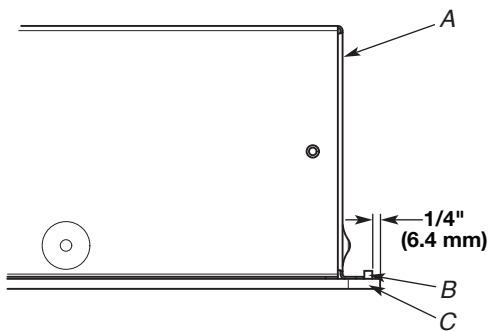
- Using a 1/4" (6.4 mm) nut driver, screw the electrical junction cover to the burner box with two screws.



Install Foam Strip

- Remove foam strip from the package containing literature.
- Remove backing from foam strip.
- Remove one of the four foam strips.
- Apply foam strip adhesive-side down around bottom of cooktop, 1/4" (6.4 mm) from edge and cut out excessive material 1/4" (6.4 mm) from edge.

NOTE: The foam strip keeps the underside of the cooktop glass free from debris and helps the cooktop sit flat on uneven counters.



A. Cooktop base
B. Foam strip
C. Glass

- Repeat steps 3 and 4 for remaining edges.

Install Cooktop

⚠ WARNING

Excessive Weight Hazard

Use two or more people to move and install cooktop.
Failure to do so can result in back or other injury.

- Using two or more people, lift the cooktop from packaging foam and install the cooktop into the countertop cutout by tilting one end of the cooktop into the cutout, then lowering the other end into the cutout.

NOTE: Make sure that the front edge of the cooktop is parallel to the front edge of the countertop. If repositioning is needed, lift entire cooktop up from cutout to avoid scratching the countertop.

- Rotate motor to align with duct work and attach ducting.
- Fully tighten motor and, using a 1/4" (6.4 mm) nut driver, reattach motor access cover with 2 screws.

IMPORTANT: Verify that the motor access cover is fully tightened and back on the plenum.

- Using a wood block between the screw and the countertop, moderately tighten the screws to secure the cooktop.

IMPORTANT: Do not tighten screws directly against the countertop.

- Install grease filter.

NOTES:

- The filter should always be placed at an angle. As you face the front of the cooktop, the top of the filter should rest against the right side of the vent opening.
- The bottom of the filter should rest against the left side of the vent chamber at the bottom.
- If the filter is flat against the fan wall, ventilation effectiveness will be reduced.

- Install vent grille.

Make Electrical Connection

⚠ WARNING



Electrical Shock Hazard

Disconnect power before servicing.

Use 8 gauge copper wire.

Electrically ground cooktop.

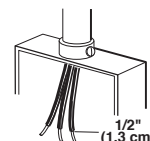
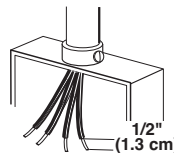
Failure to follow these instructions can result in death, fire, or electrical shock.

This cooktop is manufactured with the frame connected to the bare ground wire. Connect the cooktop cable to the junction box through the UL Listed or CSA Approved conduit connector.

- Disconnect power.
- Remove junction box cover, if present.
- Connect the flexible cable conduit from the cooktop to the junction box using a UL Listed or CSA Approved conduit connector.
- Tighten screws on conduit connector if present.
- See the "Electrical Connection Options" chart to complete installation for your type of electrical connection.

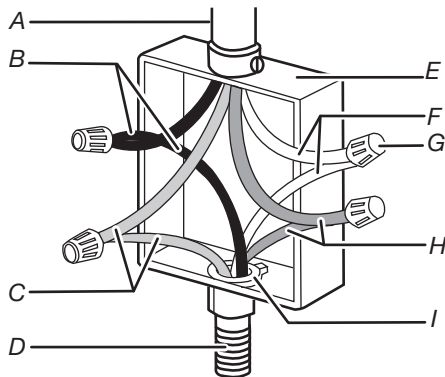
Electrical Connection Options

If your home has:	And you will be connecting to:	Go to Section:
4-wire	A fused disconnect or circuit breaker box	4-Wire Cable from Home Power Supply to 4-Wire Cable from Cooktop
3-wire	A fused disconnect or circuit breaker box	3-Wire Cable from Home Power Supply to 4-Wire Cable from Cooktop - U.S. only



4-Wire Cable from Home Power Supply to 4-Wire Cable from Cooktop

IMPORTANT: Use the 4-wire cable from home power supply in the U.S. where local codes do not allow grounding through neutral, new branch circuit installations (1996 NEC), mobile homes and recreational vehicles, new construction, and in Canada.

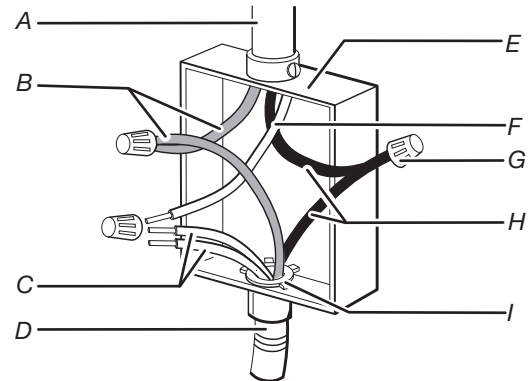


- | | |
|---------------------------------|------------------------------------------------|
| A. Cable from home power supply | F. White wires |
| B. Black wires | G. UL Listed wire connector |
| C. Bare ground wires | H. Red wires |
| D. 4-wire cable from cooktop | I. UL Listed or CSA Approved conduit connector |
| E. Junction box | |

1. Connect the two black wires together using the UL Listed wire connectors.
2. Connect the two red wires together using the UL Listed wire connectors.
3. Connect the two white wires together using the UL Listed wire connectors.
4. Connect the green (or bare) ground wire from the cooktop cable to the green (or bare) ground wire (in the junction box) using the UL Listed wire connectors.
5. Install junction box cover.

3-Wire Cable from Home Power Supply to 4-Wire Cable from Cooktop - U.S. only

IMPORTANT: Use the 3-wire cable from power supply where local codes permit connecting the frame-ground conductor to the neutral (white) junction box wire.



- | | |
|-------------------------------------------------------|------------------------------------------------|
| A. Cable from home power supply | F. White wire |
| B. Red wires | G. UL Listed wire connector |
| C. White wire and green (or bare) wire (from cooktop) | H. Black wires |
| D. 4-wire cable from cooktop | I. UL Listed or CSA Approved conduit connector |
| E. Junction box | |

1. Connect the two black wires together using the UL Listed wire connectors.
2. Connect the two red wires together using the UL Listed wire connectors.
3. Connect the green or bare and white cooktop cable wires to the white (neutral) wire in the junction box using the UL Listed wire connectors.
4. Install junction box cover.

Complete Installation

1. Check that all parts are now installed. If there is an extra part, go back through the steps to see which step was skipped.
2. Check that you have all your tools.
3. Dispose of/recycle all packaging materials.
4. Use a mild solution of liquid household cleaner and warm water to clean cooktop before use. Dry thoroughly with a soft cloth. For more information, see the "Cooktop Care" section of the Use and Care Guide.
5. Read the "Cooktop Use" section in the cooktop Use and Care Guide.
6. Reconnect power.

NOTE: If the cooktop does not work after turning on the power, check that a circuit breaker has not tripped or a household fuse has not blown. See the "Troubleshooting" section in the Use and Care Guide for further information.

If you need Assistance or Service:

Please reference the "Warranty" section of the Use and Care Guide.

SÉCURITÉ DE LA TABLE DE CUISSON

Votre sécurité et celle des autres est très importante.

Nous donnons de nombreux messages de sécurité importants dans ce manuel et sur votre appareil ménager. Assurez-vous de toujours lire tous les messages de sécurité et de vous y conformer.



Voici le symbole d'alerte de sécurité.

Ce symbole d'alerte de sécurité vous signale les dangers potentiels de décès et de blessures graves à vous et à d'autres.

Tous les messages de sécurité suivront le symbole d'alerte de sécurité et le mot "DANGER" ou "AVERTISSEMENT". Ces mots signifient :

⚠ DANGER

Risque possible de décès ou de blessure grave si vous ne suivez pas immédiatement les instructions.

⚠ AVERTISSEMENT

Risque possible de décès ou de blessure grave si vous ne suivez pas les instructions.

Tous les messages de sécurité vous diront quel est le danger potentiel et vous disent comment réduire le risque de blessure et ce qui peut se produire en cas de non-respect des instructions.

EXIGENCES D'INSTALLATION

Outils et pièces

Rassembler les outils et pièces nécessaires avant d'entreprendre l'installation. Lire et observer les instructions fournies avec chacun des outils de la liste ci-dessous.

Outils nécessaires

- Ruban à mesurer
- Tournevis à tête plate
- Tournevis cruciforme
- Perceuse
- Niveau
- Rallonge pour clé à douille de 6 po (15,2 cm)
- Marqueur ou crayon
- Pince
- Foret de 1/4 po (6,4 mm)
- Scie sauteuse
- Clé à cliquet avec douille de 3/8 po (9,5 mm)
- Tourne-écrou de 1/4 po (6,4 mm)

Pièces fournies

- Grille de ventilation
- Préfiltre
- Chambre de distribution
- Paquet de vis pour chambre de distribution
- Moteur d'aspiration

Pièces nécessaires

- Un collier de serrage homologué par UL ou CSA pour alvéole défonçable de 7/8 po (2,2 cm).
- Un connecteur de conduit (homologation UL ou CSA) pour conduit à armature métallique de diamètre standard 1/2 po (1,3 cm)
- Connecteurs de fils (homologation UL)
- Conduit métallique
- Bouche d'évacuation murale
- Clapet de décharge en surface rond de 6 po (15,2 cm) – Référence de commande A406
- Clapet de décharge murale en surface de 3 1/4 po x 10 po (8,3 cm x 25,4 cm) – Référence de commande A403
- Pour commander, voir la section « Assistance ou service » du Guide d'utilisation et d'entretien.
- Brides de conduit

Consulter les codes locaux. Vérifier l'alimentation électrique existante. Voir la section « Spécifications électriques ».

Il est recommandé de faire réaliser tous les raccordements électriques par un électricien qualifié agréé.

Exigences d'emplacement

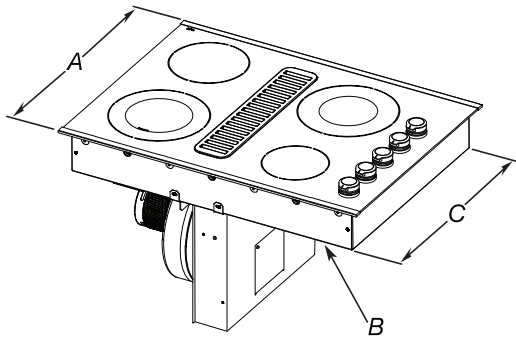
IMPORTANT : Observer les dispositions de tous les codes et règlements en vigueur. Lors de l'installation de la table de cuisson, utiliser les dimensions minimales indiquées.

- Utiliser les dimensions d'ouverture du comptoir qui sont indiquées dans ces instructions d'installation. Les dimensions données sont les espacements minimaux et fournissent un dégagement de 0 po (0 cm).
- Une source d'électricité avec liaison à la terre est nécessaire. Voir la section « Spécifications électriques ».
- Si l'armoire comporte des tiroirs, ces tiroirs doivent être retirés et l'avant des tiroirs installé sur l'avant de l'armoire.
- Pour éliminer les risques de brûlure ou d'incendie en se penchant au-dessus d'une surface qui chauffe, il est déconseillé d'utiliser l'espace de rangement des armoires situées au-dessus de l'appareil. Si des armoires de rangement sont prévues, le risque peut être réduit par l'installation d'une hotte de cuisinière ou d'un ensemble hotte/micro-ondes dépassant horizontalement de 5 po (12,7 cm) au moins par rapport au bas des armoires.

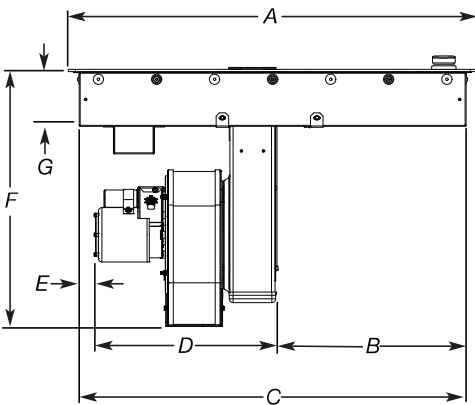
IMPORTANT : Il n'est pas possible d'installer un four encastré sous comptoir sous ce produit.

Dimensions du produit

Table de cuisson de 30 po (76,2 cm) – Pour les modèles standard et électriques

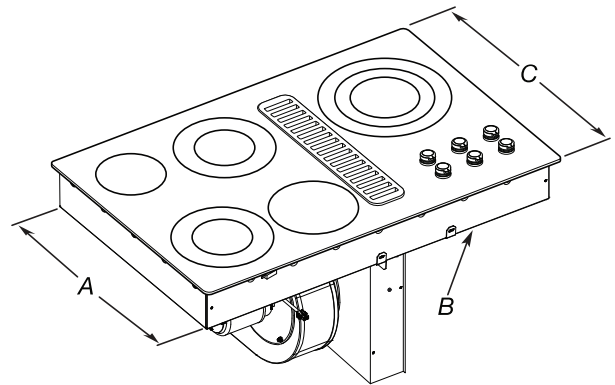


- A. 22 ¹/₁₆ po (56,0 cm) sans garniture en acier inoxydable ou 22 ¹/₂ po (57,2 cm) ou 23 po (58,5 cm) avec garniture en acier inoxydable (selon le modèle)
- B. Emplacement de la plaque signalétique indiquant modèle, n° de série, valeurs nominales et dégagements
- C. 20 ⁵³/₆₄ po (52,9 cm) d'une tête de vis à l'autre

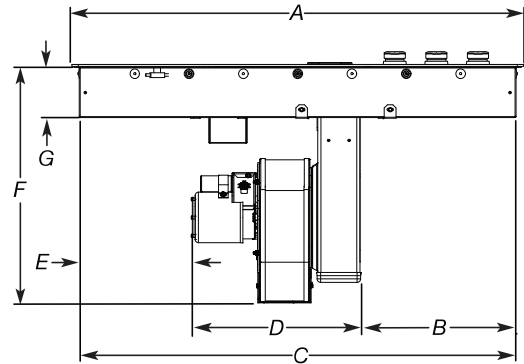


- A. 30 ⁷/₈ po (78,4 cm)
 - B. 12 ⁷/₁₆ po (31,6 cm)
 - C. 28 ³⁵/₆₄ po (72,5 cm)
 - D. 14 ²⁹/₆₄ po (36,7 cm)
 - E. 1 ⁴¹/₆₄ po (4,2 cm)
- REMARQUE :** Dégagement minimal de 2 po (5,1 cm) recommandé entre la caisse et le moteur
- F. 17 ²⁹/₃₂ po (45,5 cm)
 - G. 3 ³/₄ po (9,5 cm)

Table de cuisson de 36 po (91,4 cm) – Pour les modèles standard et électriques



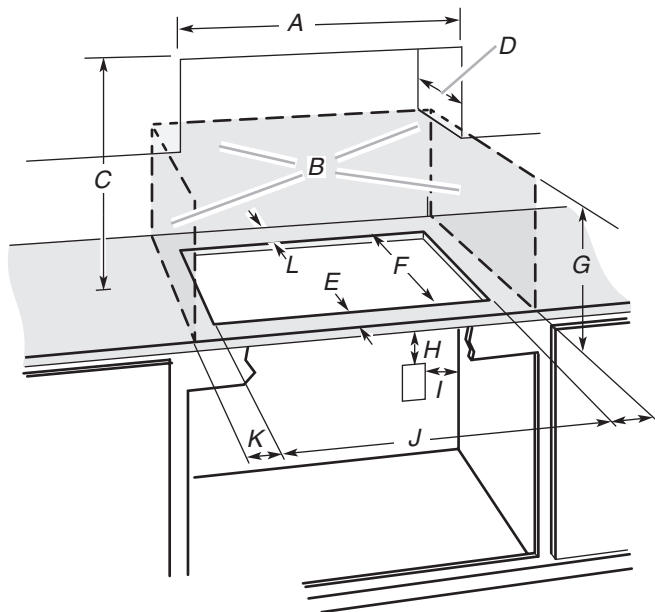
- A. 20 ⁵³/₆₄ po (52,9 cm) d'une tête de vis à l'autre
- B. Emplacement de la plaque signalétique indiquant modèle, n° de série, valeurs nominales et dégagements
- C. 22 ¹/₁₆ po (56,0 cm) sans garniture en acier inoxydable ou 22 ¹/₂ po (57,2 cm) ou 23 po (58,5 cm) avec garniture en acier inoxydable (selon le modèle)



- A. 36 ⁵/₁₆ po (92,3 cm)
 - B. 11 ¹³/₁₆ po (30,0 cm)
 - C. 34 ¹/₄ po (87,0 cm)
 - D. 14 ²⁹/₆₄ po (36,7 cm)
 - E. 8 po (20,3 cm)
- REMARQUE :** Dégagement minimal de 2 po (5,1 cm) recommandé entre la caisse et le moteur
- F. 17 ²⁹/₃₂ po (45,5 cm)
 - G. 3 ³/₄ po (9,5 cm)

Dimensions de l'armoire

IMPORTANT : En cas d'installation d'une hotte ou d'un ensemble hotte/micro-ondes au-dessus de la cuisinière, suivre les instructions fournies avec la hotte ou l'ensemble hotte/micro-ondes concernant les dimensions de dégagement à respecter au-dessus de la surface de la table de cuisson.

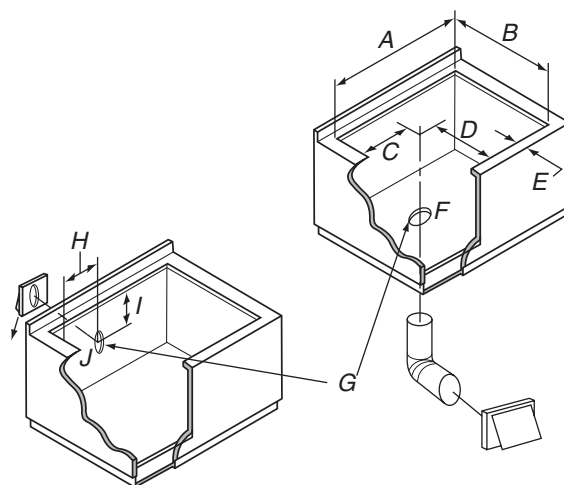


- A. 30 po (76,2 cm) sur les modèles de 30 po (76,2 cm), 36 po (91,4 cm) sur les modèles de 36 po (91,4 cm)
- B. Les surfaces latérales et arrière illustrées par des lignes pointillées ci-dessus doivent respecter le dégagement minimum avec les matériaux combustibles (dimensions K et L ci-dessous)
- C. Distance minimale de séparation de 30 po (76,2 cm) entre le dessus de la table de cuisson et le fond d'une armoire métallique ou de bois non couverte (distance de séparation de 24 po [61 cm] ou plus si le fond de l'armoire de métal ou de bois est recouvert d'une plaque d'au moins 1/4 po [6,4 mm] de matériau résistant aux flammes, lui-même recouvert d'une feuille métallique d'une épaisseur correspondant à un calibre de 28 au moins pour l'acier, 0,015 po [0,04 cm] pour l'acier inoxydable, 0,024 po [0,06 cm] pour l'aluminium ou 0,020 po [0,05 cm] pour le cuivre)
- D. Profondeur recommandée pour les armoires supérieures : 13 po (33 cm)
- E. 2 po (5,1 cm)
- F. 21 1/8 po (53,7 cm)
- G. Distance de séparation minimale de 18 po (45,7 cm) entre l'armoire supérieure et le plan de travail avec distance minimale de séparation horizontale pour la table de cuisson
- H. Boîtier de raccordement ou prise : 12 po (30,5 cm) minimum à partir du bas du plan de travail
- I. Boîtier de connexion ou prise : 10 po (25,4 cm) à partir de la droite de l'armoire
- J. 28 7/8 po (73,3 cm) sur les modèles de 30 po (76,2 cm)
34 9/16 po (87,8 cm) sur les modèles de 36 po (91,4 cm)
- K. Distance de séparation minimale de 2 1/2 po (6,4 cm) par rapport à la surface de matériau combustible la plus proche, à gauche ou à droite au-dessus de la table de cuisson
- L. Distance minimum de 1 1/2 po (3,81 cm) de l'arrière de la découpe de la table de cuisson au côté arrière le plus proche d'une surface combustible au-dessus de la table de cuisson

REMARQUE : Après le découpage de l'ouverture dans le plan de travail, il est possible que pour certaines configurations d'installation, il soit nécessaire d'entailler les parois latérales de l'armoire inférieure pour permettre le passage de la base de la table de cuisson. Pour éviter cette modification, utiliser une armoire inférieure dont la largeur entre les parois latérales est supérieure à celle de l'ouverture découpée.

- Un dégagement minimum de 6 po (15,2 cm) entre le côté de la table de cuisson et la paroi latérale est recommandé pour une performance maximale de ventilation.

Dimensions de l'ouverture à découper



- A. 28 7/8 po (73,3 cm) maximum sur les modèles de 30 po (76,2 cm)
34 9/16 po (87,8 cm) maximum sur les modèles de 36 po (91,4 cm)
- B. 21 1/8 po (53,7 cm) maximum sur les modèles de 30 po (76,2 cm) et de 36 po (91,4 cm)
- C. 8 11/32 po (21,2 cm) sur les modèles de 30 po (76,2 cm)
14 11/16 po (37,3 cm) sur les modèles de 36 po (91,4 cm)
- D. 6 19/64 po (16,0 cm) sur les modèles de 30 po (76,2 cm) et les modèles de 36 po (91,4 cm)
- E. Dégagement minimal de 2 po (5,1 cm) jusqu'au rebord avant de la table de cuisson
- F. Option d'évacuation par le plancher
- G. 6 1/8 po (15,6 cm) pour un système d'évacuation de 6 po (15,2 cm)
5 1/8 po (13 cm) pour un système d'évacuation de 5 po (12,7 cm)
- H. 8 11/32 po (21,2 cm) sur les modèles de 30 po (76,2 cm)
14 11/16 po (37,3 cm) sur les modèles de 36 po (91,4 cm)
- I. 13 13/16 po (35,1 cm) sur les modèles de 30 po (76,2 cm) et les modèles de 36 po (91,4 cm)
- J. Option d'évacuation par le mur

Exigences concernant l'évacuation

IMPORTANT : L'évacuation de cette table de cuisson doit se faire à l'extérieur à moins d'utiliser la trousse d'accessoires de filtration sans conduit. Voir la section « Méthodes d'évacuation ».

- Ne pas terminer le circuit d'évacuation dans un grenier ou dans un autre espace clos.
- Utiliser un clapet de conduit.
- Le circuit doit évacuer l'air à l'extérieur.
- Utiliser uniquement un clapet de 6 po (15,2 cm) de diamètre ou un clapet rectangulaire de 3 1/4 po x 10 po (8,3 cm x 25,4 cm), sauf dans le cas suivant : Pour les tables de cuisson électriques, un conduit rond de 5 po (12,7 cm) peut être utilisé pour une évacuation directement depuis l'arrière de la table de cuisson à travers le mur sur une longueur de 10 pi (3,0 m) ou moins.
- Avant d'effectuer des coupes, s'assurer que l'espace est suffisant sur le mur ou le plancher pour le conduit d'évacuation.
- On ne doit couper un poteau de colombage ou une solive que si c'est absolument nécessaire. Dans ce cas, on devra construire une structure de support appropriée.
- La taille du conduit doit être uniforme.
- Le circuit d'évacuation doit comporter un clapet anti-reflux.
- Pour assurer l'étanchéité de toutes les jonctions du circuit d'évacuation, utiliser des brides pour conduit.
- À l'aide d'un produit de calfeutrage, assurer l'étanchéité autour de la bouche de décharge à l'extérieur (à travers le mur ou le toit).
- Déterminer la méthode d'évacuation la plus appropriée.

Pour une performance optimale :

- Utiliser un conduit métallique en acier galvanisé de calibre 26 minimum ou en aluminium de calibre 25 minimum. Des raccords de tube de qualité médiocre peuvent réduire la circulation d'air. On déconseille l'emploi d'un conduit en métal flexible.

REMARQUE : Les codes locaux peuvent imposer un matériau d'épaisseur supérieure.

- Les conduits métalliques peuvent être réduits à de l'acier galvanisé de calibre 30 ou de l'acier galvanisé de calibre 26 si les codes locaux l'autorisent. Cette réduction repose sur les informations du document International Residential Codes Section M1601.1 (édition 2006).
- Ne pas installer 2 coudes ensemble.
- Ne pas utiliser plus de trois coudes à 90°.
- Si un coude est utilisé, on doit le placer le plus loin possible de l'ouverture de décharge du ventilateur.
- Veiller à incorporer une section de conduit rectiligne d'au moins 18 po (45,7 cm) entre deux raccords coudés adjacents.
- Des coudes trop rapprochés peuvent occasionner une turbulence excessive qui réduit la circulation de l'air.
- Ne pas utiliser un coude de 5 po (12,7 cm) dans un système de 6 po (15,2 cm) ou 3 1/4 po x 10 po (8,3 cm x 25,4 cm).
- Ne pas effectuer de réduction en un circuit de 5 po (12,7 cm) après avoir utilisé des raccords de 6 po (15,2 cm) ou 3 1/4 po x 10 po (8,3 cm x 25,4 cm).
- Éviter les assemblages par sertissage à la main. Les sertissages à la main peuvent réduire la circulation d'air.
- Utiliser un clapet de conduit pour que le rendement soit correct. Si une bouche de décharge de toit ou murale est utilisée, s'assurer que ses dimensions ne sont pas plus petites et qu'elle est équipée d'un clapet antiretour.
- Pour assurer l'étanchéité de toutes les jonctions du circuit d'évacuation, utiliser des brides pour conduit.
- À l'aide d'un produit de calfeutrage, assurer l'étanchéité autour de la bouche de décharge à l'extérieur (à travers le mur ou le toit).

La longueur du circuit d'évacuation et le nombre de coudes doivent être réduits au minimum pour des performances optimales.

La longueur équivalente maximale du circuit d'évacuation est de 60 pi (18,3 m). À une altitude supérieure à 4 500 pi (1 372 m), réduire la longueur du circuit d'évacuation de 20 % pour une meilleure performance.

Installations dans les régions au climat froid

On doit installer un clapet anti-reflux additionnel pour minimiser le reflux d'air froid.

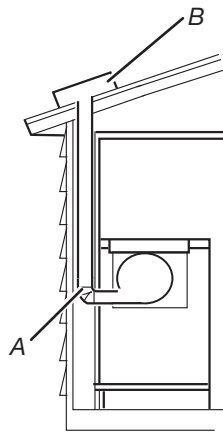
Air de compensation

Les codes locaux en bâtiment peuvent imposer l'emploi d'un circuit de renouvellement de l'air/introduction d'air de compensation, lors de l'utilisation d'un circuit d'aspiration de débit supérieur à une valeur spécifiée en pieds cubes par minute (CFM). Le débit spécifié en pieds cubes par minute varie d'une juridiction à l'autre. Consulter un professionnel des installations de chauffage ventilation/climatisation au sujet des exigences spécifiques applicables dans la juridiction locale.

Méthodes d'évacuation

Les méthodes d'évacuation standard illustrées correspondent à une table de cuisson avec aspiration par le bas montée sur comptoir. L'évacuation de la table de cuisson peut se faire par le mur ou le plancher.

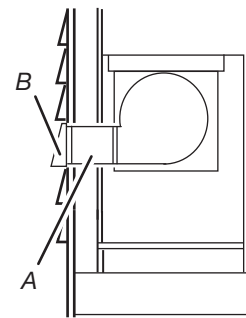
Option 1 – Décharge à travers le toit



A. Conduit rond de 6 po (15,2 cm) – sortie à travers le toit

B. Bouche de décharge sur toit

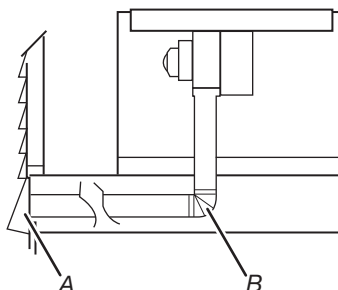
Option 2 – Décharge à travers le mur



A. Conduit rond de 6 po (15,2 cm) pour sortie à travers le mur

B. Bouche de décharge murale

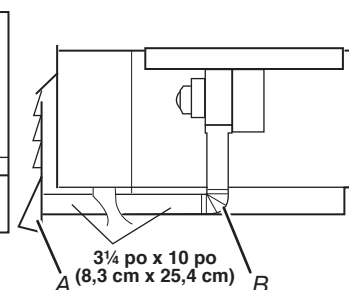
Option 3 – Évacuation entre les solives au plancher



A. Bouche de décharge murale

B. Conduit rond de 6 po (15,2 cm) pour sortie à travers le mur

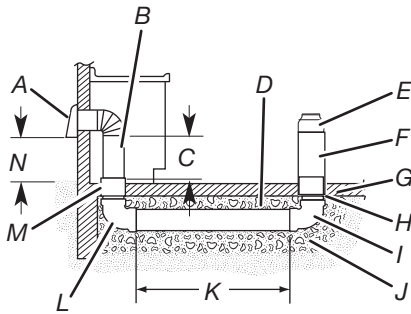
Option 4 – Évacuation derrière le garde-pieds de la caisse



A. Bouche de décharge murale

B. Conduit rond de 6 po (15,2 cm) pour sortie à travers le mur

Installations sur dalle de béton – Évacuation par le mur



- A. Bouche de décharge murale
 B. Conduit métallique rond de 6 po (15,2 cm)
 C. 16 po (40,6 cm) maximum
 D. Conduit en PVC rond de 6 po (15,2 cm) (pour égout)
 E. Conduit métallique rond de 6 po (15,2 cm)
 F. Raccord en PVC rond de 6 po (15,2 cm)
 G. Dalle de béton
 H. Conduit en PVC rond de 6 po (15,2 cm) (pour égout)
 I. Coude à 90° en PVC rond pour égout de 6 po (15,2 cm)
 J. Gravier ou sable compacté tout autour du tuyau
 K. 30 po (9,1 m) max.
 L. Coude à 90° en PVC rond pour égout de 6 po (15,2 cm)
 M. Raccord en PVC rond de 6 po (15,2 cm)
 N. 12 po (30,5 cm) minimum

Trousse d'accessoires de système de filtration sans conduit

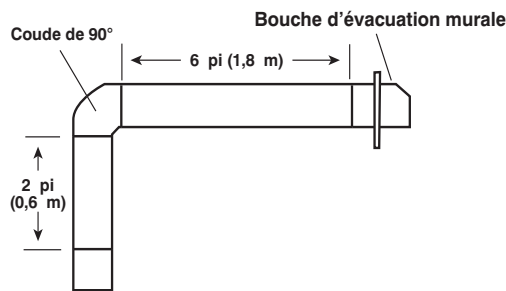
La trousse d'accessoires de système de filtration sans conduit (numéro de pièce JDA7000WX) est maintenant offerte. La trousse d'accessoires de filtration sans conduit est idéale pour les nouvelles constructions comme pour les projets de rénovation de cuisine, car elle offre une solution de remplacement à l'installation de conduits métalliques et à la décharge de système de ventilation vers l'extérieur du domicile. Cette trousse comprend tout le matériel nécessaire, un filtre et des instructions d'installation complètes. Le filtre de remplacement (numéro de pièce W10177003) est offert.

Calcul de la longueur du circuit d'évacuation

Pour calculer la longueur effective du circuit d'évacuation nécessaire, additionner les longueurs équivalentes (en pieds ou mètres) de tous les composants utilisés dans le circuit.

Composant	Conduit rond de 6 po (15,2 cm)	
Coude de 45°	2,5 pi (0,8 m)	
Coude de 90°	5,0 pi (1,5 m)	
Bouche de décharge murale de 6 po (15,2 cm)	0,0 pi (0,0 m)	
Raccord de transition de 3 1/4 po x 10 po (8,3 cm x 25,4 cm) vers 6 po (15,2 cm)	4,5 pi (1,4 m)	
Raccord de transition de 6 po (15,2 cm) vers 3 1/4 po x 10 po (8,3 cm x 25,4 cm)	1 pi (0,3 m)	
Raccord coudé à 90° de 3 1/4 po x 10 po (8,3 cm x 25,4 cm) vers 6 po (15,2 cm)	5,0 pi (1,5 m)	
Conduit coudé à 90° de 6 po (15,2 cm) vers 3 1/4 po x 10 po (8,3 cm x 25,4 cm)	5,0 pi (1,5 m)	
Coude à 90° de 3 1/4 po x 10 po (8,3 cm x 25,4 cm)	5,0 pi (1,5 m)	
Coude plat de 3 1/4 po x 10 po (8,3 cm x 25,4 cm)	12,0 pi (3,7 m)	
Bouche de décharge murale de 3 1/4 po x 10 po (8,3 cm x 25,4 cm)	0,0 pi (0,0 m)	

Exemple de circuit d'évacuation



1 coude de 90°	= 5 pi (1,5 m)
Section droite de 8 pi (2,4 m)	= 8 pi (2,4 m)
1 bouche de décharge murale	= 0 pi (0 m)
Longueur totale	= 13 pi (3,9 m)

REMARQUE : L'emploi d'un conduit flexible est déconseillé. Un conduit flexible peut causer une contre-pression et des turbulences d'air, qui réduisent considérablement la performance.

Spécifications électriques

AVERTISSEMENT



Risque de choc électrique

Déconnecter la source de courant électrique avant l'entretien.

Utiliser du fil en cuivre de calibre 8.

Relier la table de cuisson à la terre.

Le non-respect de ces instructions peut causer un décès, un incendie ou un choc électrique.

Si l'on utilise un conducteur distinct de liaison à la terre lorsque les codes le permettent, il est recommandé qu'un électricien qualifié vérifie que la liaison à la terre et le calibre des conducteurs sont conformes aux codes locaux.

Vérifier auprès d'un électricien qualifié si vous avez des doutes quant à la qualité de la liaison à la terre de la table de cuisson.

S'assurer que la connexion électrique et le calibre des fils sont appropriés et conformes au National Electrical Code, aux normes ANSI/NFPA 70 – dernière édition, ou aux normes CSA C22.1-94, au Code canadien de l'électricité, Partie 1 et C22.2 N° O-M91 – dernière édition, et à tous les codes et règlements locaux.

Pour obtenir un exemplaire des normes des codes ci-dessus, contacter :

National Fire Protection Association
1 Batterymarch Park
Quincy, MA 02169-7471
CSA International
8501 East Pleasant Valley Road
Cleveland, Ohio 44131-5575

Avant d'établir la connexion électrique :

Pour installer la table de cuisson correctement, il faut établir le type de raccords électriques que l'on utilisera et suivre les instructions indiquées ici.

- Un circuit monophasé à 3 fils ou 4 fils de 120/240 V CA uniquement, 60 Hz, sur circuit séparé et protégé par un fusible de 40 A est requis pour les modèles de 30 po (76,2 cm) et 36 po (91,4 cm). Si un système à fusible est utilisé, poser des fusibles des deux côtés du circuit électrique.
- La table de cuisson doit être connectée directement au boîtier de connexion par l'intermédiaire d'un conduit métallique flexible. Le câble blindé flexible sortant du boîtier de distribution (fusible ou disjoncteur) doit être raccordé directement au boîtier de connexion.
- Placer le boîtier de connexion pour laisser le plus de jeu possible entre celui-ci et la table de cuisson pour pouvoir déplacer la table de cuisson en cas de besoin de réparation à l'avenir.
- Un connecteur de conduit homologué UL ou CSA doit être fourni à chaque extrémité du câble d'alimentation électrique (à la table de cuisson et à la boîte de connexion).
- Si le domicile possède un câblage en aluminium, suivre la procédure ci-dessous :
 - Connecter le câblage en aluminium en utilisant des capuchons ou des outils spécialement conçus et homologués UL pour raccorder le cuivre à l'aluminium.

Appliquer la procédure recommandée par le fabricant des connecteurs. Les raccordements aluminium/cuivre doivent satisfaire aux prescriptions des codes locaux et de l'industrie, et être conformes aux pratiques de câblage reconnues.

INSTRUCTIONS D'INSTALLATION

Préparation de la table de cuisson

Déterminer l'emplacement final de la table de cuisson.

AVERTISSEMENT

Risque du poids excessif

Utiliser deux ou plus de personnes pour déplacer et installer la table de cuisson.

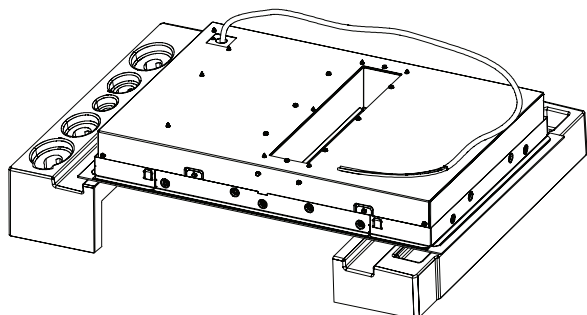
Le non-respect de cette instruction peut causer une blessure au dos ou d'autre blessure.

IMPORTANT : Ne pas couper le dessus de l'emballage du produit, car cela pourrait endommager le produit.

1. Ouvrir la boîte comme stipulé sur l'emballage du produit.
2. Retirer tous les articles des deux côtés du bloc en mousse et les mettre de côté. Sortir le bloc en mousse et le mettre de côté afin de déposer la table de cuisson sur le dessus.

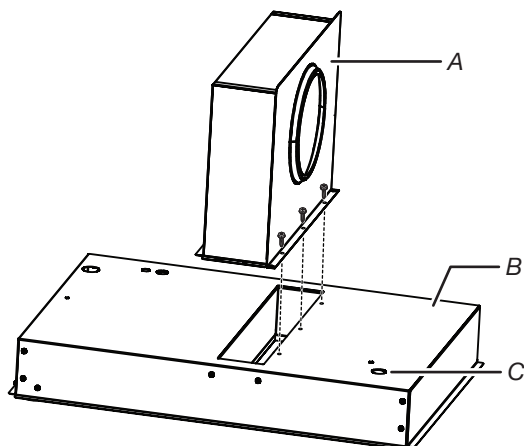
IMPORTANT : Ne pas placer de mousse d'emballage sur les boutons.

3. Avec l'aide de deux personnes ou plus, retirer la table de cuisson et placer la table de cuisson à l'envers sur le bloc en mousse, s'assurant que les boutons ne sont pas déposés sur le bloc en mousse.



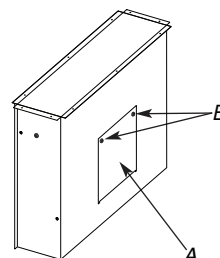
4. Retirer la chambre de distribution et le paquet de vis (dans l'emballage de documentation).
5. Retirer le moteur d'aspiration.
6. Placer la chambre de distribution de la table de cuisson avec l'ouverture ronde orientée vers le faisceau de câblage du moteur.

REMARQUE : Tous les trous sont prépercés. Si tous les six trous ne sont pas alignés, inverser la chambre de distribution.



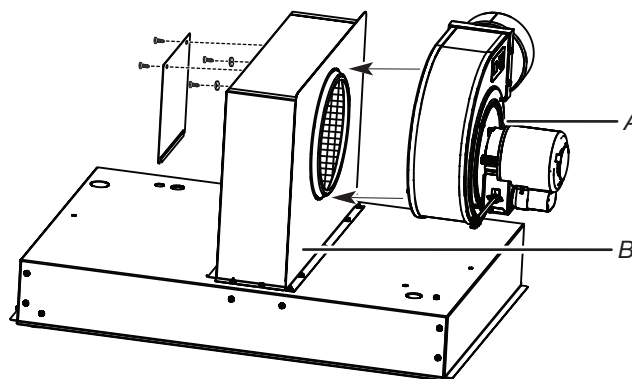
A. Chambre de distribution
B. Table de cuisson
C. Harnais de câblage du moteur

7. À l'aide d'un tourne-écrou de 1/4 po (6,4 mm), visser les six vis de l'emballage de documentation pour fixer la chambre de distribution.
8. Retirer le panneau d'accès de la chambre de distribution à l'aide d'un tourne-écrou de 1/4 po (6,4 mm) et le mettre de côté.



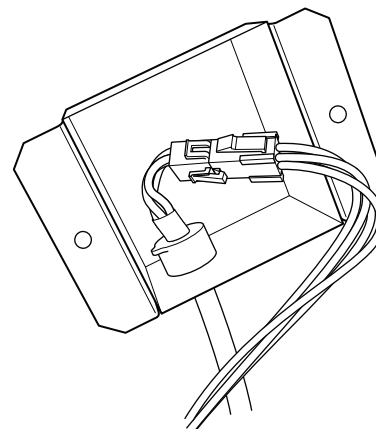
A. Panneau d'accès
B. Deux vis

9. Retirer quatre écrous autobloquants et quatre rondelles de l'emballage de documentation.
REMARQUE : Retirer les quatre capuchons protecteurs des tiges de montage du moteur.
10. Placer le moteur du ventilateur sur la chambre de distribution et tourner la sortie de ventilation pour la faire correspondre au conduit.

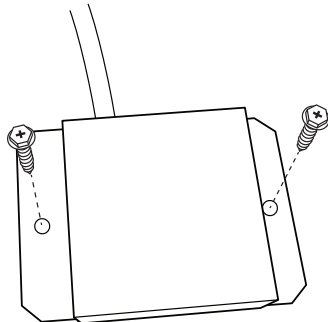


A. Moteur du ventilateur
B. Chambre de distribution

11. Installer et serrer à la main les quatre rondelles et écrous de blocage qui ont été retirés à travers l'ouverture du couvercle d'accès au moteur. Ne pas trop serrer afin de permettre au moteur de tourner.
12. Brancher le connecteur électrique du ventilateur à la table de cuisson.



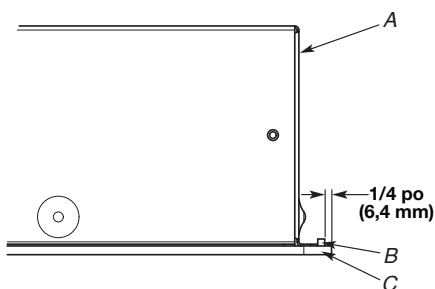
- À l'aide d'un tourne-écrou de 1/4 po (6,4 mm), visser le couvercle de raccordement électrique à la boîte des brûleurs au moyen de deux vis.



Installation des bandes de mousse

- Enlever les bandes de mousse de l'emballage de documentation.
- Retirer l'endos de la bande de mousse.
- Retirer une des quatre bandes de mousse.
- Appliquer la bande de mousse côté adhésif autour du bas de la table de cuisson, 1/4 po (6,4 mm) du bord et couper le matériel excessif 1/4 po (6,4 mm) du bord.

REMARQUE : La bande de mousse protège la face inférieure en verre de la table de cuisson des débris et l'aide à reposer à plat sur des plans de travail irréguliers.



A. Base de la table de cuisson
B. Bande de mousse
C. Verre

- Répéter les étapes 3 et 4 pour chaque coin restant.

Installation de la table de cuisson

⚠ AVERTISSEMENT

Risque du poids excessif

Utiliser deux ou plus de personnes pour déplacer et installer la table de cuisson.

Le non-respect de cette instruction peut causer une blessure au dos ou d'autre blessure.

- Avec l'aide de deux personnes ou plus, soulever la table de cuisson du bloc de mousse et installer la table de cuisson dans l'ouverture du comptoir en inclinant une extrémité de la table de cuisson dans l'ouverture, puis en abaissant l'autre extrémité dans l'ouverture.

REMARQUE : S'assurer que le bord avant de la table de cuisson est parallèle au bord avant du comptoir. S'il est nécessaire de repositionner la table de cuisson, la soulever entièrement de l'ouverture pour éviter de rayer le comptoir.

- Tourner le moteur pour l'aligner avec le conduit et le fixer au conduit.

- Serrer complètement le moteur et à l'aide d'un tourne-écrou de 1/4 po (6,4 mm), fixer le couvercle d'accès au moteur au moyen de 2 vis.

IMPORTANT : Vérifier que le couvercle d'accès au moteur est complètement serré et se trouve sur la chambre de distribution.

- À l'aide d'un bloc en bois entre la vis et le comptoir, serrer légèrement les vis pour fixer le comptoir.

IMPORTANT : Ne pas serrer les vis directement contre le plan de travail.

- Installer le filtre à graisse.

REMARQUES :

- Le filtre doit toujours être placé en angle. Lorsque l'on se place face à la table de cuisson, le sommet du filtre doit reposer contre le côté droit de l'ouverture d'évacuation.
- Le fond du filtre doit reposer contre le côté gauche de la chambre d'évacuation, au fond de celle-ci.
- Si le filtre est à plat contre la paroi du ventilateur, l'efficacité du système de ventilation sera réduite.

- Installer la grille de ventilation.

Raccordement électrique

⚠ AVERTISSEMENT



Risque de choc électrique

Déconnecter la source de courant électrique avant l'entretien.

Utiliser du fil en cuivre de calibre 8.

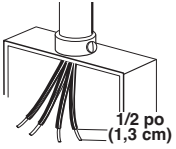
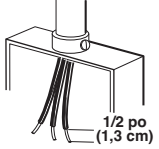
Relier la table de cuisson à la terre.

Le non-respect de ces instructions peut causer un décès, un incendie ou un choc électrique.

Cette table de cuisson est préconfigurée avec le châssis connecté au conducteur nu de liaison à la terre. Raccorder le câble de la table de cuisson au boîtier de connexion à l'aide du connecteur de conduit homologué UL ou CSA.

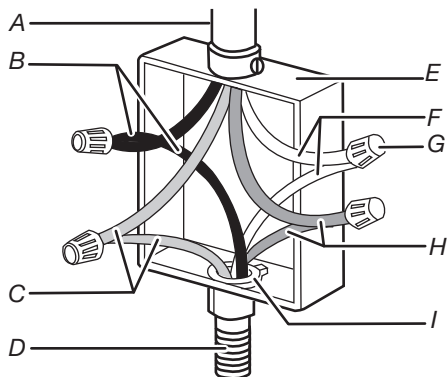
- Déconnecter la source de courant électrique.
- Enlever le couvercle du boîtier de connexion, le cas échéant.
- Brancher le conduit de câble flexible du four au boîtier de connexion en utilisant un connecteur de conduit (homologation UL ou CSA).
- Serrer les vis du connecteur de conduit, le cas échéant.
- Voir le tableau « Options de raccordement électrique » pour terminer l'installation correspondant à votre type de raccordement électrique.

Options de raccordement électrique

Si le domicile comporte :	Et la connexion est effectuée à :	Voir la section :
4 conducteurs 	Disjoncteur ou coupe-circuit avec fusible	Câble à 4 conducteurs depuis le point de distribution du domicile avec câble à 4 conducteurs depuis la table de cuisson
3 conducteurs 	Disjoncteur ou coupe-circuit avec fusible	Câble à 3 conducteurs depuis le point de distribution du domicile avec câble à 4 conducteurs depuis la table de cuisson – É.-U. seulement

Câble à 4 conducteurs depuis le point de distribution du domicile avec câble à 4 conducteurs depuis la table de cuisson

IMPORTANT : Utiliser le câble à 4 conducteurs provenant de l'alimentation électrique du domicile aux États-Unis lorsque les codes ne permettent pas la mise à la terre par l'intermédiaire du conducteur neutre, en cas de nouvelle installation avec alimentation par un circuit secondaire (1996 NEC), dans les résidences mobiles et les véhicules récréatifs, dans une nouvelle construction et au Canada.

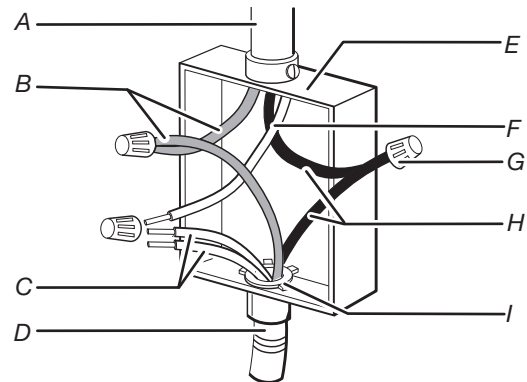


- | | |
|-------------------------------------------------------|---------------------------------------------------|
| A. Câble depuis l'alimentation électrique du domicile | F. Conducteurs blancs |
| B. Conducteurs noirs | G. Connecteur de fil (homologation UL) |
| C. Connecteur nu de liaison à la terre | H. Conducteurs rouges |
| D. Câble à 4 conducteurs depuis la table de cuisson | I. Connecteur de conduit (homologation UL ou CSA) |
| E. Boîtier de connexion | |

1. Connecter ensemble les deux conducteurs noirs avec les connecteurs de fils (homologation UL).
2. Connecter ensemble les deux conducteurs rouges avec les connecteurs de fils (homologation UL).
3. Connecter ensemble les deux conducteurs blancs avec les connecteurs de fils (homologation UL).
4. Connecter le conducteur vert (ou nu) de liaison à la terre du câble de la table de cuisson avec le conducteur vert (ou nu) de liaison à la terre (dans le boîtier de connexion) avec les capuchons de connexion (homologation UL).
5. Installer le couvercle du boîtier de connexion.

Câble à 3 conducteurs depuis le point de distribution du domicile avec câble à 4 conducteurs depuis la table de cuisson – É.-U. seulement

IMPORTANT : Utiliser le câble à 3 conducteurs depuis le point de distribution lorsque les codes locaux en vigueur permettent le raccordement entre le conducteur de liaison à la terre du châssis et le conducteur neutre (blanc) dans le boîtier de connexion.



- | | |
|-------------------------------------------------------------------|---------------------------------------------------|
| A. Câble depuis l'alimentation électrique du domicile | F. Conducteur blanc |
| B. Conducteurs rouges | G. Connecteur de fil (homologation UL) |
| B. Conducteurs blanc et vert (ou nu) (depuis la table de cuisson) | H. Conducteurs noirs |
| D. Câble à 4 conducteurs depuis la table de cuisson | I. Connecteur de conduit (homologation UL ou CSA) |
| E. Boîtier de connexion | |

1. Connecter ensemble les deux conducteurs noirs avec les connecteurs de fils (homologation UL).
2. Connecter ensemble les deux conducteurs rouges avec les connecteurs de fils (homologation UL).
3. Connecter le conducteur vert ou nu et le conducteur blanc de la table de cuisson au conducteur blanc (neutre) dans le boîtier de connexion avec les connecteurs de fils (homologation UL).
4. Installer le couvercle du boîtier de connexion.

Terminer l'installation

1. Vérifier que toutes les pièces sont maintenant installées. S'il reste une pièce, passer en revue les différentes étapes pour découvrir laquelle aurait été oubliée.
2. Vérifier la présence de tous les outils.
3. Éliminer/recycler tous les matériaux d'emballage.
4. Avant d'utiliser la table de cuisson, utiliser une solution douce de nettoyant domestique et d'eau tiède pour la nettoyer. Sécher soigneusement avec un chiffon doux. Pour plus de renseignements, voir la section « Entretien de la table de cuisson » du guide d'utilisation et d'entretien.
5. Lire la section « Utilisation de la table de cuisson » du guide d'utilisation et d'entretien de la table de cuisson.
6. Rétablir l'alimentation électrique.

REMARQUE : Si la table de cuisson ne fonctionne pas après la mise sous tension, vérifier que le disjoncteur ne s'est pas déclenché ou que les fusibles ne sont pas grillés. Voir la section « Dépannage » du guide d'utilisation et d'entretien pour plus de renseignements.

Pour obtenir de l'assistance ou une visite de service :

Se reporter à la section « Garantie » du guide d'utilisation et d'entretien.

