

JENN-AIR® ELECTRIC COOKTOP

TABLE DE CUISSON ÉLECTRIQUE JENN-AIR®

Use & Care Guide

For questions about features, operation/performance, parts, accessories, or service in the U.S.A., call:

1-800-JennAir (1-800-536-6247) or visit our website at **www.jennair.com**.

In Canada, call: **1-800-807-6777**, or visit our website at **www.jennair.ca**.

Guide d'utilisation et d'entretien

Au Canada, pour des questions à propos des caractéristiques, du fonctionnement/rendement, des pièces, accessoires ou dépannage, composer le **1-800-807-6777** ou consulter notre site web à **www.jennair.ca**.

Table of Contents/Table des matières 2

IMPORTANT: READ AND SAVE THESE INSTRUCTIONS.

FOR RESIDENTIAL USE ONLY.

IMPORTANT : LIRE ET CONSERVER CES INSTRUCTIONS.

POUR UTILISATION RÉSIDENNELLE UNIQUEMENT.

JENN-AIR®

W10550660A

TABLE OF CONTENTS

COOKTOP SAFETY.....	2
PARTS AND FEATURES - TOUCH-ACTIVATED CONTROLS	4
COOKTOP CONTROLS - TOUCH-ACTIVATED CONTROLS	5
Cooktop Controls.....	5
Automatic Cooking Functions	6
Dual/Triple Element.....	7
Control Lock.....	7
PARTS AND FEATURES - KNOB CONTROLS.....	8
COOKTOP CONTROLS - KNOB CONTROLS	9
Cooktop Controls.....	9
Dual/Triple Element.....	9
COOKTOP USE	10
Ceramic Glass	10
Home Canning	10
Cookware	11
COOKTOP CARE.....	11
General Cleaning.....	11
TROUBLESHOOTING	12
ASSISTANCE OR SERVICE.....	13
In the U.S.A.	13
Accessories.....	13
In Canada.....	13
WARRANTY	14

TABLE DES MATIÈRES

SÉCURITÉ DE LA TABLE DE CUISSON	16
PIÈCES ET CARACTÉRISTIQUES – COMMANDES TACTILES.....	18
COMMANDES DE LA TABLE DE CUISSON – COMMANDES TACTILES.....	19
Commandes de la table de cuisson	19
Fonctions de cuisson automatiques.....	20
Éléments double/triple	21
Verrouillage des commandes.....	22
PIÈCES ET CARACTÉRISTIQUES – COMMANDES À BOUTONS ROTATIFS.....	23
COMMANDES DE LA TABLE DE CUISSON – COMMANDES À BOUTONS ROTATIFS.....	24
Commandes de la table de cuisson	24
Éléments double/triple	25
UTILISATION DE LA TABLE DE CUISSON	26
Vitrocéramique	26
Mise en conserve à la maison.....	26
Ustensiles de cuisson	27
ENTRETIEN DE LA TABLE DE CUISSON	27
Nettoyage général	27
DÉPANNAGE.....	29
ASSISTANCE OU SERVICE	30
Accessoires	30
Au Canada.....	30
GARANTIE	31

COOKTOP SAFETY

Your safety and the safety of others are very important.

We have provided many important safety messages in this manual and on your appliance. Always read and obey all safety messages.



This is the safety alert symbol.

This symbol alerts you to potential hazards that can kill or hurt you and others.

All safety messages will follow the safety alert symbol and either the word “DANGER” or “WARNING.”

These words mean:

⚠ DANGER

You can be killed or seriously injured if you don't immediately follow instructions.

⚠ WARNING

You can be killed or seriously injured if you don't follow instructions.

All safety messages will tell you what the potential hazard is, tell you how to reduce the chance of injury, and tell you what can happen if the instructions are not followed.

IMPORTANT SAFETY INSTRUCTIONS

WARNING: To reduce the risk of fire, electrical shock, injury to persons, or damage when using the cooktop, follow basic precautions, including the following:

- **CAUTION:** Do not store items of interest to children in cabinets above a cooktop – Children climbing on the cooktop to reach items could be seriously injured.
- Proper Installation – Be sure your cooktop is properly installed and grounded by a qualified technician.
- Never Use Your Cooktop for Warming or Heating the Room.
- Do Not Leave Children Alone – Children should not be left alone or unattended in area where cooktop is in use. They should never be allowed to sit or stand on any part of the cooktop.
- Wear Proper Apparel – Loose-fitting or hanging garments should never be worn while using the cooktop.
- User Servicing – Do not repair or replace any part of the cooktop unless specifically recommended in the manual. All other servicing should be referred to a qualified technician.
- Storage on Cooktop – Flammable materials should not be stored near surface units.
- Do Not Use Water on Grease Fires – Smother fire or flame or use dry chemical or foam-type extinguisher.
- Use Only Dry Potholders – Moist or damp potholders on hot surfaces may result in burns from steam. Do not let potholder touch hot heating elements. Do not use a towel or other bulky cloth.
- DO NOT TOUCH SURFACE UNITS OR AREAS NEAR UNITS – Surface units may be hot even though they are dark in color. Areas near surface units may become hot enough to cause burns. During and after use, do not touch, or let clothing or other flammable materials contact surface units or areas near units until they have had sufficient time to cool. Among those areas are the cooktop and surfaces facing the cooktop.
- Use Proper Pan Size – This cooktop is equipped with one or more surface units of different size. Select utensils having flat bottoms large enough to cover the surface unit heating element. The use of undersized utensils will expose a portion of the heating element to direct contact and may result in ignition of clothing. Proper relationship of utensil to burner will also improve efficiency.

- Never Leave Surface Units Unattended at High Heat Settings – Boilover causes smoking and greasy spillovers that may ignite.
- Glazed Cooking Utensils – Only certain types of glass, glass/ceramic, ceramic, earthenware, or other glazed utensils are suitable for cooktop service without breaking due to the sudden change in temperature.
- Utensil Handles Should Be Turned Inward and Not Extend Over Adjacent Surface Units – To reduce the risk of burns, ignition of flammable materials, and spillage due to unintentional contact with the utensil, the handle of a utensil should be positioned so that it is turned inward, and does not extend over adjacent surface units.
- Do Not Cook on Broken Cooktop – If cooktop should break, cleaning solutions and spillovers may penetrate the broken cooktop and create a risk of electric shock. Contact a qualified technician immediately.
- Clean Cooktop With Caution – If a wet sponge or cloth is used to wipe spills on a hot cooking area, be careful to avoid steam burn. Some cleaners can produce noxious fumes if applied to a hot surface.

For units with ventilating hood –

- Clean Ventilating Hoods Frequently – Grease should not be allowed to accumulate on hood or filter.
- When flaming foods under the hood, turn the fan on.

For units with coil elements –

- Make Sure Reflector Pans or Drip Bowls Are in Place – Absence of these pans or bowls during cooking may subject wiring or components underneath to damage.
- Protective Liners – Do not use aluminum foil to line surface unit drip bowls, except as suggested in the manual. Improper installation of these liners may result in a risk of electric shock, or fire.
- Do Not Soak Removable Heating Elements - Heating elements should never be immersed in water.

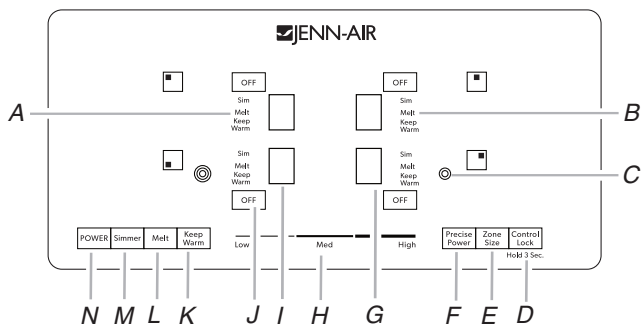
SAVE THESE INSTRUCTIONS

PARTS AND FEATURES - TOUCH-ACTIVATED CONTROLS

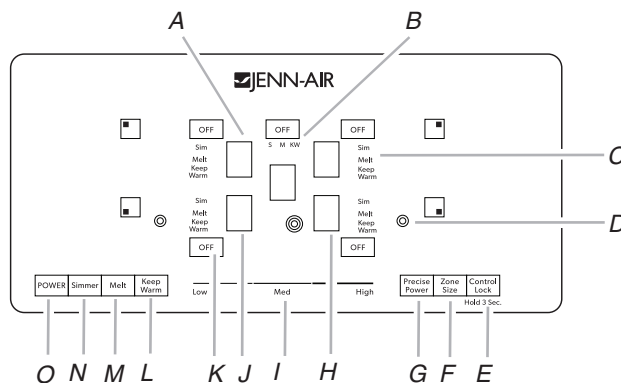
This manual covers different models. The cooktop you have purchased may have some or all of the items listed. The locations and appearances of the features shown here may not match those of your model.

Control Panels

30" (76.2 cm) Model JEC4430 shown as reference



36" (91.4 cm) Model JEC4536 shown as reference



- A. Left rear touch control
- B. Center rear touch control
- C. Zone indicator
- D. Control lock touch control
- E. Zone size touch control
- F. Precise Power™ touch control
- G. Right rear touch control

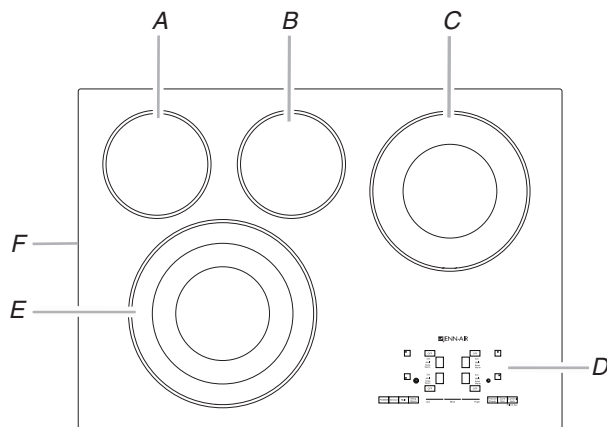
- H. Power level slide touch control
- I. Left front touch control
- J. Element OFF touch control
- K. Keep Warm™ function touch control
- L. Melt function touch control
- M. Simmer function touch control
- N. Cooktop power touch control

- A. Left rear touch control
- B. Center rear touch control
- C. Right rear touch control
- D. Zone indicator
- E. Control lock touch control
- F. Zone size touch control
- G. Precise Power™ touch control
- H. Right front touch control

- I. Power level slide touch control
- J. Left front touch control
- K. Element OFF touch control
- L. Keep Warm™ function touch control
- M. Melt function touch control
- N. Simmer function touch control
- O. Cooktop power touch control

Cooktops

30" (76.2 cm) Model JEC4430 shown as reference



- A. Left rear surface cooking area
- B. Center rear cooking area

- C. Right rear surface cooking area (dual size element)
- D. Control panel

- E. Left front surface cooking area (Triple 4500W High Power element)
- F. Model and serial number plate (located underneath cooktop on metal cabinet)

COOKTOP CONTROLS - TOUCH-ACTIVATED CONTROLS

Cooktop Controls

⚠ WARNING



Fire Hazard

Turn off all controls when done cooking.

Failure to do so can result in death or fire.

When a surface setting is left at the “0” power level for 1 minute and 25 seconds, and there are no other surface cooking areas turned On, the cooktop will turn Off.

2. Select a heat setting from 1-9 by touching/sliding on the power slider or select an automatic cook setting (Melt, Simmer, Keep Warm™ or Precise Power™). The heat setting will appear in the surface cooking area display.



A. Power level slide touch control

If a cooking function or the power slider is touched without first selecting a surface cooking area, all dashes (one for each zone) will flash and an invalid tone will sound 4 times.

Use the following chart as a guide when setting heat levels. The High Power (4500W) Triple element (left front on 30" model JEC4430, center rear on 36" model JEC4536) provides the best speed to boil and simmering performance for large pots. For the fastest boiling performance on pans 10" (25.4 cm) and larger, use the Triple element set to Precise Power™ in the default position with all zones active. For the best low heat performance on pans 10 inches and larger, use the same element at the single element setting.

SETTING	RECOMMENDED USE
Precise Power™ (P)	<ul style="list-style-type: none"> ■ Deliver highest possible power ■ Bring liquid to a boil
High 9	<ul style="list-style-type: none"> ■ Start food cooking. ■ Bring liquid to a boil.
Medium High Between 7 and 8	<ul style="list-style-type: none"> ■ Hold a rapid boil. ■ Quickly brown or sear food.
Med 6	<ul style="list-style-type: none"> ■ Maintain a slow boil. ■ Fry or sauté foods.
Medium Low Between 3 and 5	<ul style="list-style-type: none"> ■ Cook soups, sauces and gravies. ■ Stew or steam food.
Low Between 1 and 2	<ul style="list-style-type: none"> ■ Provide lowest heat settings.
Dual/Triple Elements	<ul style="list-style-type: none"> ■ Large-diameter cookware. ■ Large quantities of food. ■ Home canning.
Simmer (Sim)	<ul style="list-style-type: none"> ■ Simmer sauces.
Melt	<ul style="list-style-type: none"> ■ Melt chocolate or butter.
Keep Warm™	<ul style="list-style-type: none"> ■ Keep cooked foods warm.

NOTE: Elements will not glow red on all settings.

REMEMBER: When cooktop is in use, the entire cooktop area may become hot.

IMPORTANT: To avoid damaging the cooktop, do not place any object over the controls. If something is placed over the controls, a gentle “beep” will sound as a reminder to promptly remove it. After a time period, an “F1E0” error code will display. This is the control board locking itself to avoid damage from an object placed upon it. To use the cooktop again, disconnect from power or reset the circuit breaker. See “Cooktop is displaying F1E0 code” in the “Troubleshooting” section.

Be sure to lock the cooktop using the Control Lock option (see the “Control Lock” section) when cleaning around the controls. If the cooktop is not locked, and an “F1E0” error code appears, reset the circuit breaker.

To Use:

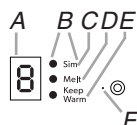
To Turn On the Cooktop:

1. Press POWER

The indicator light above the Power keypad and a dash (“-”) in each surface cooking area will light to indicate that each surface cooking area is ready to be activated. Inactivity for 1 minute after the main power has been turned on will automatically turn off the power to the cooktop.

To Turn On a Surface Cooking Area:

1. Touch the display area (A) for the surface cooking area you want to use.



- A. Power level display/active surface area selector
- B. Automatic cooking function (simmer, melt, Keep Warm™) indicator
- C. Simmer
- D. Melt
- E. Keep Warm™
- F. Zone size indicator (flexible dual/triple zones only)

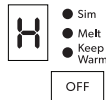
The current power level and indicator light will flash for 10 seconds then remain on.

Touching any other feature or the power slider stops the flashing, and information for the keypad that was touched will be displayed.

When a surface cooking area is left at the “0” power level for 25 seconds, the surface cooking area will automatically turn off and display only the middle dash without the indicator light.

Hot Surface Indicator Light

An “H” will appear in the surface cooking area display as long as any surface cooking area is too hot to touch, even after the surface cooking area(s) is turned off.



Component Temperature Management

The cooktop regulates the temperature of the internal components during use. The cooktop may automatically reduce the power of all the elements in use to keep the internal components from overheating. To resume optimal cooking performance, allow the cooktop to cool down for 30 minutes.

Automatic Cooking Functions

All elements feature automatic cooking levels (Simmer, Melt, Keep Warm™ and Precise Power™) that will set the cooktop to precisely the right level for special tasks. These settings can be used on more than one element at the same time.

To Use:

1. Touch the display area of the cooking element you want to use.
2. Touch the setting you wish to use (Simmer, Melt, Keep Warm™ or Precise Power™). An “A” will appear in the display, and the indicator light next to the correct function will light.

To Turn Off:

Simmer, Melt, Keep Warm™ and Precise Power™ can be turned off in 3 different ways:

Use the power slider to set to a heat level.

OR

Touch the surface cooking area OFF keypad.

OR

Select a different cooking function.

Keep Warm™

⚠ WARNING

Food Poisoning Hazard

Do not let food sit for more than one hour before or after cooking.

Doing so can result in food poisoning or sickness.

The Keep Warm™ surface cooking area can be used to keep cooked foods warm. One hour is the recommended maximum time to maintain food quality.

It is not recommended for heating cold foods. When the Keep Warm™ function is in use, it will not glow red like the cooking zones, but the indicator light will glow on the control panel.

Use only cookware and dishes recommended for oven and cooktop use, and those that have flat bottoms to make direct contact with the cooktop surface. Use pot holders or oven mitts to remove cookware.

Cover all foods with a lid or aluminum foil. Do not use plastic wrap to cover food, as it may melt onto the cooktop surface. When warming baked goods, allow a small opening in the cover for moisture to escape.

Precise Power™

The Precise Power™ function automatically selects the highest possible setting for tasks such as bringing water quickly to a boil. Alternatively, Precise Power™ can be used to automatically heat food with the highest setting, then decrease the power to a lower power as the user desires. After 2 minutes of heating in the Precise Power™, the triple element will begin cycling on and off to avoid overheating. Element cycling is normal for all power levels.

To Turn on

To Use for Optimal High Performance

1. Check that a surface cooking area has been selected.
 2. Touch Precise Power™. “P” will appear in the display.
- After 2 minutes of heating in Precise Power™, the triple element will begin cycling on and off to avoid overheating. After 13 minutes, Precise Power™ can be reactivated if the user desires to continue cooking at the highest power, however cycling is still normal

To use the highest setting for 13 minutes, then automatically reduce power to a low-medium/high power

1. Check that a surface cooking area has been selected.
 2. Select the desired end power level on the Power level slide touch control, as shown in the “Cooktop Controls” section.
 3. Touch Precise Power™. “P” will appear in the display
- After 13 minutes, the power will be automatically reduced to defined power level. After 2 minutes of heating in Precise Power™, the triple element will begin cycling on and off to avoid overheating. After 13 minutes, Precise Power™ can be reactivated if the user desires to continue cooking at the highest power, however cycling is still normal.

To Turn Off

Precise Power™ can be turned off in 3 different ways:

Use the power slider to set to a heat level.

OR

Touch the surface cooking area OFF keypad.

OR

Select a different cooking function.

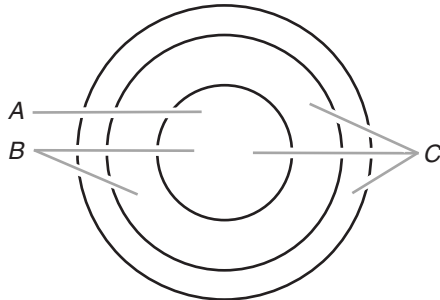
Dual/Triple Element

The dual and triple elements offer flexibility depending on the size of the cookware. Single size can be used in the same way as a regular element. The dual and triple sizes combine single, dual and outer elements, and are recommended for larger cookware, large quantities of food, and home canning.

For best high heat performance, match burner to cookware size. For fastest speed to boil, all three zones of the triple should be active when using pots 10" (25.4 cm) or greater.

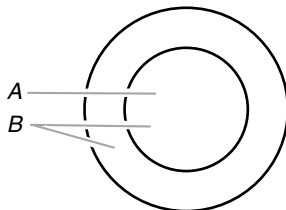
For best Low heat or Simmer performance, match cookware to largest cooking area ring and use single ring for desired performance.

Triple Element (on some models)



A. Single size
B. Dual size
C. Triple size

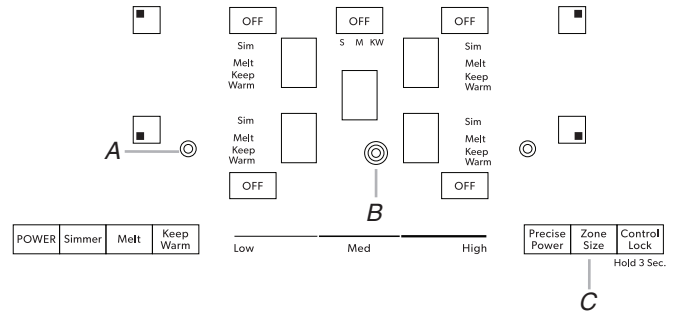
Dual Element



A. Single element
B. Dual element

To Use DUAL and TRIPLE:

1. Touch the display area of the cooking element you want to use. The default setting is the largest cooking area.
2. Touch the Zone Size touch control to adjust to a different size pot. The zone size displays one, two or three indicator dash lights that indicates one, two or three zones selected respectively.
3. Activate the element by setting the power level with the 0-9 Slider Control or Automatic Cooking functions.



A. Dual element light
B. Triple element light
C. Zone size touch control

NOTE: If you turn off the element using only the Off button on the keypad, the dual and triple elements will remember the setting from the last time it was used and these burner areas will automatically activate the next time you select the element.

Control Lock

The Control Lock avoids unintended use of the surface cooking areas.

If Control Lock is activated when the cooktop is off, the cooktop is locked out, and the surface cooking areas cannot be turned on by the cooktop touch controls.

To avoid unintentional activation of the keypads, activate the control lock when cleaning the control area or when objects are left on top of the control area.

If Control Lock is activated when the cooktop is on, all keypads are locked out except for the POWER, OFF and CONTROL LOCK keypads.

To Lock Cooktop:

Touch and hold the CONTROL LOCK keypad for 3 seconds. After 3 seconds, a tone will sound and the indicator light above the Control Lock keypad will light, indicating that the cooktop controls are in the lockout position.

If the cooktop is in use when Control Lock is activated, cooking will proceed as normal.

To Unlock Cooktop:

Touch and hold the CONTROL LOCK keypad for 3 seconds.

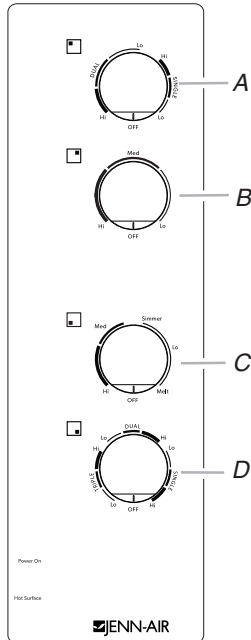
PARTS AND FEATURES - KNOB CONTROLS

This manual covers different models. The cooktop you have purchased may have some or all of the items listed. The locations and appearances of the features shown here may not match those of your model.

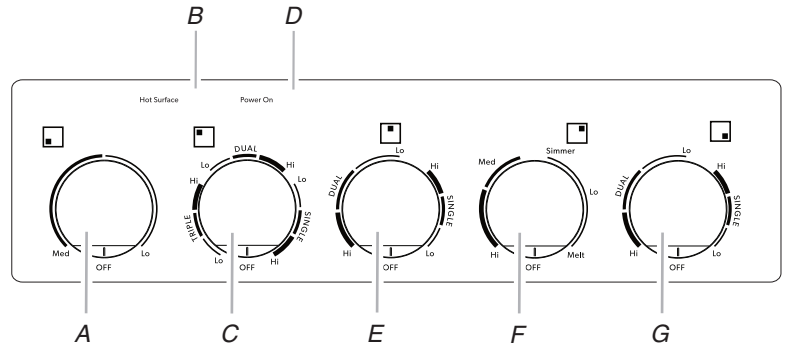
The shaded boxes indicate which knobs correspond to which elements.

Control Panels

30" (76.2 cm) Model JEC3430 shown as reference



36" (91.4 cm) Model JEC3536 shown as reference



A. Left rear control knob
(dual-zone element)
B. Right rear control knob

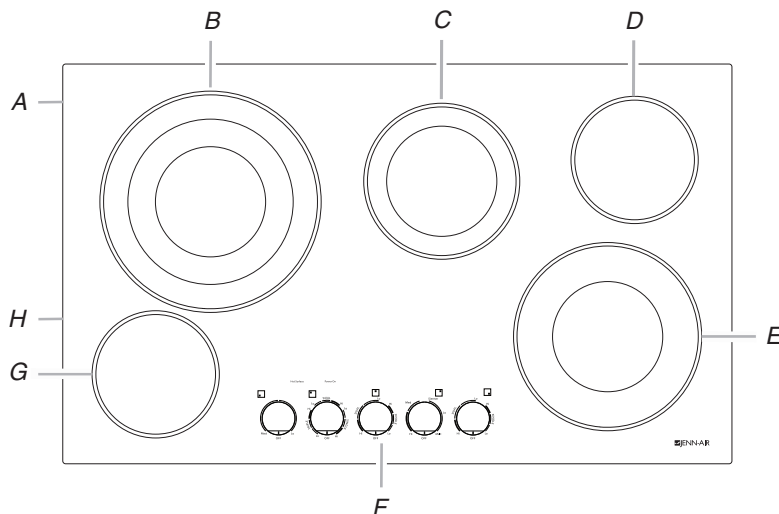
C. Left front control knob
(melt/simmer element)
D. Right front control knob
(triple-zone element)

A. Left front control knob
B. Hot surface indicator light
C. Left rear control knob
(triple-zone element)
D. Cooktop on indicator light

E. Center rear control knob
(dual-zone element)
F. Right rear control knob
(melt/simmer element)
G. Right front control knob
(dual-zone element)

Cooktops

36" (91.4 cm) Model JEC3536 shown as reference



A. Ceramic glass cooktop
B. Left rear surface cooking area
(triple-zone element)

C. Center rear cooking area
(dual-zone element)
D. Right rear surface cooking area
E. Right front surface cooking area
(dual-zone element)

F. Control panel
G. Left front surface cooking area
H. Model and serial number plate (located
underneath cooktop on metal cabinet)

COOKTOP CONTROLS - KNOB CONTROLS

Cooktop Controls

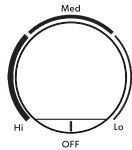
! WARNING



Fire Hazard

**Turn off all controls when done cooking.
Failure to do so can result in death or fire.**

The controls can be set to anywhere between HI and LO.



To Use:

1. Push in and turn knob to desired heat setting.
Use the following chart as a guide when setting heat levels.

SETTING	RECOMMENDED USE
Hi	<ul style="list-style-type: none"> ■ Start food cooking. ■ Bring liquid to a boil.
Medium High	<ul style="list-style-type: none"> ■ Hold a rapid boil. ■ Quickly brown or sear food.
Med (Medium)	<ul style="list-style-type: none"> ■ Maintain a slow boil. ■ Fry or sauté foods. ■ Cook soups, sauces and gravies. ■ High simmer or simmer without lids.
Medium Low	<ul style="list-style-type: none"> ■ Stew or steam food. ■ Simmer.
Lo	<ul style="list-style-type: none"> ■ Low simmer using lids.
Dual/Triple Elements	<ul style="list-style-type: none"> ■ Home canning. ■ Large-diameter cookware. ■ Large quantities of food.
Melt (on some elements)	<ul style="list-style-type: none"> ■ Melt chocolate or butter.
Simmer (on some elements)	<ul style="list-style-type: none"> ■ Simmer sauces

NOTE: Elements will not glow red on all settings.

REMEMBER: When cooktop is in use, the entire cooktop area may become hot.

Hot Surface Indicator Lights (on Standard Control models)

The Hot Surface Indicator Lights will glow as long as any surface cooking area is too hot to touch, even after the surface cooking area(s) is turned off.



If the cooktop is on when a power failure occurs, the Hot Surface Indicator Lights will remain on after the power is restored to the cooktop. They will remain on until the cooktop has cooled completely.

Power Light

Each cooktop has a Power On light. The light will glow when any burner is on.

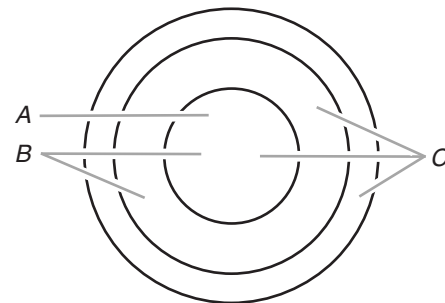
Dual/Triple Element

The dual- and triple-size elements offer flexibility depending on the size of the cookware. Single size can be used in the same way as a regular element. The dual size combines the single and outer element and is recommended for larger cookware, large quantities of food, and home canning.

For best High heat performance, match burner to cookware size.

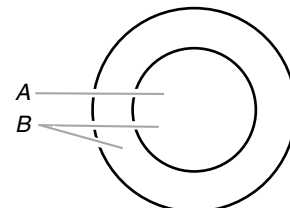
For best Low heat or Simmer performance, match cookware to largest cooking area ring and use single ring for desired performance.

Triple Element (on some models)

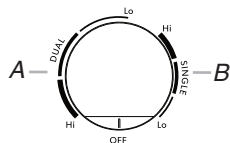


A. Single size
B. Dual size
C. Triple size

Dual Element



A. Single element
B. Dual element



A. Dual zone
B. Single zone

To Use SINGLE:

1. Push in and turn knob from the OFF position to the SINGLE zone anywhere between Lo and Hi.
2. Turn knob to OFF when finished.

To Use DUAL and TRIPLE:

1. Push in and turn knob from the OFF position to the DUAL or TRIPLE zone anywhere between Lo and Hi.
2. Turn knob to OFF when finished.

COOKTOP USE

Ceramic Glass (on some models)

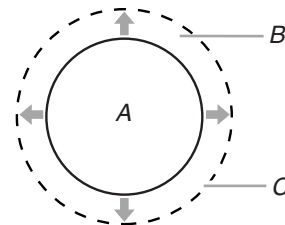
The surface cooking area will glow red when an element is on. Some parts of the surface cooking area may not glow red when an element is on. This is normal operation. The burner will cycle on and off to maintain the selected heat level. It will also randomly cycle off and back on again, even while on High, to keep the cooktop from extreme temperatures.

It is normal for the surface of light colored ceramic glass to appear to change color when surface cooking areas are hot. As the glass cools, it will return to its original color.

Cleaning off the cooktop before and after each use will help keep it free from stains and provide the most even heating. On cooktops with light colored ceramic glass, soils and stains may be more visible, and may require more cleaning and attention. Cooktop cleaner and a cooktop scraper are recommended. For more information, see "General Cleaning" section.

- Avoid storing jars or cans above the cooktop. Dropping a heavy or hard object onto the cooktop could crack the cooktop.
- To avoid damage to the cooktop, do not leave a hot lid on the cooktop. As the cooktop cools, air can become trapped between the lid and the cooktop, and the ceramic glass could break when the lid is removed.
- For foods containing sugar in any form, clean up all spills and soils as soon as possible. Allow the cooktop to cool down slightly. Then, while wearing oven mitts, remove the spills using a scraper while the surface is still warm. If sugary spills are allowed to cool down, they can adhere to the cooktop and can cause pitting and permanent marks.
- To avoid scratches, do not slide cookware or bakeware across the cooktop. Aluminum or copper bottoms and rough finishes on cookware or bakeware could leave scratches or marks on the cooktop.
- Do not cook popcorn in prepackaged aluminum containers on the cooktop. They could leave aluminum marks that cannot be removed completely.
- To avoid damage to the cooktop, do not allow objects that could melt, such as plastic or aluminum foil, to touch any part of the entire cooktop.
- To avoid damage to the cooktop, do not use the cooktop as a cutting board.

- Use cookware about the same size as the surface cooking area. Cookware should not extend more than ½" (1.3 cm) outside the area.



A. Surface cooking area
B. Cookware/canner
C. ½" (1.3 cm) maximum overhang

- Use flat-bottomed cookware for best heat conduction and energy efficiency. Cookware with rounded, warped, ribbed or dented bottoms could cause uneven heating and poor cooking results.
- Determine flatness by placing the straight edge of a ruler across the bottom of the cookware. While you rotate the ruler, no space or light should be visible between it and the cookware.
- Cookware designed with slightly indented bottoms or small expansion channels can be used.
- Make sure the bottoms of pots and pans are clean and dry before using them. Residue and water can leave deposits when heated.
- To avoid damage to the cooktop, do not cook foods directly on the cooktop.

Home Canning

When canning for long periods, alternate the use of surface cooking areas or elements between batches. This allows time for the most recently used areas to cool.

- Center the canner on the largest surface cooking area or element. Canners should not extend more than ½" (1.3 cm) beyond the surface cooking area or element.
- Do not place canner on 2 surface cooking areas or elements at the same time.
- On ceramic glass models, use only flat-bottomed canners.
- For more information, contact your local agricultural department. Companies that manufacture home canning products can also offer assistance.

Cookware

IMPORTANT: Do not leave empty cookware on a hot surface cooking area, element or surface burner.

Ideal cookware should have a flat bottom, straight sides, and a well-fitting lid and the material should be of medium-to-heavy thickness.

Rough finishes may scratch the cooktop. Aluminum and copper may be used as a core or base in cookware. However, when used as a base they can leave permanent marks on the cooktop or grates.

Cookware material is a factor in how quickly and evenly heat is transferred, which affects cooking results. A nonstick finish has the same characteristics as its base material.

For example, aluminum cookware with a nonstick finish will take on the properties of aluminum.

Use the following chart as a guide for cookware material characteristics.

Cookware	Characteristics
Aluminum	<ul style="list-style-type: none">■ Heats quickly and evenly.■ Suitable for all types of cooking.■ Medium or heavy thickness is best for most cooking tasks.
Cast iron	<ul style="list-style-type: none">■ Heats slowly and evenly.■ Good for browning and frying.■ Maintains heat for slow cooking.
Ceramic or Ceramic glass	<ul style="list-style-type: none">■ Follow manufacturer's instructions.■ Heats slowly, but unevenly.■ Ideal results on low to medium heat settings.
Copper	<ul style="list-style-type: none">■ Heats very quickly and evenly.
Earthenware	<ul style="list-style-type: none">■ Follow manufacturer's instructions.■ Use on low heat settings.
Porcelain enamel-on-steel or cast iron	<ul style="list-style-type: none">■ See stainless steel or cast iron.
Stainless steel	<ul style="list-style-type: none">■ Heats quickly, but unevenly.■ A core or base of aluminum or copper on stainless steel provides even heating.

COOKTOP CARE

General Cleaning

IMPORTANT: Before cleaning, make sure all controls are off and the cooktop is cool. Always follow label instructions on cleaning products.

Soap, water and a soft cloth or sponge are suggested first unless otherwise noted. When cleaning the cooktop with electronic controls, lock the controls. See "Control Lock" section.

STAINLESS STEEL MODELS

To avoid damage to stainless steel colored surfaces, do not use soap-filled scouring pads, abrasive cleaners, Cooktop Cleaner, steel-wool pads, gritty washcloths or abrasive paper towels.

Cleaning Method:

Rub in direction of grain to avoid damaging.

- affresh® Stainless Steel Cleaner and Polish (Part Number W10355016B) (not included): See "Assistance or Service" section to order.
- Liquid detergent or all-purpose cleaner: Rinse with clean water and dry with soft, lint-free cloth.
- Vinegar for hard water spots.

COOKTOP CONTROLS

To avoid damage to the cooktop controls, do not use steel wool, abrasive cleansers or oven cleaner.

To avoid damage, do not soak knobs.

When replacing knobs, make sure knobs are in the Off position.

Do not remove seals under knobs.

Cleaning Method:

- Soap and water: Pull knobs straight away from control panel to remove.
- Do not place knobs in dishwasher.

CERAMIC GLASS

To avoid damage to the cooktop, do not use steel wool, abrasive powder cleansers, chlorine bleach, rust remover or ammonia.

Cleaning Method:

Always wipe with a clean, wet cloth or sponge and dry thoroughly to avoid streaking and staining.

affresh® Cooktop Cleaner (Part Number W10355051B) is recommended for regular use to help avoid scratches, pitting and abrasions, and to condition the cooktop. It may be ordered as an accessory. See "Assistance or Service" section to order.

Cooktop Scraper is also recommended for stubborn soils, and can be ordered as an accessory. See "Assistance or Service" section to order. The Cooktop Scraper uses razor blades. Store razor blades out of the reach of children.

Light to moderate soil

- Paper towels or clean damp sponge: Clean while the cooktop is still warm. You may want to wear oven mitts while doing so.

Sugary spills (jellies, candy, syrup)

- Cooktop Scraper: Clean while the cooktop is still warm. You may want to wear oven mitts while doing so.

- affresh® Cooktop Cleaner and clean damp paper towel: Clean as soon as cooktop has cooled down. Rub creme into surface with a damp paper towel or soft cloth. Continue rubbing until white film disappears.

Heavy soil, dark streaks, specks and discoloration

- affresh® Cooktop Cleaner or nonabrasive cleanser: Rub product into soil with a damp paper towel or soft cloth. Continue rubbing until white film disappears.

Burned-on soil

- affresh® Cooktop Cleaner and Cooktop Scraper: Rub creme into soil with damp paper towel. Hold scraper as flat as possible on surface and scrape. Repeat for stubborn spots. Polish entire cooktop with creme and paper towel.

Metal marks from aluminum and copper

- affresh® Cooktop Cleaner: Clean as soon as cooktop has cooled down. Rub creme into surface with a damp paper towel or soft cloth. Continue rubbing until white film disappears. The marks will not totally disappear but after many cleanings become less noticeable.

Tiny scratches and abrasions

- affresh® Cooktop Cleaner: Rub creme into surface with a damp paper towel or soft cloth. Continue rubbing until white film disappears. Scratches and abrasions do not affect cooking performance and after many cleanings become less noticeable.

Do not use steel wool, abrasive powder cleansers, chlorine bleach, rust remover or ammonia because damage may occur.

TROUBLESHOOTING

Try the solutions suggested here first in order to avoid the cost of an unnecessary service call.

Nothing will operate

- **Has a household fuse blown, or has a circuit breaker tripped?**
Replace the fuse or reset the circuit breaker. If the problem continues, call an electrician.
- **Is the cooktop wired properly?**
See the Installation Instructions for more information.

Cooktop will not operate

- **Is your cooktop really not operating?**
Elements start and stop glowing when turned on because the cooktop elements cycle on and off to reach the right temperature. In low settings, such as Keep Warm™, the elements do not glow but will still maintain the right temperature. This is part of the normal operation of the product.
- **On models with knob controls, is the control knob set correctly?**
Push in the knob before turning to a setting.
- **On models with touch-activated electronic controls, is the “Control Lock” cooktop lockout set?**
Press and hold “Control Lock” for 3 seconds
- **Has one or more burners stopped working during use?**
Allow the cooktop to cool down for 30 minutes then turn the burner on again. If the cooktop was beeping at the time the burner stopped working, see “Cooktop is beeping” in this section.

Excessive heat around cookware on cooktop

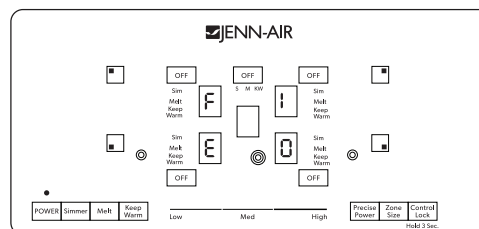
- **Is the cookware the proper size?**
Use cookware about the same size as the surface cooking area, element or surface burner. Cookware should not extend more than ½" (1.3 cm) outside the cooking area.
- **Do cooktop surfaces become hot?**
REMEMBER: When cooktop is in use, the entire cooktop area may become hot.

Cooktop is beeping

- **Is the cooktop beeping once every 15 seconds?**
If any key is pressed and held for longer than 15 seconds, the cooktop will start beeping. Remove any objects left on the control area, or wipe any debris from the control panel surface. If the cooktop continues beeping for longer than 15 minutes, the control panel will lock, and the F1E0 code will appear in the display. See “Cooktop is displaying F1E0 code” in this section.

Cooktop is displaying F1E0 code

- **Is the cooktop locked and displaying F1E0 code?**
Cooktop is displaying F1E0, indicating that one or more keys are permanently pressed. Follow the steps below.



F1E0 code

1. Make sure the cooktop controls are OFF.
2. Clean the cooktop touch control panel thoroughly. See “General Cleaning” section.
3. Disconnect power or unplug the cooktop.
4. After 1 minute, reconnect power or plug in the cooktop.
5. If after 1 minute the cooktop displays F1E0 again, call for service.

As a reminder, do not leave items on the controls. Lock the controls when cleaning or when the cooktop is not in use.

Cooktop cooking results not what expected

- **Is the proper cookware being used?**
See “Cookware” section.
- **Is the cooktop control set to the proper heat level?**
See the appropriate “Cooktop Controls” section for your model.
- **Is the cooktop level?**
Level the cooktop. See the Installation Instructions.

- **Does it appear to take longer than usual to cook food at a certain power level or some power levels do not perform as well as usual?**

The cooktop regulates the temperature of the internal components and automatically reduces the power of all the elements in use without any visual or audible feedback. Allow the cooktop to cool down for 30 minutes to resume normal cooking performance. See the appropriate “Cooktop Controls” section for your model. Element cycling is normal for all power levels.

Cooktop element is warm but does not glow red

- **Is the control knob set to Simmer, Melt or a Low cooktop setting?**

If the control knob is set to Simmer, Melt or a Low cooktop setting, the element glows red for just a few seconds over large periods of time.

- **Is the Keep Warm™ element being used?**

The Keep Warm™ element does not glow red. See “Keep Warm™” in the “Automatic Cooking Functions” section.

A vapor is being emitted from the knobs of the cooktop

- **Is the cooktop in its first use(s)?**

During the first use(s), a vapor may be seen exiting the holes around the knobs of the cooktop. This behavior is normal and should disappear after use.

Cooktop element is cycling on and off

- Element cycling is normal for all power levels, as the elements may cycle on and off to avoid overheating.

ASSISTANCE OR SERVICE

Before calling for assistance or service, please check “Troubleshooting.” It may save you the cost of a service call. If you still need help, follow the instructions below.

When calling, please know the purchase date and the complete model and serial number of your appliance. This information will help us to better respond to your request.

In the U.S.A.

If the problem is not due to one of the items listed in the “Troubleshooting” section...

Call the dealer from whom your appliance was purchased, or call Jenn-Air at **1-800-JENNAIR (1-800-536-6247)** to locate an authorized service company. When calling, please know the purchase date and the complete model and serial number of your appliance. Be sure to retain proof of purchase to verify warranty status.

If the dealer or service company cannot resolve your problem, write to:

Jenn-Air Brand Home Appliances
Customer eXperience Center
553 Benson Road
Benton Harbor, MI 49022-2692

Web address: **www.jennair.com**

Or call: **1-800-JENNAIR (1-800-536-6247)**

U.S. customers using TTY for deaf, hearing impaired or speech impaired, call: **1-800-688-2080**.

NOTE: When writing or calling about a service problem, please include the following information:

1. Your name, address and daytime telephone number.
2. Appliance model number and serial number.
3. Name and address of your dealer or servicer.
4. A clear description of the problem you are having.
5. Proof of purchase (sales receipt).

User’s guides, service manuals and parts information are available from Jenn-Air Brand Home Appliances, Customer eXperience Center.

Cooktop Protectant

(ceramic glass models)

Order Part Number 31463

Cooktop Scraper

(ceramic glass models)

Order Part Number WA906B

affresh® Stainless Steel Cleaner and Polish

(stainless steel models)

Order Part Number W10355016B

affresh® Stainless Steel Cleaning Wipes

(stainless steel models)

Order Part Number W10355049B

In Canada

If the problem is not due to one of the items listed in the “Troubleshooting” section...

Call the dealer from whom your appliance was purchased, or call Jenn-Air at **1-800-807-6777** to locate an authorized service company. When calling, please know the purchase date and the complete model and serial number of your appliance. Be sure to retain proof of purchase to verify warranty status.

If the dealer or service company cannot resolve your problem, write to:

Jenn-Air Brand Home Appliances
Customer eXperience Centre
200 - 6750 Century Ave.
Mississauga, ON L5N 0B7

Web address: **www.jennair.ca**

Or call: **1-800-807-6777**.

NOTE: When writing or calling about a service problem, please include the following information:

1. Your name, address and daytime telephone number.
2. Appliance model number and serial number.
3. Name and address of your dealer or servicer.
4. A clear description of the problem you are having.
5. Proof of purchase (sales receipt).

User’s guides, service manuals and parts information are available from Jenn-Air Brand Home Appliances, Customer eXperience Centre.

Accessories

affresh® Cooktop Cleaner

(ceramic glass models)

Order Part Number W10355051B

JENN-AIR® COOKING APPLIANCE WARRANTY

LIMITED WARRANTY

For one year from the date of purchase, when this major appliance is operated and maintained according to instructions attached to or furnished with the product, Jenn-Air brand of Whirlpool Corporation or Whirlpool Canada LP (hereafter "Jenn-Air") will pay for factory specified parts and repair labor to correct defects in materials or workmanship. Service must be provided by a Jenn-Air designated service company. This limited warranty is valid only in the United States or Canada and applies only when the major appliance is used in the country in which it was purchased. Outside the 50 United States and Canada, this limited warranty does not apply. Proof of original purchase date is required to obtain service under this limited warranty.

SECOND THROUGH FIFTH YEAR LIMITED WARRANTY ON CERTAIN COMPONENT PARTS

In the second through fifth years from the date of purchase, when this appliance is operated and maintained according to instructions attached to or furnished with the product, Jenn-Air will pay for factory specified parts for the following components (if applicable to the product) if defective in materials or workmanship:

- Electric element
 - Touch Pad and microprocessor
 - Glass ceramic cooktop: if due to thermal breakage
 - Electronic controls
 - Magnetron tube
 - Sealed gas burners
-

ITEMS EXCLUDED FROM WARRANTY

This limited warranty does not cover:

1. Service calls to correct the installation of your major appliance, to instruct you on how to use your major appliance, to replace or repair house fuses, or to correct house wiring or plumbing.
2. Service calls to repair or replace appliance light bulbs, air filters or water filters. Consumable parts are excluded from warranty coverage.
3. Repairs when your major appliance is used for other than normal, single-family household use or when it is used in a manner that is contrary to published user or operator instructions and/or installation instructions.
4. Damage resulting from accident, alteration, misuse, abuse, fire, flood, acts of God, improper installation, installation not in accordance with electrical or plumbing codes, or use of consumables or cleaning products not approved by Jenn-Air.
5. Cosmetic damage, including scratches, dents, chips or other damage to the finish of your major appliance, unless such damage results from defects in materials or workmanship and is reported to Jenn-Air within 30 days from the date of purchase.
6. Any food loss due to refrigerator or freezer product failures.
7. Costs associated with the removal from your home of your major appliance for repairs. This major appliance is designed to be repaired in the home and only in-home service is covered by this warranty.
8. Repairs to parts or systems resulting from unauthorized modifications made to the appliance.
9. Expenses for travel and transportation for product service if your major appliance is located in a remote area where service by an authorized Jenn-Air servicer is not available.
10. The removal and reinstallation of your major appliance if it is installed in an inaccessible location or is not installed in accordance with published installation instructions.
11. Major appliances with original model/serial numbers that have been removed, altered or cannot be easily determined. This warranty is void if the factory applied serial number has been altered or removed from your major appliance.

The cost of repair or replacement under these excluded circumstances shall be borne by the customer.

DISCLAIMER OF IMPLIED WARRANTIES; LIMITATION OF REMEDIES

CUSTOMER'S SOLE AND EXCLUSIVE REMEDY UNDER THIS LIMITED WARRANTY SHALL BE PRODUCT REPAIR AS PROVIDED HEREIN. IMPLIED WARRANTIES, INCLUDING WARRANTIES OF MERCHANTABILITY OR FITNESS FOR A PARTICULAR PURPOSE, ARE LIMITED TO ONE YEAR OR THE SHORTEST PERIOD ALLOWED BY LAW. JENN-AIR SHALL NOT BE LIABLE FOR INCIDENTAL OR CONSEQUENTIAL DAMAGES. SOME STATES AND PROVINCES DO NOT ALLOW THE EXCLUSION OR LIMITATION OF INCIDENTAL OR CONSEQUENTIAL DAMAGES, OR LIMITATIONS ON THE DURATION OF IMPLIED WARRANTIES OF MERCHANTABILITY OR FITNESS, SO THESE EXCLUSIONS OR LIMITATIONS MAY NOT APPLY TO YOU. THIS WARRANTY GIVES YOU SPECIFIC LEGAL RIGHTS, AND YOU MAY ALSO HAVE OTHER RIGHTS WHICH VARY FROM STATE TO STATE OR PROVINCE TO PROVINCE.

If outside the 50 United States and Canada, contact your authorized Jenn-Air dealer to determine if another warranty applies.

If you need service, first see the "Troubleshooting" section of the Use & Care Guide. After checking "Troubleshooting," you may find additional help by checking the "Assistance or Service" section or by calling Jenn-Air. In the U.S.A., call **1-800-536-6247**. In Canada, call **1-800-807-6777**.

6/09

Keep this book and your sales slip together for future reference. You must provide proof of purchase or installation date for in-warranty service.

Write down the following information about your major appliance to better help you obtain assistance or service if you ever need it. You will need to know your complete model number and serial number. You can find this information on the model and serial number label located on the product.

Dealer name _____

Address _____

Phone number _____

Model number _____

Serial number _____

Purchase date _____

SÉCURITÉ DE LA TABLE DE CUISSON

Votre sécurité et celle des autres est très importante.

Nous donnons de nombreux messages de sécurité importants dans ce manuel et sur votre appareil ménager. Assurez-vous de toujours lire tous les messages de sécurité et de vous y conformer.



Voici le symbole d'alerte de sécurité.

Ce symbole d'alerte de sécurité vous signale les dangers potentiels de décès et de blessures graves à vous et à d'autres.

Tous les messages de sécurité suivront le symbole d'alerte de sécurité et le mot "DANGER" ou "AVERTISSEMENT". Ces mots signifient :

⚠ DANGER

Risque possible de décès ou de blessure grave si vous ne suivez pas immédiatement les instructions.

⚠ AVERTISSEMENT

Risque possible de décès ou de blessure grave si vous ne suivez pas les instructions.

Tous les messages de sécurité vous diront quel est le danger potentiel et vous disent comment réduire le risque de blessure et ce qui peut se produire en cas de non-respect des instructions.

IMPORTANTES INSTRUCTIONS DE SÉCURITÉ

AVERTISSEMENT : Pour réduire le risque d'incendie, de choc électrique, de blessures ou de dommages lors de l'utilisation de la table de cuisson, observer les précautions élémentaires suivantes, y compris ce qui suit :

- **MISE EN GARDE :** Ne pas remiser dans les armoires au-dessus d'une table de cuisson, des articles que des enfants pourraient vouloir atteindre. Les enfants pourraient se brûler ou se blesser en grim pant sur la table de cuisson.
- Installation appropriée – S'assurer que la table de cuisson est correctement installée et reliée à la terre par un technicien qualifié.
- Ne jamais utiliser la table de cuisson pour réchauffer ou chauffer la pièce.
- Ne pas laisser les enfants seuls – Les enfants ne doivent pas être laissés seuls ou sans surveillance dans la pièce où la table de cuisson est en service. Ne jamais laisser les enfants s'asseoir ou se tenir sur une partie quelconque de la table de cuisson.
- Porter des vêtements appropriés – Des vêtements amples ou détachés ne doivent jamais être portés pendant l'utilisation de la table de cuisson.
- Entretien par l'utilisateur – Ne pas réparer ou remplacer toute pièce de la table de cuisson si ce n'est pas spécifiquement recommandé dans le manuel. Toute autre opération d'entretien ou de réparation doit être confiée à un technicien qualifié.
- Remisage sur la table de cuisson – Des matériaux inflammables ne doivent pas être remisés près des éléments à la surface.
- Ne pas utiliser d'eau sur un feu de graisse – Étouffer le feu ou la flamme ou utiliser un extincteur à produits chimiques secs ou à mousse.
- N'utiliser que des mitaines de four sèches – Des mitaines de four mouillées ou humides sur des surfaces chaudes peuvent provoquer des brûlures provenant de la vapeur. Ne pas laisser les mitaines de four toucher les éléments chauffants. Ne pas utiliser une serviette ou autre tissu épais.
- **NE PAS TOUCHER LES ÉLÉMENTS À LA SURFACE OU L'ESPACE PRÈS DES ÉLÉMENTS** – Les éléments de surface peuvent être chauds même lorsqu'ils ont une teinte foncée. Les endroits près des éléments à la surface peuvent devenir assez chauds pour provoquer des brûlures. Pendant et après l'utilisation, ne pas toucher les éléments chauffants et ne pas laisser les vêtements ou autres matériaux inflammables entrer en contact avec ces éléments de surface ou les endroits près des éléments, avant qu'ils soient suffisamment refroidis. Ces endroits comprennent la table de cuisson et les surfaces près de la table de la cuisson.

- Utiliser des ustensiles de format approprié – La table de cuisson est munie d'un ou de plusieurs éléments chauffants de différentes grandeurs. Choisir les ustensiles qui ont un fond plat assez grand pour couvrir l'élément chauffant de la surface de cuisson. L'utilisation d'ustensiles trop petits exposera une partie de l'élément chauffant, ce qui peut provoquer l'inflammation des vêtements. L'utilisation d'un récipient de format correct améliore l'efficacité de la cuisson.
 - Ne jamais laisser les éléments de la table de cuisson sans surveillance alors qu'ils chauffent à la puissance maximale – Il pourrait en résulter une ébullition qui cause de la fumée et des renversements de corps gras qui peuvent s'enflammer.
 - Ustensiles de cuisson vitrifiés – Seulement certains types d'ustensiles de verre, vitrocéramique, céramique, faïence ou autres surfaces vitrifiées conviennent pour le service sur une table de cuisson, sans bris attribuables aux changements soudains de température.
 - Les poignées des ustensiles doivent être tournées vers l'intérieur et non vers le dessus des éléments adjacents – Pour réduire les risques de brûlures, d'inflammation de produits combustibles et de renversements dus à l'entrechoquement non intentionnel des ustensiles, la poignée d'un ustensile doit être positionnée de sorte qu'elle est tournée vers l'intérieur et non au-dessus des éléments de surface adjacents.
 - Ne pas faire cuire sur une table de cuisson endommagée – Si la table de cuisson est brisée, les solutions de nettoyage et les renversements peuvent pénétrer dans la table brisée et créer le risque d'un choc électrique. Contacter immédiatement un technicien qualifié.
 - Nettoyer la table de cuisson avec prudence – Si une éponge ou un chiffon mouillé est utilisé pour essuyer les renversements sur une surface de cuisson chaude, éviter les brûlures causées par la vapeur chaude. Certains nettoyants peuvent produire des émanations désagréables lorsqu'ils sont utilisés sur une surface chaude.
- Pour les appareils avec hotte de ventilation –**
- Nettoyer les hottes de ventilation fréquemment – La graisse ne doit pas s'accumuler sur la hotte ou le filtre.
 - Lorsque vous flambez des aliments sous la hotte, mettre le ventilateur en marche.
- Pour les appareils à éléments en spirale –**
- S'assurer que les cuvettes de propreté sont en place – L'absence de ces cuvettes au cours de la cuisson peut causer des dommages aux fils ou aux composants en dessous des éléments.
 - Garnissages protecteurs – Ne pas recouvrir les cuvettes de papier d'aluminium sauf tel que suggéré dans le manuel. L'installation incorrecte de papier d'aluminium ou autre matériau peut causer un risque de choc électrique ou d'incendie.
 - Ne pas tremper les éléments de chauffage amovibles – Les éléments de chauffage ne doivent jamais être immergés dans l'eau.

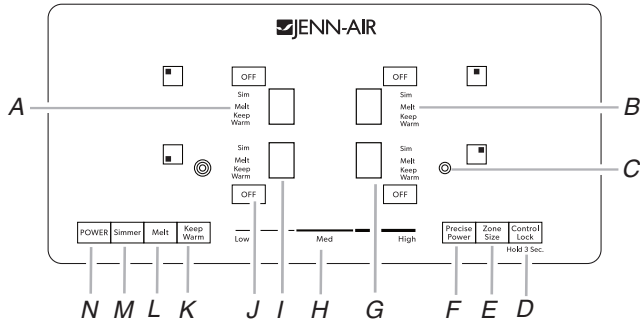
CONSERVEZ CES INSTRUCTIONS

PIÈCES ET CARACTÉRISTIQUES – COMMANDES TACTILES

Ce manuel couvre différents modèles. La table de cuisson que vous avez achetée peut comporter tous les articles énumérés ou seulement certains d'entre eux. L'emplacement et l'apparence des caractéristiques illustrées peuvent ne pas correspondre à ceux de votre modèle.

Tableaux de commande

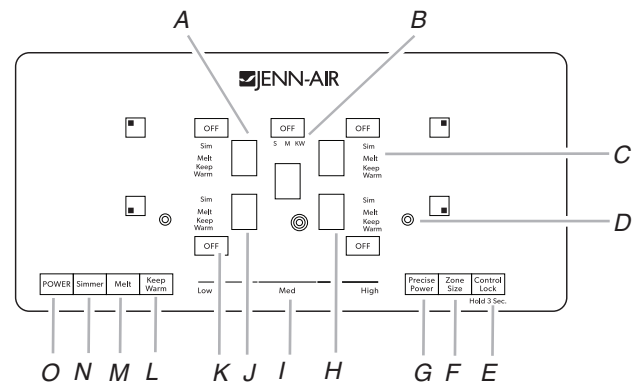
Modèle JEC4430 de 30" (76,2 cm) illustré pour référence



- A. Commande tactile arrière gauche
- B. Commande tactile centrale arrière
- C. Témoin de zone
- D. Commande tactile de verrouillage des commandes
- E. Commande tactile de dimension de zone
- F. Commande tactile Precise Power™
- G. Commande tactile arrière droite
- H. Commande tactile par glissement de niveau de puissance

- I. Commande tactile avant gauche
- J. Commande tactile d'élément DÉSACTIVÉ
- K. Commande tactile de la fonction Keep Warm™
- L. Commande tactile de la fonction Faire fondre
- M. Commande tactile de fonction de mijotage
- N. Commande tactile de mise sous tension de la table de cuisson

Modèle JEC4536 de 36" (91,4 cm) illustré pour référence

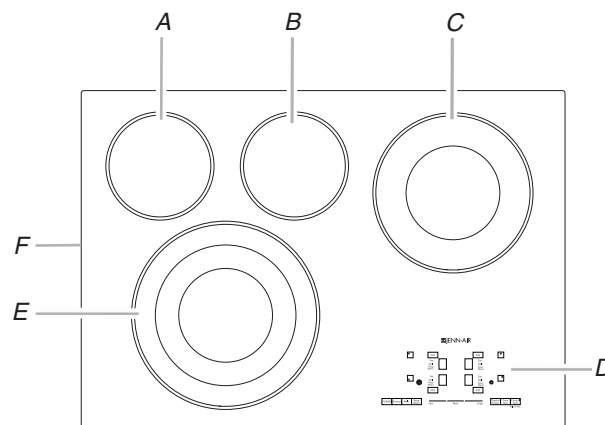


- A. Commande tactile arrière gauche
- B. Commande tactile centrale arrière
- C. Commande tactile arrière droite
- D. Témoin de zone
- E. Commande tactile de verrouillage des commandes
- F. Commande tactile de dimension de zone
- G. Commande tactile Precise Power™
- H. Commande tactile avant droite
- I. Commande tactile par glissement de niveau de puissance

- J. Commande tactile avant gauche
- K. Commande tactile d'élément DÉSACTIVÉ
- L. Commande tactile de la fonction Keep Warm™
- M. Commande tactile de la fonction Faire fondre
- N. Commande tactile de fonction de mijotage
- O. Commande tactile de mise sous tension de la table de cuisson

Tables de cuisson

Modèle JEC4430 de 30" (76,2 cm) illustré pour référence



- A. Zone de cuisson de surface arrière gauche
- B. Zone de cuisson centrale arrière

- C. Zone de cuisson de surface arrière droite (élément à double dimension)
- D. Tableau de commande

- E. Surface de cuisson avant gauche (élément haute puissance de 4500 W à triple dimension)
- F. Plaque signalétique (située sous la table de cuisson, sur la caisse métallique)

COMMANDES DE LA TABLE DE CUISSON – COMMANDES TACTILES

Commandes de la table de cuisson

AVERTISSEMENT



Risque d'incendie

Fermer tous les réglages lorsque la cuisson est terminée.

Le non-respect de cette instruction peut causer un décès ou un incendie.

IMPORTANT : Afin d'éviter d'endommager la table de cuisson, ne pas placer d'objets sur les commandes. Si l'on place quelque chose sur les commandes, un léger "bip" retentit pour indiquer à l'utilisateur de retirer rapidement l'objet. Après un certain temps, le code d'erreur "F1E0" s'affiche. Cela signifie que le tableau de commande s'auto-verrouille pour éviter que l'objet placé dessus ne cause de dommage. Pour réutiliser la table de cuisson, déconnecter la source de courant électrique ou réinitialiser le disjoncteur. Voir "La table de cuisson affiche le code d'erreur F1E0" dans la section "Dépannage".

Veiller à verrouiller la table de cuisson à l'aide de l'option Control Lock (verrouillage des commandes (voir la section "Verrouillage des commandes") lorsque l'on nettoie la zone située autour des commandes. Si la table de cuisson n'est pas verrouillée et que le code d'erreur "F1E0" apparaît, réinitialiser le disjoncteur.

Utilisation :

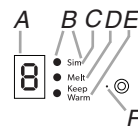
Pour allumer la table de cuisson :

1. Appuyer sur POWER (mise sous tension).

Le témoin lumineux situé au-dessus de la touche Power (mise sous tension) ainsi qu'un tiret ("-") pour chaque surface de cuisson s'allume pour indiquer que toutes les surfaces de cuisson sont prêtes à être activées. Si l'on ne fait rien pendant la minute qui suit l'activation de l'alimentation principale, l'alimentation de la table de cuisson est automatiquement interrompue.

Activation d'une surface de cuisson :

Appuyer sur la zone d'affichage (A) correspondant à la surface de cuisson que l'on souhaite utiliser.



- A. Affichage du niveau de puissance/sélecteur de la surface active
- B. Témoin de fonction de cuisson automatique (Simmer [mijotage], Melt [faire fondre], Keep Warm™)
- C. Mijotage
- D. Faire fondre
- E. Keep Warm™
- F. Témoin de dimension de la zone (zones double/triple polyvalentes uniquement)

Le niveau de puissance actuel et le témoin lumineux clignotent pendant 10 secondes, puis restent allumés.

Si l'on touche une autre caractéristique ou le curseur d'alimentation, le clignotement cesse, et les informations concernant la touche qui a été touchée s'affichent.

Lorsqu'une surface de cuisson reste au niveau de puissance "0" pendant 25 secondes, la surface de cuisson s'éteint automatiquement et seul le tiret du milieu s'affiche, sans indicateur lumineux.

Lorsqu'on laisse le réglage d'un élément de surface au niveau de puissance "0" pendant 1 minute et 25 secondes et qu'aucune autre surface de cuisson n'est activée, la table de cuisson s'éteint.

2. Sélectionner un niveau de chaleur de 1 à 9 en touchant/ faisant glisser le curseur de puissance. Sélectionner un réglage de chaleur entre 1 et 9 en touchant/faisant glisser le curseur de niveau de puissance ou sélectionner un réglage de cuisson automatique (Melt (faire fondre), Simmer (mijotage), Keep Warm™ ou Precise Power™). Le réglage de chaleur apparaît sur l'affichage de la surface de cuisson.



A. Commande tactile par glissement de niveau de puissance

Si l'on touche une fonction de cuisson ou le curseur d'alimentation sans sélectionner de surface de cuisson au préalable, tous les tirets (un par zone) clignotent et un signal sonore d'action invalide retentit 4 fois.

Utiliser le tableau suivant comme guide lors du réglage des niveaux de chaleur. L'élément triple à puissance élevée (4500 W) (avant gauche sur les modèles JEC4430 de 30" ou central arrière sur les modèles JEC4536 de 36") offre la vitesse d'ébullition et de mijotage optimale pour les grandes casseroles. Pour que la performance d'ébullition avec des casseroles de 10" (25,4 cm) et plus soit optimale, utiliser l'élément triple (toutes les zones doivent être actives) et le régler sur Precise Power™ (position par défaut). Pour une performance idéale au réglage faible avec des casseroles de 10" et plus, utiliser le même élément au réglage d'élément unique.

RÉGLAGE	UTILISATION RECOMMANDÉE
Precise Power™ (P)	<ul style="list-style-type: none"> ■ Utiliser la puissance la plus élevée possible ■ Porter un liquide à ébullition
High (élevé) 9	<ul style="list-style-type: none"> ■ Démarrer la cuisson des aliments. ■ Porter un liquide à ébullition.
Medium High (moyen-élevé) Entre 7 et 8	<ul style="list-style-type: none"> ■ Maintenir une ébullition rapide. ■ Brunir ou saisir rapidement les aliments.
Med (moyen) 6	<ul style="list-style-type: none"> ■ Maintenir une ébullition lente. ■ Faire frire ou sauter les aliments.
Medium Low (moyen - bas) Entre 3 et 5	<ul style="list-style-type: none"> ■ Faire cuire les soupes et les sauces. ■ Faire mijoter ou étuver les aliments.
Low (faible) Entre 1 et 2	<ul style="list-style-type: none"> ■ Fournit le réglage de chaleur le plus faible.
Éléments double/triple	<ul style="list-style-type: none"> ■ Ustensile de cuisson à grand diamètre. ■ Grandes quantités de nourriture. ■ Préparation de conserves à la maison.
Simmer (Sim) (mijotage)	<ul style="list-style-type: none"> ■ Mijotage des sauces.
Melt (faire fondre)	<ul style="list-style-type: none"> ■ Faire fondre le chocolat ou le beurre.
Keep Warm™	<ul style="list-style-type: none"> ■ Pour garder au chaud les aliments cuits.

REMARQUE : Les éléments ne rougeoient pas à tous les réglages.

N'OUBLIEZ PAS : Quand l'appareil est utilisé, toute la surface de la table de cuisson peut devenir chaude.

Témoin lumineux de surface chaude

Un "H" apparaît sur l'afficheur de la surface de cuisson tant qu'une surface de cuisson est trop chaude pour être touchée, même une fois que la ou les surfaces sont éteintes.



Gestion de la température des composants

Durant son utilisation, la table de cuisson régule la température des composants internes. Si nécessaire, la table de cuisson réduit automatiquement la puissance de tous les éléments en cours d'utilisation pour empêcher les composants internes de surchauffer. Pour conserver une performance de cuisson optimale, laisser la table de cuisson refroidir pendant 30 minutes.

Fonctions de cuisson automatiques

Tous les éléments présentent des niveaux de cuisson automatiques (Simmer [mijotage], Melt [faire fondre], Keep Warm™ et Precise Power™) qui programment la table de cuisson au niveau de chaleur exact requis pour certaines tâches. On peut utiliser ces réglages sur plus d'un élément à la fois.

Utilisation :

1. Appuyer sur la zone d'affichage correspondant à l'élément de cuisson que l'on souhaite utiliser.
2. Appuyer sur le réglage que l'on souhaite utiliser (Simmer [mijotage], Melt [faire fondre], Keep Warm™ et Precise Power™). Un "A" apparaît sur l'affichage et le témoin lumineux situé à côté de la fonction adéquate s'allume.

Désactivation :

Simmer (mijotage), Melt (faire fondre), Keep Warm™ et Precise Power™ peuvent être désactivés de 3 manières différentes :

Utiliser le curseur de niveau de puissance pour le régler à un niveau de chaleur.

OU

Toucher la touche OFF (arrêt) de la surface de cuisson.

OU

Sélectionner une autre fonction de cuisson.

Maintien au chaud

⚠ AVERTISSEMENT

Risque d'empoisonnement alimentaire

Ne pas laisser des aliments reposer plus d'une heure avant ou après la cuisson.

Le non-respect de cette instruction peut causer un empoisonnement alimentaire ou une maladie.

La surface de cuisson Keep Warm™ peut être utilisée pour maintenir au chaud les aliments cuits. La durée maximale recommandée pour maintenir la qualité des aliments est d'une heure.

Elle n'est pas recommandée pour faire chauffer des aliments froids. Lorsqu'on utilise la fonction Keep Warm™, elle ne rougeoie pas comme les zones de cuisson, mais le témoin s'allume sur le tableau de commande.

Utiliser seulement les ustensiles et plats recommandés pour l'utilisation au four et sur la table de cuisson, et qui ont un fond plat permettant un contact direct avec la surface de la table de cuisson. Utiliser des mitaines de four ou des poignées pour retirer les ustensiles.

Couvrir tous les aliments avec un couvercle ou du papier d'aluminium. Ne pas utiliser de pellicule de plastique pour couvrir les aliments car elle pourrait fondre sur la surface de la table de cuisson. Lors du réchauffage de produits de boulangerie, prévoir une petite ouverture pour laisser l'humidité s'échapper.

Precise Power™

La fonction Precise Power™ sélectionne automatiquement le réglage le plus élevé pour certaines tâches, comme amener l'eau rapidement à ébullition.

On peut aussi utiliser Precise Power™ pour chauffer automatiquement les aliments au réglage le plus élevé puis réduire la puissance comme on le souhaite. Après 2 minutes de chauffage au réglage Precise Power™, l'élément triple commence à fonctionner par intermittence pour éviter une surchauffe. Pour tous les niveaux de puissance, il est normal que l'élément fonctionne par intermittence.

Activation

Utilisation pour une performance élevée optimale

1. Vérifier qu'une surface de cuisson a été sélectionnée.
2. Appuyer sur Precise Power™. "P" apparaît sur l'afficheur.

Après 2 minutes de chauffage au réglage Precise Power™, l'élément triple commence à fonctionner par intermittence pour éviter une surchauffe. Après 13 minutes, on peut réactiver Precise Power™ si l'on souhaite poursuivre la cuisson au réglage le plus élevé - il est cependant normal que l'élément fonctionne par intermittence.

Utiliser le réglage maximal pendant 13 minutes puis réduire automatiquement la puissance à une puissance faible-moyenne/élevée

1. Vérifier qu'une surface de cuisson a été sélectionnée.
2. Sélectionner le niveau de puissance de fin de cuisson souhaité sur le curseur tactile de niveau de puissance, tel qu'indiqué dans la section "Commandes de la table de cuisson".
3. Appuyer sur Precise Power™. "P" apparaît sur l'affichage

Après 13 minutes, la puissance est automatiquement réduite au niveau de puissance défini. Après 2 minutes de chauffage au réglage Precise Power™, l'élément triple commence à fonctionner par intermittence pour éviter une surchauffe. Après 13 minutes, on peut réactiver Precise Power™ si l'on souhaite poursuivre la cuisson au niveau de puissance le plus élevé - il est cependant normal que l'élément fonctionne par intermittence.

Désactivation

Precise Power™ peut être désactivé de 3 manières différentes :

Utiliser le curseur de niveau de puissance pour le régler à un niveau de chaleur.

OU

Toucher la touche OFF (arrêt) de la surface de cuisson.

OU

Sélectionner une autre fonction de cuisson.

Éléments double/triple

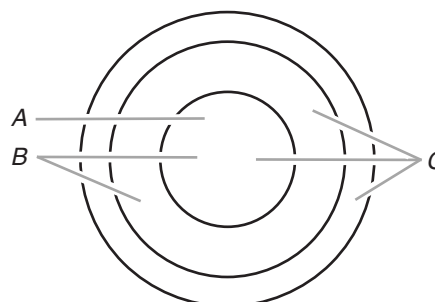
Les éléments double et triple offrent une souplesse d'utilisation en fonction de la taille de l'ustensile de cuisson. La dimension simple peut être utilisée de la même manière qu'un élément ordinaire. La dimension double et la dimension triple combinent l'élément simple, l'élément double et l'élément externe; leur utilisation est recommandée pour les ustensiles de cuisson de plus grande dimension, pour les grandes quantités de nourriture et la préparation de conserves à la maison.

Pour une performance de cuisson idéale à forte température, utiliser un brûleur de taille adaptée à celle de l'ustensile de cuisson.

Pour une vitesse d'ébullition maximale, les trois zones de l'élément triple doivent être actives lorsqu'on utilise des casseroles de 10" (25,4 cm) ou plus.

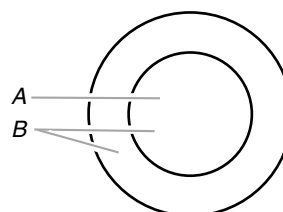
Pour une performance idéale de mijotage ou de cuisson à petit feu, placer le plat de cuisson sur l'anneau de cuisson le plus large qui lui corresponde et n'utiliser qu'un seul élément circulaire de cuisson pour obtenir la performance souhaitée.

Élément triple (sur certains modèles)



A. Dimension simple
B. Dimension double
C. Dimension triple

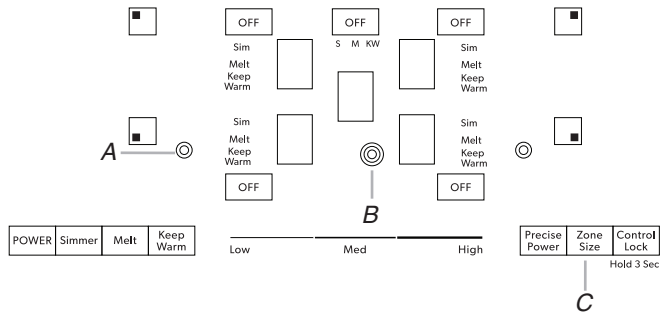
Élément double



A. Élément simple
B. Élément double

Utilisation des éléments DOUBLE et TRIPLE :

1. Appuyer sur la zone d'affichage correspondant à l'élément de cuisson que l'on souhaite utiliser. Le réglage par défaut correspond à la zone de cuisson la plus grande.
2. Appuyer sur la commande tactile Zone Size (dimension de zone) pour ajuster le réglage à une casserole de taille différente. L'affichage de la dimension de la zone présente un, deux ou trois tirets lumineux correspondant respectivement aux zones sélectionnées un, deux ou trois.
3. Activer l'élément en réglant le niveau de puissance grâce au curseur 0-9 ou aux fonctions de cuisson automatique.



- A. Témoin lumineux de l'élément double
- B. Témoin lumineux de l'élément triple
- C. Commande tactile de dimension de zone

REMARQUE : Si l'on désactive l'élément à l'aide du bouton Off (arrêt) du clavier, les éléments double et triple mémorisent le réglage effectué lors de la dernière utilisation et ces zones de brûleurs s'activent automatiquement lorsqu'on sélectionne l'élément la fois suivante.

Verrouillage des commandes

Le verrouillage des commandes empêche l'utilisation involontaire des surfaces de cuisson.

Si le verrouillage des commandes est activé lorsque la table de cuisson est inactive, la table de cuisson est verrouillée et les surfaces de cuisson ne peuvent pas être allumées au moyen des commandes tactiles de la table de cuisson.

Pour éviter l'activation involontaire des touches, activer le verrouillage des commandes lors du nettoyage de la zone du tableau de commande ou lorsqu'on laisse des objets sur cette zone.

Si le verrouillage des commandes est activé alors que la table de cuisson est allumée, toutes les touches se verrouillent à l'exception des touches POWER (mise sous tension), OFF (arrêt) et CONTROL LOCK (verrouillage des commandes).

Pour verrouiller la table de cuisson :

Appuyer sur la touche CONTROL LOCK pendant 3 secondes. Après 3 secondes, un signal sonore retentit et le témoin lumineux situé au-dessus de la touche Control Lock (verrouillage des commandes) s'allume, indiquant que les commandes de la table de cuisson sont en position de verrouillage.

Si la table de cuisson est en cours d'utilisation lorsqu'on active Control Lock, la cuisson se poursuit normalement.

Déverrouillage de la table de cuisson :

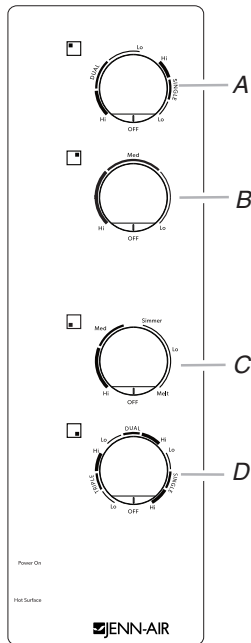
Appuyer sur la touche CONTROL LOCK pendant 3 secondes.

PIÈCES ET CARACTÉRISTIQUES – COMMANDES À BOUTONS ROTATIFS

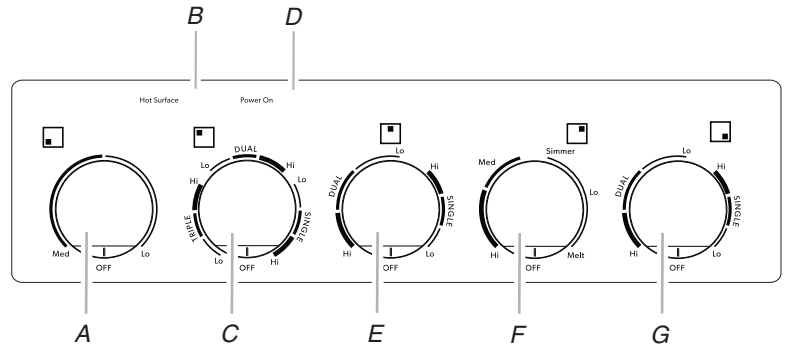
Ce manuel couvre différents modèles. La table de cuisson que vous avez achetée peut comporter tous les articles énumérés ou seulement certains d'entre eux. L'emplacement et l'apparence des caractéristiques illustrées peuvent ne pas correspondre à ceux de votre modèle. Les cases grisées indiquent la correspondance entre les boutons et leurs éléments.

Tableaux de commande

Modèle JEC3430 de 30" (76,2 cm) illustré pour référence



Modèle JEC3536 de 36" (91,4 cm) illustré pour référence



A. Bouton de commande arrière gauche (élément à double zone)
B. Bouton de commande arrière droit

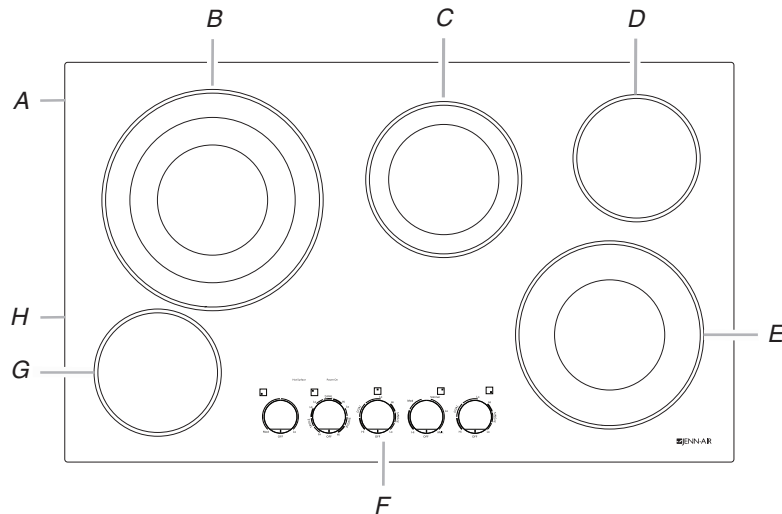
C. Bouton de commande avant gauche (élément de mijotage/ Faire fondre)
D. Bouton de commande avant droit (élément à triple zone)

A. Bouton de commande avant gauche (élément de maintien au chaud)
B. Témoin lumineux de surface chaude
C. Bouton de commande arrière gauche (élément à triple zone)

D. Témoin lumineux de table de cuisson activée
E. Bouton de commande central arrière (élément à double zone)
F. Bouton de commande arrière droit (élément de mijotage/ Faire fondre)
G. Bouton de commande avant droit (élément à double zone)

Tables de cuisson

Modèle JEC3536 de 36" (91,4 cm) illustré pour référence



A. Table de cuisson en vitrocéramique
B. Zone de cuisson de surface arrière gauche (élément à triple zone)

C. Zone de cuisson centrale arrière (élément à double zone)
D. Zone de cuisson de surface arrière droite
E. Zone de cuisson de surface avant droite (élément à double zone)

F. Tableau de commande
G. Surface de cuisson avant gauche
H. Plaque signalétique (située sous la table de cuisson, sur la caisse métallique)

COMMANDES DE LA TABLE DE CUISSON – COMMANDES À BOUTONS ROTATIFS

Commandes de la table de cuisson

AVERTISSEMENT

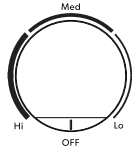


Risque d'incendie

Fermer tous les réglages lorsque la cuisson est terminée.

Le non-respect de cette instruction peut causer un décès ou un incendie.

Les boutons de commande peuvent être réglés à n'importe quelle position entre HI et LO.



Utilisation :

1. Pousser et tourner le bouton au réglage de chaleur désiré. Utiliser le tableau suivant comme guide lors du réglage des niveaux de chaleur.

RÉGLAGE	UTILISATION RECOMMANDÉE
Hi (élevée)	<ul style="list-style-type: none">■ Démarrer la cuisson des aliments.■ Porter un liquide à ébullition.
Medium High (moyen-élevé)	<ul style="list-style-type: none">■ Maintenir une ébullition rapide.■ Brunir ou saisir rapidement les aliments.
Med (moyen)	<ul style="list-style-type: none">■ Maintenir une ébullition lente.■ Faire frire ou sauter les aliments.■ Faire cuire les soupes et les sauces.■ Mijotage vif ou mijotage sans couvercle.

RÉGLAGE	UTILISATION RECOMMANDÉE
Medium Low (moyen - bas)	<ul style="list-style-type: none"> ■ Faire mijoter ou étuver les aliments. ■ Faire mijoter.
Lo (faible)	<ul style="list-style-type: none"> ■ Mijotage lent avec couvercle.
Éléments double/triple	<ul style="list-style-type: none"> ■ Préparation de conserves à la maison. ■ Ustensile de cuisson à grand diamètre. ■ Grandes quantités de nourriture.
Melt (faire fondre) (sur certains éléments)	<ul style="list-style-type: none"> ■ Faire fondre le chocolat ou le beurre.
Simmer (mijotage) (sur certains éléments)	<ul style="list-style-type: none"> ■ Faire mijoter les sauces

REMARQUE : Les éléments ne rougeoient pas à tous les réglages.

N'OUBLIEZ PAS : Quand l'appareil est utilisé, toute la surface de la table de cuisson peut devenir chaude.

Témoins lumineux de surface chaude (sur les modèles à module de commande standard)

Les témoins de surface chaude restent allumés tant qu'une surface de cuisson est trop chaude pour être touchée, même après que la ou les surfaces de cuisson sont éteintes.



Si une panne de courant survient alors que la table de cuisson est allumée, les témoins lumineux de surface chaude resteront allumés après le rétablissement de l'alimentation électrique à la table de cuisson. Ils resteront allumés jusqu'à ce que la table de cuisson refroidisse complètement.

Témoin d'alimentation

Chaque table de cuisson comporte un témoin d'alimentation. Le témoin lumineux s'allume lorsque l'un des brûleurs est en marche.

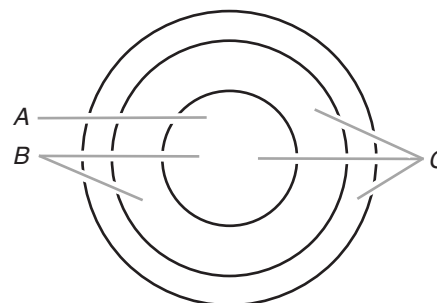
Éléments double/triple

Les éléments à double et triple dimension offrent une souplesse d'utilisation en fonction de la taille de l'ustensile de cuisson. La dimension simple peut être utilisée de la même manière qu'un élément ordinaire. L'élément à double dimension combine l'élément simple et l'élément externe; il est recommandé pour les ustensiles de cuisson de grande dimension, les grandes quantités d'aliments et pour la préparation de conserves à la maison.

Pour une performance de cuisson idéale à forte température, utiliser un brûleur de taille adaptée à celle de l'ustensile de cuisson.

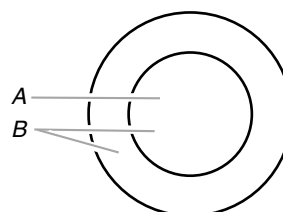
Pour une performance idéale de mijotage ou de cuisson à petit feu, placer le plat de cuisson sur l'anneau de cuisson le plus large qui lui corresponde et n'utiliser qu'un seul "anneau" de cuisson pour obtenir la performance souhaitée.

Élément triple (sur certains modèles)

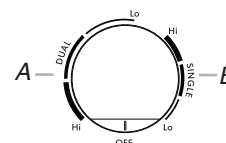


A. Dimension simple
B. Dimension double
C. Dimension triple

Élément double



A. Élément simple
B. Élément double



A. Zone double
B. Zone simple

Utilisation de l'élément SIMPLE :

1. Appuyer sur le bouton et le tourner de la position OFF (arrêt) à la zone SINGLE (simple) n'importe où entre Lo (faible) et Hi (élevé).
2. Tourner le bouton à OFF (arrêt) après avoir terminé.

Utilisation des éléments DOUBLE et TRIPLE :

1. Appuyer sur le bouton et le tourner de la position OFF (arrêt) à la zone DUAL (double) ou TRIPLE n'importe où entre Lo (faible) et Hi (élevé).
2. Tourner le bouton à OFF (arrêt) après avoir terminé.

UTILISATION DE LA TABLE DE CUISSON

Vitrocéramique (sur certains modèles)

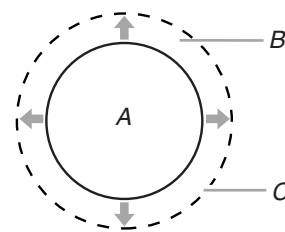
La surface de cuisson rougeoie lorsqu'un élément est allumé. Il est possible que certaines zones de la surface de cuisson ne rougeoient pas lorsqu'un élément est allumé. Ceci est normal. Le brûleur fonctionne par intermittence pour maintenir le niveau de chaleur sélectionné. Il fonctionne également par intermittence lorsqu'il est réglé à un niveau de chaleur élevé afin de protéger la table de cuisson contre des températures extrêmes.

Il est normal que la surface de la vitrocéramique de couleur claire donne l'impression de changer de couleur lorsque les zones de cuisson à la surface sont chaudes. Elle reprendra sa couleur initiale au fur et à mesure que le verre refroidira.

Le nettoyage de la table de cuisson avant et après chaque utilisation permettra d'éviter les taches et d'obtenir une meilleure répartition de la chaleur. Sur les tables de cuisson avec vitrocéramique de couleur claire, les souillures et taches peuvent être plus visibles et nécessiter davantage de nettoyage et de soin. L'utilisation d'un nettoyant et d'un grattoir pour table de cuisson est recommandée. Pour plus de renseignements, voir la section "Nettoyage général".

- Éviter de remiser des bocaux ou des boîtes de conserve au-dessus de la table de cuisson. La chute d'un objet lourd ou dur sur la table de cuisson pourrait la fissurer.
- Pour éviter d'endommager la table de cuisson, ne pas laisser de couvercle chaud sur la table de cuisson. Lors du refroidissement de la surface de cuisson, de l'air peut être emprisonné entre le couvercle et la table de cuisson, et la vitrocéramique peut se casser au moment où on retire le couvercle.
- Nettoyer tous les renversements et toutes les saletés des aliments contenant du sucre sous n'importe quelle forme dès que possible. Laisser la table de cuisson refroidir légèrement; puis, en portant des mitaines de four, essuyer les renversements avec un grattoir tandis que la surface est encore tiède. Si on laisse le sucre refroidir sur la table de cuisson, il se peut que celui-ci adhère à la surface et entraîne de la corrosion et des marques permanentes.
- Pour éviter les égratignures, ne pas faire glisser des ustensiles de cuisson ou de cuisson au four sur la table de cuisson. Les bases en aluminium ou en cuivre et les finitions rugueuses des ustensiles de cuisson ou de cuisson au four pourraient laisser des égratignures ou des marques sur la table de cuisson.
- Ne pas faire cuire du maïs éclaté préemballé dans des contenants en aluminium sur la table de cuisson. Le contenant pourrait laisser des marques d'aluminium qui ne peuvent pas être enlevées complètement.
- Pour éviter d'endommager la table de cuisson, ne pas laisser des objets qui pourraient fondre, comme du plastique ou du papier d'aluminium, toucher une partie quelconque de la table de cuisson.
- Pour éviter d'endommager la table de cuisson, ne pas utiliser la table de cuisson comme planche à découper.

- Utiliser des ustensiles de cuisson à peu près de la même dimension que la zone de cuisson à la surface. Les ustensiles ne doivent pas dépasser de plus de ½" (1,3 cm) hors de la zone de cuisson.



A. Zone de cuisson à la surface
B. Ustensile de cuisson/autoclave
C. Dépassement maximal de ½" (1,3 cm)

- Utiliser des ustensiles de cuisson à fond plat pour une meilleure transmission de la chaleur et plus d'économies d'énergie. Les ustensiles de cuisson dont le fond est arrondi, gauchi, nervuré ou entaillé pourraient causer un chauffage inégal et des résultats de cuisson médiocres.
- Déterminer si le fond d'un ustensile de cuisson est plat en plaçant le bord d'une règle contre la base de l'ustensile. Peu importe la façon dont on place la règle, aucun espace ni aucune lumière ne devrait être visible entre la règle et l'ustensile.
- Les ustensiles de cuisson dont le fond comporte de légères bosselures ou de petites rainures de dilatation (conception cuisine) peuvent être utilisés.
- S'assurer que le dessous des casseroles et des poêles est propre et sec avant de les utiliser. Les résidus et l'eau peuvent laisser des dépôts lors de la cuisson.
- Ne pas faire cuire d'aliments directement sur la table de cuisson pour éviter de l'endommager.

Mise en conserve à la maison

Lors de la préparation de conserves pendant de longues périodes, alterner l'utilisation des surfaces de cuisson ou des éléments entre les quantités préparées. Ceci permet aux dernières surfaces utilisées de refroidir.

- Centrer l'autoclave sur la plus grande surface de cuisson ou sur le plus grand élément. L'autoclave ne doit pas dépasser de plus de ½" (1,3 cm) hors de la surface ou de l'élément de cuisson.
- Ne pas placer l'autoclave sur deux surfaces de cuisson ou deux éléments à la fois.
- Sur les modèles à vitrocéramique, n'utiliser que des autoclaves à fond plat.
- Pour plus d'informations, contacter votre service agricole local. Les compagnies qui fabriquent des produits pour la préparation de conserves peuvent aussi offrir de l'aide.

Ustensiles de cuisson

IMPORTANT : Ne pas laisser un ustensile de cuisson vide sur la surface chaude d'une zone de cuisson, d'un élément ou d'un brûleur de surface.

Les ustensiles de cuisson idéals doivent avoir un fond plat, des parois droites, un couvercle qui ferme bien et le matériau doit être d'épaisseur moyenne à forte.

Les surfaces rudes peuvent égratigner la table de cuisson. L'aluminium et le cuivre peuvent être employés comme fond ou base d'un ustensile de cuisson. Cependant, utilisés comme base, ils peuvent laisser des marques permanentes sur la table de cuisson ou les grilles.

Le matériau d'un ustensile de cuisson affecte la rapidité et l'uniformité de la transmission de la chaleur, et affecte les résultats de cuisson. Un fini antiadhésif a les mêmes caractéristiques que son matériau de base.

Par exemple, un ustensile de cuisson en aluminium avec un fini antiadhésif aura les propriétés de l'aluminium.

Utiliser le tableau suivant comme guide pour les caractéristiques du matériau de l'ustensile de cuisson.

Ustensiles	Caractéristiques
Aluminium	<ul style="list-style-type: none">■ Chauffe rapidement et uniformément.■ Convient à tous les genres de cuisson.■ L'épaisseur moyenne ou forte convient le mieux pour la plupart des tâches de cuisson.
Fonte	<ul style="list-style-type: none">■ Chauffe lentement et uniformément.■ Convient pour le brunissage et la friture.■ Maintient la chaleur pour une cuisson lente.
Céramique ou vitrocéramique	<ul style="list-style-type: none">■ Suivre les instructions du fabricant.■ Chauffe lentement mais inégalement.■ Les meilleurs résultats sont obtenus aux réglages de chaleur basse à moyenne.
Cuivre	<ul style="list-style-type: none">■ Chauffe très rapidement et uniformément.
Terre cuite	<ul style="list-style-type: none">■ Suivre les instructions du fabricant.■ Utiliser des réglages de température basse.
Acier émaillé en porcelaine ou fonte émaillée	<ul style="list-style-type: none">■ Voir acier inoxydable ou fonte.
Acier inoxydable	<ul style="list-style-type: none">■ Chauffe rapidement, mais inégalement.■ Un fond ou une base d'aluminium ou de cuivre sur l'acier inoxydable procure un chauffage uniforme.

ENTRETIEN DE LA TABLE DE CUISSON

Nettoyage général

IMPORTANT : Avant le nettoyage, s'assurer que toutes les commandes sont désactivées et que la table de cuisson est refroidie. Toujours suivre les instructions figurant sur les étiquettes des produits de nettoyage.

Du savon, de l'eau et un chiffon doux ou une éponge sont recommandés à moins d'indication contraire. Lorsque l'on nettoie la table de cuisson ainsi que les commandes électroniques, verrouiller les commandes. Voir la section "Verrouillage des commandes".

MODÈLES EN ACIER INOXYDABLE

Afin d'éviter d'endommager les surfaces en acier inoxydable de couleur, ne pas utiliser de tampons à récurer savonneux, de nettoyeurs abrasifs, de nettoyeurs pour table de cuisson, de tampons en laine d'acier, de chiffons de lavage rudes ou d'essuie-tout abrasifs.

Méthode de nettoyage :

Frotter dans la direction du grain pour éviter les dommages.

- Nettoyant et poli pour acier inoxydable affresh® – Pièce n° W10355016B (non inclus) : Voir la section "Assistance ou service" pour commander.
- Détergent liquide ou nettoyeur tout-usage : Rincer à l'eau propre et sécher avec un chiffon doux sans charpie.
- Vinaigre pour les taches d'eau dure.

COMMANDES DE LA TABLE DE CUISSON

Afin d'éviter d'endommager les commandes de la table de cuisson, ne pas utiliser de laine d'acier, de nettoyeurs abrasifs ou de nettoyeur pour four.

Afin d'éviter tout dommage, ne pas immerger les boutons de commande.

Lors de la réinstallation des boutons, s'assurer que chaque bouton est à la position Off (arrêt).

Ne pas retirer les joints sous les boutons.

Méthode de nettoyage :

- Savon et eau : Tirer les boutons directement hors du tableau de commande pour les enlever.
- Ne pas placer les boutons dans le lave-vaisselle.

VITROCÉRAMIQUE

Afin d'éviter d'endommager la table de cuisson, ne pas utiliser de laine d'acier, de nettoyeurs en poudre abrasifs, d'agent de blanchiment au chlore, de produit antirouille ou d'ammoniaque.

Méthode de nettoyage :

Toujours essuyer avec une éponge ou un linge propre mouillé et sécher à fond pour éviter les rayures et les taches.

Le nettoyeur pour table de cuisson affresh® (pièce n° W10355051B) est recommandé pour une utilisation régulière afin d'éviter les égratignures, les piqûres et abrasions, et pour entretenir la table de cuisson. Il peut être commandé comme accessoire. Voir la section "Assistance ou service" pour commander.

Un grattoir pour table de cuisson est également recommandé pour les taches tenaces; il peut être commandé comme accessoire. Voir la section "Assistance ou service" pour commander. Le grattoir pour table de cuisson utilise des lames de rasoir. Ranger les lames de rasoir hors de portée des enfants.

Souillure légère à modérée

- Essuie-tout ou éponge humide propre : Nettoyer pendant que la table de cuisson est encore tiède. Il est suggéré de porter des mitaines de four pour ce nettoyage.

Renversements de matières sucrées (gelées, confiseries, sirop)

- Grattoir pour table de cuisson : Nettoyer pendant que la table de cuisson est encore tiède. Il est suggéré de porter des mitaines de four pour ce nettoyage.
- Nettoyant pour table de cuisson affresh® et essuie-tout propre et humide : Nettoyer dès que la table de cuisson a refroidi. Frotter la crème sur la surface avec un essuie-tout ou un linge doux humide. Continuer de frotter jusqu'à ce que la pellicule blanche disparaisse.

Souillure épaisse, rayures foncées, piqûres et décoloration

- Nettoyant pour table de cuisson affresh® ou produit de nettoyage non abrasif : Frotter le produit sur la souillure avec un essuie-tout ou un linge doux humide. Continuer de frotter jusqu'à ce que la pellicule blanche disparaisse.

Souillure cuite

- Nettoyant pour table de cuisson et grattoir affresh® : Frotter la crème sur la souillure avec un essuie-tout humide. Tenir le grattoir aussi à plat que possible sur la surface et gratter. Répéter pour les taches tenaces. Polir toute la table de cuisson avec la crème et un essuie-tout.

Marques métalliques provenant de l'aluminium et du cuivre

- Nettoyant pour table de cuisson affresh® : Nettoyer dès que la table de cuisson a refroidi. Frotter la crème sur la surface avec un essuie-tout ou un linge doux humide. Continuer de frotter jusqu'à ce que la pellicule blanche disparaisse. Les marques ne disparaîtront pas totalement, mais après plusieurs nettoyages, elles deviendront moins apparentes.

Petites éraflures et abrasions

- Nettoyant pour table de cuisson affresh® : Frotter la crème sur la surface avec un essuie-tout ou un linge doux humide. Continuer de frotter jusqu'à ce que la pellicule blanche disparaisse. Les éraflures et les abrasions n'affectent pas le rendement et après plusieurs nettoyages, elles deviendront moins apparentes.

Ne pas utiliser de laine d'acier, de nettoyant abrasif, d'agent de blanchiment au chlore, de produit antirouille ou d'ammoniaque car ces produits peuvent endommager la l'appareil.

DÉPANNAGE

Essayer d'abord les solutions suggérées ici afin d'éviter le coût d'une intervention de dépannage inutile.

Rien ne fonctionne

- **Un fusible du domicile est-il grillé ou le disjoncteur s'est-il déclenché?**
Remplacer le fusible ou réenclencher le disjoncteur. Si le problème persiste, appeler un électricien.
- **La table de cuisson est-elle correctement raccordée?**
Voir les Instructions d'installation pour plus de renseignements.

La table de cuisson ne fonctionne pas

- **La table de cuisson ne fonctionne-t-elle réellement pas?**
Les éléments rougeoient par intermittence lorsqu'ils sont activés car les éléments de la table de cuisson fonctionnent par intermittence pour atteindre la bonne température. À des réglages faibles, tels que Keep Warm™, les éléments ne rougeoient pas mais maintiennent tout de même la bonne température. Il s'agit là du fonctionnement normal du produit.
- **Sur les modèles avec boutons rotatifs, le bouton de commande est-il correctement réglé?**
Enfoncer le bouton avant de le tourner à un réglage.
- **Sur les modèles avec commandes électroniques tactiles, le verrouillage de la table de cuisson "Control Lock" (verrouillage des commandes) est-il activé?**
Appuyer sur "Control Lock" (verrouillage des commandes) pendant 3 secondes.
- **Durant l'utilisation, un ou plusieurs brûleurs ont-ils cessé de fonctionner?**
Laisser la table de cuisson refroidir pendant 30 minutes puis rallumer le brûleur. Si la table de cuisson émettait déjà un signal sonore au moment où le brûleur a cessé de fonctionner, voir "La table de cuisson émet un signal sonore" dans cette section.

Chaleur excessive autour des ustensiles de cuisson sur la table de cuisson

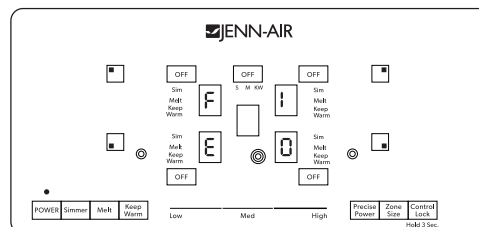
- **L'ustensile de cuisson est-il de dimension appropriée?**
Utiliser un ustensile de cuisson à peu près de la même dimension que la surface, la zone ou l'élément de cuisson. L'ustensile de cuisson ne doit pas dépasser de plus de ½" (1,3 cm) hors de la zone de cuisson.
- **Les surfaces de la table de cuisson deviennent-elles chaudes?**
NE PAS OUBLIER : Lorsque la table de cuisson est en marche, toute la surface de la table de cuisson peut devenir chaude.

La table de cuisson émet un signal sonore

- **La table de cuisson émet-elle un signal sonore toutes les 15 secondes?**
Si l'on appuie sur une touche pendant plus de 15 secondes, la table de cuisson commence à émettre un signal sonore. Retirer tout objet laissé sur la zone du module de commande ou essuyer les éventuelles saletés sur la surface du tableau de commande. Si la table de cuisson émet un signal sonore pendant plus de 15 minutes, le tableau de commande se verrouille et le code F1E0 code apparaît sur l'affichage. Voir "La table de cuisson affiche le code F1E0" dans cette section.

Le code F1E0 s'affiche sur la table de cuisson

- **Le table de cuisson est-elle verrouillée et le code F1E0 s'affiche-t-il dessus?**
Le code F1E0 s'affiche sur la table de cuisson, indiquant ainsi qu'une ou plusieurs touches sont maintenues enfoncées. Suivre les étapes ci-dessous.



Code F1E0

1. S'assurer que les commandes de la table de cuisson sont sur OFF (arrêt).
2. Nettoyer à fond le tableau de commande tactile de la table de cuisson. Voir la section "Nettoyage général".
3. Déconnecter la source de courant électrique ou débrancher la table de cuisson.
4. Au bout d'une minute, reconnecter la source de courant électrique ou brancher la table de cuisson.
5. Si au bout d'une (1) minute, le code F1E0 s'affiche de nouveau sur la table de cuisson, faire un appel de service.

Les résultats de cuisson ne sont pas les résultats prévus

- **Utilise-t-on un ustensile de cuisson approprié?**
Voir la section "Ustensiles de cuisson".
- **La commande de la table de cuisson est-elle réglée au niveau adéquat de chaleur?**
Voir la section "Commandes de la table de cuisson" correspondant à votre modèle.
- **La table de cuisson est-il d'aplomb?**
Niveler la table de cuisson. Voir les instructions d'installation.
- **La cuisson des aliments semble plus longue que d'habitude à un niveau de puissance donné ou certains niveaux de puissance ne fonctionnent pas aussi bien que d'habitude.**
La table de cuisson régule la température des composants internes et réduit automatiquement le niveau de puissance de tous les éléments en cours d'utilisation sans aucun signal visuel ou sonore. Laisser la table de cuisson refroidir pendant 30 minutes pour retrouver une performance de cuisson normale. Voir la section "Commandes de la table de cuisson" correspondant à votre modèle. Il est normal que l'élément fonctionne par intermittence à tous les niveaux de puissance.

L'élément de la table de cuisson est tiède mais ne rougeie pas

- **Le bouton de commande est-il réglé à Simmer (mijotage), Melt (faire fondre) ou à un réglage faible?**
Si le bouton de commande est réglé à Simmer (mijotage), Melt (faire fondre) ou à un réglage faible, l'élément rougeie uniquement pendant quelques secondes à intervalles espacés.
- **Utilise-t-on l'élément Keep Warm™?**
L'élément Keep Warm™ ne rougeie pas. Voir la section "Keep Warm™" dans la section "Fonctions de cuisson automatiques" correspondant à votre modèle.

Les boutons de la table de cuisson dégagent de la vapeur

- **Première(s) utilisation(s) de la table de cuisson?**
Au cours des premières utilisations de la table de cuisson, il est possible que de la vapeur s'échappe de l'espace situé autour des boutons de la table de cuisson. Ceci est normal et devrait disparaître au fur et à mesure de l'utilisation de l'appareil.

L'élément de la table de cuisson fonctionne par intermittence

- Pour tous les niveaux de puissance, il est normal que l'élément fonctionne par intermittence. Les éléments fonctionnent en alternance pour éviter toute surchauffe.

ASSISTANCE OU SERVICE

Avant de faire un appel pour assistance ou service, veuillez vérifier la section "Dépannage". Cette vérification peut vous faire économiser le coût d'une visite de service. Si vous avez encore besoin d'aide, suivre les instructions ci-dessous.

Lors d'un appel, veuillez connaître la date d'achat et les numéros au complet du modèle et de la série de votre appareil. Ces renseignements nous aideront à mieux répondre à votre demande.

Accessoires

Nettoyant pour table de cuisson affresh®

(modèles avec vitrocéramique)

Commander la pièce numéro W10355051B

Protecteur de table de cuisson

(modèles avec vitrocéramique)

Commander la pièce numéro 31463

Grattoir pour table de cuisson

(modèles avec vitrocéramique)

Commander la pièce numéro WA906B

Nettoyant et poli pour acier inoxydable affresh®

(modèles en acier inoxydable)

Commander la pièce numéro W10355016B

Lingettes nettoyantes pour acier inoxydable affresh®

(modèles en acier inoxydable)

Commander la pièce numéro W10355049B

Au Canada

Si le problème n'est pas attribuable à l'une des raisons indiquées dans la section "Dépannage"...

Téléphonez au marchand qui vous a vendu l'appareil ou téléphonez à Jenn-Air en composant le **1-800-807-6777** pour localiser une compagnie de service autorisée. Lors d'un appel, veuillez connaître la date d'achat et les numéros de modèle et de série complets de votre appareil. Assurez-vous de conserver la preuve d'achat pour vérifier les conditions de la garantie.

Si le marchand ou la compagnie de service ne peut pas résoudre votre problème, écrivez à :

Jenn-Air Brand Home Appliances
Centre pour l'eXpérience avec la clientèle
200 - 6750 Century Ave.
Mississauga, ON L5N 0B7

Adresse Internet : www.jennair.ca

ou composez le **1-800-807-6777**.

REMARQUE : Pour toute correspondance ou appel au sujet d'un problème de service, veuillez inclure les renseignements suivants :

1. Vos nom, adresse et numéro de téléphone durant la journée.
2. Numéros de modèle et de série de l'appareil.
3. Nom et adresse de votre marchand ou du service d'entretien.
4. Une description claire du problème existant.
5. Preuve d'achat (reçu de vente).

Les guides de l'utilisateur, manuels d'entretien et informations sur les pièces sont disponibles auprès de Jenn-Air Brand Home Appliances, Centre pour l'eXpérience avec la clientèle.

GARANTIE DES APPAREILS DE CUISSON JENN-AIR®

GARANTIE LIMITÉE

Pendant un an à compter de la date d'achat, lorsque ce gros appareil ménager est utilisé et entretenu conformément aux instructions jointes à ou fournies avec le produit, Jenn-Air, marque de Whirlpool Corporation ou Whirlpool Canada LP (ci-après désignées "Jenn-Air") paiera pour les pièces spécifiées par l'usine et la main-d'œuvre pour corriger les vices de matériaux ou de fabrication. Le service doit être fourni par une compagnie de service désignée par Jenn-Air. Cette garantie limitée est valide uniquement aux États-Unis ou au Canada et s'applique exclusivement lorsque l'appareil est utilisé dans le pays où il a été acheté. À l'extérieur du Canada et des 50 États des États-Unis, cette garantie limitée ne s'applique pas. Une preuve de la date d'achat original est exigée pour obtenir un service dans le cadre de la présente garantie limitée.

GARANTIE LIMITÉE DE LA DEUXIÈME À LA CINQUIÈME ANNÉE INCLUSIVEMENT SUR CERTAINS COMPOSANTS

De la deuxième à la cinquième année inclusivement à compter de la date d'achat, lorsque cet appareil ménager est utilisé et entretenu conformément aux instructions jointes à ou fournies avec le produit, Jenn-Air paiera pour les pièces spécifiées par l'usine pour les composants suivants (si applicables au produit), en cas de vices de matériaux ou de fabrication :

- | | |
|---|---------------------------|
| ■ Élément électrique | ■ Commandes électroniques |
| ■ Clavier tactile et microprocesseur | ■ Tube magnétron |
| ■ Table de cuisson en vitrocéramique : en cas de bris d'origine thermique | ■ Brûleurs à gaz scellés |

ARTICLES EXCLUS DE LA GARANTIE

La présente garantie limitée ne couvre pas :

1. Les visites de service pour rectifier l'installation du gros appareil ménager, montrer à l'utilisateur comment utiliser l'appareil, remplacer ou réparer des fusibles ou rectifier le câblage ou la plomberie du domicile.
2. Les visites de service pour réparer ou remplacer les ampoules électriques de l'appareil, les filtres à air ou les filtres à eau. Les pièces consommables ne sont pas couvertes par la garantie.
3. Les réparations lorsque le gros appareil ménager est utilisé à des fins autres que l'usage unifamilial normal ou lorsque les instructions d'installation et/ou les instructions de l'opérateur ou de l'utilisateur fournies ne sont pas respectées.
4. Les dommages imputables à : accident, modification, usage impropre ou abusif, incendie, inondation, actes de Dieu, installation fautive ou installation non conforme aux codes d'électricité ou de plomberie, ou l'utilisation de pièces consommables ou de produits nettoyants non approuvés par Jenn-Air.
5. Les défauts apparents, notamment les éraflures, les bosses, fissures ou tout autre dommage au fini du gros appareil ménager, à moins que ces dommages soient dus à des vices de matériaux ou de fabrication et soient signalés à Jenn-Air dans les 30 jours suivant la date d'achat.
6. Toute perte d'aliments due à une défaillance du réfrigérateur ou du congélateur.
7. Les coûts associés au transport du gros appareil ménager du domicile pour réparation. Ce gros appareil ménager est conçu pour être réparé à domicile et seul le service à domicile est couvert par la présente garantie.
8. Les réparations aux pièces ou systèmes résultant d'une modification non autorisée faite à l'appareil.
9. Les frais de transport pour le service d'un produit si votre gros appareil est situé dans une région éloignée où un service d'entretien Jenn-Air autorisé n'est pas disponible.
10. La dépose et la réinstallation de votre gros appareil si celui-ci est installé dans un endroit inaccessible ou n'est pas installé conformément aux instructions d'installation fournies.
11. Les gros appareils ménagers dont les numéros de série et de modèle originaux ont été enlevés, modifiés ou qui ne peuvent pas être facilement identifiés. La présente garantie est nulle si le numéro de série d'usine a été modifié ou enlevé du gros appareil ménager.

Le coût d'une réparation ou d'un remplacement dans le cadre de ces circonstances exclues est à la charge du client.

CLAUDE D'EXONÉRATION DE RESPONSABILITÉ AU TITRE DES GARANTIES IMPLICITES; LIMITATION DES RECOURS

LE SEUL ET EXCLUSIF RECOURS DU CLIENT DANS LE CADRE DE LA PRÉSENTE GARANTIE LIMITÉE CONSISTE EN LA RÉPARATION PRÉVUE CI-DESSUS. LES GARANTIES IMPLICITES, Y COMPRIS LES GARANTIES APPLICABLES DE QUALITÉ MARCHANDE ET D'APTITUDE À UN USAGE PARTICULIER, SONT LIMITÉES À UN AN OU À LA PLUS COURTE PÉRIODE AUTORISÉE PAR LA LOI. JENN-AIR N'ASSUME AUCUNE RESPONSABILITÉ POUR LES DOMMAGES FORTUITS OU INDIRECTS. CERTAINES JURIDICTIONS NE PERMETTENT PAS L'EXCLUSION OU LA LIMITATION DES DOMMAGES FORTUITS OU INDIRECTS, OU LES LIMITATIONS DE LA DURÉE DES GARANTIES IMPLICITES DE QUALITÉ MARCHANDE OU D'APTITUDE À UN USAGE PARTICULIER, DE SORTE QUE CES EXCLUSIONS OU LIMITATIONS PEUVENT NE PAS S'APPLIQUER DANS VOTRE CAS. CETTE GARANTIE VOUS CONFÈRE DES DROITS JURIDIQUES SPÉCIFIQUES ET VOUS POUVEZ ÉGALEMENT JOUIR D'AUTRES DROITS QUI PEUVENT VARIER D'UNE JURIDICTION À UNE AUTRE.

Si vous résidez à l'extérieur du Canada et des 50 États des États-Unis, contactez votre marchand Jenn-Air autorisé pour déterminer si une autre garantie s'applique.

Si vous avez besoin de service, voir d'abord la section "Dépannage" du Guide d'utilisation et d'entretien. Après avoir vérifié la section "Dépannage", de l'aide supplémentaire peut être trouvée en vérifiant la section "Assistance ou service" ou en appelant Jenn-Air. Aux É.-U., composer le **1-800-536-6247**. Au Canada, composer le **1-800-807-6777**.

6/09

Conservez ce manuel et votre reçu de vente ensemble pour référence ultérieure. Pour le service sous garantie, vous devez présenter un document prouvant la date d'achat ou d'installation.

Inscrivez les renseignements suivants au sujet de votre gros appareil ménager pour mieux vous aider à obtenir assistance ou service en cas de besoin. Vous devrez connaître le numéro de modèle et le numéro de série au complet. Vous trouverez ces renseignements sur la plaque signalétique située sur le produit.

Nom du marchand _____

Adresse _____

Numéro de téléphone _____

Numéro de modèle _____

Numéro de série _____

Date d'achat _____