




30" Dual-Fuel Slide-In Range

JDS1450ML

Available Finishes/Colours

 JDS1450ML
Stainless Steel

Revel in the power and flexibility of a JennAir® dual-fuel slide-in range. Stir-fry over a Dual-Stacked PowerBurner with an output of up to 19,000 BTUs, cook multiple dishes on multiple racks in the 6.2 cu. ft. oven cavity, then slow roast or proof bread in the separate Baking Drawer.

Top Features

Dual-Stacked PowerBurner

True Convection

Emotive Controls

Manuals & Literature:



[Dimension Guide](#)



[Owner Manual](#)



[Warranty Information](#)

Dimensions

Depth 28 5/8

Height 36

Width 29 7/8

Configuration and Overview

Range Type Slide-in

Compatibility

Connectivity No

Works With No

Features

Hot Surface Indicator Light Yes

Automatic Convection Conversion Temperature Adjust Yes

Heating Element On Indicator Light Yes

Power On Indicator Light Yes

Features

Total Gas BTUs - Cooktop 56200

Exterior

Door Type Metal & Glass

Range Drawer Type Baking Drawer

Oven Window Size Large

Handle Color Stainless Steel

Handle Material Metal

Handle Type Reach-Through Handle

Controls

Display Color White

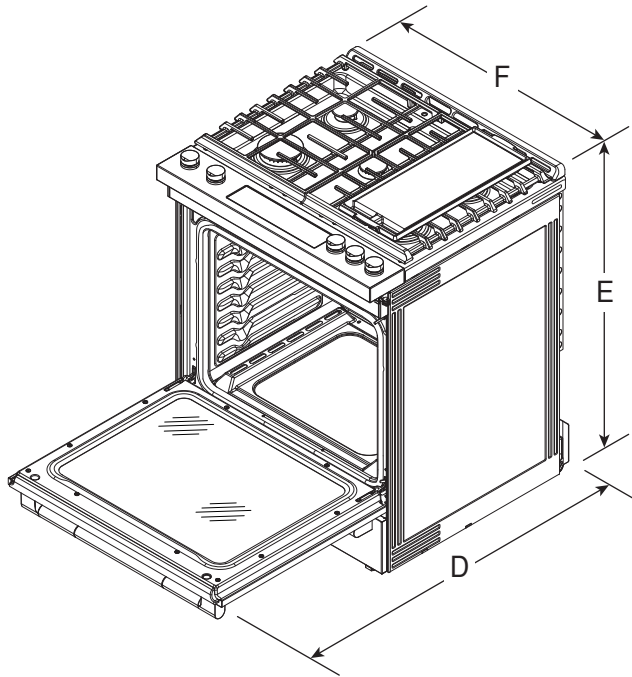
Electronic Display Type PMVA LCD

Cooktop Details

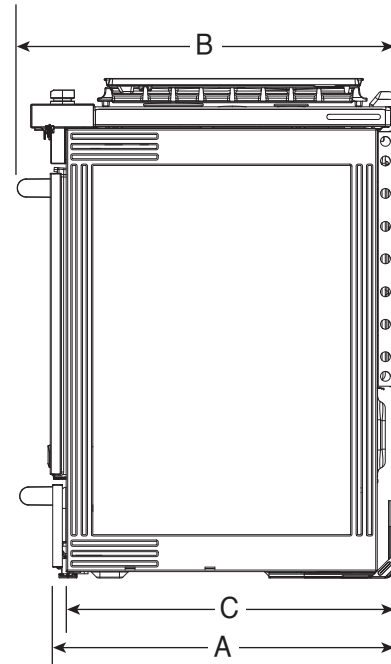
Number of Cooking Element-Burners 5

JENNAIR® DUAL FUEL RANGE PRODUCT

APPLIANCE:		30" DUAL FUEL RANGE	
	Units	in	cm
A	Depth Closed Excluding Handle	27 ¹³ / ₁₆	70.6
B	Depth Closed Including Handle	28 ⁷ / ₈	73.4
C	Depth Excluding Doors	27 ¹³ / ₁₆	70.6
D	Depth with Door Open 90°	48 ¹³ / ₁₆	124
E	Maximum Height	38 ⁷ / ₁₆	97.7
E	Minimum Height	37 ⁷ / ₁₆	95.1
F	Width	29 ⁷ / ₈	75.9



ANGLED VIEW



SIDE VIEW

IMPORTANT: Dimensional specifications are provided for planning purposes only. Do not make any cutouts based on this information. Refer to the Owner's Manual before selecting cabinetry, verifying electrical/gas connections, making cutouts or beginning installation.

Location Requirements

IMPORTANT: Observe all governing codes and ordinances. Do not obstruct flow of combustion and ventilation air.

- It is the installer's responsibility to comply with installation clearances specified on the model/serial/rating plate. The model/serial/rating plate is located behind the oven door on the top right-hand side of the oven frame.
- The range should be located for convenient use in the kitchen.
- Recessed installations must provide complete enclosure of the sides and rear of the range.
- All openings in the wall or floor where range is to be installed must be sealed.
- Cabinet opening dimensions that are shown must be used. Given dimensions are minimum clearances.
- The anti-tip bracket must be installed. To install the anti-tip bracket shipped with the range, see "Install Anti-Tip Bracket" section in the Owner's Manual.
- Grounded electrical supply is required. See the appropriate "Electrical Requirements" section in the Owner's Manual.
- Proper gas supply connection must be available. See "Gas Supply Requirements" section in the Owner's Manual.
- Contact a qualified floor covering installer to check that the floor covering can withstand at least 200°F (93°C).
- Use an insulated pad or 1/4" (6.4 mm) plywood under range if installing range over carpeting.

IMPORTANT: To avoid damage to your cabinets, check with your builder or cabinet supplier to make sure that the materials used will not discolor, delaminate or sustain other damage. This oven has been designed in accordance with the requirements of UL and CSA International and complies with the maximum allowable wood cabinet temperatures of 194°F (90°C).

Mobile Home - Additional Installation Requirements

The installation of this range must conform to the Manufactured Home Construction and Safety Standard, Title 24 CFR, Part 3280 (formerly the Federal Standard for Mobile Home Construction and Safety, Title 24, HUD Part 280). When such standard is not applicable, use the Standard for Manufactured Home Installations, ANSI A225.1/NFPA 501A or with local codes.

In Canada, the installation of this range must conform with the current standards CAN/CSA Z240.1 - latest edition, or with local codes.

Mobile Home Installations Require:

- When this range is installed in a mobile home, it must be secured to the floor during transit. Any method of securing the range is adequate as long as it conforms to the standards listed above.
- Four-wire power supply cord or cable must be used in a mobile home installation. The appliance wiring will need to be revised. See "Electrical Connection - U.S.A. Only" section in the Owner's Manual.

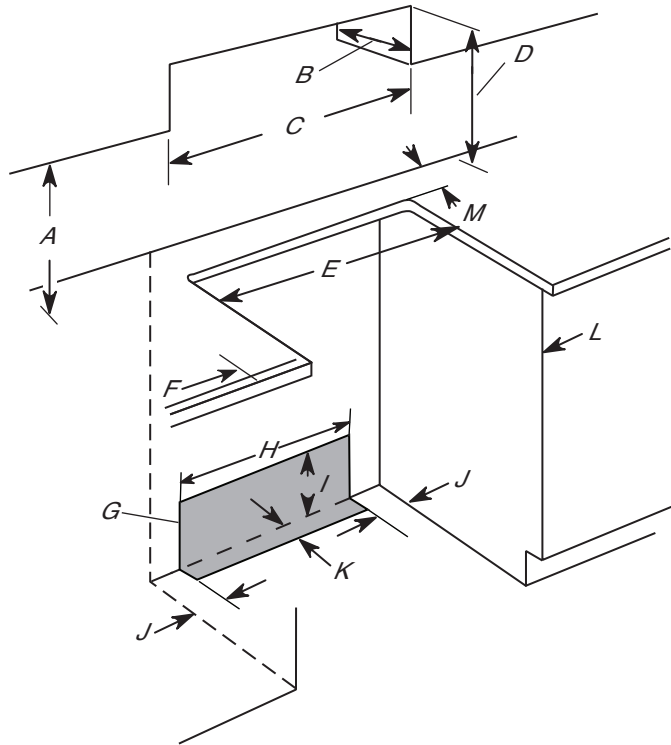
Cabinet Dimensions

Cabinet opening dimensions shown are for 25" (64.0 cm) countertop depth, 24" (61.0 cm) base cabinet depth and 36" (91.4 cm) countertop height.

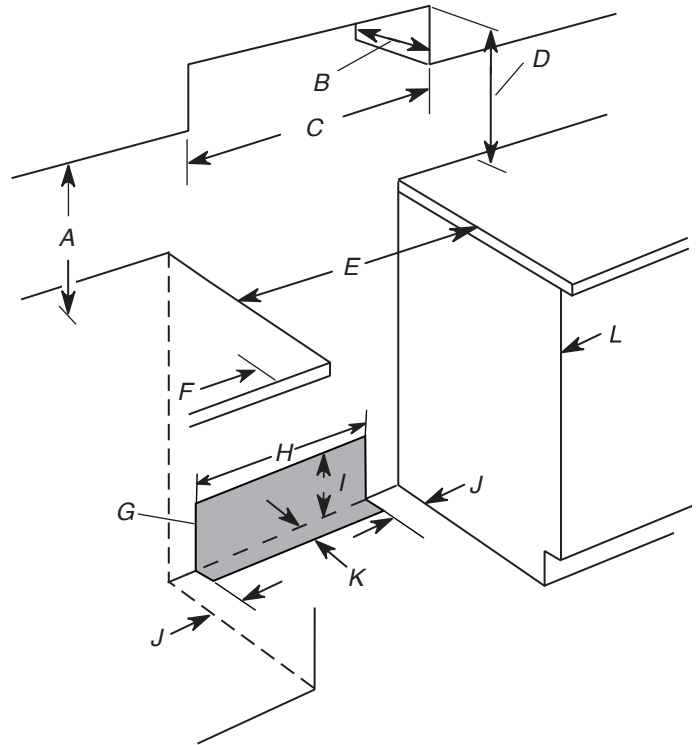
IMPORTANT: If installing a range hood or microwave hood combination above the cooking surface, follow the range hood or microwave hood combination installation instructions for dimensional clearances above the cooktop surface.

NOTE: When installed in a slide-in cutout, the front of oven door may protrude beyond the base cabinet.

Slide-in Cutout



Freestanding Cutout



- A. 18" (45.7 cm) upper side cabinet to countertop
- B. 13" (33 cm) maximum upper cabinet depth
- C. 30" (76.2 cm) minimum opening width
- D. For minimum clearance to top of cooktop, see NOTE*
- E. 30" (76.2 cm) minimum opening width
- F. 5" (12.7 cm) minimum clearance from both sides of range to side wall or other combustible material
- G. The shaded area is recommended for installation of rigid gas pipe and grounded outlet
- H. 13¹/₈" (33.3 cm)
- I. 7¹¹/₁₆" (19.5 cm)
- J. 4¹³/₁₆" (12.2 cm)
- K. 3¹¹/₁₆" (9.4 cm) plus measurement of M
- L. Cabinet door or hinges should not extend into the cutout.
- M. Remaining counter depth should not exceed 2¹/₄" (5.7 cm)


- A. 18" (45.7 cm) upper side cabinet to countertop
- B. 13" (33 cm) maximum upper cabinet depth
- C. 30" (76.2 cm) minimum opening width
- D. For minimum clearance to top of cooktop, see NOTE*
- E. 30" (76.2 cm) minimum opening width
- F. 5" (12.7 cm) minimum clearance from both sides of range to side wall or other combustible material
- G. The shaded area is recommended for installation of rigid gas pipe and grounded outlet
- H. 13¹/₈" (33.3 cm)
- I. 7¹¹/₁₆" (19.5 cm)
- J. 4¹³/₁₆" (12.2 cm)
- K. 3¹¹/₁₆" (9.4 cm)
- L. Cabinet door or hinges should not extend into the cutout

NOTE: 24" (61.0 cm) minimum when bottom of wood or metal cabinet is shielded by not less than 1/4" (6.4 mm) flame retardant millboard covered with not less than No. 28 MSG sheet steel, 0.015" (0.4 mm) stainless steel, 0.024" (0.6 mm) aluminum or 0.020" (0.5 mm) copper.

30" (76.2 cm) minimum clearance between the top of the cooking platform and the bottom of an uncovered wood or metal cabinet.

Electrical Requirements - U.S.A. Only

⚠ WARNING



Electrical Shock Hazard

Electrically ground range.

Failure to do so can result in death, fire, or electrical shock.

If codes permit and a separate ground wire is used, it is recommended that a qualified electrical installer determine that the ground path and wire gauge are in accordance with local codes.

Do not use an extension cord.

Be sure that the electrical connection and wire size are adequate and in conformance with the National Electrical Code, ANSI/ NFPA 70-latest edition and all local codes and ordinances.

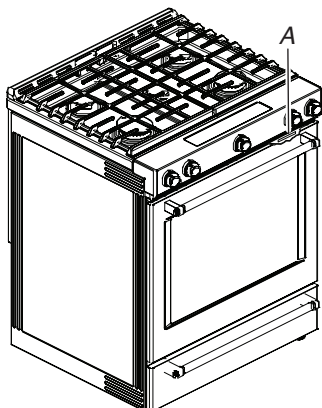
A copy of the above code standards can be obtained from:
 National Fire Protection Association
 1 Batterymarch Park
 Quincy, MA 02169-7471

WARNING: Improper connection of the equipment-grounding conductor can result in a risk of electric shock. Check with a qualified electrician or service technician if you are in doubt as to whether the appliance is properly grounded. Do not modify the power supply cord plug. If it will not fit the outlet, have a proper outlet installed by a qualified electrician.

Electrical Connection

To properly install your range, you must determine the type of electrical connection you will be using and follow the instructions provided for it here.

- Range must be connected to the proper electrical voltage and frequency as specified on the model/serial/rating plate. The model/serial/rating plate is located behind the oven door on the top right-hand side of the oven frame.

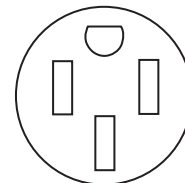


A. Model/serial/rating plate (located behind the oven door on the top right-hand side of the oven frame)

Range Rating*		Specified Rating of Power Supply Cord Kit and Circuit Protection
120/240 V	120/208 V	Ampere
8.8-16.5 kW	7.8-12.5 kW	40 or 50**
16.6-22.5 kW	12.6-18.5 kW	50

*The NEC calculated load is less than the total connected load listed on the model/serial/rating plate.

**If connecting to a 50 A circuit, use a 50 A rated cord with kit. For 50 A rated cord kits, use kits that specify use with a nominal 1 3/8" (3.5 cm) diameter connection opening.




A circuit breaker is recommended.

- The range can be connected directly to the circuit breaker box (or fused disconnect) through flexible or nonmetallic sheathed, copper or aluminum cable. See the "Electrical Connection - U.S.A. Only" section in the Owner's Manual.
- Allow at least 6 ft (1.8 m) of slack in the line so that the range can be moved if servicing is ever necessary.
- A UL listed conduit connector must be provided at each end of the power supply cable (at the range and at the junction box).
- Wire sizes and connections must conform with the rating of the range.
- This range is equipped with a CSA International Certified Power Cord intended to be plugged into a standard 14-50R wall receptacle. Be sure the wall receptacle is within reach of range's final location.
- Do not use an extension cord

Electrical Requirements - Canada Only

⚠ WARNING



Electrical Shock Hazard

Electrically ground range.

Failure to do so can result in death, fire, or electrical shock.

If codes permit and a separate ground wire is used, it is recommended that a qualified electrical installer determine that the ground path and wire gauge are in accordance with local codes.

Be sure that the electrical connection and wire size are adequate and in conformance with CSA Standard C22.1, Canadian Electrical Code, Part 1 - latest edition, and all local codes and ordinances.

A copy of the above code standards can be obtained from:
 Canadian Standards Association
 178 Rexdale Blvd.
 Toronto, ON M9W 1R3 CANADA

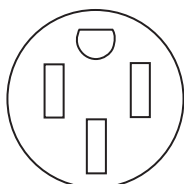
- Check with a qualified electrical installer if you are not sure the range is properly grounded.

Range Rating*		Specified Rating of Power Supply Cord Kit and Circuit Protection
120/240 V	120/208 V	Ampere
8.8-16.5 kW	7.8-12.5 kW	40 or 50**
16.6-22.5 kW	12.6-18.5 kW	50

*The NEC calculated load is less than the total connected load listed on the model/serial/rating plate.

**If connecting to a 50 A circuit, use a 50 A rated cord with kit. For 50 A rated cord kits, use kits that specify use with a nominal 1 3/8" (3.5 cm) diameter connection opening.


- A circuit breaker is recommended.
- This range is equipped with a CSA International Certified Power Cord intended to be plugged into a standard 14-50R wall receptacle. Be sure the wall receptacle is within reach of range's final location.



- Do not use an extension cord.

Gas Supply Requirements

⚠ WARNING



Explosion Hazard

Use a new CSA International approved gas supply line.

Install a shut-off valve.

Securely tighten all gas connections.

If connected to propane, have a qualified person make sure gas pressure does not exceed 14" (36 cm) water column.

Examples of a qualified person include:
licensed heating personnel,
authorized gas company personnel, and
authorized service personnel.

Failure to do so can result in death, explosion, or fire.

Observe all governing codes and ordinances.

IMPORTANT: This installation must conform with all local codes and ordinances. In the absence of local codes, installation must conform with the National Fuel Gas Code ANSI Z223.1/NFPA 54 or, in Canada, the Natural Gas and Propane Installation Code, CSA B149.1 - latest edition.

IMPORTANT: Leak testing of the range must be conducted according to the manufacturer's instructions. See the "Make Gas Connection" section in the Owner's Manual for leak testing instructions.

Type of Gas

Natural Gas:

- This range is factory set for use with Natural gas. If converting to propane gas, see "Gas Conversions" section in the Owner's Manual. The model/serial rating plate located behind the control panel has information on the types of gas that can be used. If the types of gas listed do not include the type of gas available, check with the local gas supplier.

Propane Gas Conversion:

Conversion must be done by a qualified service technician.

No attempt shall be made to convert the appliance from the gas specified on the model/serial rating plate for use with a different gas without consulting the serving gas supplier. See "Gas Conversions" section in the Owner's Manual.

Gas Supply Line

- Provide a gas supply line of 3/4" (1.9 cm) rigid pipe to the range location. A smaller size pipe on longer runs may result in insufficient gas supply. With propane gas, piping or tubing size can be 1/2" (1.3 cm) minimum. Usually, propane gas suppliers determine the size and materials used in the system.

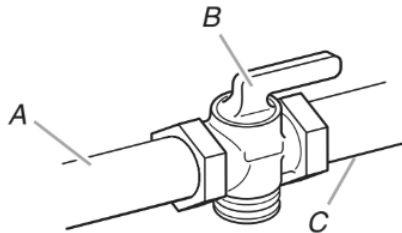
NOTE: Pipe-joint compounds that resist the action used. Do not use TEFLON[®]† tape.

Flexible Metal Appliance Connector:

- If local codes permit, a new CSA design-certified, 4 to 5 ft (122 to 152.4 cm) long, 1/2" (1.3 cm) or 3/4" (1.9 cm) I.D., flexible metal appliance connector may be used for connecting range to the gas supply line.



- A 1/2" (1.3 cm) male pipe thread is needed for connection to the female pipe threads of the inlet to the appliance pressure regulator.
- Do not kink or damage the flexible metal tubing when moving the range.
- Must include a shut-off valve: Install a manual gas line shut-off valve in an easily accessible location. Do not block access to shut-off valve. The valve is for turning on or shutting off gas to the range.



- A. Gas supply line
- B. Shut-off valve "open" position
- C. To range

Gas Pressure Regulator

The gas pressure regulator supplied with this range must be used. The inlet pressure to the regulator should be as follows for proper operation:

Natural Gas:

Minimum pressure: 5" (12.7 cm) WCP
 Maximum pressure: 14" (35.6 cm) WCP

Propane Gas:

Minimum pressure: 11" (27.9 cm) WCP
 Maximum pressure: 14" (35.6 cm) WCP

Contact local gas supplier if you are not sure about the inlet pressure.

Burner Input Requirements

Input ratings shown on the model/serial/rating plate are for elevations up to 2,000 ft (609.6 m).

For elevations above 2,000 ft (609.6 m), ratings are reduced at a rate of 4% for each 1,000 ft (304.8 m) above sea level (not applicable for Canada).

Gas Supply Pressure Testing

Gas supply pressure for testing regulator must be at least 1" (2.5 cm) water column pressure above the manifold pressure shown on the model/serial rating plate.

Line pressure testing above 1/2 psi (3.5 kPa) gauge [14" (35.6 cm) WCP]

The range and its individual shutoff valve must be disconnected from the gas supply piping system during any pressure testing of that system at test pressures in excess of 1/2 psi (3.5 kPa).

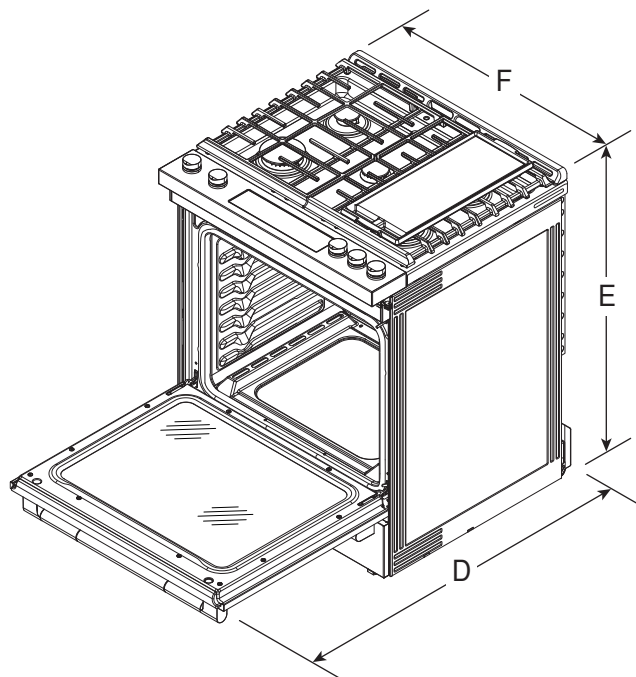
Line pressure testing at 1/2 psi (3.5 kPa) gauge [14" (35.6 cm) WCP or lower]

The range must be isolated from the gas supply piping system by closing its individual manual shutoff valve during any pressure testing of the gas supply piping system at test pressures equal to or less than 1/2 psi (3.5 kPa).

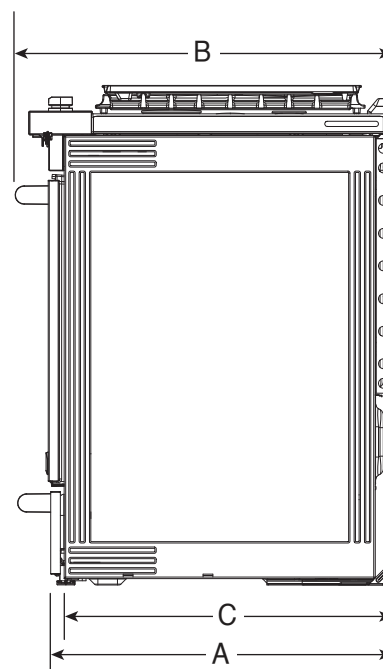
†TEFLON[®] is a registered trademark of Chemours.

CUISINIÈRES BICARBURANT JENNAIR®

APPAREIL :		CUISINIÈRES BICARBURANT DE 30 PO	
	Unités	po	cm
A	Profondeur, fermé sans poignée	$27 \frac{13}{16}$	70,6
B	Profondeur, fermé avec poignée	$28 \frac{7}{8}$	73,4
C	Profondeur sans les portes	$27 \frac{13}{16}$	70,6
D	Profondeur avec porte ouverte à 90°	$48 \frac{13}{16}$	124
E	Hauteur maximum	$38 \frac{7}{16}$	97,7
E	Hauteur minimum	$37 \frac{7}{16}$	95,1
F	Largeur	$29 \frac{7}{8}$	75,9



VUE EN ANGLE



VUE LATÉRALE

IMPORTANT : Les spécifications dimensionnelles sont fournies uniquement à des fins de planification.

Ne faire aucune découpe sur la base de cette information. Se référer au manuel de l'utilisateur avant de choisir une armoire, de vérifier les connexions électriques/au gaz, d'effectuer des coupes ou de commencer l'installation.

Exigences d'emplacement

IMPORTANT : Observer les dispositions de tous les codes et règlements en vigueur. Ne pas obstruer le flux de combustion et de ventilation.

- C'est à l'installateur qu'incombe la responsabilité de respecter les distances de séparation spécifiées sur la plaque signalétique. La plaque signalétique se trouve derrière la porte du four, dans le coin supérieur droit du châssis.
- La cuisinière doit être installée à un endroit pratique dans la cuisine.
- Dans le cas d'une cuisinière encastrée, l'enceinte doit recouvrir complètement les côtés et l'arrière de la cuisinière.
- Toutes les ouvertures dans le mur ou le plancher de l'emplacement d'installation de la cuisinière doivent être scellées.
- Les dimensions d'ouverture de l'armoire indiquées doivent être utilisées. Ces dimensions constituent les valeurs minimums des dégagements.
- La bride antibasculement doit être installée. Pour l'installation de la bride antibasculement fournie avec la cuisinière, voir la section « Installation de la bride antibasculement » du manuel de l'utilisateur.
- Une source d'électricité avec liaison à la terre est nécessaire. Voir la section « Spécifications électriques » correspondante du manuel de l'utilisateur.
- Un raccordement adéquat à l'alimentation en gaz doit être accessible. Consulter la section « Spécifications de l'alimentation en gaz » du manuel de l'utilisateur.
- Demander à un installateur de revêtement de sol qualifié de vérifier que le revêtement de plancher peut supporter une température de 200 °F (93 °C).
- Dans le cas de l'installation de la cuisinière sur une moquette, placer sous la cuisinière un tapis isolant ou une plaque de contreplaqué de 1/4 po (6,4 mm).

IMPORTANT : Pour éviter d'endommager les armoires, consulter le constructeur de la maison ou le fabricant des armoires pour déterminer si les matériaux utilisés peuvent subir un changement de couleur, une déstratification ou d'autres dommages. Ce four a été conçu conformément aux exigences des normes UL et CSA International et respecte les températures maximales permises de 194 °F (90 °C) pour les armoires en bois.

Résidence mobile – Spécifications additionnelles à respecter lors de l'installation L'installation de cette cuisinière doit s'effectuer conformément à la norme Manufactured Home Construction Safety Standards, Title 24 CFR, Part 3280 (anciennement Federal Standard for Mobile Home Construction and Safety, title 24, HUD, Part 280). Lorsque cette norme n'est pas applicable, utiliser la norme Standard for Manufactured Home Installations, ANSI A225.1/NFPA 501A ou les dispositions des codes locaux.

Au Canada, l'installation de cette cuisinière doit satisfaire aux stipulations de la version la plus récente de la norme CAN/CSA Z240.1 ou des codes locaux en vigueur.

Autres critères à respecter pour une installation en résidence mobile :

- Dans le cas de l'installation de cette cuisinière dans une résidence mobile, la cuisinière doit être fixée au plancher durant tout déplacement du véhicule. Toute méthode pour fixer de façon sécuritaire la cuisinière est adéquate dès qu'elle respecte les normes mentionnées plus haut.
- Un cordon ou un câble d'alimentation à 4 fils doit être utilisé lors d'une installation dans une maison mobile. Le câblage de l'appareil devra être révisé. Voir la section « Raccordement électrique – É.-U. seulement » du manuel de l'utilisateur.

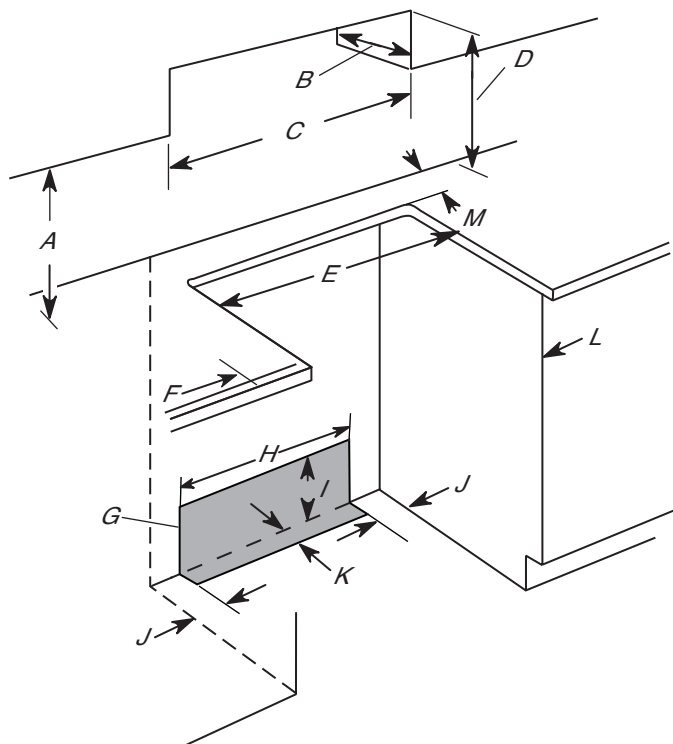
Dimensions de l'armoire

Les dimensions de l'ouverture de l'armoire présentée sont : profondeur de comptoir – 25 po (64,0 cm), profondeur de l'armoire – 24 po (61,0 cm) et hauteur du comptoir – 36 po (91,4 cm).

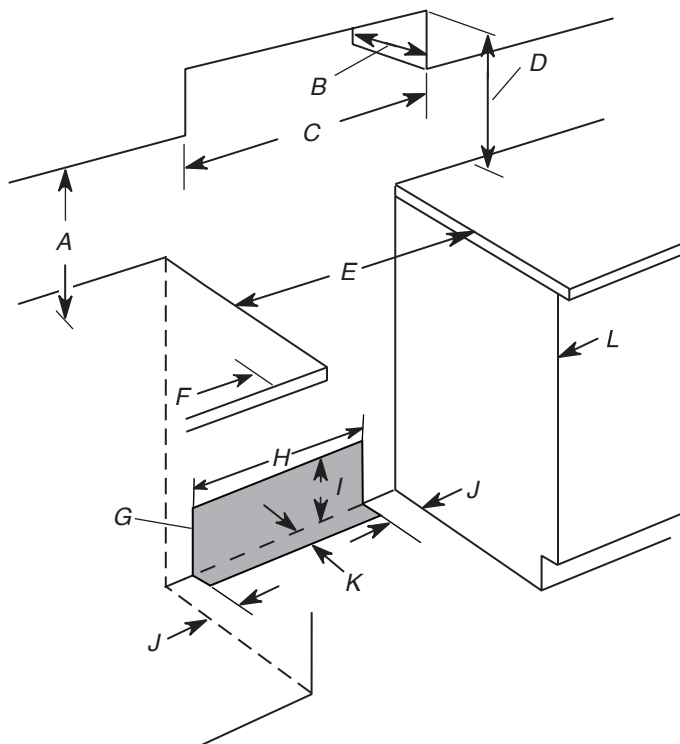
IMPORTANT : Lors de l'installation d'une hotte ou d'un ensemble hotte/four à micro-ondes au-dessus de la surface de cuisson, suivre les instructions fournies avec la hotte ou l'ensemble hotte/micro-ondes concernant les dimensions de dégagement à respecter au-dessus de la surface de la table de cuisson.

REMARQUE : Lorsqu'une cuisinière encastrée est glissée dans une ouverture prévue à cet effet, l'avant de la porte du four peut dépasser de l'armoire.

Découpe pour cuisinière encastrée



Découpe pour cuisinière autoportante



- A. 18 po (45,7 cm) entre l'armoire latérale supérieure et le comptoir
- B. 13 po (33 cm) maximum de profondeur de l'armoire supérieure
- C. 30 po (76,2 cm) minimum de largeur d'ouverture
- D. Pour le dégagement minimum vers la partie supérieure de la table de cuisson, voir la REMARQUE*
- E. 30 po (76,2 cm) minimum de largeur d'ouverture
- F. 5 po (12,7 cm) minimum de dégagement entre les deux côtés de la cuisinière et les parois latérales ou d'autres matériaux combustibles
- G. La zone ombragée est recommandée pour l'installation de tuyau de gaz rigide et de la prise avec mise à la terre
- H. 13 1/8 po (33,3 cm)
- I. 7 11/16 po (19,5 cm)
- J. 4 13/16 po (12,2 cm)
- K. 3 11/16 po (9,4 cm) plus la mesure M
- L. La porte ou les charnières de l'armoire ne doivent pas dépasser à l'intérieur de l'ouverture.
- M. La profondeur restante du comptoir ne doit pas dépasser 2 1/4 po (5,7 cm)

- A. 18 po (45,7 cm) entre l'armoire latérale supérieure et le comptoir
- B. 13 po (33 cm) maximum de profondeur de l'armoire supérieure
- C. 30 po (76,2 cm) minimum de largeur d'ouverture
- D. Pour le dégagement minimum vers la partie supérieure de la table de cuisson, voir la REMARQUE*
- E. 30 po (76,2 cm) minimum de largeur d'ouverture
- F. 5 po (12,7 cm) minimum de dégagement entre les deux côtés de la cuisinière et les parois latérales ou d'autres matériaux combustibles
- G. La zone ombragée est recommandée pour l'installation de tuyau de gaz rigide et de la prise avec mise à la terre
- H. 13 1/8 po (33,3 cm)
- I. 7 11/16 po (19,5 cm)
- J. 4 13/16 po (12,2 cm)
- K. 3 11/16 po (9,4 cm)
- L. La porte ou les charnières de l'armoire ne doivent pas dépasser à l'intérieur de l'ouverture

REMARQUE : Un minimum de 24 po (61,0 cm) est nécessaire lorsque la base d'une armoire en bois ou en métal est protégée par un carton à l'enrouleuse ignifuge de 1/4 po (6,4 mm) d'épaisseur ou plus couvert par une feuille de métal d'au moins no 28 MSG, d'acier inoxydable de 0,015 po (0,4 mm), d'aluminium de 0,024 po (0,6 mm) ou de cuivre de 0,020 po (0,5 mm).

Un espace d'au moins 30 po (76,2 cm) est nécessaire entre le haut de la table de cuisson et le bas d'une armoire en bois ou en métal sans protection.

Spécifications électriques – É.-U. seulement

⚠ AVERTISSEMENT



Risque de choc électrique

Relier la cuisinière à la terre.

Le non-respect de cette instruction peut causer un décès, un incendie ou un choc électrique.

Si les codes le permettent et qu'un fil de mise à la terre séparé est utilisé, nous recommandons qu'un électricien qualifié détermine si le trajet du fil et son calibre respectent les codes locaux. Ne pas utiliser de câble de rallonge.

S'assurer que le raccordement électrique est adéquat et conforme au code national de l'électricité, ANSI/NFPA 70 – dernière édition, et à tous les codes et règlements locaux en vigueur. Pour obtenir un exemplaire des normes des codes ci-dessus, contacter :

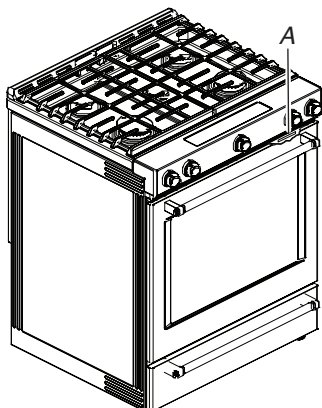
National Fire Protection Association
1 Batterymarch Park
Quincy, MA 02169-7471

AVERTISSEMENT : Un raccordement inapproprié du conducteur de mise à la terre de l'équipement peut causer un risque de décharge électrique. Vérifier avec un électricien ou un technicien de dépannage qualifié en cas de doute quant à la qualité de la liaison à la terre de l'appareil. Ne pas modifier la prise du cordon d'alimentation. Si elle ne correspond pas à la prise de sortie, faire installer une fiche appropriée par un électricien qualifié.

Raccordement électrique

Pour installer la cuisinière de façon appropriée, il faut établir le type de raccords électriques qui sera utilisé et suivre les instructions de ce document.

- La cuisinière doit être alimentée par une source d'électricité et une tension appropriées, comme spécifié sur la plaque signalétique. La plaque signalétique se trouve derrière la porte du four, dans le coin supérieur droit du châssis.



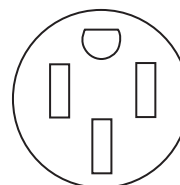
A. Plaque signalétique (située derrière la porte du four, dans le coin supérieur droit du châssis)

Puissance nominale de la cuisinière*	Intensité nominale spécifiée du cordon d'alimentation et de la protection du circuit		
	120/240 V	120/208 V	Courant
8,8–16,5 kW	7,8–12,5 kW	40 ou 50**	
16,6–22,5 kW	12,6–18,5 kW	50	

*La charge NEC calculée est inférieure à la charge totale connectée indiquée sur la plaque signalétique.

**Si l'appareil est branché à un circuit de 50 A, utiliser un cordon de 50 A avec la trousse. Pour les ensembles avec cordon de 50 A nominal, utiliser des trousse conçues pour être utilisées avec une ouverture de raccord d'un diamètre nominal de 1 3/8 po (3,5 cm).

- L'emploi d'un disjoncteur est recommandé.
- La cuisinière peut être raccordée directement au disjoncteur (ou coupe-circuit avec fusible) par l'intermédiaire d'un câble à conducteurs de cuivre ou d'aluminium, à blindage métallique flexible ou à gaine non métallique. Voir la section « Raccordement électrique – É.-U. seulement » du manuel de l'utilisateur.
- Prévoir 6 pi (1,8 m) de mou pour le câble afin de pouvoir déplacer la cuisinière en cas de réparation.
- Un raccord de conduit homologué UL doit être fourni à chaque extrémité du câble d'alimentation électrique (à la cuisinière et à la boîte de connexion).
- Le calibre des câbles et des raccords doit être conforme à la puissance nominale de la cuisinière.
- Cette cuisinière est équipée d'un cordon électrique homologué par la CSA International à brancher dans une prise murale standard 14-50R. Veiller à ce que la prise murale se trouve à proximité de l'emplacement définitif de la cuisinière.



- Ne pas utiliser de câble de rallonge.

Spécifications électriques – Canada seulement

⚠ AVERTISSEMENT



Risque de choc électrique

Relier la cuisinière à la terre.

Le non-respect de cette instruction peut causer un décès, un incendie ou un choc électrique.

Si les codes le permettent et qu'un fil de mise à la terre séparé est utilisé, nous recommandons qu'un électricien qualifié détermine si le trajet du fil et son calibre respectent les codes locaux. Vérifier que le raccordement à la source d'électricité et le calibre des conducteurs sont conformes aux prescriptions de la plus récente édition de la norme CSA C22.1, partie 1 – Code canadien de l'électricité, et de tout code ou règlement local en vigueur.

Pour obtenir un exemplaire des normes des codes ci-dessus, contacter :

Canadian Standards Association
178 Rexdale Blvd.
Toronto, ON M9W 1R3 CANADA

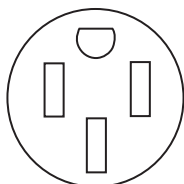
- En cas de doute quant à la qualité de la liaison à la terre de la cuisinière, consulter un électricien qualifié.

Puissance nominale de la cuisinière*	Intensité nominale spécifiée du cordon d'alimentation et de la protection du circuit		
	120/240 V	120/208 V	Courant
8,8–16,5 kW	7,8–12,5 kW	40 ou 50**	
16,6–22,5 kW	12,6–18,5 kW	50	

*La charge NEC calculée est inférieure à la charge totale connectée indiquée sur la plaque signalétique.

** Si l'appareil est branché à un circuit de 50 A, utiliser un cordon de 50 A avec la trousse. Pour les ensembles avec cordon de 50 A nominal, utiliser des trousse conçues pour être utilisées avec une ouverture de raccord d'un diamètre nominal de 1 3/8 po (3,5 cm).

- L'emploi d'un disjoncteur est recommandé.
- Cette cuisinière est équipée d'un cordon électrique homologué par la CSA International à brancher dans une prise murale standard 14-50R. Veiller à ce que la prise murale se trouve à proximité de l'emplacement définitif de la cuisinière.



- Ne pas utiliser de câble de rallonge.

Spécifications de l'alimentation en gaz

⚠ AVERTISSEMENT



Risque d'explosion

Utiliser une canalisation neuve d'arrivée de gaz approuvée par la CSA International.

Installer un robinet d'arrêt.

Bien serrer chaque organe de connexion de la canalisation de gaz.

En cas de connexion au gaz propane, demander à une personne qualifiée de s'assurer que la pression de gaz ne dépasse pas 36 cm (14 po) de la colonne d'eau.

Par personne qualifiée, on comprend :

**le personnel autorisé de chauffage,
le personnel autorisé d'une compagnie de gaz, et
le personnel d'entretien autorisé.**

Le non-respect de ces instructions peut causer un décès, une explosion ou un incendie.

Observer les dispositions de tous les codes et règlements en vigueur.

IMPORTANT : Cette installation doit être effectuée conformément avec les codes et règlements locaux. En l'absence de code local, l'installation doit satisfaire aux prescriptions de la plus récente édition du code national en vigueur de la National Fuel Gas Code ANSI Z223.1/NFPA 54 ou au Canada, National Gas and Propane Installation Code, CSA B149.1.

IMPORTANT : Les tests de fuite de la cuisinière doivent être effectués selon les instructions du fabricant. Consulter la section « Effectuer le raccordement au gaz » du Manuel d'utilisation pour obtenir des instructions de test de fuite.

Type de gaz

Gaz naturel :

- Cette cuisinière a été configurée à l'usine pour l'alimentation au gaz naturel. Pour la conversion vers le gaz propane, consulter la section « Conversions pour changement de gaz » du manuel de l'utilisateur. La plaque signalétique des numéros de modèle et de série située en arrière du tableau de commande indique les types de gaz utilisables. Si le type de gaz offert n'est pas mentionné sur la plaque signalétique, consulter le fournisseur local.

Conversion pour l'alimentation au propane :

L'opération de conversion doit être exécutée par un technicien de réparation qualifié.

Ne pas entreprendre de convertir l'appareil pour une utilisation avec un gaz différent de celui indiqué sur la plaque signalétique sans d'abord consulter le fournisseur de gaz.

Consulter la section « Conversions pour changement de gaz » du manuel de l'utilisateur.

Conduite de gaz

- Installer une canalisation de gaz rigide de 3/4 po (1,9 cm) jusqu'à l'emplacement d'installation de la cuisinière. Un tuyau d'un plus petit diamètre utilisé sur une grande distance pourrait ne pas fournir une alimentation suffisante en gaz. Pour l'alimentation au propane, le diamètre des canalisations ou tuyaux doit être de 1/2 po (1,3 cm) minimum. En général, le fournisseur de gaz propane détermine les matériaux à utiliser et le diamètre approprié.

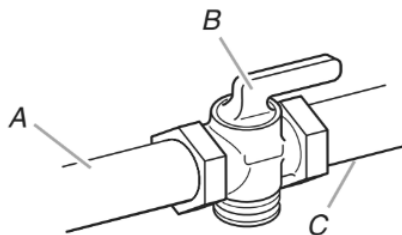
REMARQUE : Utiliser un composé d'étanchéité pour tuyauteries résistant à l'action utilisée. Ne pas utiliser de ruban TEFLON[†].

Raccord métallique flexible pour appareil ménager :

- Si les codes locaux le permettent, un nouveau raccord flexible en métal de 4 à 5 pi (122 à 152,4 cm) de long et de 1/2 po (1,3 cm) ou 3/4 po (1,9 cm) D.I. (diamètre intérieur) certifié par CSA peut être utilisé pour raccorder la cuisinière à la canalisation de gaz.



- Un raccord de tuyauterie mâle de 1/2 po (1,3 cm) est nécessaire pour la connexion sur le raccord à filetage femelle à l'entrée du détendeur de l'appareil.
- Ne pas plier ou endommager le tuyau de métal flexible lors du déplacement de la cuisinière.
- Robinet d'arrêt nécessaire : Procéder à l'installation d'une vanne de fermeture manuelle pour la conduite de gaz dans un endroit facile d'accès. Ne pas entraver l'accès au robinet d'arrêt manuel. Le robinet permet d'ouvrir ou de fermer l'alimentation en gaz de la cuisinière.



- A. Conduite de gaz
B. Robinet d'arrêt en position « ouverte »
C. Vers la cuisinière

Détendeur

Le détendeur fourni avec cette cuisinière doit être utilisé. La pression d'alimentation du détendeur doit être comme suit pour un fonctionnement correct :

Gaz naturel :

Pression minimum : 5 po (12,7 cm) de colonne d'eau
Pression maximum : 14 po (35,6 cm) de colonne d'eau

Gaz propane :

Pression minimum : 11 po (27,9 cm) de colonne d'eau
Pression maximum : 14 po (35,6 cm) de colonne d'eau

Communiquer avec votre fournisseur local de gaz en cas de doute sur la pression d'entrée.

Caractéristiques d'alimentation du brûleur

Les débits thermiques indiqués sur la plaque signalétique correspondent à une altitude d'utilisation inférieure à 2 000 pi (609,6 m).

Lorsque l'appareil est utilisé à une altitude supérieure à 2 000 pi (609,6 m), on doit réduire le débit thermique indiqué de 4 % pour chaque tranche de 1 000 pi (304,8 m) au-dessus du niveau de la mer (non applicable au Canada).

Essai de pression de la canalisation de gaz

On doit tester le détendeur sous une pression supérieure d'au moins 1 po (2,5 cm) à la pression de la tubulure de distribution indiquée sur la plaque signalétique.

Mise sous pression à une pression supérieure à 1/2 lb/po² (3,5 kPa) (14 po [35,6 cm] de colonne d'eau)

Pour tout test de pressurisation du système à une pression supérieure à 1/2 lb/po² (3,5 kPa), on doit déconnecter la cuisinière et son robinet d'arrêt des canalisations d'alimentation en gaz à pressuriser.

Mise sous pression à une pression de 1/2 lb/po² (3,5 kPa) (14 po [35,6 cm] de colonne d'eau ou moins)

Lors de tout test de mise sous pression de la canalisation de gaz à une pression égale ou inférieure à 1/2 lb/po² (3,5 kPa), on doit isoler la cuisinière de la canalisation de gaz par fermeture de son robinet d'arrêt manuel individuel.

† TEFLON[®] est une marque déposée de Chemours.