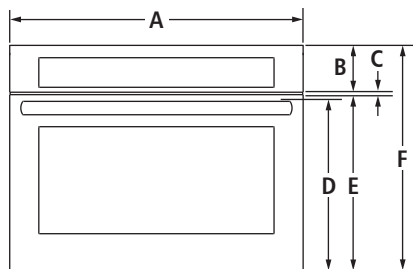


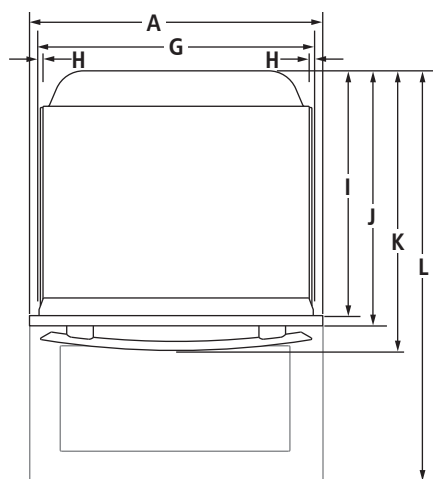
24" STEAM AND CONVECTION WALL OVEN

JBS7524BS – 23½" x 18" x 22¼"

PRODUCT DIMENSIONS



FRONT VIEW



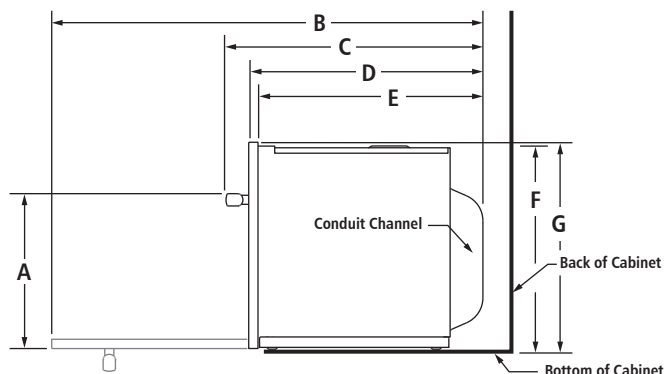
TOP VIEW

MODEL #		JBS7524BS	
		in	cm
A	Overall width	23½	59.5
B	Height of control panel	¾	9.5
C	Space between control panel and door	⅜	0.4
D	Height to top of handle	13½	34.2
E	Height of door	14⅞	35.6
F	Overall height	18	45.5
G	Width of recessed oven	21⅞	55.5
H	Width of conduit channel	1⅙	2.7
I	Depth of recessed oven	19⅞	49.7
J	Depth with door	20⅜	51.7
K	Depth with handle	22¼	56.5
L	Depth with door fully open	33⅞	86.0

24" STEAM AND CONVECTION WALL OVEN

JBS7524BS – 23½" x 18" x 22¼"

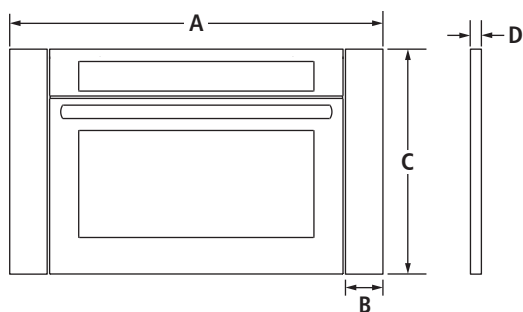
DIMENSIONS AS INSTALLED



SIDE VIEW

MODEL #		JBS7524BS	
		in	cm
A	Height to top of handle	13½	34.2
B	Depth with door fully open	33⅞	86.0
C	Depth with handle	22¼	56.5
D	Depth with door	20⅜	51.7
E	Depth of recessed oven	19⅝	49.7
F	Height of recessed oven	17⅞	44.7
G	Overall height	18	45.5

TRIM KIT DIMENSIONS

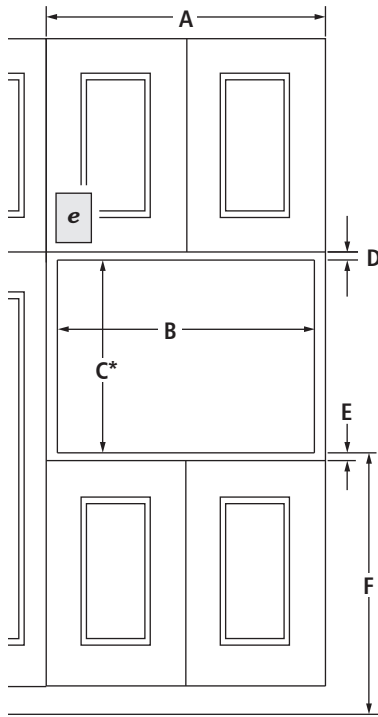


		30"		27"	
		in	cm	in	cm
A	Overall width	29¾	75.6	26⅞	68.2
B	Width of frame	3	7.6	1½	3.8
C	Overall height	18	45.5	18	45.5
D	Depth of frame	⅞	2.1	⅞	2.1

24" STEAM AND CONVECTION WALL OVEN

JBS7524BS – 23½" x 18" x 22¼"

OPENING/CLEARANCE DIMENSIONS



FRONT VIEW

MODEL #		JBS7524BS	
		in	cm
A	Width of cabinet (min.)	23 ⁵ / ₈	60.0
B	Width of cutout	21 ⁷ / ₈	55.6
C*	Height of cutout (recommended)	17 ³ / ₄	45.0
D	Top of cutout to bottom of upper cabinet door or counter (min.)	½	1.2
E	Bottom of cutout to top of lower cabinet door/drawer (min.)	½	1.2
F	Bottom of cutout to floor	23 ⁵ / ₈ - 51 ¹ / ₄	60.0- 130.0
G	Depth of cutout (min.)	21 ³ / ₄	55.0
e	Recommended junction box location		

*Will fit cutout height from 17¾" (45.0 cm) to 17⅞" (45.4 cm).

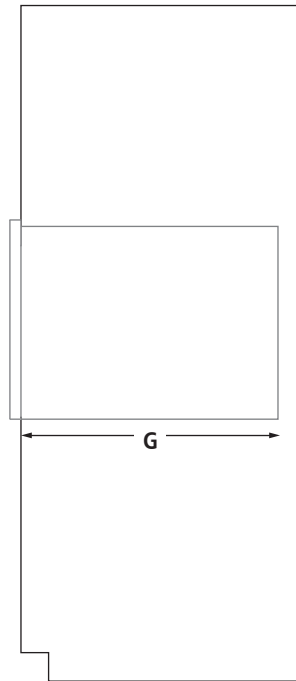
ELECTRICAL REQUIREMENTS

A 120 Volt, 60 Hz, AC only 15- or 20- amp fused, grounded electrical circuit is required. A time-delayed fuse or dedicated circuit is recommended.

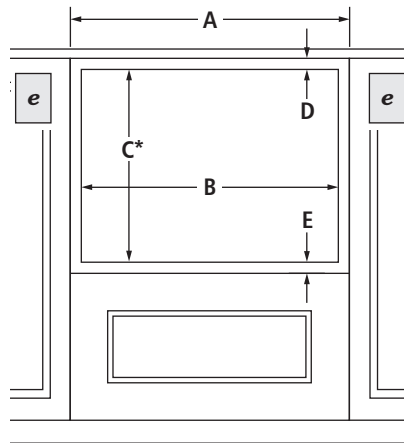
A grounded 3-prong outlet should be located in the upper cabinet. Do not use an extension cord.

CABINET REQUIREMENTS

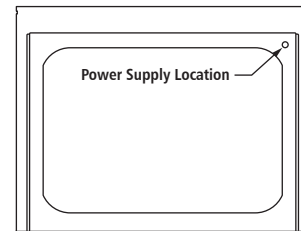
Support structure must be able to support 99.2 lb (45 kg) including steam oven and contents.



SIDE VIEW



UNDER COUNTER INSTALLATION
(without cooktop installed above)



BACK VIEW