

HUEBSCH MULTI-HOUSING

QUANTUM® GOLD PRO PREP FOR CARD, PREP FOR COIN

COMMERCIAL STACK WASHER/DRYER – CANADA

Built for Reliable Performance

Huebsch®'s stack washer/dryer brings an innovative stacked concept that takes up half the floor space that a conventional washer and dryer does when situated side by side. The freestanding softmount design can be installed on all floor types or levels. Both washer and dryer have the same hookups and connections as a standard washer and dryer. No additional plumbing or electrical change is needed. Huebsch's stack washer/dryer combines heavy-duty construction with reliable operation proven to stand the test of time. They're designed with less moving parts for one reason: so you'll face fewer maintenance problems and less wear and tear down the road. Front load products have met every design standard to be 100% ADA compliant.

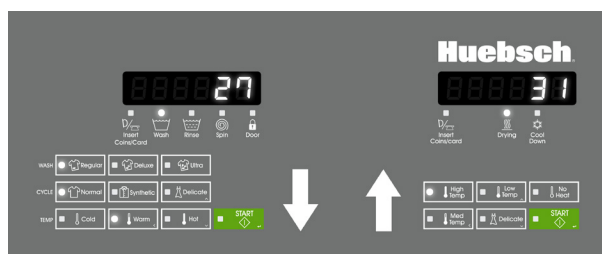
- Integrated meter case
- Large capacity meter case standard
- Wash Alert™ capability

WASHER (ADA Compliant)

- Rugged suspension system
- Industry leading 1200 RPM spin speed exerts 440 G-force extraction
- Durable stainless steel washtub
- Four-compartment soap dispenser
- Extra-wide 15.5" door opening and 180° door swing

DRYER

- Upfront lint filter easy to clean and secured
- Industry's largest door opening 2.06 sq. ft. (1914 cm²)
- Quiet, efficient blower system



Washer Control

Dryer Control

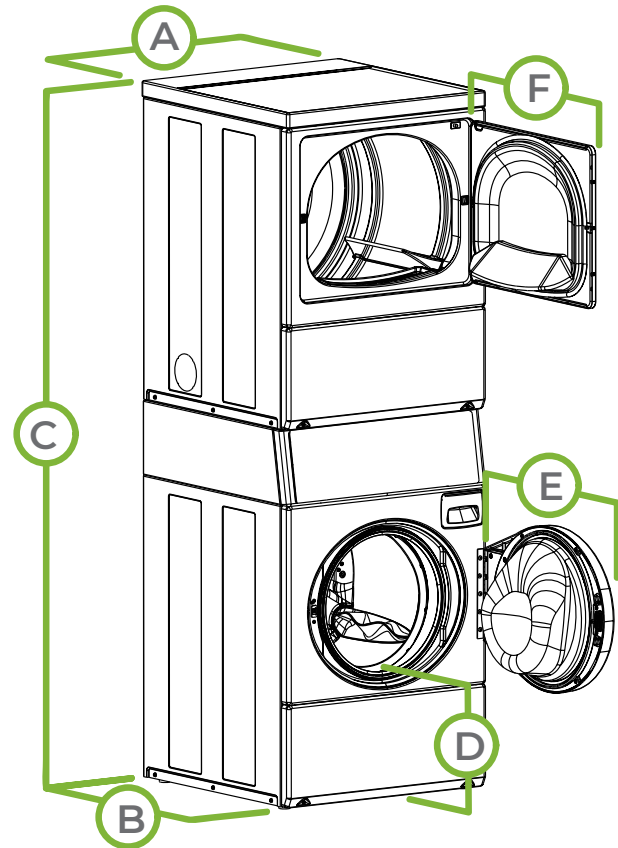
The Quantum® Gold Pro control delivers a truly premium experience to residents. From intuitive soft touch buttons that walk them through cycle options to multiple actuations (coin, card, mobile) for payment flexibility, this control gives residents the wash and dry options they want, and the revenue potential managers desire.



SPECIFICATIONS



COMMERCIAL STACK WASHER/DRYER – CANADA

| | |
|--|--|
| MODEL - see below for all models and activation available | |
| CONTROL OPTION | Quantum Gold Pro |
| COLOR | White |
| CAPACITY - lb (kg) | Washer 21.5 (9.5) Dryer 18 (8.2) |
| OVERALL WIDTH - in (mm) | 26.875 (683) |
| OVERALL DEPTH - in (mm) | 27.73 (704) |
| OVERALL HEIGHT - in (mm) | 78.17 (1986) |
| CYLINDER VOLUME cu. ft. (liters) | Washer 3.42 (96.8) Dryer 7.0 (198) |
| MOTOR SIZE - HP (kW) | 0.9 (0.67) |
| TYPE OF GAS (GAS MODELS ONLY) | Factory equipped natural |
| WATER CONSUMPTION PER CYCLE - g (liter)** | 13.68 (51.78) |
| IWF (WATER FACTOR) - gal/ft ³ (liters/liter/cycle)** | 4.0 (0.53) |
| MEF ₃₂ (Modified Energy Factor) ft ³ /kWh/cycle (Liters/kWh/cycle)** | 2.20 (62.3) |
| AVAILABLE WATER TEMPERATURES | Hot, Warm, Cold |
| AVAILABLE CYCLES | Washer Light, Medium, Heavy, Normal, Perm Press, Delicates/Bulky |
| | Dryer High, Medium, Low, Delicate, No Heat |
| AIR OUTLET DIAMETER - in (mm) | 4 (102) |
| EXHAUST AIRFLOW - cfm (liters/sec) | 220 (105) |
| ELECTRICAL REQUIREMENTS | Electric 120/240/60/1-40 amp 120/208/60/1-40 amp |
| | Gas 120/60/1-20 amp |
| HEATING ELEMENT | Electric 5000W, 240V 4250W, 208V |
| | Gas 25,000 Btu |
| NET WEIGHT - lb (kg) | 385 (175) |
| SHIPPING WEIGHT - lb (kg) | 417 (189) |
| SHIPPING DIMENSIONS APPROX. - in (mm) | Width 34 (864) |
| | Depth 30 (762) |
| | Height 80 (2032) |
| AGENCY APPROVALS | Electric cULus |
| | Gas cCSAus |



| | | |
|----|---------------------------------|--------------|
| A. | OVERALL WIDTH - in (mm) | 26.875 (683) |
| B. | OVERALL DEPTH - in (mm) | 27.73 (704) |
| C. | OVERALL HEIGHT - in (mm) | 78.17 (1986) |
| D. | FLOOR TO DOOR OPENING - in (mm) | 14.6 (371)* |
| E. | DOOR SWING - in (mm) | 24 (610) |

* For ADA compliance turn legs out from base 0.5 inches

| MODELS | VOLTAGE/FREQ/PH | ACTUATION |
|-----------------|-----------------|---|
| HTENXASP286CW01 | 208-240/60/1 | Electric Prep for Coin  |
| HTGNXASP096CW01 | 120/60/1 | Gas |
| HTENYASP286CW01 | 208-240/60/1 | Electric Prep for Card  |
| HTGNYASP096CW01 | 120/60/1 | Gas |

NOTE: Stack washer/dryer requires a single inlet power supply circuit.

■ Electric dryers come equipped for 240/60/1 operation. They can be field converted to operate on 208/60/1 with optional 61928 conversion kit. Gas dryers can be field converted for operation on LP gas with optional 458P3 conversion kit.

** Average usage based on multiple load sizes and current DOE test protocol. Real usage will vary depending on load size, composition and cycle selectivity.

For the most accurate information, the installation guide should be used for all design and construction purposes. Due to continuous product improvements, design and specifications subject to change without notice. The quality management system at Alliance Laundry Systems are registered to ISO 9001.