

# Haier

Installation and User Manual  
Instructions d'installation et  
Guide de l'utilisateur  
Instrucciones de instalación y  
Manual del usuario

HRB15N3

## Bottom Mount Refrigerator Réfrigérateur à congélateur inférieur Refrigerador de montaje inferior





# TABLE OF CONTENTS

<b>REFRIGERATOR SAFETY .....</b>	<b>4</b>
<b>PARTS AND FEATURES.....</b>	<b>6</b>
<b>INSTALLATION REQUIREMENTS.....</b>	<b>7</b>
Location Requirements .....	7
Electrical Requirements.....	7
<b>INSTALLATION INSTRUCTIONS.....</b>	<b>8</b>
Step 1 - Unpack the Refrigerator .....	8
Step 2 - Door Reversing.....	8
Step 3 - Complete the Installation .....	13
Step 4 - Leveling and Door Adjustment.....	13
<b>REFRIGERATOR USE .....</b>	<b>14</b>
Using the Controls .....	14
Features.....	16
<b>REFRIGERATOR CARE .....</b>	<b>18</b>
Cleaning.....	18
Lights .....	19
Vacation and Moving Care .....	19
Reinstalling/Using Refrigerator Again.....	19
<b>TROUBLESHOOTING.....</b>	<b>20</b>
<b>LIMITED WARRANTY .....</b>	<b>22</b>

# REFRIGERATOR SAFETY

## IMPORTANT SAFETY INSTRUCTIONS

**⚠ WARNING** To reduce the risk of fire, explosion, electric shock, or injury when using your refrigerator, follow these basic safety precautions:

- This refrigerator must be properly installed and located in accordance with the Installation Instructions before it is used.
- Unplug the refrigerator before making repairs, replacing a light bulb, or cleaning.
 

**NOTE:** Power to the refrigerator cannot be disconnected by any setting on the control panel.

**NOTE:** Repairs must be performed by a qualified Service Professional.
- Replace all parts and panels before operating.
- Do not use an extension cord.
- Do not store or use gasoline or other flammable vapors and liquids in the vicinity of this or any other appliance.
- Do not store explosive substances such as aerosol cans with a flammable propellant in this appliance.
- To prevent suffocation and entrapment hazards to children, remove the fresh food and freezer doors from any refrigerator before disposing of it or discontinuing its use.
- To avoid serious injury or death, children should not stand on, or play in or with the appliance.
- Children and persons with reduced physical, sensory or mental capabilities or lack of experience and knowledge can use this appliance only if they are supervised or have been given instructions on safe use and understand the hazards involved.
- This appliance is intended to be used in household and similar applications such as: staff kitchen areas in shops, offices and other working environments; farm houses; by clients in hotels, motels, bed & breakfast and other residential environments; catering and similar non-retail applications.
- Do not apply harsh cleaners to the refrigerator. Certain cleaners will damage plastic which may cause parts such as the door or door handles to detach unexpectedly. See the Care and Cleaning section in your Owner's Manual for detailed instructions.

**⚠ CAUTION** To reduce the risk of injury when using your refrigerator, follow these basic safety precautions.

- Do not clean glass shelves or covers with warm water when they are cold. Glass shelves and covers may break if exposed to sudden temperature changes or impact, such as bumping or dropping. Tempered glass is designed to shatter into many small pieces if it breaks.
- Keep fingers out of the "pinch point" areas; clearances between the doors and between the doors and cabinet are necessarily small. Be careful closing doors when children are in the area.
- Do not touch the cold surfaces in the freezer compartment when hands are damp or wet, skin may stick to these extremely cold surfaces.
- Do not refreeze frozen foods which have thawed completely.
- In refrigerators with automatic ice makers, avoid contact with the moving parts of the ejector mechanism, or with the heating element that releases the cubes. Do not place fingers or hands on the automatic ice making mechanism while the refrigerator is plugged in.

**⚠ WARNING**  **EXPLOSION HAZARD Flammable Refrigerant**

**This appliance contains isobutane refrigerant, R600a, a natural gas with high environmental compatibility. However, it is also combustible. Adhere to the warnings below to reduce the risk of injury or property damage.**

1. When handling, installing and operating the appliance, care should be taken to avoid damage to the refrigerant tubing.
2. Service shall only be performed by authorized service personnel. Use only manufacturer-authorized service parts.
3. Dispose of refrigerator in accordance with Federal and Local Regulations. Flammable refrigerant and insulation material used require special disposal procedures. Contact your local authorities for the environmentally safe disposal of your refrigerator.
4. Keep ventilation openings in the appliance enclosures or in the built-in structure clear of obstruction.
5. Do not use mechanical devices or other means to accelerate the defrosting process.
6. Do not damage refrigerant circuit.
7. Do not use electrical appliances inside the food storage compartment of the appliance.

# REFRIGERATOR SAFETY

## CONNECTING ELECTRICITY

### **⚠ WARNING** **ELECTRICAL SHOCK HAZARD**

Plug into a grounded 3-prong outlet  
Do not remove the ground prong  
Do not use an adapter

Do not use an extension cord.  
Failure to follow these instructions can result in death,  
fire, or electrical shock.

**Do not, under any circumstances, cut or remove the third (ground) prong from the power cord. For personal safety, this appliance must be properly grounded.**

The power cord of this appliance is equipped with a 3-prong (grounding) plug which mates with a standard 3-prong (grounding) wall outlet to minimize the possibility of electric shock hazard from this appliance.

Have the wall outlet and circuit checked by a qualified electrician to make sure the outlet is properly grounded.

Where a standard 2-prong wall outlet is encountered, it is your personal responsibility and obligation to have it replaced with a properly grounded 3-prong wall outlet. Do not use an adapter.

The refrigerator should always be plugged into its own individual electrical outlet which has a voltage rating that matches the rating plate.

A 115 Volt AC, 60 Hz, 15- or 20-amp fused, grounded electrical supply is required. This provides the best performance and also prevents overloading house wiring circuits which could cause a fire hazard from overheated wires.

Never unplug your refrigerator by pulling on the power cord. Always grip plug firmly and pull straight out from the outlet.

Immediately discontinue use of a damaged supply cord. If the supply cord is damaged, it must be replaced by a qualified service professional with an authorized service part from the manufacturer.

When moving the refrigerator away from the wall, be careful not to roll over or damage the power cord.

## PROPER DISPOSAL OF YOUR OLD REFRIGERATOR

### **⚠ WARNING** **SUFFOCATION AND ENTRAPMENT HAZARD**

Failure to follow these disposal instructions can result in death or serious injury

**IMPORTANT:** Child entrapment and suffocation are not problems of the past. Junked or abandoned refrigerators are still dangerous even if they will sit for "just a few days." If you are getting rid of your old refrigerator, please follow the instructions below to help prevent accidents.

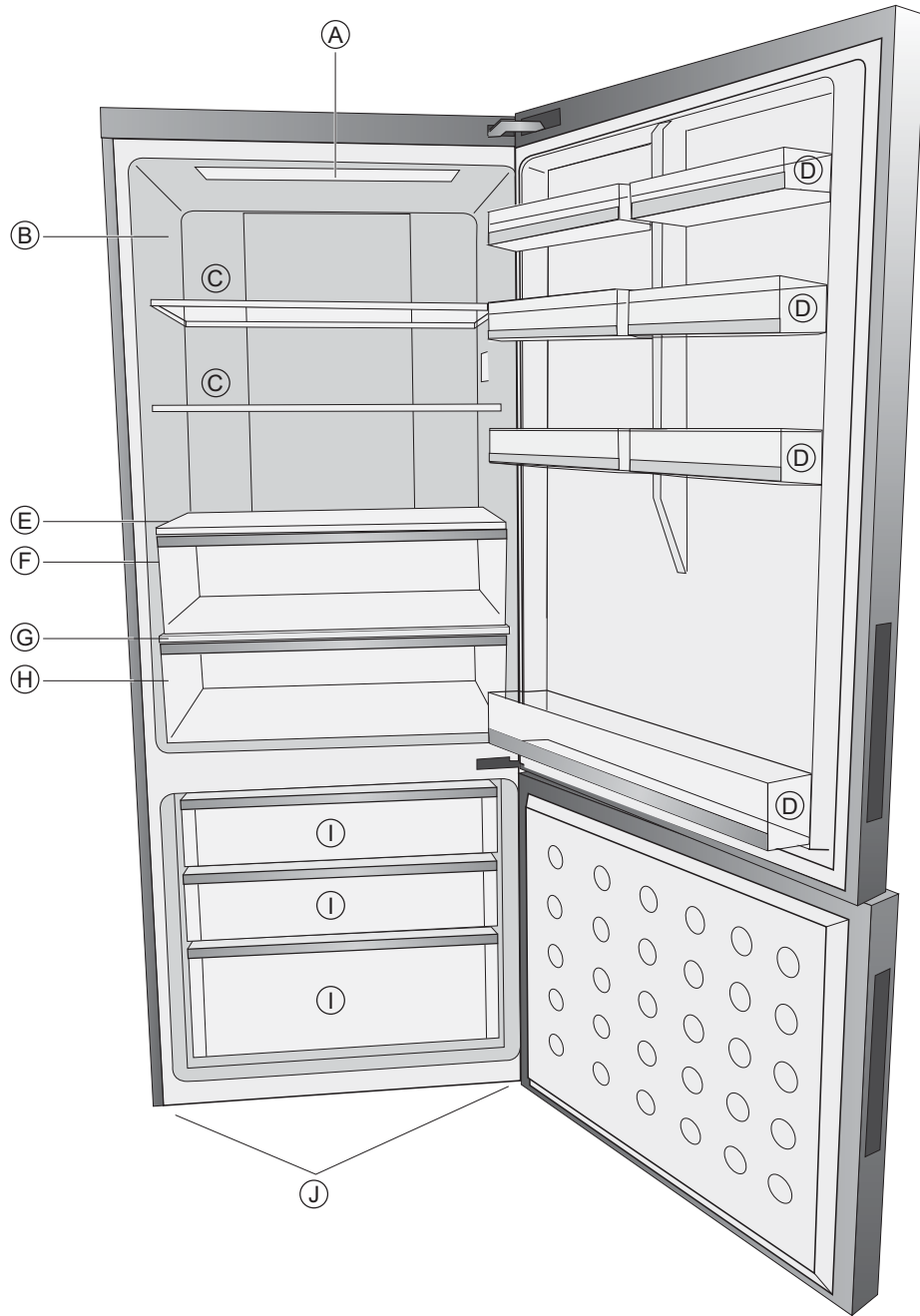
#### **Before You Throw Away Your Old Appliance**

- Take off the Refrigerator and Freezer doors.
- Leave the shelves in place so that children may not easily climb inside.

#### **Refrigerant and Foam Disposal:**

Dispose of appliance in accordance with Federal and Local Regulations. Flammable refrigerant and insulation material used require special disposal procedures. Contact your local authorities for the environmentally safe disposal of your appliance.

# PARTS AND FEATURES



- Ⓐ LED Light
- Ⓑ Rating Plate
- Ⓒ Glass Shelves (2)
- Ⓓ Refrigerator Door Bins (7)
- Ⓔ Refrigerator Drawer Cover
- Ⓕ Refrigerator Drawer
- Ⓖ My Zone Cover
- Ⓗ My Zone Drawer
- Ⓘ Freezer Storage Drawers (3)
- Ⓝ Adjustable Leveling Legs (2)

# INSTALLATION REQUIREMENTS

## LOCATION REQUIREMENTS

### ⚠ WARNING



#### Explosion and Fire Hazard

Keep flammable materials and vapors, such as gasoline, away from appliance.

Failure to do so can result in death, explosion or fire.

**IMPORTANT:** This refrigerator is designed for indoor, household use only.

To ensure proper ventilation for your refrigerator, allow for 1" (2.54 cm) of space on each side and at the top. Allow for 2" (5.08 cm) of space behind the refrigerator. When installing your refrigerator next to a fixed wall, leave 4" (10 cm) minimum to allow for the door to swing open.

**NOTE:** This refrigerator is intended for use in a location where the temperature ranges from a minimum of 55°F (13°C) to a maximum of 110°F (43°C). The preferred room temperature range for optimum performance, which reduces electricity usage and provides superior cooling, is between 60°F (15°C) and 90°F (32°C). It is recommended that you do not install the refrigerator near a heat source, such as an oven or radiator.

## ELECTRICAL REQUIREMENTS

### ⚠ WARNING



#### Electrical Shock Hazard

Plug into a grounded 3 prong outlet.

Do not remove the ground prong from the power cord plug.

Do not use an adapter.

Do not use an extension cord.

Failure to do so can result in death, fire or electrical shock.

Before you move your refrigerator into its final location, it is important to make sure you have the proper electrical connection.

#### Recommended Grounding Method

A 115 volt, 60 Hz, AC only 15- or 20-amp fused, grounded electrical supply is required. It is recommended that a separate circuit serving only your refrigerator be provided. Use an outlet that cannot be turned off by a switch. Do not use an extension cord.

**NOTE:** Before performing any type of installation or cleaning, disconnect the refrigerator from the electrical source. When you are finished, reconnect the refrigerator to the electrical source and reset the temperature controls to the desired setting.

# INSTALLATION INSTRUCTIONS

## STEP 1 - UNPACK THE REFRIGERATOR

### ⚠ WARNING

#### Excessive Weight Hazard

- Do not puncture refrigerant tubing.
- Follow handling instructions carefully.
- Flammable refrigerant used.
- Failure to do so can result in death, explosion or fire.

**IMPORTANT:** Handle with care when moving to avoid either damaging the refrigerant tubing or increasing the risk of a leak.

## REMOVE THE PACKAGING

- Remove tape and glue residue from surfaces before turning on the refrigerator. Rub a small amount of liquid dish soap over the adhesive with your fingers. Wipe with warm water and dry.
- Do not use sharp instruments, rubbing alcohol, flammable fluids, or abrasive cleaners to remove tape or glue. These products can damage the surface of your refrigerator. For more information, see "Refrigerator Safety."
- Dispose of/recycle all packaging materials.

### When Moving Your Refrigerator:

Your refrigerator is heavy. When moving the refrigerator for cleaning or service, be sure to cover the floor with cardboard or hardboard to avoid floor damage. Always pull the refrigerator straight out when moving it. Do not wiggle or "walk" the refrigerator when trying to move it, as floor damage could occur.

## CLEAN BEFORE USING

After you remove all of the packaging materials, clean the inside of the refrigerator before using it. See the cleaning instructions in "Refrigerator Care."

### Important information to know about glass shelves and covers:

Do not clean glass shelves or covers with warm water when they are cold. Shelves and covers may break if exposed to sudden temperature changes or impact, such as bumping. Tempered glass is designed to shatter into many small, pebblesize pieces. This is normal. Glass shelves and covers are heavy. Use both hands when removing them to avoid dropping.

## STEP 2 - DOOR REVERSING (OPTIONAL)

The door hinges are factory installed on the right-hand side. If you want the doors to open from the opposite direction, you can reverse the door swing.

### IMPORTANT:

- Before you begin, unplug the refrigerator, or disconnect power.
- Remove food and the bins from the refrigerator door.
- The door hinges are designed to be right-hand swing or lefthand swing specific. Replace the right-hand hinges with the lefthand hinges provided in the parts bag. After removing, keep the right-hand hinges in case you would need to reverse the door swing.

### Parts Provided:

- Top Hinge
- Center Hinge
- Bottom Hinge

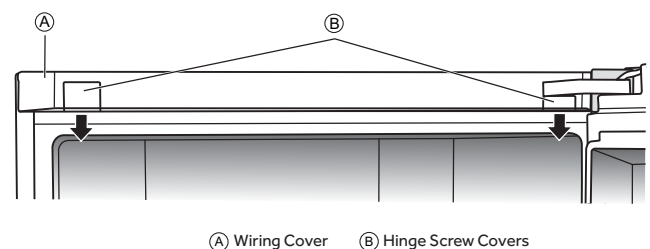
### Tools Needed:

- Flat-blade Screwdriver
- Phillips-head Screwdriver
- 8 mm Socket Wrench

## REMOVE AND REVERSE REFRIGERATOR DOOR

- Unplug refrigerator or disconnect power.
- Pull down to remove the hinge screw covers from the wiring cover.

**NOTE:** The wiring cover spans the width of the cabinet top.

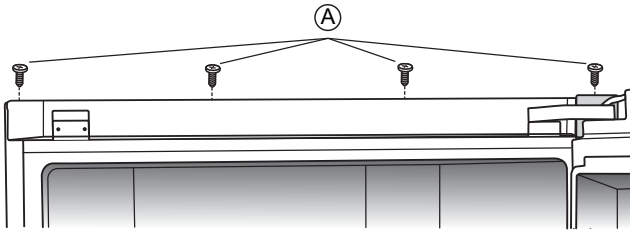


(A) Wiring Cover (B) Hinge Screw Covers



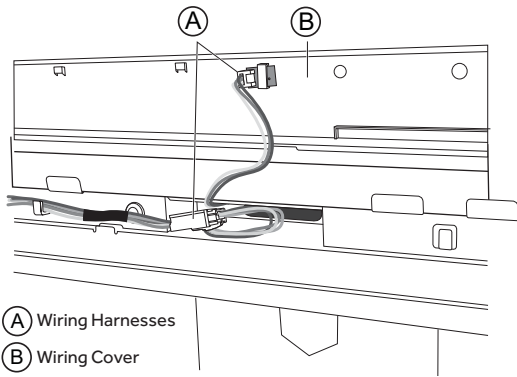
# INSTALLATION INSTRUCTIONS

3. Using a Phillips screwdriver, remove the four screws attaching the wiring cover to the top of the refrigerator cabinet. Lift up on the wiring cover and allow it to rest on the top of the cabinet.



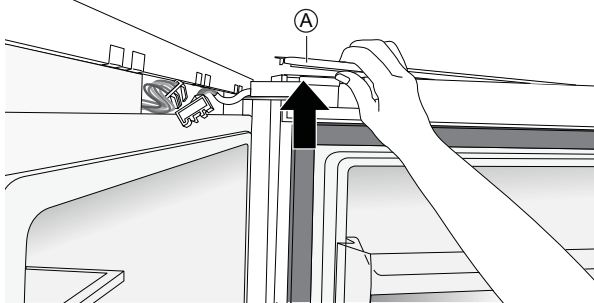
(A) Screws

4. Disconnect the wiring harnesses, by pinching each end and gently pulling them apart. Set wiring cover aside.



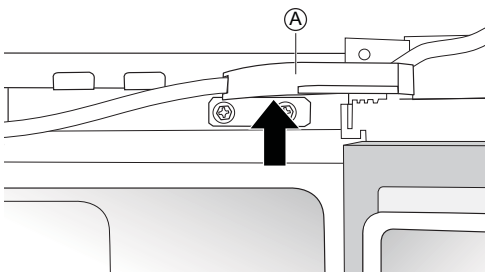
(A) Wiring Harnesses  
(B) Wiring Cover

5. With your thumbs in the opening next to the hinge, press upward on the top plate to release and remove it from the refrigerator door. Set the top plate aside.



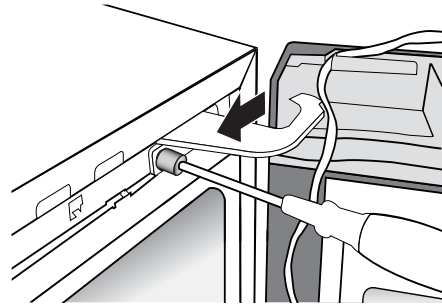
(A) Top Plate

6. Lift up to remove the hinge cover, and keep it for possible future use.



(A) Hinge Cover

7. Using an 8 mm socket wrench, remove the two screws attaching the top hinge to the cabinet.

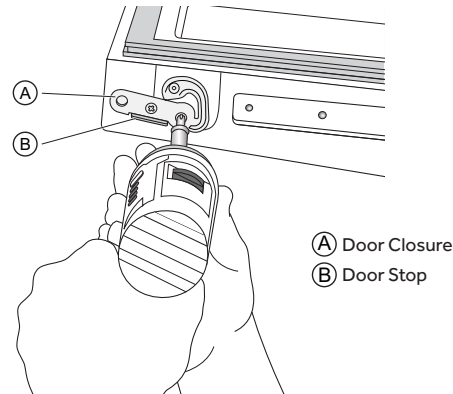


8. Slide the top hinge to disengage it from the third screw on the cabinet, and then lift up to remove the hinge pin from the door.

**NOTE:** Save the top hinge for possible future use.

9. Lift the refrigerator door off of the center hinge, and gently lay the door on a covered surface.

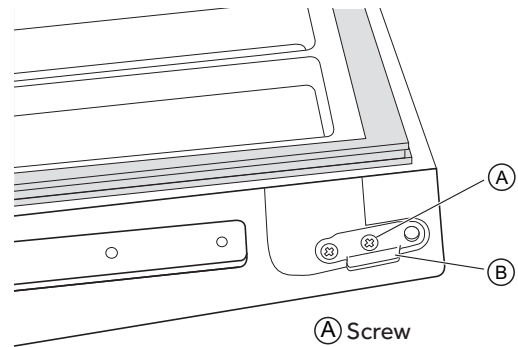
10. Using a Phillips screwdriver, remove the plastic door closure and the metal door stop from the bottom of the door.



(A) Door Closure  
(B) Door Stop

11. Remove the screw from the door closure, and replace the screw into the hole from which it was removed.

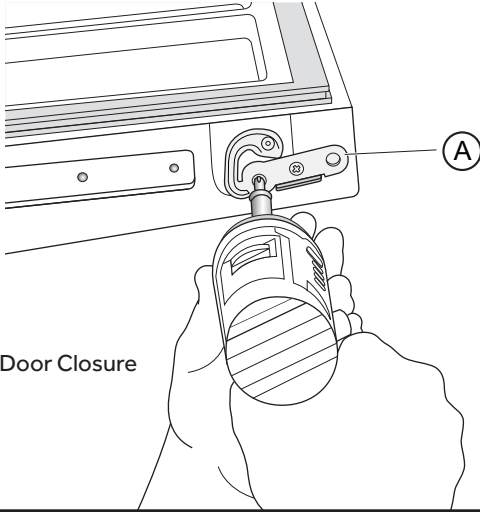
12. Move the door stop to the opposite side. Insert screw into the center hole and fasten.



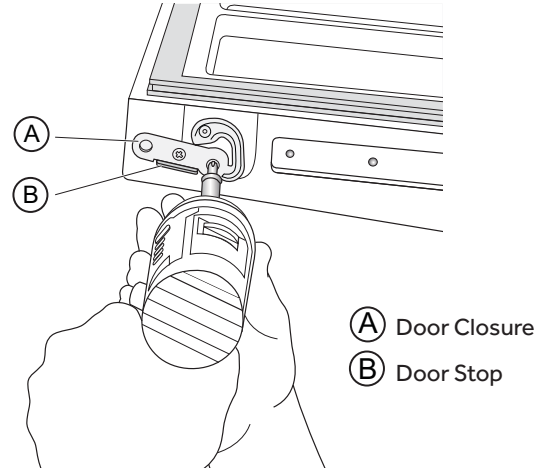
(A) Screw  
(B) Door Stop

# INSTALLATION INSTRUCTIONS

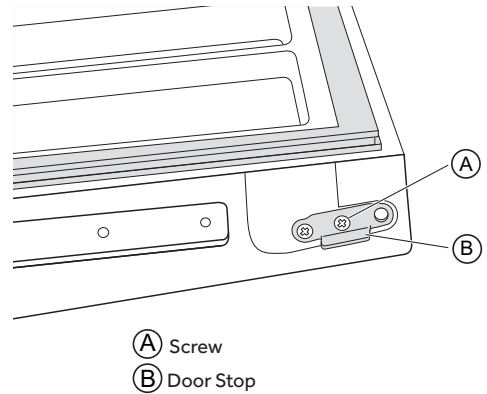
13. Move the door closure to the opposite side. Flip over the door closure so that the curved edge of the closure is toward the center of the door.
14. Remove innermost screw. Fit the door closure on top of the door stop screw, and fasten with the innermost screw.



4. Using a Phillips screwdriver, remove the two screws fastening the plastic door closure and the metal door stop to the bottom of the door.

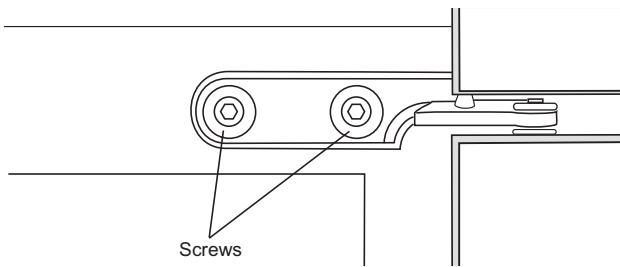


5. Remove the screw from the door closure, and replace the screw into the hole from which it was removed.
6. Move the door stop to the opposite side. Insert screw into the center hole and fasten.

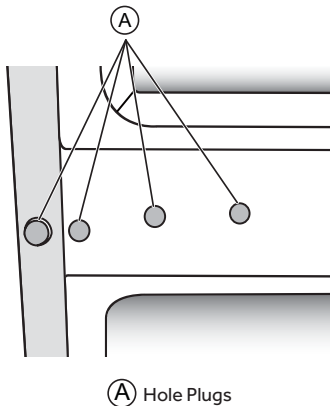


## REMOVE AND REVERSE FREEZER DOOR

1. Remove the two screws attaching the center hinge to the bottom of the refrigerator compartment. Remove the center hinge and save for possible future use.



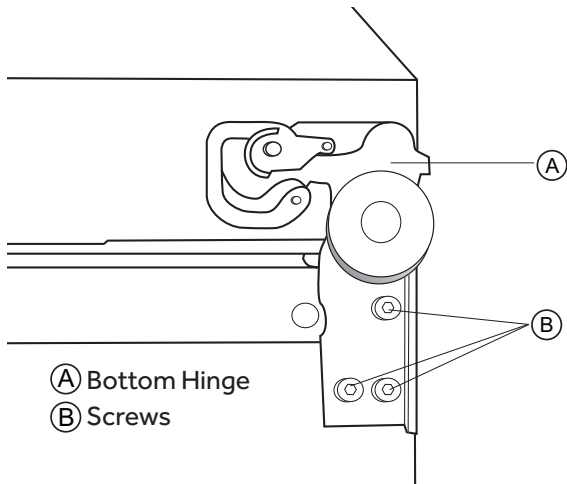
2. Lift the freezer compartment door from the bottom hinge.
3. Move the hole plugs and the screw to the opposite side.



7. Move the door closure to the opposite side. Flip over the door closure so that the curved edge of the closure is toward the center of the door.

# INSTALLATION INSTRUCTIONS

8. Remove innermost screw. Fit the door closure on top of the door stop screw, and fasten with the innermost screw.



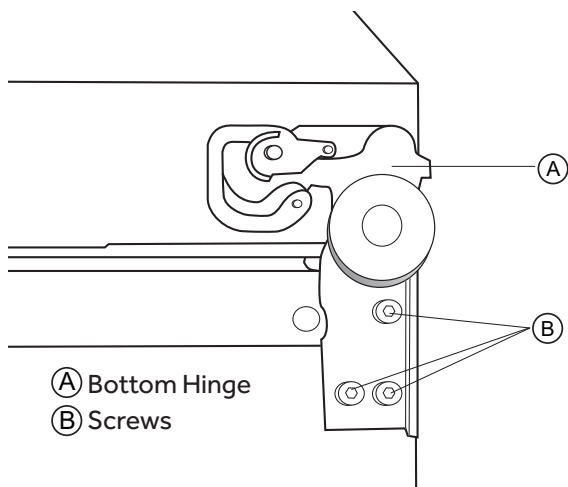
## ⚠ WARNING

### Excessive Weight Hazard

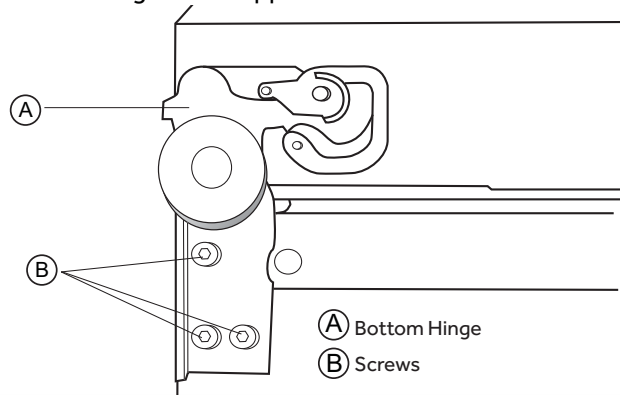
Use two or more people to move and install refrigerator.

Failure to do so can result in back or other injury.

9. Using two or more people lay the refrigerator on the floor.
10. Remove the three screws attaching the bottom hinge to the cabinet. Remove the bottom hinge and save for possible future use.

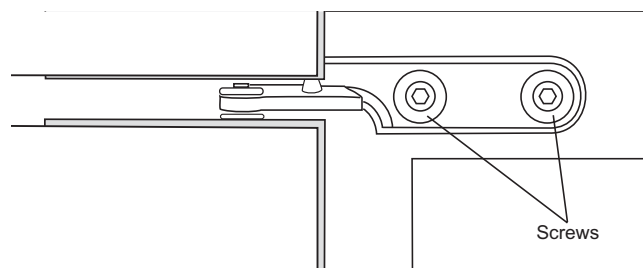


11. Remove the new bottom hinge from the accessory bag. Using the three screws removed earlier, fasten the bottom hinge to the opposite side of the cabinet.

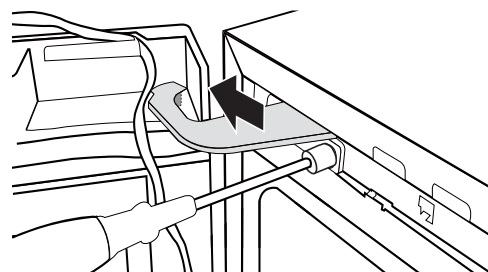


## REINSTALL DOORS

- Align the hole in the bottom of the freezer compartment door with the hinge pin and gently lower the door onto the bottom hinge.
- Align the edge of the freezer door with the side of the cabinet before installing the center hinge.
- Remove the new center hinge from the accessory bag, insert the hinge pin into the top of the freezer compartment door, and then fasten the hinge to the bottom of the refrigerator compartment opening.

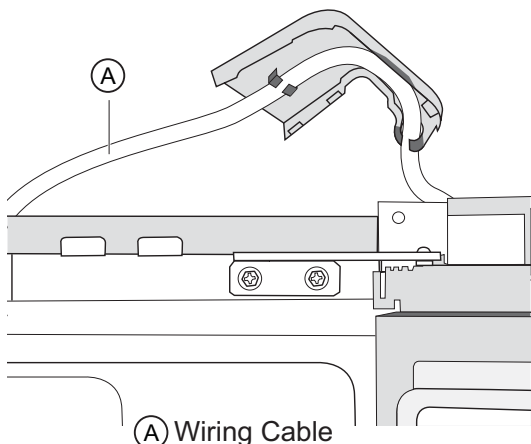


- Remove the new top hinge from the accessory bag. Insert the hinge pin into the hinge hole in the top of the refrigerator door, and then gently lower the door onto the center hinge.
- Align the edge of the refrigerator door with the side of the cabinet before fastening the top hinge.
- Using the top hinge screws, removed earlier, fasten the top hinge to the refrigerator cabinet.

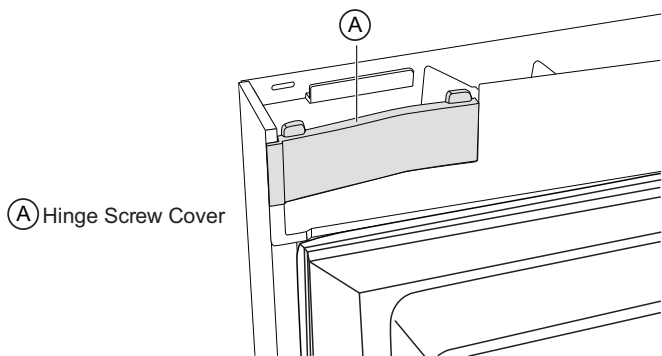


# INSTALLATION INSTRUCTIONS

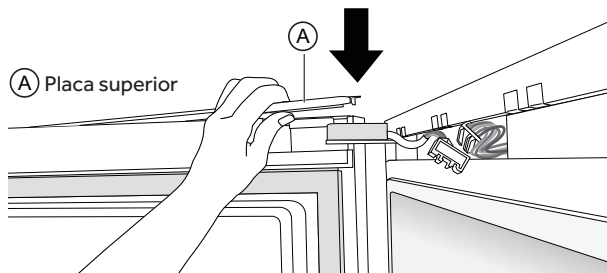
7. Remove the new hinge cover from the accessory bag. Insert the wiring cable through the clips on the underside of the cover, and then fit the cover over the hinge.



8. Flip the hinge screw cover, and insert it into the interior edge of the door.

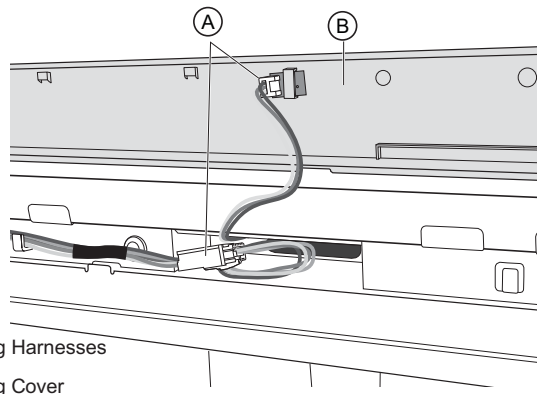


9. Replace the door top plate.

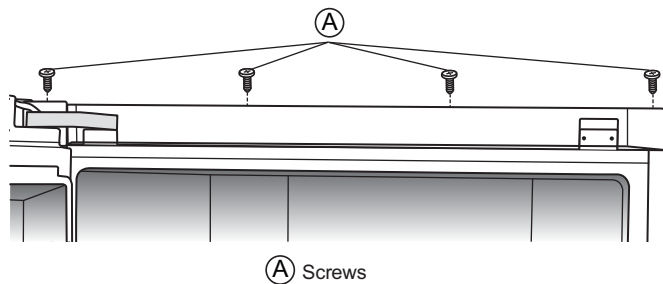


10. Connect the ends of both wire harnesses.

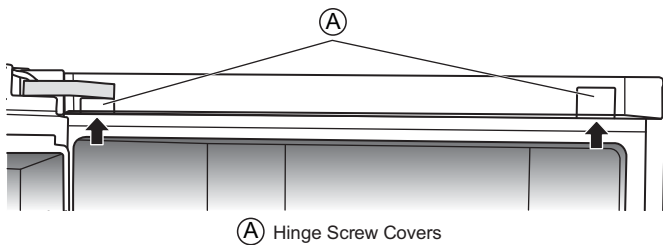
**NOTE:** Make sure the wiring is pressed firmly into the clips, and fit the excess length into the cabinet opening.



11. Replace the wiring cover on top of the refrigerator cabinet, and fasten with the four screws.



12. Insert the hinge screw covers into the wiring cover on the top of the cabinet.



# INSTALLATION INSTRUCTIONS

## STEP 3 - COMPLETE THE INSTALLATION

### ⚠ WARNING



#### Electrical Shock Hazard

Plug into a grounded 3 prong outlet.

Do not remove the ground prong from the power cord plug.

Do not use an adapter.

Do not use an extension cord.

Failure to do so can result in death, fire or electrical shock.

1. Plug into a grounded 3 prong outlet.
2. Return all removable door parts to door and food to refrigerator.

**NOTE:** This refrigerator begins operating as soon as it is connected to the power supply.

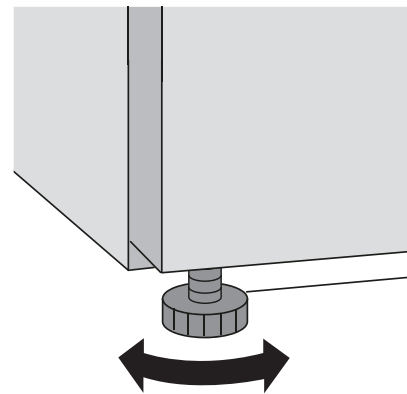
## STEP 4 - LEVELING AND DOOR ADJUSTMENT (IF NEEDED)

The refrigerator must be level to maintain optimal performance and appearance.

### LEVELING

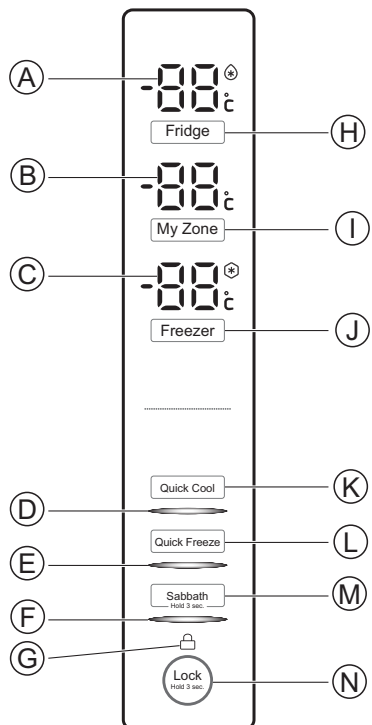
1. Move the refrigerator to its final location.
2. Turn the feet on the bottom, front of the cabinet to raise or lower that side of the refrigerator until the refrigerator is level side-to-side.
3. Turn both front legs, by the same amount, to slightly raise the front of the refrigerator. This will make it easier for the doors to close.

**NOTE:** Having someone push against the top of the refrigerator takes some weight off the leveling screws. This makes it easier to turn the screws.



# REFRIGERATOR USE

## USING THE CONTROLS



- |                                      |                               |
|--------------------------------------|-------------------------------|
| Ⓐ Refrigerator Temperature Indicator | Ⓗ Fridge Temperature Control  |
| Ⓑ My Zone Temperature Indicator      | Ⓘ My Zone Temperature Control |
| Ⓒ Freezer Temperature Indicator      | Ⓙ Freezer Temperature Control |
| Ⓓ Quick Cool Indicator               | Ⓚ Quick Cool Control          |
| Ⓔ Quick Freeze Indicator             | Ⓛ Quick Freeze Control        |
| Ⓕ Sabbath Indicator                  | Ⓜ Sabbath Mode Control        |
| Ⓖ Lock Indicator                     | Ⓝ Lock Control                |

## TOUCH PADS

The controls are touch pads, which respond when lightly touched.

## CONTROL PANEL LOCK

The control panel is automatically locked after 30 seconds of nonuse. To change any settings the control panel must be unlocked.

### To Unlock the Control Panel:

1. Press and hold LOCK for 3 seconds. The Lock indicator will turn OFF.

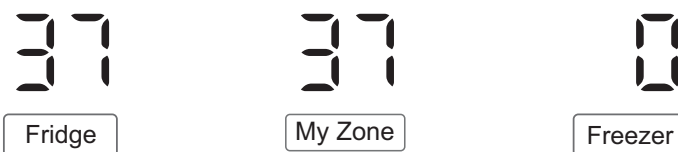


### To Lock the Control Panel:

1. Press and hold LOCK for 3 seconds. The Lock indicator will turn on.



## TEMPERATURE DISPLAY



When no buttons or doors are operated for 30 seconds, all the LEDs on display panel turn off.

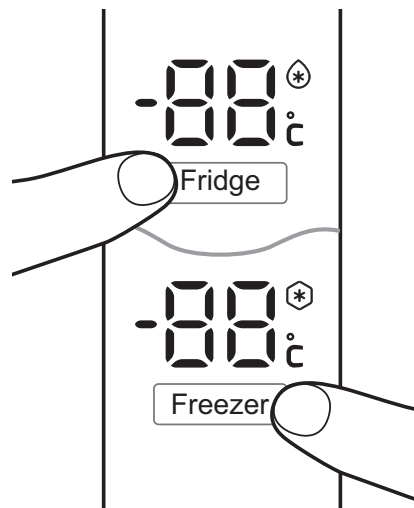
When a button is pressed or a door opened, the LEDs on display panel illuminate.

## UNITS SELECT

The Units Select feature allows you to choose between displaying the set temperature in either degrees Fahrenheit (°F) or degrees Celsius (°C).

The default temperature unit is degrees Fahrenheit.

1. If locked, unlock the control panel by pressing and holding LOCK for 3 seconds.
2. Press and hold FRIDGE and FREEZER at the same time for 3 seconds. °C will appear next to the temperature display to indicate that the unit has been changed to degrees Celsius.
3. To return to displaying the set temperature in degrees Fahrenheit, press and hold FRIDGE and FREEZER at the same time for 3 seconds. The °C will disappear from the Temperature display.



# REFRIGERATOR USE

## TEMPERATURE CONTROLS

The temperature range for the refrigerator compartment is 34°F to 42°F (1°C to 6°C). The temperature range for the freezer compartment is -6°F to 4°F (-21°C to -16°C). The temperature range for the My Zone compartment is 27°F to 41°F (-3°C to 5°C).

The refrigerator and My Zone compartments are preset to the recommended temperature of 37°F (3°C) and the freezer compartment is preset to the recommended temperature of 0°F (-18°C). When the refrigerator is first plugged in, the display will show the recommended temperature settings.

### IMPORTANT:

- The recommended setting should be correct for normal household refrigerator use.
- When the refrigerator is first turned on, it may take up to 12 hours to cool to the preset temperatures. Wait 24 hours for your refrigerator to cool completely before adding food. If you add food before the refrigerator has cooled completely, your food may spoil.
- If the temperature is too warm or too cold in the refrigerator or freezer, first check the air vents to be sure they are not blocked before adjusting the controls.

### Adjusting Controls

Except when first turning on the refrigerator, do not adjust either temperature more than one degree at a time. Wait 24 hours between adjustments for the temperature to stabilize.

**NOTE:** The temperature cannot be adjusted if any other control function such as Quick Freeze, Quick Cool or Sabbath Mode is activated, or the Control Panel is locked. The corresponding indicator will illuminate and a tone will sound.

### To Adjust the Refrigerator Temperature:

1. If locked, unlock the control panel by pressing and holding LOCK for 3 seconds.
2. Press Fridge to adjust the temperature.



**NOTE:** The temperature increases by one degree and a tone sounds with each press of the button. After 5 seconds have passed with no button being pressed the temperature setting confirms automatically.

### To Adjust the Freezer Temperature:

1. If locked, unlock the control panel by pressing and holding LOCK for 3 seconds.

2. Press the Freezer button to adjust the temperature.



**NOTE:** The temperature decreases by one degree and a tone sounds with each press of the button. After 5 seconds have passed with no button being pressed the temperature setting confirms automatically.

### To Adjust the My Zone Temperature:

1. If locked, unlock the control panel by pressing and holding LOCK for 3 seconds.
2. Press MY ZONE to adjust the temperature.

#### NOTES:

- The temperature increases by two degrees F (one degree C) and a tone sounds with each press of the control.
- The temperature in the My Zone compartment cannot be set warmer than the temperature of the refrigerator compartment.



3. Press any control except My Zone to confirm. The indicator light will stop flashing.

**NOTE:** Temperature setting will confirm automatically after 5 seconds have passed.

Setting	Description
35°F - 41°F (2°C - 5°C)	<b>Fruits and Vegetables</b> Suitable to store fruits and vegetables
27°F (-3°C)	<b>Defrost Food or Rapid Cool</b> Suitable to defrost frozen food or rapidly cool beverages
29°F - 35°F (-2°C - 2°C)	<b>Meats</b> Suitable to store fresh fish, meat and cooked food for 1 to 2 days.

# REFRIGERATOR USE

## QUICK COOL

The Quick Cool feature accelerates the cooling of fresh food and protects the foods already stored from undesirable warming.

1. If locked, unlock the control panel by pressing and holding LOCK for 3 seconds.



2. Press the Quick Cool button. The Quick Cool indicators will illuminate.



3. Repeat steps 1 and 2 to manually turn off the Quick Cool feature.

**NOTE:** Quick Cool will automatically turn off after 3 hours.

## QUICK FREEZE

The Quick Freeze function accelerates the freezing of fresh food and protects frozen food from undesirable warming. If you need to freeze a large amount of food, it is recommended to select the Quick Freeze feature a few hours in advance.

1. If locked, unlock the control panel by pressing and holding LOCK for 3 seconds.



2. Press the Quick Freeze button. The Quick Freeze indicators will illuminate.



3. Repeat steps 1 and 2 to manually turn off the Quick Freeze feature.

**NOTE:** Quick Freeze will automatically turn off after 24 hours.

## SABBATH

The Sabbath function is designed for those whose religious observances require turning off the lights. All interior lights and alarms will be disabled.

1. If locked, unlock the control panel by pressing and holding LOCK for 3 seconds.
2. Press and hold SABBATH for 3 seconds until the Sabbath indicator illuminates.

### NOTES:

- All alert tones and lights are deactivated.
- If Quick Cool and/or Quick Freeze was on, Sabbath mode turns off these features automatically.
- The Control Panel will remain unlocked while in Sabbath mode.



3. To deselect Sabbath mode, press and hold SABBATH for 3 seconds.

### Important information to know about glass shelves and covers:

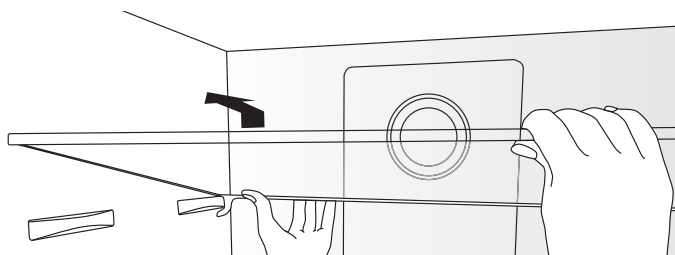
Do not clean glass shelves or covers with warm water when they are cold. Shelves and covers may break if exposed to sudden temperature changes or impact, such as bumping. Tempered glass is designed to shatter into many small, pebblesize pieces. This is normal. Glass shelves and covers are heavy. Use both hands when removing them to avoid dropping.

## FEATURES

### ADJUSTABLE SHELVES

The height of the shelves can be adjusted to fit your storage needs.

1. To remove a shelf, lift up on both the front and back edge to disengage the shelf hooks from the shelf supports along the refrigerator wall and pull it out.



2. To reinstall a shelf, rest the shelf on both the front and rear supports. Push the shelf toward the rear of the refrigerator until the back of the shelf hooks around the rear shelf supports.

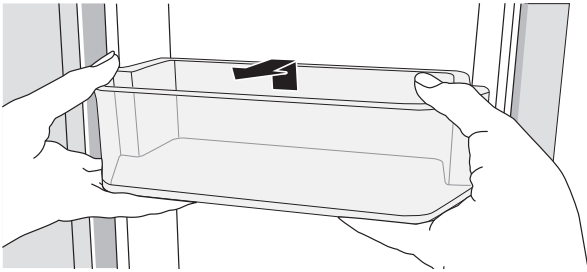


# REFRIGERATOR USE

## REMOVABLE DOOR BINS

To Remove/Replace a Door Bin:

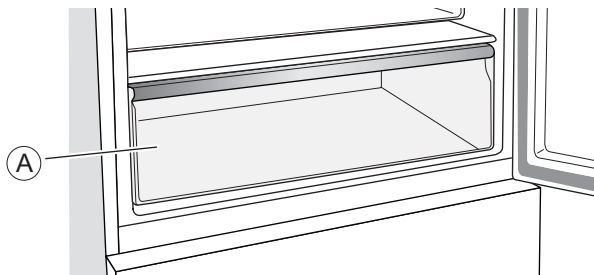
1. Place hands on both sides of the bin and lift upward, and pull out.
2. Replace the door bin by inserting it above the support and press down to engage.



## MY ZONE DRAWER

The My Zone compartment allows you to store temperature sensitive foods at the correct temperature to ensure optimal nutritional value.

**NOTE:** My Zone is not recommended for the storage of cheese or cold-sensitive fruits and vegetables such as avocados, bananas, potatoes, cucumbers, tomatoes.



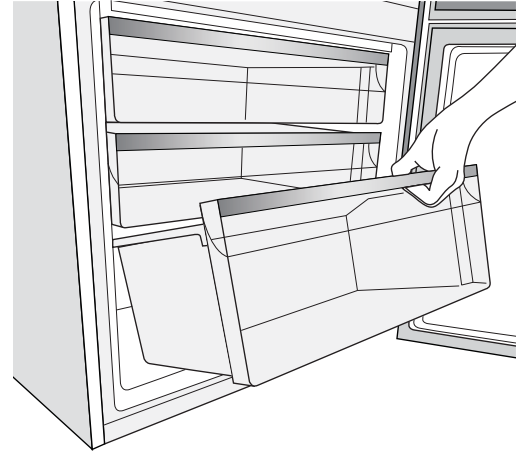
Ⓐ My Zone Drawer

## REMOVABLE FREEZER STORAGE DRAWERS

**IMPORTANT:** Do not overload the drawers.

To Remove and Replace a Freezer Drawer:

1. Remove the freezer draw by extending the drawer fully, and then lift up on the drawer and pull out to remove.



2. Replace the drawer by tilting the back of the drawer downward onto the support and sliding it in.

# REFRIGERATOR CARE

## CLEANING

Both the refrigerator and freezer sections defrost automatically. However, clean both sections about once a month to avoid buildup of odors. Wipe up spills immediately.

Because air circulates between both sections, any odors formed in one section will transfer to the other. You must thoroughly clean both sections to eliminate odors. To avoid odor transfer and drying out of food, wrap or cover foods tightly.

### IMPORTANT:

- Do not use harsh chemicals, ammonia, chlorine bleach, concentrated detergent, solvents, abrasives or metal scouring pads to clean your refrigerator inside or out. They can damage and/or discolor the refrigerator finish.
- Do not use warm water to clean glass shelves while they are still cold. Glass may break when exposed to sudden temperature changes or impact.

## ⚠ WARNING



### Electrical Shock Hazard

Plug into a grounded 3 prong outlet.  
Do not remove the ground prong from the power cord plug.  
Do not use an adapter.  
Do not use an extension cord.  
Failure to do so can result in death, fire or electrical shock.

1. Unplug refrigerator or disconnect power.
2. Clean the interior. Hand wash, rinse, and dry removable parts and interior surfaces thoroughly. Use a clean sponge or soft cloth and a mild detergent in warm water.
3. Clean the exterior surfaces.

**Painted metal:** Wash painted metal exteriors with a clean, soft cloth or sponge and a mild detergent in warm water. Rinse surfaces with clean, warm water and dry immediately to avoid water spots.

**Stainless steel:** Stainless steel is corrosion resistant and not corrosion-proof. To help avoid corrosion of your stainless steel, wash stainless steel surfaces with a clean, soft cloth or sponge and a mild detergent in warm water. Rinse surfaces with clean, warm water and dry immediately to avoid water spots.

**NOTE:** When cleaning stainless steel, always wipe in the direction of the grain to avoid cross-grain scratching.

4. Plug in refrigerator or reconnect power.

# REFRIGERATOR CARE

## LIGHTS

The interior lights of the refrigerator turn off when the doors are open for more than 7 minutes.

**IMPORTANT:** Your refrigerator is equipped with LED lighting. These lights are designed to last for the life of your refrigerator. However, if the lights stop operating, please contact a qualified technician for replacement.

## VACATION AND MOVING CARE

### VACATION

#### If You Choose to Leave the Refrigerator On While You're Away:

1. Use up any perishables and freeze other items.

#### If You Choose to Turn Off the Refrigerator Before You Leave:

1. Remove all food from the refrigerator and freezer.
2. Unplug refrigerator or disconnect power.
3. Clean refrigerator, wipe it, and dry well.
4. Tape rubber or wood blocks to the tops of both doors to prop them open far enough for air to get in. This stops odor and mold from building up.

## MOVING

### ⚠ WARNING

#### Excessive Weight Hazard

**Use two or more people to move and install refrigerator. Failure to do so can result in back or other injury.**

When you are moving your refrigerator to a new home, follow these steps to prepare it for the move.

1. Remove all food from the refrigerator and pack all frozen food in dry ice.
2. Unplug refrigerator.
3. Clean, wipe, and dry thoroughly.
4. Take out all removable parts, wrap them well, and tape them together so they don't shift and rattle during the move.
5. Raise the leveling legs so they don't scrape the floor. See "Leveling."
6. Tape the doors closed and tape the power cord to the back of the refrigerator.
7. When you get to your new home, replace removable parts. Refer to the "Installation Instructions" section to prepare the refrigerator for use.

## REINSTALLING/USING REFRIGERATOR AGAIN

If the refrigerator has been placed in a horizontal or tilted position for any period of time wait 24 hours before plugging it in to allow the refrigerant to settle.

1. Clean refrigerator. See "Cleaning."
2. Place refrigerator in desired location and level. See "Installation Instructions."

# TROUBLESHOOTING

First try the solutions suggested here to possibly avoid the cost of a service call.

## REFRIGERATOR IS NOT OPERATING

PROBLEM	POSSIBLE CAUSE(S)	SOLUTION
<b>Refrigerator does not run.</b>	Refrigerator is unplugged.	Plug into a grounded 3 prong outlet.
	Breaker is tripped or turned off / Fuse is blown.	Reset / Turn on breaker or replace fuse.
	Refrigerator is in defrost mode.	Wait approximately 40 minutes for defrost cycle to end, and the cooling system to restart.
<b>Refrigerator compress or runs frequently or for long periods of time.</b> <b>NOTE: This refrigerator is designed to run for longer periods of time at a lower energy usage.</b>	Refrigerator is first plugged in.	Allow 12 hours for the refrigerator to cool down.
	Warm food or large amounts of food added.	This is normal.
	Door is left open, or refrigerator is not level.	Ensure that door is not being held open by an item. Level the refrigerator. See "Leveling Refrigerator."
	Hot weather or frequent openings	This is normal.
	Temperature control set to coldest setting.	Adjust temperature to a warmer setting.
<b>Refrigerator has an odor.</b>	Food is not sealed or packaged properly.	Reseal packaging. Place an opened box of baking soda in the refrigerator, replace every 3 months.
	Interior needs to be cleaned.	Clean the interior. See "Cleaning."
	Food stored too long.	Dispose of spoiled food.
<b>Light does not come on.</b>	Refrigerator is unplugged.	Plug into a grounded 3 prong outlet.
	LED light is burned out.	Contact a qualified technician to replace the burned out LED.
	Sabbath Mode is activated.	Lights are disabled in Sabbath mode. To turn on lights you must turn off Sabbath Mode. See "Sabbath Mode" for instructions.
<b>Doors do not close properly.</b>	Refrigerator is not level.	See "Leveling."
	Something is obstructing door closure.	Check for and remove obstructions.
<b>Vibration or rattling</b>	Refrigerator is not resting firmly on floor.	See "Leveling."
<b>Normal Sounds</b>	It sounds like water is flowing from the refrigerator.	Refrigerant flowing in the lines will make this sound when the compressor starts and stops.
		The refrigerator has an automatic defrosting system. The defrosted water will make this sound.
	Humming or buzzing sounds	The compressor and fans for cold air circulation can make this sound. If the refrigerator is not level, the sound will be louder.
	Cracking or clicking sounds	The interior parts will make this sound as they contract and expand in response to temperature changes.

# TROUBLESHOOTING

## TEMPERATURE AND MOISTURE

PROBLEM	POSSIBLE CAUSE(S)	SOLUTION
<b>Refrigerator or freezer is too warm.</b>	Temperature control is not set low enough.	Adjust the compartment to a colder setting; allow 12 hours for the temperature to adjust.
	Door opened frequently or left ajar.	Limit door openings to maintain the internal temperature. / Check that an item is not preventing door from closing.
	Warm food added recently.	Allow time for food and refrigerator to cool.
	The space between the back of the refrigerator and the wall is too close.	Allow 2" (5 cm) space between the back of the refrigerator and the wall.
	Items against rear interior wall are blocking airflow.	Store items only inside the trim of the glass shelves; don't place items against sides of the compartments or directly in front of any vents.
<b>Refrigerator or freezer is too cold.</b>	Temperature control is set too low.	Adjust temperature in the compartment to the next warmer setting; allow 24 hours to adjust.
<b>Moisture on exterior/ interior of refrigerator</b>	High humidity	This is normal during times of high humidity. Dry surface and adjust temperature to slightly colder setting.
	Door opened frequently or left ajar.	Keep door closed. Check that a package is not preventing door from closing. Level the refrigerator. See "Leveling."
	Open container of liquid in refrigerator	Cover or seal container.
<b>Frost or ice crystals on frozen food</b>	Freezer door left open or opened frequently, or the refrigerator is not level.	Limit door openings to maintain the internal temperature. / Check that an item is not preventing door from closing. Level the refrigerator. See "Leveling."
	Items blocking freezer air vents are preventing proper air flow.	Move items away from rear wall.
<b>Food freezing in refrigerator</b>	Items placed too close to the air vents.	Move items away from back and top of the refrigerator.
	Temperature control set too cold.	Adjust the temperature to a less cold setting.

FOR MORE HELP, VISIT [HAIERAMERICA.COM](http://HAIERAMERICA.COM) OR CALL THE CONSUMER HELP LINE AT 1-877-337-3639.

# LIMITED WARRANTY

## 12 Months on Parts and Labor

For 12 months from the date of original retail purchase, GE Appliances will replace any part of the refrigerator that fails due to a defect in materials or workmanship. GE Appliances will choose, at its discretion, to replace or service the defective unit. Should GE Appliances decide to service the unit, GE Appliances will provide any part which fails due to a defect in materials or workmanship free of charge, along with any labor and related service costs to replace the defective part. During this period, should GE Appliances choose to replace the unit, it may do so by providing you with a certificate redeemable at a retailer for a replacement product.

Product must be accessible, without encumbrance and installed properly to receive warranty repair service.

**NOTE:** This warranty commences on the date the item was purchased, and the original purchase receipt must be presented to the authorized service representative before warranty repairs are rendered.

### FOR WARRANTY SERVICE

**For US Customers,** all warranty service must be provided by our Factory Service Centers, or an authorized Customer Care technician. To schedule service, visit [HaierAppliances.com](http://HaierAppliances.com). In Canada, visit [HaierAppliances.ca](http://HaierAppliances.ca).

Please have serial number and model number available when calling for service.

**EXCLUSION OF IMPLIED WARRANTIES - Your sole and exclusive remedy is product repair as provided in this Limited Warranty. Any implied warranties, including the implied warranties of merchantability or fitness for a particular purpose, are limited to one year or the shortest period allowed by law.**

**For US Customers:** This warranty is extended to the original purchaser and any succeeding owner for products purchased for home use within the USA. If the product is located in an area where service by a GE Appliances Authorized Servicer is not available, you may be responsible for a trip charge or you may be required to bring the product to an Authorized GE Appliances Service location for service. In Alaska, the warranty excludes the cost of shipping or service calls to your home.

Some states do not allow the exclusion or limitation of incidental or consequential damages. This warranty gives you specific legal rights, and you may also have other rights which vary from state to state. To know what your legal rights are, consult your local or state consumer affairs office or your state's Attorney General.

**Warrantor US:**  
**GE Appliances, a Haier company**  
**Louisville, KY 40225**

**For Customers in Canada:** This warranty is extended to the original purchaser and any succeeding owner for products purchased in Canada for home use within Canada. In-home warranty service will be provided in areas where it is available and deemed reasonable by Mabe to provide.

**Warrantor Canada:**  
**MC Commercial, Inc., Burlington, Ontario, L7R 5B6**

## What is not covered by this warranty:

Service trips to your home to teach you how to use the product.

Improper installation, delivery or maintenance.

Failure of the product if it is abused, misused, or used for other than the intended purpose or used commercially.

Loss of food due to spoilage.

Damage caused after delivery.

Replacement of house fuses or resetting of circuit breakers.

Replacement of the light bulbs.

Damage to the product caused by accident, fire, floods or acts of God.

Incidental or consequential damage caused by possible defects with this appliance.

Product not accessible to provide required service.

Associated costs when GE Appliances chooses to issue the consumer a certificate as a form of product replacement.

Damage to finish, such as surface rust, tarnish, or small blemishes not reported within 48 hours of delivery.

Products which are not defective, broken, or which are working as described in the owner's manual.

# NOTES

# NOTES



# TABLE DES MATIÈRES

<b>SÉCURITÉ DU RÉFRIGÉRATEUR .....</b>	<b>26</b>
<b>PIÈCES ET CARACTÉRISTIQUES .....</b>	<b>28</b>
<b>EXIGENCES D'INSTALLATION .....</b>	<b>29</b>
Exigences d'emplacement .....	29
Exigences électriques.....	29
<b>INSTRUCTIONS D'INSTALLATION .....</b>	<b>30</b>
Étape 1 – Déballage du réfrigérateur .....	30
Étape 2 – Inversion du sens d'ouverture des portes .....	30
Étape 3 – Achever l'installation .....	35
Étape 4 – Nivellement et ajustement des portes.....	35
<b>UTILISATION DU RÉFRIGÉRATEUR .....</b>	<b>36</b>
Utilisation des commandes .....	36
Caractéristiques .....	38
<b>ENTRETIEN DU RÉFRIGÉRATEUR .....</b>	<b>40</b>
Nettoyage.....	40
Éclairage .....	41
Précautions à prendre pour les vacances ou le déménagement.....	41
Réinstallation/Réutilisation du réfrigérateur.....	41
<b>DÉPANNAGE .....</b>	<b>42</b>
<b>GARANTIE LIMITÉE.....</b>	<b>44</b>

# REFRIGERATOR SAFETY

## CONSIGNES DE SÉCURITÉ IMPORTANTES

**⚠ AVERTISSEMENT** Pour réduire le risque d'incendie, d'explosion, de choc électrique ou de blessures lorsque vous utilisez votre réfrigérateur, veuillez suivre ces consignes de sécurité :

- Ce réfrigérateur doit être correctement installé conformément aux Consignes d'Installation avant toute utilisation.
- Débranchez le réfrigérateur avant d'effectuer une réparation, de remplacer une ampoule ou de le nettoyer.  
REMARQUE : L'alimentation du réfrigérateur ne peut être déconnectée par aucune des fonctions sur le panneau de commande.  
REMARQUE : Les réparations doivent être effectuées par un professionnel qualifié.
- Remettez toutes les pièces et panneaux en place avant d'utiliser l'appareil.
- Ne pas utiliser de rallonge.
- Ne stockez pas ou n'utilisez pas d'essence ou d'autres vapeurs et liquides inflammables à proximité de cet appareil ou de tout autre appareil électroménager.
- N'entreposez pas dans cet électroménager des substances explosives telles que des bombes aérosols qui contiennent un gaz propulseur.
- Avant de jeter l'appareil ou de le rendre inutilisable, retirer la porte. Cela réduira la possibilité de danger pour les enfants.
- Afin de prévenir les accidents graves ou la mort, les enfants ne doivent pas se tenir ni jouer dans ou sur l'électroménager.
- Les enfants et les personnes dont les capacités sont réduites sur le plan physique, sensoriel ou mental, ou qui manquent d'expérience ou de connaissances, peuvent utiliser cet électroménager seulement si elles sont surveillées ou ont reçues des consignes de sécurité sur son usage et les risques y sont associés.
- Cet électroménager est conçu pour une utilisation domestique et applications similaires : salle du personnel dans une usine, un bureau ou d'autres lieux de travail; maison de ferme; clients dans un hôtel, un motel, un gîte touristique et d'autres lieux résidentiels; approvisionnement et applications similaires non reliées au commerce de détail.
- N'appliquez pas de nettoyant puissant sur le réfrigérateur. Certains nettoyants endommageront le plastique, ce qui fera en sorte que des pièces comme la porte ou les poignées de porte se détachent de façon inattendue. Consultez la section Soins et nettoyage de votre guide de l'utilisateur pour obtenir des renseignements détaillés.

**⚠ ATTENTION** Pour réduire le risque de blessures lorsque vous utilisez votre réfrigérateur, veuillez suivre ces consignes de sécurité.

- Ne nettoyez pas les clayettes ou les couvercles en verre avec de l'eau tiède quand ceux-ci sont froids. Les clayettes et couvercles en verre peuvent se casser s'ils sont exposés à des changements soudains de température ou si vous les cognez ou les faites tomber. Le verre trempé est conçu pour se briser en petits morceaux en cas de casse.
- Éloignez les doigts des parties du congélateur où l'on peut facilement se pincer : les espaces entre les portes, et entre les portes et les placards sont toujours étroits. Soyez prudent lorsque vous fermez les portes en présence d'enfants.
- Ne touchez pas les surfaces froides du congélateur lorsque vous avez les mains humides ou mouillées. La peau risque d'adhérer à ces surfaces extrêmement froides.
- Ne recongelez pas les aliments surgelés qui ont complètement dégelé.
- Dans les réfrigérateurs munis d'une machine à glaçons automatique, évitez le contact avec les pièces mobiles du mécanisme d'éjecteur ou avec les éléments chauffants qui libèrent les glaçons. Ne mettez pas les doigts ou les mains dans le mécanisme de fabrication de glaçons pendant que le réfrigérateur est branché.

## **⚠ WARNING** **RISQUE D'EXPLOSION Réfrigérant inflammable**

**Cet appareil contient du réfrigérant à l'isobutane, R600a, un gaz naturel ayant une haute compatibilité environnementale. Cependant, il est aussi très combustible. Conformez-vous aux avertissements ci-dessous pour réduire le risque de blessures ou de dommages matériels.**

1. Lorsque vous manipulez, installez et utilisez l'appareil, vous devez prendre soin d'éviter les dommages aux tubes de réfrigérant.
2. Le service doit être effectué uniquement par du personnel d'entretien autorisé. Utilisez uniquement des pièces de rechange autorisées par le fabricant.
3. Éliminez le réfrigérateur conformément aux règlements fédéraux et régionaux. Le réfrigérant inflammable et le matériau d'isolation utilisés nécessitent des procédures d'élimination particulières. Contactez vos autorités régionales pour savoir comment éliminer de façon sécuritaire votre réfrigérateur.
4. Maintenez les ouvertures de ventilation des enveloppes d'appareil ou de la structure, exemptes d'obstruction.
5. N'utilisez pas de dispositifs mécaniques ou d'autres moyens pour accélérer le processus de dégivrage.
6. N'endommagez pas le circuit de réfrigérant.
7. N'utilisez pas d'appareils électriques à l'intérieur du compartiment de stockage d'aliments de l'appareil.

# REFRIGERATOR SAFETY

## CONNEXION DE L'ÉLECTRICITÉ

### ⚠ AVERTISSEMENT



### RISQUE DE DÉCHARGES ÉLECTRIQUES

Procédez au branchement dans une prise à trois broches mise à la terre  
N'enlevez pas la broche de mise à la terre  
N'utilisez pas d'adaptateur

N'utilisez pas de rallonge.  
La non-observation de ces instructions pourrait entraîner la mort, un incendie ou une décharge électrique.

**N'enlevez sous aucune circonstance la troisième broche (mise à la terre) du cordon d'alimentation. Pour des raisons de sécurité personnelle, cet appareil doit être correctement mis à la terre.**

Le cordon d'alimentation de cet appareil est équipé d'une fiche à trois broches (mise à la terre) qui correspond à une prise électrique murale standard pour recevoir trois broches (mise à la terre) afin de minimiser la possibilité de décharge électrique provoquée par cet appareil.

Faites vérifier la prise murale et le circuit par un électricien professionnel pour vous assurer que la prise est correctement mise à la terre.

Si la prise murale est destinée à une fiche à deux broches standard, vous avez la responsabilité et l'obligation de la faire remplacer par une prise murale à trois broches correctement mise à la terre. N'utilisez pas d'adaptateur.

Le réfrigérateur doit toujours être branché dans sa propre prise électrique disposant d'une tension nominale correspondant à la plaque signalétique.

Une alimentation électrique mise à la terre de 115 VCA, 60 Hz avec fusible de 15 ou 20 A est requise. Ceci offre la meilleure performance et évite aussi la surcharge des circuits de câblage de la maison qui pourrait provoquer un danger d'incendie en raison de la surchauffe des fils.

Ne débranchez jamais votre réfrigérateur en tirant sur le cordon d'alimentation. Empoignez toujours fermement la fiche et tirez-la en ligne droite hors de la prise.

Cessez immédiatement d'utiliser tout cordon d'alimentation endommagé. Si le cordon d'alimentation est endommagé, il doit être remplacé par un professionnel de l'entretien qualifié avec une pièce de rechange autorisée par le fabricant.

Lorsque vous éloignez le réfrigérateur du mur, prenez soin de ne pas rouler sur le cordon ou de l'endommager.

## MISE AU REBUT APPROPRIÉE DE VOTRE ANCIEN APPAREILS ÉLECTROMÉNAGERS

### ⚠ AVERTISSEMENT

### RISQUE DE SUFFOQUER OU D'Y ÊTRE EMPRISONNÉ

Le non-respect de ces instructions d'élimination peut entraîner la mort ou des blessures graves.

**IMPORTANT:** Les enfants pris au piège ou morts d'asphyxie sont toujours d'actualité. Les appareils électroménagers abandonnés sont toujours aussi dangereux, même si on n'attend que «quelques jours» pour s'en débarrasser. Si vous ne gardez pas votre ancien appareils électroménagers, veuillez suivre les

directives ci-dessous afin de prévenir les accidents.

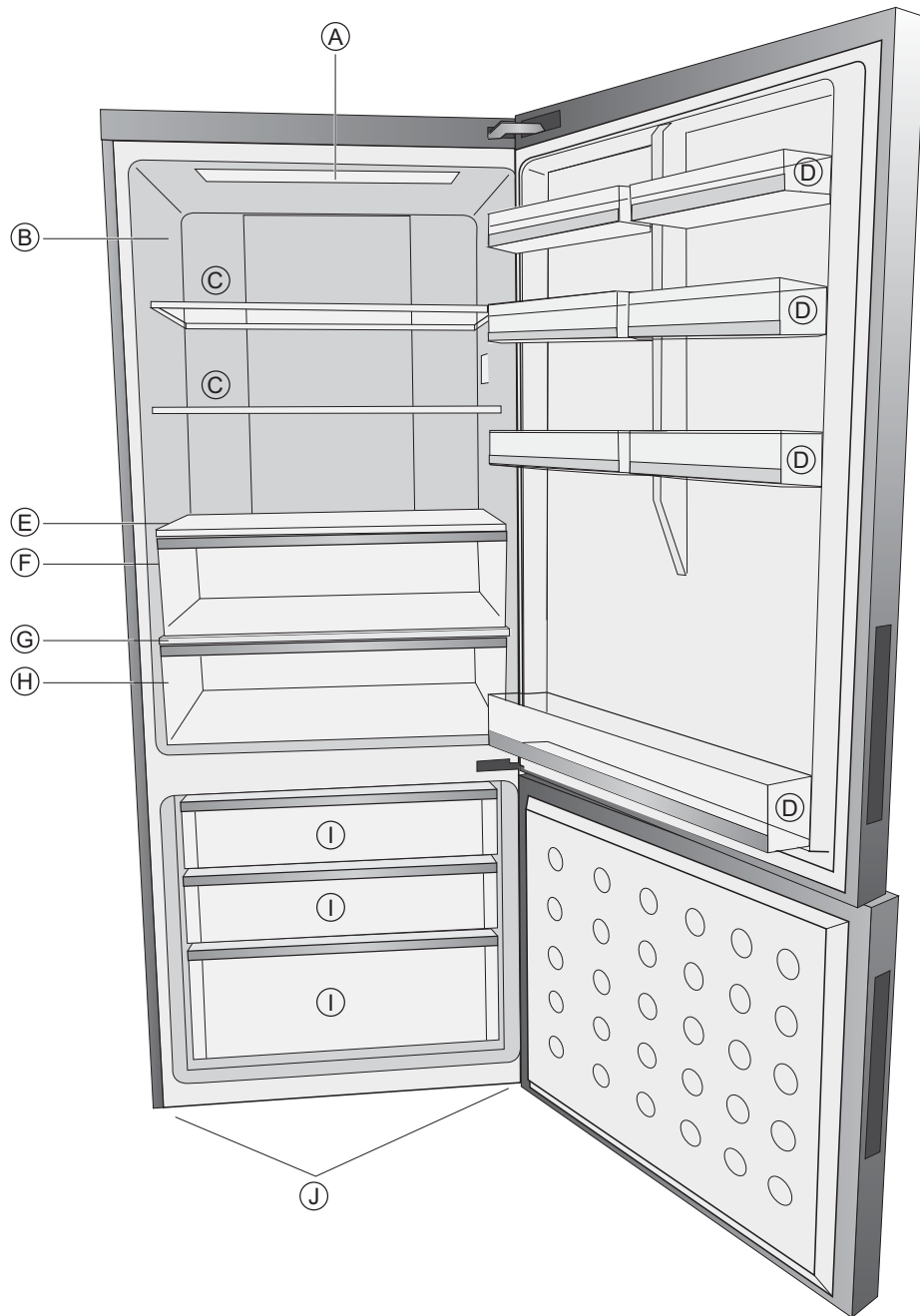
#### Avant de vous débarrasser de votre ancien appareil

- Enlevez les portes du réfrigérateur et du congélateur.
- Laisser les tablettes en place de sorte que les enfants ne puissent pas y pénétrer facilement.

#### Mise au rebut des produits réfrigérants et en mousse:

Mettez l'électroménager au rebut conformément à la réglementation fédérale et locale. Le fluide frigorigène inflammable et le matériel isolant utilisés nécessitent des procédures de mise au rebut spéciales. Communiquez avec les autorités locales pour connaître la façon de mettre votre électroménager au rebut qui soit respectueuse de l'environnement.

# PIÈCES ET CARACTÉRISTIQUES



- Ⓐ Éclairage DEL
- Ⓑ Plaque signalétique
- Ⓒ Clayettes en verre (2)
- Ⓓ Balconnets de porte du réfrigérateur (7)
- Ⓔ Pieds de nivellement ajustables (2)
- Ⓔ Tiroir du réfrigérateur
- Ⓒ Couvercle du compartiment My Zone
- Ⓓ Tiroirs du compartiment My zone
- Ⓘ Tiroirs de rangement du congélateur (3)

# EXIGENCES D'INSTALLATION

## EXIGENCES D'EMPLACEMENT

### ⚠ AVERTISSEMENT



#### Risque d'explosion ou incendie

Garder les matériaux et les vapeurs inflammables, telles que l'essence, loin de l'appareil.

Le non-respect de cette instruction peut causer un décès, une explosion ou un incendie.

**IMPORTANT:** Ce réfrigérateur est conçu pour un usage domestique, à l'intérieur uniquement.

Pour obtenir une aération appropriée pour votre réfrigérateur, laisser un espace de 1" (2,54 cm) de chaque côté et au sommet. Laisser un espace de 2" (5,08 cm) derrière le réfrigérateur. En cas d'installation du réfrigérateur près d'une cloison fixe, laisser un minimum de 4" (10 cm) pour permettre à la porte de s'ouvrir sans obstruction.

**REMARQUE :** Ce réfrigérateur est conçu pour être utilisé dans un endroit où la température est comprise entre un minimum de 55°F (13°C) et un maximum de 110°F (43°C). La plage de température ambiante idéale pour une performance optimale est comprise entre 60°F (15°C) et 90°F (32°C). Respecter cette plage de température permet aussi de réduire la consommation d'électricité et d'optimiser l'efficacité du refroidissement. Il est recommandé de ne pas installer le réfrigérateur près d'une quelconque source de chaleur, telle qu'un four ou un radiateur.

## SPÉCIFICATIONS ÉLECTRIQUES

### ⚠ WARNING



#### Risque de choc électrique

Brancher sur une prise à 3 alvéoles reliée à la terre.

Ne pas enlever la broche de liaison à la terre du cordon d'alimentation.

Ne pas utiliser un adaptateur.

Ne pas utiliser un câble de rallonge.

Le non-respect de cette instruction pourrait causer un décès, un incendie ou un choc électrique.

Avant de déplacer le réfrigérateur à son emplacement final, il est important de vous assurer d'avoir le raccordement électrique approprié.

#### Méthode recommandée de liaison à la terre

Chaque appareil doit être alimenté par un circuit 115 volts (CA seulement, 60 Hz) relié à la terre et protégé par un fusible de capacité 15 A ou 20 A. Il est recommandé d'utiliser un circuit distinct pour alimenter le réfrigérateur uniquement. Utiliser une prise de courant dont l'alimentation ne peut pas être interrompue par un interrupteur. Ne pas utiliser de rallonge.

**REMARQUE :** Avant d'exécuter tout type d'installation, nettoyage ou remplacement d'une ampoule d'éclairage, déconnecter le réfrigérateur de la source de courant électrique. Une fois l'opération terminée, reconnecter le réfrigérateur à la source de courant électrique et remettre les commandes de température au réglage désiré.

# INSTRUCTIONS D'INSTALLATION

## ÉTAPE 1 - DÉBALLAGE DU RÉFRIGÉRATEUR

### ⚠ WARNING

#### Risque du poids excessif

Utiliser deux ou plus de personnes pour déplacer et installer le réfrigérateur.

Le non-respect de cette instruction peut causer une blessure au dos ou d'autres blessures.

**IMPORTANT:** Manipuler le réfrigérateur avec précautions lorsqu'il est déplacé soit pour éviter d'endommager le circuit frigorifique, soit pour diminuer le risque de fuites.

## RETRAIT DES MATÉRIEAUX D'EMBALLAGE

- Enlever tout résidu de ruban adhésif et de colle des surfaces du réfrigérateur avant de le mettre en marche. Frotter une petite quantité de savon liquide à vaisselle sur l'adhésif avec les doigts. Rincer à l'eau tiède et sécher.
- Ne pas utiliser d'instruments coupants, d'alcool à friction, de liquides inflammables ou de nettoyants abrasifs pour enlever le ruban adhésif ou la colle. Ces produits peuvent endommager la surface du réfrigérateur. Pour plus de renseignements, voir "Sécurité du réfrigérateur".
- Jeter/recycler tous les matériaux d'emballage.

## Lors du déplacement de votre réfrigérateur :

Votre réfrigérateur est lourd. Lors du déplacement de votre réfrigérateur pour le nettoyage ou un entretien ou réparation, veiller à recouvrir le plancher avec du carton ou un panneau de fibre dur pour éviter qu'il ne subisse tout dommage. Toujours tirer le réfrigérateur tout droit lors du déplacement. Ne pas incliner le réfrigérateur d'un côté ou de l'autre ni le "faire marcher" en essayant de le déplacer car le sol pourrait être endommagé.

## NETTOYAGE AVANT UTILISATION

Après avoir enlevé tous les matériaux d'emballage, nettoyer l'intérieur du réfrigérateur avant de l'utiliser. Voir les instructions de nettoyage dans "Entretien du réfrigérateur".

## Informations importantes à propos des tablettes et des couvercles en verre :

Ne pas nettoyer les tablettes ou les couvercles de verre avec de l'eau tiède lorsqu'ils sont froids. Les tablettes et couvercles peuvent se briser s'ils sont exposés à des changements de températures ou impacts soudains, tels qu'une chute. Le verre trempé est conçu pour se briser en de multiples petits morceaux de la taille de gravillons. Ceci est normal. Les tablettes en verre et les couvercles sont lourds. Les retirer à deux mains pour éviter de les faire tomber.

## ÉTAPE 2 - INVERSION DU SENS D'OUVERTURE DES PORTES (FACULTATIF)

Les charnières des portes ont été installées à l'usine sur le côté droit de l'appareil. Si l'on souhaite que les portes s'ouvrent sur le côté opposé, le sens d'ouverture de la porte peut alors être inversé.

### IMPORTANT:

- Avant de commencer, débrancher le réfrigérateur ou déconnecter la source de courant électrique.
- Enlever les aliments et les balconnets de la porte du réfrigérateur.
- Les charnières de porte sont spécifiquement conçues pour une ouverture sur la droite ou sur la gauche. Remplacer les charnières pour une ouverture sur la droite par les charnières pour une ouverture sur la gauche fournies dans le sachet de pièces. Après leur retrait, garder les charnières pour ouverture sur la droite au cas où vous auriez ultérieurement besoin d'inverser le sens d'ouverture de la porte.

### Pièces fournies :

- Charnière supérieure
- Charnière centrale
- Charnière inférieure

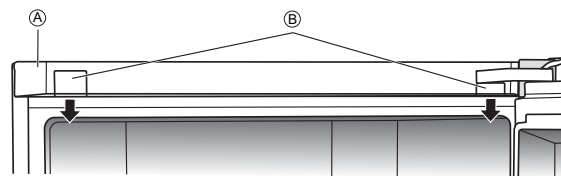
### Outils nécessaires :

- Tournevis à lame plate
- Tournevis Phillips
- Clé à douille de 8 mm

## RETRAIT ET INVERSION DU SENS D'OUVERTURE DE LA PORTE DU RÉFRIGÉRATEUR

1. Débrancher le réfrigérateur ou déconnecter la source de courant électrique.
2. Tirer vers le bas pour retirer les caches des vis de charnière du couvercle du logement des câbles électriques.

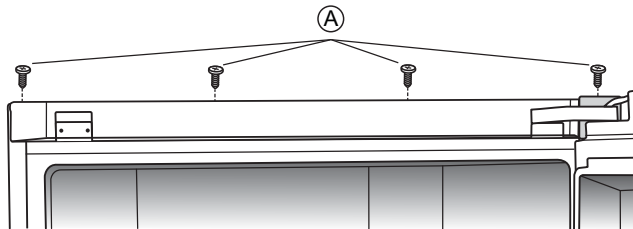
**REMARQUE:** Le couvercle du logement des câbles électriques s'étend sur toute la largeur, au sommet de la caisse de l'appareil.



(A) Couvercle du logement des câbles électriques (B) Cache-vis de charnière

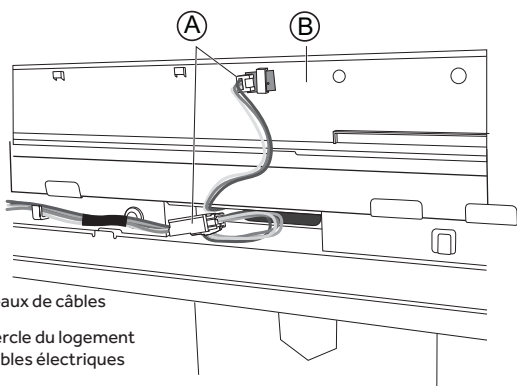
# INSTRUCTIONS D'INSTALLATION

3. À l'aide d'un tournevis Phillips, retirer les quatre vis fixant le couvercle du logement des câbles électriques au sommet de la caisse du réfrigérateur. Soulever le couvercle du logement des câbles électriques et le laisser reposer sur le dessus de la caisse.



(A) Vis

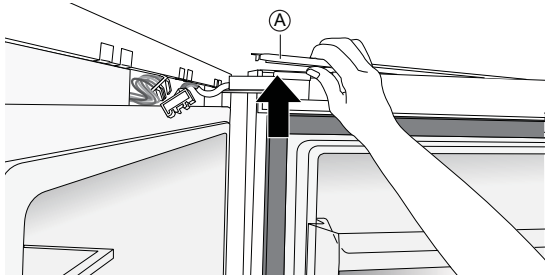
4. Débrancher les faisceaux de câbles électriques, en pinçant chaque extrémité, puis en les tirant délicatement pour les retirer. Mettre le couvercle du logement des câbles électriques de côté.



(A) Faisceaux de câbles

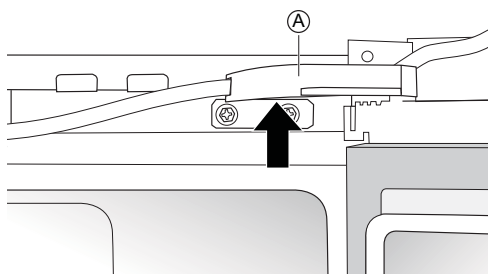
(B) Couvercle du logement des câbles électriques

5. En plaçant les pouces dans l'ouverture juxtaposée à la charnière, appuyer vers le haut sur la plaque supérieure pour la dégager et la retirer de la porte du réfrigérateur. Mettre la plaque supérieure de côté.



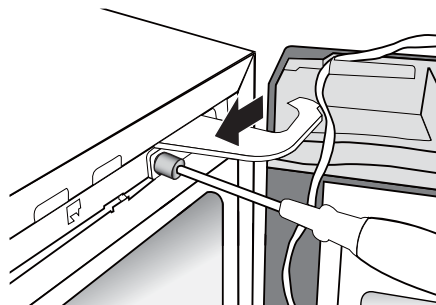
(A) Plaque supérieure

6. Soulever pour retirer le couvre-charnière, en le gardant pour une éventuelle utilisation ultérieure.



(A) Couvre-charnière

7. À l'aide d'une clé à douille de 8 mm, retirer les deux vis fixant la charnière supérieure à la caisse.

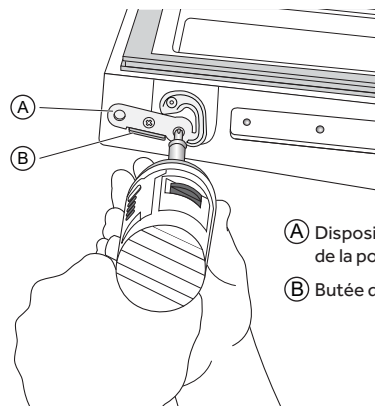


8. Faire glisser la charnière supérieure pour la dégager de la troisième vis sur la caisse, puis soulever pour retirer l'axe de la charnière de la porte.

**REMARQUE :** Garder la charnière supérieure pour une éventuelle utilisation ultérieure.

9. Soulever la porte du réfrigérateur de sorte de la dégager de la charnière centrale, puis coucher délicatement la porte sur une surface protégée.

10. À l'aide d'un tournevis Phillips, retirer le dispositif de fermeture en plastique de la porte, ainsi que la butée en métal au bas la porte.

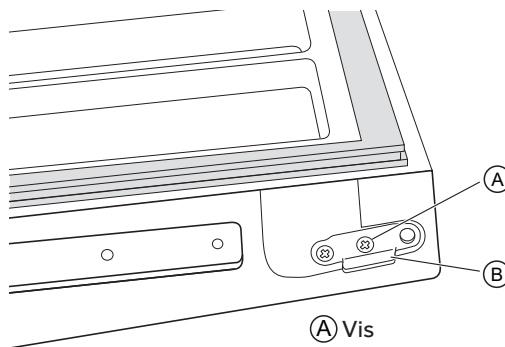


(A) Dispositif de fermeture de la porte

(B) Butée de porte

11. Enlever la vis du dispositif de fermeture de la porte, puis la réinstaller dans le trou duquel elle a été retirée.

12. Déplacer la butée de porte de l'autre côté. Insérer la vis dans le trou central, puis serrer.



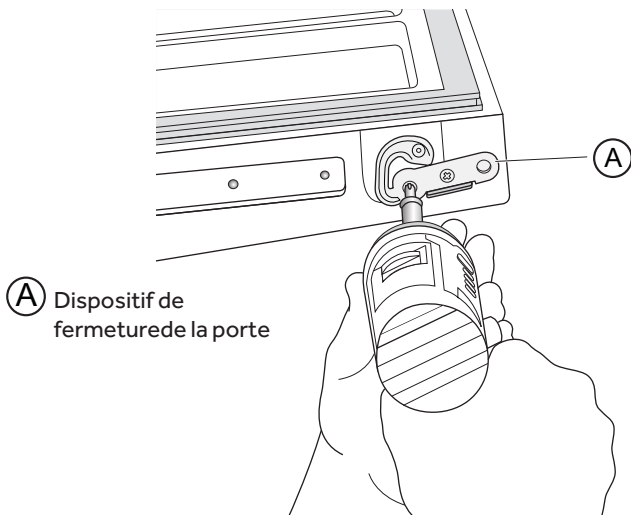
(A) Vis

(B) Butée de porte

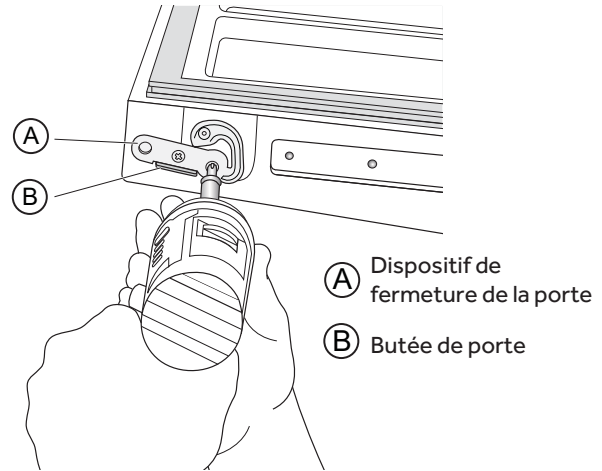
# INSTRUCTIONS D'INSTALLATION

13. Déplacer le dispositif de fermeture de la porte de l'autre côté  
Retourner le dispositif de fermeture de la porte de sorte que le côté incurvé de la fermeture soit orienté vers le centre de la porte.

14. Retirer la vis située le plus à l'intérieur. Placer le dispositif de fermeture par-dessus la vis de la butée de porte, puis serrer avec la vis située le plus à l'intérieur.

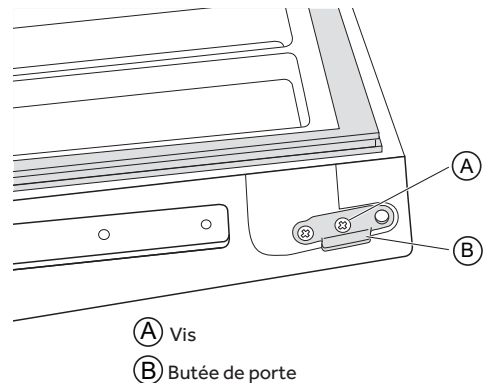


4. À l'aide d'un tournevis Phillips, retirer les deux vis fixant le dispositif de fermeture en plastique de la porte, ainsi que la butée en métal au bas la porte.



5. Enlever la vis du dispositif de fermeture de la porte, puis la réinstaller dans le trou duquel elle a été retirée.

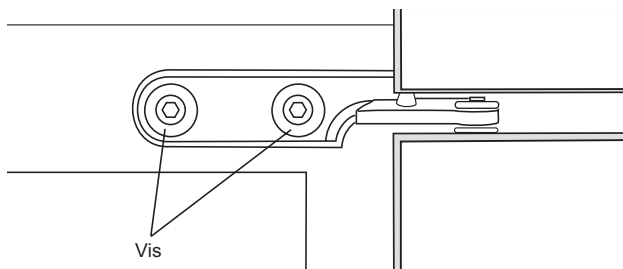
6. Déplacer la butée de porte de l'autre côté. Insérer la vis dans le trou central, puis serrer.



7. Déplacer le dispositif de fermeture de la porte de l'autre côté.  
Retourner le dispositif de fermeture de la porte de sorte que le côté incurvé de la fermeture soit orienté vers le centre de la porte.

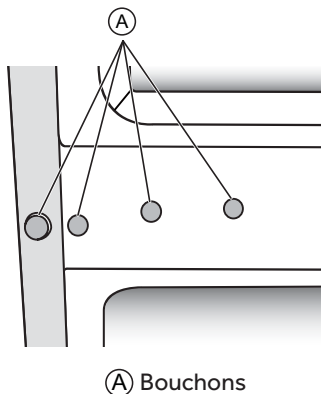
## RETRAIT ET INVERSION DU SENS D'OUVERTURE DE LA PORTE DU CONGÉLATEUR

1. Retirer les 2 vis fixant la charnière centrale au bas du compartiment de réfrigération. Retirer la charnière centrale, puis la mettre de côté pour une éventuelle utilisation ultérieure.



2. Soulever la porte du congélateur pour la dégager de la charnière inférieure.

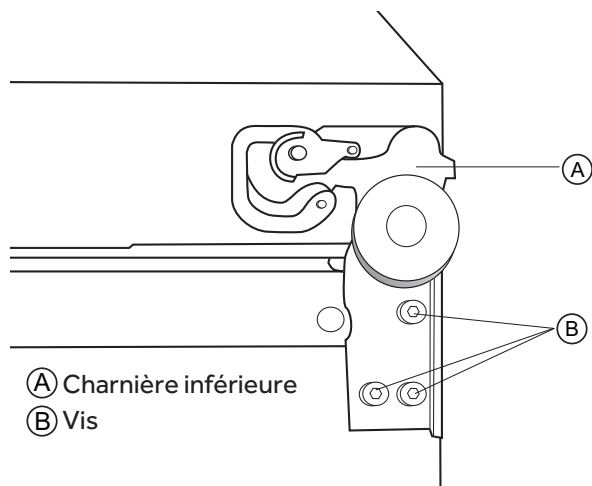
3. Déplacer les cache-orifices et la vis du côté opposé.





# INSTRUCTIONS D'INSTALLATION

8. Retirer la vis située le plus à l'intérieur. Placer le dispositif de fermeture par-dessus la vis de la butée de porte, puis serrer avec la vis située le plus à l'intérieur.



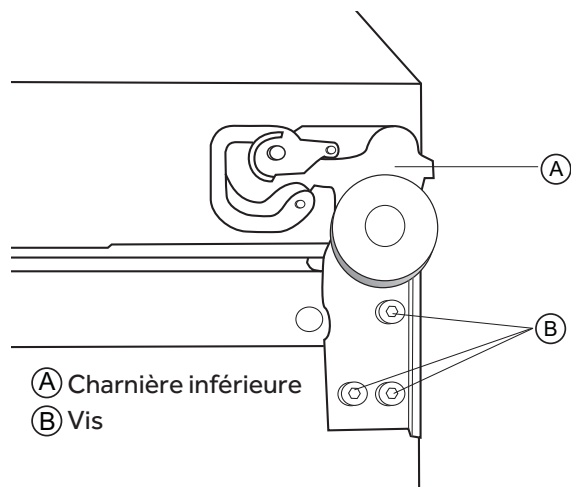
## ⚠ WARNING

### Risque du poids excessif

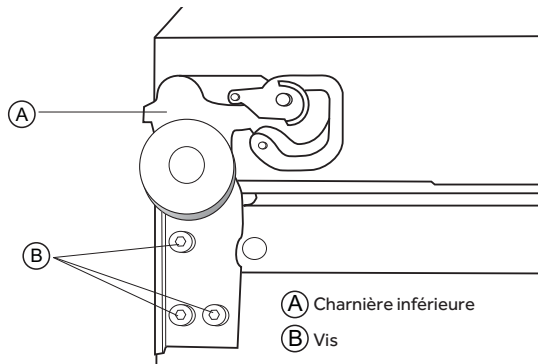
Utiliser deux ou plus de personnes pour déplacer et installer le réfrigérateur.

Le non-respect de cette instruction peut causer une blessure au dos ou d'autres blessures.

9. À deux personnes ou plus, coucher le réfrigérateur sur le sol.
10. Retirer les trois vis fixant la charnière inférieure à la caisse. Retirer la charnière inférieure, puis la mettre de côté pour une éventuelle utilisation ultérieure.

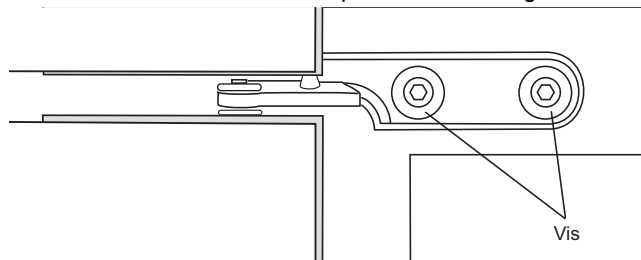


11. Sortir la nouvelle charnière inférieure du sachet d'accessoires. Au moyen des trois vis retirées précédemment, serrer la charnière inférieure sur le côté opposé de la caisse.

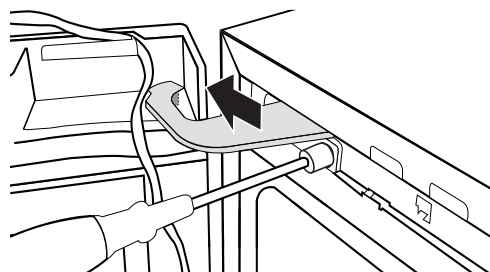


## RÉINSTALLATION DES PORTES

- Aligner le trou situé au bas de la porte du compartiment de congélation avec l'axe de la charnière, puis faire descendre délicatement la porte sur la charnière inférieure.
- Aligner le bord de la porte du congélateur avec le côté de la caisse avant d'installer la charnière centrale.
- Sortir la nouvelle charnière centrale du sachet d'accessoires, insérer l'axe de charnière dans la partie supérieure de la porte du congélateur, puis fixer la charnière en serrant sur la partie inférieure de l'ouverture du compartiment de réfrigération.



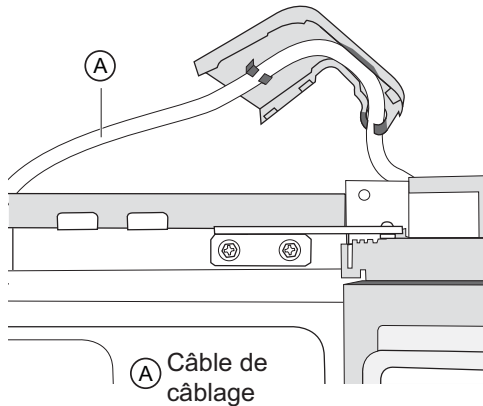
- Sortir la nouvelle charnière supérieure du sachet d'accessoires. Insérer l'axe de la charnière dans l'orifice à charnière situé sur la partie supérieure de la porte du réfrigérateur, puis faire descendre délicatement la porte sur la charnière centrale.
- Aligner le bord de la porte du réfrigérateur avec le côté de la caisse avant de fixer la charnière supérieure en serrant.
- À l'aide des vis de la charnière supérieure retirées précédemment, fixer la charnière supérieure en serrant sur la caisse du réfrigérateur.



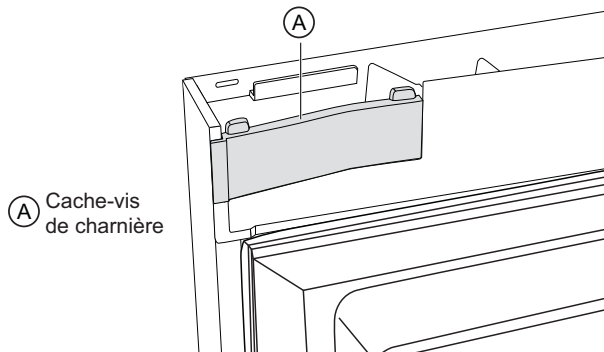
# INSTRUCTIONS D'INSTALLATION

## 7. Sortir le nouveau couvre-charnière du sachet d'accessoires.

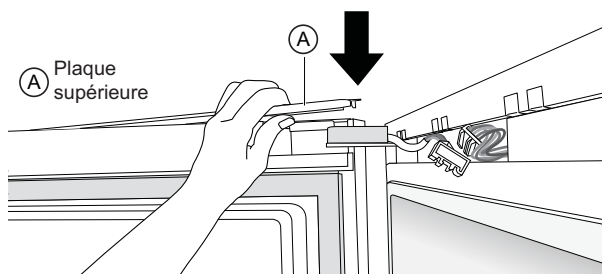
Faire passer le fil de câblage dans les attaches situées sur la partie inférieure du couvercle du logement des câbles électriques, puis fixer le couvercle par-dessus la charnière.



## 8. Retourner le cache des vis de charnière, puis l'insérer dans le bord intérieur de la porte.

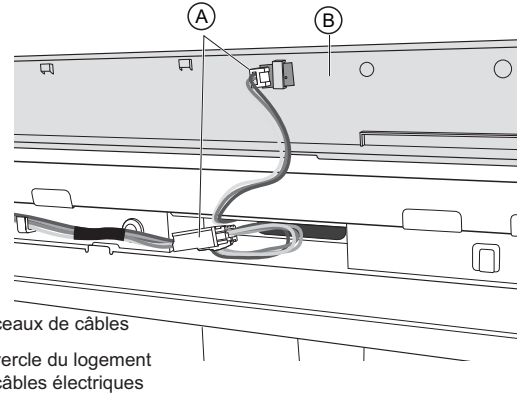


## 9. Réinstaller la plaque supérieure de la porte.

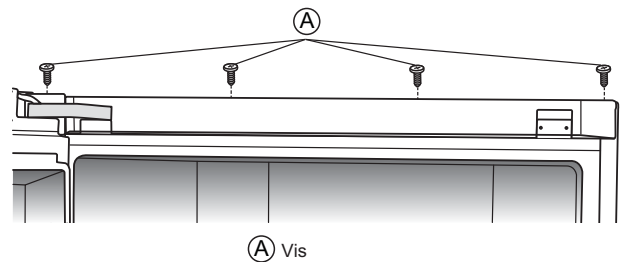


## 10. Raccorder les extrémités des deux faisceaux de câbles.

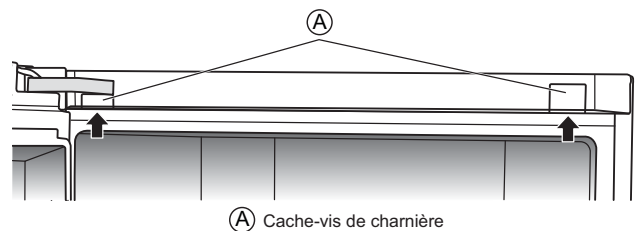
**REMARQUE:** S'assurer que les câbles sont bien enfoncés dans les attaches, puis fixer la longueur de câble excédentaire dans l'ouverture de la caisse.



## 11. Remettre en place le couvercle du logement des câbles électriques au sommet de la caisse du réfrigérateur, puis serrer avec les quatre vis.



## 12. Insérer les caches des vis de charnière dans le couvercle du logement des câbles électriques, au sommet de la caisse.



# INSTRUCTIONS D'INSTALLATION

## ÉTAPE 3 - ACHEVER L'INSTALLATION

### ⚠ WARNING



#### Risque de choc électrique

Brancher sur une prise à 3 alvéoles reliée à la terre.

Ne pas enlever la broche de liaison à la terre du cordon d'alimentation.

Ne pas utiliser un adaptateur.

Ne pas utiliser un câble de rallonge.

Le non-respect de cette instruction pourrait causer un décès, un incendie ou un choc électrique.

1. Brancher sur une prise de courant à 3 alvéoles, reliée à la terre.

2. Réinstaller l'ensemble des pièces de porte amovibles sur la porte et remettre les aliments dans le réfrigérateur.

**REMARQUE:** Ce réfrigérateur se met en marche dès qu'il est branché à la source d'alimentation.

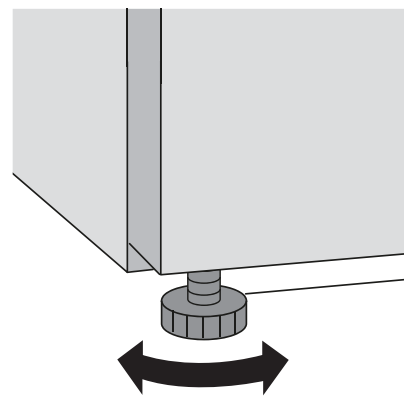
## ÉTAPE 4 - NIVELLEMENT ET AJUSTEMENT DES PORTES (SI NÉCESSAIRE)

Le réfrigérateur doit être d'aplomb pour une performance et un aspect optimaux.

### NIVELLEMENT

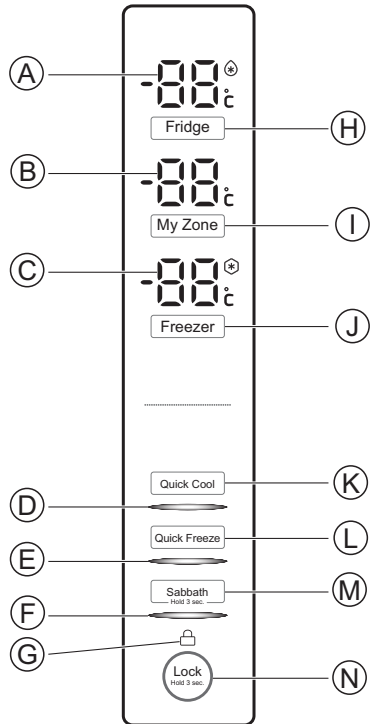
1. Déplacer le réfrigérateur jusqu'à son emplacement définitif.
2. Tourner les pieds situés en bas et à l'avant de la caisse pour élever ou abaisser le réfrigérateur, jusqu'à ce que le réfrigérateur soit d'aplomb dans le sens transversal.
3. Tourner les deux pieds avant d'une manière identique pour élever légèrement l'avant du réfrigérateur. Cela permettra de fermer plus facilement les portes.

**REMARQUE:** Le fait d'exercer une pression contre le dessus du réfrigérateur permet d'alléger le poids appliqué aux vis de nivellement. Ceci facilite le réglage des vis.



# UTILISATION DU RÉFRIGÉRATEUR

## UTILISATION DES COMMANDES



- |  |                                 |
|--|---------------------------------|
| (A) Refrigerator Temperature Indicator | (H) Fridge Temperature Control  |
| (B) My Zone Temperature Indicator      | (I) My Zone Temperature Control |
| (C) Freezer Temperature Indicator      | (J) Freezer Temperature Control |
| (D) Quick Cool Indicator               | (K) Quick Cool Control          |
| (E) Quick Freeze Indicator             | (L) Quick Freeze Control        |
| (F) Sabbath Indicator                  | (M) Sabbath Mode Control        |
| (G) Lock Indicator                     | (N) Lock Control                |

## TOUCHES À EFFLEUREMENT

Les commandes sont activées par des touches actionnées par un léger effleurement du doigt.

## CONTROL PANEL LOCK

Le tableau de commande se verrouille automatiquement après 30 secondes de non utilisation. Celui-ci doit être déverrouillé pour modifier tout réglage.

### Pour verrouiller le tableau de commande:

1. Appuyer sans relâcher sur la touche LOCK (verrouillage) pendant 3 secondes. Le voyant "Lock" (verrouillage) s'éteint.



### Pour déverrouiller le tableau de commande:

1. Appuyer sans relâcher sur la touche LOCK (verrouillage) pendant 3 secondes. Le voyant "Lock" (verrouillage) s'allume.



## AFFICHAGE DE LA TEMPÉRATURE



Lorsqu'aucun bouton ou porte n'est actionné(e) pendant 30 secondes, toutes les DEL de l'affichage du tableau de commande s'éteignent.

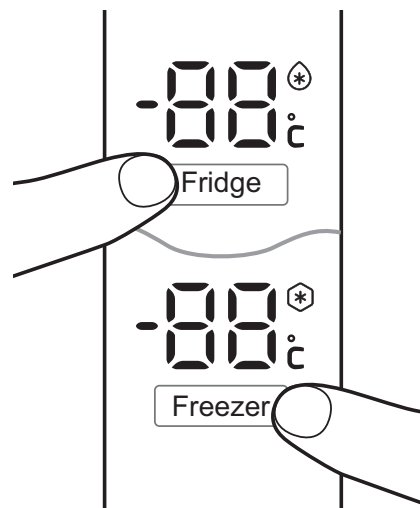
Lorsqu'un bouton est actionné ou qu'une porte est ouverte, toutes les DEL de l'affichage du tableau de commande s'illuminent.

## FUNCTION UNITS SELECT (SÉLECTION DE L'UNITÉ)

La fonction Units Select (sélection de l'unité) permet de choisir d'afficher la température réglée en degrés Fahrenheit (°F) ou en degrés Celsius (°C).

L'unité de température par défaut est en degrés Fahrenheit.

1. Si le tableau de commande est verrouillé, le déverrouiller en appuyant sans relâcher sur LOCK (verrouillage) pendant 3 secondes.
2. Appuyer simultanément et sans relâcher sur FRIDGE (réfrigérateur) et FREEZER (congélateur) pendant 3 secondes. °C apparaît à côté de la température pour indiquer que l'unité a été changée en degrés Celsius.
3. Pour revenir à l'affichage en degrés Fahrenheit de la température réglée, appuyer simultanément et sans relâcher sur les boutons FRIDGE (réfrigérateur) et FREEZER (congélateur) pendant 3 secondes. Le symbole °C disparaît de l'affichage de la température.



# UTILISATION DU RÉFRIGÉRATEUR

## COMMANDES DE TEMPÉRATURE

La température du compartiment de réfrigération se situe entre 34 °F et 42 °F (entre 1 °C et 6 °C). La température du compartiment de congélation se situe entre -6 °F et 4 °F (entre -21 °C et -16 °C). La fourchette de température du compartiment My Zone se situe entre 27°F et 41°F (entre -3°C et 5°C).

Les compartiments de réfrigération et My Zone sont préréglés à la température recommandée de 37 °F (3°C) et le compartiment de congélation est préréglé à la température recommandée de 0 °F (-18 °C). Lorsque le réfrigérateur est branché pour la première fois, l'affichage indique les réglages de température recommandés.

### IMPORTANT:

- Le réglage recommandé doit être correct pour une utilisation domestique normale du réfrigérateur.
- Lorsque le réfrigérateur est branché pour la première fois, une période de 12 heures maximum est nécessaire pour atteindre la température recommandée. Attendre 24 heures pour que le réfrigérateur refroidisse complètement avant d'y placer des aliments. Si on ajoute des aliments avant que le réfrigérateur ne soit complètement refroidi, les aliments risquent de s'abîmer.
- Si la température est trop tiède ou trop froide dans le réfrigérateur ou le congélateur, vérifier d'abord les événements pour s'assurer qu'ils ne sont pas bloqués, avant de régler les commandes.

### Réglage des commandes

Ne pas ajuster les commandes de plus d'un cran à la fois, sauf lors de la mise en marche du réfrigérateur. Attendre 24 heures entre chaque réglage pour que la température puisse se stabiliser.

**REMARQUE:** La température ne peut pas être réglée si une autre fonction de commande est activée, comme Quick Freeze (congélation rapide), Quick Cool (refroidissement rapide) ou le mode Sabbat ou si le tableau de commande est verrouillé. Le voyant correspondant s'allume et un signal sonore retentit.

### Réglage de la température du réfrigérateur:

1. Si le tableau de commande est verrouillé, le déverrouiller en appuyant sans relâcher sur LOCK (verrouillage) pendant 3 secondes.
2. Appuyer sur Fridge (réfrigérateur) pour modifier la température.



**NOTE:** The temperature increases by one degree and a tone sounds with each press of the button. After 5 seconds have passed with no button being pressed the temperature setting confirms automatically.

### Réglage de la température du congélateur:

1. Si le tableau de commande est verrouillé, le déverrouiller en appuyant sans relâcher sur LOCK (verrouillage) pendant 3 secondes.

2. Appuyer sur le bouton Freezer (congélateur) pour régler la température.



Freezer

**REMARQUE:** La température diminue d'un degré à la fois et un signal sonore retentit à chaque pression. Après 5 secondes d'inutilisation d'un bouton, le réglage de la température est alors automatiquement validé.

### Réglage de la température du compartiment My Zone:

1. Si le tableau de commande est verrouillé, le déverrouiller en appuyant sans relâcher sur LOCK (verrouillage) pendant 3 secondes.
2. Appuyer sur MY ZONE pour régler la température.



My Zone

### REMARQUES:

- La température augmente de deux degrés F (un degré C) à la fois et un signal sonore retentit à chaque pression sur le bouton de commande.
- La température du compartiment My Zone ne peut pas être réglée sur un réglage plus froid que celui du compartiment de réfrigération.
- 3. Appuyer sur n'importe quel bouton de commande, sauf celui de My Zone, pour confirmer. Le voyant cesse de clignoter.

**REMARQUES:** Après 5 secondes, le réglage de la température est automatiquement validé.

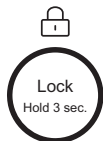
Réglage	Description
35°F - 41°F (2°C - 5°C)	<b>Fruits et légumes</b> Convient à l'entreposage des fruits et légumes
27°F (-3°C)	<b>Décongélation des aliments ou refroidissement rapide</b> Convient à la décongélation d'aliments ou au refroidissement rapide des breuvages
29°F - 35°F (-2°C - 2°C)	<b>Viandes</b> <b>Convient pour conserver les produits frais</b> comme le poisson ou la viande, ainsi que les aliments cuits, pendant 1 à 2 jours.

# UTILISATION DU RÉFRIGÉRATEUR

## QUICK COOL

La fonction Quick Cool (refroidissement rapide) accélère le refroidissement des aliments frais et maintient les aliments déjà entreposés à l'abri d'un réchauffement indésirable.

1. Si le tableau de commande est verrouillé, le déverrouiller en appuyant sans relâcher sur LOCK (verrouillage) pendant 3 secondes



2. Appuyer sur le bouton Quick Cool (refroidissement rapide). Les voyants Quick Cool (refroidissement rapide) s'allument.



3. Répéter les étapes 1 et 2 pour désactiver manuellement la fonction Quick Cool (refroidissement rapide).

**REMARQUE:** La fonction Quick Cool (refroidissement rapide) s'éteint automatiquement après 3 heures.

## QUICK FREEZE (CONGÉLATION RAPIDE)

La fonction Quick Freeze (congélation rapide) accélère la congélation des aliments frais et maintient les aliments à l'abri d'un réchauffement indésirable. Si une grande quantité d'aliments doit être congelée, il est recommandé de régler la fonction Quick Freeze (congélation rapide) quelques heures à l'avance.

1. Si le tableau de commande est verrouillé, le déverrouiller en appuyant sans relâcher sur LOCK (verrouillage) pendant 3 secondes.



2. Appuyer sur le bouton Quick Freeze (congélation rapide). Les voyants Quick Freeze (congélation rapide) s'allument.



3. Répéter les étapes 1 et 2 pour désactiver manuellement la fonction Quick Freeze (congélation rapide).

**REMARQUE:** La fonction Quick Freeze (congélation rapide) s'éteint automatiquement après 24 heures.

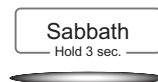
## SABBAT

La fonction Sabbath (mode Sabbath) est conçue pour les personnes dont les pratiques religieuses requièrent l'extinction des lumières. Toutes les lumières intérieures et signaux sonores sont désactivés.

1. Si le tableau de commande est verrouillé, le déverrouiller en appuyant sans relâcher sur LOCK (verrouillage) pendant 3 secondes.
2. Appuyer sans relâcher sur SABBATH (Sabbat) pendant 3 secondes, jusqu'à ce que le voyant correspondant au mode Sabbath s'allume.

### REMARQUES:

- Tous les signaux sonores et les lumières sont désactivés.
- Si les fonctions Quick Cool (refroidissement rapide) et/ou Quick Freeze (congélation rapide) sont activées, le mode Sabbath les désactive alors automatiquement.
- En mode Sabbath, le tableau de commande reste déverrouillé.



3. Pour désactiver le mode Sabbath, appuyer sans relâcher sur SABBATH (Sabbat) pendant 3 secondes.

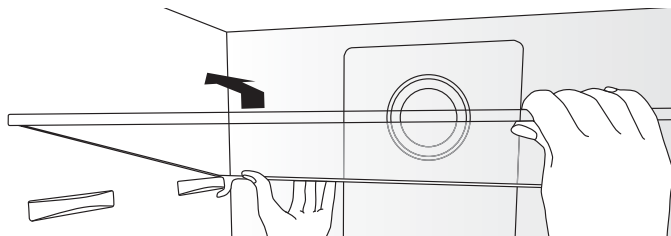
## CARACTÉRISTIQUES

### Informations importantes à propos des tablettes et des couvercles en verre:

Ne pas nettoyer les tablettes ou les couvercles de verre avec de l'eau tiède lorsqu'ils sont froids. Les tablettes et couvercles peuvent se briser s'ils sont exposés à des changements de températures ou impacts soudains, tels qu'une chute. Le verre trempé est conçu pour se briser en de multiples petits morceaux de la taille de gravillons. Ceci est normal. Les tablettes en verre et les couvercles sont lourds. Les retirer à deux mains pour éviter de les faire tomber.

## TABLETTES RÉGLABLES

La hauteur des tablettes peut être réglée pour convenir à vos besoins d'entreposage.



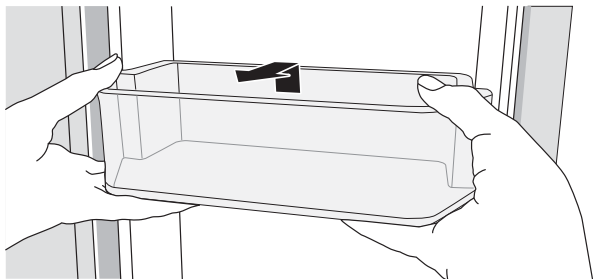
1. Pour retirer une tablette, soulever les coins avant et arrière pour dégager les crochets de la tablette des supports de tablette situés sur la paroi du réfrigérateur, et tirer vers l'extérieur.
2. Pour réinstaller une tablette, faire reposer la tablette sur les supports avant et arrière. Pousser la tablette vers l'arrière du réfrigérateur jusqu'à ce que l'arrière de la tablette s'accroche aux supports arrière de la tablette.

# UTILISATION DU RÉFRIGÉRATEUR

## BALCONNETS AMOVIBLES

### Retrait et réinstallation d'un balconnet:

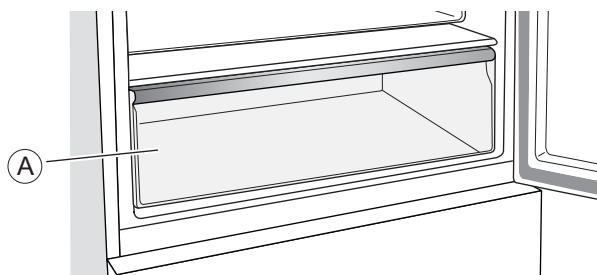
1. Placer les mains de chaque côté du balconnet, soulever vers le haut, puis tirer pour le sortir.
2. Réinstaller le balconnet en l'insérant par le dessus du support et en appuyant dessus pour qu'il s'emboîte.



## TIROIR MY ZONE

Le compartiment My Zone vous permet d'entreposer des aliments thermosensibles à la bonne température, afin d'assurer d'en conserver toutes leurs qualités nutritionnelles.

**REMARQUE:** L'utilisation du compartiment My Zone n'est pas recommandée pour y conserver le fromage ou les fruits et les légumes sensibles au froid, comme les avocats, les bananes, les pommes de terre, les concombres et les tomates.



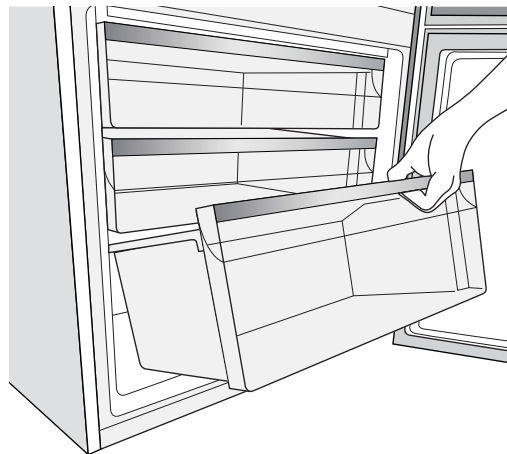
Ⓐ My Zone Drawer

## TIROIRS DE RANGEMENT AMOVIBLE DU CONGÉLATEUR

**IMPORTANT:** Ne pas surcharger les tiroirs.

### Retrait et réinstallation d'un tiroir de congélation:

1. Retirer le tiroir du congélateur en le dépliant entièrement, puis en soulevant le tiroir et en le dégageant.



2. Réinstaller le tiroir en inclinant l'arrière du tiroir vers le bas sur le support, puis en le faisant glisser.

# ENTRETIEN DU RÉFRIGÉRATEUR

## NETTOYAGE

Les sections de réfrigération et de congélation se dégivrent automatiquement. Toutefois, nettoyer les deux compartiments environ une fois par mois afin d'éviter une accumulation d'odeurs. Essuyer les renversements immédiatement.

Comme l'air circule entre les deux sections, toutes les odeurs formées dans une section seront transférées à l'autre. Les deux sections doivent être nettoyées avec soin pour éliminer les odeurs. Pour éviter le transfert d'odeurs et l'assèchement des aliments, envelopper ou recouvrir hermétiquement les aliments.

### IMPORTANT:

- Ne pas utiliser de produits chimiques corrosifs, d'ammoniaque, d'agent de blanchiment, de détergents concentrés, de solvant ou de tampons à récurer métalliques ou abrasifs pour nettoyer l'intérieur ou l'extérieur du réfrigérateur. Ceux-ci peuvent endommager et/ou décolorer le fini du réfrigérateur.
- Ne pas nettoyer les tablettes de verre à l'eau chaude lorsque celles-ci sont encore froides. Le verre peut se briser lorsqu'il est exposé à un impact ou à un changement brusque de température.

## ⚠ WARNING



### Risque de choc électrique

Débrancher votre appareil ou déconnecter la source de courant électrique avant de le nettoyer.

Le non-respect de cette instruction peut causer un décès, un choc électrique ou blessures.

1. Débrancher le réfrigérateur ou déconnecter la source de courant électrique.
2. Nettoyer l'intérieur. Laver à la main, rincer et sécher les pièces amovibles et les surfaces internes soigneusement. Utiliser une éponge propre ou un linge doux et un détergent doux dans de l'eau tiède.
3. Nettoyer les surfaces extérieures.

**Métal peint:** Laver les parties métalliques extérieures à l'aide d'un chiffon ou d'une éponge doux/douce et propre et d'un détergent doux dans de l'eau tiède. Rincer les surfaces avec une eau propre et tiède et sécher immédiatement afin d'éviter d'éventuelles taches laissées par l'eau.

**Acier inoxydable:** L'acier inoxydable est résistant à la corrosion et non anticorrosion. Pour éviter la corrosion sur l'acier inoxydable, laver les surfaces en acier inoxydable à l'aide d'un chiffon ou d'une éponge doux/douce et propre et d'un détergent doux dans de l'eau tiède. Rincer les surfaces avec une eau propre et tiède et sécher immédiatement afin d'éviter d'éventuelles taches laissées par l'eau.

**REMARQUE:** Lors du nettoyage de l'acier inoxydable, toujours frotter dans le sens du grain afin d'éviter d'érafler la surface.

4. Brancher le réfrigérateur ou reconnecter la source de courant électrique.



# ENTRETIEN DU RÉFRIGÉRATEUR

## ÉCLAIRAGE

Les lampes intérieures du réfrigérateur s'éteignent si les portes sont ouvertes pendant plus de 7 minutes.

**IMPORTANT:** Le réfrigérateur est équipé d'un éclairage à DEL. Cet éclairage est conçu pour durer pendant toute la durée de vie utile du réfrigérateur. Toutefois, si l'éclairage s'arrête de fonctionner, contacter un technicien qualifié pour effectuer le remplacement.

## PRÉCAUTIONS À PRENDRE POUR LES VACANCES OU LE DÉMÉNAGEMENT

### VACANCES

**Si vous choisissez de laisser le réfrigérateur en marche pendant votre absence:**

1. Consommer toutes les denrées périssables et congeler les autres articles.

**Si vous choisissez d'éteindre le réfrigérateur avant votre absence:**

1. Enlever tous les aliments du réfrigérateur et du congélateur.
2. Débrancher le réfrigérateur ou déconnecter la source de courant électrique.
3. Nettoyer le réfrigérateur, l'essuyer et bien le sécher.
4. À l'aide d'un ruban adhésif, placer des blocs de caoutchouc ou de bois dans la partie supérieure de chaque porte de façon à ce qu'elles soient suffisamment ouvertes pour permettre l'entrée de l'air à l'intérieur, afin d'éviter l'accumulation d'odeurs ou de moisissure.

## DÉMÉNAGEMENT

### ⚠ WARNING

#### Risque du poids excessif

Utiliser deux ou plus de personnes pour déplacer et installer le réfrigérateur.

Le non-respect de cette instruction peut causer une blessure au dos ou d'autres blessures.

En cas de déménagement et de déplacement du réfrigérateur dans une nouvelle habitation, suivre ces étapes pour préparer le déménagement.

1. Retirer tous les aliments du réfrigérateur et placer tous les aliments congelés dans de la neige carbonique.
2. Débrancher le réfrigérateur.
3. Bien nettoyer, essuyer et sécher.
4. Retirer toutes les pièces amovibles, bien les envelopper et les attacher ensemble avec du ruban adhésif pour qu'elles ne bougent ou ne s'entrechoquent pas durant le déménagement.
5. Soulever les pieds de nivellement pour qu'ils n'éraflent pas le sol. Voir "Nivellement".
6. Utiliser du ruban adhésif pour maintenir les portes fermées et fixer le cordon d'alimentation à l'arrière du réfrigérateur.
7. Lorsque vous arriverez à votre nouveau domicile, remettez tout en place et consultez la section "Instructions d'installation" pour les instructions de préparation.

## RÉINSTALLATION/RÉUTILISATION DU RÉFRIGÉRATEUR

Si le réfrigérateur a été placé en position horizontale ou incliné pendant un moment, attendre 24 heures avant de le brancher pour que le réfrigérant se remette en place.

1. Nettoyer le réfrigérateur. Voir "Nettoyage".
2. Placer le réfrigérateur à l'emplacement souhaité et régler son aplomb. Voir "Instructions d'installation".

# DÉPANNAGE

Essayez tout d'abord les solutions suggérées ici et évitez les coûts pour le service de réparation.

## EL REFRIGERADOR NO FUNCIONA

PROBLÈME	CAUSE(S) POSSIBLE(S)	SOLUTION
<b>Le réfrigérateur ne fonctionne pas</b>	Le réfrigérateur est débranché.	Brancher le réfrigérateur sur une prise à 3 alvéoles reliée à la terre.
	Le disjoncteur est ouvert ou déclenché/ un fusible est grillé.	Réenclencher le disjoncteur ou remplacer le fusible.
	Le réfrigérateur est en mode de dégivrage.	Attendre environ 40 minutes que le programme de dégivrage se termine et que le système de refroidissement redémarre.
<b>Le compresseur du réfrigérateur se met en route souvent ou pendant des périodes prolongées.</b> <b>REMARQUE : Ce réfrigérateur a été conçu pour fonctionner pendant des périodes prolongées avec une consommation d'énergie inférieure.</b>	Ceci est normal lorsque le réfrigérateur est branché pour la première fois.	Accorder 12 heures pour que le réfrigérateur refroidisse.
	Des aliments chauds ou de grosses quantités d'aliments ont été ajoutés.	Ceci est normal.
	La porte a été laissée ouverte, ou le réfrigérateur n'est pas d'aplomb.	S'assurer qu'un article ne bloque pas la fermeture de la porte. Régler l'aplomb du réfrigérateur. Voir "Nivellement du réfrigérateur"
	Temps chaud ou ouvertures fréquentes.	Ceci est normal.
	Commande de la température au réglage le plus froid.	Ajuster la température à un réglage plus chaud.
<b>Le réfrigérateur a une odeur</b>	Les emballages alimentaires ne sont pas étanches ou les aliments ne sont pas emballés correctement.	Refermer hermétiquement les emballages. Placer une boîte ouverte de bicarbonate de soude dans le réfrigérateur, remplacer tous les 3 mois.
	L'intérieur a besoin d'être nettoyé.	Nettoyer l'intérieur. Voir "Nettoyage".
	Les aliments ont été conservés trop longtemps.	Jeter les aliments abîmés.
<b>La lumière ne s'allume pas</b>	Le réfrigérateur est débranché.	Brancher sur une prise à 3 alvéoles reliée à la terre.
	L'ampoule DEL est grillée.	Contactez un technicien qualifié pour remplacer l'ampoule grillée.
	Le mode sabbat est activé.	En mode sabbat, les lampes sont désactivées. Pour allumer les lampes, vous devez désactiver le mode sabbat. Pour obtenir les instructions, consultez « Mode sabbat ».
<b>Les portes ne ferment pas correctement</b>	Le réfrigérateur n'est pas de niveau.	Niveler le réfrigérateur. Voir "Nivellement".
	Quelque chose obstrue la fermeture de la porte.	Vérifiez s'il y a des obstructions et enlevez-les.
<b>Vibration ou cliquetis</b>	Son donnant l'impression que de l'eau s'écoule du réfrigérateur.	Voir "Nivellement".
<b>Sons normaux</b>	Son donnant l'impression que de l'eau s'écoule du réfrigérateur.	Ce son est émis par le réfrigérant qui s'écoule dans les canalisations lorsque le compresseur se met en marche et s'arrête. Le réfrigérateur est équipé d'un système de dégivrage automatique. Ces sons sont émis par l'eau dégivrée.
	Roulement ou bourdonnement	Ce son peut être émis par le compresseur et les ventilateurs servant à la circulation de l'air froid. Si le réfrigérateur n'est pas d'aplomb, le son sera plus fort.
	Craquements ou cliquetis	Ce son est émis par les parties intérieures lorsqu'elles se contractent ou se dilatent en réponse à des changements de température.

# DÉPANNAGE

## TEMPÉRATURE ET HUMIDITÉ

PROBLÈME	CAUSE(S) POSSIBLE(S)	SOLUTION
<b>Le réfrigérateur ou le congélateur est trop chaud</b>	La commande de la température n'est pas placée à un réglage suffisamment bas.	Régler la température du compartiment à un réglable plus froid; attendre 24 heures que la température s'ajuste.
	La porte est ouverte fréquemment ou entrouverte.	Ne pas ouvrir la porte fréquemment. Vérifiez pour les articles en gardant la porte de se refermer complètement.
	Des aliments tièdes ont été ajoutés récemment.	Attendre que les aliments et le réfrigérateur aient refroidi.
	Il n'y a pas assez d'espace entre l'arrière du réfrigérateur et le mur.	Laisser un espace libre d'au moins 2" (5 cm) entre l'arrière du réfrigérateur et le mur.
	Les articles dans le fond des compartiments empêchent l'air de circuler correctement.	Ranger les articles à l'intérieur des bordures des tablettes de verre; ne pas placer d'articles contre les parois des compartiments ou directement devant les ouvertures d'aération.
<b>Le réfrigérateur ou le congélateur est trop froid.</b>	La commande de la température est placée à un réglage trop bas.	Augmenter la température du compartiment à un réglage inférieur (plus chaud) suivant; attendre 24 heures que la température s'ajuste.
<b>Humidité sur l'extérieur/l'intérieur du réfrigérateur.</b>	Forte présence d'humidité.	Ceci est normal en périodes d'humidité élevée. Sécher la surface et placer la commande de la température à un réglage légèrement plus froid.
	La porte est ouverte fréquemment ou entrouverte.	Ne pas ouvrir la porte fréquemment. Vérifiez pour les articles en gardant la porte de se refermer complètement.
	Récipient de liquide ouvert dans le réfrigérateur.	Couvrir ou fermer le récipient hermétiquement.
<b>Givre ou cristaux de glace sur les aliments surgelés.</b>	La porte est ouverte fréquemment ou entrouverte.	Ne pas ouvrir la porte fréquemment. Vérifiez pour les articles en gardant la porte de se refermer complètement.
	Des articles bloquent les ouvertures d'aération du congélateur et empêchent l'air de circuler librement.	Retirer les articles de l'arrière et du sommet du réfrigérateur.
<b>La commande de la température est placée à un réglage trop froid.</b>	Aliments placés trop près de l'ouverture d'aération.	Retirer les articles de l'arrière et du sommet du réfrigérateur.
	La commande de la température est placée à un réglage trop froid.	Ajuster la température du congélateur à un réglage moins froid.

POUR OBTENIR DE L'AIDE SUPPLÉMENTAIRE, VISITER [HAIERAMERICA.COM](http://HAIERAMERICA.COM) OU CONTACTER LA LIGNE D'ASSISTANCE À LA CLIENTÈLE AU 1-877-337-3639.

# GARANTIE LIMITÉE

## 12 mois sur les pièces et la main-d'œuvre

Durant les 12 mois suivant la date d'achat d'origine au détail, GE Appliances remplacera toute pièce du réfrigérateur présentant une défectuosité en raison d'un vice de matière ou de fabrication. Le choix entre le remplacement ou la réparation de l'appareil défectueux sera à la discrétion de GE Appliances. Dans le cas où GE Appliances déciderait de réparer l'appareil défectueux, GE Appliances fournira toute pièce défectueuse en raison d'un vice de matière ou de fabrication, et assumera les frais de main-d'œuvre et de service associés à réparation de la pièce. Advenant une décision de remplacer l'appareil durant cette période, GE Appliances pourrait procéder en vous fournissant un certificat échangeable auprès d'un détaillant contre un produit de remplacement.

Le produit doit être accessible, dégagé et installé correctement pour bénéficier du service de réparation sous garantie.

**REMARQUE :** Cette garantie prend effet à la date à laquelle l'article a été acheté et le reçu de l'achat d'origine doit être présenté au représentant de dépannage autorisé avant qu'une quelconque réparation sous garantie ne soit effectuée.

## SERVICE AU TITRE DE LA GARANTIE

**Aux États-Unis,** toutes les réparations sous garantie doivent être réalisées par nos Factory Service Centers ou un technicien. Pour programmer un entretien/réparation, visitez [HaierAppliances.com](http://HaierAppliances.com). Au Canada, visitez [HaierAppliances.ca](http://HaierAppliances.ca).

Veuillez avoir votre numéro de série et votre numéro de modèle à portée de main lorsque vous appelez pour obtenir un service.

**EXCLUSION DES GARANTIES TACITES :** Votre recours exclusif est l'échange du produit suivant les modalités de la Garantie Limitée. Toutes garanties tacites, y compris les garanties de valeurs marchandes ou d'adéquation à des fins particulières, sont limitées à une durée d'un an ou à la durée la plus courte autorisée par la loi.

**Pour les clients des États-Unis :** Cette garantie est étendue à l'acheteur d'origine et aux propriétaires suivants pour tout produit acheté pour une utilisation domestique aux États-Unis. Si le produit est installé dans une région où ne se trouve aucun réparateur autorisé GE Appliances, vous devrez peut-être assumer les frais de transport ou apporter l'appareil à un centre de service autorisé GE Appliances. En Alaska, cette garantie exclut le coût d'expédition ou de dépannage à votre domicile.

Certains états n'acceptent pas d'exclusion ou de limites aux dommages indirects consécutifs. Certains droits particuliers vous sont dévolus en vertu de la présente garantie et peuvent s'accompagner d'autres droits qui varient selon votre lieu de résidence. Pour connaître vos droits juridiques, veuillez consulter le bureau local ou le bureau d'état des affaires aux consommateurs ou le Procureur Général de votre état.

### Garant US:

**GE Appliances, a Haier company**  
Louisville, KY 40225

**Pour les clients des Canada :** Cette garantie est étendue à l'acheteur d'origine et aux propriétaires suivants pour tout produit acheté au Canada pour une utilisation domestique au Canada. Le service à domicile en vertu de la garantie sera fourni dans les régions où il est disponible et où Mabe estime raisonnable de le fournir.

### Garant Canada:

**MC Commercial, Burlington, Ontario, L7R 5B6**

## Cette garantie ne couvre pas :

Toute visite à votre domicile pour vous expliquer le fonctionnement de l'appareil.

Mauvaise installation, livraison ou entretien.

Toute défectuosité du produit lorsqu'il est utilisé de façon abusive, ou à des fins commerciales ou à toute autre fin que celle pour laquelle il a été conçu.

Perte des aliments due à la détérioration.

Domage subi après la livraison.

Remplacement des ampoules de lampe.

Le remplacement des fusibles ou le réenclenchement des disjoncteurs.

Tout dommage au produit attribuable à un accident, un incendie, une inondation ou un cas de force majeure.

Tout dommage direct ou indirect attribuable à une défectuosité éventuelle de l'appareil.

Le service s'il est impossible d'avoir accès au produit pour ce faire.

Les coûts associés lorsque GE Appliances choisit d'émettre un certificat échangeable contre un produit de remplacement.

Les dommages à la finition, comme de la rouille sur la surface, un ternissement ou de petites taches non signalées dans les 48 heures suivant la livraison.

Les produits qui ne sont pas défectueux, brisés ou qui fonctionnent comme décrit dans le guide de l'utilisateur.

# ÍNDICE

<b>SEGURIDAD DEL REFRIGERADOR</b> .....	<b>46</b>
<b>PIEZAS Y FUNCIONES</b> .....	<b>48</b>
<b>REQUISITOS DE INSTALACIÓN</b> .....	<b>49</b>
Requisitos de Ubicación.....	49
Requisitos Eléctricos .....	49
<b>INSTRUCCIONES DE INSTALACIÓN</b> .....	<b>50</b>
Paso 1 – Desembale el Refrigerador .....	50
Paso 2 – Inversión de la Puerta .....	50
Paso 3 - Complete la Instalación .....	55
Paso 4 – Nivelación y Ajuste de la Puerta .....	55
<b>USO DEL REFRIGERADOR</b> .....	<b>56</b>
Uso de los Controles.....	56
Funcione .....	58
<b>CUIDADO DEL REFRIGERADOR</b> .....	<b>60</b>
Limpieza .....	60
Luces.....	61
Cuidado en Vacaciones y Mudanzas .....	61
Reinstalación/ Uso del Refrigerador Nuevamente.....	61
<b>SOLUCIÓN DE PROBLEMAS</b> .....	<b>62</b>
<b>GARANTÍA LIMITADA</b> .....	<b>64</b>

# SEGURIDAD DEL REFRIGERADOR

**⚠ ADVERTENCIA** A fin de reducir el riesgo de incendio, explosión, descargas eléctricas o lesiones al usar su refrigerador, siga estas precauciones básicas de seguridad:

- Este refrigerador se deberá instalar y ubicar adecuadamente de acuerdo con las Instrucciones de Instalación antes de ser usado.
- Desenchufe el refrigerador antes de hacer reparaciones, reemplazar una lámpara de luz o hacer una limpieza.  
Nota: La corriente que va al refrigerador no puede ser desconectada por ninguna configuración del panel de control.  
Nota: Las reparaciones deberán ser realizadas por un Profesional del Servicio Técnico calificado.
- Reemplace todas las piezas y paneles antes del uso.
- No use un prolongador.
- No guarde ni use gasolina u otros vapores inflamables y líquidos cerca de este ni de otro electrodoméstico.
- No guarde sustancias explosivas tales como latas de aerosoles con propelentes inflamables en este electrodoméstico.
- A fin de evitar riesgos de que los niños sufran asfixia o queden atrapados, retire las puertas de comidas frescas y del freezer de cualquier refrigerador antes de deshacerse o dejar de usar el mismo.
- Los niños y las personas con capacidad física, sensorial o mental reducida o con falta de experiencia y conocimiento podrán usar este electrodoméstico sólo si son supervisados o les fueron dadas instrucciones sobre un uso seguro y entienden los riesgos involucrados.
- Este electrodoméstico fue diseñado para uso hogareño y para aplicaciones similares tales como: áreas de personal de cocina en tiendas, oficinas y otros espacios laborales; casas de campo; por clientes en hoteles, moteles, hostales y otros espacios residenciales, catering y aplicaciones no minoristas similares.
- No aplique limpiadores ásperos sobre el refrigerador. Ciertos limpiadores dañarán el plástico, lo cual podrá hacer que ciertas piezas tales como la puerta o las manijas de las puertas se separen de forma inesperada. Para acceder a instrucciones detalladas, consulte la sección de Cuidado y Limpieza del Manual del Propietario.

**⚠ PRECAUCIÓN** A fin de reducir el riesgo de lesiones al usar el refrigerador, siga estas precauciones básicas.

- No limpie estantes de vidrio ni tapas con agua caliente cuando estén fríos. Los estantes de vidrio y las tapas se pueden romper si son expuestos a cambios de temperatura repentinos o impactos, tales como sacudones o caídas. El vidrio templado está diseñado para destruirse en pequeñas piezas en caso de rotura.
- Mantenga los dedos fuera de los espacios de "riesgo de lastimaduras"; los despejes entre las puertas y entre las puertas y el gabinete son necesariamente pequeños. Tenga el cuidado de cerrar las puertas cuando los niños se encuentren en el área.
- No toque las superficies frías del compartimiento del freezer cuando las manos estén húmedas o mojadas, ya que la piel se podrá adherir a estas superficies extremadamente frías.
- No vuelva a congelar comidas que hayan estado totalmente congeladas en forma previa.
- En refrigeradores con máquinas de hielo automáticas, evite el contacto con las partes móviles del mecanismo eyector o con el elemento de calefacción que libera los cubos. No coloque los dedos ni las manos en el mecanismo automático de la máquina de hielo mientras el refrigerador esté enchufado.

**⚠ ADVERTENCIA**  **RIESGO DE EXPLOSIÓN Refrigerante Inflamable**

**Este electrodoméstico cuenta con refrigerante isobutano, R600a, un gas natural con alto nivel de compatibilidad medioambiental. Sin embargo, también es combustible. Siga las advertencias que figuran a continuación, a fin de reducir el riesgo de lesiones o daños sobre la propiedad.**

1. Al manipular, instalar y usar el electrodoméstico, se deberá tener cuidado para evitar dañar la tubería del refrigerante.
2. El servicio técnico sólo deberá ser realizado por personal autorizado del servicio. Use sólo piezas del servicio autorizadas por el fabricante.
3. Descarte el electrodoméstico de acuerdo con las Regulaciones Federales y Locales. El refrigerante inflamable y el material aislante inflamable usados requieren procedimientos de descarte especiales. Comuníquese con las autoridades locales para descartar su electrodoméstico de forma ambientalmente segura.
4. Mantenga las aberturas de ventilación, en el espacio de protección del electrodoméstico o en la estructura empotrada, libres de obstrucción.
5. No use dispositivos mecánicos u otros medios para acelerar el proceso de descongelación.
6. No dañe el circuito del refrigerante.
7. No use dispositivos eléctricos dentro del compartimiento de almacenamiento de comida del electrodoméstico.

# SEGURIDAD DEL REFRIGERADOR

## CONEXIÓN DE LA ELECTRICIDAD

### ⚠️ ADVERTENCIA



### RIESGO DE DESCARGA ELÉCTRICA

Enchufe el electrodoméstico en un tomacorriente con conexión a tierra de 3 cables.

No elimine el cable de conexión a tierra.

No use un adaptador.

No use un prolongador.

Si no se siguen estas instrucciones, se podrá producir la muerte, incendios o descargas eléctricas.

**Nunca, bajo ninguna circunstancia, corte o elimine el tercer cable (tierra) del cable de corriente. Por seguridad personal, este electrodoméstico deberá estar adecuadamente conectado a tierra.**

El cable de corriente de este electrodoméstico contiene un enchufe de 3 cables (conexión a tierra) que se conecta a un tomacorriente de pared estándar de 3 cables (conexión a tierra) para minimizar la posibilidad de riesgos de descargas eléctricas por parte del mismo.

Contrate a un electricista calificado para que controle el tomacorriente y el circuito eléctrico, a fin de asegurar que el enchufe esté correctamente conectado a tierra.

En caso de contar con un tomacorriente de pared de 2 cables, es su responsabilidad y obligación reemplazarlo por un tomacorriente de pared de 3 cables correctamente conectado a tierra. No use un adaptador.

El refrigerador deberá estar siempre conectado a un enchufe específico con un índice de voltaje equivalente al que figura en su etiqueta de características técnicas.

Se requiere un suministro eléctrico con fusible y conexión a tierra de 115 voltios de CA, 60 Hz, 15 o 20 amperes. Esto garantiza el mejor funcionamiento y además previene la sobrecarga de los circuitos del hogar, lo cual podría ocasionar riesgos de incendio debido al recalentamiento de cables.

Nunca desenchufe el refrigerador tirando del cable de corriente. Siempre tome su enchufe de manera firme y empuje el mismo hacia afuera para retirarlo.

Inmediatamente interrumpa el uso de un cable de suministro de corriente dañado. Si el cable de corriente se encuentra dañado, su reemplazo deberá ser realizado por un profesional calificado del servicio técnico, utilizando una pieza del servicio técnico autorizada por el fabricante.

Al alejar el refrigerador de la pared, se deberá tener cuidado de que no ruede sobre ni dañe el cable de corriente.

## DISPOSICIÓN APROPIADA DE SU ANTIGUO APARATO

### ⚠️ ADVERTENCIA

### PELIGRO DE ATRAPAMIENTO Y ASFIXIA

El incumplimiento de estas instrucciones de eliminación puede causar la muerte o lesiones graves.

**IMPORTANTE:** El atrapamiento y asfixia de niños no es un problema del pasado. Un aparato refrigerador desechado y abandonado es un peligro, aún si va a quedar ahí "por unos pocos días". Si usted está por deshacerse de su aparato refrigerador viejo, siga las instrucciones a continuación para evitar accidentes.

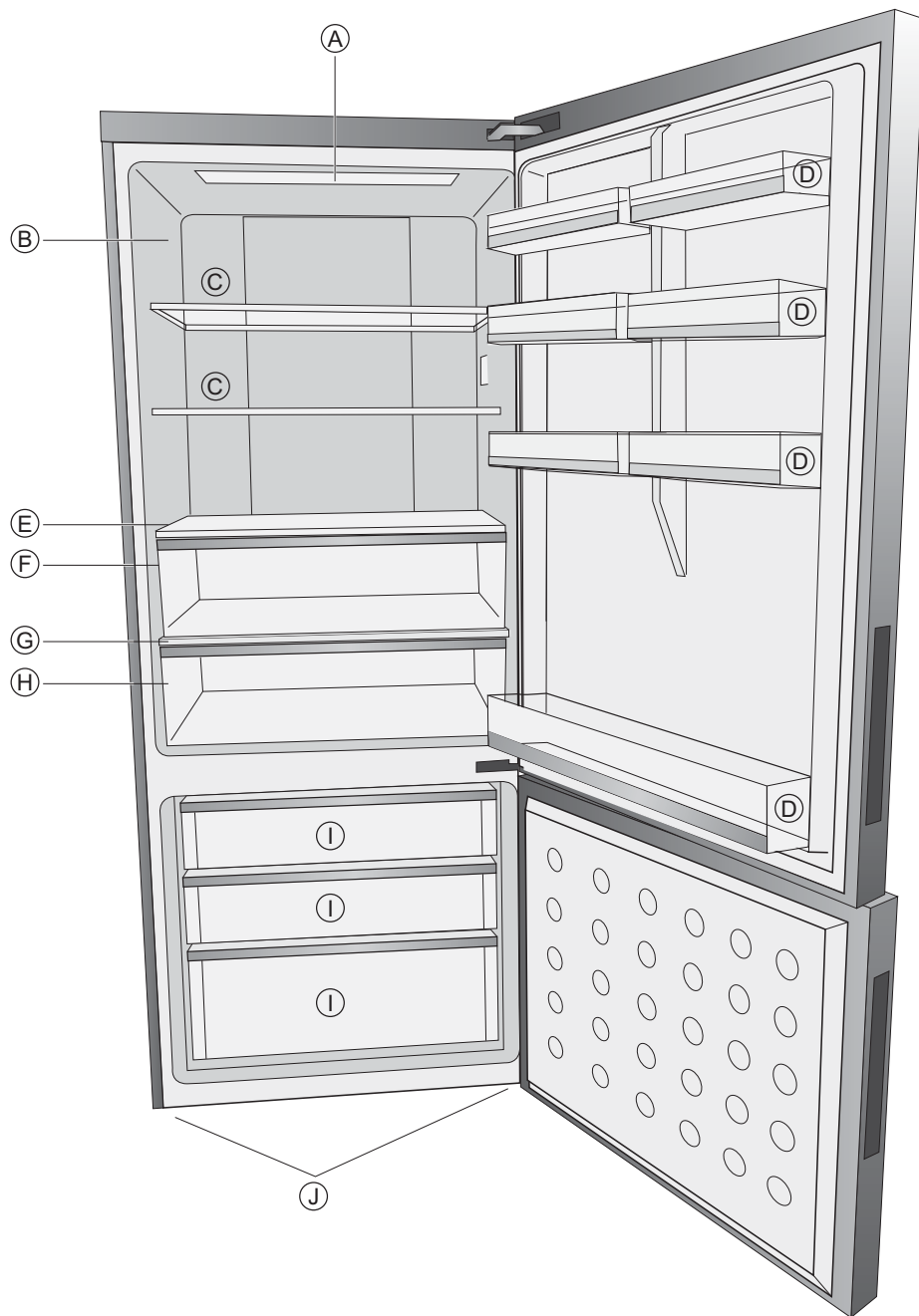
#### Antes de descartar su aparato refrigerador viejo:

- Retire las puertas del Refrigerador y del Freezer.
- Deje los estantes en su lugar así los niños no pueden meterse adentro con facilidad.

#### Cómo Eliminar Refrigerantes y Gomaespumas:

Descarte el electrodoméstico de acuerdo con las Regulaciones Federales y Locales. El refrigerante inflamable y el material aislante inflamable usados requieren procedimientos de descarte especiales. Comuníquese con las autoridades locales para descartar su electrodoméstico de forma ambientalmente segura

# PIEZAS Y CARACTERÍSTICAS



Ⓐ Luz LED

Ⓑ Placa de Especificaciones Técnicas

Ⓒ Repisas de Vidrio (2)

Ⓓ Estantes de la Puerta del Refrigerador (7)

Ⓔ Tapa del Cajón del Refrigerador

Ⓕ Cajón del Refrigerador

Ⓖ Tapa de My Zone

Ⓗ Cajones de My Zone

Ⓘ Cajones de Almacenamiento en el Freezer (3)

Ⓙ Patas Niveladoras Ajustables (2)



# REQUISITOS DE INSTALACIÓN

## REQUISITOS DE UBICACIÓN

### ⚠ WARNING



#### Peligro de Explosión

Keep flammable materials and vapors, such as gasoline, away from appliance.

Failure to do so can result in death, explosion or fire.

**MPORTANTE:** Este refrigerador ha sido diseñado únicamente para usarse dentro del hogar.

Para asegurar la adecuada ventilación de su refrigerador, deje un espacio de 1" (2,54 cm) a cada lado y en la parte superior. Deje un espacio de 2" (5,08 cm) detrás del refrigerador. Si instala el refrigerador próximo a una pared fija, deje como mínimo 4" (10 cm) para permitir que la puerta abra bien.

**NOTA:** Este refrigerador ha sido diseñado para usarse en un lugar en donde los rangos de temperatura varíen entre un mínimo de 55 °F (13 °C) y un máximo de 110 °F (43 °C). Para un óptimo rendimiento, el rango preferido de temperatura ambiente (que reduce el uso de electricidad y provee un enfriamiento superior) es entre 60 °F (15 °C) y 90 °F (32 °C). No se recomienda instalar el refrigerador cerca de una fuente de calor, como puede ser un horno o un radiador.

## REQUISITOS ELÉCTRICOS

### ⚠ WARNING



#### Peligro de Choque Eléctrico

Conecte a un contacto de pared de conexión a tierra de 3 terminales.

No quite el terminal de conexión a tierra del cable de alimentación.

No use un adaptador.

No use un cable eléctrico de extensión.

No seguir estas instrucciones puede ocasionar la muerte, incendio o choque eléctrico.

Antes de mover el refrigerador a su ubicación final, es importante asegurarse de que tiene la conexión eléctrica adecuada.

#### Recommended Grounding Method

Se requiere un suministro eléctrico de 115 voltios, 60 hertzios, CA solamente, de 15 o 20 amperios y protegido con fusibles, conectado a tierra. Se recomienda utilizar un circuito separado solo para su refrigerador. Use un tomacorriente que no se pueda apagar con un interruptor. No use un cable eléctrico de extensión.

**NOTA:** Antes de realizar cualquier tipo de instalación o limpieza, desconecte el refrigerador de la fuente de suministro eléctrico. Cuando haya terminado, vuelva a conectar el refrigerador a la fuente de energía eléctrica y reajuste los controles de temperatura en la posición deseada.

# INSTRUCCIONES DE INSTALACIÓN

## PASO 1 - DESEMPAQUE EL REFRIGERADOR

### ⚠ WARNING

#### Peligro de Peso Excesivo

Use dos o más personas para mover e instalar el refrigerador.

No seguir esta instrucción puede ocasionar una lesión en la espalda u otro tipo de lesiones.

**IMPORTANTE:** Tenga cuidado al mover el refrigerador para evitar dañar el tubo refrigerante o aumentar el riesgo de fuga.

## CÓMO QUITAR EL EMPAQUE

- Quite los restos de cinta y goma de las superficies de su refrigerador antes de encenderlo. Frote un poco de detergente líquido para vajilla sobre el adhesivo con los dedos. Limpie con agua tibia y seque.
- No use instrumentos filosos, alcohol isopropílico, líquidos inflamables o productos de limpieza abrasivos para eliminar los restos de cinta o goma. Estos productos pueden dañar la superficie de su refrigerador. Para obtener más información, vea "Seguridad del refrigerador".
- Deshágase de todos los materiales de empaque o reciclelos.

### Cuando mueva su refrigerador:

Su refrigerador es pesado. Cuando mueva el refrigerador para la limpieza o para darle servicio, cerciórese de cubrir el piso con cartón o madera para evitar daños en este. Al mover el refrigerador, siempre tire directamente hacia afuera. No menea el refrigerador de lado a lado ni lo haga "caminar" cuando trate de moverlo, ya que podría dañar el suelo.

## LIMPIEZA ANTES DEL USO

Una vez que usted haya quitado todos los materiales de empaque, limpie el interior del refrigerador antes de usarlo. Vea las instrucciones de limpieza en "Cuidado del refrigerador".

### Información importante acerca de los estantes y tapas de vidrio:

No limpie los estantes y tapas de vidrio con agua caliente mientras estén fríos. Los estantes y tapas pueden romperse si se exponen a cambios bruscos de temperatura o a impactos como golpes bruscos. El vidrio templado se ha diseñado para hacerse añicos. Esto es normal. Los estantes y tapas de vidrio son muy pesados. Use ambas manos al quitarlos para evitar que se caigan.

## PASO 2 - CAMBIO DEL SENTIDO DE APERTURA DE LAS PUERTAS (OPCIONAL)

Las bisagras de las puertas vienen instaladas de fábrica a la derecha. Si desea que las puertas se abran del lado opuesto, puede invertir el sentido de apertura.

### IMPORTANTE:

- Antes de comenzar, desenchufe el refrigerador o desconecte el suministro de energía.
- Retire los alimentos y los recipientes de la puerta del refrigerador.
- Las bisagras de las puertas han sido diseñadas para abrir hacia la derecha o hacia la izquierda específicamente. Cambie las bisagras de la derecha por las bisagras de la izquierda provistas en la bolsa de piezas. Después de quitar las bisagras de la derecha, guárdelas en caso que necesite invertir el sentido de apertura de las puertas.

### Piezas provistas:

- Bisagra superior
- Bisagra central
- Bisagra inferior

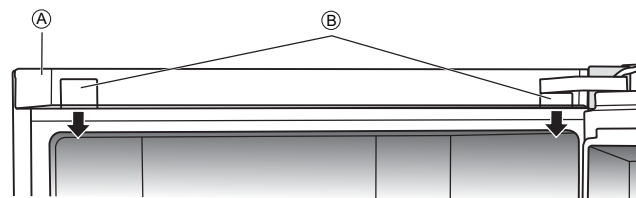
### Herramientas necesarias:

- Destornillador de hoja plana
- Destornillador Phillips
- Llave de cubo de 8 mm

## CÓMO QUITAR E INVERTIR LA PUERTA DEL REFRIGERADOR

1. Desenchufe el refrigerador o desconecte el suministro de energía.
2. Presione hacia abajo para quitar las cubiertas de los tornillos de la bisagra de la cubierta de cableado.

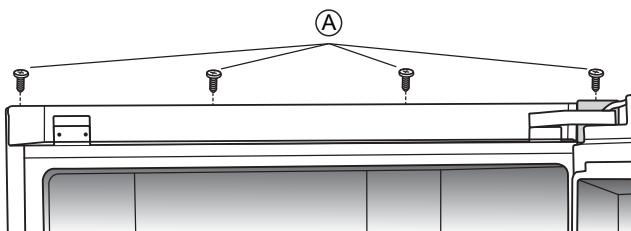
**NOTA:** La cubierta de cableado abarca el ancho de la parte superior del gabinete.



Ⓐ Cubierta de cableado Ⓑ Tapa de los Tornillos de la Bisagra

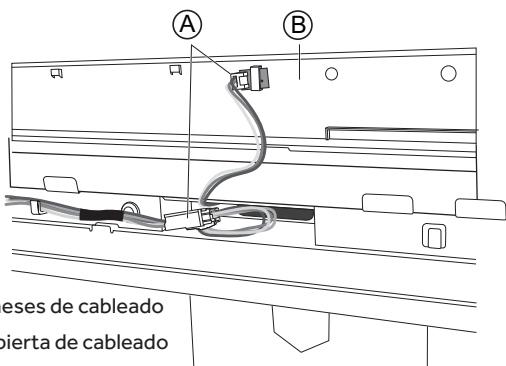
# INSTRUCCIONES DE INSTALACIÓN

3. Con un destornillador Phillips, quite los cuatro tornillos que sujetan la cubierta de cableado a la parte superior del gabinete del refrigerador. Levante la cubierta de cableado y apóyela sobre la parte superior del gabinete.



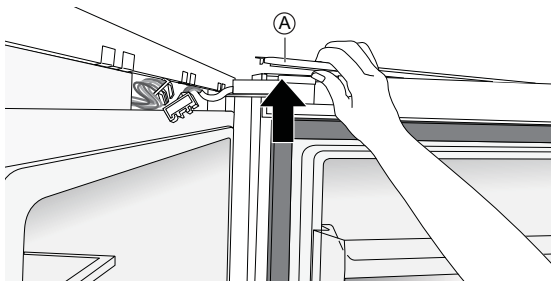
(A) Tornillos

4. Desconecte los arneses de cableado; para ello, apriete y extraiga cada extremo con cuidado. Deje la cubierta de cableado a un lado.



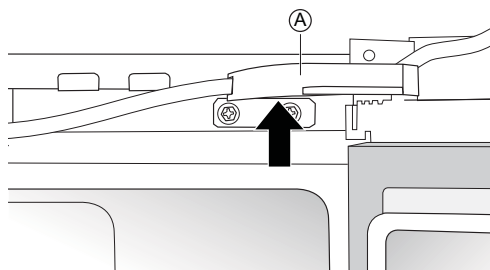
(A) Arneses de cableado  
(B) Cubierta de cableado

5. Con sus pulgares en la abertura junto a la bisagra, presione hacia arriba en la placa superior para liberarla y quítela de la puerta del refrigerador. Deje la placa superior a un lado.



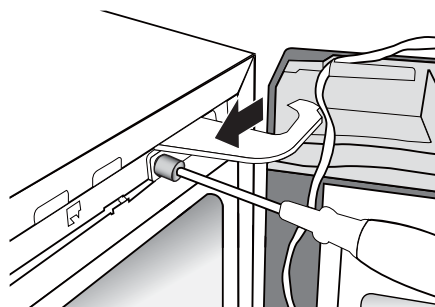
(A) Placa superior

6. Levante la cubierta de la bisagra para quitarla y guárdela en caso de que necesite usarla en el futuro.



(A) Cubierta de la bisagra

7. Utilice una llave de cubo de 8 mm para quitar los dos tornillos que sujetan la bisagra superior al gabinete.

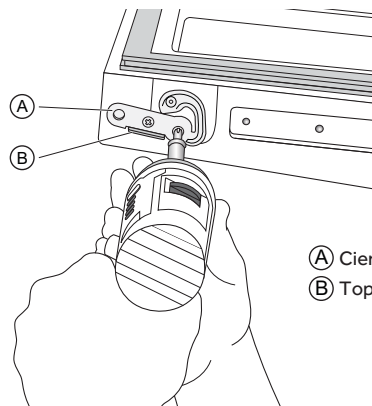


8. Deslice la bisagra superior para soltarla del tercer tornillo del gabinete y luego levántela para quitar el pasador de la bisagra de la puerta.

**NOTA:** Guarde la bisagra superior en caso de que necesite usarla en el futuro.

9. Levante la puerta del refrigerador para quitarla de la bisagra central y coloque con cuidado la puerta sobre una superficie cubierta.

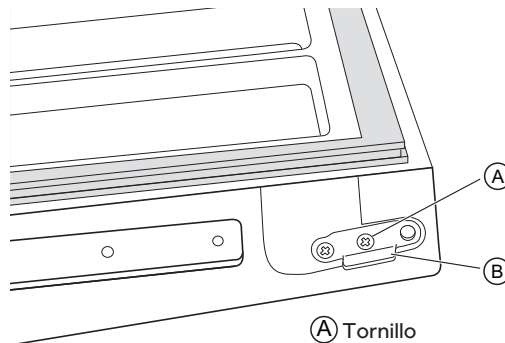
10. Con un destornillador Phillips, quite el cierre plástico de la puerta y el tope de metal de la puerta de la parte inferior de esta.



(A) Cierre de la puerta  
(B) Tope de la puerta

11. Quite el tornillo del cierre de la puerta y vuelva a colocarlo en el orificio de donde lo quitó.

12. Traslade el tope de la puerta hacia el lado opuesto. Inserte el tornillo en el orificio del centro y sujételo.

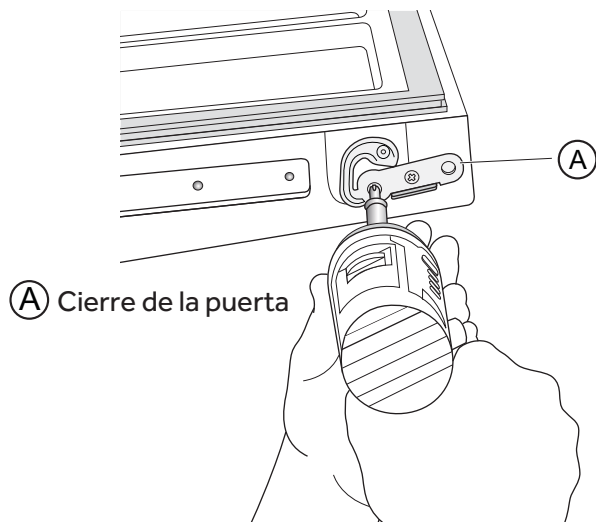


(A) Tornillo  
(B) Tope de la puerta

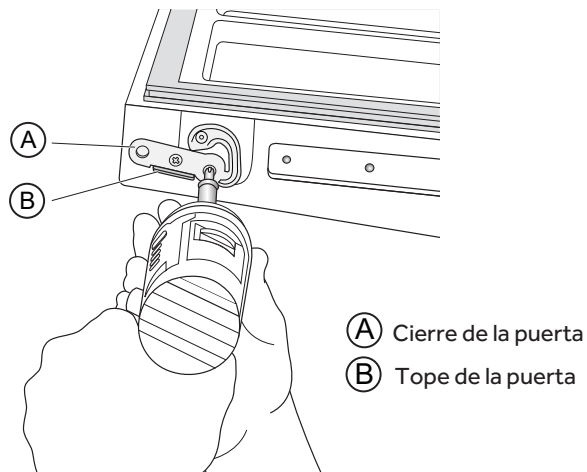
# INSTRUCCIONES DE INSTALACIÓN

**13.** Traslade el cierre de la puerta hacia el lado opuesto. Invierta la posición del cierre de la puerta de manera que el lado curvo del cierre quede hacia el centro de la puerta.

**14.** Quite el tornillo interno. Acomode el cierre de la puerta en la parte superior del tornillo del tope de la puerta y sujételo con el tornillo interno.

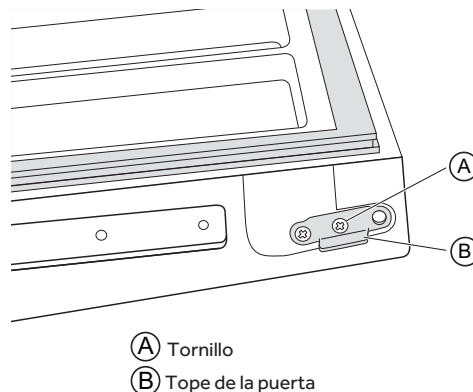


**4.** Con un destornillador Phillips, quite los dos tornillos que sujetan el cierre plástico de la puerta y el tope de metal de la puerta de la parte inferior de esta.



**5.** Quite el tornillo del cierre de la puerta y vuelva a colocarlo en el orificio de donde lo quitó.

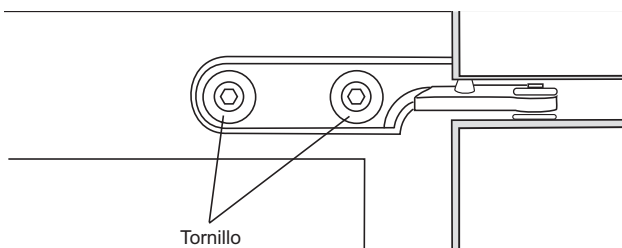
**6.** Traslade el tope de la puerta hacia el lado opuesto. Inserte el tornillo en el orificio del centro y sujételo.



**7.** Traslade el cierre de la puerta hacia el lado opuesto. Invierta la posición del cierre de la puerta de manera que el lado curvo del cierre quede hacia el centro de la puerta.

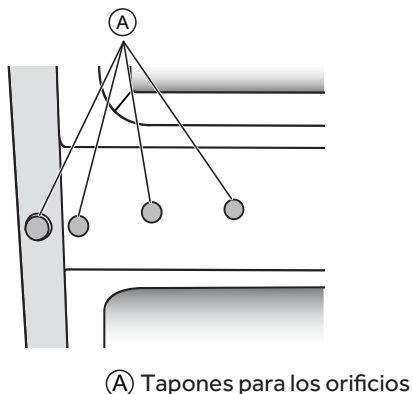
## CÓMO QUITAR E INVERTIR LA PUERTA DEL CONGELADOR

**1.** Quite los dos tornillos que sujetan la bisagra central a la parte inferior del compartimiento del refrigerador. Quite la bisagra central y guárdela en caso de que necesite usarla en el futuro.



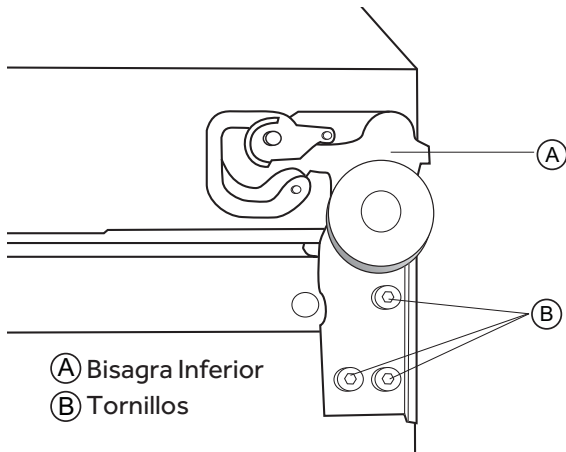
**2.** Levante la puerta del compartimiento del congelador desde la bisagra inferior.

**3.** Traslade los tapones para los orificios y el tornillo hacia el lado opuesto.



# INSTRUCCIONES DE INSTALACIÓN

8. Quite el tornillo interno. Acomode el cierre de la puerta en la parte superior del tornillo del tope de la puerta y sujételo con el tornillo interno.



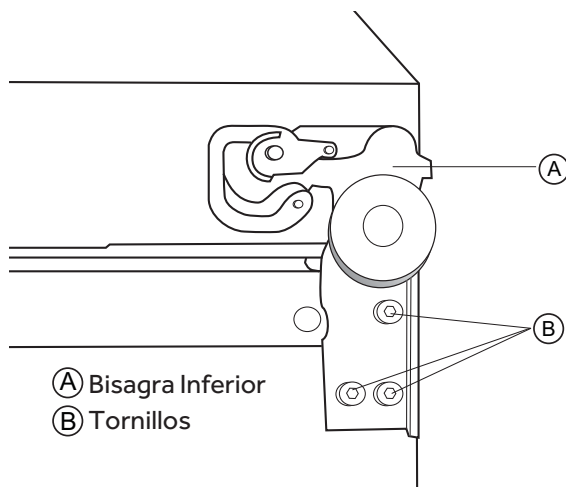
## ⚠ WARNING

### Peligro de Peso Excesivo

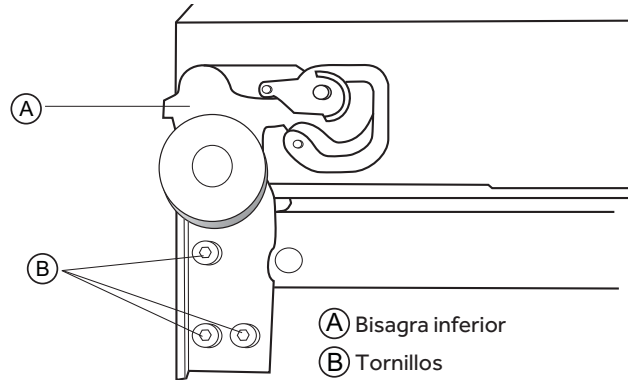
Use dos o más personas para mover e instalar el refrigerador.

No seguir esta instrucción puede ocasionar una lesión en la espalda u otro tipo de lesiones.

9. Con la ayuda de dos o más personas, apoye el refrigerador en el suelo.
10. Quite los tres tornillos que sujetan la bisagra inferior al gabinete. Quite la bisagra inferior y guárdela en caso de que necesite usarla en el futuro.

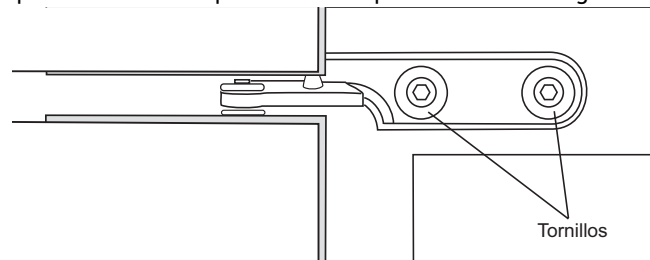


11. Saque una nueva bisagra inferior de la bolsa de accesorios. Utilice los tres tornillos que quitó anteriormente para sujetar la bisagra inferior al lado opuesto del gabinete.

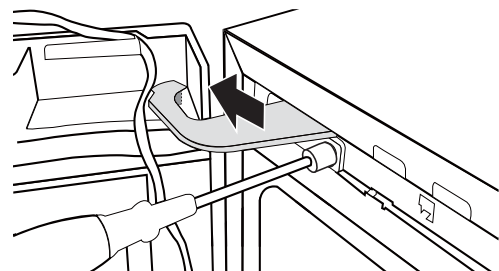


## VOLVER A INSTALAR LAS PUERTAS

1. Alinee el orificio en la parte inferior de la puerta del compartimiento del congelador con el pasador de la bisagra y haga descender con cuidado la puerta en la bisagra inferior.
2. Alinee el borde de la puerta del congelador con el costado del gabinete antes de instalar la bisagra central.
3. Saque la nueva bisagra central de la bolsa de accesorios, inserte el pasador de la bisagra en la parte superior de la puerta del compartimiento del congelador y luego sujete la bisagra a la parte inferior de la apertura del compartimiento del refrigerador.



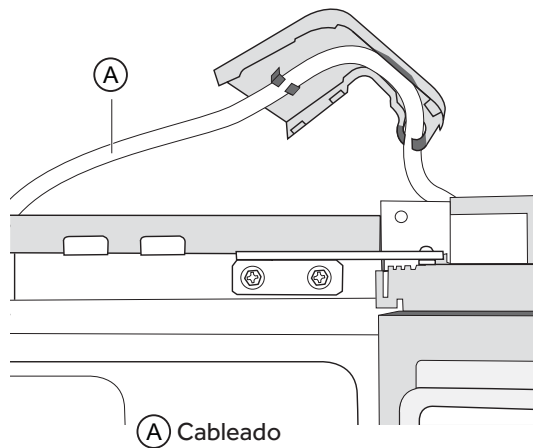
4. Saque la nueva bisagra superior de la bolsa de accesorios. Inserte el pasador de la bisagra en el orificio para la bisagra en la parte superior de la puerta del refrigerador y luego haga descender con cuidado la puerta en la bisagra central.
5. Alinee el borde de la puerta del refrigerador con el costado del gabinete antes de sujetar la bisagra superior.
6. Utilice los tornillos de la bisagra superior que quitó anteriormente para sujetar la bisagra superior al gabinete del refrigerador.



# INSTRUCCIONES DE INSTALACIÓN

7. Saque la nueva cubierta de la bisagra de la bolsa de accesorios. Inserte el cable en los sujetadores en el lado inferior de la cubierta y, luego, acomode la cubierta sobre la bisagra.

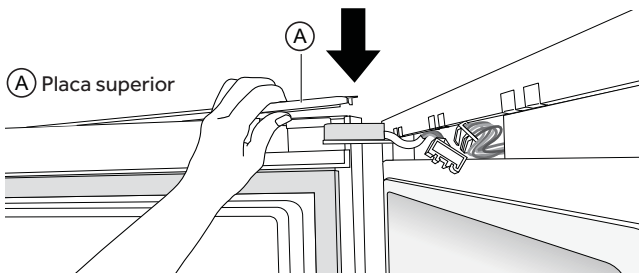
8. Dé vuelta la cubierta de los tornillos de la bisagra e insértela en el borde interior de la puerta.



9. Vuelva a colocar la placa superior de la puerta.



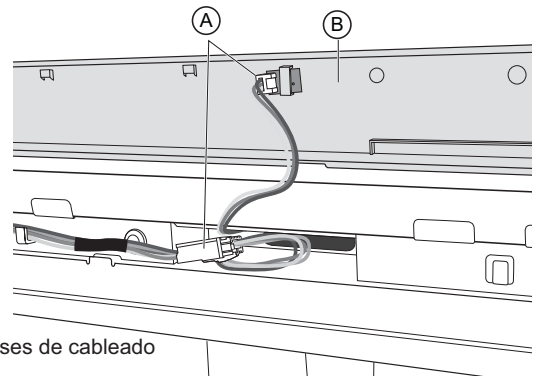
(A) Tapa de los Tornillos de la Bisagra



(A) Placa superior

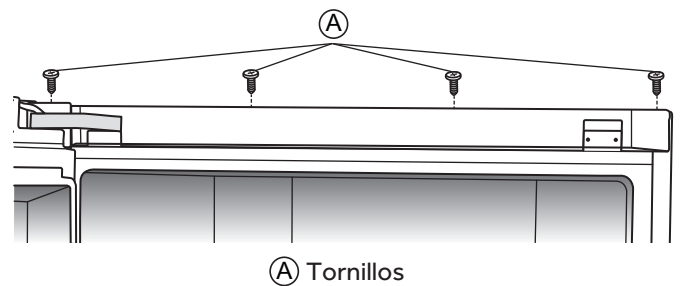
10. Conecte los extremos de ambos arneses de cableado.

**NOTA:** Asegúrese de que el cableado está presionado de manera firme en los sujetadores y acomode el largo restante en la abertura del gabinete.



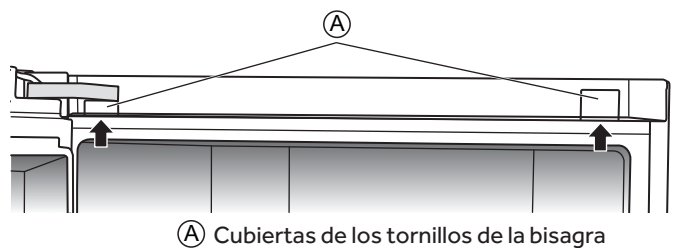
(A) Arneses de cableado  
(B) Cubierta de cableado

11. Vuelva a colocar la cubierta de cableado en la parte superior del gabinete del refrigerador y sujétela con los cuatro tornillos.



(A) Tornillos

12. Inserte las cubiertas de los tornillos de la bisagra en la cubierta de cableado en la parte superior del gabinete.



(A) Cubiertas de los tornillos de la bisagra

# INSTRUCCIONES DE INSTALACIÓN

## PASO 3 - FINALIZACIÓN DE LA INSTALACIÓN

### ⚠ WARNING



#### Peligro de Choque Eléctrico

Conecte a un contacto de pared de conexión a tierra de 3 terminales.

No quite el terminal de conexión a tierra del cable de alimentación.

No use un adaptador.

No use un cable eléctrico de extensión.

No seguir estas instrucciones puede ocasionar la muerte, incendio o choque eléctrico.

1. Conecte el aparato a un tomacorriente de 3 terminales con conexión a tierra.
2. Vuelva a colocar todas las piezas removibles en la puerta y los alimentos en el refrigerador.

**NOTA:** Este refrigerador comienza a funcionar apenas se conecta al suministro eléctrico.

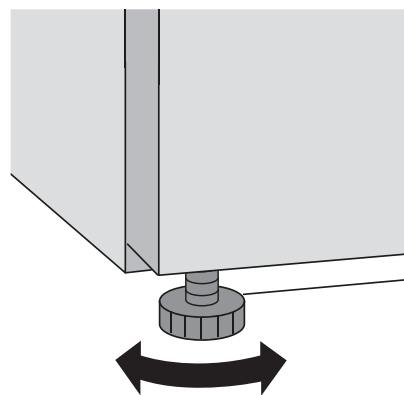
## PASO 4 - NIVELACIÓN Y AJUSTE DE LA PUERTA (SI ES NECESARIO)

El refrigerador debe estar nivelado para mantener un mejor desempeño y apariencia.

### NIVELACIÓN

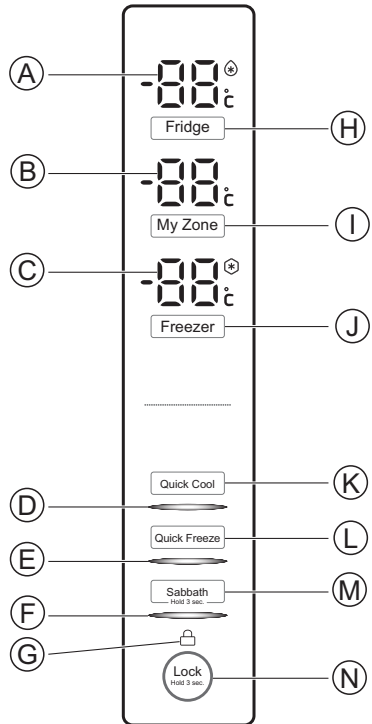
1. Mueva el refrigerador a su ubicación final.
2. Gire los pies en la parte inferior, la parte frontal del armario para subir o bajar ese lado del refrigerador hasta que el aparato esté nivelado de lado a lado.
3. Gire las dos patas frontales, la misma cantidad de veces, para elevar ligeramente el frente del refrigerador. Esto hará que las puertas se cierren con más facilidad.

**NOTA:** Para quitar un poco de peso de los tornillos niveladores, haga que alguien empuje la parte superior del refrigerador. Esto facilita el giro de los tornillos.



# USO DE SU REFRIGERADOR

## USO DE LOS CONTROLES



- |                                      |                               |
|--------------------------------------|-------------------------------|
| Ⓐ Refrigerator Temperature Indicator | Ⓗ Fridge Temperature Control  |
| Ⓑ My Zone Temperature Indicator      | Ⓘ My Zone Temperature Control |
| Ⓒ Freezer Temperature Indicator      | Ⓙ Freezer Temperature Control |
| Ⓓ Quick Cool Indicator               | Ⓚ Quick Cool Control          |
| Ⓔ Quick Freeze Indicator             | Ⓛ Quick Freeze Control        |
| Ⓕ Sabbath Indicator                  | Ⓜ Sabbath Mode Control        |
| Ⓖ Lock Indicator                     | Ⓝ Lock Control                |

### BOTONES TÁCTILES

The controls are touch pads, which respond when lightly touched.

### BLOQUEO DEL PANEL DE CONTROL

El panel de control se bloquea automáticamente después de 30 segundos sin uso. Para cambiar los ajustes, se debe desbloquear el panel de control.

#### Para bloquear el panel de control:

- Mantenga presionado LOCK (Bloqueo) durante 3 segundos. El indicador de bloqueo se apagará.



#### Para desbloquear el panel de control:

- Mantenga presionado LOCK (Bloqueo) durante 3 segundos. El indicador de bloqueo se encenderá.



### PANTALLA DE TEMPERATURA



Cuando no se utilizan los botones ni las puertas durante 30 segundos, se apagarán todas las luces LED en la pantalla del panel.

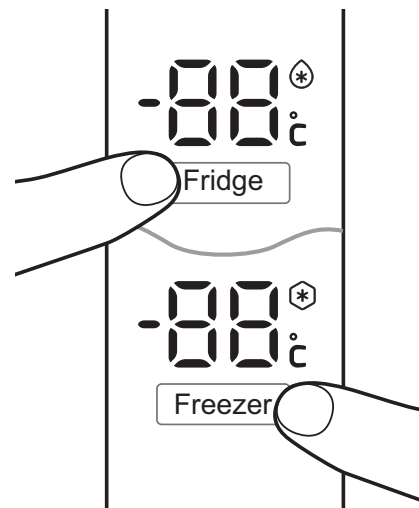
Cuando se presiona un botón o se abre una puerta, todas las luces LED en la pantalla del panel se iluminarán.

### SELECTOR DE UNIDADES

La función del selector de unidades le permite elegir entre mostrar la temperatura programada en grados Fahrenheit (°F) o grados Celsius (°C).

La unidad de temperatura predeterminada es grados Fahrenheit.

- Si está bloqueado, desbloquee el panel de control manteniendo presionado el botón LOCK (Bloqueo) durante 3 segundos.
- Mantenga presionado los botones FRIDGE (Refrigerador) y FREEZER (Congelador) al mismo tiempo durante 3 segundos. Aparecerá °C junto a la pantalla de temperatura para indicar que la unidad se ha cambiado a grados Celsius.
- Para volver a mostrar la temperatura programada en grados Fahrenheit, mantenga presionado FRIDGE (Refrigerador) y FREEZER (Congelador) al mismo tiempo durante 3 segundos. El símbolo °C desaparecerá de la pantalla de temperatura.





# USO DE SU REFRIGERADOR

## CONTROLES DE TEMPERATURA

El rango de temperatura para el compartimiento del refrigerador es de 34 °F a 42 °F (1 °C a 6 °C). El rango de temperatura para el compartimiento del congelador es de -6 °F a 4 °F (-21 °C a -16 °C). El rango de temperatura para el compartimiento My Zone es de 27 °F a 41 °F (-3 °C a 5 °C).

Los compartimientos del refrigerador y My Zone están prefijados en la temperatura recomendada de 37 °F (3 °C) y el compartimiento del congelador está prefijado en la temperatura recomendada de 0 °F (-18 °C). Cuando el refrigerador se conecta por primera vez, la pantalla mostrará los ajustes de temperatura recomendados.

### IMPORTANTE:

- El ajuste recomendado debe ser el correcto para un uso doméstico normal del refrigerador.
- Cuando el refrigerador se enciende por primera vez, puede tardar hasta 12 horas para enfriar hasta las temperaturas prefijadas. Espere 24 horas para que el refrigerador se enfríe completamente antes de agregar alimentos. Si agrega alimentos antes de que el refrigerador se haya enfriado por completo, podrían echarse a perder.
- Si la temperatura está demasiado elevada o demasiado baja en el refrigerador o en el congelador, antes de regular los controles, revise primero los ductos de ventilación para cerciorarse de que no estén obstruidos.

### Cómo ajustar los controles

No ajuste ningún control de temperatura en más de un ajuste por vez, excepto cuando encienda el refrigerador. Espere 24 horas entre los ajustes para que se establezca la temperatura.

**NOTA:** No se puede regular la temperatura si está activada otra función de control como Quick Freeze (Congelamiento rápido), Quick Cool (Enfriamiento rápido) o modo Sabbath (Día de descanso) o si está bloqueado el panel de control. El indicador correspondiente se iluminará y se oír un sonido.

### Para regular la temperatura del refrigerador:

1. Si está bloqueado, desbloquee el panel de control manteniendo presionado el botón LOCK (Bloqueo) durante 3 segundos.
2. Presione el botón Fridge (Refrigerador) para regular la temperatura.



**NOTA:** La temperatura aumenta en un grado y se oye un sonido cada vez que presiona el botón. Después de 5 segundos sin presionar ningún botón, el ajuste de temperatura se confirma de forma automática.

### Para regular la temperatura del congelador:

1. Si está bloqueado, desbloquee el panel de control manteniendo presionado el botón LOCK (Bloqueo) durante 3 segundos

2. Presione el botón Freezer (Congelador) para regular la temperatura.



**NOTA:** La temperatura se reduce en un grado y se oye un sonido cada vez que presiona el botón. After 5 seconds have passed with no button being pressed Después de 5 segundos sin presionar ningún botón, el ajuste de temperatura se confirma de forma automática.

### Para ajustar la temperatura de My Zone:

1. Si está bloqueado, desbloquee el panel de control manteniendo presionado el botón LOCK (Bloqueo) durante 3 segundos.
2. Presione el botón MY ZONE para regular la temperatura

### NOTAS:

- La temperatura aumenta de a dos grados F (un grado C) y se oye un sonido cada vez que presiona el control.
- La temperatura del compartimiento My Zone no se puede ajustar a una temperatura más cálida que el compartimiento del refrigerador.



3. Presione cualquier control excepto My Zone para confirmar. La luz indicadora dejará de parpadear.

**NOTA:** El ajuste de temperatura se confirmará automáticamente después de 5 segundos.

Setting	Description
35°F - 41°F (2°C - 5°C)	<b>Frutas y verduras</b> Adecuado para almacenar frutas y verduras.
27°F (-3°C)	<b>Descongelación de Alimentos y Frío Rápido</b> Adecuada para descongelar comidas que estuvieron en el freezer y enfriar bebidas de forma rápida
29°F - 35°F (-2°C - 2°C)	<b>Carnes</b> Adecuado para almacenar pescado fresco, carne y alimentos cocidos durante 1 a 2 días.

# USO DE SU REFRIGERADOR

## QUICK COOL

La función Quick Cool (Enfriamiento rápido) acelera el enfriamiento de los alimentos frescos y protege los alimentos ya almacenados del calentamiento no deseado.

1. Si está bloqueado, desbloquee el panel de control manteniendo presionado el botón LOCK (Bloqueo) durante 3 segundos.



2. Presione el botón Quick Cool (Enfriamiento rápido). Los indicadores de Quick Cool (Enfriamiento rápido) se iluminarán.



3. Repita los pasos 1 y 2 para apagar de forma manual la función Quick Cool (Enfriamiento rápido).

**NOTA:** Quick Cool (Enfriamiento rápido) se apagará de forma automática después de 3 horas.

## CONGELAMIENTO RÁPIDO

La función Quick Freeze (Congelamiento rápido) acelera el congelamiento de los alimentos frescos y protege los alimentos congelados del calentamiento no deseado. Si necesita congelar una gran cantidad de alimentos, se recomienda seleccionar la función Quick Freeze (Congelamiento rápido) algunas horas antes.

1. Si está bloqueado, desbloquee el panel de control manteniendo presionado el botón LOCK (Bloqueo) durante 3 segundos.



2. Presione el botón Quick Freeze (Congelamiento rápido). Los indicadores de Quick Freeze (Congelamiento rápido) se iluminarán.



3. Repita los pasos 1 y 2 para apagar manualmente la función Quick Freeze (Congelamiento rápido).

**NOTA:** Quick Freeze (Congelamiento rápido) se apagará automáticamente después de 24 horas.

## SABBATH

La función Sabbath (Día de descanso) ha sido diseñada para aquellas personas cuyas prácticas religiosas requieren apagar las luces. Se desactivarán todas las luces interiores y las alarmas.

1. Si está bloqueado, desbloquee el panel de control manteniendo presionado el botón LOCK (Bloqueo) durante 3 segundos.
2. Mantenga presionado SABBATH (Día de descanso) durante 3 segundos hasta que se ilumine el indicador Sabbath (Día de descanso).

### NOTAS:

- Se desactivarán todas las luces y los tonos de alerta.
- Si estaba activada la función Quick Cool (Enfriamiento rápido) y Quick Freeze (Congelamiento rápido), el modo Sabbath (Día de descanso) desactiva estas funciones de forma automática.
- El panel de control permanecerá desbloqueado mientras se encuentre en el modo Sabbath (Día de descanso).



3. Para quitar la selección del modo Sabbath (Día de descanso), mantenga presionado el botón SABBATH (Día de descanso) durante 3 segundos.

## CARACTERÍSTICAS

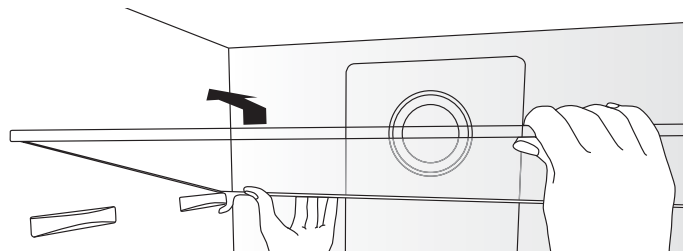
### Información importante acerca de los estantes y tapas de vidrio:

No limpie los estantes y tapas de vidrio con agua caliente mientras estén fríos. Los estantes y tapas pueden romperse si se exponen a cambios bruscos de temperatura o a impactos como golpes bruscos. El vidrio templado se ha diseñado para hacerse añicos. Esto es normal. Los estantes y tapas de vidrio son muy pesados. Use ambas manos al quitarlos para evitar que se caigan.

## ESTANTES REGULABLES

La altura de los estantes se puede regular para adaptarse a sus necesidades de almacenamiento.

1. Para quitar un estante, levante la parte frontal y el borde posterior para desenganchar los ganchos del estante de los soportes del estante a lo largo de la pared del refrigerador y quitarlo.



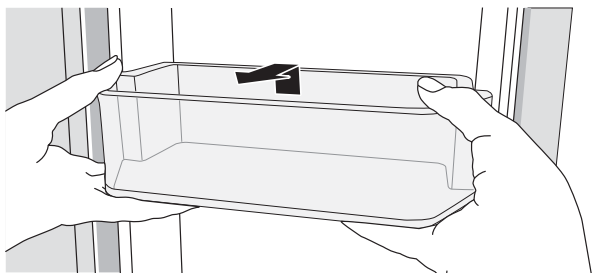
2. Para volver a instalar un estante, colóquelo en los soportes frontales y traseros. Empuje el estante hacia la parte trasera del refrigerador hasta la parte posterior de los ganchos del estante alrededor de los soportes del estante trasero.

# USO DE SU REFRIGERADOR

## RECIPIENTES DE LA PUERTA DESMONTABLES

Para quitar y volver a colocar un recipiente de la puerta:

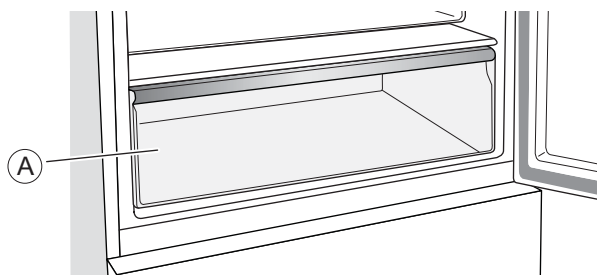
1. Coloque las manos a ambos lados del recipiente y levántelo hacia arriba para sacarlo.
2. Para volver a colocar un recipiente de la puerta, insértelo por encima del soporte y presione hacia abajo para trabar.



## CAJÓN MY ZONE

El compartimiento My Zone le permite almacenar alimentos delicados a la temperatura correcta para garantizar un valor nutricional óptimo.

**NOTA:** No se recomienda utilizar My Zone para almacenar quesos o frutas y verduras sensibles al frío tales como aguacates, bananas, papas, pepinos y tomates.



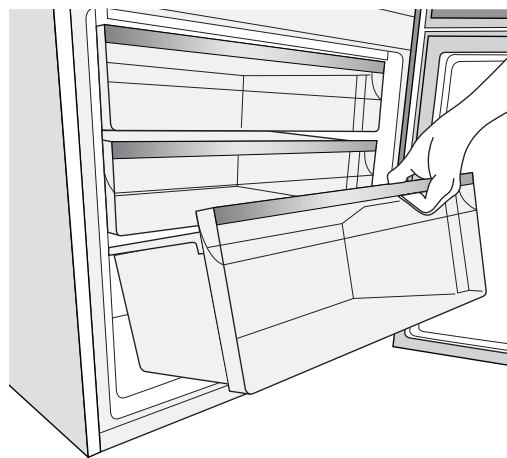
Ⓐ My Zone Drawer

## CAJONES DEL DEPÓSITO DEL CONGELADOR DESMONTABLE

**IMPORTANTE:** No sobrecargue los cajones.

Para quitar y volver a colocar un cajón del congelador:

1. Quite el cajón del congelador extendiendo el cajón por completo, y luego levante el cajón y jale hacia fuera para quitarlo.



2. Vuelva a colocar el cajón inclinando la parte trasera del cajón hacia abajo sobre el soporte y deslícelo hacia adentro.

# CUIDADO DEL REFRIGERADOR

## LIMPIEZA

Tanto las secciones del refrigerador como la del congelador se descongelan automáticamente. No obstante, limpie ambas secciones más o menos una vez al mes para evitar la acumulación de olores. Limpie los derrames de inmediato.

Debido a que el aire circula entre ambas secciones, cualquier olor que se forma en una sección pasará a la otra. Debe limpiar bien ambas secciones para eliminar los olores. Para evitar la transferencia de olores y la deshidratación de los alimentos, envuelva o tape bien los alimentos.

### IMPORTANTE:

- No use productos químicos fuertes, amoníaco, blanqueador con cloro, detergente concentrado, solventes o estropajos de metal o abrasivos para limpiar su refrigerador por dentro o por fuera. Estos pueden dañar o decolorar el acabado del refrigerador.
- No utilice agua tibia para limpiar los estantes de vidrio mientras aún están fríos. El vidrio se podría romper si se lo expone a cambios bruscos de temperatura o a impactos.

## ⚠ ADVERTENCIA



### Peligro de choque eléctrico

Desenchufe el aparato o desconecte el suministro de energía antes de limpiarlo.

No seguir esta instrucción puede ocasionar la muerte, choque eléctrico o daños personales..

1. Desenchufe el refrigerador o desconecte el suministro de energía.
2. Limpie el interior. Lave a mano, enjuague y seque bien todas las piezas removibles y las superficies interiores. Use una esponja limpia o un paño liso y un detergente suave en agua tibia.
3. Limpie las superficies exteriores.

**Metal pintado:** Limpie el exterior de metal pintado con un paño limpio y liso, o una esponja y detergente suave en agua tibia. Enjuague las superficies con agua tibia limpia y séquelas inmediatamente para evitar las manchas de agua.

**Acero inoxidable:** El acero inoxidable es resistente a la corrosión y no a prueba de corrosión. Para ayudar a evitar la corrosión del acero inoxidable, lave las superficies de acero inoxidable con un paño limpio y liso o una esponja y un detergente suave en agua tibia. Enjuague las superficies con agua tibia limpia y séquelas inmediatamente para evitar las manchas de agua.

**NOTA:** Cuando limpie el acero inoxidable, siempre hágalo en la dirección de la veta para evitar rayas perpendiculares a esta.

4. Enchufe el refrigerador o vuelva a conectar el suministro de energía.

# CUIDADO DEL REFRIGERADOR

## LUCES

Las luces del interior del refrigerador se apagan cuando las puertas están abiertas durante más de 7 minutos.

**IMPORTANTE:** El refrigerador está equipado con luces LED. Estas luces se diseñaron para durar toda la vida útil del refrigerador. Sin embargo, si las luces dejan de funcionar, llame a un técnico calificado para su reemplazo.

## CUIDADO DURANTE LAS VACACIONES Y MUDANZAS

### VACACIONES

**Si usted decide dejar el refrigerador funcionando mientras está ausente:**

1. Use todos los artículos perecederos y congele el resto.

**Si decide apagar el refrigerador antes de irse:**

1. Quite toda la comida del refrigerador y del congelador.
2. Desenchufe el refrigerador o desconecte el suministro de energía.
3. Limpie el refrigerador, pásele un trapo y séquelo bien.
4. Fije bloques de goma o de madera con cinta adhesiva en la parte superior de ambas puertas para que queden abiertas y el aire circule. Esto evita que se formen olores y se desarrollen hongos.

## MUDANZA

### ⚠ ADVERTENCIA

#### Excessive Weight Hazard

**Use two or more people to move and install refrigerator. Failure to do so can result in back or other injury.**

Si Ud. muda su refrigerador a una casa nueva, siga estos pasos para prepararse para la mudanza.

1. Saque todos los alimentos del refrigerador y empaque todos los alimentos congelados en hielo seco.
2. Desenchufe el refrigerador.
3. Limpie, enjuague y seque bien.
4. Saque todas las piezas removibles, envuélvalas bien y asegúrelas con cinta adhesiva para que no se muevan ni se sacudan durante la mudanza.
5. Levante las patas niveladoras para que no dañen el piso. Vea "Nivelación".
6. Sostenga las puertas para que queden cerradas y el cable pegado a la parte posterior del refrigerador con cinta adhesiva.
7. Cuando llegue a la casa nueva, coloque todo de nuevo en su sitio y lea la sección "Instrucciones de instalación" para obtener instrucciones de preparación.

## CÓMO VOLVER A INSTALAR O USAR EL REFRIGERADOR NUEVAMENTE

Si el refrigerador ha sido colocado en posición horizontal o se ha inclinado durante algún período de tiempo, espere 24 horas antes de enchufarlo para permitir que el refrigerante se asiente.

1. Limpie el refrigerador. Vea "Limpieza".
2. Coloque el refrigerador en la ubicación deseada y nivélelo. Vea "Instrucciones de instalación".

# SOLUCIÓN DE PROBLEMAS

Pruebe las soluciones sugeridas aquí y posiblemente se evite el gasto de una visita de servicio técnico.

## EL REFRIGERADOR NO FUNCIONA

PROBLEMA	CAUSAS POSIBLES	SOLUCIÓN
<b>El refrigerador no funciona</b>	El refrigerador no está enchufado.	Enchufe el refrigerador en un tomacorriente de pared de 3 terminales con conexión a tierra.
	Se ha disparado o se ha apagado el cortacircuitos/Se ha quemado un fusible.	Reajuste/Encienda el cortacircuitos o reemplace el fusible.
	El refrigerador está en modo de descongelación.	Espere unos 40 minutos para que finalice el ciclo de descongelación y se reanude el sistema de refrigeración.
<b>El compresor del refrigerador funciona con frecuencia o durante largos periodos de tiempo</b> <b>NOTA: Este refrigerador ha sido diseñado para funcionar durante períodos más largos de tiempo con un consumo de energía más bajo.</b>	El refrigerador se enchufó por primera vez.	Esto es normal. Deje transcurrir 12 horas para que el refrigerador se enfríe.
	Se han agregado alimentos tibios o una gran cantidad de alimentos.	Esto es normal.
	La porte a été laissée ouverte, o el refrigerador no está nivelado.	Asegúrese de que la puerta no queda abierta a causa de un artículo. Nivele el refrigerador. Vea "Nivelación".
	Hace calor o se abre con frecuencia.	Esto es normal.
	Control de temperatura fijo en la posición más fría.	Ajuste la temperatura a un ajuste más caliente.
<b>El refrigerador huele mal</b>	Los alimentos no están sellados o envasados correctamente.	Vuelva a sellar los envases. Coloque una caja abierta con bicarbonato de sodio en el refrigerador y cámbiela cada 3 meses.
	Debe limpiar el interior.	Limpie el interior. Vea "Limpieza".
	Se han guardado los alimentos por mucho tiempo.	Deseche los alimentos que se han echado a perder.
<b>La luz no se enciende</b>	El refrigerador no está enchufado.	Enchufe el refrigerador en un tomacorriente de pared de 3 terminales con conexión a tierra.
	La luz LED está quemada.	Llame a un técnico calificado para cambiar la luz LED quemada.
	Se activó el modo Sabbath (Día de descanso).	Las luces están desactivadas en el modo Sabbath (Día de descanso). Para encender las luces, debe apagar el modo Sabbath (Día de descanso). Para conocer las instrucciones, vea "Día de descanso".
<b>Las puertas no cierran correctamente</b>	El refrigerador no está nivelado.	Vea "Nivelación".
	Algo está obstruyendo el cierre de la puerta.	Revise si hay obstrucciones y quitelas.
<b>Vibración o traqueteo</b>	El refrigerador no está apoyado firmemente en el suelo.	Vea "Nivelación".
<b>Sonidos normales</b>	Se escucha un sonido como si fluyera agua del refrigerador.	El refrigerante que fluye por las líneas hace este sonido cuando se enciende y se apaga el compresor. El refrigerador tiene un sistema de descongelación automático. El sonido es ocasionado por el agua descongelada.
	Zumbidos o chirridos	Este sonido es ocasionado por el compresor y los ventiladores de circulación de aire frío. Si el refrigerador no está nivelado, el sonido será más fuerte.
	Crujidos o chasquidos	Este sonido es ocasionado por las piezas interiores cuando se contraen y se expanden en respuesta a los cambios de temperatura.

# SOLUCIÓN DE PROBLEMAS

## TEMPERATURA Y HUMEDAD

PROBLEMA	CAUSAS POSIBLES	SOLUCIÓN
<b>Refrigerador o congelador demasiado caliente</b>	El control de temperatura no está en un ajuste suficientemente bajo.	Ajuste el compartimiento a un ajuste más frío; espere 12 horas para que se ajuste la temperatura.
	Las puertas se abren con frecuencia o quedan abiertas.	Limite la cantidad de aperturas de la puerta para mantener la temperatura interna / Verifique que no haya un paquete que evite que se cierre la puerta.
	Se agregaron alimentos calientes recientemente.	Deje transcurrir un rato para que se enfrien los alimentos y el refrigerador.
	El espacio entre la parte posterior del refrigerador y la pared es demasiado pequeño.	Deje un espacio de por lo menos 2" (5 cm) entre la parte posterior del refrigerador y la pared.
	Los artículos ubicados contra la parte posterior de los compartimientos están bloqueando el flujo de aire adecuado.	Almacene los artículos únicamente dentro de los estantes de vidrio; no coloque los artículos contra los lados de los compartimientos o directamente enfrente de los ductos de ventilación.
<b>Refrigerador o congelador demasiado frío</b>	El control de temperatura se fijó en un ajuste demasiado bajo.	Fije la temperatura en el compartimiento en el próximo ajuste más cálido; espere 24 horas para que se ajuste.
<b>Humedad en el exterior/ interior del refrigerador</b>	Humedad elevada	Es normal cuando la humedad es elevada. Seque la superficie y fije la temperatura en un ajuste ligeramente más frío.
	Las puertas se abren con frecuencia o quedan abiertas.	Mantenga la puerta cerrada. Verifique que no haya un paquete que evite que se cierre la puerta. Nivele el refrigerador. Vea "Nivelación".
	Recipiente con agua abierto en el refrigerador	Cubra o selle el recipiente.
<b>Escarcha o cristales de hielo en alimentos congelados</b>	La porte du congélateur est restée ouverte ou est ouverte trop fréquemment, o el refrigerador no está nivelado.	Limite la cantidad de aperturas de la puerta para mantener la temperatura interna. / Verifique que no haya un elemento que evite que se cierre la puerta Nivele el refrigerador. Vea "Nivelación".
	Los artículos bloquean los ductos de ventilación del congelador e impiden el flujo de aire adecuado.	Aleje los artículos de la pared trasera.
<b>Se congelan los alimentos en el refrigerador</b>	Alimentos colocados demasiado cerca del ducto de ventilación.	Aleje los artículos de la parte posterior y superior del refrigerador.
	El control de temperatura tiene un ajuste demasiado frío.	Ajuste la temperatura a un ajuste menos frío.

SI NECESITA MÁS AYUDA, VISITE [HAIERAMERICA.COM](http://HAIERAMERICA.COM) O COMUNÍQUESE CON LA LÍNEA DE AYUDA AL CONSUMIDOR LLAMANDO AL 1-877-337-3639.

# GARANTÍA LIMITADA

## 12 Meses para Piezas y Trabajos

Durante 12 meses desde la fecha de compra minorista original, GE Appliances reemplazará cualquier pieza del refrigerador que falle debido a un defecto en los materiales o la fabricación. GE Appliances podrá, a su criterio, reemplazar o realizar la reparación de la unidad defectuosa. En caso de que GE Appliances decida realizar el servicio técnico sobre la unidad, GE Appliances brindará sin costo cualquier pieza que falle debido a un defecto en los materiales o la fabricación, junto con cualquier trabajo o costos relacionados con el servicio para reemplazar la pieza defectuosa. Durante este período, si GE Appliances decide reemplazar la unidad, podrá hacerlo brindándole a usted un certificado canjeable en un minorista, el cual podrá ser usado para un producto de reemplazo.

El producto deberá estar accesible, sin obstáculos y deberá ser instalado de forma apropiada para poder recibir el servicio de reparación correspondiente a la garantía.

**NOTA:** Esta garantía comienza en la fecha de compra de este producto, y el recibo original deberá presentarse al representante autorizado de servicio antes de hacerse las reparaciones bajo la garantía.

### PARA OBTENER SERVICIO BAJO LA GARANTÍA

Para los clientes de EE.UU., todo el servicio de garantía deberá ser provisto por nuestros Centros de Servicio de Fabricación, o por un técnico autorizado del Servicio al Cliente. Para programar el servicio técnico, visite [HaierAppliances.com](http://HaierAppliances.com). En Canadá, visite [HaierAppliances.ca](http://HaierAppliances.ca).

Cuando llame para solicitar el servicio, tenga los números de serie y modelo disponibles.

**EXCLUSIÓN DE GARANTÍAS IMPLÍCITAS - Su única y exclusiva alternativa es la reparación del producto, como se indica en la Garantía Limitada. Las garantías implícitas, incluyendo garantías implícitas de comerciabilidad o conveniencia sobre un propósito particular, se limitan a un año o al período más corto permitido por la ley.**

**Para Clientes de EE.UU.:** Esta garantía se extiende al comprador original y a cualquier dueño subsiguiente de productos comprados para uso hogareño dentro de EE.UU. Si el producto está en un área donde no se encuentra disponible un Proveedor Autorizado del Servicio Técnico de GE Appliances, usted será responsable por el costo de un viaje o se podrá requerir que traiga el producto a una ubicación del Servicio Técnico de GE Appliances Autorizado para recibir el servicio. En Alaska, la garantía excluye el costo de envío o llamadas del servicio a su hogar.

Algunos estados no permiten la exclusión o limitación de daños fortuitos o consecuentes. Esta garantía le da derechos legales específicos y es posible que tenga otros derechos legales que varían entre un estado y otro. Para conocer cuáles son sus derechos legales, consulte a la oficina de asuntos del consumidor local o estatal o al Fiscal de su estado.

**Garanter US:**  
**GE Appliances, a Haier company**  
**Louisville, KY 40225**

**Para Clientes en Canadá:** Esta garantía se extiende al comprador original y a cualquier dueño subsiguiente de productos comprados para uso hogareño dentro de Canadá. El servicio técnico hogareño de la garantía será brindado en áreas donde Mabe se encuentre disponible y lo considere apropiado.

**Garanter Canada:**  
**MC Commercial, Burlington, Ontario, L7R 5B6**

## Lo que no está cubierto bajo esta garantía:

Viajes del técnico del servicio a su hogar para enseñarle sobre cómo usar el producto.

Instalación inadecuada, entrega o mantenimiento.

Fallas del producto en caso de abuso, mal uso, o uso para propósitos diferentes al original o uso comercial.

Pérdida de alimentos por mal estado.

Daño causado después de la entrega.

Reemplazo de fusibles de la casa o reinicio de disyuntores.

Reemplazo de las bombillas de luz.

Daños ocasionados sobre el producto por accidente, incendio, inundaciones o catástrofes naturales.

Daños consecuentes o incidentales causados por posibles defectos de este producto.

Producto no accesible para brindar el servicio requerido.

Costos asociados cuando GE Appliances decide entregar al consumidor un certificado como forma de reemplazo del producto.

Daños sobre el acabado, tales como superficie oxidada, deslustre o manchas pequeñas no informadas dentro de las 48 horas luego de la entrega.

Productos que no presenten defectos ni estén rotos, o que estén funcionando de acuerdo con lo descrito en el Manual del Propietario.