



WASHERS

SAFETY INFORMATION 3

USING THE WASHER

Getting Started 5

WiFi Connect 14

Loading 15

CARE AND CLEANING 16

INSTALLATION INSTRUCTIONS 18

Reversing The Door Swing (Optional)..... 23

TROUBLESHOOTING TIPS..... 27

LIMITED WARRANTY 31

CONSUMER SUPPORT 32

OWNER'S MANUAL & INSTALLATION INSTRUCTIONS

GFW850
GFW650
GFW550
GFW510

ENGLISH/FRANÇAIS

Write the model and serial numbers here:

Model # _____

Serial # _____

You can find them on a label inside the washer door.



THANK YOU FOR MAKING GE APPLIANCES A PART OF YOUR HOME.

Whether you grew up with GE Appliances, or this is your first, we're happy to have you in the family.

We take pride in the craftsmanship, innovation and design that goes into every GE Appliances product, and we think you will too. Among other things, registration of your appliance ensures that we can deliver important product information and warranty details when you need them.

Register your GE appliance now online. Helpful websites and phone numbers are available in the Consumer Support section of this Owner's Manual. You may also mail in the pre-printed registration card included in the packing material.



IMPORTANT SAFETY INFORMATION

READ ALL INSTRUCTIONS BEFORE USING THE APPLIANCE

▲ WARNING

To reduce the risk of death, fire, explosion, electric shock, or injury to persons when using your appliance, follow basic precautions, including the following:

- Read all instructions before using the appliance.
- Follow all fabric care instructions and warnings to prevent melting of garments or damage to the appliance.
- **DO NOT** wash or dry articles that have been previously cleaned in, washed in, soaked in or spotted with gasoline, dry-cleaning solvents, or other flammable or explosive substances, as they give off vapors that could ignite or explode.
- **DO NOT** add gasoline, dry-cleaning solvents, or other flammable or explosive substances to the wash water. These substances give off vapors that could ignite or explode.
- Under certain conditions, hydrogen gas may be produced in a hot-water system that has not been used for 2 weeks or more. **HYDROGEN GAS IS EXPLOSIVE.** If the hot water system has not been used for such a period, before using a washing machine, turn on all hot-water faucets and let the water flow from each for several minutes. This will release any accumulated hydrogen gas. As the gas is flammable, **DO NOT** smoke or use an open flame during this time.
- **DO NOT** allow children to play on or in this appliance. Close supervision of children is necessary when this appliance is used near children. Before the washer is removed from service or discarded, remove the door or lid. Failure to follow these instructions may result in death or injury to persons.
- **DO NOT** reach into the appliance if the tub or agitator is moving to prevent accidental entanglement.
- **DO NOT** install or store this appliance where it will be exposed to the weather.
- **DO NOT** tamper with controls, repair or replace any part of this appliance or attempt any servicing unless specifically recommended in the user maintenance instructions or in published user repair instructions that you understand and have the skills to carry out.
- **DO NOT** climb or stand on this unit.
- **DO NOT** operate this appliance if it is damaged, malfunctioning, partially disassembled, or has missing or broken parts including a damaged cord or plug.
- Unplug the appliance or turn off the circuit breaker before servicing. Pressing the **Power** pad **DOES NOT** disconnect power.
- See “ELECTRICAL REQUIREMENTS” located in the Installation Instructions for grounding instructions.

READ AND SAVE THESE INSTRUCTIONS

IMPORTANT SAFETY INFORMATION

READ ALL INSTRUCTIONS BEFORE USING THE APPLIANCE

PROPER INSTALLATION

This washer must be properly installed and located in accordance with the Installation Instructions before it is used.

- Ensure that the hot water hose is connected to the “H” valve and the cold water hose is connected to the “C” valve.
- Install or store where it will not be exposed to temperatures below freezing or exposed to the weather, which could cause permanent damage and invalidate the warranty.
- Properly ground washer to conform with all governing codes and ordinances. Follow details in the Installation Instructions.
- Ensure washer is properly leveled and washer legs are adjusted such that unit is stable.
- Optional drain hose extension recommended for discharging heights from 60” - 96”.
- GE Appliances strongly recommends the use of factory specified parts. A list of factory hoses available for purchase are listed. These hoses are manufactured and tested to meet GE Appliances specifications.
- GE Appliances strongly recommends the use of new water supply hoses. Hoses degrade over time and need to be replaced every 5 years to reduce the risk of hose failures and water damage.

WHEN NOT IN USE

- Turn off water faucets to minimize leakage if a break or rupture should occur. Check the condition of the fill hoses; GE Appliances recommends changing the hoses every 5 years.

PARTS AND ACCESSORIES

Order on-line at GEApplianceparts.com today, 24 hours a day or by phone at 877.959.8688 during normal business hours. In Canada, visit your local GE Appliances parts distributor or call 800.661.1616 or GEAppliances.ca/en/products/parts-filters-accessories.

Part Number	Accessory
WX14X10011	6 ft stainless steel washer hoses with 90° elbows; 2-pack
WH49X316	Washer drain hose extension kit
WX10X10011	Tide® Washing Machine Cleaner*
PM7X2	Universal low profile washer floor tray
GFA28KITN	Stack Bracket Kit (to stack dryer on top)
GFP1528S	28” width Pedestal with drawer – White
GFP1528P	28” width Pedestal with drawer – Colors

*Tide® is a registered trademark of Procter & Gamble

READ AND SAVE THESE INSTRUCTIONS

Getting started

⚠ WARNING To reduce the risk of fire, electric shock, or injury to persons, read the IMPORTANT SAFETY INFORMATION before operating this appliance.

Throughout this manual, features and appearance may vary from your model.

Quick Start:

Step 1

Load clothes into your washer and close the door.



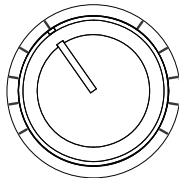
Step 2

If the screen is dark, press the Power pad or turn the knob to “wake up” the display.



Step 3

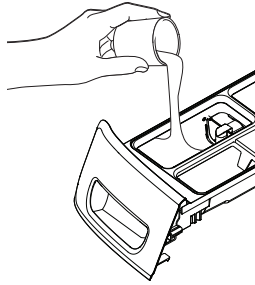
Turn the knob to select the desired cycle.



(cycle options vary by model)

Step 4

Open the dispenser and add detergent, bleach and fabric softener, as desired. Models with SmartDispense™ only require that you select the SmartDispense pad once the tank has been filled.



Step 5

Press Start to begin the wash cycle. The machine will weigh your clothes and add the proper amount of water. When the wash cycle is finished, the door will unlock.



Step 6

After the wash cycle is completed and the clothes unloaded, select **ULTRAFRESH VENT™** to help eliminate the excess moisture in your washer so you can close the door.



Display and Status Lights (Features and appearance will vary)



The display shows the approximate time remaining until the end of the cycle and the washer cycle status (**Fill, Wash, Rinse** and **Spin**).

NOTE: The cycle time is affected by how long it takes the washer to fill. This depends on the water pressure in your home. The “smart” timer “learns” the amount of time it takes to fill your washer and adjusts the total time accordingly.

If an out-of-balance condition is detected by the washer, the **Spin** light will blink during the remaining portion of the cycle and will stay illuminated for a short time after cycle completion. When this occurs, the washer is taking actions to correct the out-of-balance condition and complete the cycle normally. In some cases, the washer may not be able to balance the load and spin up to full speed. If you notice the load is more wet than usual at the end of the cycle, redistribute the load evenly in the wash tub and run a **Rinse & Spin** cycle.

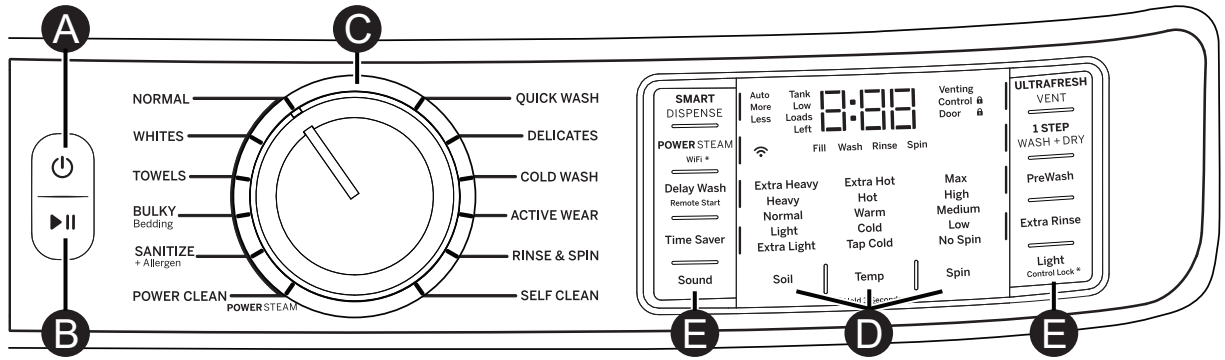
In addition, the display will show:

(WiFi)	Will allow your appliance to communicate with your smartphone for remote appliance monitoring, control and notifications. It stays lit whenever the washer is on and is connected. It will blink during the commissioning process or if it loses connection to the network.
Venting	Venting will blink to indicate that you can select the ULTRAFRESH VENT feature at the end of the cycle. It then stays illuminated once selected until venting is complete.
Control	The controls on the washer are locked when this icon is illuminated. You must press and hold the Control Lock pad to unlock the controls.
Door	This icon will illuminate while the door is locked and will blink while the washer is in the process of pausing and then unlocking.
Auto, More, Less (on some models)	The SmartDispense will automatically dose detergent according to the weight and soil level of the clothes. You can adjust this feature to dose 40% MORE or 40% LESS detergent or turn it OFF to manually dose detergent.
Tank Low (on some models)	Will display when the SmartDispense tank needs to be re-filled. Typically, this first lights up when there are approximately 8 - 10 loads of detergent remaining.
Loads Left (on some models)	Displays the estimated number of wash loads left for the amount of detergent in the SmartDispense tank.

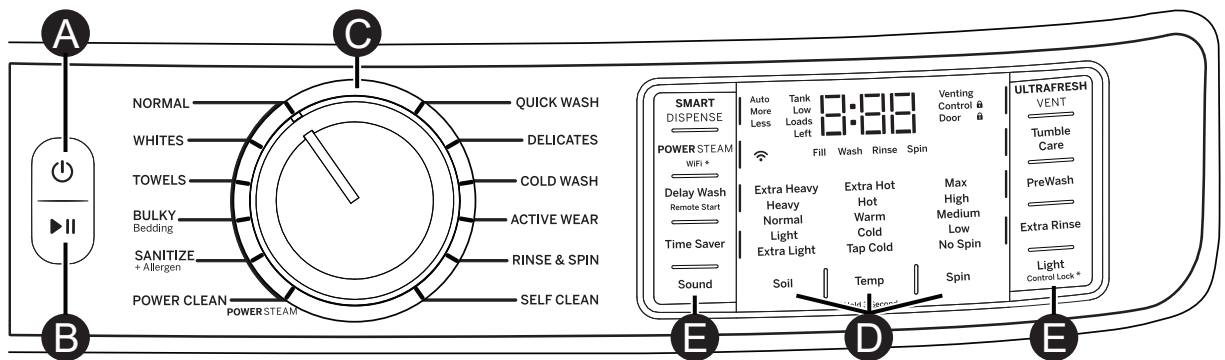
Getting started

Features and appearance will vary.

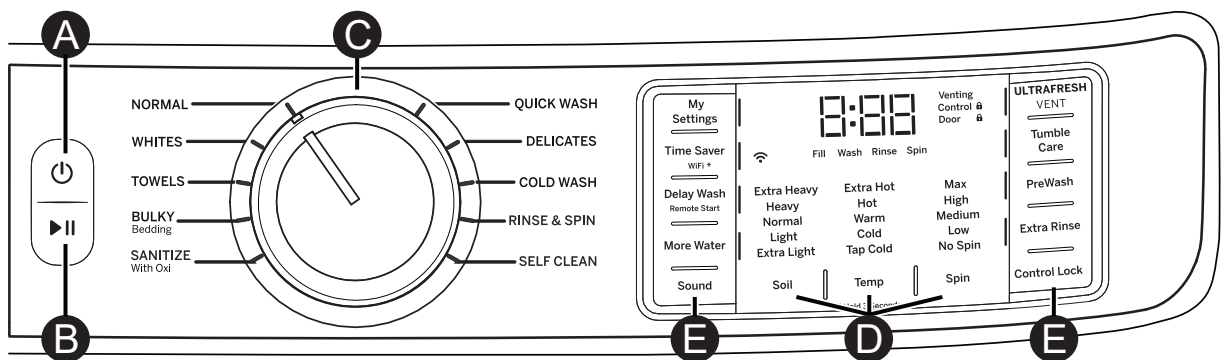
Models:
GFW850



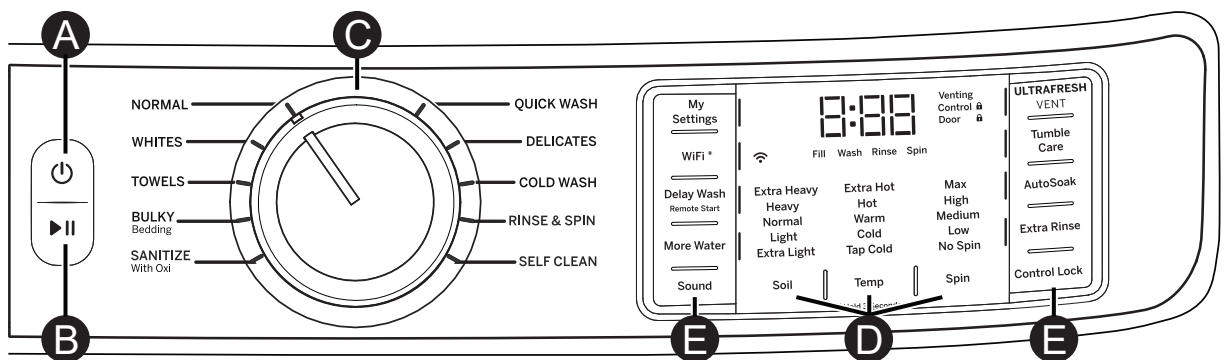
Models:
GFW650



Models:
GFW550



Models:
GFW510



- A Power**
Press to “wake up” the display. If the display is active, press to put the washer into standby “OFF” mode.
NOTE: Pressing **Power** does not disconnect the appliance from the power supply.
- B Start and Pause**
Press to start a wash cycle. If the washer is running, pressing it once will pause the washer and unlock the door. It will take a few seconds for the door to unlock after pressing **Pause**. Press again to restart the wash cycle.
NOTE: If washer is paused and cycle is not restarted within 15 minutes, the current wash cycle will be cancelled.
NOTE: The washer performs automatic system checks after pressing the **Start** pad. Water will flow in 45 seconds or less. You may hear the door lock and unlock and the pump activate before water flows.

Getting started

C Wash Cycles

The wash cycles are optimized for specific types of wash loads. The chart below will help you match the items to be washed with the best wash cycle settings. For optimal performance, select the cycle that most closely matches the items being washed. Selections and options shown in **bold** are the suggested settings for that cycle. **Delay Wash/Remote Start** is available on all cycles.

Wash Cycle	Items to Wash	Soil Level	Wash Temp	Spin Selection	Options Available
Normal	Cycle for normal, regular, or typical use for washing up to a full load of normally soiled cotton clothing.	Extra Heavy Heavy Normal Light Extra Light	Extra Hot Hot Warm Cold Tap Cold	Max High Medium	Prewash* or Autosoak* Power Steam* Time Saver* Extra Rinse Tumble Care* or 1 Step Wash + Dry*
Whites	Whites and household linens.	Extra Heavy Heavy Normal Light Extra Light	Extra Hot Hot Warm Cold Tap Cold	Max High Medium Low	Prewash* or Autosoak* Power Steam* Time Saver* More Water* Extra Rinse Tumble Care* or 1 Step Wash + Dry*
Towels	Towels, sheets, pillowcases and dish rags.	Extra Heavy Heavy Normal Light Extra Light	Hot Warm Cold Tap Cold	Max High Medium Low	Prewash* or Autosoak* Power Steam* Time Saver* More Water* Extra Rinse Tumble Care* or 1 Step Wash + Dry*
Bulky Bedding	Large coats, bed spreads, mattress covers, sleeping bags, and similar large bulky items.	Extra Heavy Heavy Normal Light Extra Light	Hot Warm Cold Tap Cold	Max High Medium Low	Prewash* or Autosoak* Power Steam* Time Saver* More Water* Extra Rinse Tumble Care* or 1 Step Wash + Dry*
Sanitize+ Allergen*	Heavily soiled colorfast items with the need for sanitization.	Extra Heavy Heavy	Extra Hot	Max High Medium Low	Prewash Power Steam* Extra Rinse Tumble Care* or 1 Step Wash + Dry*
Sanitize With Oxi*	Heavily soiled colorfast items with the need for sanitization.	Extra Heavy Heavy	Extra Hot	Max High Medium Low	Prewash* or Autosoak* Extra Rinse Tumble Care

*Some cycles and options may not be available on some models.

NOTE:

The **SANITIZE + Allergen** cycle's water temperatures CANNOT be changed. This cycle utilizes elevated water temperature and a longer wash cycle to kill dust mites and reduce 99% of common bacteria from fabrics. A pump purge and extended rinse is incorporated for the purpose of removing contaminants and allergens, such as pet dander.

The **SANITIZE With Oxi** cycle's water temperatures CANNOT be changed. This cycle, when using an Oxi additive along with your detergent, is designed to remove 99% of bacteria found in home laundry. Measure the detergent and the Oxi products carefully. Using the amounts appropriate for a large heavily soiled load in a front load washer, follow the detergent and the Oxi product label instructions. The washer hot water supply connection must provide a minimum of 120°F to ensure the effectiveness of this cycle.

Only the **SANITIZE + Allergen** and **SANITIZE With Oxi** cycles have been designed to meet the requirements of sanitizing effectiveness.

Getting started

🌀 Wash Cycles - Continued

The wash cycles are optimized for specific types of wash loads. The chart below will help you match the items to be washed with the best wash cycle settings. For optimal performance, select the cycle that most closely matches the items being washed. Selections and options shown in **bold** are the suggested settings for that cycle. **Delay Wash/Remote Start** is available on all cycles.

Wash Cycle	Items to Wash	Soil Level	Wash Temp	Spin Selection	Options Available
Power Clean*	For heavily soiled items which require extra cleaning power.	Extra Heavy Heavy Normal	Extra Hot Hot Warm Cold Tap Cold	Max High Medium Low	Prewash Power Steam Extra Rinse Tumble Care* or 1 Step Wash + Dry*
Quick Wash	Small loads of lightly soiled items that are needed in a hurry.	Normal Light Extra Light	Hot Warm Cold Tap Cold	Max High Medium Low	More Water* Extra Rinse Tumble Care* or 1 Step Wash + Dry*
Delicates	Lingerie and special care fabrics with light soil.	Normal Light Extra Light	Warm Cold Tap Cold	Medium Low No Spin	Prewash* or Autosoak* Time Saver* More Water* Extra Rinse Tumble Care* or 1 Step Wash + Dry*
Cold Wash	Cycle for normal, regular, or typical use for washing up to a full load of normally soiled cotton clothing using only cold water.	Extra Heavy Heavy Normal Light Extra Light	Cold Tap Cold	Max High Medium Low	Prewash* or Autosoak* More Water* Extra Rinse Tumble Care* or 1 Step Wash + Dry*
Active Wear*	Medium to lightly soiled athletic wear items of technical or synthetic fabrics.	Extra Heavy Heavy Normal Light Extra Light	Warm Cold Tap Cold	Medium Low No Spin	Prewash Time Saver Extra Rinse Tumble Care* or 1 Step Wash + Dry*
Rinse & Spin	For items that need only to be rinsed, use this cycle.			Max High Medium Low No Spin	More Water* Extra Rinse Tumble Care* or 1 Step Wash + Dry*
Self Clean	Cleaning the basket of residue and odor. No clothes to be washed using this cycle.			Medium	

*Some cycles and options may not be available on some models.

Getting started

D Settings

Individual settings for soil level (**Level**), water temperature (**Temp**) and spin speed (**Spin**) can be set from the minimum to maximum. In general, the higher up the column, the more energy will be used.

Soil

Changing the **Soil** level increases or decreases the wash time to remove different amounts of soil.

To change the **Soil** level, press the **Soil** level pad until you have reached the desired setting. You can choose between Extra Light, Light, Normal, Heavy or Extra Heavy soil levels on most cycles.

Temp

Adjust to select the proper water temperature for the wash cycle. The **AutoSoak** and **PreWash** rinse water is always cold to help reduce energy usage and reduce setting of stains and wrinkles.

Follow the fabric manufacturer's care label when selecting the wash temperature.

To change the wash temperature, press the **Temp** pad until you have reached the desired setting. You can choose between Tap Cold, Cold, Warm, Hot or Extra Hot on most cycles. By design, to protect fabrics, not all wash temperatures are available for certain wash cycles. Extra Hot temperatures are enabled by the internal heater on models equipped with Steam capabilities.

NOTE: The first 10 seconds of the wash fill is always cold. This feature assists in conditioning the fabric and preventing stains from setting on garments.

Spin

Adjusting the **Spin** speed changes the final spin speed of the cycles. Always follow the garment manufacturer's care label when changing the **Spin** speed.

To change the **Spin** speed, press the **Spin** speed pad until you have reached the desired setting. You can choose between No Spin, Low, Medium, High or Max. Higher spin speeds are not available on certain cycles, such as **DELICATES** and **ACTIVE WEAR**.

Higher spin speeds remove more water from the clothes and will help reduce dry time, but may also increase the possibility of setting wrinkles on some fabrics.

NOTE: This washer features a **dBTM (Dynamic Balancing Technology)** system. This patented onboard sensing technology enables real-time balancing of the spin cycle for each load, saving time and providing a quiet wash. This should lead to more consistent wash times and an overall reduction in noise and vibration. If the washer should experience any excessive noise, vibration or shaking, simply **Pause** the washer, open the door, and manually redistribute the load before restarting the cycle.

E Options

SMARTDISPENSE™ (on some models)

When selected, this feature will automatically add detergent to the wash, eliminating the need to add detergent for each load. See the **SmartDispense** section for details.

MY SETTINGS (on some models)

To save your favorite settings, set the desired settings for wash cycle, soil level, spin speed and wash temp settings and hold down the **My Settings** pad for 3 seconds. A beep will sound to indicate the cycle has been saved.

To use your custom settings, press the **My Settings** pad before washing a load.

To change the saved settings, set the desired settings and hold down the **My Settings** pad for 3 seconds.

POWER STEAM (on some models)

Power Steam adds steam into the washer before the wash cycle begins to assist with loosening stains on the **NORMAL, WHITES, TOWELS, BULKY Bedding, SANITIZE+Allergen** and **POWER CLEAN** cycles.

To use:

1. Press the **Power** pad to "wake up" the washer and select a wash cycle.
2. Press the **POWER STEAM** pad to activate steam.
3. Press the **Start/Pause** pad.

WiFi (may be a shared pad with other options)

Press and hold the **WiFi*** pad for 3 seconds to activate. See the **WiFi Connect** section for details on how to get started with WiFi connection.

Getting started

E Options

Delay Wash/Remote Start

You can delay the start of a wash cycle for up to 24 hours or remote start the washer by using the **Delay Wash/Remote Start** feature. Press to step by hours or hold to scroll the **Delay Wash** pad to set the amount of time you want to delay the start of the wash cycle. If you have connected your washer to WiFi, the first selection, "APP", can be selected to enable remote starting of your washer from the GE Appliance Smartphone app. Or, if you select a delay time in hours, the machine will count down and start automatically following this period. Press the **Start** pad once you have configured the **Delay Wash** to the proper setting to enable this feature. To cancel this option, simply power off and power on the controls.

NOTE: If you forget to fully close the door, a reminder signal will beep reminding you to do so.

NOTE: If you open the door when the delay is counting down, the machine will enter the pause state. You must close the door and press **Start** again in order to restart the countdown.

Time Saver (on some models)

This option reduces the overall washer cycle time by optimizing the wash, rinse and spin actions and/or gently raising the wash temperature to get clothes cleaned faster. Option is available on **NORMAL, WHITES, TOWELS, DELICATES, BULKY Bedding** and **ACTIVE WEAR** cycles. Total wash time will vary based on cycle chosen and options selected.

To use:

1. Turn power on and select a wash cycle which has **Time Saver** as an option.
2. Press the **Time Saver** pad to reduce the overall wash time.
3. Press the **Start/Pause** pad.

More Water (on some models)

This option adds approximately 3 gallons to the wash and rinse portions of the cycle. If the option is selected before the cycle starts, the water will be added from the beginning of the wash cycle and later to the rinse. If the option is selected during the wash portion, more water will be added at this point and later to the rinse. Likewise, if the **More Water** option is selected after the wash portion has completed, the washer will add more water to the rinse only. If wash and rinse have completed, the **More Water** pad will no longer be active.

ULTRAFRESH VENT System with ODORBLOCK™

The ULTRAFRESH VENT System with OdorBlock was designed to eliminate excess moisture in the washer following a wash cycle to help prevent odors from developing. This washer was designed to drain water at the end of the cycle more effectively. Following the wash cycle, the user can then choose to leave the door open or select the ULTRAFRESH VENT feature to assist with drying out the gasket and other areas of the washer. The OdorBlock system features multiple components which are manufactured with Microban® antimicrobial technology.* Microban is a safe and effective antimicrobial technology that will last the life of your washer. For more information, please visit www.microban.com/geappliances.

ULTRAFRESH VENT is available after the wash cycle is complete and you have removed your cleaned laundry. Once the door is closed, a notification tune will play and the **ULTRAFRESH VENT** pad LED will blink. Upon pressing the pad, ULTRAFRESH VENT will begin.

To select ULTRAFRESH VENT at any other point, power on the washer, ensure a cycle is not actively running, and remove any garments from the basket, then press and release the **ULTRAFRESH VENT** pad so that the notification tune plays and the **ULTRAFRESH VENT** pad LED begins to blink. Then press the **ULTRAFRESH VENT** pad again to start the feature.



During the operation of ULTRAFRESH VENT the door will remain locked and the washer will intermittently spin at low speeds for up to 8 hours.

If garments are detected in the basket during ULTRAFRESH VENT, the washer will instead run **TUMBLE CARE** or **1 STEP WASH + DRY**, based on option availability for your model.

The ULTRAFRESH VENT feature may be cancelled at any time by pressing the **POWER** pad, turning the cycle knob, or pressing the **ULTRAFRESH VENT** pad.

*Microban® is a registered trademark of Microban International, Ltd.

Getting started

E Options

1 STEP WASH + DRY (on some models)

This option is available on all cycles except **Self Clean**.

The **1 STEP WASH + DRY** is intended for small loads only. Use when clothes need to be washed, dried and ready to wear or finished the next morning. This feature will tumble clothes and introduce a constant stream of air into the washer compartment upon completion of select wash cycles. Although the drying portion is set to 8 hours, the clothes can be removed at any time by pressing **Pause** or **Power** to cancel the cycle.

Tumble Care (on some models)

Freshly tumbles your garments periodically for up to 8 hours after the wash cycle is complete to lessen the setting of wrinkles and creases when you are not able to move clothing to the dryer right away.

At the end of the cycle, the display will scroll "END" and after ten minutes the **Tumble Care** will begin. It can be stopped at any time by pressing the **Power** pad.

PreWash (on some models)

Prewash is an extra wash before the main wash. Use it for heavily soiled clothes or for clothes with a care label that recommends prewashing before washing. Be sure to add liquid or powder high-efficiency detergent, or the proper wash additive to the prewash dispenser. Washers equipped with **SmartDispense** will automatically add the proper amount of detergent for prewash based on the load size.

PreWash must be selected prior to pressing **Start**.

The **PreWash** feature will fill the washer (adding the prewash detergent), tumble the clothes, drain and spin. Then the washer will run the selected wash cycle.

NOTE: In some special cycles, the prewash is selected automatically as the default. You can modify this selection at any time.

AutoSoak (on some models)

For soaking your garments prior to the wash cycle. This option begins with a brief tumble and then proceeds to soak the clothes with water and detergent for a specified period of time. Once complete, the cycle will continue automatically. **AutoSoak** must be selected prior to pressing the start pad. The **AutoSoak** time will add an additional 15 minutes, 30 minutes, 1 hour or 2 hours to the overall wash time. High-efficiency detergent from the main wash compartment in the dispenser is used for the **AutoSoak** period and main wash cycle.

Extra Rinse

This option allows for an extra rinse during a cycle to remove excess dirt and detergent from soiled loads. Press the **Extra Rinse** pad to select.

NOTE: On **Rinse & Spin** cycle, a drain and spin cycle can be achieved by pressing the **Extra Rinse** pad until the LED is no longer illuminated.

Light (on some models)

The basket light will turn on and remain on for 5 minutes when the door opens, **Start/Pause** pad is pressed, or by pressing the **Light** pad.

The basket light can be turned off by pressing and holding the **Light** pad.

Sound

To change the loudness of the end of cycle signal and the press pad volume, press the **Sound** pad as many times as needed to reach the desired volume. There are four sound levels including off.

Control Lock (Light-Control Lock pad) (depending on model)

You can lock the controls to prevent any selections from being made. Or you can lock or unlock the controls after you have started a cycle.

Children cannot accidentally start the washer by touching pads with this option selected.

To lock/unlock the washer, press and hold the **Control Lock/Light-Control Lock** pad for 3 seconds. A sound is made to indicate the lock/unlock status. The control lock icon on the display will light up when it is on.

NOTE: The **Power** pad can still be used when the machine is locked.

Getting started

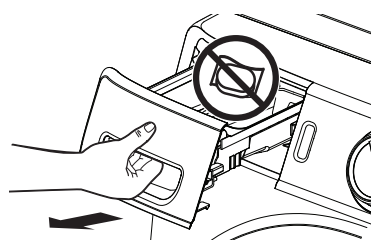
Dispenser Drawer

Slowly open the dispenser drawer by pulling it out until it stops. After adding laundry products, slowly close the dispenser drawer. Closing the drawer too quickly could result in early dispensing of the bleach, fabric softener or detergent.

You may see water in the detergent, bleach and fabric softener compartments at the end of the cycle. This is a result of the flushing/siphoning action and is part of the normal operation of the washer.

Do **NOT** put detergent packets in the dispenser drawer.

NOTE: Use only liquid or powder HE detergents and additives in the dispenser drawer. Laundry detergent packets should only be added directly to the wash basket following the manufacturer's directions.



Use only HE High-Efficiency detergent



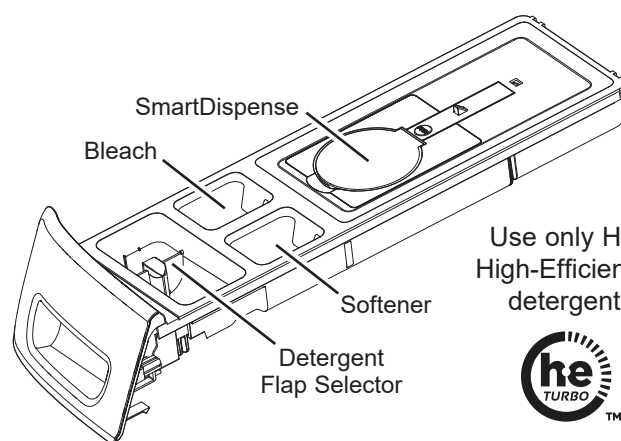
SmartDispense™ (on some models)

When selected, this feature will automatically add detergent to the wash, eliminating the need to add detergent for each load.

The detergent amount selection on the control panel will default to **AUTO** when first powering up the washing machine. When **AUTO** is selected, the amount of detergent needed for each laundry load will automatically be determined based on the size of the load the machine senses.

For **AUTO**, the washer will dispense approximately 1.5 oz of detergent for an 8 lb normal load. For other loads, it will adjust proportionally based on the size of load and garment type. If you select **LESS**, the amount of detergent will be reduced by 40%. This may be desired for higher concentrate detergents or if you have very soft water. For heavily soiled loads, you may want to select **MORE** to add 40% more detergent than the **AUTO** level.

NOTE: Not all cycles will allow the use of the SmartDispense feature. If the light is not illuminated and pressing the **SMART DISPENSE** pad results in a beeping tone, then SmartDispense is not allowed for the cycle that has been selected. Detergent will need to be added directly to the detergent compartment for these cycles.



Use only HE High-Efficiency detergent



If it is desired to manually select the amount of detergent for a given load, this can be done by pressing the **SMART DISPENSE** pad on the control panel to select detergent for a **Small** or **Large** load. **Small** will provide less detergent than average and **Large** will provide more detergent than average.

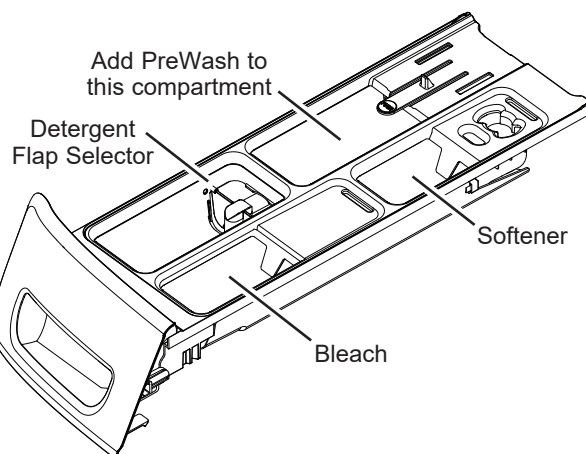
NOTE: If it is desired to manually add detergent for a load, that detergent will need to be added directly to the basket, and the **SMART DISPENSE** set to off for that particular load.

The smart dispense feature can be disabled by pressing the **SMART DISPENSE** pad until off is selected.

Prewash Compartment (on some models)

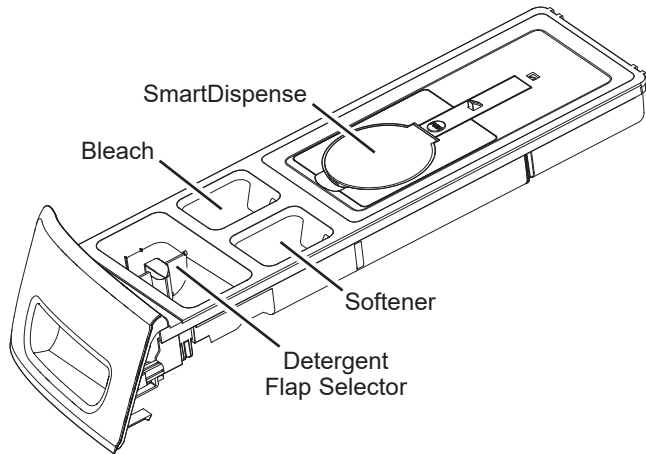
Only use the prewash compartment if you are selecting the **PreWash** or **AutoSoak** cycle for heavily soiled clothes. Add measured detergent or prewash additive to the back left prewash compartment of the dispenser drawer.

- Detergent or prewash additive is flushed from the dispenser in the **PreWash** or **AutoSoak** cycle (if selected).
- Detergent usage may need to be adjusted for water temperature, water hardness, size and soil level of the load. Avoid using too much detergent in your washer as it can lead to over sudsing and detergent residue being left on the clothes.

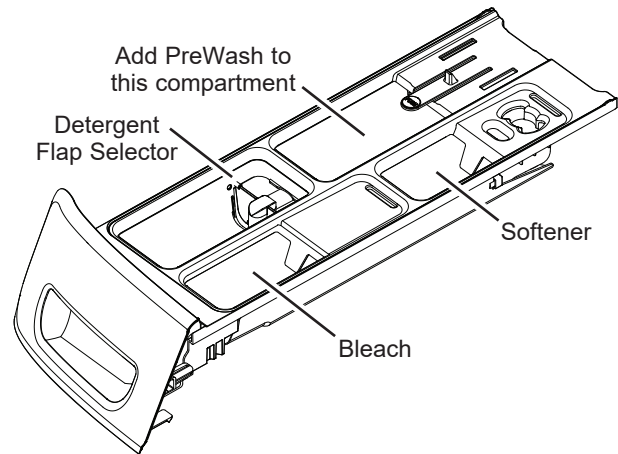


Getting started

On models with SmartDispense:



On models without SmartDispense:



Detergent Compartment

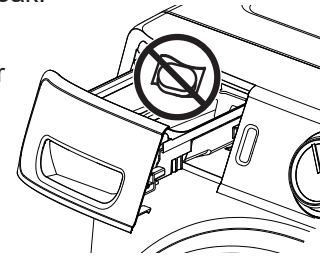
Only use high-efficiency detergent in this washer. Do NOT fill high-efficiency detergent over the MAX line. Use detergent manufacturer's recommended amount.

- **Powder Detergent** – Lift the flap up for powder detergent. This must be done to dissolve and flush detergent properly. Follow the detergent manufacturer's instructions when measuring the amount of powder detergent to use.
- **Liquid Detergent** – Keep the flap down for liquid detergent. This retains the liquid detergent until it automatically flushes at the start of the wash cycle. Follow the detergent manufacturer's instructions when measuring the amount of liquid detergent to use.


Detergent usage may need to be adjusted for water temperature, water hardness, size and soil level of the load. Avoid using too much detergent in your washer as it can lead to oversudsing, detergent residue being left on the clothes, and could extend wash times.

Do not put clumped detergent in the dispenser. Clumped detergent can cause a leak.

Do **NOT** put detergent packets in the dispenser drawer.



Liquid Bleach Compartment

If desired, measure out the recommended amount of liquid bleach, not to exceed 1/3 cup (80 ml) and pour into the compartment labeled "LIQUID BLEACH" marked with this symbol .

It is recommended to use High-Efficiency (HE) bleach in this front-load washer.

Do not exceed the maximum fill line. Overfilling can cause early dispensing of the bleach which could result in damaged clothes.

NOTE: Do not use powdered bleach or laundry detergent/additive packets in the dispenser.

Fabric Softener Compartment

If desired, pour the recommended amount of liquid fabric softener into the compartment labeled "FABRIC SOFTENER".

Use only liquid fabric softener in the dispenser.

Dilute with water to the maximum fill line.

Do not exceed the maximum fill line. Overfilling can cause early dispensing of the fabric softener, which could stain clothes.

NOTE: Do not pour fabric softener directly on the wash load.

Getting started

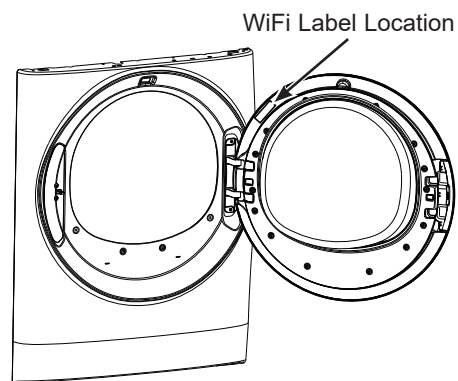
WiFi Connect (For customers in the United States only - on some models)

Your washer is **GE Appliances WiFi Connect** enabled.

Visit geappliances.com/connect and enter your model number to show you the proper steps to connect your appliance.

Please visit GEAppliances.com/connect to learn more about connected appliance features, to learn what connected appliance app's will work with your smartphone.

WiFi Connectivity: For assistance with the appliance or the **ConnectPlus** network connectivity, please call GE Appliances at **800.GE.CARES**.




Loading

Always follow fabric manufacturer's care label when laundering.

Sorting Wash Loads

Sort by color (whites, lights, colors), soil level, fabric type (sturdy cottons, easy care, delicates) and whether the fabric produces lint (terry cloth, chenille) or collects lint (velveteen, corduroy). Wash lint producers such as cotton towels and socks separate from lint collectors including synthetic garments and dress pants.

⚠ WARNING  - Fire Hazard

DO NOT wash fabrics soiled with flammable liquids or cleaning solvents.
No washer can completely remove oil.

DO NOT wash or dry anything that has been soaked in or spotted with any type of oil (including cooking oils).

DO NOT reach into the washer until all moving parts have stopped.
Doing so can result in death, explosion, fire or amputation.

Loading the Washer

The wash drum may be fully loaded with loosely added items.

To add items after the washer has started, press **Start/Pause** and wait until the door is unlatched. The washer may take up to 30 seconds to unlock the door after pressing **Start/Pause**, depending on the machine conditions. Do not try to force open the door when it is locked. After the door unlocks, open gently. Add items, close the door and press **Start/Pause** to restart.

Loading Examples

WORKWEAR	LINENS	MIXED LOAD	DELICATES*	QUICK WASH (2-3 GARMENTS)
4 Jeans 5 Work Wear Shirts 3 Work Wear Pants	2 Bath Sheets 10 Bath Towels/ 12 Washcloths 7 Hand Towels/ 2 Terrycloth Bath Mats OR 2 Flat Queen-Sized Sheets 2 Fitted Queen-Sized Sheets 4 Pillowcases	4 Pillowcases 2 Hand Towels 2 Flat Sheets/ 2 Fitted Sheets 2 Bath Towels/ 4 Washcloths OR 6 Shirts (Men's or Women's) 4 Pair Pants (Khakis or Twills) 5 T-shirts 7 Pairs of Boxers 4 Pairs of Shorts OR 6 T-shirts 4 Pairs of Sweatpants 4 Sweatshirts 2 Hoodies 7 Pairs of Socks	7 Bras 7 panties 3 Slips 2 Camisole 4 Nightgowns *Using a nylon mesh bag for small items is recommended.	2 Casual Wear Work Shirts 1 Pair Casual Wear Work Pants OR 3 Soccer Uniforms

Care and cleaning

Water Supply Hoses

Hoses connecting washer to faucet should be replaced every 5 years.

Exterior

Immediately wipe off any spills. Wipe with damp cloth. Wipe or dust spills or washing compounds with a damp cloth. Washer control panel and finishes may be damaged by some laundry pretreatment and stain remover products. Apply these products away from the washer. The fabric may then be washed and dried normally. Damage to your washer caused by these products is not covered by your warranty. Do not hit surface with sharp objects.

Interior

Dry around the washer door opening, flexible gasket (including attached hoses) and door glass. These areas should always be clean to ensure a watertight seal. You will notice if you regularly use the ULTRAFRESH VENT System that this will not be required as often. It is recommended to rinse the washer at least once per month with 1 cup of bleach (or other commercially available product manufactured for this purpose, such as Tide® Washing Machine Cleaner) poured directly into the basket without clothes and using the **Self Clean** Cycle.

Self Clean

To clean the interior of the washer, select the **SELF CLEAN** feature on the control panel. This **Self Clean** cycle should be performed, at a minimum, once per month or about every 30-40 wash cycles. This cycle will use more water, in addition to bleach, to control the rate at which soils and detergents may accumulate in your washer.

NOTE: Read the instructions below completely before starting **Self Clean** cycle.

1. Remove any garments or objects from the washer and ensure the washer basket is empty.
2. Open the washer door and pour one cup or 250 ml of liquid bleach or other washing machine cleaner into the basket.
3. Close the door and select the **SELF CLEAN** cycle. Push the **Start** pad.
4. When the **Self Clean** cycle is working, the display will show the estimated cycle time remaining. The cycle will complete in about 90 minutes. Do not interrupt the cycle.



5. After the cycle is complete, the washer will automatically start an ULTRAFRESH VENT operation so that the door can remain closed until the next time you use the washer.

If for any reason the cycle needs to be interrupted, the door will not open immediately. Forcing open the door at this stage may cause water to flood. The door will open after the water is drained to a level where it would not flood the floor.

Self Clean may be interrupted by pressing the **Start** pad in between cycles. A power outage in the house might also interrupt the cycle. When the power supply is back, the **Self Clean** cycle resumes where it had stopped. When interrupted, be sure to run a complete **Self Clean** cycle before using the washer. If the **Power** pad is pressed during **Self Clean**, the cycle will be lost.

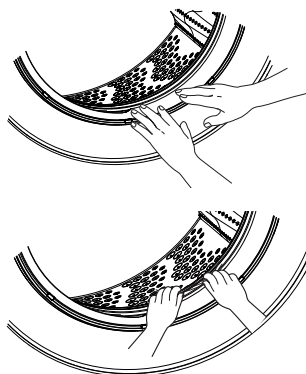
IMPORTANT:

- Run **Self Clean** with 1 Cup (250 ml) of bleach once a month.
- After the completion of a **Self Clean** cycle, the interior of your washer may have a bleach smell.
- It is recommended to run a **RINSE & SPIN** or a light color load after the **Self Clean** cycle.

Door Gasket

Open the washer door. Using both hands, press down the door gasket. Remove any foreign objects if found trapped inside the gasket. Make sure there is nothing blocking the holes behind the gasket.

While holding down the door gasket, inspect the interior of the gasket by pulling it down with your fingers.



Remove any foreign objects if found trapped inside this gasket. Make sure there is nothing blocking the holes behind the gasket.

When you are finished cleaning the door gasket, release it and the gasket will return to the operating position.



Care and cleaning

Dispenser Drawer Area

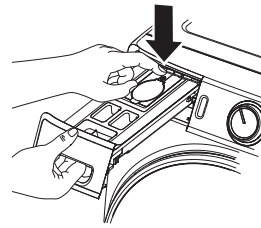
Detergent and fabric softener may build up in the dispenser drawer. Residue should be removed once or twice a month.

- Remove the drawer by first pulling it out until it stops. Then reach back into the rear of the drawer cavity and press down firmly on the lock tab, pulling out the drawer.
- Rinse the drawer with hot water to remove traces of accumulated laundry products.
- To clean the drawer opening, use a small brush to clean the recess. Remove all residue from the upper and lower parts of the recess.
- Replace the dispenser drawer.
- To reduce buildup in the Dispenser Drawer area:

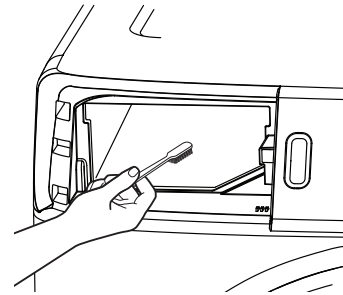
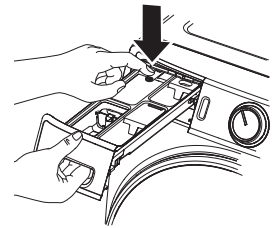
Use only HE
High-Efficiency
detergent



On models with
SmartDispense:



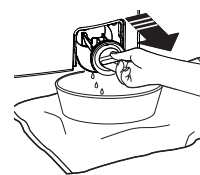
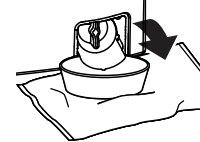
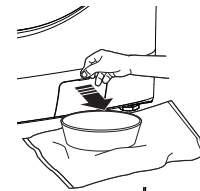
On models without
SmartDispense:



Pump Filter

Due to the nature of the front-load washer, it is sometimes possible for small articles to pass to the pump. The washer has a filter to capture lost items so they are not dumped to the drain. To retrieve lost items, clean out the pump filter.

1. Using a small flathead screwdriver or coin, open the access door.
2. Place a shallow pan or dish under the pump access door and towels on the floor in front of the washer to protect the floor. It is normal to catch about a cup of water when the filter is removed.
3. Pull down the pour spout.
4. Turn the pump filter counterclockwise and remove the filter slowly, controlling the flow of the draining water.
5. Remove the filter and clean the debris from the filter.
6. Replace the filter and turn clockwise. Tighten securely.
7. Flip up the pour spout.
8. Close the access door by hooking the bottom tabs first, then rotating the access door shut.



Video

Scan this code to watch a video on this topic.

Moving and Storage

Ask the service technician to remove water from drain pump and hoses. Do not store the washer where it will be exposed to the weather. When moving the washer, the tub should be kept stationary by using the shipping bolts removed during installation. See Installation Instructions in this manual. If these parts are not available, they can be ordered by visiting our Website at GEApplianceparts.com or by calling GE Appliances at 877.959.8688. In Canada, visit your local GE Appliances parts distributor or call 800.661.1616 or GEAppliances.ca/en/products/parts-filters-accessories.

Long Vacations

Be sure water supply is shut off at faucets. Drain all water from hoses and water filter pump area if weather will be below freezing.

Installation Instructions

Washer

If you have any questions, call GE Appliances at 800.GE.CARES (800.432.2737) or visit our Website at: GEAppliances.com
In Canada, call 800.561.3344 or visit GEAppliances.ca

BEFORE YOU BEGIN

Read these instructions completely and carefully.

- **IMPORTANT** — Save these instructions for local inspector's use.
- **IMPORTANT** — Observe all governing codes and ordinances.
- **Note to Installer** — Be sure to leave these instructions with the Consumer.
- **Note to Consumer** — Keep these instructions for future reference.
- **Skill level** — Installation of this appliance requires basic mechanical and electrical skills.
- **Completion time** — 1-3 hours
- Proper installation is the responsibility of the installer.
- Product failure due to improper installation is not covered under the Warranty.

LOCATION OF YOUR WASHER

DO NOT Install the Washer:

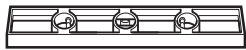



1. In an area exposed to dripping water or outside weather conditions. The ambient temperature should never be below 60°F (15.6°C) for proper washer operation.
2. In an area where it will come in contact with curtains or drapes.
3. On carpet. The floor **MUST** be a hard surface with a maximum slope of 1/2" per foot (1.27 cm per 30 cm). To make sure the washer does not vibrate or move, you may have to reinforce the floor.

NOTE: If floor is in poor condition, use 3/4" impregnated plywood sheet solidly attached to existing floor covering.


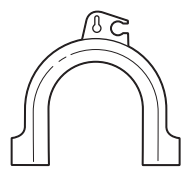


MOBILE HOME INSTALLATION:

Installation must conform to Standard for Mobile Homes, ANSI A119.1 and National Mobile Home Construction and Safety Standards Act of 1974 (PL93-383).

TOOLS REQUIRED

- Level 
- Adjustable wrench 
- Channel-lock adjustable pliers 
- Phillips screwdriver 

PARTS SUPPLIED

- Shipping Bolt Covers 
- Drain Hose Guide 
- Lock Bar (Retain for Reversing the Door Swing option) 
- Cable Tie 

PARTS REQUIRED (Sold separately or included with the GFW510 model)

- Water Hoses (2) 
- Rubber Washers (2) and Strainer Screens (2) 

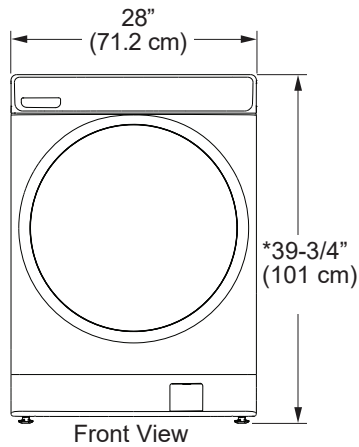
GE Appliances Parts and Accessories

Order on-line at GEApplianceparts.com today, 24 hours a day or by phone at 877.959.8688 during normal business hours. In Canada, visit your local GE Appliances parts distributor or call 800.661.1616 or GEAppliances.ca/en/products/parts-filters-accessories.

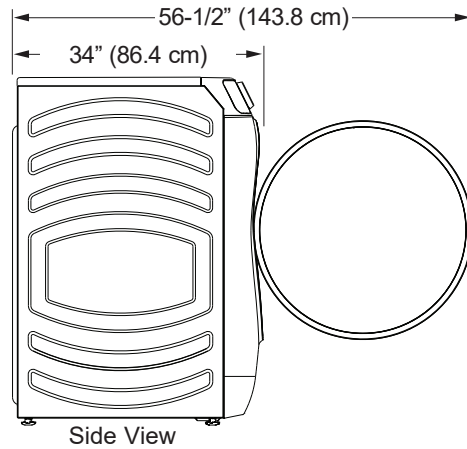
Part Number	Accessory
WX14X10011	6 ft stainless steel washer hoses with 90° elbows; 2-pack
WH1X2267	Rubber Washer (1) and Screen (1)

Installation Instructions

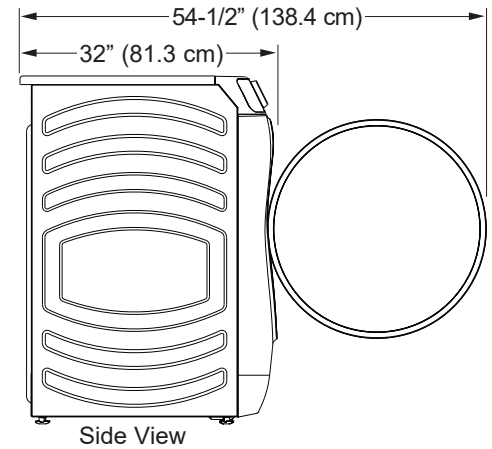
WASHER DIMENSIONS



Model - GFW850:



Models - GFW650, GFW550, GFW510:



NOTE:

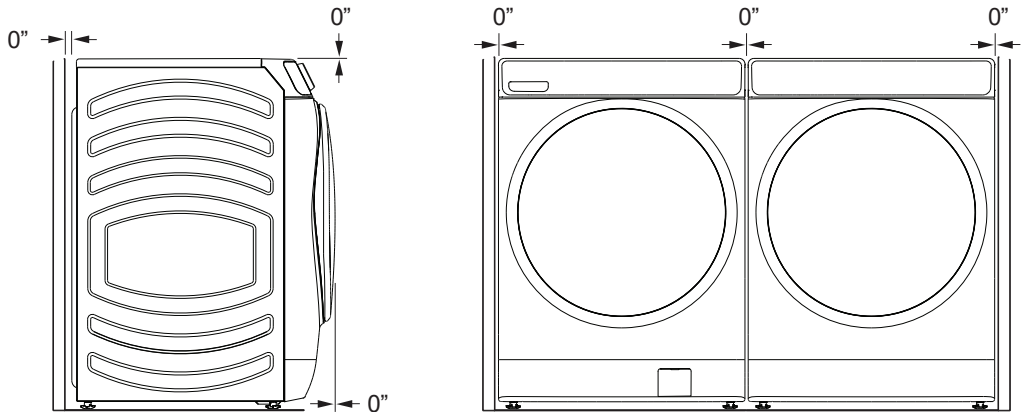
With leveling legs retracted: 39-3/4 (101 cm).

With leveling legs fully extended: 40-5/8 (103.1 cm).

MINIMUM CLEARANCES

Alcove or Closet

- Rear = 0"
- Sides = 0"
- Top = 0"
- Front = 0"



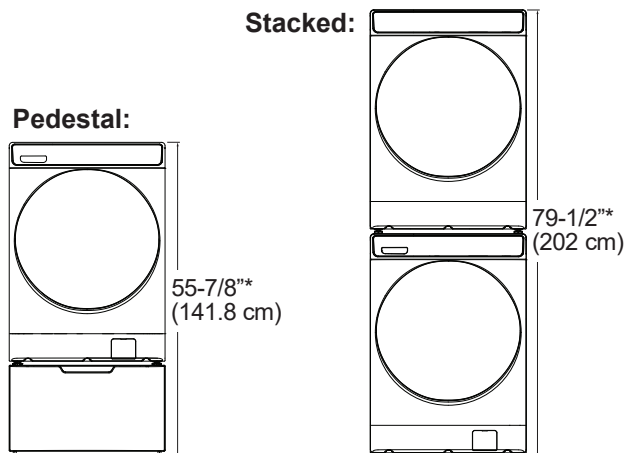
- Consideration must be given to provide adequate clearance for installation and service.
- Closet doors must be louvered or otherwise ventilated and have at least 60 square inches (387.1 cm²) of open area. If the closet contains both a washer and a dryer, doors must contain a minimum of 120 square inches (774.2 cm²) of open area.
- *To enable 0" clearance on the back of the washer, you must use 90° elbow hoses. Otherwise you may require some additional clearance to avoid rubbing of the hoses against the back wall.

ACCESSORIES:

Order on-line at GEApplianceparts.com, 24 hours a day or by phone at 877.959.8688 during normal business hours.

Part Number	Accessory
GFP1528SNWW	White Pedestal
GFP1528PNSN	Satin Nickel Pedestal
GFP1528PNRS	Royal Sapphire Pedestal
GFP1528PNDG	Diamond Gray Pedestal
GFA28KITN	Stacking Kit for Dryer over Washer

Follow the Installation Instructions included in the Kit for all clearances and installation requirements.



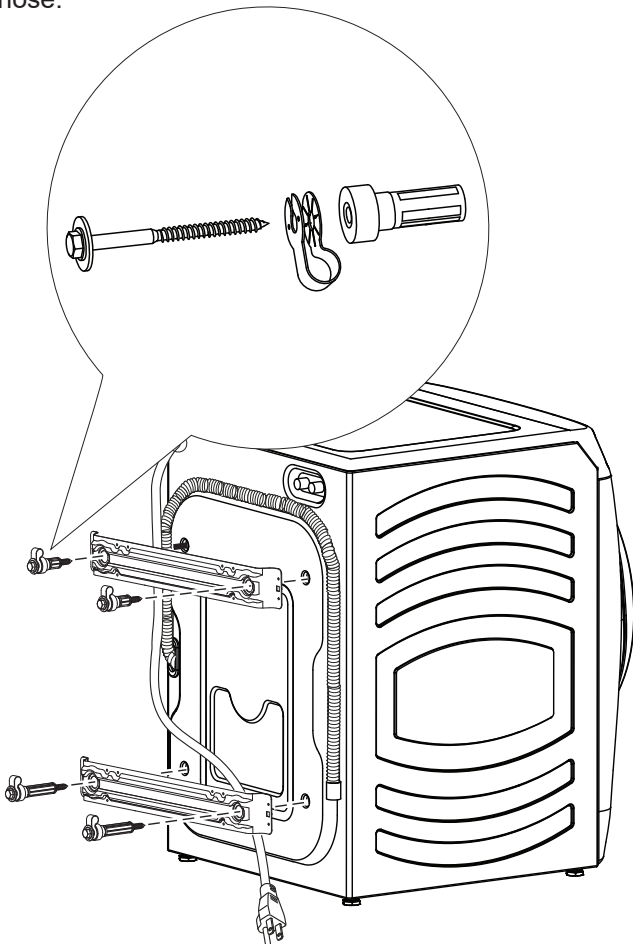
Installation Instructions

UNPACKING THE WASHER

▲ WARNING Recycle or destroy the carton and plastic bags after the washer is unpacked. Make materials inaccessible to children. Children might use them for play. Cartons covered with rugs, bedspreads or plastic sheets can become airtight chambers causing suffocation.

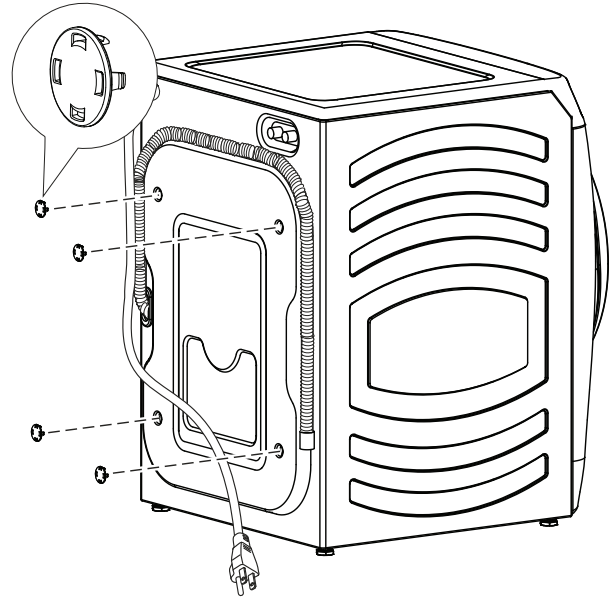
1. Cut and remove all packaging straps.
2. While it is in the carton, carefully lay the washer on its side. DO NOT lay the washer on its front or back.
3. Turn down the bottom flaps. Remove all base packaging including the styrofoam base.
4. Carefully return the washer to an upright position and remove the carton by lifting it upward.
5. Carefully move the washer to within 4 feet (122 cm) of the final location.
6. Remove the following from the back side of the washer:
 - 4 bolts
 - 4 plastic spacers (including power cord retainers and rubber grommets)
 - 2 brackets

NOTE: Do NOT remove the screw or clip holding the hose.



UNPACKING THE WASHER (cont.)

7. Insert shipping bolt hole covers into shipping bolt holes.



NOTES:

- Failure to remove the shipping braces can cause the washer to become severely unbalanced.
- **IMPORTANT:** Save all bolts for future use.

If you must transport the washer at a later date, you must reinstall the shipping support hardware to prevent shipping damage. Keep the hardware in the plastic bag provided.

Installation Instructions

ELECTRICAL REQUIREMENTS

⚠ WARNING - Electrical Shock Hazard

Plug into a grounded 3-prong outlet.

DO NOT remove ground prong.

DO NOT use an adapter.

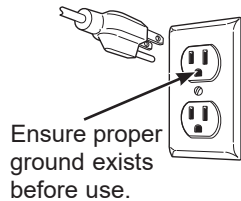
DO NOT use an extension cord.

Failure to follow these instructions can result in death, fire or electrical shock.

CIRCUIT – Individual, properly polarized and grounded 15 or 20 amp circuit breaker or time-delay fuse.

POWER SUPPLY – 2 wire plus ground, 120 Volt, single phase, 60 Hz, alternating current.

Outlet Receptacle – Properly grounded 3-prong receptacle to be located so the power cord is accessible when the washer is in an installed position. If a 2-prong receptacle is present, it is the owner's responsibility to have a licensed electrician replace it with a properly grounded 3-prong grounding type receptacle.



Washer must be electrically grounded in accordance with local codes and ordinances, or in the absence of local codes, with latest edition of the NATIONAL ELECTRICAL CODE, ANSI/NFPA NO. 70 or CANADIAN ELECTRICAL CODE, CSA C22.1. Check with a licensed electrician if you are not sure that the washer is properly grounded.

GROUNDING INSTRUCTIONS

This appliance must be grounded. In the event of malfunction or breakdown, grounding will reduce the risk of electric shock by providing a path of least resistance for electric current. This appliance is equipped with a cord having an equipment-grounding conductor and a grounding plug. The plug must be plugged into an appropriate outlet that is properly installed and grounded in accordance with all local codes and ordinances.

⚠ WARNING Improper connection of the equipment-grounding conductor can result in a risk of electrical shock. Check with a qualified electrician, or service representative or personnel, if you are in doubt as to whether the appliance is properly grounded. **DO NOT** modify the plug on the power supply cord. If it will not fit the outlet, have a proper outlet installed by a qualified electrician.

If required by local codes, an external 18 gauge or larger copper ground wire (not provided) may be added. Attach to washer cabinet with a #10-16 x 1/2" sheet metal screw (available at any hardware store) to rear of washer.

⚠ WARNING - Electrical Shock Hazard

Disconnect power supply before servicing.

Replace all parts and panels before operating.

Failure to do so can result in death or electrical shock.

⚠ WARNING - Shock Hazard

Certain internal parts are intentionally not grounded and may present a risk of electric shock only during servicing.

Service personnel – DO NOT contact the following parts while the appliance is energized: water valve, drain pump, NTC, heater, door lock, inverter board, motor and MC board.

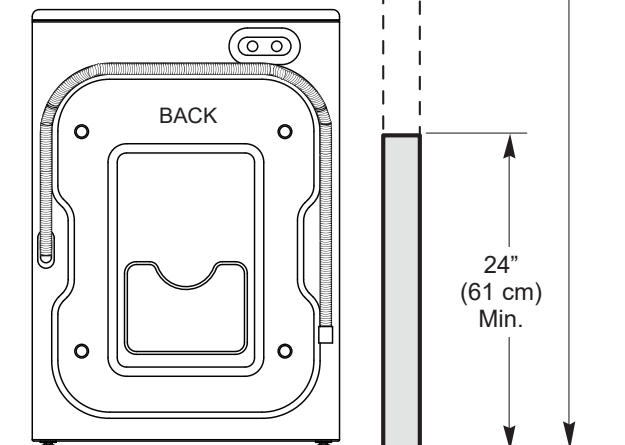
WATER SUPPLY REQUIREMENTS

Hot and cold water faucets **MUST** be installed within 42 inches (107 cm) of your washer's water inlet. The faucets **MUST** be 3/4" (1.9 cm) garden hose-type so inlet hoses can be connected. Water pressure **MUST** be between 10 and 120 pounds per square inch. Your water department can advise you of your water pressure. The hot water temperature should be set to deliver water at 120° to 140°F (48°–60°C) to provide proper Automatic Temperature Control (ATC) performance.

NOTE: A water softener is recommended to reduce buildup of scale inside the steam generator if the home water supply is very hard.

DRAIN REQUIREMENTS

1. Drain capable of eliminating 10 gallons (38 L) per minute.
2. A standpipe diameter of 1-1/4" (3.18 cm) minimum.
3. The standpipe height above the floor should be:
Minimum height: 24" (61 cm)
Maximum height: 96" (244 cm)

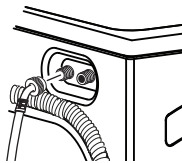


Installation Instructions

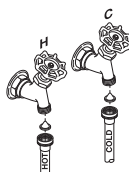
INSTALLING THE WASHER

1. Run some water from the hot and cold faucets to flush the water lines and remove particles that might clog the inlet hose and water valve screens.
2. Remove the inlet hoses from the packaging (whether supplied with the washer or sold separately).

3. (90° elbow end) Ensure there is a rubber washer in the 90° elbow end of the HOT and COLD hoses. Reinstall the rubber washer into the hose fitting if it has fallen out during shipment. Carefully connect the inlet hose marked HOT to the outside "H" outlet of the water valve. Tighten by hand, then tighten another 2/3 turn with pliers. Carefully connect the other inlet hose to the inside "C" outlet of the water valve. Tighten by hand; then tighten another 2/3 turn with pliers. **Do not crossthread or over-tighten these connections.**



4. If inlet hose screen washers are not already inserted into the inlet hoses, install them by inserting into the free ends of the HOT and COLD inlet hoses with protruded side facing the faucet.
5. Connect the inlet hose ends to the HOT and COLD water faucets tightly by hand, then tighten another 2/3 turn with pliers. Turn the water on and check for leaks.



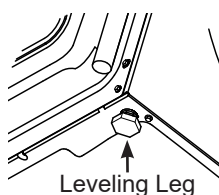
6. Carefully move the washer to its final location. Gently rock the washer into position. It is important not to damage the rubber leveling legs when moving your washer to its final location. Damaged legs can increase washer vibration. It may be helpful to spray window cleaner on the floor to help move your washer into its final position.

NOTE: To reduce vibration, ensure that all four rubber leveling legs are firmly touching the floor. Push and pull on the back right and then back left of your washer.

NOTE: Do not use the dispenser drawer or door to lift the washer.

NOTE: If you are installing into a drain pan, you can use a 24-inch long 2x4 to lever the washer into place.

7. With the washer in its final position, place a level on top of the washer (if the washer is installed under a counter, the washer should not be able to rock). Adjust the front leveling legs up or down to ensure the washer is resting solidly. Turn the lock nuts on each leg up toward the base of the washer and snug with a wrench.



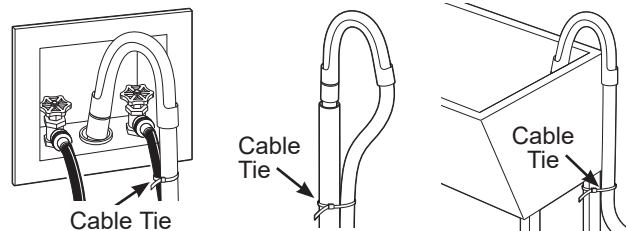
NOTE: Keep the leg extension at a minimum to prevent excessive vibration. The farther out the legs are extended, the more the washer will vibrate.

If the floor is not level or is damaged, you may have to extend the rear leveling legs.



INSTALLING THE WASHER (cont.)

8. Attach U-shaped hose guide to the end of the drain hose. Place the hose in a laundry tub or standpipe and secure it with the cable tie provided in the enclosure package.



NOTE: Placing the drain hose too far down the drain pipe can cause a siphoning action. No more than 7 inches of hose should be in the drain pipe. There must be an air gap around the drain hose. A snug fit can cause a siphoning action.

9. Plug the power cord into a grounded outlet.
NOTE: Check to be sure the power is off at the circuit breaker/fuse box before plugging the power cord into an outlet.
10. Turn on the power at the circuit breaker/fuse box.
11. Read the rest of this Owner's Manual. It contains valuable and helpful information that will save you time and money.

12. Before starting the washer, check to make sure:

- Main power is turned on.
- The washer is plugged in.
- The water faucets are turned on.
- The unit is level and all four leveling legs are firmly on the floor.
- The shipping support hardware is removed and saved.
- The drain hose is properly tied up.
- There are no leaks at the faucet, drain line or washer.

13. Run the washer through a complete cycle. Check for water leaks and proper operation.
14. If your washer does not operate, please review the Before You Call For Service section before calling for service.
15. Place these instructions in a location near the washer for future reference.

REPLACEMENT PARTS

If replacement parts are needed for your washer, they can be ordered in the United States by visiting our Website at GEApplianceparts.com or by calling GE Appliances at 877.959.8688. In Canada, visit GEAppliances.ca/en/products/parts-filters-accessories or call 800.661.1616.

Installation Instructions

REVERSING THE DOOR SWING (Optional)

⚠ WARNING

Unplug the appliance or turn off the circuit breaker before servicing. Pressing the **Power** pad **DOES NOT** disconnect power.

⚠ WARNING - Shock Hazard

Certain internal parts are intentionally not grounded and may present a risk of electric shock only during servicing.

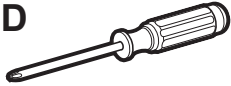
Service personnel – DO NOT contact the following parts while the appliance is energized: water valve, drain pump, NTC, heater, door lock, inverter board, motor and MC board.

IMPORTANT NOTES

- Handle parts carefully to avoid scratching paint.
- Provide a non-scratching work surface for the door.
- Set screws down by their related parts to avoid using them in the wrong places.
- Once you begin, do not move the cabinet until door-swing reversal is completed.
- These instructions are for changing the hinges from the left side to the right side—if you ever want to switch them back to the right side, follow these same instructions and reverse all references to the left and right.

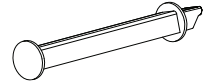
TOOL YOU WILL NEED

- Phillips-head screwdriver



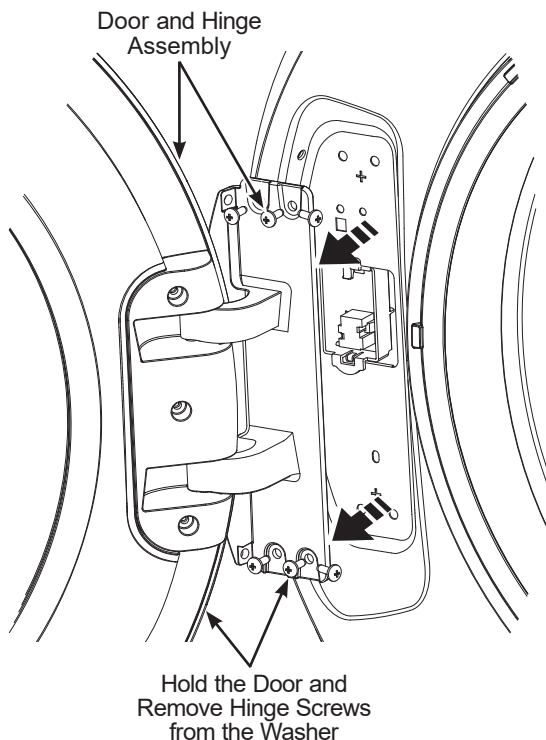
PART SUPPLIED

- Lock Bar



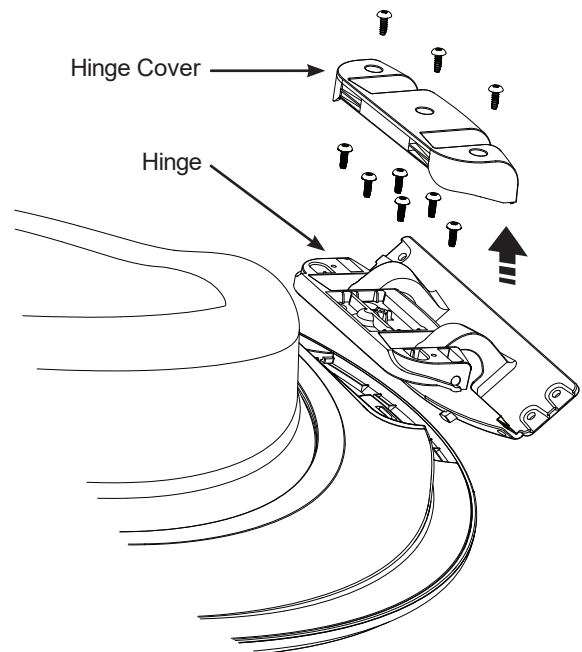
1 REMOVE THE DOOR ASSEMBLY

- Open the washer door.
- While supporting the door, remove the 6 screws from the hinge in the washer face.
- Lift the door assembly to remove it from the washer face and set it on a protective surface.



2 REMOVE THE DOOR HINGE COVER AND THE DOOR HINGE

- Remove the 3 screws from the hinge cover and remove the cover.
- Remove the 6 screws from the hinge and remove the hinge from the door.

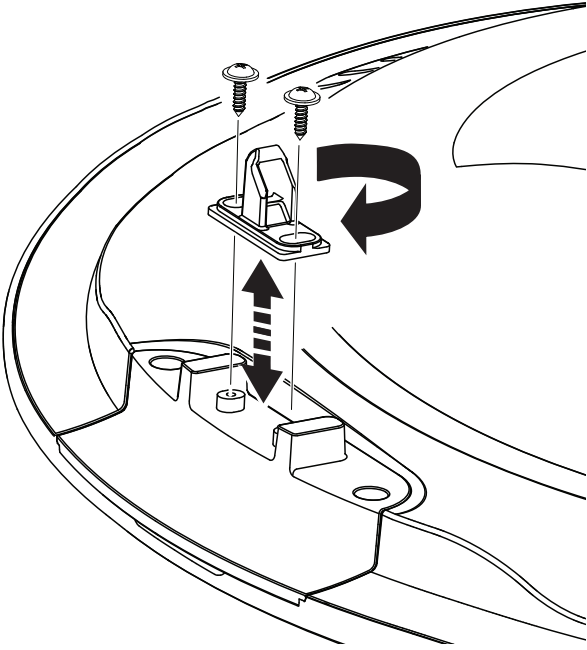


Installation Instructions

REVERSING THE DOOR SWING (Optional)

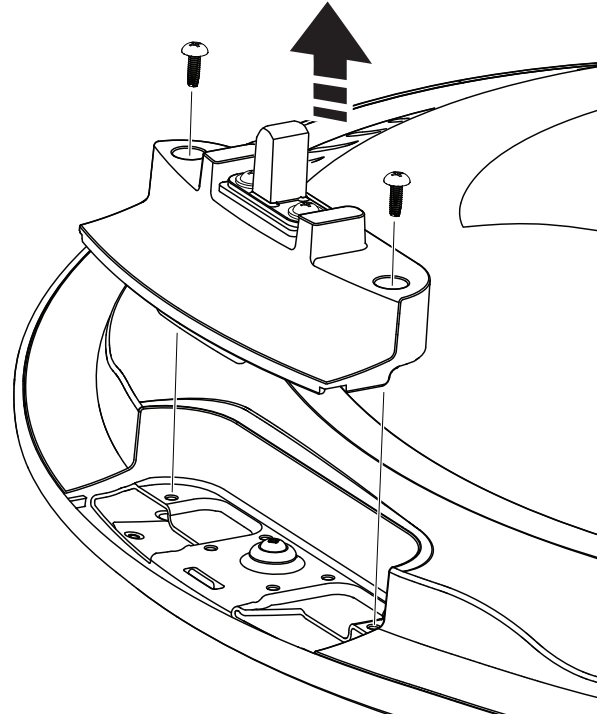
3 REMOVE, REVERSE AND REPLACE THE DOOR STRIKER

- Remove the 2 screws from the striker. Rotate the striker 180° and reinstall the striker with its screws.

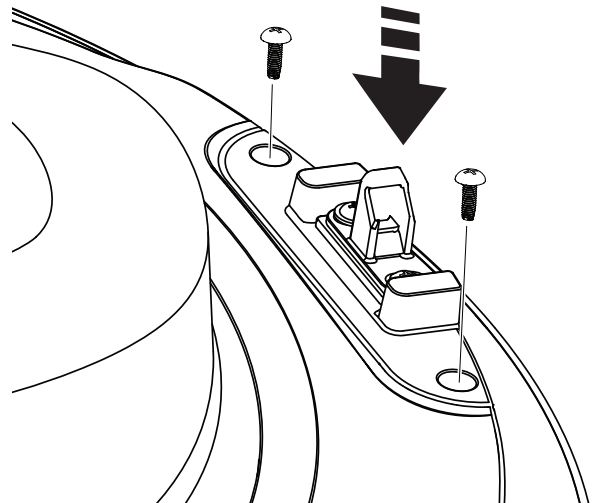


4 REMOVE THE DOOR STRIKER ASSEMBLY AND REPLACE ON THE OPPOSITE SIDE

- Remove the 2 screws from the striker assembly and remove the assembly by pulling it toward the center, pushing it up and pulling it out.



- Rotate the striker assembly and replace it on the opposite side with its screws.

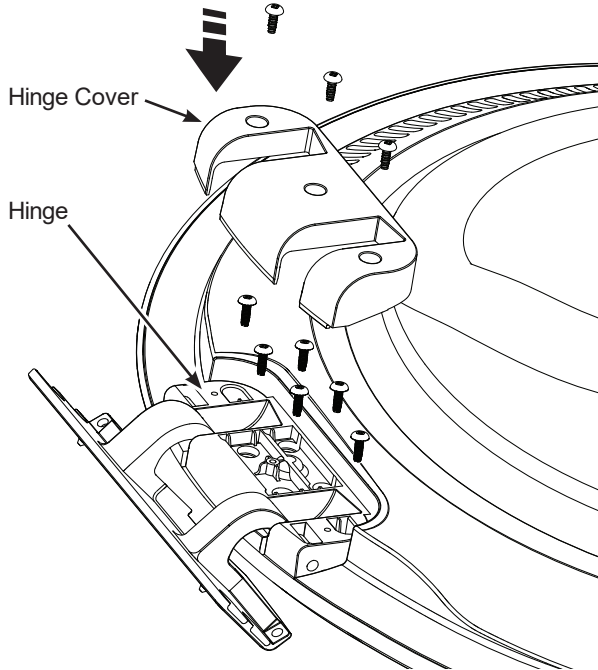


Installation Instructions

REVERSING THE DOOR SWING (Optional)

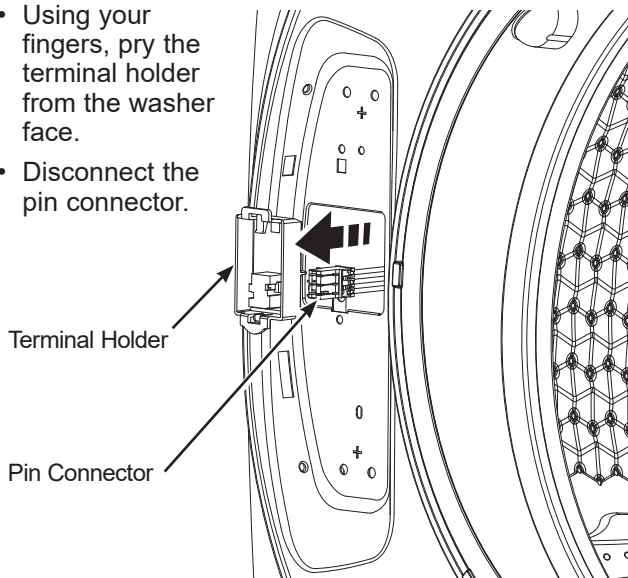
5 REPLACE THE DOOR HINGE AND THE DOOR HINGE COVER ON THE OPPOSITE SIDE

- Rotate the door hinge and replace it on the opposite side with its screws.
- Rotate the door hinge cover and replace it on the opposite side with its screws.



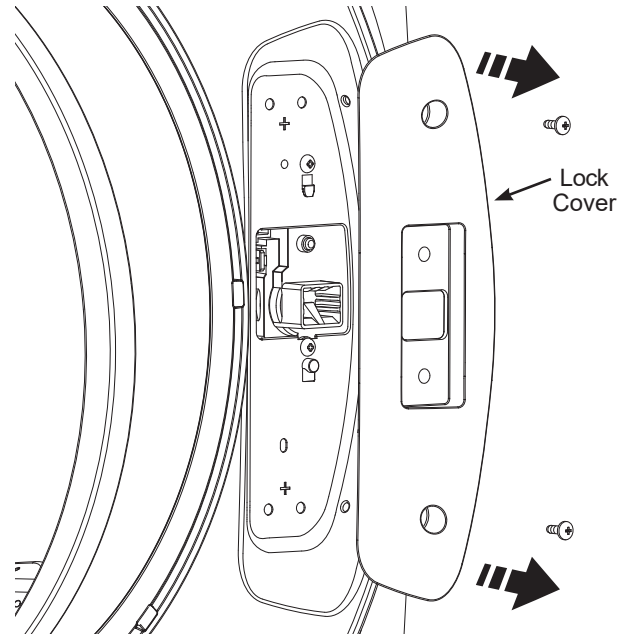
6 REMOVE THE TERMINAL HOLDER AND DISCONNECT THE PIN CONNECTOR FROM WASHER

- Using your fingers, pry the terminal holder from the washer face.
- Disconnect the pin connector.

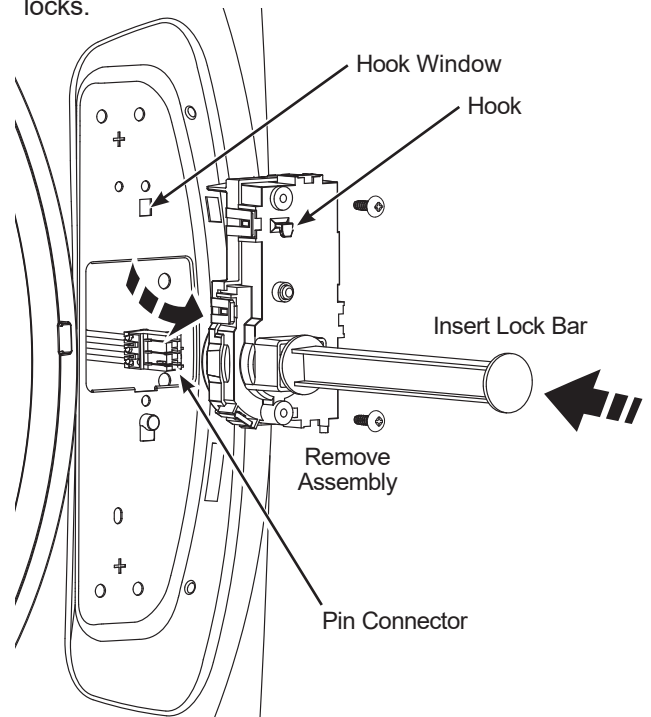


7 REMOVE LOCK ASSEMBLY AND INSTALL ON OPPOSITE SIDE OF WASHER

- Remove the 2 screws from the lock cover and remove it from the washer face.



- Insert the provided lock bar into the lock mechanism in the washer face. Remove the lock assembly by removing its two screws, using the lock bar to lift it up to unhook, tilting and pulling it out of the washer face. Disconnect its pin connector by unsnapping its locks.

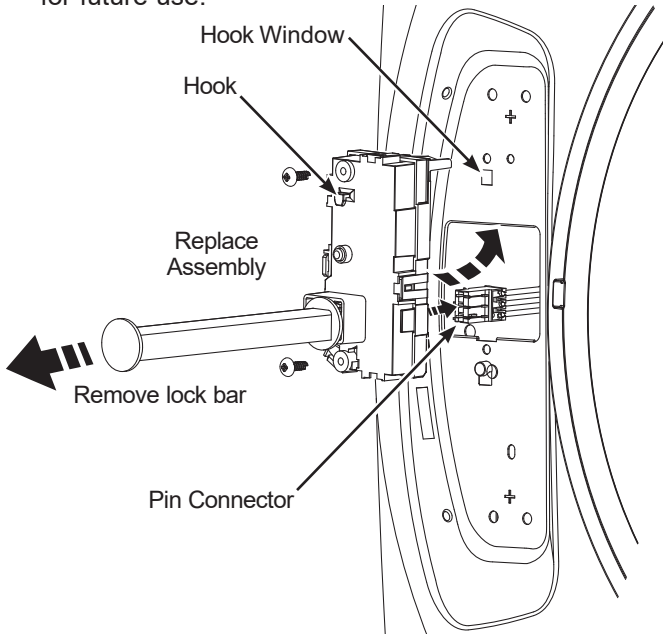


Installation Instructions

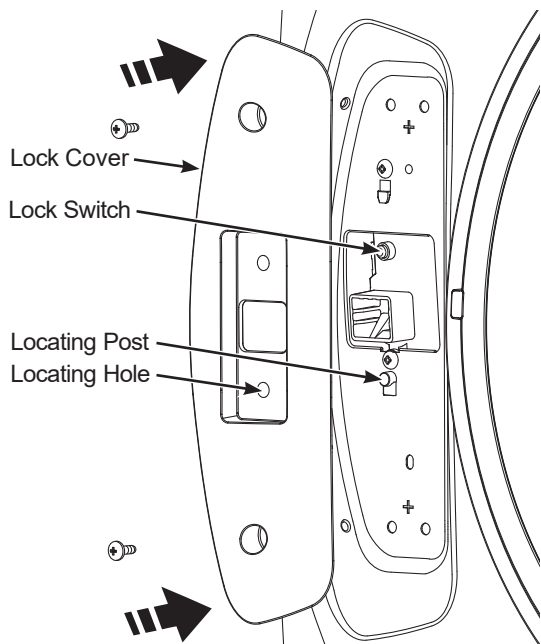
REVERSING THE DOOR SWING (Optional)

7 REMOVE LOCK ASSEMBLY AND INSTALL ON OPPOSITE SIDE OF WASHER (CONTINUED)

- Do **NOT** rotate lock assembly. Move it to the opposite side of the washer and connect the pin connector making sure it is fully snap locked together. Tilt and insert the lock assembly into the washer face, lift it up and latch its hook into its window. Replace its screws. Remove the lock bar from the assembly and retain for future use.

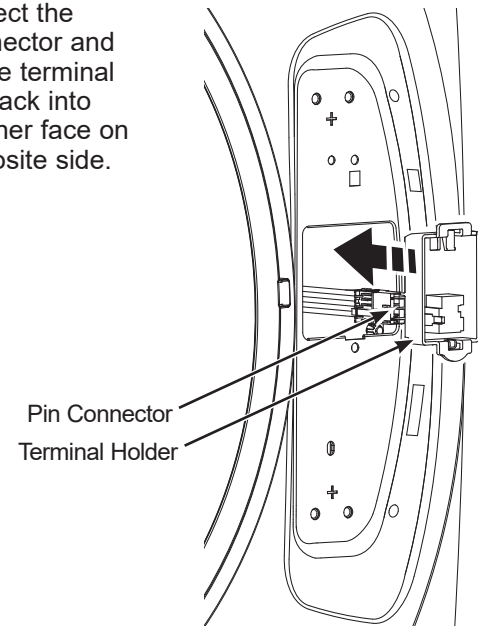


- Install the lock cover over the lock assembly, making sure the locating post fits into the locating hole and that the lock switch operates freely. Replace its screws.



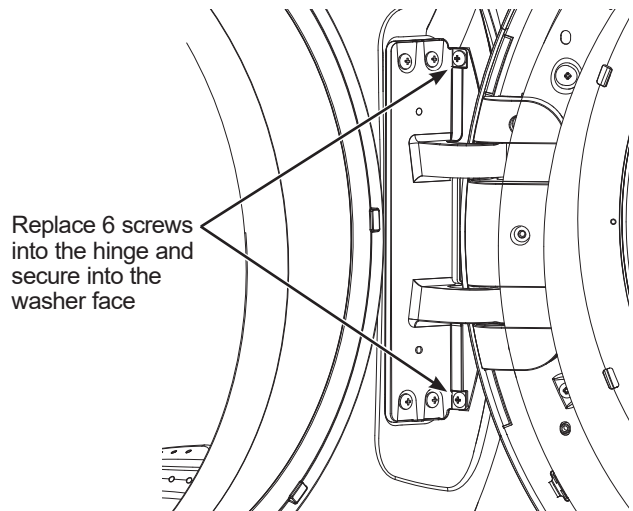
8 RECONNECT PIN CONNECTOR FROM THE WASHER AND REPLACE THE TERMINAL HOLDER

- Reconnect the pin connector and press the terminal holder back into the washer face on the opposite side.



9 REPLACE THE DOOR ASSEMBLY

- Lift the door assembly into place and secure it onto the washer face with its 6 screws.



- Close the washer door.
NOTE: Make sure the door opens and closes correctly. If not, repeat all steps making sure all parts and screws are securely seated.
- Connect power cord and turn on the breaker.
- Run the washer through a complete cycle to verify proper operation.

Troubleshooting Tips... Before you call for service

Problem	Possible Cause	What To Do
Not draining Not spinning Not tumbling	Load is out of balance	Redistribute clothes and run Rinse & Spin . Increase load size if washing small load containing heavy and light items.
	Pump filter may be clogged	See the Care and Cleaning section on how to clean the Pump Filter .
	Drain hose is kinked or improperly connected	Straighten drain hose and make sure washer is not sitting on it.
	Household drain may be clogged	Check household plumbing. You may need to call a plumber.
	Drain hose siphoning; drain hose pushed too far down the drain	Ensure there is an air gap between hose and drain.
Leaking water	Door gasket is damaged	Check to see if gasket is seated and not torn. Objects left in pockets may cause damage to the washer (nails, screws, pens, pencils) Water may drip from the door when the door is opened. This is a normal operation. Carefully wipe off rubber door seal. Sometimes dirt or clothing is left in this seal and can cause a small leak
	Check back left of washer for water	If this area is wet, you have oversudsing condition. Use less detergent.
	Fill hoses or drain hose is improperly connected	Make sure hose connections are tight at washer and faucets and make sure end of drain hose is correctly inserted in and secured to drain facility.
	Household drain may be clogged	Check household plumbing. You may need to call a plumber.
	Dispenser clogged	Powder soap may cause clogs inside the dispenser and cause water to leak out the front of the dispenser. Remove drawer and clean both drawer and inside of dispenser box. Please refer to Care and Cleaning section.
	Incorrect use of detergent	Use only HE and correct amount of detergent.
	Dispenser box cracked	If new installation, check for crack on inside of dispenser box.
Clothes too wet	Load is out of balance	Redistribute clothes and run Rinse & Spin .
		Increase load size if washing small load containing heavy and light items.
		The machine will slow the spin speed down to 410 rpm if it has a hard time balancing the load. This speed is normal.
	Pump filter may be clogged	See the Care and Cleaning section on how to clean the Pump Filter .
	Overloading	The dry weight of the load should be less than 16 lbs.
	Drain hose is kinked or improperly connected	Straighten drain hose and make sure washer is not sitting on it.
	Household drain may be clogged	Check household plumbing. You may need to call a plumber.
Drain hose siphoning; drain hose pushed too far down the drain	Ensure there is an air gap between hose and drain.	

Troubleshooting Tips... Before you call for service

Problem	Possible Cause	What To Do
Incomplete cycle or timer not advancing	Automatic load redistribution	Timer adds 3 minutes to cycle for each rebalance. 11 or 15 rebalances may be done. This is normal operation. Do nothing; the machine will finish the wash cycle.
	Pump filter may be clogged	See the Care and Cleaning section on how to clean the Pump Filter .
	Drain hose is kinked or improperly connected	Straighten drain hose and make sure washer is not sitting on it.
	Household drain may be clogged	Check household plumbing. You may need to call a plumber.
	Drain hose siphoning; drain hose pushed too far down the drain	Ensure there is an air gap between hose and drain.
Loud or unusual noise; vibration or shaking	Cabinet moving	Washer is designed to move 1/4" to reduce forces transmitted to the floor. This movement is normal.
	All rubber leveling legs are not firmly touching the floor	Push and pull on the back right and then back left of your washer to check if it is level. If the washer is uneven, adjust the rubber leveling legs so they are all firmly touching the floor and locked in place.
	Unbalanced load	Pause unit, open door and manually redistribute load. To check machine, run rinse and spin with no load. If normal, unbalance was caused by load.
	Pump filter may be clogged	See the Care and Cleaning section on how to clean the Pump Filter .
No power/washer not working or dead	Washer is unplugged	Make sure cord is plugged securely into a working outlet.
	Water supply is turned off	Turn both hot and cold faucets fully on.
	Circuit breaker/fuse is tripped/blown	Check house circuit breakers/fuses. Replace fuses or reset breaker. Washer should have separate outlet.
	Automatic self system checks	First time the washer is plugged in, automatic checks occur. It may take up to 20 seconds before you can use your washer. This is normal operation.
Snags, holes, tears, rips or excessive wear	Overloaded	Do not exceed maximum recommended load sizes. See recommended maximum load sizes in the Loading section.
	Pens, pencils, nails, screws or other objects left in pockets	Remove loose items from pockets.
	Pins, snaps, hooks, sharp buttons, belt buckles, zippers and sharp objects left in pockets	Fasten snaps, hooks, buttons and zippers.
Control time wrong or changes	This is normal	During spin the washer may need to rebalance the load sometimes to reduce vibrations. When this happens, the estimated time is increased causing time left to increase or jump.
Not enough water	This is normal	Horizontal washers do not require the tub to fill with water like top-load washers.

Troubleshooting Tips... Before you call for service

Problem	Possible Cause	What To Do
Washer pauses or has to be restarted, or washer door is locked and will not open	Pump filter may be clogged	See the Care and Cleaning section on how to clean the Pump Filter .
Door unlocks or press Start and machine doesn't operate	This is normal	Front-load washers start up differently than top-load washers, and it takes several seconds to check the system. The door will lock and unlock.
	Incorrect operation	Simply open and close the door firmly; then press Start .
Water does not enter washer or enters slowly	Automatic self system checks	After Start is pressed, the washer does several system checks. Water will flow several seconds after Start is pressed.
	Water valve screens are stopped up	Turn off the water source and remove the water connection hoses from the upper back of the washer. Use a brush or toothpick to clean the screens in the machine. Reconnect the hoses and turn the water back on.
	Inlet hose screen washers are stopped up	Turn off the water source and remove the inlet hoses from the wall faucets. Use a brush or toothpick to clean the screen washers in the end of the hoses. Reconnect the hoses and turn the water back on.
	Pump filter may be clogged	See the Care and Cleaning section on how to clean the Pump Filter .
	Fill hoses may be kinked	Check that fill hoses are not kinked or clogged.
	Water supply is turned off	Turn on both hot and cold faucets fully.
	Energy efficiency	This is an energy-efficient washer. As a result, the temperature settings for this washer may be different than for a non-energy-efficient washer.
	Insufficient water supply	Make sure that the water supply is turned on. Make sure that the water faucets are turned to their completely open position.
	The washer door is open	The washer door must be closed for all washer cycle operations. If the door is opened during the washer operation, all functions will stop, including water filling.
	Incorrect fill hose connection	Make sure that the fill hoses connect the hot water supply to the hot inlet on the washer and the cold water supply to the cold inlet on the washer (hot to hot, cold to cold).
Wrinkling	Improper sorting	Avoid mixing heavy items (like work clothes) with light items (like blouses).
	Overloading	Load your washer so clothes have enough room to move freely.
	Incorrect wash cycle	Match cycle selection to the type of fabric you are washing (especially for easy care loads).
	Repeated washing in water that is too hot	Wash in warm or cold water.

Troubleshooting Tips... Before you call for service

Problem	Possible Cause	What To Do
Grayed or yellowed clothes	Not enough detergent	Use correct amount of detergent.
	Not using HE (high efficiency) detergent	Use only HE detergent.
	Hard water	Use hottest water safe for fabric.
		Use a water conditioner like Calgon brand or install a water softener.
	Water is not hot enough	Make sure water heater is delivering water at 120°–140°F (48°–60°C).
	Detergent is not dissolving	Try a liquid HE detergent.
Dye transfer	Sort clothes by color. If fabric label states wash separately, unstable dyes may be indicated.	
Colored spots	Incorrect use of fabric softener	Check fabric softener package for instructions and follow directions for using dispenser.
	Dye transfer	Sort whites or lightly colored items from dark colors.
		Promptly remove wash load from washer.
Water temperature is incorrect	Water supply is improperly connected	Make sure hoses are connected to correct faucets.
	House water heater is not set properly	Make sure house water heater is delivering water at 120°–140°F (48°–60°C).
Bad odor inside your Washer	Washer unused for a long time, not using recommended quality of HE detergent or used too much detergent	Regularly use ULTRAFRESH VENT between uses.
		In case of strong odor, you may need to run the Self Clean cycle more than once.
		Use only the amount of detergent recommended or adjust SmartDispense to LOW .
		Use only HE (high efficiency) detergent.
		Always remove wet items from the washer promptly after it stops running or use 1 Step Wash + Dry or Tumble Care .
		If you choose to not use the ULTRAFRESH VENT System, leave the door slightly open for the washer to air dry. Close supervision is necessary if this appliance is used by or near children. Do not allow children to play on or in this appliance.
Detergent leak	This is normal	It is normal operation to see detergent leak on door gasket about 20 seconds after filling the dispenser.
Improper dispensing of softener or bleach	Dispenser clogged	Monthly clean the dispenser drawer to remove buildup of chemicals.
	Softener or bleach is filled above the max line	Make sure to have the correct amount of softener.
Dispenser drawer not dispensing properly	Laundry detergent packet placed in dispenser drawer	Laundry detergent packets should not be used in the dispenser. They should only be added directly to the wash tub following the manufacturer's directions.
Pump running while washer is not in use	Clog in sump drain	This is normal. Drain sump is detecting an undesired water fill level from a potential open faucet. Shut off water valve and inspect water valve for blockage.

GE Appliances Washer Limited Warranty

LIMITED WARRANTY

GEAppliances.com

All warranty service is provided by our Factory Service Centers, or an authorized Customer Care® technician. To schedule service online, visit us at GEAppliances.com/service, or call GE Appliances at 800.GE.CARES (800.432.2737). Please have your serial number and your model number available when calling for service.

Servicing your appliance may require the use of the onboard data port for diagnostics. This gives a GE Appliances factory service technician the ability to quickly diagnose any issues with your appliance and helps GE Appliances improve its products by providing GE Appliances with information on your appliance. If you do not want your appliance data to be sent to GE Appliances, please advise your technician not to submit the data to GE Appliances at the time of service.

For the period of:	We will replace:
One year From the date of the original purchase	Any part of the washer which fails due to a defect in materials or workmanship. During this limited one-year warranty , we will also provide, free of charge , all labor and related service to replace the defective part.
Ten years From the date of the original purchase	The motor , if it should fail due to a defect in materials or workmanship. During this additional nine-year limited warranty , you will be responsible for any labor and related service costs.

What is not covered:

- Service trips to your home to teach you how to use the product.
- Improper installation, delivery or maintenance.
- Failure of the product if it is abused, misused, or used for other than the intended purpose or used commercially.
- Replacement of house fuses or resetting of circuit breakers.
- Products which are not defective or broken, or which are working as described in the Owner's Manual.
- Damage to the product caused by accident, fire, floods or acts of God.
- Incidental or consequential damage caused by possible defects with this appliance.
- Defects or damage due to operation in freezing temperatures.
- Damage caused after delivery.
- Product not accessible to provide required service.

EXCLUSION OF IMPLIED WARRANTIES

Your sole and exclusive remedy is product repair as provided in this Limited Warranty. Any implied warranties, including the implied warranties of merchantability or fitness for a particular purpose, are limited to one year or the shortest period allowed by law.

In the United States:

This limited warranty is extended to the original purchaser and any succeeding owner for products purchased for home use within the USA. If the product is located in an area where service by a GE Appliances Authorized Servicer is not available, you may be responsible for a trip charge or you may be required to bring the product to an Authorized GE Appliances Service location for service. In Alaska, the limited warranty excludes the cost of shipping or service calls to your home.

Some states do not allow the exclusion or limitation of incidental or consequential damages. This limited warranty gives you specific legal rights, and you may also have other rights which vary from state to state. To know what your legal rights are, consult your local or state consumer affairs office or your state's Attorney General.

Warrantor: GE Appliances, a Haier Company, Louisville, KY 40225

In Canada:

This limited warranty is extended to the original purchaser and any succeeding owner for products purchased in Canada for home use within Canada. If the product is located in an area where service by a GE Appliances Authorized Servicer is not available, you may be responsible for a trip charge or you may be required to bring the product to an Authorized GE Appliances Service location.

Some provinces do not allow the exclusion or limitation of incidental or consequential damages. This limited warranty gives you specific legal rights, and you may also have other rights which vary from province to province. To know what your legal rights are, consult your local or provincial consumer affairs office.

Warrantor: MC Commercial Inc., Burlington, ON, L7R 5B6

Extended Warranties: Purchase a GE Appliances extended warranty and learn about special discounts that are available while your warranty is still in effect. You can purchase it online anytime at

GEAppliances.com/extended-warranty

or call 800.626.2224 during normal business hours. GE Appliances Service will still be there after your warranty expires.

Staple your receipt here. Proof of the original purchase date is needed to obtain service under the warranty.

Consumer Support

GE Appliances Website

Have a question or need assistance with your appliance? Try the GE Appliances Website 24 hours a day, any day of the year! You can also shop for more great GE Appliances products and take advantage of all our on-line support services designed for your convenience. In the US: GEAppliances.com.

In Canada: GEAppliances.ca.

Register Your Appliance

Register your new appliance on-line at your convenience! Timely product registration will allow for enhanced communication and prompt service under the terms of your warranty, should the need arise. You may also mail in the pre-printed registration card included in the packing material. In the US: GEAppliances.com/register.

In Canada: Prodsupport.mabe.ca/crm/Products/ProductRegistration.aspx.

Schedule Service

Expert GE Appliances repair service is only one step away from your door. Get on-line and schedule your service at your convenience any day of the year. In the US: GEAppliances.com/service or call 800.432.2737 during normal business hours.

In Canada: GEAppliances.ca/en/support/service-request or call 800.561.3344.

Extended Warranties

Purchase a GE Appliances extended warranty and learn about special discounts that are available while your warranty is still in effect. You can purchase it on-line anytime. GE Appliances Services will still be there after your warranty expires. In the US: GEAppliances.com/extended-warranty or call 800.626.2224 during normal business hours.

In Canada: GEAppliances.ca/en/support/purchase-extended-warranty or call 866.277.9842.

Remote Connectivity

For assistance with wireless network connectivity (for models with remote enable), in the US visit our website at GEAppliances.com/connected-home-smart-appliances/ or call 800.220.6899.

In Canada: <http://www.geappliances.ca/en/news-and-promotions/what-is-hot/wifi-connect/>.

Parts and Accessories

Individuals qualified to service their own appliances can have parts or accessories sent directly to their homes (VISA, MasterCard and Discover cards are accepted). Order on-line today 24 hours every day.

In the US: GEApplianceparts.com or by phone at 877.959.8688 during normal business hours.

In Canada: GEAppliances.ca/en/products/parts-filters-accessories or call 800.661.1616.

Instructions contained in this manual cover procedures to be performed by any user. Other servicing generally should be referred to qualified service personnel. Caution must be exercised, since improper servicing may cause unsafe operation.

Contact Us

If you are not satisfied with the service you receive from GE Appliances, contact us on our Website with all the details including your phone number, or write to:

In the US: General Manager, Customer Relations | GE Appliances, Appliance Park | Louisville, KY 40225

GEAppliances.com/contact.

In Canada: Director, Consumer Relations, MC COMMERCIAL INC. | Suite 310, 1 Factory Lane | Moncton, N.B. E1C 9M3
GEAppliances.ca/en/contact-us.



LAVEUSES

CONSIGNES DE SÉCURITÉ3

UTILISATION DE LA LAVEUSE
 Comment démarrer 5
 Connectivité WiFi.....14
 Chargement.....15

ENTRETIEN ET NETTOYAGE..... 16

INSTRUCTIONS D'INSTALLATION18
 Inversion de l'ouverture de la porte (Optionnel)23

CONSEILS DE DÉPANNAGE27

GARANTIE LIMITÉE 31

SOUTIEN AU CONSOMMATEUR 32

GUIDE DE L'UTILISATEUR ET INSTRUCTION D'INSTALLATION

GFW850
GFW650
GFW550
GFW510

FRANÇAIS

Inscrivez ici les numéros de modèle et de série :

Modèle # _____

Série # _____

Vous les trouverez sur une étiquette placée à l'intérieur de la porte.

NOUS VOUS REMERCIONS D'ACCUEILLIR GE APPLIANCES CHEZ VOUS

Que vous ayez grandi avec GE Appliances ou qu'il s'agisse de votre première acquisition, nous sommes heureux de vous accueillir dans notre famille.

Nous sommes fiers du savoir-faire, de l'innovation et de l'esthétique qui composent chaque appareil GE Appliances, et nous pensons que vous le serez aussi. Dans cette optique, nous vous rappelons que l'enregistrement de votre électroménager vous assure la communication de renseignements importants sur le produit et la garantie lorsque vous en avez besoin.

Enregistrez votre électroménager GE en ligne dès maintenant. Des sites Web et des numéros de téléphone utiles figurent dans la section Soutien au consommateur de ce manuel d'utilisation. Vous pouvez aussi poster la fiche de garantie préimprimée incluse dans l'emballage.



GE APPLIANCES

CONSIGNES DE SÉCURITÉ IMPORTANTES

LIRE TOUTES LES CONSIGNES AVANT D'UTILISER L'APPAREIL

▲ AVERTISSEMENT

Pour réduire les risques de décès, d'incendie, d'explosion, de choc électrique ou de blessures lorsque vous utilisez votre appareil, suivez les mesures de sécurité de base, notamment :

- Lisez toutes les instructions avant d'utiliser l'appareil.
- Suivez toutes les instructions et avertissements de soin des tissus pour éviter que les vêtements fondent ou des dommages à l'appareil.
- **NE** nettoyez et **NE** séchez **PAS** d'articles qui ont été nettoyés, lavés, trempés ou tachés avec de l'essence, du solvant pour nettoyage à sec ou d'autres produits combustibles ou substances explosives, car ces derniers peuvent dégager des vapeurs qui pourraient s'enflammer ou exploser.
- **N'ajoutez PAS** de l'essence, du solvant pour nettoyage à sec ou d'autres produits combustibles ou substances explosives à l'eau de lavage. Ces substances peuvent dégager des vapeurs qui pourraient s'enflammer ou provoquer une explosion.
- Dans certaines conditions, de l'hydrogène peut se former dans un circuit d'eau chaude qui n'a pas été utilisé pendant deux semaines ou plus. L'HYDROGÈNE EST UN GAZ EXPLOSIF. Si le circuit d'eau chaude n'a pas été utilisé pendant une telle période, ouvrez tous les robinets d'eau chaude et laissez l'eau couler pendant plusieurs minutes avant d'utiliser votre laveuse. Ainsi, l'hydrogène accumulé sera évacué du système. Ce gaz étant inflammable, **NE** fumez **PAS** et n'utilisez pas de flamme nue pendant cette opération.
- **NE** laissez **PAS** les enfants jouer sur ou à l'intérieur de cet appareil. La présence d'enfants près de cet appareil lorsqu'il est en marche doit faire l'objet d'une étroite supervision. Avant de mettre la laveuse au rebut ou hors service, retirez la porte ou le couvercle. Le non-respect de ces instructions peut entraîner le décès ou des blessures.
- **NE** mettez **PAS** la main dans l'appareil lorsque le tambour ou l'agitateur est en mouvement pour éviter d'être happé accidentellement.
- **N'installez** ou n'entrez **PAS** cet appareil dans un endroit où il sera exposé aux intempéries.
- **NE** modifiez **PAS** les commandes, ne réparez ou ne remplacez pas de pièce de cet appareil et ne tentez pas d'effectuer une réparation, sauf si cette procédure est recommandée expressément dans les instructions d'entretien de l'utilisateur ou dans les instructions de réparation de l'utilisateur et que vous possédez les connaissances et les aptitudes requises pour le faire.
- **ABSTENEZ-VOUS** de grimper ou de vous tenir sur l'appareil.
- **N'utilisez PAS** cet appareil s'il est endommagé, s'il fonctionne mal, s'il est partiellement démonté ou si certaines de ses pièces manquent ou sont cassées (y compris le cordon d'alimentation ou la fiche).
- Débranchez l'appareil ou fermez son disjoncteur avant de procéder à l'entretien. Appuyer sur le bouton d'alimentation **Power** de l'appareil **NE** le déconnecte **PAS** de l'alimentation.
- Consultez la section sur le « EXIGENCES ÉLECTRIQUES » des instructions d'installation pour obtenir les procédures de mise à la terre.

LIRE ET CONSERVEZ CES DIRECTIVES

CONSIGNES DE SÉCURITÉ IMPORTANTES

LIRE TOUTES LES CONSIGNES AVANT D'UTILISER L'APPAREIL

INSTALLATION APPROPRIÉE

Cette laveuse doit être installée conformément aux instructions d'installation avant d'être utilisée.

- Assurez-vous que le boyau d'eau chaude est raccordé au robinet « H » et que le boyau d'eau froide est raccordé au robinet « C ».
- Installez ou entreposez l'appareil à un endroit où il ne sera exposé ni à des températures en dessous du point de congélation ni aux intempéries; l'appareil pourrait subir des dommages permanents et la garantie serait annulée.
- Mettez la laveuse à la terre conformément aux codes et règlements en vigueur. Suivez les instructions détaillées de la section « Instructions d'installation ».
- Veillez à ce que la laveuse soit bien de niveau et que les pieds soient correctement réglés pour que cet appareil soit stable.
- Une rallonge de tuyau d'évacuation optionnelle est recommandée pour les hauteurs d'évacuation allant de 60 à 96 po (152,4 à 243,8 cm).
- GE Appliances recommande fortement d'utiliser les pièces spécifiées du fabricant. Une liste de boyaux manufacturés disponibles pour l'achat est indiquée. Ces boyaux ont été fabriqués et testés afin de répondre aux spécifications de GE Appliances.
- GE Appliances recommande fortement d'utiliser de nouveaux boyaux d'alimentation en eau. Les boyaux se dégradent avec le temps et doivent être remplacés tous les cinq ans afin de réduire le risque de bris de boyau et de dégâts d'eau.

LORSQUE L'APPAREIL N'EST PAS UTILISÉ

- Fermez les robinets d'eau pour réduire les fuites en cas de tuyau cassé. Vérifiez l'état des tuyaux de remplissage. GE Appliances recommande de les remplacer tous les 5 ans.

PIÈCES ET ACCESSOIRES

Consultez votre annuaire local pour un détaillant de pièces autorisé ou appelez-nous au 800.661.1616 ou Electromenagersge.ca/fr/produits/filtres-et-accessoires.

Numéro de pièce	Accessoire
WX14X10011	6 ft stainless steel washer hoses with 90° elbows; 2-pack
WH49X316	Washer drain hose extension kit
WX10X10011	Nettoyant pour laveuse Tide®*
PM7X2	Universal low profile washer floor tray
GFA28KITN	Trousse de support d'empilement (pour empiler la sècheuse sur le dessus)
GFP1528S	28" width Pedestal with drawer – White
GFP1528P	28" width Pedestal with drawer – Colors

*Tide® est une marque déposée de Procter & Gamble

LIRE ET CONSERVEZ CES DIRECTIVES

Comment démarrer

⚠ AVERTISSEMENT Pour réduire le risque d'incendie, de choc électrique ou de blessure, lisez les **CONSIGNES DE SÉCURITÉ IMPORTANTES** avant de faire fonctionner cet appareil.

Les caractéristiques et l'apparence de la cuisinière montrée dans ce manuel peuvent varier selon le modèle.

Démarrage rapide :

Étape 1

Chargez les vêtements dans votre laveuse et fermez la porte.



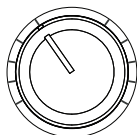
Étape 2

Si l'écran est obscur, appuyez sur le bouton Power (alimentation) ou tournez le bouton pour activer l'afficheur.



Étape 3

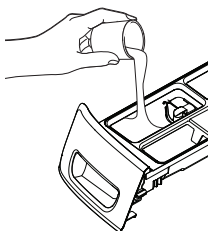
Tournez le bouton sur le cycle désiré.



(Les options de cycle varient selon le modèle)

Étape 4

Ouvrez le distributeur et ajoutez le détergent, le javellisant et le produit assouplissant, au besoin. Avec les modèles avec SmartDispense™, vous devez presser la touche SmartDispense seulement après que le réservoir a été rempli.



Étape 5

Appuyez sur Start (Démarrer) pour commencer le cycle de lavage. L'appareil va peser vos vêtements et ajouter la quantité d'eau appropriée. La porte se déverrouille une fois le cycle de lavage terminé.



Étape 6

Une fois le cycle de lavage terminé et les vêtements retirés, sélectionnez ULTRAFRESH VENT™ pour éliminer l'humidité excédentaire dans votre laveuse de façon que vous puissiez fermer la porte.



Affichage et voyants d'état (Las características y apariencia variarán)



L'écran affiche le temps approximatif restant avant la fin du programme l'état du cycle (**Fill, Wash, Rinse et Spin**).

REMARQUE : La durée du cycle varie selon la durée du remplissage de la laveuse. La vitesse de remplissage dépend à son tour de la pression d'eau à votre domicile. La minuterie « intelligente » tient compte du temps de remplissage et ajuste la durée totale du cycle en conséquence.

Si une condition de déséquilibre est détectée par la laveuse, le voyant d'essorage (**Spin**) clignotera pendant le restant du cycle et restera allumé pendant une courte période de temps une fois le cycle terminé. Lorsque cela se produit, la laveuse prend des mesures pour corriger la condition de déséquilibre et terminer le cycle normalement. Dans certains cas, il est possible que la laveuse ne puisse pas être en mesure d'équilibrer la charge et essorer à pleine vitesse. Si vous remarquez que la charge est plus humide que normalement à la fin du cycle, répartissez la charge uniformément dans le panier de lavage et commencez un cycle **Rinse & Spin** (Rinçage & Essorage).

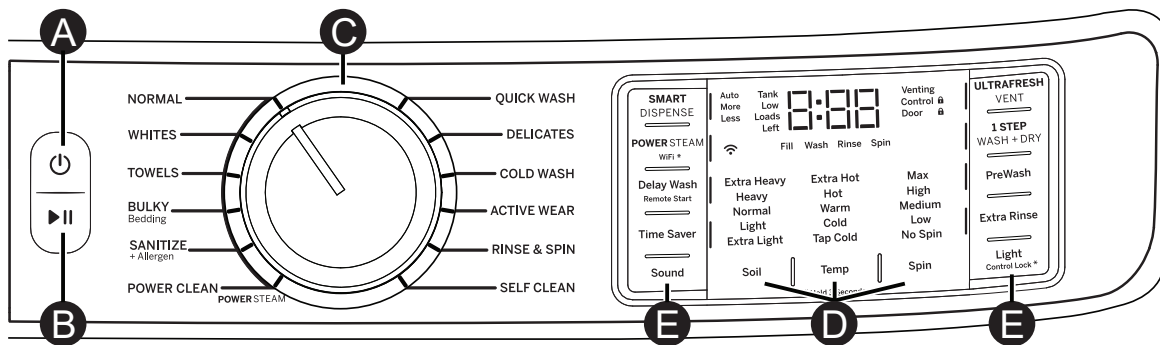
De plus, cet écran affiche :

(WiFi)	Ce module permettra à votre électroménager de communiquer avec votre téléphone intelligent pour la surveillance, la commande et la réception d'avis à distance. Son voyant reste allumé chaque fois que la laveuse est sous tension (ON) et connectée. Il clignote durant la mise en service ou s'il perd la connexion au réseau.
Venting	Le mot « Venting » (Ventilation) clignote pour indiquer que vous avez choisi la fonction ULTRAFRESH VENT à la fin du cycle. Une fois sélectionné, il reste allumé jusqu'à la fin de la ventilation.
Control	Les commandes sur la laveuse sont verrouillées lorsque cette icône est allumée. Vous devez maintenir une pression sur la touche Control Lock (Verrouillage des commandes) pour déverrouiller les commandes.
Door	Cette icône s'allume quand la porte est verrouillée et clignote quand la laveuse est à l'étape de pause suivie du déverrouillage.
Auto, More, Less (sur certains modèles)	La fonction SmartDispense dose automatiquement le détergent en fonction du poids et du degré de saleté des vêtements. Vous pouvez régler cette fonction pour doser 40 % PLUS ou 40 % MOINS de détergent, ou désactivez-la (OFF) pour doser le détergent manuellement.
Tank Low (sur certains modèles)	S'affichera lorsqu'il faudra remplir le réservoir de distribution intelligente. Généralement, ces mots s'affichent la première fois lorsqu'il reste du détergent pour environ 8 à 10 brassées.
Loads Left (sur certains modèles)	Affiche le nombre estimatif de brassées de lavage qui restent pour la quantité de détergent dans le réservoir de distribution intelligente.

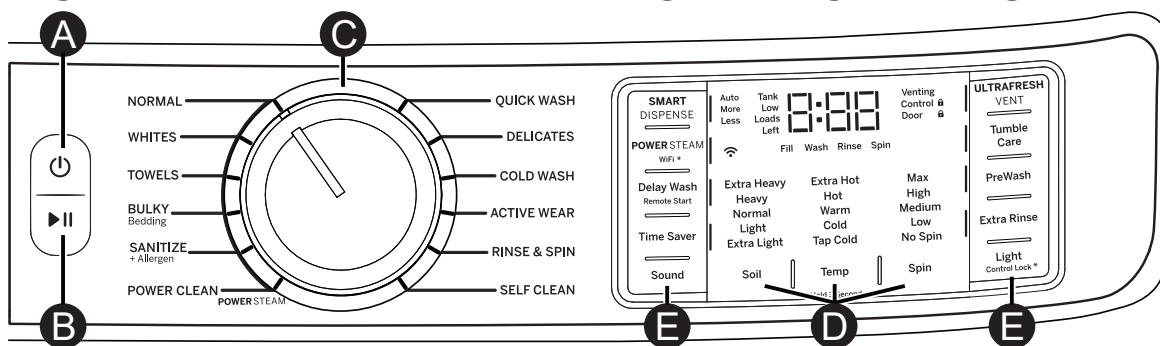
Comment démarrer

Les caractéristiques et l'apparence varieront.

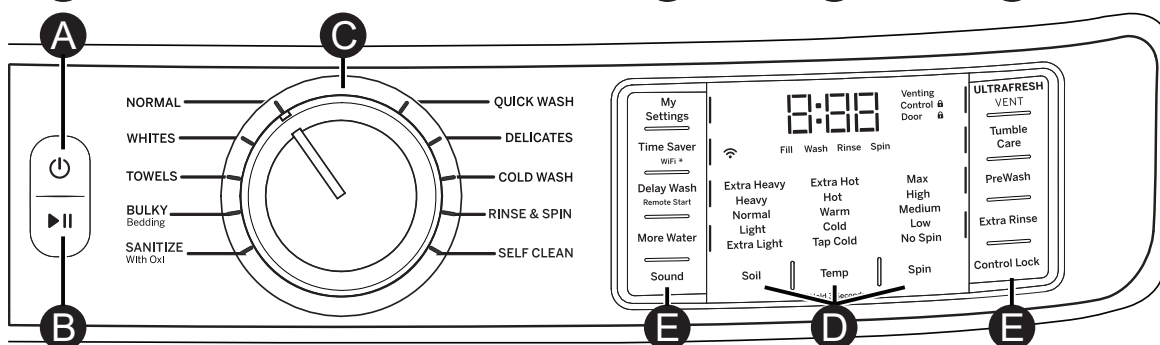
Modèles :
GFW850



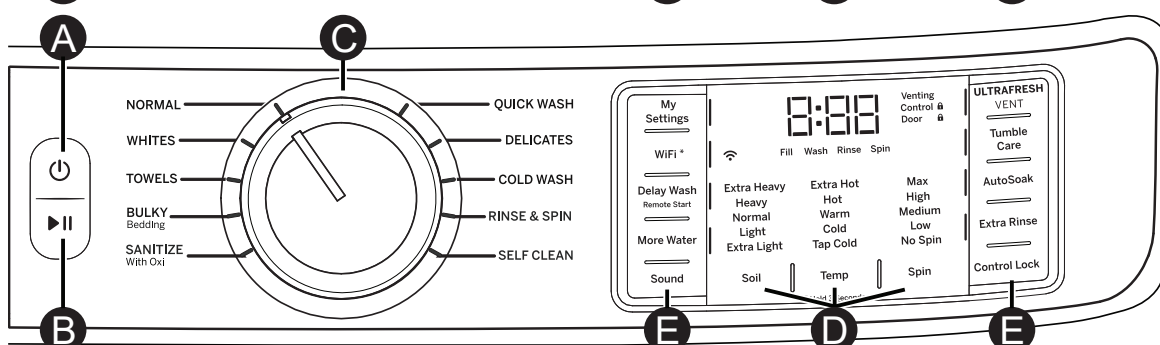
Modèles :
GFW650



Modèles :
GFW550



Modèles :
GFW510



- A Power (alimentation)**
Appuyez pour activer l'affichage. Si l'affichage est actif, appuyez pour mettre la laveuse en mode d'attente « Off ».
NOTE : Vous ne débranchez pas votre appareil de l'alimentation électrique en appuyant sur **Power (alimentation)**.
- B Start/Pause (Départ/Pause)**
Appuyez pour mettre en marche un cycle de lavage. Si la laveuse fonctionne, vous l'arrêtez en appuyant une fois et déverrouillez la porte. Après avoir appuyer sur **Pause** (Pause), il s'écoulera quelques secondes avant que la porte ne s'ouvre. Appuyez à nouveau pour remettre en marche le cycle de lavage.
NOTE : En arrêtant la laveuse et en ne remettant pas en marche le cycle dans les 15 minutes qui suivent, vous annulez le cycle de lavage actuel.
NOTE : La laveuse procède à des vérifications automatiques du système une fois que vous avez appuyé sur le bouton **Start** (Départ). L'eau se mettra à couler dans un délai de 45 secondes ou moins. Vous entendrez peut-être la porte se verrouiller et se déverrouiller et la pompe active avant que l'eau ne coule.

Comment démarrer

C Cycles de lavage

Les cycles sont optimisés pour des catégories particulières de charges de lavage. Le tableau ci-dessous vous aidera à apparier les articles à laver avec les meilleurs réglages des cycles de lavage. Pour un rendement optimal, sélectionnez le cycle qui s'approche le plus des articles à laver. Les sélections et les options en **gras** sont les réglages du cycle suggérés. **Delay Wash/Remote Start** est disponible pour tous les cycles.

Cycle de lavage	Articles à laver	Degré de saleté	Temp de lavage	Sélection d'essorage	Options disponibles
Normal	Cycle pour un lavage normal, régulier, typique d'une pleine brassée de vêtements de coton normalement sales	Extrêm. sale Très sale Normal Légèr. Très légèr.	Très chaud Chaud Tiède Froid Froid robinet	Max Haut Moyen	Prélavage* ou trempage auto* Vapeur puissante* Économiseur de temps* Rinçage suppl. Culbutage antifoissage* ou 1 Step Wash + Dry*
Whites (Blancs)	Vêtements blancs et linge de maison.	Extrêm. sale Très sale Normal Légèr. Très légèr.	Très chaud Chaud Tiède Froid Froid robinet	Max Haut Moyen Bas	Prélavage* ou trempage auto* Vapeur puissante* Économiseur de temps* Plus d'eau* Rinçage suppl. Culbutage antifoissage* ou 1 Step Wash + Dry*
Towels (Serviettes)	Serviettes, draps, taies d'oreiller et lavettes.	Extrêm. sale Très sale Normal Légèr. Très légèr.	Chaud Tiède Froid Froid robinet	Max Haut Moyen Bas	Prélavage* ou trempage auto* Vapeur puissante* Économiseur de temps* Plus d'eau* Rinçage suppl. Culbutage antifoissage* ou 1 Step Wash + Dry*
Bulky Bedding (Lingerie volumineuse)	Grands manteaux, couvre-lits, couvre-matelas, sacs de couchage et articles volumineux similaires.	Extrêm. sale Très sale Normal Légèr. Très légèr.	Chaud Tiède Froid Froid robinet	Max Haut Moyen Bas	Prélavage* ou trempage auto* Vapeur puissante* Économiseur de temps* Plus d'eau* Rinçage suppl. Culbutage antifoissage* ou 1 Step Wash + Dry*
Sanitize+ Allergen* (Désinfection + allergènes)	Articles grand teint très sales qui nécessitent une désinfection.	Extrêm. sale Très sale	Très chaud	Max Haut Moyen Bas	Prélavage Vapeur puissante* Rinçage suppl. Culbutage antifoissage* ou 1 Step Wash + Dry*
Sanitize With Oxi* (Désinfection Oxi)	Articles grand teint très sales qui nécessitent une désinfection.	Extrêm. sale Très sale	Très chaud	Max Haut Moyen Bas	Prélavage* ou trempage auto* Rinçage suppl. Culbutage antifoissage

*Certains cycles et options ne sont pas offerts sur tous les modèles.

REMARQUE :

Les températures d'eau du cycle **SANITIZE + Allergen** (Désinfecter + Allergène) NE SONT PAS modifiables. Ce cycle utilise une température élevée et un cycle de lavage plus long pour éliminer les acariens des poussières et réduit 99 % des bactéries communes des tissus. Une purge de la pompe et un rinçage prolongé sont intégrés dans le but de retirer les contaminants et les allergènes tels que les squames d'animaux.

Les températures d'eau du cycle **SANITIZE With Oxi** (Désinfecter avec Oxi) NE SONT PAS modifiables. Ce cycle, utilisé avec un additif Oxi et du détergent, est conçu pour éliminer 99 % des bactéries présentes dans la blanchisserie domestique. Mesurez le détergent et les produits Oxi avec soin. Tout en utilisant les quantités appropriées pour une grande brassée très sale chargée dans une laveuse à chargement frontal, suivez les instructions des étiquettes du détergent et du produit Oxi. L'alimentation d'eau chaude de la laveuse doit atteindre un minimum de 120 °F pour assurer l'efficacité de ce cycle.

Seuls les cycles **SANITIZE + Allergen** et **SANITIZE With Oxi** ont été conçus pour répondre aux exigences relatives à l'efficacité de la désinfection.

Comment démarrer

🕒 Cycles de lavage - Suite

Les cycles sont optimisés pour des catégories particulières de charges de lavage. Le tableau ci-dessous vous aidera à appairer les articles à laver avec les meilleurs réglages des cycles de lavage. Pour un rendement optimal, sélectionnez le cycle qui s'approche le plus des articles à laver. Les sélections et les options en **gras** sont les réglages du cycle suggérés. **Delay Wash/Remote Start** est disponible pour tous les cycles.

Cycle de lavage	Articles à laver	Degré de saleté	Temp de lavage	Sélection d'essorage	Options disponibles
Power Clean* (Nettoyage puissant)	Pour articles très sales qui exigent une puissance de nettoyage additionnelle.	Extrêm. sale Très sale Normal	Chaud Tiède Froid Froid robinet	Max Haut Moyen Bas	Prélavage Vapeur puissante Rinçage suppl. Culbutage antifroissage* ou 1 Step Wash + Dry*
Quick Wash (Lavage rapide)	Pour les petites brassées d'articles légèrement sales dont on a besoin rapidement.	Normal Légèr. Très légèr.	Chaud Tiède Froid Froid robinet	Max Haut Moyen Bas	Plus d'eau* Rinçage suppl. Culbutage antifroissage* ou 1 Step Wash + Dry*
Delicates (Déliçats)	Pour la lingerie et les tissus délicats avec degré de saleté léger à normal.	Normal Légèr. Très légèr.	Tiède Froid Froid robinet	Moyen Bas Pas d'essorage	Prélavage* ou trempage auto* Économiseur de temps* Plus d'eau* Rinçage suppl. Culbutage antifroissage* ou 1 Step Wash + Dry*
Lavage à froid	Cycle pour un lavage normal, régulier, typique d'une pleine brassée de vêtements de coton normalement sales sales en utilisant uniquement de l'eau froide.	Extrêm. sale Très sale Normal Légèr. Très légèr.	Froid Froid robinet	Max Haut Moyen Bas	Prélavage* ou trempage auto* Plus d'eau* Rinçage suppl. Culbutage antifroissage* ou 1 Step Wash + Dry*
Active Wear* (Tenue active)	Tenue athlétique légèrement à moyennement sale fabriquée de tissus techniques ou synthétiques.	Extrêm. sale Très sale Normal Légèr. Très légèr.	Tiède Froid Froid robinet	Moyen Bas Pas d'essorage	Prélavage Économiseur de temps* Rinçage suppl. Culbutage antifroissage* ou 1 Step Wash + Dry*
Rinse & Spin (Rinçage et essorage)	Utilisez ce cycle pour les articles qui nécessitent seulement un rinçage.			Max Haut Moyen Bas Pas d'essorage	Plus d'eau* Rinçage suppl. Culbutage antifroissage* ou 1 Step Wash + Dry*
(Autonettoyage)	Nettoyage du panier pour éliminer les résidus et les odeurs. Aucun vêtement à laver avec ce cycle.			Moyen	

*Certains cycles et options ne sont pas offerts sur tous les modèles.

Comment démarrer

D Settings (Réglages)

On peut choisir des réglages précis allant du minimum au maximum pour le degré de saleté (**Level**), la température de l'eau (**Temp**) et la vitesse d'essorage (**Spin**). En général, la consommation d'énergie augmentera avec la hauteur dans la colonne.

Soil (Saleté)

En changeant le **Soil level** (niveau de saleté), vous augmentez ou diminuez la durée de lavage pour enlever divers montants de saleté.

Pour changer le **Soil level** (niveau de saleté), appuyez sur le bouton **Soil level** (niveau de saleté) jusqu'au réglage désiré. Vous pouvez choisir entre Extra Light (très peu sale), Light (peu sale), Normal (normal) ou Heavy Soil (vraiment sale) sur la plupart des cycles.

Temp (Température)

Ajustez pour choisir la bonne température de l'eau pour le cycle de lavage. L'eau de **AutoSoak** (Remojo Automático) et **PreWash** (Pré lavage) de rinçage est toujours froide pour réduire l'utilisation d'énergie et diminuer la fixation des taches et les froissements.

Suivez l'étiquette du fabricant pour choisir la température de lavage.

Pour changer la température de lavage, appuyez sur le bouton **Temp** (Température) jusqu'au réglage désiré. Vous pouvez choisir entre Tap Cold (Froide du robinet), Cold (Froide), Warm (Tiède), Hot (Chaude) ou Extra Hot (Très chaude) sur la plupart des cycles. Pour protéger les tissus, certains cycles ne donnent pas accès à toutes les températures de lavage. Les températures très chaudes sont possibles grâce à un élément chauffant interne sur les modèles équipés de la fonction Steam (Vapeur).

NOTE : Pendant les dix premières secondes du remplissage, l'eau est toujours froide. Cela aide à conditionner les tissus et empêche la fixation des taches sur les vêtements.

Spin (Essorage)

En changeant la **Spin** (Vitesse d'essorage), vous changez la vitesse de l'essorage final des cycles. Suivez toujours les instructions de l'étiquette du vêtement pour changer la **Spin** (Vitesse d'essorage).

Pour changer la **Spin** (Vitesse d'essorage), appuyez sur le bouton **Spin** (Vitesse d'essorage) jusqu'au réglage désiré. Vous pouvez choisir entre No Spin (Pas d'essorage), Low (Lent), Medium (Modéré), High (Rapide) ou Max. Les vitesses d'essorage les plus rapides ne sont pas offertes pour certains cycles, comme le cycle **Delicates** (Déliçats) ou **Active Wear** (Tenue active). Les vitesses d'essorage plus rapides enlèvent plus d'eau des vêtements, et aident à réduire le temps de séchage, mais augmentent également la possibilité de froisser certains tissus.

REMARQUE : Cette laveuse est équipée d'un système **dBt™ Dynamic Balancing Technology** (dBt™ Technologie d'équilibrage dynamique). Cette technologie de détection embarquée et brevetée procure un équilibrage en temps réel du cycle d'essorage pour chaque brassée, d'où une économie de temps et un lavage silencieux. Il devrait en résulter des durées de lavage plus constantes et une réduction générale du bruit et des vibrations. Si la laveuse devait générer des bruits, des vibrations ou des secousses excessives, il suffit de mettre la laveuse sur Pause, d'ouvrir la porte et de redistribuer la brassée manuellement avant de redémarrer le cycle.

E Options

SMARTDISPENSE (Distribution intelligente) (sur certains modèles)

Cette fonction ajoute automatiquement du détergent au lavage, éliminant le besoin de l'ajouter pour chaque brassée. Voir la section **SmartDispense** pour plus de détails.

MY SETTINGS (Favori) (sur certains modèles)

Pour sauvegarder un cycle favori, choisissez le réglage désiré pour le cycle de lavage, le degré de saleté, la vitesse d'essorage et la température de l'eau et appuyez sur le bouton **My Settings** (Favori) pendant 3 secondes. Un signal sonore se fait entendre pour indiquer que le cycle est sauvegardé.

Pour utiliser votre cycle personnalisé, appuyez sur le bouton **My Settings** (Favori) avant de laver une charge.

Pour changer le cycle sauvegardé, choisissez le réglage désiré et appuyez sur le bouton **My Settings** (Favori) pendant 3 secondes.

POWER STEAM (Vapeur puissante) (sur certains modèles)

L'option **Power Steam** ajoute de la vapeur dans la laveuse avant le début du cycle de lavage pour contribuer à assouplir les taches pour les cycles **NORMAL**, **WHITES**, **TOWELS**, **BULKY Bedding**, **SANITIZE+Allergen** et **POWER CLEAN**. Mode d'emploi :

1. Pressez la touche **Power** (Alimentation) pour « réveiller » la laveuse et sélectionner un cycle de lavage.
2. Pressez la touche **POWER STEAM** (Vapeur puissante) pour activer la vapeur.
3. Pressez la touche **Start/Pause** (Départ/Pause).

WiFi (peut être une touche partagée avec d'autres options)

Maintenez une pression sur la touche **WiFi**, **POWER STEAM/WiFi*** ou **Time Save/WiFi*** (selon le modèle) durant 3 secondes pour activer. Voyez la section sur la **Wi-Fi Connect** pour savoir comment établir une connexion Wi-Fi.

Comment démarrer

E Options - Suite

Delay Wash (Laver retardée)/Remote Start (Démarrage à distance)

Vous pouvez différer le démarrage d'un cycle de lavage de jusqu'à 24 heures ou démarrer la laveuse à distance en utilisant la fonction **Delay Wash/Remote Start** (Lavage différé/Démarrage différé). Appuyez sur cette touche pour augmenter par unités de 1 heure ou maintenez-la enfoncée pour faire défiler la durée du délai précédant le démarrage du cycle de lavage. Si vous avez connecté votre laveuse au réseau Wi-Fi, la première sélection, « APP », peut être choisie pour activer le démarrage à distance de votre laveuse depuis l'application GE Appliance Smartphone. Ou, si vous réglez un délai en nombre d'heures, l'appareil exécutera un décompte et démarrera automatiquement après cette période. Une fois le réglage du **Delay Wash** (Lavage différé) terminé, appuyez sur la touche Start pour activer cette fonction. Pour annuler cette option, éteignez puis rallumez simplement les commandes.

NOTE : Si vous oubliez de fermer complètement la porte, un signal sonore de rappel se fait entendre pour vous rappeler de le faire.

NOTE : Si vous ouvrez la porte pendant que la machine compte à rebours le temps qui reste avant la mise en marche, la machine fait une pause. Vous devez refermer la porte et appuyer à nouveau sur le bouton **Start** (Départ) pour recommencer le compte à rebours.

Time Saver (Sauve-temps) (sur certains modèles)

Cette option réduit le temps total du cycle en optimisant le lavage, le rinçage et le culbute et / ou en augmentant doucement la température de lavage pour obtenir des vêtements nettoyés plus rapidement. Cette option est disponible dans les cycles **NORMAL** (Normal), **WHITES** (Blancs), **TOWELS** (Serviettes), **DELICATES** (Déliçats), **BULKY Bedding** (Articles volumineux) et **ACTIVE WEAR** (Tenue active). Le temps de lavage total variera en fonction du cycle choisi et les options sélectionnées.

Utilisation :

1. Mettez la laveuse en marche et sélectionnez le cycle de lavage offrant l'option **Time Saver** (Sauve-temps).
2. Appuyez sur le bouton **Time Saver** (Sauve-temps) pour réduire la durée générale du lavage.
3. Appuyez sur le bouton **Start/Pause** (Mise en marche/Pause).

More Water (Plus d'eau) (sur certains modèles)

Cette option ajoute environ 3 gallons (11 L) aux étapes de lavage et de rinçage du cycle. Si vous sélectionnez l'option avant le démarrage du cycle, l'eau sera ajoutée à partir du début du cycle et plus tard au rinçage. Si vous sélectionnez l'option pendant l'étape du lavage, plus d'eau sera ajoutée à partir de ce moment et plus tard au rinçage. D'une façon similaire, si l'option **More Water** (Plus d'eau) est sélectionnée une fois l'étape du lavage terminée, la laveuse ajoutera plus d'eau pour le rinçage seulement. Si le lavage et le rinçage sont terminés, la touche **More Water** (Plus d'eau) ne sera plus active.

ULTRAFRESH VENT System with ODORBLOCK™ (Ventilation Ultrafresh Système avec ODORBLOCK™)

Le système ULTRAFRESH VENT avec OdorBlock a été conçu pour éliminer l'excès d'humidité dans la laveuse suivant le cycle de lavage afin de prévenir le développement des odeurs. Cette laveuse a été conçue pour évacuer l'eau plus efficacement à la fin du cycle. Après le cycle de lavage, l'utilisateur peut alors choisir de laisser la porte ouverte ou sélectionner la fonction ULTRAFRESH VENT pour contribuer au séchage du joint d'étanchéité et d'autres zones de la laveuse. Le système OdorBlock comporte plusieurs composants fabriqués au moyen de la technologie antimicrobienne Microban®.* Microban est une technologie antimicrobienne sûre et efficace qui accompagnera votre laveuse durant toute sa durée de vie. Pour plus de renseignements, veuillez visiter www.microban.com/geappliances.

La fonction ULTRAFRESH VENT est disponible après le cycle de lavage et le retrait de la brassée propre. Une fois la porte fermée, une mélodie jouera pour vous aviser et le voyant de la touche **ULTRAFRESH VENT** clignotera. ULTRAFRESH VENT démarrera dès la touche appuyée.

Pour sélectionner ULTRAFRESH VENT à tout autre moment, mettez la laveuse sous tension (ON), assurez-vous qu'aucun cycle n'est actif, retirez tout vêtement du panier, puis pressez et relâchez la touche **ULTRAFRESH VENT** de façon à entendre la mélodie d'avis et voir le voyant de la touche **ULTRAFRESH VENT** clignoter. Ensuite, appuyez de nouveau sur la touche **ULTRAFRESH VENT** pour démarrer la fonction.



Durant le fonctionnement de la fonction ULTRAFRESH VENT, la porte demeurera fermée et la laveuse va essorer par intermittence à basse vitesse durant jusqu'à 8 heures.

Si des vêtements sont détectés dans le panier pendant la ventilation ULTRAFRESH, la laveuse va plutôt passer en **TUMBLE CARE** (culbutage antifroissage) ou **1 STEP WASH + DRY** (lavage et séchage en 1 étape), selon la disponibilité des options sur votre modèle.

On peut annuler la fonction ULTRAFRESH VENT à tout moment de trois façons : presser la touche **POWER** (Alimentation), tourner le cadran des cycles ou presser la touche **ULTRAFRESH VENT**.

*Microban® est une marque déposée de Microban International, Ltd.

Comment démarrer

E Options - Suite

1 STEP WASH + DRY (Lavage + séchage en 1 étape) (sur certains modèles)

Cette option est disponible sur tous les cycles sauf **Self Clean** (Auto nettoyant).

La fonction **1 STEP WASH + DRY** est destinée aux petites brassées seulement. Utilisez-la lorsque les vêtements doivent être lavés, séchés et prêts à porter ou rangés le lendemain matin. Cette fonction culbute les vêtements et introduit un écoulement d'air constant dans la cuve de la laveuse à la fin des cycles de lavage sélectionnés. Même si l'étape du séchage est réglée pour 8 heures, les vêtements peuvent être retirés à tout moment en appuyant sur **Pause** ou **Power** pour annuler le cycle.

Tumble Care (Nettoyage par culbute) (sur certains modèles)

Les vêtements sont culbutés périodiquement pendant près de 8 heures après la fin du cycle de lavage pour assouplir les plis et faux-plies si vous ne pouvez pas mettre immédiatement les vêtements dans la sècheuse.

À la fin du cycle, l'afficheur indiquera « END » (fin du cycle) puis le cycle de **Tumble Care** (Nettoyage par culbute) commencera après 10 minutes. Vous pouvez arrêter le culbutage en appuyant sur le bouton **Power** (mise en marche) à n'importe quel moment.

PreWash (Pré-lavage) (sur certains modèles)

Prélavage est un lavage supplémentaire avant le lavage principal. Utilisez-le pour les vêtements très sales ou pour les vêtements dont l'étiquette recommande un prélavage avant le lavage. Assurez-vous d'ajouter du détergent liquide ou en poudre à rendement élevé ou le bon additif de lavage au distributeur de prélavage. Les laveuses dotées de la **SmartDispense** (distribution intelligente) vont automatiquement ajouter la quantité appropriée de détergent pour le prélavage en fonction de la taille de la brassée.

PreWash (Pré-lavage) doit être sélectionné avant d'appuyer sur **Start** (Marche).

La fonction de **PreWash** (Pré-lavage) déclenche les étapes suivantes : remplissage de la laveuse (ajout du détergent de prélavage), culbutage des vêtements, évacuation et essorage. Ensuite, la laveuse exécute le cycle de lavage sélectionné.

NOTE : Pour certains cycles spéciaux, le prélavage est présélectionné par défaut. Vous pouvez modifier cette sélection en tout temps.

AutoSoak (Trempeage automatique) (sur certains modèles)

Pour tremper vos vêtements avant le cycle de lavage. Cette option débute par un bref culbutage suivi d'un trempage d'une durée déterminée dans une solution d'eau et de détergent. Une fois l'opération terminée, le cycle se poursuivra automatiquement. Il faut sélectionner **AutoSoak** avant de presser la touche **Start**. Le **AutoSoak** ajoute 15 minutes, 30 minutes, 1 heure ou 2 heures supplémentaires au temps de lavage total. Un détergent haute efficacité dans le compartiment principal du distributeur est utilisé durant l'étape **AutoSoak** et le cycle de lavage principal.

Extra Rinse (Rinçage supplémentaire)

Cette option procure un rinçage supplémentaire durant un cycle afin d'éliminer la saleté excédentaire et le détergent des brassées sales. Appuyez sur le bouton **Extra Rinse** (Rinçage supplémentaire) pour le sélectionner.

REMARQUE : Sur le cycle **Rinse & Spin** (Rinçage et Essorage), un cycle vidange et essorage peut être obtenu en appuyant sur le bouton **Extra Rinse** (Rinçage supplémentaire) jusqu'à ce que le LED ne soit pas éclairé.

Light (Voyant de Panier) (sur certains modèles)

Le voyant de panier s'allume et reste allumé pendant 5 minutes lorsque la porte s'ouvre, que le bouton **Start/Pause** (Départ/Pause) est appuyé ou en appuyant sur le bouton de **Light** (Voyant) appuyé pendant.

Le voyant de panier peut être éteint en appuyant sur le bouton de **Light** (Voyant) et en le maintenant appuyé pendant.

Sound (volume sonore)

Pour modifier l'intensité sonore du signal de fin de cycle et le volume du pavé tactile, appuyez sur ce bouton autant de fois nécessaires afin d'atteindre l'intensité sonore désirée. Il y a quatre niveaux d'intensité incluant la sourdine.

Control Lock (Light-Control Lock pad)/Verrouillage de contrôle (Voyant-Verrouillage de contrôle bouton) (selon modèle)

Vous pouvez verrouiller les contrôles pour empêcher tout choix de cycle, ou vous pouvez verrouiller les contrôles après avoir commencé un cycle.

Les enfants ne peuvent pas mettre accidentellement en marche la laveuse en appuyant sur des touches quand vous choisissez cette option.

Pour verrouiller/déverrouiller les contrôles de la laveuse, appuyez sur le bouton **Control Lock/(Light-Control Lock pad)/Verrouillage de contrôle (Voyant-Verrouillage de contrôle bouton)** et tenez-la appuyée pendant 3 secondes. Un son retentit pour indiquer l'état verrouillé/déverrouillé. L'icône de contrôle de verrouillage de l'affichage s'allume quand il est branché.

NOTE : Vous pouvez encore utiliser le bouton **Power** (Alimentation) quand la machine est verrouillée.

Comment démarrer

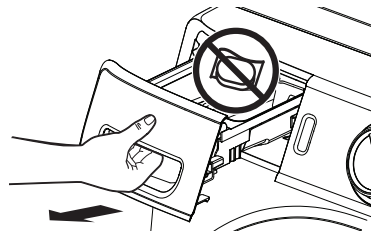
Tiroir distributeur

Ouvrez lentement le tiroir distributeur en le tirant jusqu'à son arrêt final. Après avoir ajouté vos produits de lavage, fermez lentement le tiroir distributeur. Si vous fermez le tiroir trop vite, vous risquez de distribuer l'eau de Javel, l'adoucissant ou le détergent trop tôt.

Vous pouvez voir de l'eau dans les compartiments d'eau de détergent, javel et d'adoucissant à la fin du cycle. C'est occasionné par l'action de vidange/siphonnage et cela fait partie du fonctionnement normal de la laveuse.

Ne mettez PAS de sachets de détergent dans le tiroir distributeur.

REMARQUE : Utilisez seulement des détergents liquides ou en poudre haute efficacité dans le tiroir distributeur. Les sachets de détergents doivent être ajoutés directement dans la cuve de lavage, conformément aux directives du fabricant.



Utilisez seulement le détergent à haute efficacité HE.



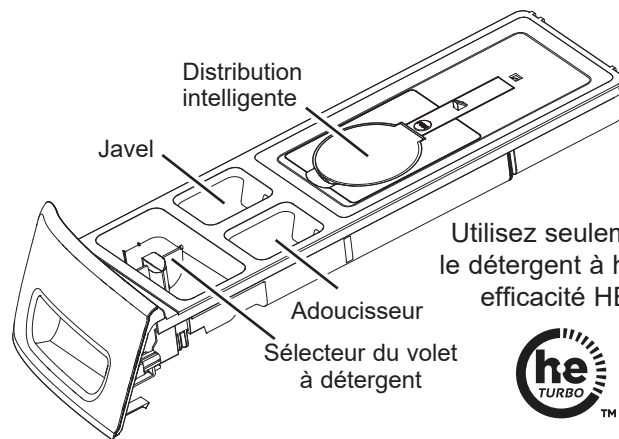
SmartDispense™ (certains modèles)

Cette fonction ajoute automatiquement du détergent au lavage, éliminant le besoin de l'ajouter pour chaque brassée.

La sélection de la quantité de détergent sur le panneau de commande s'affiche à **AUTO** (automatique) par défaut lors de la première mise sous tension de la laveuse. Lorsque **AUTO** est sélectionné, la quantité de détergent nécessaire pour chaque brassée est automatiquement déterminée en fonction de la charge détectée par l'appareil.

Avec **AUTO**, la laveuse va distribuer environ 1,5 oz (44 ml) de détergent pour une brassée normale de 8 lb (3,6 kg). Pour les autres brassées, la quantité sera ajustée en proportion de la taille de la brassée ou du type de vêtement. Si vous sélectionnez **LESS** (Moins), la quantité de détergent sera réduite de 40 %. Ceci peut être souhaitable avec des détergents à haute concentration ou si l'eau domestique est très douce. Pour les brassées très sales, on peut souhaiter de choisir **MORE** (Plus) pour ajouter 40 % plus de détergent que ne le procure **AUTO**.

REMARQUE : La **SmartDispense** (Distribution intelligente) n'est pas disponible pour tous les cycles. Si le voyant ne s'allume pas et qu'une pression sur **SMART DISPENSE** provoque l'émission de bips, alors la fonction Smart Dispense n'est pas permise pour le cycle choisi. Pour ces cycles, le détergent devra être ajouté directement dans son compartiment.



Utilisez seulement le détergent à haute efficacité HE.



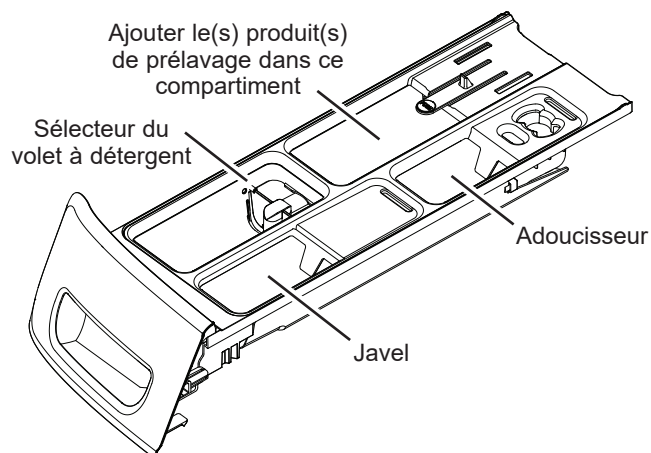
Si l'on désire sélectionner manuellement la quantité de détergent à ajouter dans une brassée, on peut presser le bouton **SMART DISPENSE** (Distribution intelligente) sur le panneau de commande pour sélectionner le détergent pour une **Small** (Petite) ou **Large** (Grande) brassée. L'option Small procure moins de détergent que la moyenne et Large, davantage que la moyenne.

REMARQUE : Si l'on souhaite ajouter le détergent manuellement à la brassée, il faudra le mettre directement dans le panier et désactiver la distribution intelligente éteindre pour cette brassée. On peut désactiver la fonction de **SMART DISPENSE** (Distribution intelligente) en pressant le bouton **Détergent Dispense** jusqu'à sélectionner éteindre.

Compartiment de pré lavage (certains modèles)

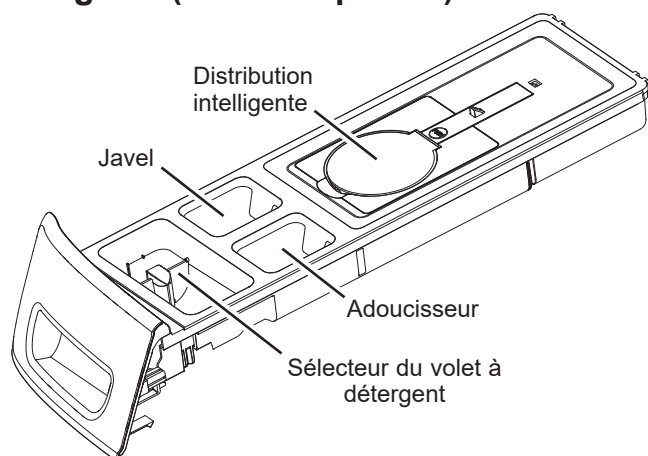
N'utilisez le compartiment de pré lavage que si vous choisissez le cycle de **PreWash** (Pré lavage) ou **AutoSoak** (Pré trempage) pour des vêtements très sales. Ajoutez le détergent mesuré ou l'additif de pré lavage au compartiment de pré lavage situé à l'arrière gauche du tiroir distributeur.

- Le détergent ou l'additif de pré lavage est évacué du distributeur pendant le cycle de **PreWash** (Pré lavage) ou **AutoSoak** (Pré trempage) (si vous l'avez choisi).
- Vous devez ajuster la quantité de détergent à la température de l'eau, à la dureté de l'eau, à la taille de la charge et à son niveau de saleté. Évitez d'utiliser trop de détergent dans votre laveuse car cela peut provoquer des traces de détergent et de mousse sur les vêtements.

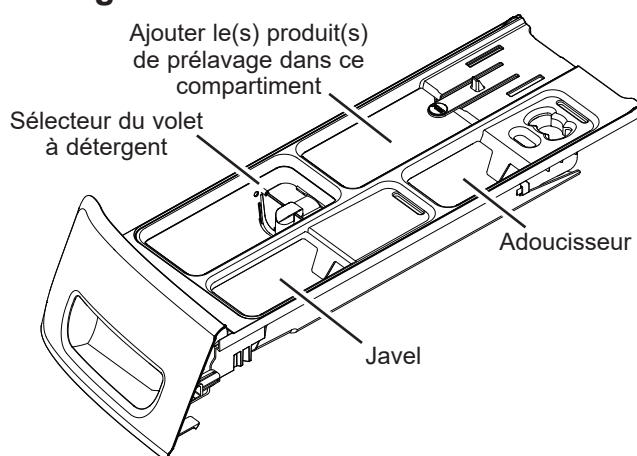


Comment démarrer

Sur les modèles avec distribution intelligente (Smart Dispenser) :



Sur les modèles sans distribution intelligente :



Compartiment de détergent

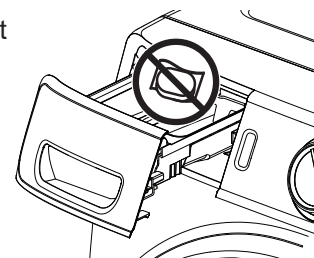
Utilisez seulement du détergent haute efficacité dans cette laveuse. **NE PAS** remplir de ce détergent au-delà de la ligne **MAX**. Utilisez la quantité recommandée par le fabricant du détergent.

- **Détergent en poudre** – Levez le volet pour le détergent en poudre. Cela est nécessaire pour dissoudre et rincer le détergent correctement. Respectez les instructions du fabricant de détergent pour la mesure de la quantité de poudre.
- **Détergent liquide** – Maintenez le volet baissé pour le détergent liquide. Cela retient le détergent liquide jusqu'à son rinçage automatique au début du cycle de lavage. Respectez les instructions du fabricant de détergent pour la mesure de la quantité de liquide.


Vous devrez peut-être ajuster la quantité de détergent en fonction de la température et de la dureté de l'eau ainsi que du volume et du degré de saleté de la charge. Évitez d'utiliser trop de détergent dans votre laveuse car cela causera un débordement savonneux, laissera des traces de détergent et de mousse sur les vêtements, et allongera la durée du lavage.

Ne versez pas de détergent grumeleux dans le distributeur, au risque de causer une fuite.

Ne mettez PAS de sachets de détergent dans le tiroir distributeur.



Compartiment d'eau de Javel liquide

Si vous le désirez, mesurez le montant recommandé d'eau de Javel, ne dépassant pas 1/3 de tasse (80 ml) et versez-le dans le compartiment étiqueté LIQUID BLEACH (Eau de Javel) et portant le symbole .

Il est recommandé d'employer un javellisant à haute efficacité (HE) pour cette laveuse à chargement frontal.

Ne dépassez jamais la ligne de remplissage maximum. Si vous mettez trop d'eau de Javel, cela risque de provoquer une distribution prématurée de l'eau de Javel, qui peut occasionner des dommages à vos vêtements.

REMARQUE : N'utilisez pas de javellisant en poudre ni de détersifs ou d'additifs pour lessive en sachets dans le distributeur.

Compartiment d'adoucissant

Si vous le désirez, versez le montant recommandé d'adoucissant liquide dans le compartiment étiqueté FABRIC SOFTENER (Adoucissant).

N'utilisez que de l'adoucissant liquide dans le distributeur.

Diluez dans de l'eau jusqu'à la ligne maximum de remplissage.

Ne dépassez jamais la ligne maximum de remplissage. Si vous mettez trop d'adoucissant, cela risque de provoquer une distribution prématurée d'adoucissant, qui peut tacher vos vêtements.

REMARQUE : Ne mettez jamais d'adoucissant directement dans la charge à laver.

Comment démarrer

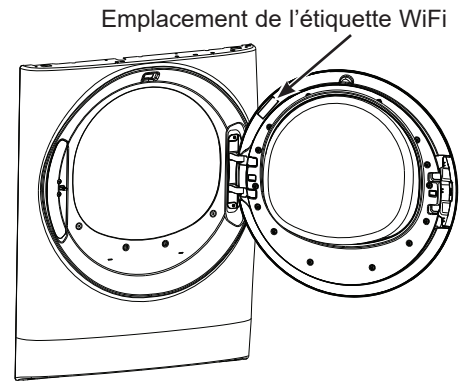
WiFi Connect (Connectivité WiFi) (Clients aux États-Unis seulement)

Votre laveuse est soit dotée de la connectivité **GE Appliances WiFi Connect**.

Visitez geappliances.com/connect et entrez votre numéro de modèle pour voir les étapes de connexion se rapportant à votre électroménager.

Veillez visiter GEAppliances.com/connect pour en apprendre davantage sur les fonctions de connectivité des électroménagers et les applications compatibles avec votre téléphone intelligent.

Connectivité WiFi : Pour de l'assistance concernant l'électroménager ou la connectivité en réseau **ConnectPlus**, veuillez communiquer avec GE Appliances au **800.GE.CARES**.



Chargement

Respectez toujours l'étiquette d'entretien du fabricant lors de la lessive.

Tri du linge

Triez le linge par couleur (blancs, clairs, couleurs), degré de saleté, type de tissu (coton robuste, tissu à entretien facile, tissu délicat) et en fonction de la charpie qu'il produit (tissu éponge, tissu chenille) ou qu'il ramasse (velvétine, velours côtelé). Lavez les articles qui génèrent de la charpie, tels que les serviettes de coton et les bas, séparément des articles qui la collectent, par exemple les vêtements synthétiques et les pantalons habillés.

⚠ AVERTISSEMENT - Risque d'incendie

NE lavez **PAS** les tissus contaminés avec des liquides inflammables ou des solvants de nettoyage.

Aucune laveuse ne peut éliminer l'huile totalement.

NE lavez ou séchez **RIEN** qui a été trempé ou éclaboussé avec tout type d'huile (y compris les huiles de cuisson).

NE mettez **PAS** à la main dans la machine à laver jusqu'à ce que toutes les pièces mobiles soient arrêtées.

Cela peut entraîner la mort, une explosion, un incendie ou une amputation.

Chargement de la laveuse

Vous pouvez charger complètement le tambour de lavage en ajoutant les articles lachement.

Pour ajouter des articles après avoir mis en marche la laveuse, appuyez sur **Start/Pause** (Mise en marche/ Pause) et attendez que la porte soit déverrouillée. La laveuse peut prendre jusqu'à 30 secondes pour déverrouiller sa porte après que vous ayez appuyé sur **Start/Pause** (Mise en marche/ Pause), selon les conditions. N'essayez pas de forcer la porte pour l'ouvrir quand elle est verrouillée. Quand la porte est déverrouillée, ouvrez doucement. Ajoutez les articles, refermez la porte et appuyez sur **Start/Pause** (Mise en marche/ Pause) pour remettre en marche.

Exemples de brassées

VÊTEMENTS DE TRAVAIL	LINGE DE MAISON	BRASSÉES MIXTES	TISSUS DÉLICATS*	LAVAGES RAPIDES (2 à 3 vêtements)
4 Jeans 5 chemises de travail 3 pantalons de travail	2 draps de bain 10 serviettes de bain/ 12 débarbouillettes 7 essuie-mains/ 2 tapi de baignoires en tissu éponge OU 2 draps plat format grand lit 2 draps-housse format grand lit 4 taies d'oreiller	4 taies d'oreiller 2 essuies-main 2 draps plats 2 draps-housse 2 serviettes de bain/ 4 débarbouillettes OU 6 chemises (homme ou femme) 4 pantalons (kakis ou tissus croisés) 5 tee-shirts 7 boxeurs 4 caleçons OU 6 tee-shirts 4 pantalons molletonnés 4 pulls molletonnés 2 kangourous 7 paires de bas	7 soutiens-gorge 7 culottes 3 slips 2 camisoles 4 chemises de nuit *On recommande de placer les petits articles dans un sac en filet de nylon.	2 chemises sport 1 pantalon sport OU 3 uniformes de soccer

Entretien et nettoyage

Flexibles d'alimentation d'eau

Les Flexibles d'alimentation d'eau connectant la laveuse au robinet devraient être remplacés tous les cinq ans.

Extérieur

Essuyez immédiatement tout débordement. Essuyez avec un linge humide. Essuyez ou époussetez les renversements ou les produits de lavage avec un linge humide. Le panneau de commande et le fini de la laveuse peuvent être endommagés par certains détachants et produits de prétraitement. Appliquez ces produits à l'écart de la laveuse. Le tissu peut ensuite être lavé et séché normalement. Les dommages à votre laveuse causés par ces produits ne sont pas couverts par votre garantie. Ne frappez jamais la surface avec des objets aiguisés.

Intérieur

Séchez autour de l'ouverture de la porte de la laveuse, du joint flexible (y compris les tuyaux) et de la porte en verre. Ces surfaces doivent être toujours propres pour assurer que le joint soit bien imperméable. Vous noterez que ceci n'est pas requis aussi souvent si vous utilisez régulièrement le système ULTRAFRESH VENT. Il est recommandé de rincer la machine à laver au moins une fois par mois avec 1 tasse (250 ml) d'eau de javel (ou tout autre produit disponible dans le commerce fabriqué à cet effet, tel que le nettoyant pour laveuse Tide®) versée directement dans le panier sans vêtements et en utilisant le cycle **Self Clean** (Nettoyage de la Cuve).

Self Clean (Auto nettoyant)

Pour nettoyer l'intérieur de la laveuse, choisissez la fonction **SELF CLEAN** sur le panneau de commande. Le cycle **Self Clean** doit être exécuté au minimum une fois par mois ou environ tous les 30 à 40 cycles de lavage. Ce cycle utilise plus d'eau, en plus du javellisant, afin de contrôler le taux d'accumulation de la saleté et du détersif dans votre laveuse.

REMARQUE : Lisez les instructions ci-dessous en entier avant de démarrer le cycle de **Self Clean**.

1. Enlevez tout vêtement ou objet de la laveuse et assurez-vous que le panier de la laveuse est vide.
2. Ouvrez la porte de la laveuse et versez une tasse ou 250 ml de javellisant liquide ou autre nettoyant de laveuse dans le panier.
3. Fermez la porte et choisissez le cycle de **SELF CLEAN**. Appuyez sur la touche **Start**.
4. Lorsque le cycle **Self Clean** (Auto nettoyant), l'affichage indiquera la durée résiduelle estimée du cycle. Le cycle se terminera dans 90 minutes. N'interrompez pas le cycle.



5. Une fois le cycle terminé, la laveuse va démarrer une ventilation ULTRAFRESH de façon que la porte puisse rester fermée jusqu'à la prochaine utilisation de la laveuse.

Si pour une raison quelconque le cycle doit être interrompu, la porte ne s'ouvrira pas immédiatement. Forcer la porte à s'ouvrir à ce stade peut causer un débordement d'eau. La porte s'ouvrira lorsque l'eau aura été vidée à un niveau où elle ne débordera pas sur le plancher.

Vous pouvez interrompre le cycle de **Self Clean** (Auto nettoyant) en appuyant sur la touche **Start** (Mise en marche) entre les cycles. Une panne de courant peut également interrompre le cycle. Au retour du courant, le cycle de **Self Clean** (Auto nettoyant) reprend là où il s'était arrêté. Lorsque le cycle est interrompu, assurez-vous de reprendre un cycle complet de auto nettoyant avant d'utiliser la laveuse. Si vous appuyez sur la touche **Power** (Alimentation) durant le **Self Clean** (Auto nettoyant), le cycle sera perdu.

IMPORTANT:

- Effectuez le **Self Clean** (Auto nettoyant) avec 250 ml (1 tasse) de javellisant une fois par mois.
- Lorsque le cycle **Self Clean** (Auto nettoyant) est terminé, l'intérieur de votre laveuse peut avoir une odeur de javellisant.
- Il est recommandé de laver une **RINSE & SPIN** ou brassée de couleur pâle après le cycle de **Self Clean**.

Joint d'étanchéité de la porte

Ouvrez la porte de la laveuse. Avec les deux mains, poussez le joint d'étanchéité vers le bas. Enlevez tout objet étranger qui pourrait se trouver dans le joint. Assurez-vous que rien ne bloque les orifices derrière le joint.



Tout en maintenant le joint en position basse, inspectez-en l'intérieur en tirant vers le bas avec les doigts.



Enlevez tout objet étranger qui pourrait se trouver dans le joint. Assurez-vous que rien ne bloque les orifices derrière le joint.

Une fois le nettoyage terminé, retirez vos mains et les joints retourneront à ses positions normales.



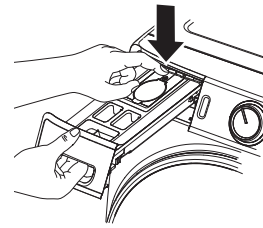
Entretien et nettoyage

Emplacement du tiroir distributeur

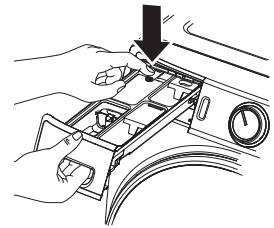
Le détergent et l'adoucisseur peuvent s'amasser dans le tiroir distributeur. Il faut enlever ces résidus une ou deux fois par mois.

- Enlevez le tiroir en le tirant d'abord jusqu'à ce qu'il s'arrête. Puis atteignez le arrière de la cavité du tiroir et appuyez fermement sur la patte de verrouillage, en tirant le tiroir.
- Rincez à le tiroir pour faire disparaître les traces de produits de lavage qui se sont accumulées.
- Pour nettoyer l'ouverture du tiroir, utilisez une petite brosse pour l'intérieur. Enlevez tout résidu en haut et en bas de l'intérieur.
- Remettez en place le tiroir de distribution.
- Pour réduire l'accumulation dans le tiroir de distribution :

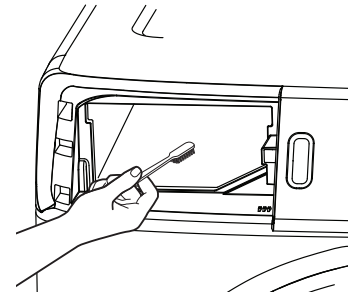
On models with a Smart Dispenser:



On models without a Smart Dispenser:



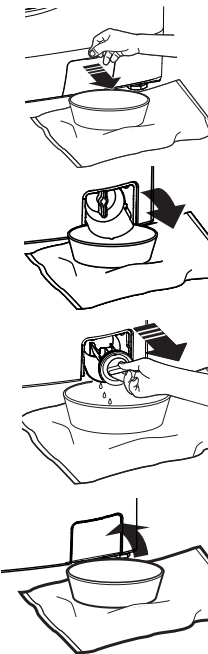
Utilisez seulement un détergent à haute efficacité HE.



Filtre de la pompe

En raison de la nature de la laveuse à chargement frontal, il est parfois possible pour les petits articles d'atteindre la pompe. La laveuse présente un filtre pour piéger les articles perdus pour qu'ils ne tombent pas dans le drain. Pour récupérer les articles perdus, nettoyez le filtre de la pompe.

1. Ouvrez la porte d'accès à l'aide d'un petit tournevis à tête plate ou pièce de monnaie.
2. Placez un plat ou un bac peu profond sous la porte d'accès à la pompe et des serviettes sur le sol devant la laveuse pour protéger le sol. Il est normal de recueillir environ une tasse d'eau lorsque le filtre est retiré.
3. Tirez sur le bec verseur
4. Tournez le filtre de la pompe dans le sens inverse des aiguilles d'une montre et retirez lentement le filtre, en contrôlant le débit de l'eau évacuée.
5. Retirez le filtre et nettoyez les débris du filtre.
6. Remettez le filtre en place et tournez dans le sens des aiguilles d'une montre. Serrez fermement.
7. Relevez le bec verseur
8. Fermez la porte d'accès en accrochant d'abord les languettes inférieures, puis en tournant la porte d'accès pour la fermer.



Déménagement et rangement

Demandez au technicien de service d'enlever l'eau de la pompe et des tuyaux de vidange. Ne rangez jamais la laveuse dans un endroit où elle est exposée au mauvais temps. Quand vous déménagez la laveuse, vous devez immobiliser le bassin de lavage en utilisant les boulons d'expédition enlevés pendant l'installation. Consultez les Instructions d'installation dans ce manuel. Si vous n'avez pas ces pièces, vous pouvez les commander en visitant notre site web à l'adresse Electromenagersge.ca/fr/produits/filtres-et-accessoires ou en appelant le numéro de telephone **800.661.1616**.

Longues vacances

Assurez-vous de fermer tous les robinets d'alimentation de l'eau. Vidangez toute l'eau des tuyaux si la température risque de descendre en dessous de celle de gel.

Instructions d'installation

Laveuse



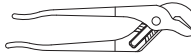

Des questions? Appelez le 800.561.3344 ou Visitez notre site Web à l'adresse : electromenagersge.ca

AVANT DE COMMENCER


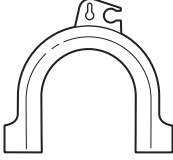


Lisez ces instructions entièrement et soigneusement.

- **IMPORTANT** — Conservez ces instructions pour l'inspecteur local.
- **IMPORTANT** — Observez tous les codes et les ordonnances en vigueur.
- **Note à l'installateur** — Assurez-vous de laisser ces instructions au consommateur.
- **Note au consommateur** — Conservez ces instructions à titre de référence.
- **Niveau de compétences** — L'installation de cet appareil électroménager nécessite des compétences mécaniques et électriques de base.
- **Temps d'installation** — 1-3 heures
- L'installateur est responsable de bien installer cet appareil.
- Toute panne de produit due à une mauvaise installation n'est pas couverte par la garantie.

OUTILS NÉCESSAIRES

- Niveau 
- Clé à molette 
- Pince multiprise à crémaillère 
- Tournevis cruciforme 

PIÈCES FOURNIES

- Couvercles de boulons d'expédition 
- Guide de tuyau 
- Barre de verrouillage (Conserver pour l'option Inversion de l'ouverture de la porte) 
- Attache de câble 

EMPLACEMENT DE VOTRE LAVEUSE

N'installez jamais votre laveuse :



1. Dans un endroit exposé à de l'eau qui coule ou aux conditions climatiques extérieures. La température ambiante ne doit jamais être inférieure à 15,6°C (60°F) pour que la laveuse fonctionne bien.
2. Dans un endroit où elle entre en contact avec des tentures ou des rideaux.
3. Sur un tapis. Le sol **DOIT** être une surface dure avec une pente maximum de 1,27 cm per 30 cm (1/2 pouce par pied). Pour vous assurer que la laveuse ne vibre pas ou ne bouge pas, il est possible que vous deviez renforcer le plancher.

REMARQUE : Si le plancher est en mauvais état, utilisez une feuille de contreplaqué traité de 3/4 po. fixé solidement à la couverture de plancher actuelle.

INSTALLATION EN MAISON MOBILE :

L'installation doit satisfaire les normes suivantes : Standard for Mobile Homes, ANSI A119.1 et National Mobile Home Construction and Safety Standards Act of 1974 (PL93-383).

PIÈCES REQUISES (vendues séparément ou inclus avec le modèle GFW510)

- Flexibles d'eau (2) 
- Rondelles en caoutchouc (2) et grillages pour crépine (2) 

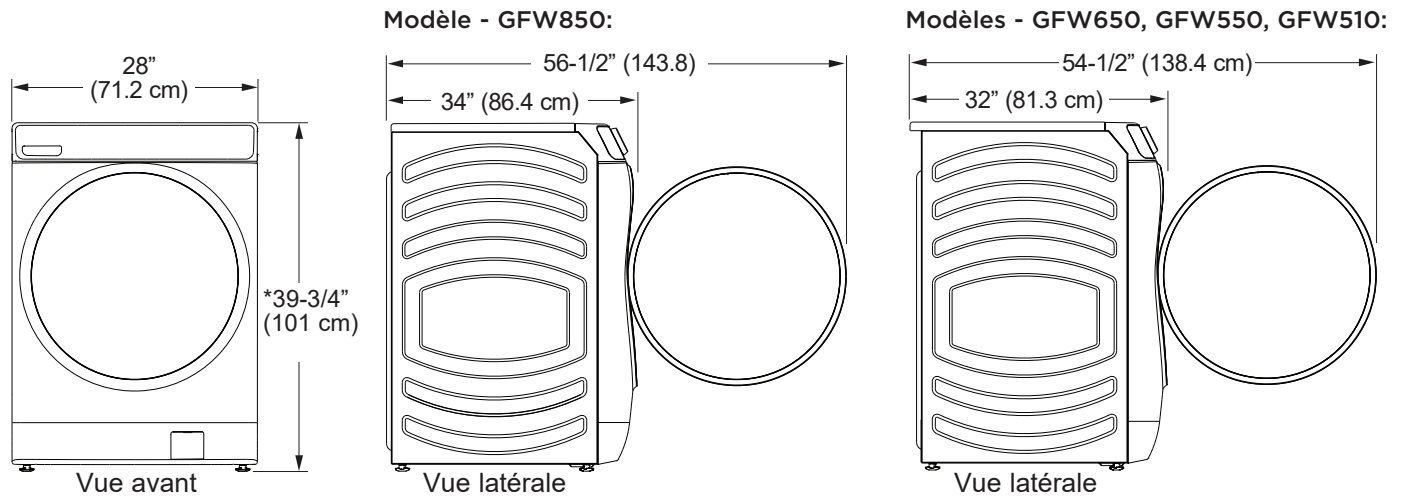
Pièces et accessoires GE Appliances

Consultez votre annuaire local pour un détaillant de pièces autorisé ou appelez-nous au 800.661.1616 ou Electromenagersge.ca/fr/produits/filtres-et-accessoires.

Numéro de pièce	Accessoire
WX14X10011	Tuyaux 6 pi pour laveuse en acier inoxydable avec coudes 90°; paquet de 2
WH1X2267	Rondelles en caoutchouc et grillages

Instructions d'installation

DIMENSIONS DE LA LAVEUSE



NOTE:

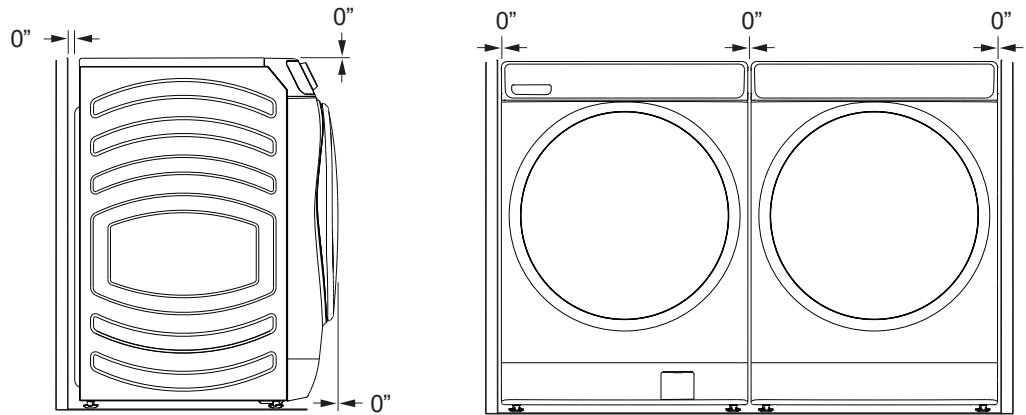
Avec pieds de nivellement rétractés : 39-3/4 (101 cm).

Avec pieds de nivellement complètement sortis : 40-5/8 (103.1 cm).

ESPACES LIBRES MINIMUM

Alcôve ou Placard

- Arrière = 0"*
- Côtés = 0"
- Haut = 0"
- Avant = 0"



• Il faut veiller à procurer le dégagement nécessaire à l'installation et aux interventions de service.

• Les portes du placard doivent être perforées ou bien ventilées et disposer d'au moins 387,1 cm² (60 pouces carrés) d'espace. Si le placard abrite une laveuse et une sècheuse, les portes doivent disposer de 774,2 cm² (120 pouces carrés) au minimum d'espace ouvert.

*Pour permettre un dégagement 0 po à l'arrière de la laveuse, vous devez utiliser des tuyaux avec coude 90°. Autrement, un dégagement supplémentaire peut être nécessaire pour éviter le frottement des tuyaux contre le mur arrière.

ACCESSORIES :

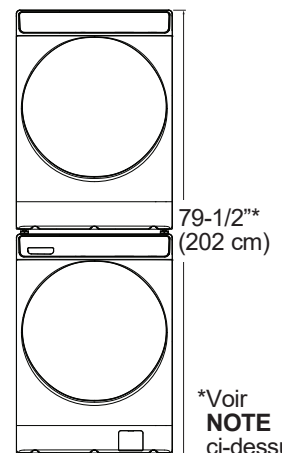
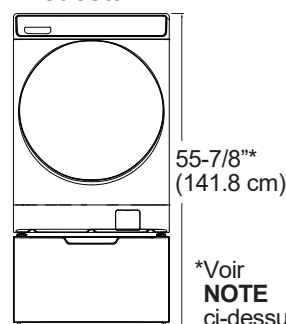
Commandez en ligne sur www.electromenagersge.ca 24 heures par jour ou en téléphonant au **800 561-3344** durant les heures normales d'affaire.

No. de pièce	Accessoire
GFP1528SNWW	Piédestal blanc
GFP1528PNSN	Piédestal Nickel satiné
GFP1528PNRS	Piédestal Saphir royal
GFP1528PNDG	Piédestal Gris diamant
GFA28KITN	Kit d'empilage d'une sècheuse sur une laveuse

Suivez les instructions d'installation incluses dans la trousse pour l'ensemble des dégagements et spécifications.

Superposé :

Piédestal :



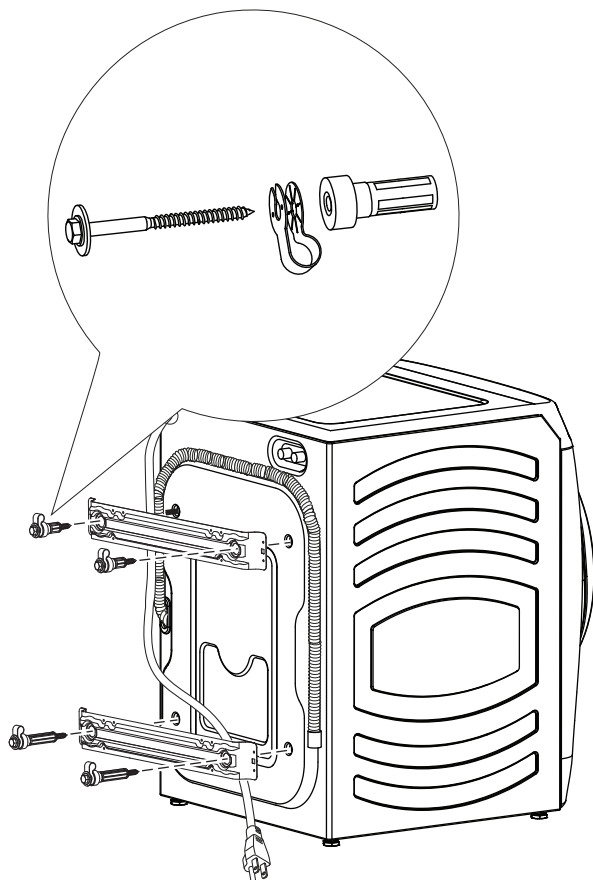
Instructions d'installation

DÉBALLAGE DE VOTRE LAVEUSE

⚠ AVERTISSEMENT Recyclez ou détruisez le carton et les sacs en matière plastique après avoir déballé votre laveuse. Mettez ces matériaux hors de la portée des enfants. Les enfants peuvent être tentés de les utiliser pour jouer. Les cartons recouverts de tapis, de couve-lit, ou de drap en matière plastique peuvent devenir des chambres hermétiquement closes risquant d'étouffer des enfants.

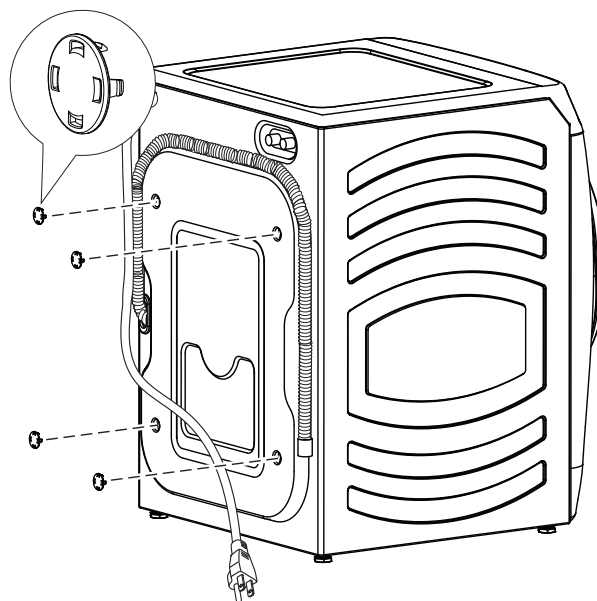
1. Coupez et enlevez toutes les sangles d'emballage.
2. Alors qu'elle est dans le carton, posez avec soin la laveuse sur son côté. **NE LAISSEZ JAMAIS** reposer la laveuse sur son avant ou son arrière.
3. Tournez vers le bas les rebords du bas—enlevez tout l'emballage de base, y compris la base en styrofoam.
4. Remettez soigneusement la laveuse debout et enlevez le carton.
5. Amenez soigneusement la laveuse à moins de 4 pieds (122 cm) de son emplacement final.
6. Enlevez les pièces suivantes de l'arrière de la laveuse :
4 boulons
4 bagues en matière plastique (compris les dispositifs de retenue du cordon d'alimentation et les anneaux en caoutchouc)
2 supports

NOTE : NE retirez PAS la vis ou le clip tenant le tuyau.



DÉBALLAGE DE VOTRE LAVEUSE (suite)

7. Insérez les capuchons des trous de boulons d'expédition dans les trous des boulons d'expédition.



NOTES :

- Si vous n'enlevez pas les cales d'expédition, vous risquez de déséquilibrer sérieusement la laveuse.
- **IMPORTANT :** Conservez tous les boulons pour un usage futur.

Si vous devez transporter la laveuse à une date future, vous devez remettre en place la quincaillerie de soutien d'emballage pour éviter tout dommage pendant le transport. Conservez la quincaillerie dans le sac en matière plastique fourni.

Instructions d'installation

EXIGENCES ÉLECTRIQUES

⚠ AVERTISSEMENT - Risque d'électrocution

Brancher à une prise de courant à 3 broches mise à la terre.

NE PAS retirer la broche de contact de mise à la terre.

N'UTILISEZ pas de rallonge électrique.

N'UTILISEZ pas d'adaptateur de prise.

Le non-respect de ces instructions pourrait entraîner un décès, un incendie ou un choc électrique.

CIRCUIT - Individuel, correctement polarisé et mis à la terre, disjoncteur ou fusible temporisé de 15 ou 20 ampères.

ALIMENTATION ÉLECTRIQUE – 2 fils plus la mise à la terre, 120 volts, monophasé, 60 Hz, courant alternatif.

PRISE ÉLECTRIQUE – Prise à 3 voies correctement mise à la terre située de façon à ce que le cordon soit accessible lorsque la laveuse est installée dans sa position définitive. Si la prise n'est qu'à 2 voies, il est de la responsabilité du propriétaire de demander à un électricien agréé de la remplacer par une prise à 3 voies correctement mise à la terre.

La laveuse doit être correctement mise à la terre conformément aux codes locaux de l'électricité, ou dans l'absence de codes locaux, à la dernière édition du Code Électrique National, ANSI/NFPA NO. 70 ou au Code Électrique Canadien CSA C22.1. Demandez à un électricien agréé de vérifier la connexion si vous n'êtes pas certain que la laveuse est correctement mise à la terre.

Assurez-vous au préalable qu'une mise à la terre existe bien et qu'elle fonctionne correctement.



INSTRUCTIONS DE MISE À LA TERRE

Cet appareil doit être mis à la terre. Dans l'éventualité d'un mal fonctionnement ou d'une panne, la mise à la terre réduit le risque de choc électrique en procurant un circuit de moindre résistance au courant électrique. Cet appareil comporte un cordon doté d'un conducteur de mise à la terre de l'appareillage et d'une fiche de mise à la terre. La fiche doit être branchée dans une prise compatible correctement installée et mise à la terre conformément à tous les codes et règlements en vigueur.

⚠ AVERTISSEMENT Une connexion incorrecte du conducteur de mise à la terre de l'appareillage peut poser un risque de choc électrique. Consultez un électricien ou réparateur qualifié si vous doutez que l'appareil soit correctement mis à la terre. **NE** modifiez **PAS** la fiche du cordon d'alimentation. Si elle ne s'insère pas dans la prise, demandez à un électricien agréé de poser une prise appropriée.

Si les codes locaux l'exigent, un fil de terre extérieur en cuivre de calibre 18 ou supérieur (non fourni) peut être ajouté. Fixer à l'enceinte de la laveuse à l'aide d'une vis à tôle #10-16 x 1/2 po (dans toute bonne quincaillerie) à l'arrière de la laveuse.

⚠ AVERTISSEMENT - Risque d'électrocution

Débranchez l'alimentation électrique avant la réparation. Remettez toutes les pièces et panneaux en place avant d'utiliser l'appareil.

L'omission de prendre ces précautions peut provoquer la mort ou l'électrocution.

⚠ AVERTISSEMENT - Risque d'électrocution

Certaines pièces internes sont intentionnellement non mises à la terre et peuvent présenter un risque de choc électrique lors d'un entretien.

Personnel de réparateur – NE PAS toucher aux composants suivants lorsque l'appareil est sous tension : robinet d'eau, pompe de vidange, NTC, élément chauffant, verrou de porte, carte d'onduleur, moteur et carte MC.

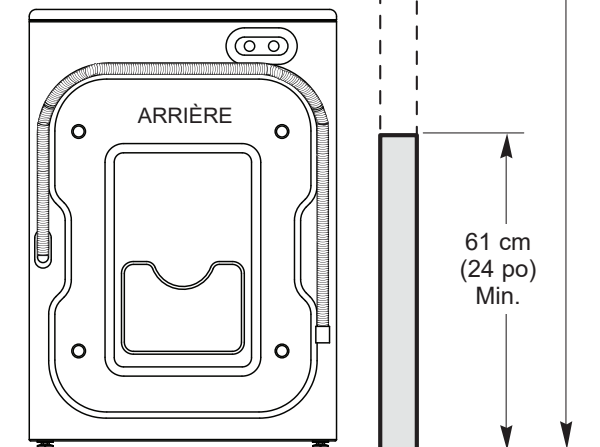
EXIGENCES D'ALIMENTATION D'EAU

Vous **DEVEZ** installer des robinets d'eau chaude et froide à moins de 42 pouces (107 cm) de l'entrée d'eau de votre laveuse. Les robinets **DOIVENT** être des robinets de jardin de 1,9 cm (3/4 po.), pour pouvoir brancher les tuyaux d'entrée. La pression de l'eau **DOIT** être entre 10 et 120 livres par pouce carré. Votre service d'eau peut vous indiquer votre pression d'eau. La température de l'eau chaude doit être réglée de manière à fournir de l'eau à une température de 48°C à 60°C (120°F à 140°F) pour obtenir un rendement adéquat de la commande de température automatique (ATC).

NOTE : L'utilisation d'un adoucisseur d'eau est recommandée pour réduire l'accumulation de calcaire à l'intérieur du générateur de vapeur si votre eau est très dure.

EXIGENCES DE VIDANGE

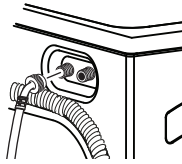
1. Une vidange capable d'éliminer 38 L (10 gallons) par minute.
2. Un diamètre minimum de tuyau ascendant de 3,18 cm (1 1/4 po.)
3. La hauteur du tuyau ascendant au dessus du plancher doit être la suivante :
Hauteur minimum : 61 cm (24 po.)
Hauteur maximum : 244 cm (96 po.)



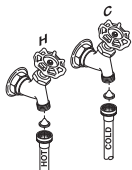
Instructions d'installation

INSTALLATION DE LA LAVEUSE

1. Faites couler un peu d'eau chaude et froide des robinets pour purger les tuyaux d'entrée d'eau et enlever les particules qui peuvent boucher les filtres des robinets et des tuyaux d'entrée d'eau.
2. Enlevez les tuyaux d'entrée d'eau du conditionnement.
3. (extrémité coudée 90°) Assurez-vous de la présence de la rondelle de caoutchouc aux extrémités des coudes de 90° des tuyaux d'eau chaude et froide (HOT et COLD). Réinstallez les rondelles de caoutchouc aux extrémités des tuyaux si ces dernières sont tombées lors du transport. Branchez soigneusement le tuyau d'entrée marqué HOT (chaud) à la sortie extérieure du robinet d'eau marquée H. Serrez à la main, puis serrez encore 2/3 de tour avec des pinces. Branchez soigneusement l'autre tuyau d'entrée à la sortie intérieure du robinet d'eau marquée C. Serrez à la main, puis serrez encore 2/3 de tour avec des pinces. **Ne faussez pas le filetage ou ne serrez pas trop ces branchements.**



4. Si les rondelles grillagées pour flexibles ne sont pas déjà insérées dans les flexibles d'admission d'eau, insérez-les dans les extrémités libres des flexibles d'eau CHAUDE et FROIDE en orientant la face bombée vers le robinet.



5. Branchez les extrémités du tuyau d'entrée aux robinets d'eau CHAUDE et FROIDE, en serrant légèrement à la main, puis en serrant encore 2/3 de tour avec des pinces. Ouvrez l'eau et vérifiez qu'il n'y ait pas de fuite.

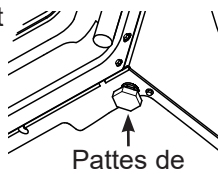
6. Amenez soigneusement la laveuse dans son emplacement final. Mettez gentille la laveuse à sa place, en la balançant. Il est important de ne pas endommager les pattes de nivellement en caoutchouc lorsque vous déplacez la laveuse vers sa position finale. Des pattes endommagées peuvent accroître les vibrations produites par la laveuse. La vaporisation de nettoyant à vitres sur le plancher peut faciliter le déplacement de la laveuse vers sa position finale.

NOTE : Afin de réduire les vibrations, assurez-vous que les quatre pattes de nivellement reposent fermement au plancher. Poussez et tirez sur l'arrière de la laveuse du côté droit, puis du côté gauche pour ajuster les pattes.

NOTE : N'essayez jamais de soulever la laveuse par sa porte ou par son tiroir distributeur.

NOTE : Si vous installez dans un bac de vidange, vous pouvez utiliser un 2 x 4 long de 24 po. pour bien mettre à l'horizontale la laveuse.

7. La laveuse dans son emplacement final, placez un niveau à bulle sur la laveuse (si elle est installée sous un comptoir, elle ne doit pas bouger). Ajustez les pattes de nivellement avant vers le haut ou vers le bas pour vous assurer qu'elle ne bouge pas. Tournez les contre-écrous de chaque patte vers la base de la laveuse et serrez avec une clé anglaise.

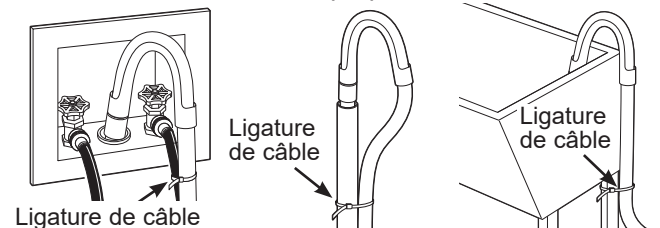


INSTALLATION DE LA LAVEUSE

NOTE : Conservez les extensions des pattes à un minimum pour empêcher les vibrations. Plus les pattes sont tirés, et plus la laveuse vibre.

Si le plancher n'est pas bien horizontal ou est endommagé, il est possible que vous deviez allonger les pattes de nivellement arrière.

8. Attachez le guide de tuyau en U à l'extrémité du tuyau de vidange. Placez le tuyau dans une cuve à lessive ou un tuyau vertical et liez-le avec la ligature de câble fournie dans le paquet.



NOTE : Placer le tuyau de vidange trop en bas du conduit d'évacuation peut causer un siphonage. Il ne doit pas y avoir plus de 18 cm de tuyau dans le conduit d'évacuation. Il doit y avoir un espace d'air autour du tuyau de vidange. Un ajustement trop serré peut causer un siphonage.

9. Branchez le cordon d'alimentation dans une prise mise à la terre.
NOTE : Vérifiez que le courant est coupé au niveau du disjoncteur ou de la boîte à fusibles avant de brancher le cordon d'alimentation à une prise.
10. Branchez le courant au niveau du disjoncteur ou de la boîte à fusibles.
11. Lisez le reste de ce Manuel du propriétaire. Il contient des renseignements précieux et utiles qui vous feront économiser du temps et de l'argent.
12. **Avant de mettre en marche la laveuse, vérifiez que tout est en ordre :**
 - L'alimentation principale de courant est branchée.
 - La laveuse est branchée à la prise.
 - Les robinets d'eau sont ouverts.
 - L'appareil est bien horizontal et les quatre pattes de nivellement reposent fermement sur le plancher.
 - La quincaillerie de soutien pour l'expédition est enlevée et mise de côté.
 - Le tuyau de vidange est bien attaché.
 - Le robinet, les rondelles et le tuyau de vidange ne fuient pas.
13. Faites marcher la laveuse pendant un cycle complet. Vérifiez qu'il n'y a aucune fuite d'eau et qu'elle fonctionne bien.
14. Si votre laveuse ne fonctionne pas, nous vous prions de consulter la section Avant d'appeler un réparateur, avant d'appeler le service.
15. Rangez ces instructions dans un emplacement proche de la laveuse pour référence future.

PIÈCES DE RECHANGE

Si vous avez besoin de pièces de rechange pour votre laveuse, vous pouvez les commander au Canada en visitant notre site web www.electromenagersge.ca ou en appelant le 800.561.3344.

Instructions d'installation

INVERSION DE L'OUVERTURE DE LA PORTE (Optionnel)

⚠ AVERTISSEMENT

Débranchez l'appareil ou fermez son disjoncteur avant de procéder à l'entretien. Appuyer sur le bouton d'alimentation **Power** de l'appareil **NE** le déconnecte **PAS** de l'alimentation.

⚠ AVERTISSEMENT - Risque d'électrocution

Certaines pièces internes sont intentionnellement non mises à la terre et peuvent présenter un risque de choc électrique lors d'un entretien.

Personnel de réparateur – NE PAS toucher aux composants suivants lorsque l'appareil est sous tension : robinet d'eau, pompe de vidange, NTC, élément chauffant, verrou de porte, carte d'onduleur, moteur et carte MC.

REMARQUES IMPORTANTES

- Manipulez les pièces avec soin afin d'éviter d'abîmer la peinture.
- Prévoyez une surface non abrasive pour les portes.
- Posez les vis à côté de leurs pièces respectives afin d'éviter de les utiliser aux mauvais endroits.
- Après avoir commencé, ne déplacez pas la sècheuse avant que l'inversion de l'ouverture de la porte n'ait été effectuée.
- Ces instructions permettent de transférer les charnières le côté gauche vers du côté droit. Si vous souhaitez les réinstaller du côté droit, veuillez suivre ces mêmes instructions et inversez toutes les références aux termes gauche et droite.

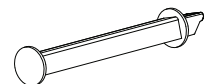
OUTIL NÉCESSAIRE

- Tournevis cruciforme



PIÈCE FOURNIE

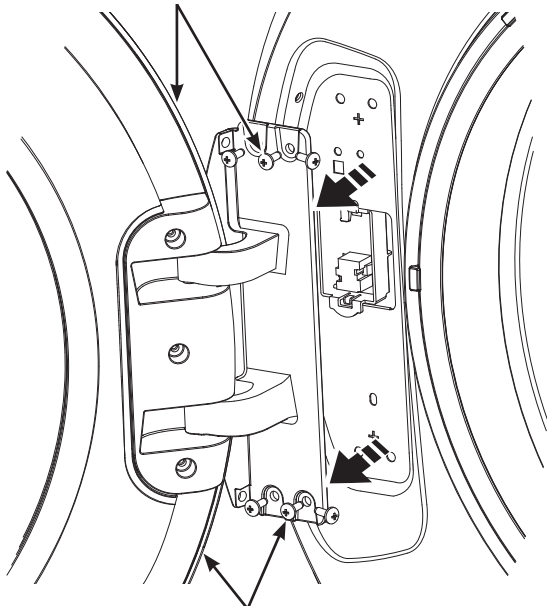
- Barre de verrouillage



1 RETIREZ L'ASSEMBLAGE DE PORTE

- Ouvrez la porte de la laveuse.
- Tout en supportant la porte, retirez les 6 vis de la charnière sur la face de la laveuse.
- Soulevez l'assemblage de porte pour le retirer de la face de la laveuse et la mettre de côté sur une surface protectrice.

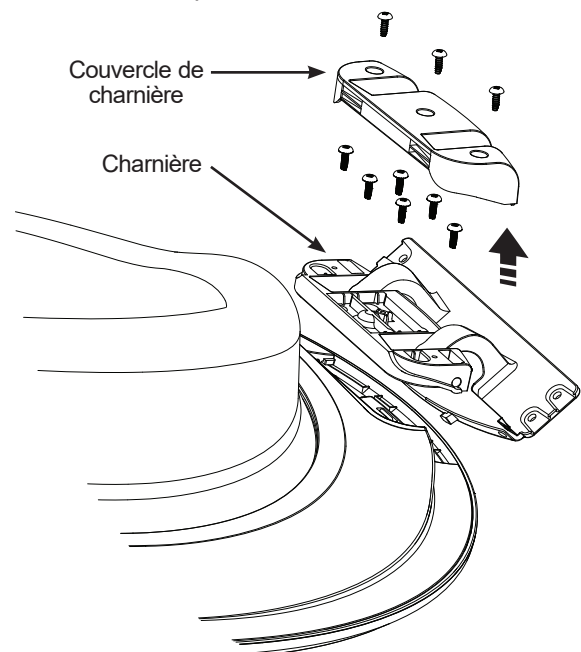
Charnière et assemblage de porte



Tenir la porte et retirer les vis de charnière de la laveuse

2 RETIREZ LA CHARNIÈRE DE PORTE

- Retirez les 3 vis du couvercle de charnière puis retirez le couvercle.
- Retirez les 6 vis de la charnière puis retirez la charnière de la porte.

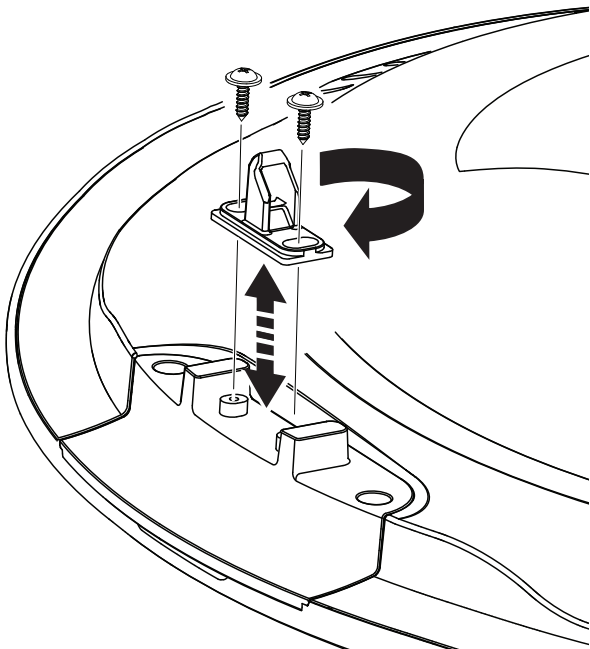


Instructions d'installation

INVERSION DE L'OUVERTURE DE LA PORTE (Optionnel)

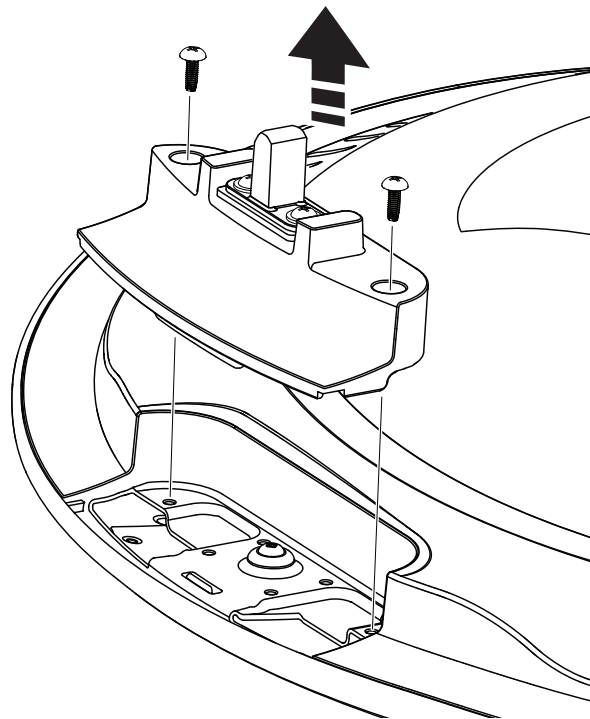
3 RETIREZ, INVERSEZ ET REPLACEZ LA GÂCHE DE PORTE

- Retirez les 2 vis de la gâche. Faites pivoter la gâche de 180° et réinstallez-la avec ses vis.

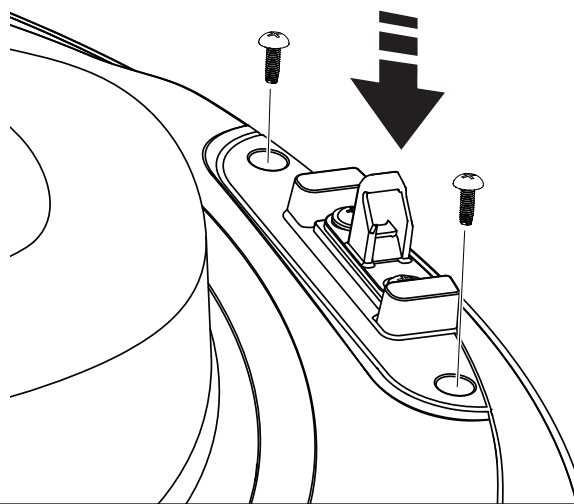


4 RETIREZ L'ASSEMBLAGE DE GÂCHE DE PORTE ET REPLACEZ-LA SUR LE CÔTÉ OPPOSÉ

- Retirez les 2 vis de l'assemblage de gâche et retirez l'assemblage en le tirant vers le centre, le poussant vers le haut puis l'extérieur.



- Faites pivoter l'assemblage de gâche et replacez-le sur le côté opposé avec ses vis.

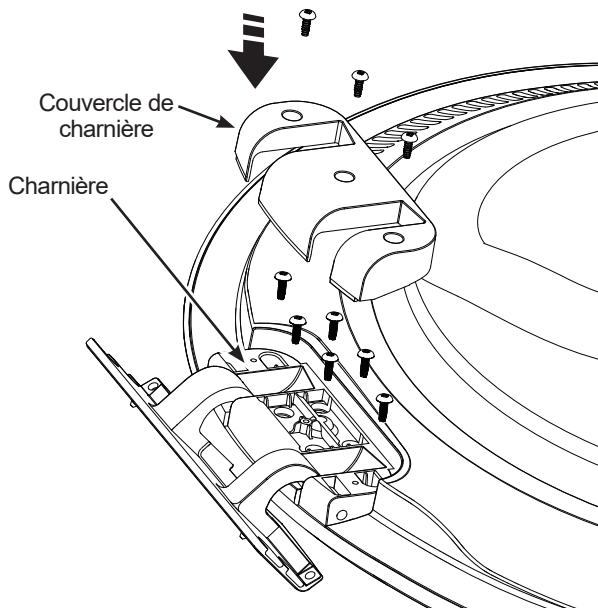


Instructions d'installation

INVERSION DE L'OUVERTURE DE LA PORTE (Optionnel)

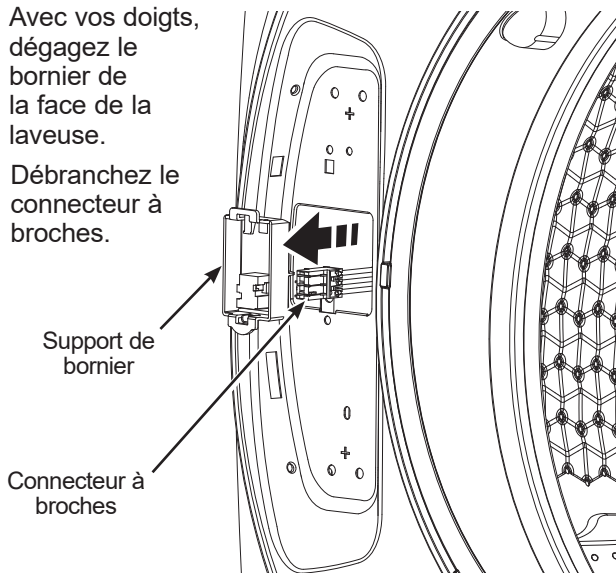
5 REMPLACEZ LA CHARNIÈRE DE PORTE ET LE COUVERCLE DE CHARNIÈRE SUR LE CÔTÉ OPPOSÉ

- Faites pivoter la charnière et remplacez-la sur le côté opposé avec ses vis.
- Faites pivoter le couvercle de charnière et remplacez-le sur le côté opposé avec ses vis.



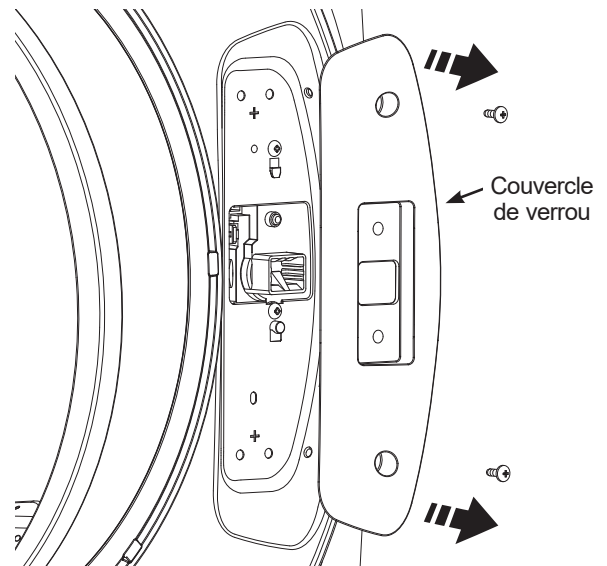
6 RETIREZ LE SUPPORT DE BORNIER ET DÉBRANCHEZ LE CONNECTEUR À BROCHES DE LA LAVEUSE

- Avec vos doigts, dégagez le bornier de la face de la laveuse.
- Débranchez le connecteur à broches.

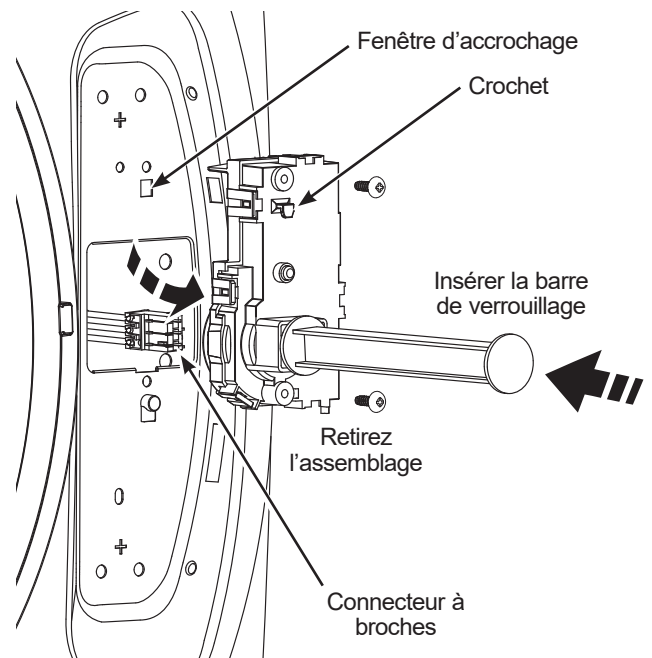


7 RETIREZ L'ASSEMBLAGE DE VERROU ET INSTALLEZ-LE SUR LE CÔTÉ OPPOSÉ DE LA LAVEUSE

- Retirez les 2 vis du couvercle de verrou puis retirez-le de la face de la laveuse.



- Insérez la barre de verrouillage fournie dans le mécanisme du verrou situé dans la face de la laveuse. Retirez l'assemblage de verrou en retirant ses deux vis; utilisez la barre de verrouillage pour soulever l'assemblage afin de le décrocher, puis inclinez et tirez-le à l'écart de la face de la laveuse. Débranchez son connecteur à broches en décliquetant ses pattes de verrouillage.

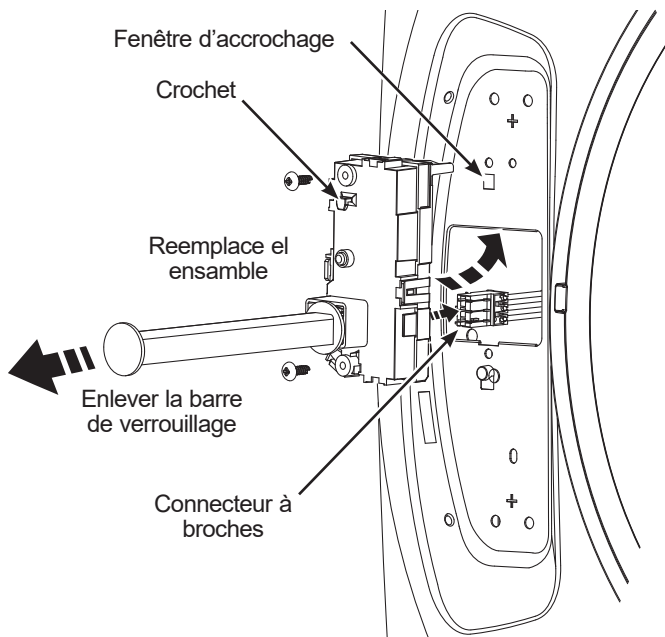


Instructions d'installation

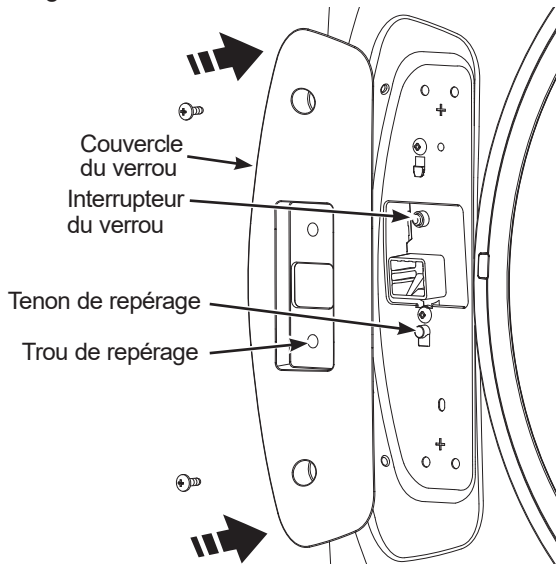
INVERSION DE L'OUVERTURE DE LA PORTE (Optionnel)

7 RETIREZ L'ASSEMBLAGE DE VERROU ET INSTALLEZ-LE SUR LE CÔTÉ OPPOSÉ DE LA LAVEUSE (SUITE)

- **NE** faites **PAS** pivoter l'assemblage de verrou. Déplacez-le du côté opposé de la laveuse et branchez le connecteur à broches en vous assurant qu'il s'insère à fond. Inclinez et insérez l'assemblage de verrou dans la face de la laveuse, soulevez-le et accrochez son crochet dans sa fenêtre. Réinstallez ses vis. Retirez la barre de verrouillage de l'assemblage et conservez-la pour usage ultérieur.

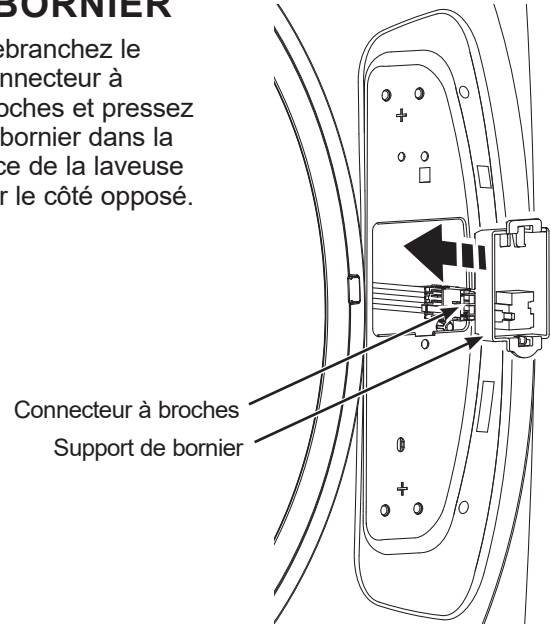


- Installez le couvercle du verrou sur le verrou, en vous assurant que le tenon de repérage rentre dans le trou de repérage et que l'interrupteur du verrou bouge librement. Réinstallez ses vis.



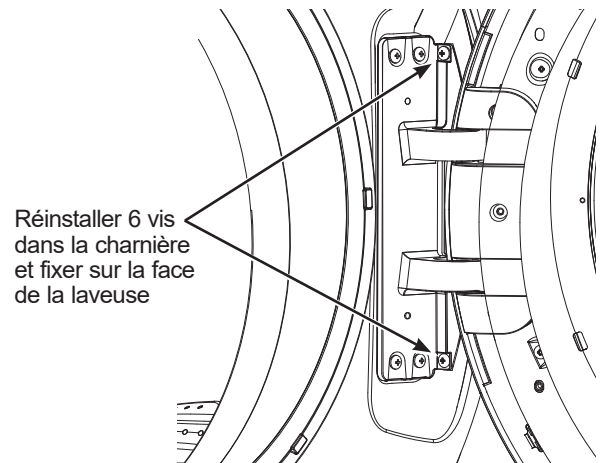
8 REBRANCHEZ LE CONNECTEUR À BROCHES DE LA LAVEUSE ET REMPLACEZ LE SUPPORT DE BORNIER

- Rebranchez le connecteur à broches et pressez le bornier dans la face de la laveuse sur le côté opposé.



9 REMPLACEZ L'ASSEMBLAGE DE PORTE

- Soulevez l'assemblage de porte en place et fixez-le sur la face de la laveuse avec ses 6 vis



- Fermez la porte de la laveuse.

REMARQUE : Assurez-vous que la porte s'ouvre et se ferme correctement. Si ce n'est pas le cas, répétez toutes les étapes en vous assurant que toutes les pièces et vis sont solidement fixées.

- Branchez le cordon d'alimentation et réenclenchez le disjoncteur.
- Faites fonctionner la laveuse durant un cycle complet pour vérifier son bon fonctionnement.

Conseils de Dépannage...Avant d'appeler un réparateur

Problème	Causes possibles	Correctifs
Pas de vidange Pas d'essorage Pas de culbutage	La charge est déséquilibrée	Redistribuez les vêtements et faites un Rinse & Spin (Rinçage & Essorage).
		Augmentez la taille de la charge si vous lavez une petite charge contenant des articles légers et lourds.
	Le filtre de la pompe à eau est peut-être bouché	Reportez-vous Entretien et nettoyage pour le nettoyage du Filtre de la pompe .
	Le tuyau de vidange est tortillé ou mal connecté	Redressez le tuyau de vidange et assurez-vous que la laveuse n'est pas dessus.
	Le siphon d'évacuation de la maison peut être bouché	Vérifiez la plomberie de la maison. Vous pouvez avoir besoin d'appeler un plombier.
	Siphonage du tuyau de vidange; tuyau de vidange enfoncé trop bas dans le drain.	Assurez-vous qu'il y a un espace d'air entre le tuyau et le drain.
Fuite d'eau	Le joint de la porte est endommagé	Vérifiez si le joint est bien en place et s'il n'est pas déchiré. Les objets oubliés dans les poches peuvent endommager la laveuse (clous, vis, stylos, crayons).
		L'eau peut dégoutter de la porte lorsque celle-ci est ouverte. Il s'agit d'un fonctionnement normal.
		Essuyez soigneusement le joint de porte en caoutchouc. Parfois de la saleté ou des vêtements coincés dans le joint peuvent causer une petite fuite.
	Vérifiez la présence d'eau à la partie arrière gauche de la laveuse	Si cette partie est mouillée, cela indique la présence d'un surplus de mousse savonneuse. Utilisez moins de détergent.
	Les tuyaux d'entrée de l'eau ou le tuyau de vidange ne sont pas bien branchés	Assurez-vous que les tuyaux soient bien branchés au niveau des robinets et la laveuse et assurez-vous que le tuyau de vidange soit bien inséré et fixé à l'installation de vidange.
	La vidange de la maison est peut-être bloquée	Vérifiez la plomberie de la maison. Il est possible que vous ayez besoin d'appeler un plombier.
	Distributeur colmaté	Le savon en poudre peut causer des colmatages à l'intérieur du distributeur et causer une fuite d'eau à l'avant du distributeur. Retirez le tiroir et nettoyez le tiroir et l'intérieur de la boîte de distributeur. Reportez-vous à la section Entretien et nettoyage .
	Utilisation incorrecte de détergent	Utilisez du détergent HE uniquement et en bonne quantité.
	Compartment de distributeur fissuré	Dans le cas de nouvelle installation, recherchez les fissures sur l'intérieur du distributeur.
Vêtements trop mouillés	La charge est déséquilibrée	Redistribuez les vêtements et faites un Rinse & Spin (Rinçage & Essorage).
		Augmentez la taille de la charge si vous lavez une petite charge contenant des articles légers et lourds.
		La machine ralentit la vitesse d'essorage à 410 tr/min si elle a du mal à équilibrer la charge. Cette vitesse est normale.
	Le filtre de la pompe à eau est peut-être bouché	Reportez-vous Entretien et nettoyage pour le nettoyage du Filtre de la pompe .
	Surcharge	Le poids à sec de la charge doit être inférieur à 16 lbs.
	Le tuyau de vidange est tortillé ou mal connecté	Redressez le tuyau de vidange et assurez-vous que la laveuse n'est pas dessus.
	Le siphon d'évacuation de la maison peut être bouché	Vérifiez la plomberie de la maison. Vous pouvez avoir besoin d'appeler un plombier.
	Siphonage du tuyau de vidange; tuyau de vidange enfoncé trop bas dans le drain.	Assurez-vous qu'il y a un espace d'air entre le tuyau et le drain.

Conseils de Dépannage...Avant d'appeler un réparateur

Problème	Causes possibles	Correctifs
Cycle incomplet ou minuterie arrêtée	Redistribution automatique de la charge	La minuterie ajoute 3 minutes au cycle pour chaque rééquilibrage. 11 ou 15 rééquilibrages peuvent être effectués. C'est un fonctionnement normal. Ne faites rien, la machine terminera le cycle de lavage.
	Le filtre de la pompe à eau est peut-être bouché	Reportez-vous Entretien et nettoyage pour le nettoyage du Filtre de la pompe .
	Le tuyau de vidange est tortillé ou mal connecté	Redressez le tuyau de vidange et assurez-vous que la laveuse n'est pas dessus.
	Le siphon d'évacuation de la maison peut être bouché	Vérifiez la plomberie de la maison. Vous pouvez avoir besoin d'appeler un plombier.
	Siphonage du tuyau de vidange; tuyau de vidange enfoncé trop bas dans le drain.	Assurez-vous qu'il y a un espace d'air entre le tuyau et le drain.
Secousses, vibrations ou bruits forts ou inhabituels	Déplacement d'armoire	La laveuse est conçue pour bouger de 6 mm pour réduire les forces transmises au sol. Ce mouvement est normal.
	Tous les pieds de mise à niveau en caoutchouc ne touchent pas fermement le sol	Poussez/tirez sur l'arrière droit puis sur l'arrière gauche de la laveuse pour vérifier qu'elle est de niveau. Si elle ne l'est pas, réglez les pieds de mise à niveau en caoutchouc pour qu'ils touchent fermement le sol et qu'ils se bloquent en place.
	Charge déséquilibrée	Mettez l'appareil en pause, ouvrez la porte et redistribuez manuellement la charge. Pour inspecter la machine, exécutez un rinçage et un essorage à vide. Si tout est normal, le déséquilibre était causé par la charge.
	Le filtre de la pompe à eau est peut-être bouché	Reportez-vous Entretien et nettoyage pour le nettoyage du Filtre de la pompe .
Pas de puissance/ la laveuse ne fonctionne pas ou semble hors tension	La laveuse est débranchée	Assurez-vous que le cordon est bien branché dans une prise sous tension.
	L'arrivée d'eau est coupée	Ouvrez à fond les robinets d'eau chaude et d'eau froide
	Le disjoncteur est déclenché/le fusible a sauté	Inspectez les disjoncteurs/fusibles de la maison. Remplacez les fusibles ou réarmez le disjoncteur. La laveuse doit présenter une prise distincte.
	Vérifications automatiques du système	La première fois que la laveuse est branchée, des vérifications automatiques se produisent. Il peut être nécessaire d'attendre 20 secondes avant de pouvoir utiliser la laveuse. C'est un fonctionnement normal.
Accrocs, trous, déchirures, ou usure excessive	Surcharge	Ne dépassez pas les tailles de charge maximum recommandées. Reportez-vous aux tailles de charge maximum recommandées dans la section Chargement .
	Stylos, crayons, clous, vis ou autres objets égarés dans les poches	Retirez les objets égarés dans les poches.
	Aiguilles, boutons pressions, agrafes, boutons à bord vif, boucles de ceinture, fermetures à glissière et objets à bord vif égarés dans les poches	Fermez les boutons pressions, agrafes, boutons et fermetures à glissière
Temps de contrôle incorrect ou variations	C'est normal.	Pendant l'essorage, la laveuse peut avoir besoin de rééquilibrer la charge parfois pour réduire les vibrations. Lorsque cela se produit, le temps estimé est augmenté, ce qui cause une augmentation du temps qui reste.
Pas assez d'eau	C'est normal.	Les laveuses horizontales ne nécessitent pas que la cuve se remplisse d'eau contrairement aux laveuses à charge par le haut

Conseils de Dépannage...Avant d'appeler un réparateur

Problème	Causes possibles	Correctifs
La laveuse fait une pause ou doit être redémarrée ou la porte de la laveuse est verrouillée et ne s'ouvre pas	Le filtre de la pompe à eau est peut-être bouché	Reportez-vous Entretien et nettoyage pour le nettoyage du Filtre de la pompe .
La porte se débloque ou la machine ne fonctionne pas lorsque vous appuyez sur Start	C'est normal.	Les laveuses à chargement frontal démarrent différemment de celles à chargement par le haut, et il faut plusieurs secondes pour vérifier le système. La porte se verrouille et se déverrouille
	Fonctionnement incorrect	Ouvrez et fermez simplement la porte fermement, puis appuyez sur Start (Marche).
L'eau ne rentre pas dans la laveuse ou entre lentement	Vérifications automatiques du système	Une fois Start (Marche) appuyé, la laveuse fait plusieurs vérifications du système. L'eau coule plusieurs secondes après que Start (Marche) soit appuyé
	Les tamis de vanne d'eau sont colmatés	Coupez l'arrivée d'eau et retirez les tuyaux de connexion d'eau en haut à l'arrière de la laveuse. Utilisez une brosse ou un cure-dent pour nettoyer les tamis dans la machine. Reconnectez les tuyaux et rouvrez l'arrivée d'eau.
	Les rondelles à grille de l'admission d'eau sont bloqués	Fermez l'eau et enlevez les tuyaux d'admission des robinets muraux. Utilisez une brosse ou un cure-dent pour nettoyer les rondelles à grille au bout des tuyaux. Reconnectez les tuyaux et ouvrez l'eau.
	Le filtre de la pompe à eau est peut-être bouché	Reportez-vous Entretien et nettoyage pour le nettoyage du Filtre de la pompe .
	Tuyaux de remplissage pliés	Vérifiez que les tuyaux de remplissage ne sont pas pliés ni bouchés.
	L'arrivée d'eau est coupée	Ouvrez à fond les robinets d'eau chaude et d'eau froide.
	Efficacité énergétique	Comme cette laveuse est éconergétique, ses réglages de température peuvent différer par rapport à une laveuse qui ne l'est pas.
	Alimentation d'eau insuffisante	Assurez-vous que l'alimentation d'eau est ouverte et que les robinets d'eau sont tournés à la position d'ouverture maximale.
	La porte de la laveuse est ouverte	La porte de la laveuse doit être fermée pendant tous les cycles de lavage. Si la porte est ouverte pendant un cycle de lavage, toutes les fonctions s'arrêteront, y compris le remplissage d'eau.
	Raccordement de tuyaux de remplissage incorrect	Vérifiez que les tuyaux de remplissage relient l'alimentation d'eau chaude à l'entrée d'eau chaude de la laveuse et l'alimentation d'eau froide à l'entrée d'eau froide de la laveuse (chaude avec chaude, froide avec froide).
Froissement	Tri incorrect	Évitez de mélanger des articles lourds (comme des vêtements de travail) avec des articles légers (comme des chemisiers).
	Surcharge	Chargez la laveuse pour que les vêtements aient assez de place pour bouger librement.
	Cycle de lavage incorrect	Assortissez la sélection de cycle au type de tissus que vous lavez (surtout pour les charges à entretien facile).
	Lavage répété dans de l'eau trop chaude	Lavez dans l'eau froide ou chaude.

Conseils de Dépannage...Avant d'appeler un réparateur

Problème	Causes possibles	Correctifs
Vêtements grisâtres ou jaunâtres	Pas assez de détergent	Utilisez la bonne quantité de détergent.
	Détergent utilisé pas HE (haute efficacité)	Utilisez du détergent HE uniquement.
	Eau calcaire	Utilisez l'eau la plus chaude possible pour le tissu.
		Utilisez un conditionneur d'eau comme la marque Calgon ou installez un adoucisseur d'eau.
	L'eau n'est pas assez chaude	Assurez-vous que le chauffe-eau distribue de l'eau entre 48 et 60°C.
	Le détergent ne se dissout pas	Essayez un HE détergent liquide
Taches colorées	Transfert de colorant	Triez les vêtements par couleur. Si l'étiquette du vêtement indique de laver séparément, cela peut indiquer des colorants instables.
	Utilisation incorrecte d'assouplisseur	Inspectez le sachet d'assouplisseur de tissu pour des instructions et suivez les directives d'utilisation du distributeur.
		Séparez le blanc et les couleurs claires des couleurs foncées. Sortez rapidement le linge de la laveuse.
La température de l'eau est incorrecte	L'arrivée d'eau est mal connectée	Assurez-vous que les tuyaux sont connectés aux bons robinets.
	Le chauffe-eau de la maison est mal réglé	Assurez-vous que le chauffe-eau distribue de l'eau entre 48 et 60°C.
Odeur désagréable dans la laveuse	Laveuse inutilisée pendant longtemps, pas d'utilisation du détergent HE de la qualité recommandée ou utilisation d'une quantité excessive de détergent	Utilisez régulièrement ULTRAFRESH VENT entre les lavages.
		En cas d'odeur forte, vous devrez peut-être exécuter le cycle Self Clean (Autonettoyage) plus d'une fois.
		Utilisez uniquement la quantité de détergent recommandée ou réglez SmartDispense à LOW .
		Utilisez uniquement du détergent HE (haute efficacité)
		Retirez toujours rapidement les vêtements humides de la laveuse après arrêt de la machine ou utiliser 1 Step Wash + Dry ou Tumble Care .
		Si vous choisissez de ne pas utiliser le système ULTRAFRESH VENT , laissez la porte légèrement ouverte pour sécher la laveuse à l'air. Une surveillance étroite est requise pour tout appareil utilisé par des enfants ou à leur proximité. NE laissez pas les enfants jouer sur ou à l'intérieur de cet appareil.
Fuite de détergent	C'est normal	Il est normal de voir le détergent fuir sur le joint de la porte environ 20 secondes après remplissage du distributeur.
Distribution incorrecte de l'assouplisseur ou de l'agent blanchissant	Distributeur colmaté	Nettoyez une fois par mois le tiroir distributeur pour retirer les dépôts de produits chimiques.
	Assouplisseur ou agent blanchissant au-dessus du trait max	Assurez-vous de mettre la bonne quantité d'assouplisseur.
Le tiroir distributeur ne distribue pas correctement	Sachet de détersif placé dans le tiroir distributeur	Les sachets de détersif ne doivent pas être utilisés dans le distributeur. Ils doivent être ajoutés directement dans le panier de lavage conformément aux directives du fabricant.
La pompe fonctionne alors que la laveuse n'est pas utilisée	Obstruction dans le drain de puisard	Ce phénomène est normal. Le puisard détecte un niveau d'eau indésirable causé probablement par un robinet ouvert. Fermez la vanne d'eau et vérifiez si elle reste bloquée.

Garantie limitée de la laveuse GE Appliances

GARANTIE LIMITÉE

www.electromenagersge.ca

Toutes les réparations sous garantie limitée seront effectuées par nos centres de réparation ou nos réparateurs autorisés. Pour planifier un service en ligne, rendez-vous sur Electromenagersge.ca/fr/soutien/demande-de-service ou appelez le **800.561.3344**. Veuillez fournir le numéro de série et le numéro de modèle lorsque vous appelez pour obtenir le service.

Pour le diagnostic, la réparation de votre appareil peut nécessiter l'utilisation du port de données embarqué. Celui-ci permet au technicien de réparation GE Appliances de diagnostiquer rapidement des problèmes avec votre appareil. Il permet également à GE Appliances d'améliorer ses produits en fournissant à ces derniers des informations sur votre appareil. Si vous ne voulez pas que les données de votre appareil soient envoyées à GE Appliances, veuillez demander à votre technicien de NE PAS soumettre les données à GE Appliances pendant la réparation.

Pendant la période de :	Nous remplacerons :
Un an À compter de la date d'achat d'origine	Toute pièce défectueuse en raison d'un vice de matériau ou de fabrication. Au cours de cette garantie limitée d'un an , nous fournirons également, sans frais , les pièces et la main-d'œuvre pour remplacer la pièce défectueuse.
Dix ans À compter de la date d'achat d'origine	Le moteur , si celui-ci se révèle défectueux en raison d'un vice de matériaux ou de fabrication. Pendant cette garantie limitée complémentaire de neuf ans , vous serez responsable des frais de main-d'œuvre et de service associés.

Ce qui n'est pas couvert :

- Toute visite à votre domicile pour vous expliquer le fonctionnement de l'appareil.
- L'installation, la livraison ou l'entretien inadéquats de l'appareil.
- Toute défectuosité du produit attribuable à une utilisation abusive ou inadéquate, s'il a été utilisé à toute autre fin que celle pour laquelle il a été conçu, ou s'il a été utilisé à des fins commerciales.
- Le remplacement des fusibles ou le réenclenchement des disjoncteurs de votre domicile.
- Les produits qui ne sont pas défectueux ou brisés, ou qui fonctionnent tel que décrit dans le Manuel de l'utilisateur.
- Tout dommage au produit attribuable à un accident, un incendie, une inondation ou une catastrophe naturelle.
- Tout dommage accessoire ou indirect, causé par des défaillances possibles de l'appareil.
- Les défectuosités ou les dommages causés par une utilisation de l'appareil à des températures situées sous le point de congélation.
- Tout dommage causé après la livraison.
- Tout produit auquel il n'est pas possible d'accéder pour effectuer les réparations nécessaires.

EXCLUSION DES GARANTIES IMPLICITES :

Votre seul et unique recours est de faire réparer le produit dans le cadre de cette garantie limitée. Toute garantie implicite, incluant la garantie de qualité marchande ou d'adaptabilité du produit à un usage particulier, est limitée à un an ou à la période la plus courte autorisée par la loi.

Cette garantie limitée est offerte à l'acheteur initial, ainsi qu'à tout propriétaire subséquent d'un produit acheté au Canada en vue d'une utilisation domestique au Canada. Si le produit se situe dans une zone où aucun réparateur agréé par GE Appliances n'est disponible, vous devrez peut-être assumer les frais de déplacement de celui-ci ou apporter le produit à un atelier de réparation agréé par GE Appliances.

Dans certains États ou province, il est interdit d'exclure ou de limiter les dommages indirects ou accessoires. Il est alors possible que les limitations ou exclusions ci-dessus ne s'appliquent pas dans votre cas. La présente garantie limitée vous confère des droits juridiques spécifiques. Vous pouvez bénéficier d'autres droits, qui varient d'un État ou d'une province à l'autre. Pour connaître les droits dont vous bénéficiez, communiquez avec le bureau des Relations avec les consommateurs de votre région ou de votre province.

Garant : MC Commercial Inc., Burlington, ON, L7R 5B6

Agrafez le reçu d'achat ici. Pour obtenir le service sous garantie, vous devrez fournir la preuve de l'achat original.

Soutien au consommateur

Site Web de GE Appliances

Vous avez une question ou vous avez besoin d'aide pour votre appareil électroménager? Visitez le site Web de GE Appliances 24 heures par jour, tous les jours de l'année! Vous pouvez aussi y trouver d'autres formidables produits GE Appliances et tirer avantage de tous nos services d'assistance en ligne. Au Canada : ElectromenagersGE.ca/fr.

Enregistrez votre électroménager

Enregistrez votre nouvel appareil en ligne au moment qui vous convient le mieux! L'enregistrement de votre produit dans les délais prescrits permet une meilleure communication et un service rapide, selon les modalités de votre garantie, si besoin est. Vous pouvez également envoyer par courrier la carte d'enregistrement pré-imprimée qui se trouve dans l'emballage de votre appareil.

Au Canada : Prodsupport.mabe.ca/crm/Products/ProductRegistration.aspx.

Service de réparation

Un service de réparation expert GE Appliances se trouve à quelques pas de chez vous. Rendez-vous sur notre site et programmez, à votre convenance, une visite de réparation à n'importe quel jour de l'année.

Au Canada : electromenagersge.ca/fr/soutien/demande-de-service ou composez le 800.561.3344.

Prolongation de garantie

Procurez-vous une prolongation de garantie GE Appliances et informez-vous des rabais spéciaux en vigueur pendant la durée de votre garantie. Vous pouvez vous la procurer en ligne en tout temps. Les services GE Appliances seront toujours disponibles après l'expiration de la garantie.

Au Canada : electromenagersge.ca/fr/soutien/achat-d-une-garantie-prolongee ou composez le 866.277.9842.

Connectivité à distance

Pour de l'assistance concernant la connectivité au réseau sans fil (pour les modèles équipés de cette fonction), visitez notre site Web au <http://www.electromenagersge.ca/fr/nouvelles-et-promotions/nouveautes/wifi-connect/>.

Pièces et accessoires

Les personnes ayant les compétences requises pour réparer elles-mêmes leurs appareils peuvent recevoir directement à la maison des pièces ou accessoires (les cartes VISA, MasterCard et Discover sont acceptées). Commandez en ligne 24 heures par jour.

Au Canada : Electromenagersge.ca/fr/produits/filtres-et-accessoires ou composer le 800.661.1616.

Les instructions contenues dans le présent manuel comportent des procédures que tout utilisateur peut effectuer. Les autres types de réparation doivent généralement être confiés à un technicien qualifié. Utilisez de prudence : une réparation ou un entretien mal effectués peuvent rendre l'utilisation de l'appareil dangereuse.

Communiquez avec nous

Si vous n'êtes pas satisfait du service après-vente de GE Appliances, communiquez avec nous depuis notre site Web en fournissant tous les détails dont votre numéro de téléphone, ou écrivez à :

Au Canada : Director, Consumer Relations, MC COMMERCIAL INC. | Suite 310, 1 Factory Lane | Moncton, N.B. E1C 9M3
electromenagersge.ca/fr/contactez-nous.