



OVERALL DIMENSIONS

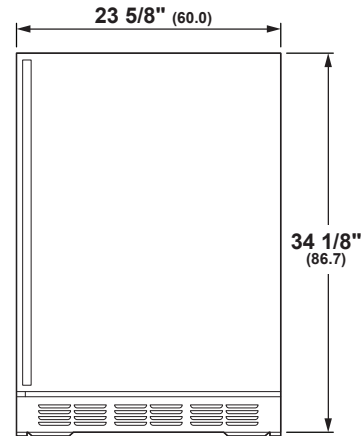
SPECIFICATIONS

Overall Width	23 1/2" (59.7 cm)
Overall Height	34 1/8" (86.7 cm)
Overall Depth	23 3/16" (58.9 cm)
Door Clearance	9 3/8" (23.8 cm) @ 110° 2" (5.1 cm) @ 90° 23 7/8" (60.6) door length
Overall Capacity	4.25 cu. ft.
Minimum Cabinet Width	23 3/4" (60.3 cm)
Minimum Cabinet Depth	24" (61.0 cm)
Cutout Width	23 3/4" (60.3 cm)
Cutout Height	34 1/2" (87.6 cm) Min 35" (88.9 cm) Max
Electrical Requirements	2.0 A
Voltz/Hertz/Amps	120 V, 60 Hz, 15 or 20 amp circuit
Shipping Weight	126 lb (57 kg)

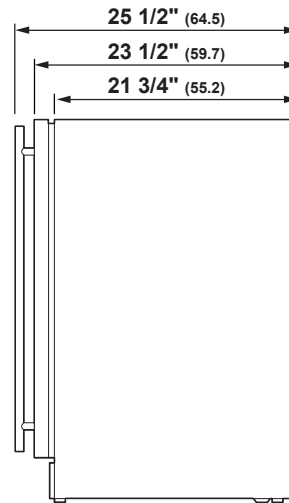
ATTENTION ELECTRICIAN:

A 115 volt 60Hz., 15 or 20 amp power supply is required. An individual properly grounded branch circuit or circuit breaker is recommended. Install a properly grounded 3-prong electrical receptacle recessed into the back wall.

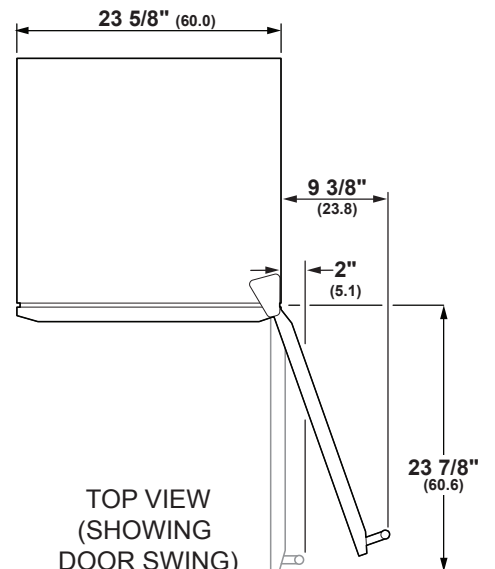
ELEVATE EVERYTHING™



FRONT VIEW



SIDE VIEW

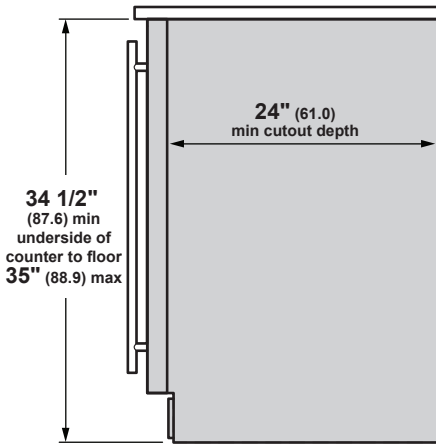


TOP VIEW (SHOWING DOOR SWING)

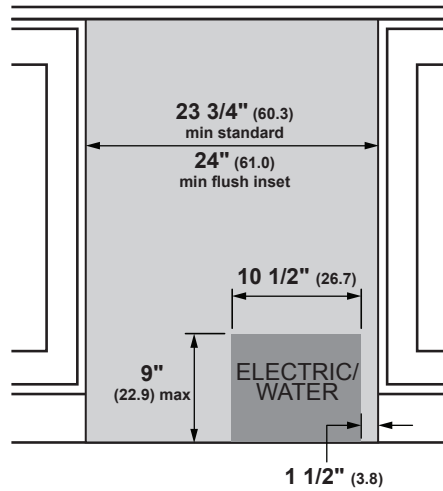
Dimensions in parentheses are in centimeters unless otherwise noted.

Actual product dimension may vary due to manufacturing tolerances.

INSTALLATION

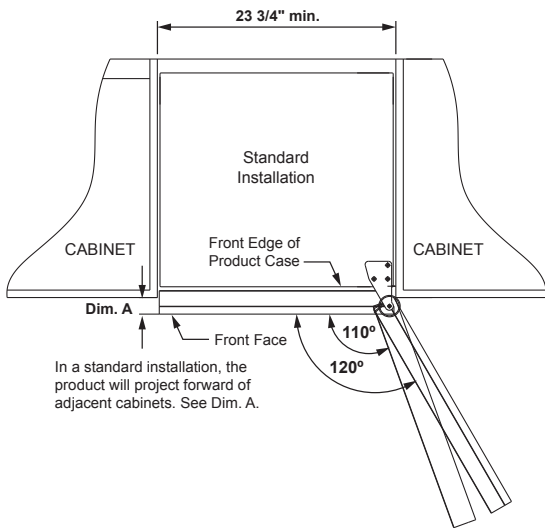


CUTOUT INSTALLATION  
SIDE VIEW

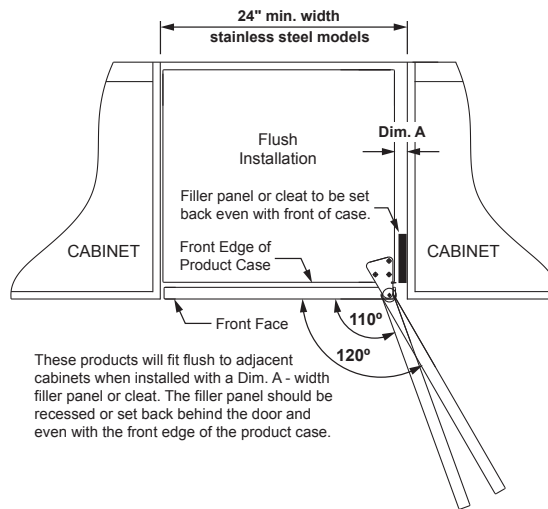


INSTALLATION CUTOUT  
FRONT VIEW

REFRIGERATION MODULES, TOP VIEW



In a standard installation, the product will project forward of adjacent cabinets. See Dim. A.



These products will fit flush to adjacent cabinets when installed with a Dim. A - width filler panel or cleat. The filler panel should be recessed or set back behind the door and even with the front edge of the product case.

PRODUCT	DIM. A
ZDWI240, ZDB1240	2"
ZDWR240, ZDBR240	1-3/4"
ZIFS240, ZIF1240	1-5/8"
ZDOD240	1-7/8"
ZIB1240, ZIBS240	2-5/8"

PRODUCT	DIM. A
ZDWI240, ZDB1240	1"
ZDWR240, ZDBR240	1"
ZIB1240, ZIF1240	1"
ZIFS240, ZIBS240	1/4"
ZDOD240	1-1/4"

NOTES

Installation Space: This module can be installed beneath a countertop or can be used free-standing.

For a standard installation of stainless steel unit: The product must be installed so that the front face will project 2-5/8" forward of adjacent cabinets.

For a flush installation of stainless steel unit: Install a 1" wide filler strip on the hinge side. The width of the opening must be 24" min. wide. See installation instructions for details.

Location Requirements: All Monogram Refrigeration Modules may be closed in on the top and sides as long as the front is unobstructed for air circulation and door swing.

- Do not install these products where the temperatures will go below 55° F (13 C) or above 90° F (32 C).
- Products must operate from separate properly grounded receptacles.
- These products are not designed to be stacked one over the other.

See installation instructions for side-by-side information.

## FEATURES AND BENEFITS

**DIGITAL TOUCH CONTROLS**

Provide precise temperature settings for cooling all types of fresh foods and beverages, and a LED display allows easy viewing of temperatures

**AUTOMATIC ICEMAKER WITH REMOVABLE ICE BIN**

Makes up to 8 pounds of ice per day

**SPACIOUS INTERIOR WITH REMOVABLE SPILLPROOF GLASS SHELVES AND FULL-EXTENSION WINE RACKS**

Accommodates beverages and fresh foods of all types and sizes, and puts them all within easy reach

**SOFT INTERIOR LED LIGHTING**

Automatically illuminates when the door is open, but can be activated by an internal on/off switch

**CONVENIENT 24" CONFIGURATION**

Is fully finished on all sides to allow installation virtually anywhere in the home

**FLUSH INSET INSTALLATION CAPABLE**

Allows near-seamless integration with surrounding cabinetry



ELEVATE EVERYTHING

**MONOGRAM**