

Bottom Mount REFRIGERATOR

SAFETY INFORMATION	2
Grounding requirements	3
INSTALLATION INSTRUCTIONS .	6
Before using the refrigerator	4
Find a suitable location	4
Provide appropriate ventilation	6
Access to an appropriate power source ..	7
Levelling the refrigerator	7
Reversing the door swing	8
USING THE FREEZER	12
Putting the refrigerator into service	12
Using the control panel	12
Selecting a temperature	13
Selecting a freezer temperature	13
Removing fruit and vegetable crispers ...	14
CARE AND CLEANING	15
Cleaning the refrigerator	15
Defrosting the refrigerator	15
Tips for storing food	16
TROUBLESHOOTING TIPS	18
WARRANTY	22
CONSUMER SUPPORT	23

OWNER'S MANUAL & INSTALLATION MANUAL

MDE19DTNKWW
MDE19DSNKSS

Write the model and serial numbers here:

Model # _____

Serial # _____

IMPORTANT SAFETY INFORMATION.

READ ALL INSTRUCTIONS BEFORE USING THE APPLIANCE

Introduction

Congratulations on your purchase of this high quality product. These models represent the latest technological breakthrough in the design of bottom-mount refrigerators and have been designed for exceptional performance and reliability.



This symbol indicates that dangerous voltage, constituting a risk of electric shock, is present in this refrigerator.



WARNING This symbol indicates that important operating and maintenance instructions are included in the documentation accompanying this product.



CAUTION RISK OF ELECTRIC SHOCK DO NOT OPEN

WARNING

- Read these instructions.
- Keep these instructions.
- Observe all warnings.
- Observe all instructions.
- Do not use this refrigerator near water.
- Clean only with a damp cloth.
- Do not block the ventilation openings. Install the product in accordance with the manufacturer's instructions.
- Install this appliance away from heat sources such as radiators, heat registers, ovens or other equipment (including amplifiers) that produce heat.
- Do not attempt to modify the safety device of the polarized or grounded plug. A polarized plug has two prongs, one wider than the other. A grounding-type plug consists of two prongs and a third grounding prong. The wide blade or the third blade has been designed for the user's safety. If the supplied plug does not fit into the outlet, have an electrician replace the power outlet.
- Protect the power cord to prevent it from being stepped on or crushed, especially at power outlets, power strips and where it is connected to the refrigerator.
- Do not attempt to modify or extend the power cord of this refrigerator.
- Unplug the refrigerator during thunderstorms or when it will not be used for an extended period of time.
- Make sure that the available AC power supply matches the voltage requirements of this refrigerator.
- Do not handle the plug with wet hands. This will result in risk of electric shock.
- Unplug the power cable by holding the plug, never by pulling the power cord.
- Turn off the refrigerator before disconnecting it.
- All repairs must be carried out by qualified personnel. Have the appliance repaired if it has been damaged, such as damaged power supply cord or plug, liquid entering the refrigerator or falling objects, exposure to rain or water, abnormal operation, or falling.
- To reduce the risk of fire and electric shock, do not expose this refrigerator to rain, moisture, splashes or water drops, and do not place containers filled with liquids on the appliance.
- Do not use an extension cord or ungrounded adapters (two prongs). If the power cord is too short, contact a qualified technician to install an outlet next to the refrigerator. The use of an extension cord can have negative effects on the operation of the refrigerator.
- This equipment is not intended for use by persons (including children) with reduced physical, sensory or intellectual abilities or without experience and knowledge, unless they are under supervision or have been informed about the safe use of the equipment by a person responsible for their safety.
- Children should be supervised to ensure that they do not play with the appliance.
- If the power cord has been damaged, it must be replaced by the manufacturer, its service department or other qualified persons to avoid any danger.

IMPORTANT SAFETY INFORMATION.

READ ALL INSTRUCTIONS BEFORE USING THE APPLIANCE

⚠ ELECTRIC SHOCK HAZARD

Failure to comply with these instructions may result in electric shock, fire or fatal injury.

- Keep the ventilation openings of the refrigerator and recess structure clear of obstructions.
- Do not touch the inside of the refrigerator with wet hands. Frostbite could result.
- Do not use any mechanical equipment or other methods to accelerate the defrosting process, other than those specified by the manufacturer.
- Do not damage the refrigerant circuit.
- Do not damage the refrigerant tubing when handling, moving or using the refrigerator.
- Never allow children to play with the refrigerator, operate it or climb into it.
- Do not use household appliances inside the appliance's storage compartments unless they are of the type recommended by the manufacturer.
- Connect only to a drinking water supply.
- Unplug the refrigerator before servicing it.
- If a part or component has been damaged, it must be replaced by the manufacturer, its service department or other qualified persons to avoid any danger.
- Observe local regulations regarding the disposal of the refrigerator due to flammable gases and refrigerants. All refrigeration equipments contain refrigerants that must be removed before disposal. Under federal law it is the consumer's responsibility to comply with federal and local regulations when disposing of this product.
- Do not store explosive substances, such as aerosol cans with flammable propellant gases, in this appliance.
- This appliance is intended for home use and other environments such as:
 - staff kitchen areas in stores, offices and other work environments;
 - on farms and by customers in hotels, motels and other residential environments;
 - bed & breakfast;
 - catering and similar applications other than retail.
- Minimum and maximum water pressure in the tube: 138/827 kPa (20/120 PSIG).

Risk of child entrapment. Before you throw away your old freezer

- Take off the doors.
- Leave the shelves in place so that children may not easily climb inside.

Grounding requirements

This refrigerator must be grounded. This appliance is equipped with a cord having a grounding wire with a grounding plug. The plug must be inserted into an outlet that is correctly installed and grounded.

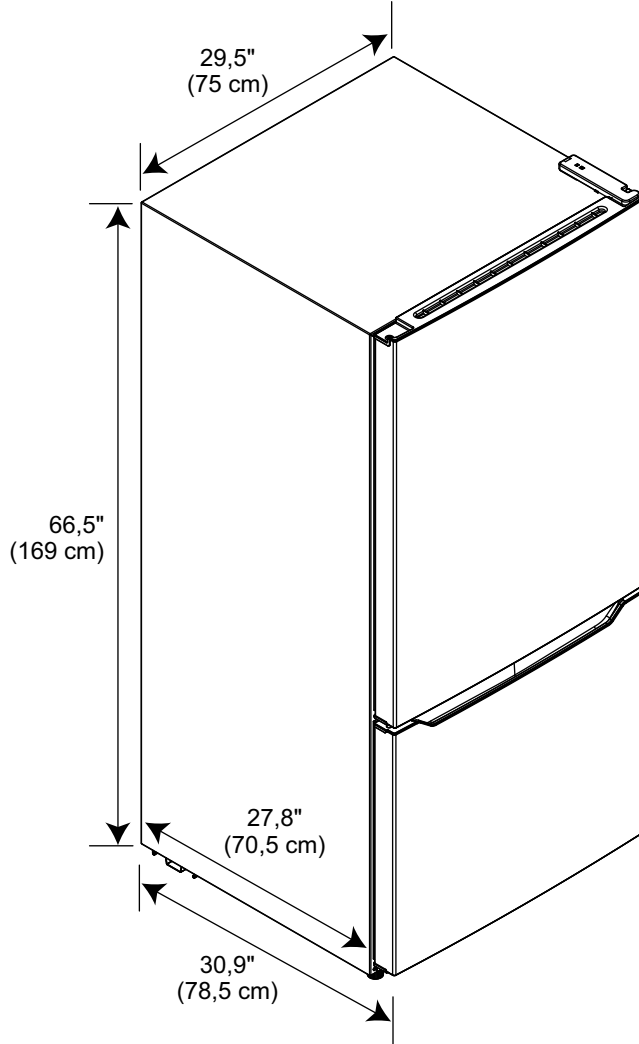
Incorrect use of the grounding plug can result in a risk of fire or electric shock. Consult a qualified electrician or service person if the grounding instructions are not completely understood, or if doubt exists as to whether your freezer is correctly grounded.

KEEP THESE INSTRUCTIONS

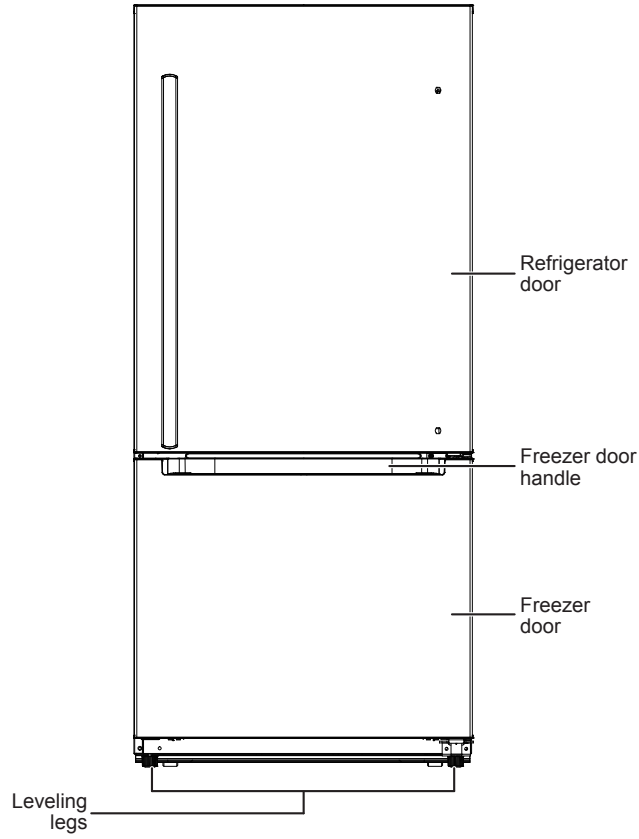
Features

Note: The illustrations in this Owner's Manual are provided for reference purposes only. The actual product may be slightly different.

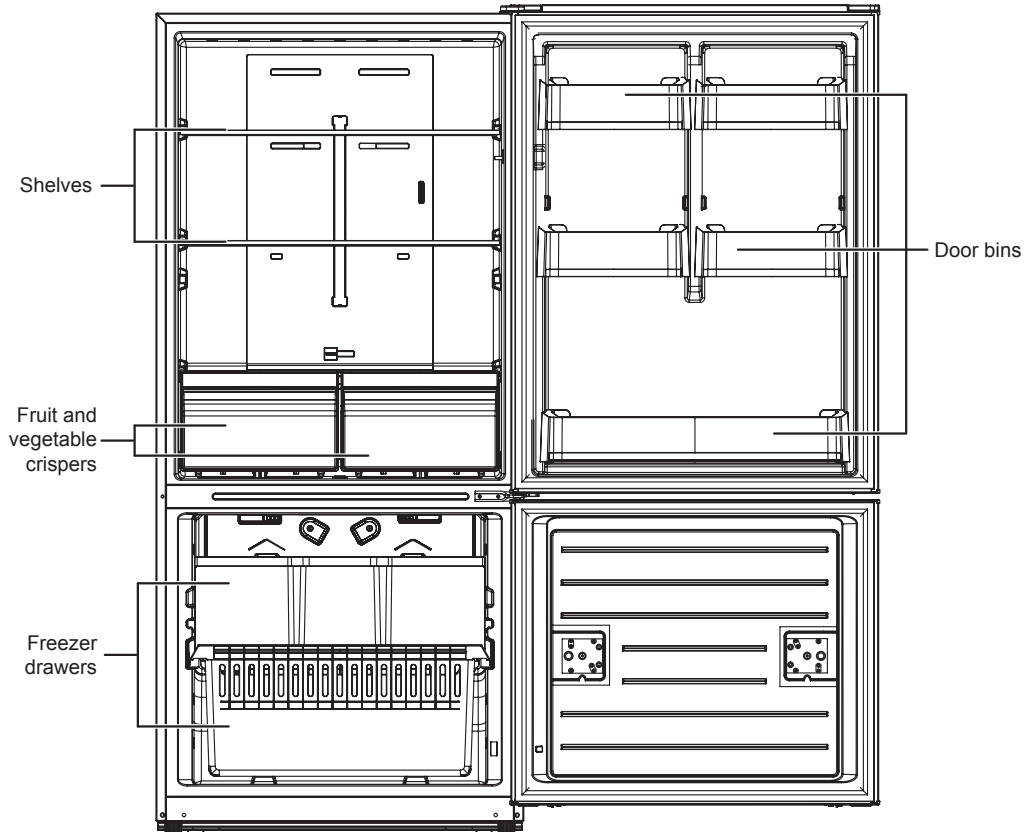
Product dimensions



Exterior



Interior



Installing the refrigerator

Before using the refrigerator

- Remove the outer and inner packaging materials.
- Wash the inside of the refrigerator with a damp warm cloth, soaked in a solution of baking soda (two tablespoons in a quarter of warm water), then dry with a dry cloth. Carry out this cleaning periodically to keep the appliance in new condition.
- Level the refrigerator using the levelling legs. If the refrigerator is not levelled, the doors may not close or be hermetically sealed, which could cause refrigeration, frost or moisture problems. Turn the levelling legs clockwise to raise or counterclockwise to lower one side.

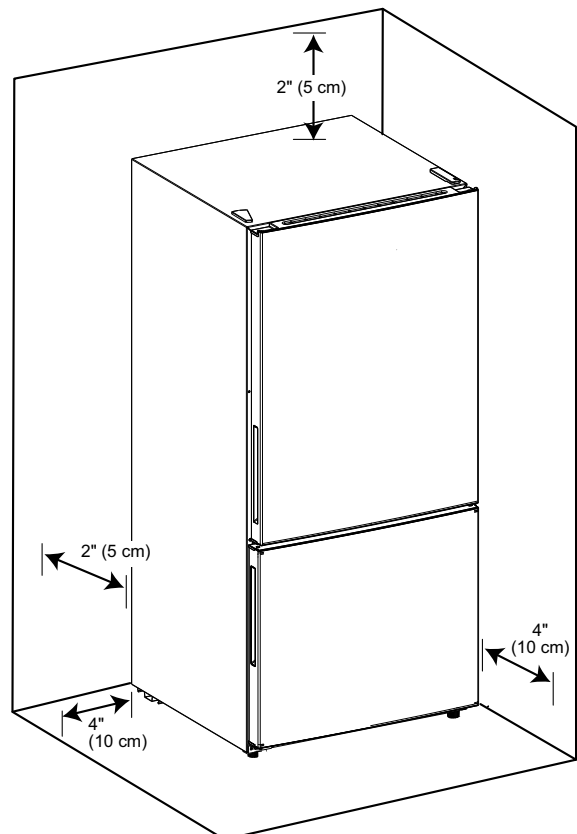
Find a suitable location

- Place the refrigerator on a floor that is strong enough to support it when it is full.
- Do not install the refrigerator on carpet or rugs.
- This refrigerator is designed as a freestanding appliance only and must not be recessed.
- Do not install this refrigerator in a garage or any other outdoor installation.
- Adjust the legs to keep the refrigerator level.
- If the refrigerator is placed near a wall, leave enough space for the hinged part of the door to open without any problem.
- Install the refrigerator away from direct sunlight and other heat sources, such as an oven, heater or radiator. Direct sunlight can damage the acrylic coating and heat sources can increase power consumption. Extremely cold temperatures can also prevent the refrigerator from operating properly.
- Avoid placing the refrigerator in damp places.

This refrigerator has been designed to operate at a temperature between 50°F (10°C) and 109°F (43°C). If the refrigerator operates outside this temperature range, it may not operate properly.

Provide appropriate ventilation

Leave a minimum clearance of 4" (10 cm) between the left and right side walls and the surrounding walls and a minimum clearance of 2" (5 cm) between the top and back of the refrigerator and the ceiling and the surrounding walls.



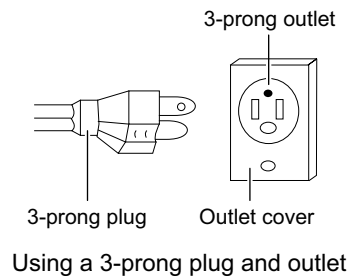
Access to an appropriate power source

Check the local power source. This refrigerator requires a 115 V, 60 Hz power supply.

⚠ WARNING

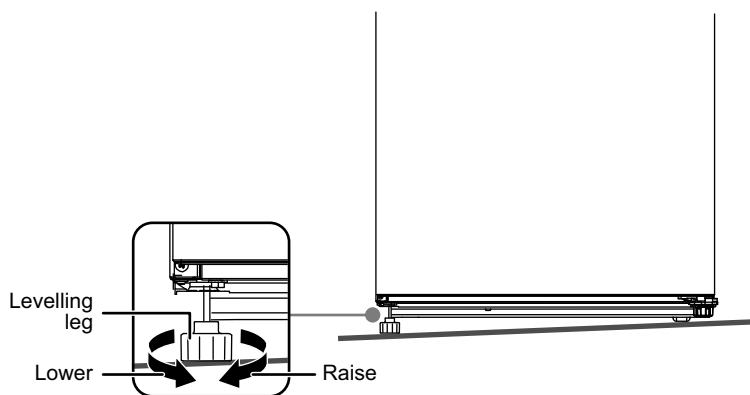
Make sure that:

- The power outlet is suitable for a 3-prong grounded plug. The third prong of the power cord plug grounds the refrigerator to reduce the risk of electric shock. Do not modify the power plug.
- NO other appliance should be plugged into the same outlet as the refrigerator. This could overload the circuit and cause a fire.
- DO NOT use an extension cord. If the refrigerator is too far from a power outlet, move it or ask an electrician to install a grounded outlet closer to it.
- The outlet must not be able to be switched off by means of a switch or cord.



Leveling the refrigerator

Leveling the refrigerator is important. If the refrigerator is not levelled, the doors may not close or be airtight, which could cause refrigeration, frost or moisture problems.



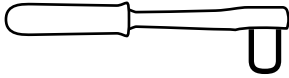
- To level the refrigerator, it is necessary to turn the leveling legs clockwise to raise it, or counterclockwise to lower it.

Note: The legs can be adjusted more easily if another person pushes the top of the refrigerator to tilt it slightly.

Reversing the door swing

⚠ CAUTION If the refrigerator is lying on its back or side for a period of time, wait six hours after restoring it to its vertical position to plug it. Otherwise, internal components could be damaged.

The following tools are required to reverse the refrigerator door swing:



5/16" socket wrench



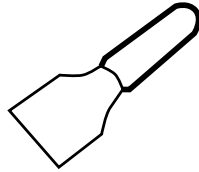
Phillips screwdriver



Flat blade screwdriver



Masking tape



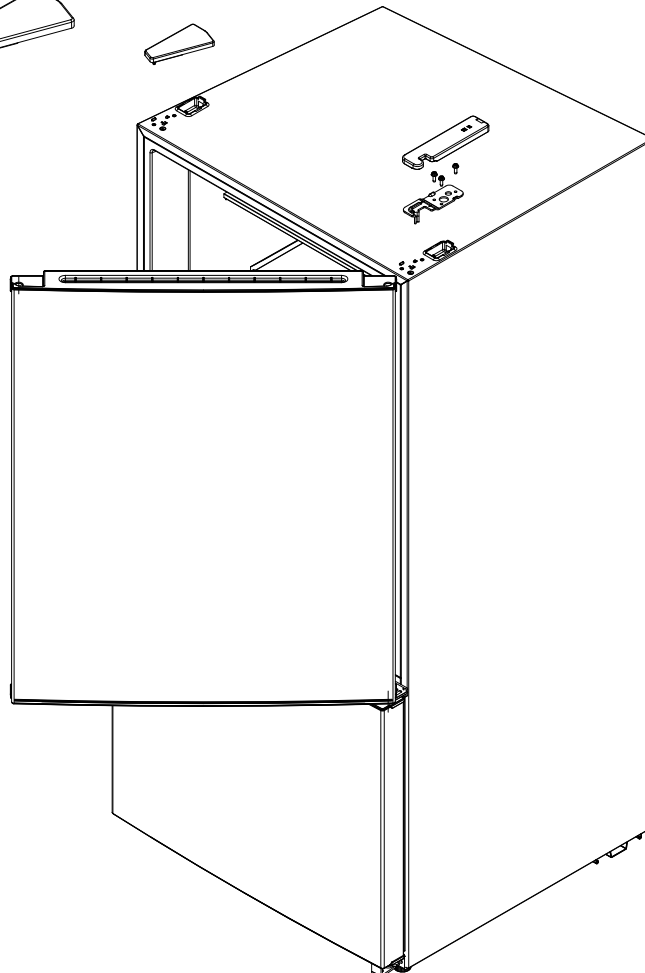
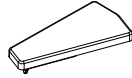
Mastic knife

List of parts provided with the refrigerator:

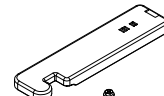
- Self-locking block on the left side.
- Opening stop on the left side.
- Central hinge on the left side.
- Upper hinge on the left side.
- Upper hinge cover on the left side.

1. Check that the refrigerator is unplugged and empty.
2. Remove the left cover plate and the cover of the upper right hinge, on the top of the refrigerator.
3. Remove the three fixing screws from the top hinge of the refrigerator, then remove the hinge. Keep the screws for later use.
4. Remove the door from the fresh food compartment.

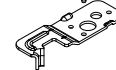
Cover plate



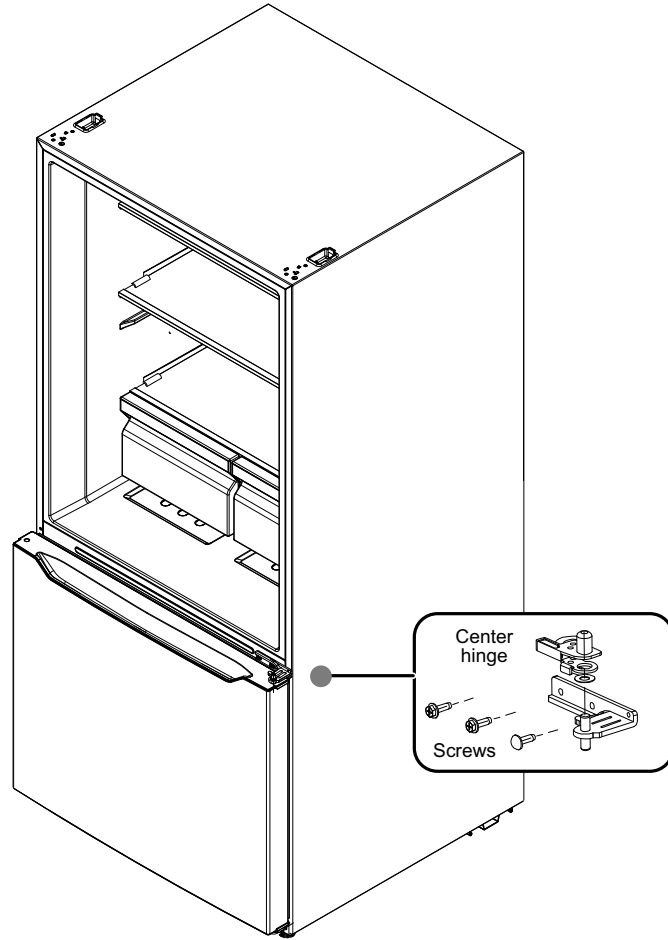
Hinge cover



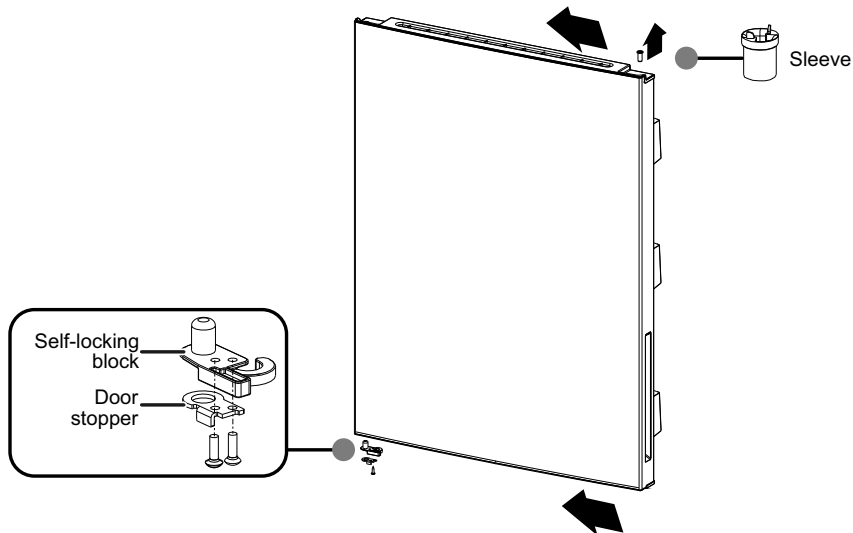
Screws



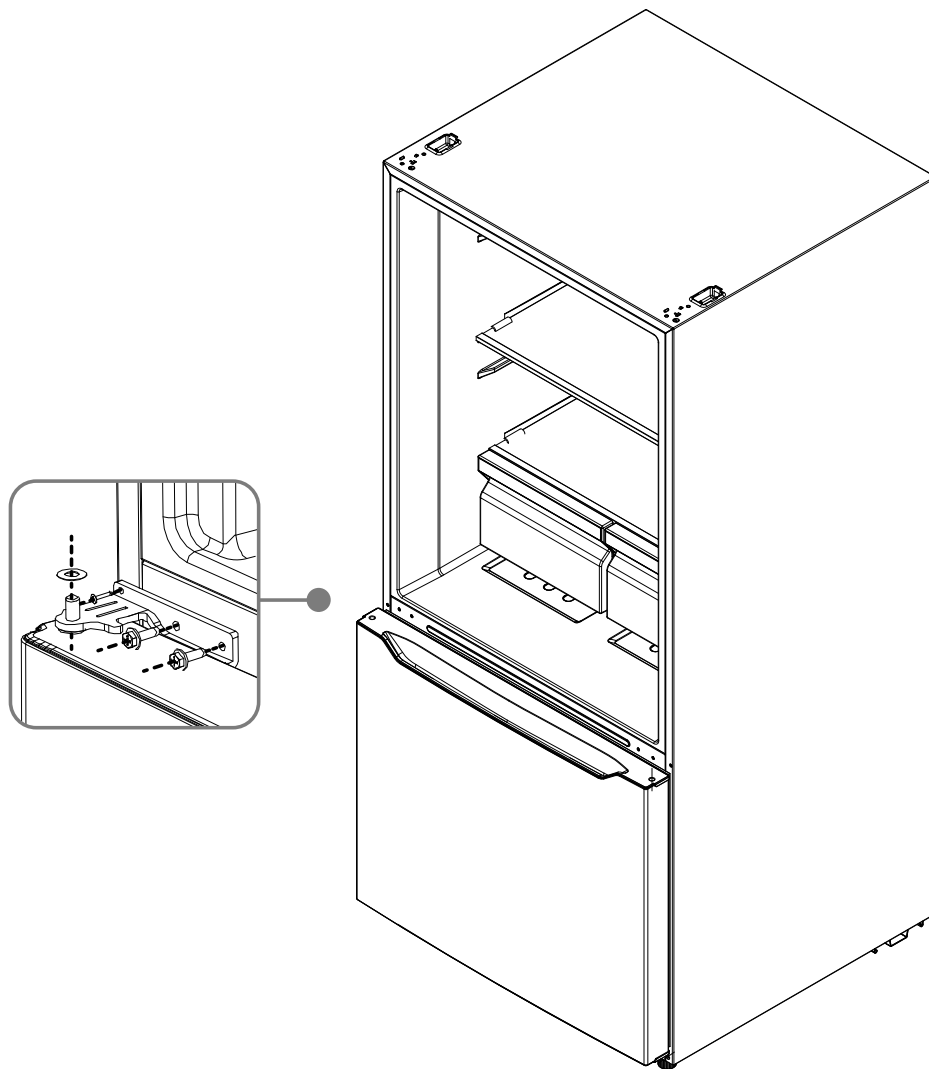
Top hinge



5. Remove the three fixing screws from the central hinge of the refrigerator, then remove the central hinge. Keep the screws for later use.
6. Remove the sleeves and covers from the refrigerator door openings and install them on the other side of the door.
7. Take the self-locking block and stop from the accessory pocket and install them on the lower left side of the refrigerator door as shown below.

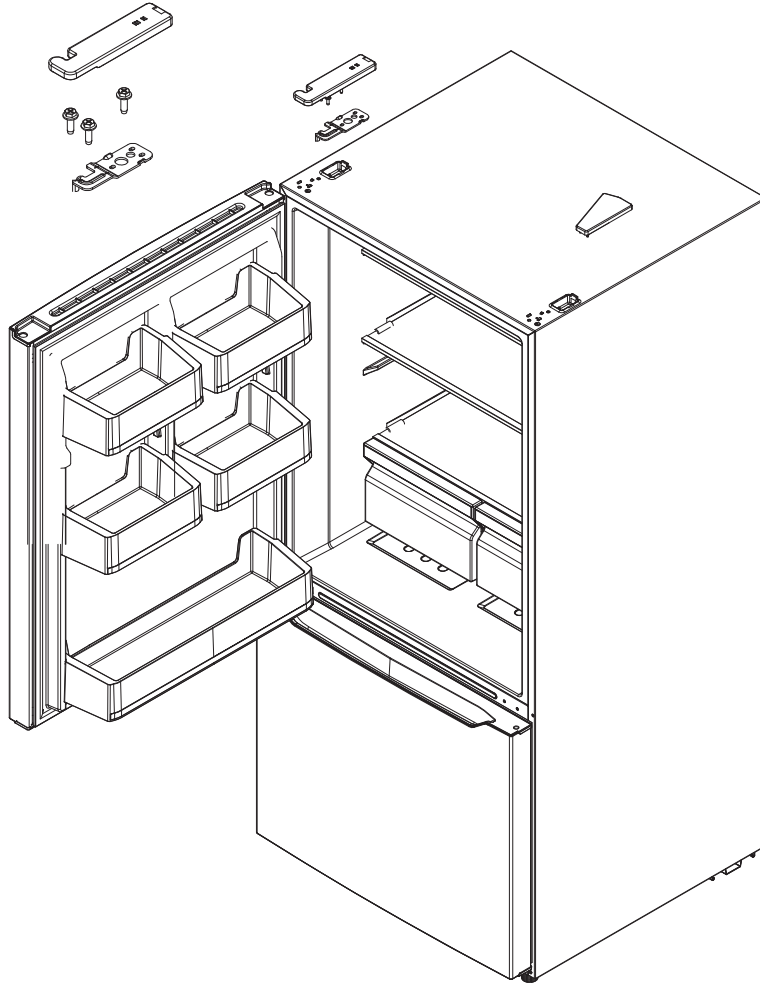


8. Take the central hinge on the left side of the accessory pocket and install it on the central left side of the refrigerator with the screws removed previously and the stud of the freezer door sheath. Place the included washer on the upper part of the pin of the central hinge.



9. Insert the door opening stop on the lower left side of the refrigerator into the hinge pin installed in the centre part of the left side of the refrigerator.

10. Take the upper hinge from the left side of the accessory pocket and install it on the upper left side of the refrigerator with the screws removed previously and the stud of the refrigerator door sheath.

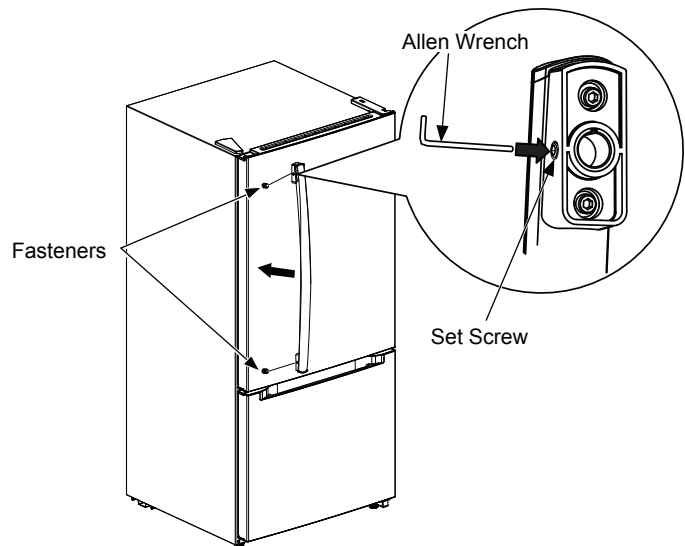


11. Install the hinge cover on the left side of the refrigerator and the hole cover on the right side.

Door Handle

Shape of handle may vary on your model.

1. Align the handle with fasteners.
2. Push the handle over fasteners until it touches the door.
3. Use the allen wrench to turn set screw clockwise to fasten the handle to the door.



Features

Putting the refrigerator into service

⚠ WARNING

- Internal temperatures may vary depending on the location of the refrigerator, the ambient temperature of the room and the frequency with which the doors are opened.
- Do not store carbonated beverages in the freezer compartment. They could burst and damage the refrigerator.
- Do not exceed the storage period indicated by the manufacturer, regardless of the type of food.

When the refrigerator is first plugged in, the temperature indicator lights up for three seconds, then the refrigerator operates in the default medium setting.

Before storing food in the refrigerator, turn on the refrigerator and freezer compartments and wait 24 hours to make sure they are working properly and to allow both compartments to reach the correct temperatures.

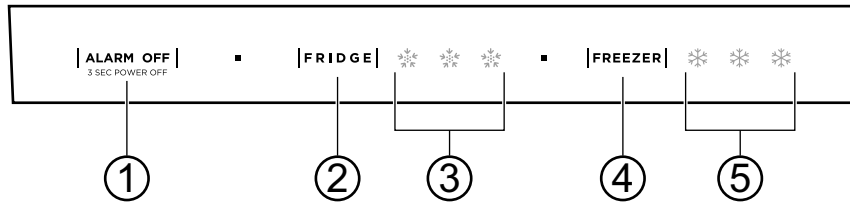
Disabling the open door alarm

When the refrigerator compartment door is open for more than three minutes, an alarm sounds.

Press the ALARM OFF button in the refrigerator compartment to deactivate the alarm.

When the door is closed, the alarm is deactivated.

Using the control panel



No.	ELEMENT	DESCRIPTION
1	ALARM OFF ON/OFF pad	<ul style="list-style-type: none"> ■ Allows you to disable the door alarm. ■ Press this pad for three seconds to put the refrigerator or freezer in standby mode. Press this button for three seconds to turn the refrigerator or freezer back on.
2	REFRIGERATOR pad	Allows you to scroll through the refrigerator temperature settings.
3	Refrigerator indicators	One to three indicator lights indicate the refrigerator temperature settings. <ul style="list-style-type: none"> • One indicator light = 45°F (7°C) • Two indicator lights = 39°F (4°C) • Three indicator lights = 36°F (2°C)
4	FREEZER pad	Allows you to scroll through the freezer temperature settings.
5	Freezer indicators	One to three indicator lights indicate the freezer temperature settings. <ul style="list-style-type: none"> • One indicator light = 9°F (-13°C) • Two indicator lights = -2°F (-19°C) • Three indicator lights = -8°F (-2°C)

STANDBY mode

If the refrigerator compartment is set to STANDBY mode, both the refrigerator and freezer compartments stop cooling. The indicator light in the refrigerator compartment continues to operate.

⚠ CAUTION If the refrigerator compartment is set to STANDBY mode, remove all food from both compartments to prevent food spoiling.

Selecting a temperature

Press the FRIDGE pad to scroll through the refrigerator temperature settings.

A warning light indicates a warm temperature. Three indicator lights correspond to the coldest temperatures.

Determining the best temperature setting

SEASON	RECOMMENDED SETTING
Summer (more than 95°F (35°C))	One indicator light
Spring or Fall (56 to 94°F (13 to 34°C))	One to three indicator lights
Winter (lower than 55°F (13°C))	Three indicator lights

Selecting a freezer temperature

Press the FREEZER button to go through the freezer temperature settings.

A warning light indicates the warmest temperature. Three indicator lights correspond to the coldest temperature.

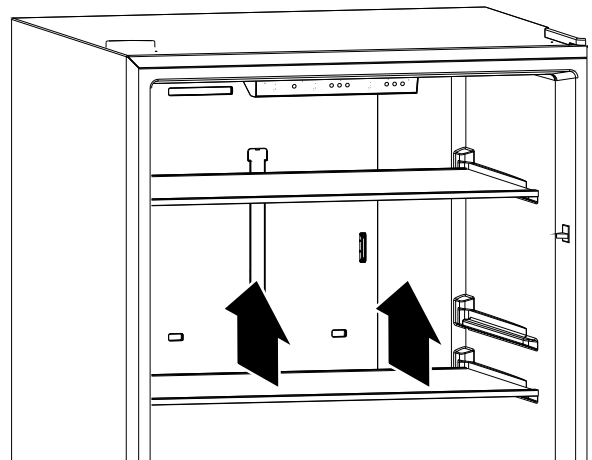
Determining the best temperature setting.

SEASON	RECOMMENDED SETTING
Summer (more than 95°F (35°C))	Three indicator lights
Fall or end of the year (56 to 94°F (13 to 34°C))	One to three indicator lights
Winter (lower than 55°F (13°C))	One indicator light

Adjusting the refrigerator shelves

The shelves inside the refrigerator and freezer compartment are adjustable.

1. Open the refrigerator or freezer door completely.
2. Lift a shelf and remove it.
3. To replace a shelf, slide it back into the compartment, then lower it to its position.

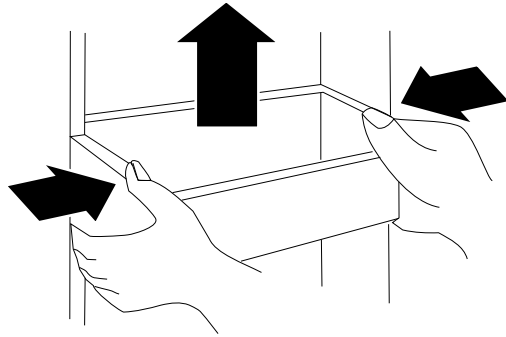


Adjusting the door bins

⚠ CAUTION Do not place too many heavy products in the door bins. This could break the bins.

The fresh food and freezer compartments have bins in the door. It is possible to adjust the bins to fit the stored products.

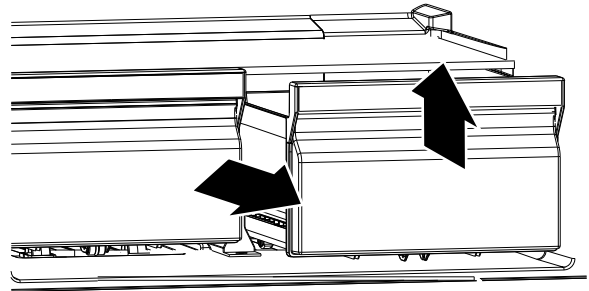
1. Remove all products from the bins.
2. Hold the door balloon with both hands, then press on the balloon by pushing it up and remove it.
3. Select the desired level to position the balconnet, then press the balconnet down to reinstall it.



Removing the fruit and vegetable crispers

The vegetable crisper drawer is designed to store fruits and vegetables. Storing fruits and vegetables inside the drawer helps to prevent moisture loss and odours from affecting other foods.

1. Fully open the fresh food compartment door.
2. Remove the vegetable crisper, then lift it up to remove.
3. To replace the crisper, slide the back of the drawer into the opening, then lower the front and push it into the opening.



Cleaning the refrigerator

⚠ WARNING

To avoid damaging the finish:

- Do not use gasoline, benzene, thinner or other similar solvents.
- Do not use abrasive cleaners.
- Do not use sharp objects, as they will scratch the surface.

It is recommended to do the following each time the refrigerator is cleaned, so that it operates odourless and efficiently:

1. Unplug the refrigerator from the outlet.
2. Remove all food.
- 3 To remove the door bins, shelves, crisper or freezer bins, refer to :
 - Adjusting door bins on page 14
 - Adjusting fresh food compartment shelves on page 13
 - Removing fruit and vegetable crispers on page 14

4. Clean doors, handles and cabinet surfaces with a mild detergent and rinse with warm water using a sponge or damp cloth.
5. Wash the inside with a damp warm cloth, soaked in a solution made with a quarter of warm water and two tablespoons of baking soda, then rinse with warm water with a sponge or damp cloth.
6. Clean the bins, shelves and drawers with detergent and a soft cloth, then rinse with hot water.
7. Make sure to keep the door seals clean, so that the door closes tightly. This allows the refrigerator to operate efficiently.

⚠ CAUTION

Make sure that the door bins are completely dry before plugging the refrigerator into an AC outlet.

8. Dry all surfaces and removable parts before replacing them.
9. Plug the refrigerator into the power outlet.

Defrosting the refrigerator

This refrigerator is equipped with an automatic defrost system that does not require defrosting. Frost that forms due to seasonal changes can be removed manually by unplugging the refrigerator or wiping the freezer compartment with a dry cloth.

If the refrigerator will not be used for a long period of time (several months)

1. Turn off the refrigerator and unplug it from the wall outlet.
2. Remove all food.
3. Clean the refrigerator.
4. Leave the door slightly ajar to avoid possible condensation, mould or odor formation.

⚠ CAUTION

Be very careful with children. Do not let children play with the refrigerator.

Moving the refrigerator

1. Turn off the refrigerator and unplug it from the wall outlet.
2. Remove all food.
3. Attach all removable parts inside the refrigerator using adhesive tape.
4. Secure door closed with adhesive tape.
5. Ensure that the refrigerator is in its upright position (with a maximum inclination of 45°) during transportation.

Tips to save energy

- Install the refrigerator in the coolest part of the room, away from heat-producing appliances or heating pipes and away from direct sunlight.
- Allow hot food to cool down to room temperature before placing it in the refrigerator. Overloading the refrigerator forces the compressor to run longer.
- Wrap foods properly and wipe containers dry before placing them in the refrigerator. This prevents frost build-up inside the refrigerator.
- Organize and label food to reduce door openings and extended searches.
- Do not use aluminum foil, wax paper or paper towels to coat shelves. Coatings interfere with the circulation of cold air, making the refrigerator less efficient.

Tips for storing food

- Always store cooked meats on a shelf above raw meats to avoid bacteria transfer. Store raw meat on a plate that is large enough to collect juices and cover the plate with plastic film or aluminum foil. Leave space around food. This allows cold air to circulate around the refrigerator, so that all parts of the refrigerator remain fresh.
- To avoid odour transfer and drying food, wrap or cover each food separately. Fruits and vegetables do not need to be packaged.
- Allow hot food to cool down before placing it in the fresh food or freezer compartment. If hot food is placed into the refrigerator, this could affect other foods and generate higher temperatures.
- To prevent cold air from escaping, try to limit door openings. When arriving home with purchases, sort foods that will be stored in the fresh food or freezer compartments before opening the door. Do not open the door except to place or remove food.
- Do not store foods that degrade easily at low temperatures, such as bananas and melons.
- When storing food in the refrigerator, use containers with lids as much as possible. This prevents moisture from evaporating and helps foods retain their taste and nutrients.
- Frozen food must be kept packed with polyethylene film, foil or any other type of storage product in the freezer compartment.
- Do not obstruct the ventilation vents with food in the compartments. A smooth flow of fresh air helps the refrigerator and freezer to maintain stable temperatures.
- Do not open doors frequently. When the door is open, hot air enters the compartments and can raise the temperature.
- To easily adjust the temperature, do not store food near the temperature control pads.
- Never store too much food in the door shelves as this may prevent the door from closing properly.
- Do not store bottles in the freezer. They could break when they freeze.
- Do not freeze food that has already been thawed. This would cause loss of taste and nutritional values.
- Store fruits and vegetables in the crisper to avoid excessive evaporation of water and freshness.
- Leave a small amount of "air space" when freezing liquids to allow them to expand.
- To optimize the freezer space, freeze liquids (or solids with liquid, such as stews) in square spaces. Pour the liquid into a freezer bag placed in a square container and freeze it. When the liquid is frozen, remove the bag from the container and close the bag.

How to buy frozen products

- When purchasing frozen products, check the storage instructions on the packaging. Check the "Best Before" date. Do not use these foods after this date.
- Check the temperature of the frozen food cabinet in the store where the frozen food is purchased.
- Check that the packaging of frozen food is in perfect conditions.
- Always buy frozen products last, to prevent them from thawing during storage.
- Keep frozen food together during shopping and on the way home to keep them cold.
- Do not buy frozen food if it cannot be frozen immediately.
- When transporting frozen food, use special bags that can be purchased in most supermarkets and equipment stores. They allow frozen food to be kept frozen for longer.
- Freeze food in small quantities. They freeze faster and take less time to thaw.
- If freezing large quantities of fresh food, select a low temperature range. This will lower the temperature of the freezer so that food freezes more quickly. When the food is frozen, set the temperature back to normal mode.

Troubleshooting tips... Before calling for service.

Error indication

Note: The LED indicators mentioned here are the snowflakes on the control panel.

If an error is displayed, call the store where the refrigerator was purchased for technical assistance.

⚠ CAUTION User should not attempt to repair this unit himself. This would void the warranty.

Error code	State	Description of the problem
E1	LED 1 and 2 flashing	Error in the refrigerator temperature sensor.
E2	LED 1 and 5 flashing	Error in the freezer temperature sensor.
E5	LED 1 and 3 flashing	Defrost sensor error.
E6	LED 2 and 4 flashing	Communication error.
E7	LED 1 and 4 flashing	Error in the temperature circuit.

PROBLEM	SOLUTION
The refrigerator does not work.	<ul style="list-style-type: none"> ■ Check that the refrigerator is firmly connected to a working power outlet. ■ Check that the voltage of the power source is correct. The voltage of the refrigerator is indicated on the label on the back of the appliance. ■ Check household fuse or circuit breaker box and replace the fuse or reset the circuit breaker.
Fresh food compartment emits a bad smell.	<ul style="list-style-type: none"> ■ Make sure that foods having a strong odor (such as onions) are wrapped and stored in airtight packages. ■ Some containers and packaging materials (such as paper, foil or plastic) can be a source of odors. If this could be the case, try to use containers or packaging materials of a different brand. ■ Check for and remove any spoiled food. ■ Clean the inside of the refrigerator. See Cleaning the refrigerator on page 16.
The refrigerator doors do not close completely.	<ul style="list-style-type: none"> ■ Check that no food packaging interferes with the door closure. ■ Make sure that door gaskets are clean. See Cleaning the refrigerator on page 16. ■ If the door gasket is not tight enough, try heating and then cooling it. It is possible to use an electric hair dryer to heat the gasket. ■ Check that the refrigerator is level. See Refrigerator Leveling on page 9.
The temperature is too high.	<ul style="list-style-type: none"> ■ Doors may have been left open too long or too frequently. ■ Make sure that there are no items preventing the doors from closing properly. ■ Adjust the temperature of the refrigerator or freezer compartments. See Temperature Setting on page 14 or Freezer Temperature Setting on page 15. ■ The refrigerator may not have enough clearances from the walls or ceiling. See Provide appropriate ventilation on page 8.
The temperature is too low.	<ul style="list-style-type: none"> ■ Adjust the temperature of the refrigerator or freezer compartments. See Temperature Setting on page 14 or Freezer Temperature Setting on page 15.

Troubleshooting tips... Before calling for service.

PROBLEM	SOLUTION
A layer of ice forms in one of the compartments.	<ul style="list-style-type: none"> ■ A layer of frost can form on the interior walls of the compartment if the freezer is opened frequently or kept open for too long. ■ Check that air intakes are not blocked by food. ■ Check that the doors are properly closed.
The refrigerator door is difficult to open or close.	<ul style="list-style-type: none"> ■ When the refrigerator door is open, warm air enters. When the door is closed, hot air enters the condenser, creating a vacuum effect. This is why the door is difficult to open for about 10 to 15 seconds after closing. ■ If the door is difficult to open under other conditions, try applying a coat of paraffin or vaseline to the edges of the door gasket. Paraffin is used for canning and can be used safely in the vicinity of food. ■ If it is difficult to close the door, try to loosen the door hinge tension slightly.
The compressor runs for a long time or turns on and off frequently.	<p>The compressor runs longer if:</p> <ul style="list-style-type: none"> ■ The room temperature is high; ■ A significant amount of food has just been added. Wait until the food is frozen and check again; ■ The door is opened and closed frequently; ■ The door gasket is dirty. Clean the gasket. See <i>Cleaning the refrigerator</i> on page 16. ■ The refrigerator has been unplugged for a period of time. Wait until the refrigerator cools down (about four hours) before adding food. ■ The temperature is set too low.
The water tray overflows.	<ul style="list-style-type: none"> ■ There may be too much foods in the refrigerator, or the water content of the food is too high, resulting in significant defrosting. ■ Check that doors are properly closed to avoid thawing inside the refrigerator or freezer.
The refrigerator makes unusual noises or vibrations.	<p>The following sounds are normal:</p> <ul style="list-style-type: none"> ■ Compressor operating noises. ■ Noise caused by the air movement of the small fan motor in the freezer compartment or other compartments. ■ Cracking during automatic defrosting. ■ Clicking noise before the compressor starts. <p>Unusual noises or vibrations may be heard:</p> <ul style="list-style-type: none"> ■ If objects are placed on top of the refrigerator. Remove them. ■ The refrigerator is not level. See <i>Refrigerator Leveling</i> on page 9. ■ If the refrigerator touches the walls. Keep it away from the walls. ■ Check that the shelves or drawers are properly installed.
The exterior of the refrigerator is hot.	<p>Heat dissipation of the capacitor can be responsible for a sensation of heat from the outside. This is normal and occurs if:</p> <ul style="list-style-type: none"> ■ The room temperature is high; ■ Too much food inside the refrigerator. ■ Doors are too frequently opened and closed.
Condensation forms on the exterior surface the refrigerator.	<ul style="list-style-type: none"> ■ Condensation on the exterior surface and the door gasket is normal when the room humidity is high. ■ When the door is open, the heat and humidity from the outside air meets the cold air from inside the refrigerator. This is normal.

Please place in envelope and mail to:
Veuillez mettre dans une enveloppe et envoyez à:

**OWNERSHIP REGISTRATION
P.O. BOX 1780
MISSISSAUGA, ONTARIO
L4Y 4G1**

**(FOR CANADIAN CONSUMERS ONLY -
POUR RÉSIDENTS CANADIENS SEULEMENT)**



For Canadian
Customers



Pour les
Consommateurs
Canadiens

CUT ALONG THIS LINE AND RETURN CARD - THANKS
DÉCOUPEZ ICI ET ENVOYEZ LA FICHE - MERCI

OWNERSHIP REGISTRATION CERTIFICATE – FICHE D'INSCRIPTION DU PROPRIÉTAIRE

Please register your product to enable us to contact you in the remote event a safety notice is issued for this product and to allow for efficient communication under the terms of your warranty, should the need arise.

Veillez enregistrer votre produit afin de nous permettre de communiquer avec vous si jamais un avis de sécurité concernant ce produit était émis et de communiquer facilement avec vous en vertu de votre garantie, si le besoin s'en fait sentir.

REGISTER ON-LINE: www.geappliances.ca

MAIL TO: **P.O. BOX 1780, MISSISSAUGA**

ENREGISTREMENT SUR INTERNET À : www.electromenagersge.ca

POSTEZ À : **ONTARIO, L4Y 4G1**

<input type="checkbox"/> MR. / M	<input type="checkbox"/> MRS. / MME.	FIRST NAME / PRÉNOM		LAST NAME / NOM	
<input type="checkbox"/> MISS/MLE.	<input type="checkbox"/> MS.				
STREET NO / N° RUE		STREET NAME / RUE			APT.NO/APP/RR#
CITY / VILLE			PROVINCE	POSTAL CODE/CODE POSTAL	
AREA CODE/IND. RÉG.	TELEPHONE/TÉLÉPHONE		E-MAIL/COURRIEL		
DID YOU PURCHASE A SERVICE CONTRACT FOR THIS APPLIANCE? AVEZ-VOUS ACHETÉ UN CONTRAT DE SERVICE POUR CET APPAREIL?			YES/OUI <input type="checkbox"/>	IF YES/SI OUI : EXPIRATION	
			NO/NON <input type="checkbox"/>	Y/A	M D/J
NAME OF SELLING DEALER / NOM DU MARCHAND				MODEL / MODÈLE	
INSTALLATION DATE / DATE D'INSTALLATION		CORRESPONDENCE <input type="checkbox"/> ENGLISH		SERIAL / SÉRIE	
Y/A	M D/J	CORRESPONDANCE <input type="checkbox"/> FRANÇAIS			
<input type="checkbox"/> I do not wish to receive any promotional offers regarding this product. Je ne désire pas recevoir d'offres promotionnelles concernant ce produit.					

Warranty.

All warranty service provided by our Factory Service Centers, or an authorized Customer Care® technician. To schedule service, contact us at 1.800.561.3344. Please have serial number and model number available when calling for service.

For The Period Of:	Mabe Will Replace:
One Year From the date of the original purchase	Any part of the refrigerator which fails due to a defect in materials or workmanship. During this limited one-year warranty, Mabe will also provide, free of charge, all labor and related service to replace the defective part.

Staple your receipt here. Proof of the original purchase date is needed to obtain service under the warranty.

What Mabe Will Not Cover:

- Service trips to your home to teach you how to use the product.
- Improper installation, delivery or maintenance.
- Failure of the product if it is abused, misused, or used for other than the intended purpose or used commercially.
- Loss of food due to spoilage.
- Damage caused after delivery.
- Replacement of house fuses or resetting of circuit breakers.
- Damage to the product caused by accident, fire, floods or acts of God.
- Incidental or consequential damage caused by possible defects with this appliance.
- Product not accessible to provide required service.

EXCLUSION OF IMPLIED WARRANTIES

Your sole and exclusive remedy is product repair as provided in this Limited Warranty. Any implied warranties, including the implied warranties of merchantability or fitness for a particular purpose, are limited to one year or the shortest period allowed by law.

This warranty is extended to the original purchaser and any succeeding owner for products purchased in Canada for home use within Canada. In-home warranty service will be provided in areas where it is available and deemed reasonable by Mabe to provide. If the product is located in an area where service by a GE Authorized Servicer is not available, you may be responsible for a trip charge or you may be required to bring the product to an Authorized GE Service location.

Warrantor: Mabe Canada Inc., Burlington, ON L7R 5B6

Consumer Support

Appliances Website

Have a question or need assistance with your appliance? Try the GE Appliances Website, any day of the year! For greater convenience and faster service, you can now download Owner's Manuals, order parts or even schedule service on-line at www.geappliances.ca

Schedule Service

Expert repair service is only one step away from your door. Get on-line and schedule your service at your convenience any day of the year! Or call **1.800.561.3344** during normal business hours.

Extended Warranties

Please consult your local listings for an extended warranty provider.

Parts and Accessories

Customers **in Canada** should consult the yellow pages for the nearest Mabe service center, visit our website or call 1.800.661.1616.

Contact Us

If you are not satisfied with the service you receive, contact us on our Website with all the details including your phone number, or write to: Director, Consumer Relations, Mabe Canada Inc.

Suite 310, 1 Factory Lane
Moncton, NB, E1C 9M3

Register Your Appliance

Register your new appliance on-line—at your convenience! Timely product registration will allow for enhanced communication and prompt service under the terms of your warranty, should the need arise. You may also mail in the pre-printed registration card included in the packing material. www.geappliances.ca.

Notes

à congélateur inférieur RÉFRIGÉRATEUR

INFORMATION DE SÉCURITÉ ... 2

Exigences de la mise à la terre 3

CONSIGNES D'INSTALLATION . 6

Avant l'utilisation du réfrigérateur 6

Trouver un emplacement approprié 6

Fournir une ventilation appropriée 6

Accès à une source d'alimentation appropriée ...
..... 7

Mise de niveau du réfrigérateur 7

Inversion des portes du réfrigérateur 8

UTILISATION DU REFRIGERATEUR 12

Mise en service du réfrigérateur 12

Utilisation du panneau de commandes 12

Réglage de la température 13

Réglage de la température du congélateur 13

Retrait du bac à légumes 14

SOIN ET NETTOYAGE 15

Entretien du réfrigérateur 15

Nettoyage du réfrigérateur 15

Dégivrage du réfrigérateur 15

Conseils pour ranger des aliments 16

CONSEILS DE DÉPANNAGE 18

GARANTIE 22

SERVICE À LA CLIENTÈLE 23

MANUEL D'UTILISATION ET D'INSTALLATION

MDE19DTNKWW

MDE19DSNKSS

Inscrivez ci-dessous les numéros
de modèle et de série:

N° de modèle _____

N° de série _____

CONSIGNES DE SÉCURITÉ IMPORTANTES.

LISEZ TOUTES LES INSTRUCTIONS AVANT D'UTILISER VOTRE APPAREIL

Introduction

Félicitations d'avoir acheté ce produit Insignia de haute qualité. Ces modèles représentent la dernière avancée technologique dans la conception de réfrigérateurs à congélateur inférieur et ont été conçus pour des performances et une fiabilité exceptionnelles.



Ce symbole indique qu'une tension dangereuse, constituant un risque de choc électrique, est présente dans ce réfrigérateur.



ATTENTION : RISQUE DE CHOC ÉLECTRIQUE. NE PAS OUVRIR

AVERTISSEMENT

Ce symbole indique que d'importantes instructions concernant le fonctionnement et l'entretien figurent dans la documentation qui accompagne cet appareil.

AVERTISSEMENT

- Lire ces instructions.
- Conserver ces instructions.
- Respecter tous les avertissements.
- Observer toutes les instructions.
- Ne pas utiliser ce réfrigérateur près de l'eau.
- Nettoyer uniquement avec un chiffon humide.
- Ne pas obstruer les ouvertures d'aération. Installer le produit conformément aux instructions du fabricant.
- Installer l'appareil à l'écart de sources de chaleur, telles que radiateurs, bouches de chaleur, fours ou autres appareils (y compris les amplificateurs) qui produisent de la chaleur.
- Ne pas chercher à modifier le dispositif de sécurité de la prise polarisée ou de type mise à la terre. Une prise polarisée comporte deux plots, un plus large que l'autre. Une prise de type mise à la terre est composée de deux plots et d'un troisième de mise à la terre. La lame large ou le troisième plot ont été prévus pour la sécurité de l'utilisateur. Si la prise fournie ne rentre pas dans la prise de courant, faire appel à un électricien pour qu'il remplace cette dernière qui est obsolète.
- Protéger le câble d'alimentation afin d'éviter qu'on ne marche dessus ou qu'il ne soit pincé, en particulier au niveau des prises secteur, des plaques multiprises et à l'endroit où il est raccordé au réfrigérateur.
- Ne pas essayer de modifier ou de prolonger le câble d'alimentation de ce réfrigérateur.
- Débrancher le réfrigérateur pendant les orages ou quand il n'est pas utilisé pendant une période prolongée.
- Vérifier que l'alimentation c.a. disponible correspond aux exigences de tension de ce réfrigérateur.
- Ne pas manipuler la prise avec les mains mouillées. Ce qui présenterait des risques de chocs électriques.
- Débrancher le câble d'alimentation en tenant la prise, jamais en le tirant.
- Mettre le réfrigérateur hors tension avant de le débrancher.
- Toutes les réparations doivent être réalisées par un personnel qualifié. Faire réparer l'appareil s'il a été endommagé, qu'il s'agisse du câble d'alimentation ou de la prise qui seraient détériorés, d'infiltration de liquide dans l'appareil ou de chute d'objets, d'une exposition à la pluie ou à l'eau, d'un fonctionnement anormal ou d'une chute.
- Afin de réduire le risque d'incendie et de choc électrique, ne pas exposer ce réfrigérateur à la pluie, à l'humidité, aux éclaboussures ou à des gouttes d'eau et ne pas placer de récipients remplis de liquide sur l'appareil.
- Ne pas utiliser de rallonge électrique ou d'adaptateurs non mis à la masse (deux plots). Si le câble d'alimentation est trop court, contacter un technicien qualifié pour installer une prise à côté du réfrigérateur. L'utilisation d'une rallonge peut avoir des effets négatifs sur le fonctionnement du réfrigérateur.
- Cet appareil n'est pas conçu pour être utilisé par des personnes (y compris des enfants) à capacités physiques, sensorielles ou intellectuelles réduites ou sans expérience et connaissances, à moins qu'elles ne soient sous surveillance ou bien qu'elles aient été informées quant à l'utilisation de l'appareil de manière sûre, par une personne responsable de leur sécurité.
- Les enfants doivent être surveillés pour s'assurer qu'ils ne jouent pas avec l'appareil.
- Si le câble d'alimentation a été endommagé, il doit être remplacé par le fabricant, son service d'assistance technique ou d'autres personnes disposant des qualifications requises, afin d'éviter tout danger.

CONSIGNES DE SÉCURITÉ IMPORTANTES.

LISEZ TOUTES LES INSTRUCTIONS AVANT D'UTILISER VOTRE APPAREIL

⚠ RISQUE DE CHOC ÉLECTRIQUE

L'inobservation de ces instructions peut être source de chocs électriques, d'incendies ou de blessures mortelles.

- Maintenir les ouvertures d'aération du réfrigérateur et de la structure intégrée à l'abri de toute obstruction.
- Ne pas toucher l'intérieur du réfrigérateur avec des mains humides. Une engelure pourrait s'ensuivre.
- Ne pas utiliser d'appareils mécaniques ou d'autres méthodes pour accélérer le processus de dégivrage, hormis celles indiquées par le fabricant.
- Ne pas endommager le circuit du réfrigérant.
- Ne pas endommager le tuyau du réfrigérant lors de la manipulation, du déplacement ou de l'utilisation du réfrigérateur.
- Ne jamais laisser les enfants jouer avec le réfrigérateur, le faire fonctionner ni y grimper.
- Ne pas utiliser d'appareils électroménagers à l'intérieur du compartiment de stockage de l'appareil, sauf s'ils sont du type recommandé par le fabricant.
- Connecter uniquement à une alimentation en eau potable.
- Débrancher le réfrigérateur avant d'en effectuer l'entretien.
- Si une pièce ou un élément a été endommagé, il doit être remplacé par le fabricant, son service d'assistance technique ou d'autres personnes disposant des qualifications requises, afin d'éviter tout danger.
- Observer la réglementation locale concernant la mise au rebut du réfrigérateur en raison du gaz et du réfrigérant inflammables. Tous les appareils de réfrigération contiennent des réfrigérants qui doivent être, sous les directives de la loi fédérale, enlevés avant la mise au rebut. C'est la responsabilité du consommateur de se conformer à la réglementation fédérale et locale lors de la mise au rebut de cet appareil.
- Ne pas ranger de substances explosives, telles que des boîtes d'aérosols avec un gaz propulseur inflammable, dans cet électroménager.
- Cet électroménager est prévu pour une utilisation à domicile et d'autres environnements tels que :
 - des zones de cuisine du personnel dans les magasins, des bureaux et tout autre environnement de travail;
 - dans des fermes et par des clients dans des hôtels, motels et autres environnements résidentiels;
 - des chambres d'hôtes;
 - un service traiteur et des applications similaires autres que la vente au détail.
- Pression minimale ou maximale de la pression d'eau dans le tuyau : 138/827 kPa (20/120 PSIG).

Un enfant risque d'être piégé à l'intérieur. Avant de mettre au rebut l'ancien réfrigérateur

- Enlever les portes
- Laisser les étagères en place pour éviter que les enfants ne puissent grimper à l'intérieur facilement

Exigences de la mise à la terre

Ce réfrigérateur doit être mis à la terre. Ce réfrigérateur est muni d'un câble électrique comportant un conducteur de terre et une prise de mise à la terre. La prise doit être insérée dans une prise de courant qui est correctement installée et mise à la terre.

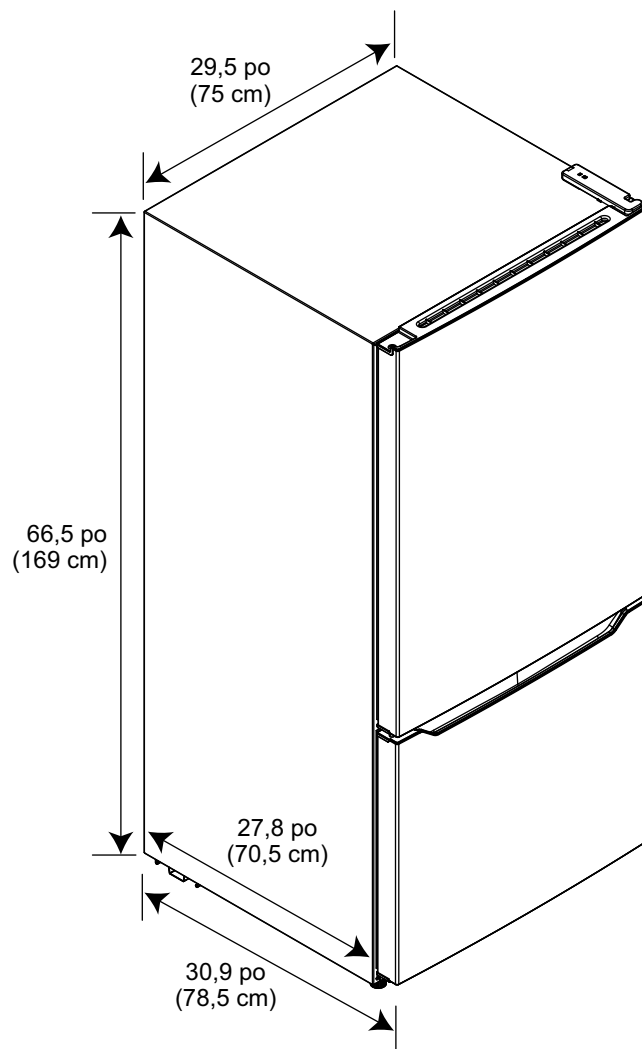
L'utilisation incorrecte de la prise de mise à la terre pourrait présenter un risque d'incendie ou de choc électrique. Vérifier avec un technicien qualifié ou un professionnel d'entretien si les instructions de mise à la terre ne sont pas totalement comprises ou en cas de doute sur la mise à la terre correcte du réfrigérateur.

CONSERVER CES INSTRUCTIONS

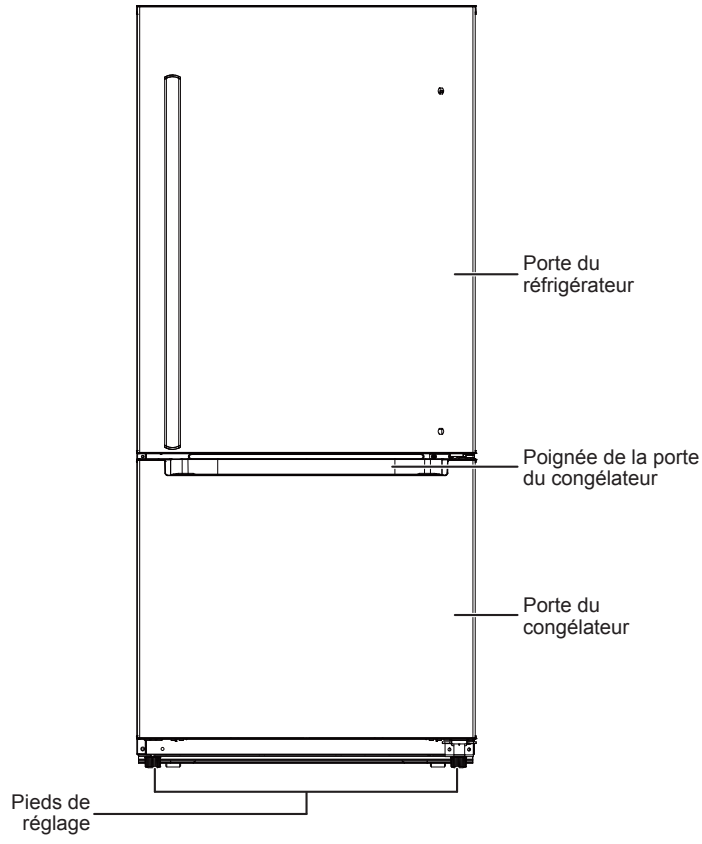
Caractéristiques

Remarque : Les illustrations de ce Guide de l'utilisateur sont fournies uniquement à titre de référence. Le produit réel peut être légèrement différent.

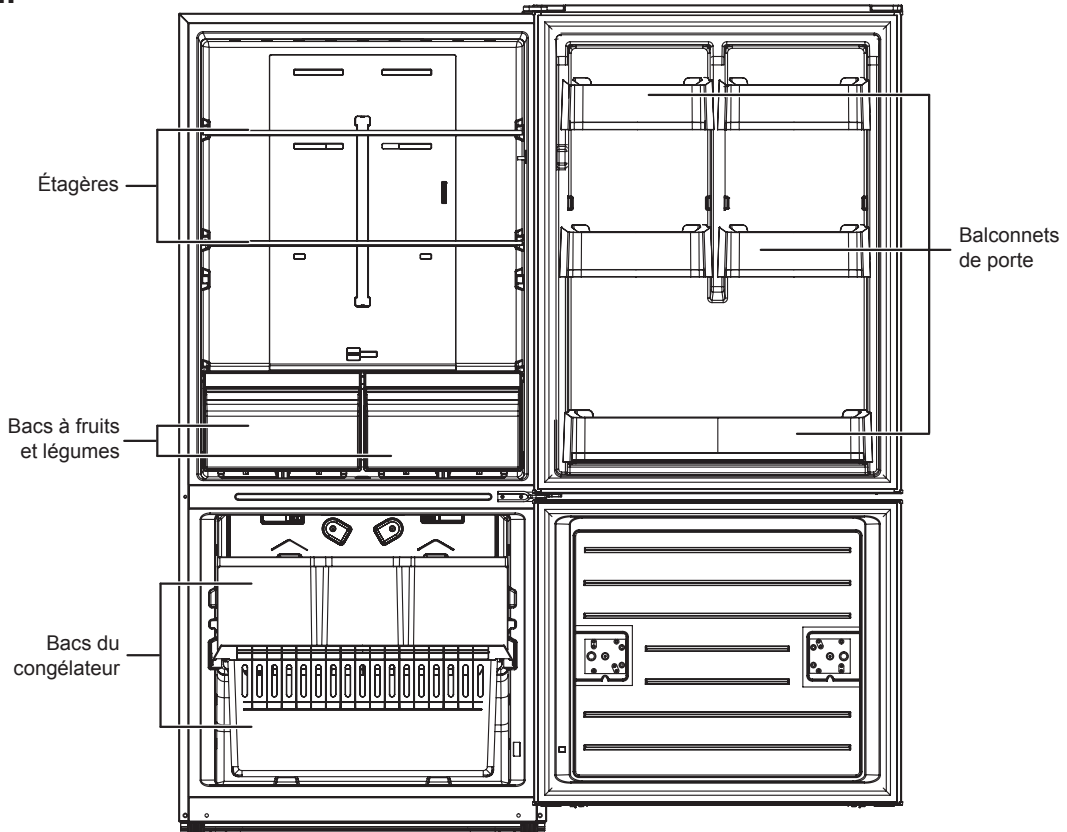
Dimensions du produit



Extérieur



Intérieur



Installation du réfrigérateur

Avant l'utilisation du réfrigérateur

- Enlever l'emballage extérieur et intérieur.
- Laver l'intérieur à l'aide d'un chiffon humide tiède, trempé dans une solution de bicarbonate de soude (deux cuillères à soupe dans un quart d'eau tiède), puis sécher avec un chiffon sec. Effectuer ce nettoyage périodiquement pour le conserver à l'état neuf.
- Mettre le réfrigérateur de niveau à l'aide des pieds de nivellement. Si le réfrigérateur n'est pas mis de niveau, il se peut que la porte ne se ferme pas ou ne soit pas hermétiquement close, ce qui pourrait être source de problèmes de réfrigération, de givre ou d'humidité. Tourner les pieds de nivellement dans le sens horaire pour élever ou antihoraire pour abaisser un des côtés.

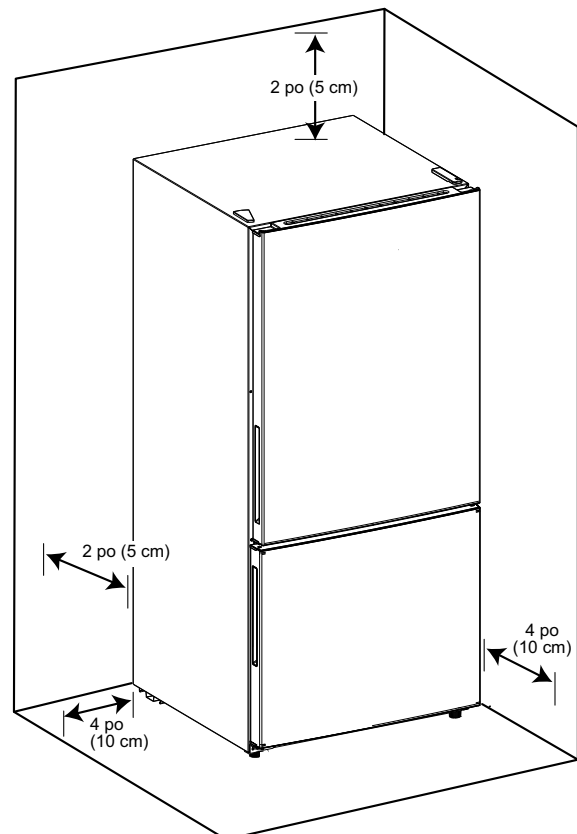
Trouver un emplacement approprié

- Placer le réfrigérateur sur un sol qui est assez solide pour le soutenir quand il est rempli.
- Ne pas installer le réfrigérateur sur une moquette ou un tapis.
- Ce réfrigérateur est conçu uniquement pour une installation autonome et ne doit pas être encastré ou intégré.
- Ne pas installer ce réfrigérateur dans un garage ou toute autre installation à l'extérieur.
- Régler les pieds pour maintenir le réfrigérateur de niveau.
- Si le réfrigérateur est disposé à proximité d'un mur, laisser un espace suffisant pour que la partie avec charnière de la porte puisse s'ouvrir sans problème.
- Installer le réfrigérateur à l'écart de la lumière directe du soleil et d'autres sources de chaleur, telles qu'un four, le chauffage ou un radiateur. La lumière directe du soleil peut endommager le revêtement acrylique et les sources de chaleur peuvent augmenter la consommation électrique. Des températures extrêmement froides peuvent aussi empêcher le réfrigérateur de fonctionner correctement.
- Éviter de placer le réfrigérateur dans des endroits humides.

Ce réfrigérateur a été conçu pour fonctionner à une température entre 50 °F (10 °C) et 109 °F (43 °C). Si le réfrigérateur fonctionne en dehors de cette plage de température, il peut ne pas fonctionner correctement.

Fournir une ventilation appropriée

Laisser un espace minimal de 4 po (10 cm) entre les murs latéraux gauche et droite et les murs environnants et un espace minimal de 2 po (5 cm) entre le dessus et le dos du réfrigérateur et le plafond et les murs environnants.



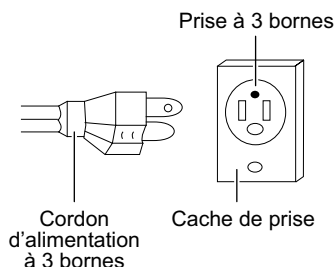
Accès à une source d'alimentation appropriée

Vérifier la source d'alimentation locale. Ce réfrigérateur requiert une alimentation de 115 V, 60 Hz.

⚠ AVERTISSEMENT

Vérifier que :

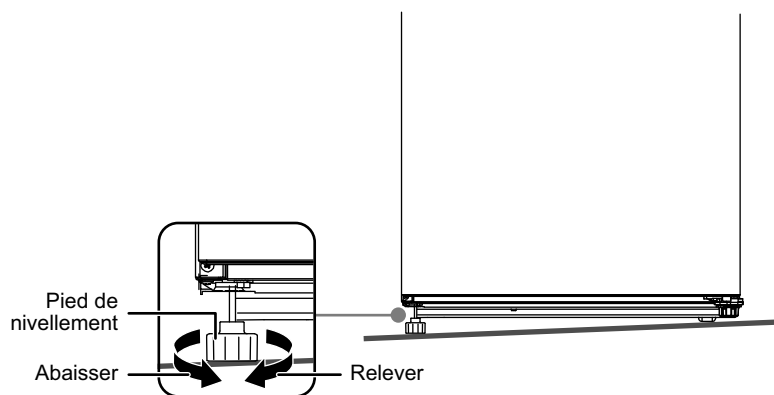
- Le cordon d'alimentation est compatible avec une prise à 3 bornes mise à la terre. La troisième borne de la prise du cordon d'alimentation met le réfrigérateur à la terre pour réduire le risque de choc électrique. Ne pas modifier le cordon d'alimentation.
- AUCUN autre appareil ne doit être branché sur la même prise que le réfrigérateur. Cela pourrait surcharger le circuit et être cause d'incendie.
- NE PAS utiliser de rallonge. Si le réfrigérateur est trop éloigné d'une prise de courant, le déplacer ou demander à un électricien d'installer une prise plus proche de celui-ci.
- La prise de courant ne doit pas pouvoir être mise hors tension à l'aide d'un interrupteur ou d'un cordon.



Utiliser un cordon d'alimentation ainsi qu'une prise à 3 bornes

Mise de niveau du réfrigérateur

La mise de niveau du réfrigérateur est importante. Si le réfrigérateur n'est pas mis de niveau, il se peut que les portes ne se ferment pas ou ne soient pas hermétiques, ce qui pourrait être cause de problèmes de réfrigération, de givre ou d'humidité.



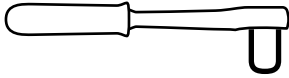
- Pour mettre le réfrigérateur de niveau, il est nécessaire de tourner le pied de mise de niveau dans le sens horaire pour le relever ou de le tourner dans le sens antihoraire pour l'abaisser.

Remarque : Les pieds peuvent être réglés plus facilement si quelqu'un pousse la partie supérieure du réfrigérateur afin de l'incliner légèrement.

Inversion des portes du réfrigérateur

ATTENTION Si le réfrigérateur est étendu sur la partie arrière ou sur le côté pendant une certaine période, attendre six heures après l'avoir rétabli verticalement pour le brancher. Dans le cas contraire, cela pourrait endommager les composants internes.

Les outils suivants sont nécessaires pour inverser la porte du réfrigérateur :



Clé à douille de 5/16 po



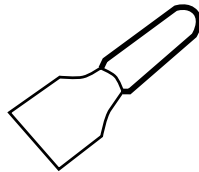
Tournevis cruciforme



Tournevis à lame plate



Ruban à masquer



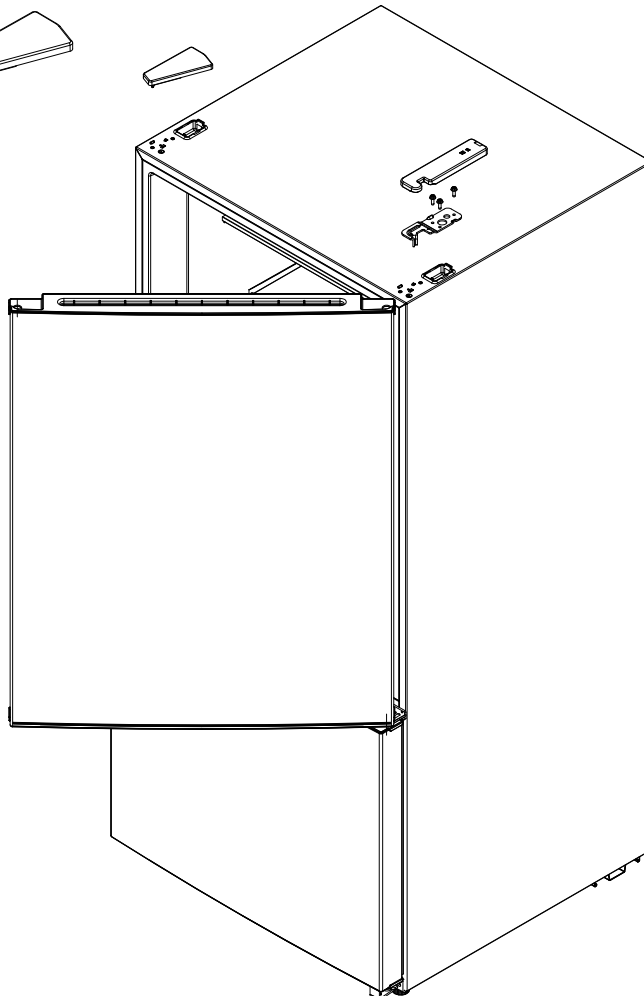
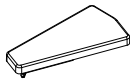
Couteau à mastic

Liste de ce qui est livré avec le réfrigérateur :

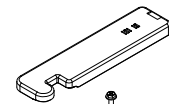
- Bloc d'auto-verrouillage du côté gauche.
- Butée d'ouverture du côté gauche.
- Charnière centrale du côté gauche.
- Charnière supérieure du côté gauche.
- Couvercle de charnière supérieure du côté gauche.

1. Vérifier que le réfrigérateur est débranché et vide.
2. Retirer le couvercle gauche et le couvercle de la charnière supérieure droite sur le haut du réfrigérateur.
3. Retirer les trois vis de fixation de la charnière supérieure du réfrigérateur, puis extraire la charnière. Conserver les vis pour les réutiliser.
4. Retirer la porte du compartiment du réfrigérateur de l'armoire.

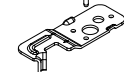
Couvercle



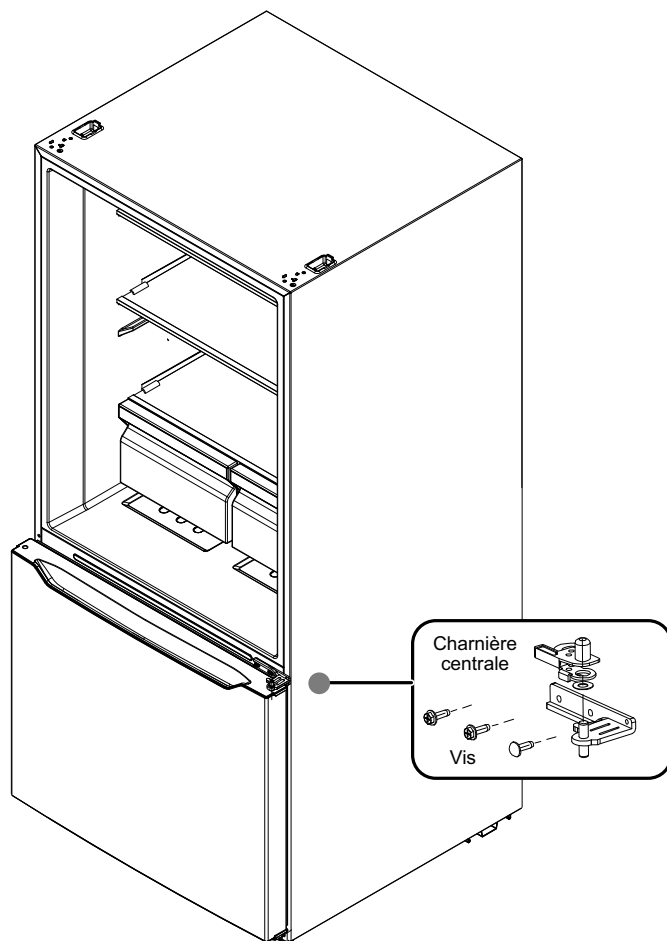
Couvercle de charnière



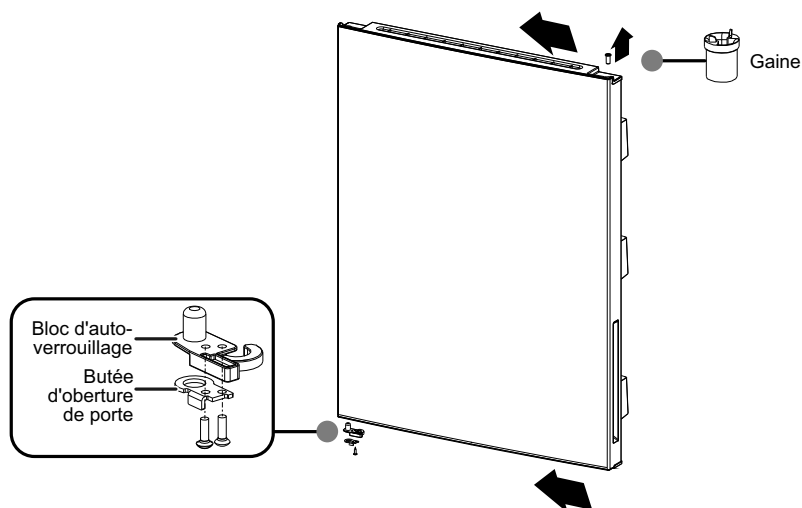
Vis



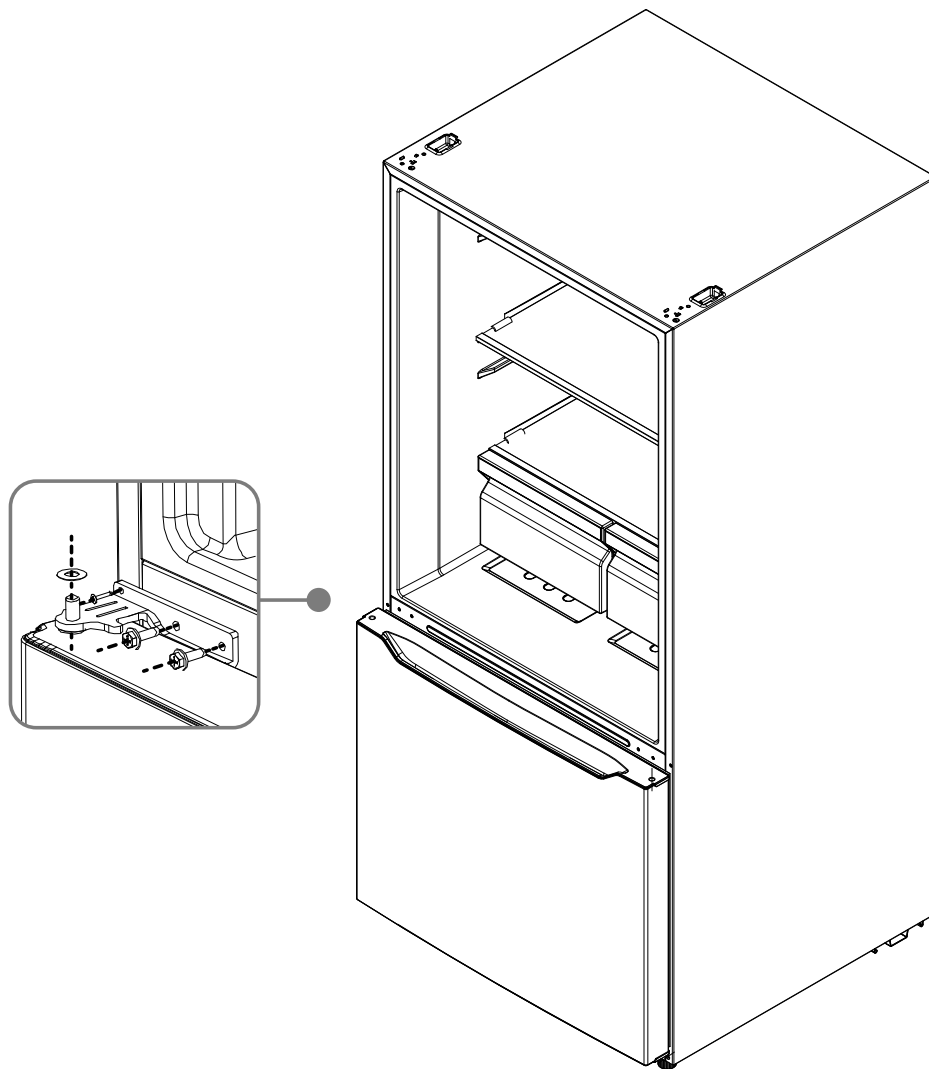
Charnière supérieure



5. Retirer les trois vis de fixation de la charnière centrale du réfrigérateur, puis extraire la charnière centrale. Conserver les vis pour les réutiliser.
6. Retirer les gaines et les caches des orifices de la porte du réfrigérateur, puis les installer sur l'autre côté de la porte.
7. Prendre le bloc d'auto-verrouillage et la butée de la poche d'accessoires et les installer sur la partie inférieure gauche de la porte du réfrigérateur tel qu'illustré ci-après.

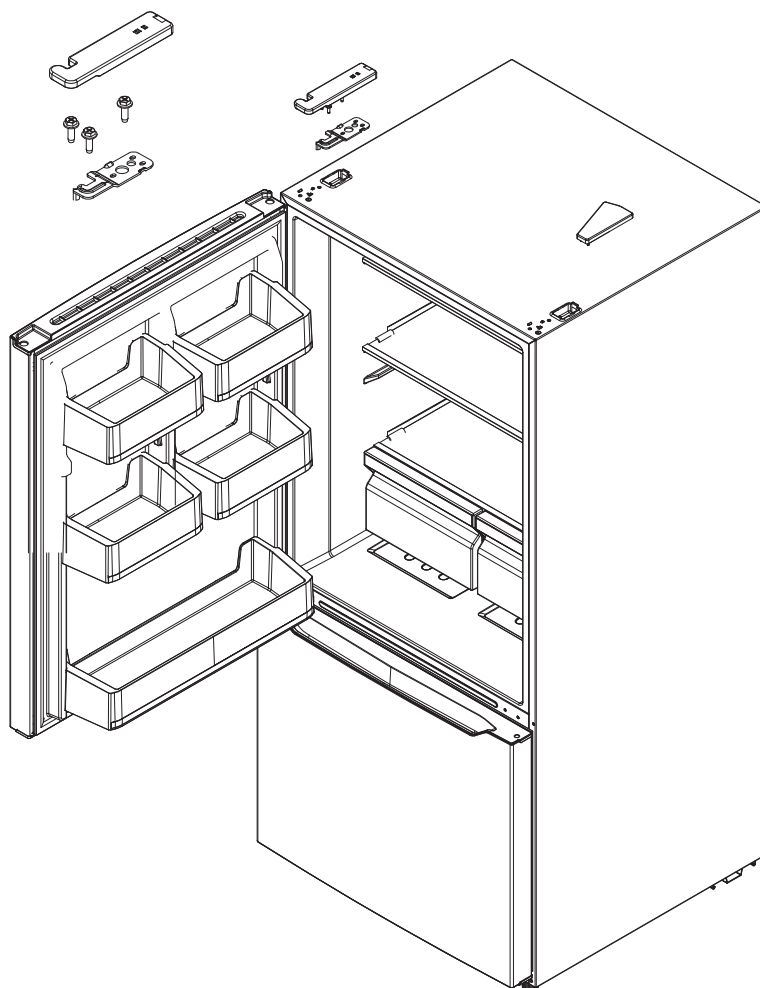


8. Prendre la charnière centrale du côté gauche de la poche d'accessoires et l'installer sur le côté gauche central du réfrigérateur avec les vis retirées précédemment et le tenon de la gaine de porte de la porte du congélateur. Mettre la rondelle incluse sur la partie supérieure du tenon de la charnière centrale.



9. Insérer la butée d'ouverture de porte sur la partie inférieure gauche du réfrigérateur, dans le tenon de charnière installé dans la partie centrale du côté gauche du réfrigérateur.

10. Prendre la charnière supérieure du côté gauche de la poche d'accessoires et l'installer sur le côté gauche supérieur du réfrigérateur avec les vis retirées précédemment et le tenon de la gaine de porte de la porte du réfrigérateur.

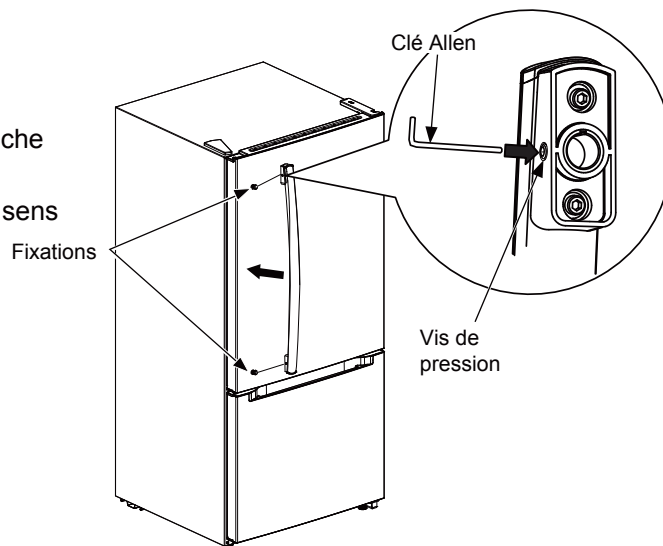


11. Installer le cache de la charnière sur le côté gauche du réfrigérateur et le cache de l'orifice sur le côté droit.

Poignée de Porte

La forma de asidero puede variar en su modelo.

1. Aligner la poignée sur les fixations.
2. Pousser la poignée sur les fixations jusqu'à ce qu'elle touche la porte.
3. Utilisez la clé Allen pour tourner la vis de réglage dans le sens horaire pour fixer la poignée à la porte.



Caractéristiques

Mise en service du réfrigérateur

⚠ AVERTISSEMENT

- Les températures internes peuvent varier en fonction de l'emplacement du réfrigérateur, la température ambiante de la pièce et de la fréquence d'ouverture des portes.
- Ne pas stocker des boissons effervescentes dans le compartiment du congélateur. Elles pourraient se briser et endommager le réfrigérateur.
- Ne pas dépasser la période de stockage indiquée par le fabricant, quelque soit le type d'aliment.

Quand le réfrigérateur est branché pour la première fois, le témoin de température s'allume pendant trois secondes, puis le réfrigérateur fonctionne en mode moyen par défaut.

Avant de stocker des aliments dans le réfrigérateur, mettre en marche les compartiments du réfrigérateur et du congélateur et attendre 24 heures, afin d'être certain qu'ils fonctionnent correctement et pour permettre que les deux compartiments atteignent les températures correctes.

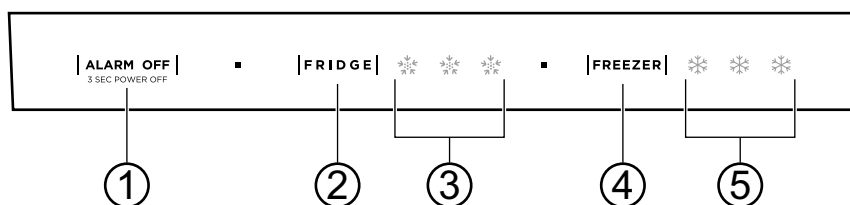
Désactivation de l'alarme de porte ouverte

Quand la porte du compartiment du réfrigérateur est ouverte pendant plus de trois minutes, une alarme se fait entendre.

Appuyer sur le bouton ALARM OFF (Alarme désactivée) dans le compartiment du réfrigérateur, afin de désactiver l'alarme.

Quand la porte est fermée, l'alarme est désactivée.

Utilisation du panneau de commandes



N°	ÉLÉMENT	DESCRIPTION
1	Bouton ALARM OFF /arrêt/marche	<ul style="list-style-type: none"> ■ Permet de désactiver l'alarme de la porte. ■ Appuyer sur ce bouton pendant trois secondes pour mettre le réfrigérateur ou le congélateur en mode ATTENTE. Appuyer sur ce bouton pendant trois secondes pour remettre le réfrigérateur ou le congélateur en marche.
2	Bouton du RÉFRIGÉRATEUR	Permet de parcourir les réglages de la température du réfrigérateur.
3	Témoins du réfrigérateur	De un à trois témoins lumineux indiquent les réglages de la température du réfrigérateur. <ul style="list-style-type: none"> • Un témoin lumineux = 45 °F (7 °C) • Deux témoins lumineux = 39 °F (4 °C) • Trois témoins lumineux = 36 °F (2 °C)
4	Bouton du CONGÉLATEUR	Permet de parcourir les réglages de la température du congélateur.
5	Témoins du congélateur	De un à trois témoins lumineux indiquent les réglages de la température du congélateur. <ul style="list-style-type: none"> • Un témoin lumineux = 9 °F (- 13 °C) • Deux témoins lumineux = - 2 °F (- 19 °C) • Trois témoins lumineux = - 8 °F (- 2 °C)

Mode ATTENTE

Si le compartiment du réfrigérateur est réglé sur le mode ATTENTE (Arrêt), les compartiments du réfrigérateur et du congélateur arrêtent de refroidir. Le témoin lumineux du compartiment du réfrigérateur continue de fonctionner.

ATTENTION Si le compartiment du réfrigérateur est réglé sur le mode ATTENTE (Arrêt), retirer tous les aliments des deux compartiments pour éviter la détérioration des aliments.

Réglage de la température

Appuyer sur le bouton FRIDGE (Réfrigérateur) pour parcourir les réglages de la température du réfrigérateur.

Un témoin lumineux correspond à la température la plus chaude. Trois témoins lumineux correspondent à la température la plus froide.

Détermination du meilleur mode de température

SAISON	TEMPÉRATURES CONSEILLÉES
En été (plus que 95 °F (35 °C))	Un témoin lumineux
Printemps ou automne (de 56 à 94 °F (13 à 34 °C))	De un à trois témoins lumineux
En hiver (plus bas que 55 °F (13 °C))	Trois témoins lumineux

Réglage de la température du congélateur

Appuyer sur le bouton FREEZER (Congélateur) pour parcourir les réglages de la température du congélateur.

Un témoin lumineux correspond à la température la plus chaude. Trois témoins lumineux correspondent à la température la plus froide.

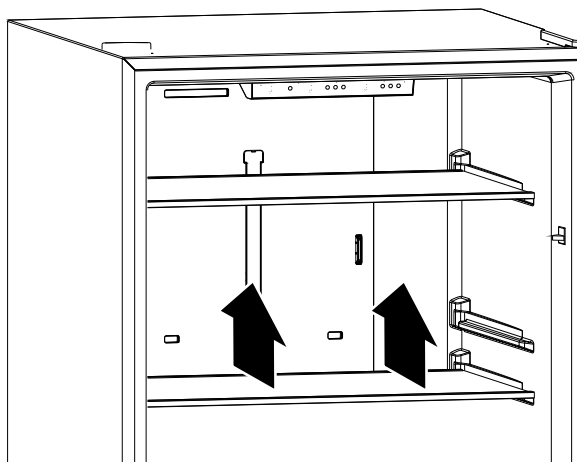
Détermination du meilleur mode de température

SAISON	RÉGLAGES CONSEILLÉS
En été (plus que 95 °F (35 °C))	Trois témoins lumineux
Automne ou fin de l'année (de 56 à 94 °F (13 à 34 °C))	De un à trois témoins lumineux
En hiver (plus bas que 55 °F (13 °C))	Un témoin lumineux

Réglage des étagères du réfrigérateur

Les étagères à l'intérieur du compartiment du réfrigérateur et du congélateur sont réglables.

1. Ouvrir complètement la porte du réfrigérateur ou du congélateur.
2. Soulever une étagère et l'extraire.
3. Pour remettre une étagère, la faire glisser dans le compartiment, puis l'abaisser dans sa position.

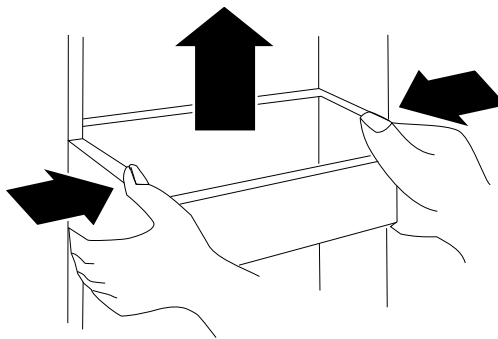


Réglage des balconnets de porte

⚠ ATTENTION Ne pas disposer trop de produits lourds dans les balconnets de porte. Cela pourrait briser les balconnets.

Les compartiments du réfrigérateur et du congélateur ont des balconnets dans la porte. Il est possible de régler les balconnets pour s'ajuster aux produits entreposés.

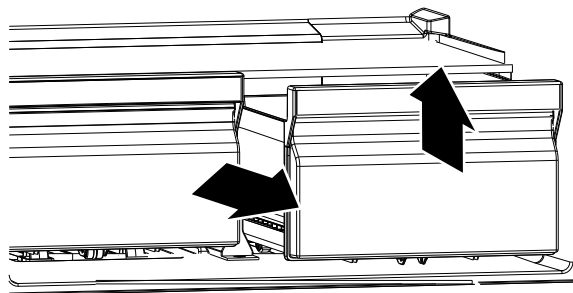
1. Retirer tous les produits des balconnets.
2. Maintenir le balconnet de porte avec les deux mains, puis faire pression sur le balconnet en le poussant vers le haut et le retirer.
3. Sélectionner le niveau souhaité pour positionner le balconnet, puis faire pression sur le balconnet en le poussant vers le bas pour le réinstaller.



Retrait du bac à légumes

Le bac à légumes est conçu pour ranger les fruits et les légumes. Ranger les fruits et les légumes à l'intérieur du tiroir permet d'éviter la perte d'humidité et que les odeurs affectent d'autres aliments.

1. Ouvrir complètement la porte du compartiment du réfrigérateur.
2. Sortir le bac à légumes, puis le soulever pour l'extraire.
3. Pour remettre le bac à légumes, faire glisser l'arrière du tiroir dans l'ouverture, puis abaisser le devant pour le pousser dans l'ouverture.



Entretien du réfrigérateur

Nettoyage du réfrigérateur

⚠ AVERTISSEMENT

Pour éviter d'endommager la finition :

- Ne pas utiliser d'essence, de benzène, de diluant ni d'autres solvants similaires.
- Ne pas utiliser de nettoyeurs abrasifs.
- Ne pas utiliser d'objets acérés, car ils rayeront vraisemblablement la surface.

Il est recommandé d'effectuer ce qui suit chaque fois que le réfrigérateur est nettoyé, afin qu'il fonctionne sans odeur et de façon efficace :

1. Débrancher le réfrigérateur de la prise de courant.
2. Retirer tous les aliments.
3. Pour retirer les balconnets de porte, les étagères, le bac à légumes ou les balconnets de la porte du congélateur, se reporter à :
 - Réglage des balconnets de porte à la page 14
 - Réglage des étagères du réfrigérateur à la page 13
 - Retrait du bac à légumes à la page 14

4. Nettoyer les portes, les poignées et les surfaces de l'armoire à l'aide d'un détergent doux, puis rincer avec de l'eau chaude à l'aide d'une éponge essorée ou d'un chiffon.
5. Laver l'intérieur à l'aide d'un chiffon humide tiède, trempé dans une solution d'un quart d'eau tiède et de deux cuillères de table de bicarbonate de soude, puis rincer à l'eau tiède avec une éponge ou un chiffon essoré.
6. Nettoyer les balconnets, les étagères et les tiroirs à l'aide de détergent et d'un chiffon doux, puis les rincer avec de l'eau chaude.
7. S'assurer de conserver les joints de la porte propre, afin que la porte se ferme hermétiquement. Cela permet un fonctionnement efficace du réfrigérateur.

⚠ ATTENTION Vérifier que les balconnets de porte sont complètement secs avant de brancher le réfrigérateur sur une prise de courant.

8. Sécher toutes les surfaces et les éléments amovibles avant de les remettre en place.
9. Rebrancher le réfrigérateur dans la prise de courant.

Dégivrage du réfrigérateur

Le réfrigérateur à dégivrage automatique ne requiert pas de dégivrage. Le givre qui se forme en raison des changements de saison peut être retiré manuellement en débranchant le réfrigérateur ou en essuyant le compartiment du congélateur avec un torchon sec.

Mise hors service du réfrigérateur pour une longue période (plusieurs mois)

1. Éteindre le réfrigérateur et le débrancher de la prise de courant.
2. Retirer tous les aliments.
3. Nettoyer le réfrigérateur.
4. Laisser la porte légèrement entrouverte pour éviter la formation éventuelle de condensation, de moisissure ou d'odeur.

⚠ ATTENTION Être très prudent avec les enfants. Ne pas laisser les enfants jouer avec le réfrigérateur.

Déplacement du réfrigérateur

1. Éteindre le réfrigérateur et le débrancher de la prise de courant.
2. Retirer tous les aliments.
3. Fixer tous les éléments amovibles à l'intérieur du réfrigérateur avec du ruban adhésif.
4. Fixer la porte fermée avec du ruban adhésif.
5. S'assurer que le réfrigérateur est en position verticale (avec une inclinaison maximale de 45°) pendant le transport.

Conseils pour économiser de l'énergie

- Installer le réfrigérateur dans l'endroit le plus frais de la pièce, à l'écart des électroménagers produisant de la chaleur ou des tuyauteries de chauffage et à l'abri de la lumière directe du soleil.
- Laisser les aliments chauds se refroidir à la température ambiante avant de les placer dans le réfrigérateur. Surcharger le réfrigérateur force le compresseur à fonctionner plus longtemps.
- Envelopper les aliments correctement et essuyer les récipients pour qu'ils soient secs avant de les placer dans le réfrigérateur. Cela empêche l'accumulation de givre à l'intérieur du réfrigérateur.
- Organiser et étiqueter les aliments pour réduire les ouvertures de la porte et les recherches prolongées.
- Ne pas utiliser de feuilles d'aluminium, de papier paraffiné ou de papier essuie-tout pour revêtir les étagères. Les revêtements interfèrent avec la circulation d'air froid, ce qui rend le réfrigérateur moins efficace.

Conseils pour ranger des aliments

- Toujours ranger les viandes cuites sur une étagère au-dessus des viandes crues pour éviter les transferts de bactéries. Conserver les viandes crues sur un plat qui est suffisamment large pour collecter les jus et couvrir le plat avec un film plastique ou une feuille d'aluminium. Laisser de l'espace autour des aliments. Cela permet à l'air froid de circuler autour du réfrigérateur, afin que tous les éléments du réfrigérateur restent frais.
- Pour éviter les transferts d'odeurs et que les aliments sèchent, entourer ou couvrir chaque aliment séparément. Les fruits et les légumes n'ont pas besoin d'être emballés.
- Laisser les aliments chauds se refroidir avant de les placer dans le compartiment du réfrigérateur ou du congélateur. Si des aliments chauds sont placés dans le réfrigérateur ou congélateur, cela pourrait affecter les autres aliments et générer des températures plus élevées.
- Pour éviter que l'air froid ne s'échappe, essayer de limiter le nombre de fois que les portes sont ouvertes. Lors du retour des achats, répartir les aliments qui seront conservés dans le compartiment du réfrigérateur avant d'ouvrir les portes. N'ouvrir la porte que pour mettre ou retirer des aliments.
- Ne pas ranger des aliments qui se dégradent facilement à basse température, tels que les bananes et les melons.
- Lors du rangement des aliments dans le réfrigérateur, utiliser autant que possible un récipient avec un couvercle. Cela empêche l'humidité de s'évaporer et aide les aliments à conserver leur goût et nutriments.
- Les aliments congelés doivent être conservés emballés dans un film de polyéthylène, du papier aluminium ou tout autre type de produits de stockage dans le compartiment du congélateur.
- Ne pas obstruer les ventilations d'aération avec les aliments dans les compartiments. Une circulation fluide de l'air frais aide le réfrigérateur et le congélateur à conserver une température stable.
- Ne pas ouvrir les portes fréquemment. Quand la porte est ouverte, l'air chaud entre dans les compartiments et peut faire monter la température.
- Pour régler facilement la température, ne pas ranger des aliments près des boutons de contrôle de la température.
- Ne jamais conserver trop d'aliments dans les étagères de la porte, car cela pourrait empêcher celle-ci de bien se fermer.
- Ne pas stocker des bouteilles dans le congélateur. Elles pourraient se briser quand elles sont congelées.
- Ne pas recongeler des aliments qui ont été décongelés. Cela serait une cause de perte de goût et des valeurs nutritives;
- Ranger les fruits et les légumes dans le bac à légumes pour éviter une évaporation excessive de l'eau et de la fraîcheur.
- Laisser une petite quantité « d'espace d'air » lors de la congélation de liquides pour permettre leur expansion.
- Pour optimiser l'espace du congélateur, congeler les liquides (ou les solides avec du liquide, tels que les ragoûts) dans des espaces carrés. Verser le liquide dans une poche pour le congélateur placée dans un récipient carré et le congeler. Quand le liquide est congelé, retirer la poche du récipient et fermer le sac.

Conseils pour magasiner les produits congelés

- Lors de l'achat de produits congelés, vérifier les indications relatives au stockage sur l'emballage. Vérifier la date « Meilleur avant ». Ne pas utiliser ces aliments après cette date.
- Vérifier la température de l'armoire des aliments congelés dans le magasin où sont achetés les aliments congelés.
- Vérifier que l'emballage des aliments congelés est en parfaite condition.
- Toujours acheter des produits congelés en dernier, pour éviter qu'ils se décongèlent pendant le magasinage.
- Conserver les aliments congelés ensemble pendant le magasinage et le trajet jusqu'au domicile pour leur permettre de rester au froid.
- Ne pas acheter d'aliments congelés s'ils ne peuvent pas être congelés immédiatement.
- Lors du transport d'aliments congelés, utiliser des sacs spéciaux pour produits congelés qui peuvent être achetés dans la majorité des supermarchés et des magasins de matériel. Ils permettent de conserver les aliments congelés plus longtemps.
- Congeler les aliments en petites quantités. Ils se congèlent plus rapidement et prennent moins de temps pour se décongeler.
- En cas de congélation de grandes quantités d'aliments frais, sélectionner une gamme de température basse. Cela abaissera la température du congélateur afin que les aliments se congèlent plus rapidement. Quand les aliments sont congelés, régler la température de nouveau au mode normal.

Conseils de dépannage... Avant d'appeler le service.

Indication d'erreur

Remarque : Les témoins à DEL mentionnés ici sont les flocons de neige du panneau de commandes.

Si une erreur est affichée, appeler le magasin où a été acheté le réfrigérateur pour toute assistance technique.

⚠ ATTENTION L'utilisateur ne doit pas essayer de réparer cet appareil lui-même. Cela annulerait la garantie.

Code d'erreur	État	Description du problème
E1	DEL 1 et 2 clignotantes	Erreur du capteur de température du réfrigérateur.
E2	DEL 1 et 5 clignotantes	Erreur du capteur de température du congélateur.
E5	DEL 1 et 3 clignotantes	Erreur du capteur de dégivrage.
E6	DEL 2 et 4 clignotantes	Erreur de communication.
E7	DEL 1 et 4 clignotantes	Erreur du circuit de température.

PROBLÈME	SOLUTION
Le réfrigérateur ne fonctionne pas.	<ul style="list-style-type: none"> ■ Vérifier que le réfrigérateur est fermement connecté à une prise de courant qui fonctionne. ■ Vérifier que la tension de la source d'alimentation est correcte. La tension du réfrigérateur est indiquée sur l'étiquette à l'arrière de l'appareil. ■ Vérifier la boîte de fusibles ou de disjoncteurs du domicile et remplacer le fusible ou réinitialiser le disjoncteur.
Le compartiment du réfrigérateur émet une mauvaise odeur.	<ul style="list-style-type: none"> ■ S'assurer que tous les aliments avec une forte odeur (comme les oignons) sont enveloppés et rangés dans un emballage hermétique. ■ Certains récipients et matériaux d'emballage (tels que le papier, le papier aluminium ou le plastique) peuvent être source d'odeurs. Si cela peut être le cas, essayer d'utiliser des récipients ou des matériaux d'emballage d'une marque différente. ■ Rechercher la présence éventuelle d'aliments avariés et les retirer. ■ Nettoyer l'intérieur du réfrigérateur. Voir Nettoyage du réfrigérateur à la page 16.
Les portes du réfrigérateur ne se ferment pas complètement.	<ul style="list-style-type: none"> ■ Vérifier qu'aucun emballage d'aliments ne gêne la fermeture. ■ S'assurer que les joints de la porte sont propres. Voir Nettoyage du réfrigérateur à la page 16. ■ Si le joint de la porte n'est pas suffisamment hermétique, essayer de le chauffer puis de le refroidir. Il est possible d'utiliser un sèche-cheveux électrique pour chauffer le joint. ■ Vérifier que le réfrigérateur est de niveau. Voir Mise de niveau du réfrigérateur à la page 9.
La température est trop élevée.	<ul style="list-style-type: none"> ■ Il se peut que les portes soient restées ouvertes trop longtemps ou aient été ouvertes trop fréquemment. ■ S'assurer qu'aucun obstacle n'empêche les portes de se fermer correctement. ■ Régler la température du compartiment du réfrigérateur ou du congélateur. Voir Réglage de la température à la page 14 ou Réglage de la température du congélateur à la page 15. ■ Le réfrigérateur peut ne pas avoir suffisamment d'espace par rapport aux murs ou au plafond. Voir Fournir une ventilation appropriée à la page 8.
La température est trop basse.	<ul style="list-style-type: none"> ■ Régler la température du compartiment du réfrigérateur ou du congélateur. Voir Réglage de la température à la page 14 ou Réglage de la température du congélateur à la page 15.

Conseils de dépannage... Avant d'appeler le service.

PROBLÈME	SOLUTION
Une couche de givre se forme dans l'un des compartiments.	<ul style="list-style-type: none"> ■ A couche de givre peut se former sur les parois internes du compartiment si le congélateur est ouvert fréquemment ou conservé ouvert trop longtemps. ■ Vérifier que les prises d'air ne sont pas obstruées par des aliments. ■ Vérifier que les portes sont bien fermées.
La porte du réfrigérateur s'ouvre ou se ferme difficilement.	<ul style="list-style-type: none"> ■ Lorsque la porte du réfrigérateur est ouverte, de l'air chaud pénètre à l'intérieur. Quand la porte est fermée, l'air chaud pénètre dans le condensateur ce qui crée un effet de vide. C'est pourquoi la porte est difficile à ouvrir pendant environ 10 à 15 secondes après la fermeture. ■ Si la porte s'ouvre difficilement dans d'autres conditions, essayer d'enduire de paraffine ou de vaseline les bords du joint de porte. La paraffine est utilisée pour la mise en boîte et peut être utilisée sans danger à proximité des aliments. ■ S'il est difficile de fermer la porte, essayer de desserrer légèrement la tension des charnières de porte.
Le compresseur fonctionne pendant une longue durée ou s'allume et s'éteint fréquemment.	<p>Le compresseur fonctionne pendant plus longtemps si :</p> <ul style="list-style-type: none"> ■ La température de la pièce est élevée; ■ une quantité importante d'aliments vient d'être ajoutée. Attendre que les aliments soient congelés et vérifier de nouveau; ■ La porte est ouverte et fermée fréquemment; ■ le joint de la porte est sale. Nettoyer le joint. Voir Nettoyage du réfrigérateur à la page 16. ■ Le réfrigérateur a été débranché pendant un certain temps. Attendre que le réfrigérateur refroidisse (environ quatre heures) avant d'y ajouter des aliments. ■ La température est réglée à un niveau trop bas.
Le plateau d'eau déborde.	<ul style="list-style-type: none"> ■ Il peut y avoir beaucoup trop d'aliments dans le réfrigérateur ou les aliments ont un contenu d'eau trop élevé, ce qui se traduit par une décongélation importante. ■ Vérifier que les portes sont bien fermées, pour éviter la décongélation à l'intérieur du réfrigérateur ou du congélateur.
Le réfrigérateur émet des bruits inhabituels ou des vibrations.	<p>Les sons suivants sont normaux :</p> <ul style="list-style-type: none"> ■ Bruits de fonctionnement du compresseur. ■ Bruit du mouvement d'air du moteur du petit ventilateur dans le compartiment du congélateur ou d'autres compartiments. ■ Craquement pendant la décongélation automatique. ■ Bruit de déclic avant le démarrage du compresseur. <p>Des bruits inhabituels ou des vibrations peuvent se faire entendre :</p> <ul style="list-style-type: none"> ■ Si des objets sont placés sur le dessus du réfrigérateur. Retirer les éléments. ■ Le réfrigérateur n'est pas de niveau. Voir Mise de niveau du réfrigérateur à la page 9. ■ Si le réfrigérateur touche les murs. L'écarter des murs. ■ Vérifier que les étagères ou les tiroirs sont correctement installées.
L'extérieur du réfrigérateur est chaud.	<p>La dissipation de chaleur du condensateur peut être responsable d'une sensation de chaleur de l'extérieur. Ceci est normal et se produit si :</p> <ul style="list-style-type: none"> ■ La température de la pièce est élevée; ■ La quantité d'aliments dans le réfrigérateur est trop importante. ■ Les portes sont ouvertes et fermées de façon excessive.
De la condensation se forme à l'extérieur du réfrigérateur.	<ul style="list-style-type: none"> ■ De la condensation sur la surface extérieure et le joint de la porte est normale lorsque l'humidité de la pièce est élevée. ■ Quand la porte est ouverte, la chaleur et l'humidité de l'air extérieur rencontrent l'air froid venant de l'intérieur du réfrigérateur. Ceci est normal.

Please place in envelope and mail to:
Veuillez mettre dans une enveloppe et envoyez à:

**OWNERSHIP REGISTRATION
P.O. BOX 1780
MISSISSAUGA, ONTARIO
L4Y 4G1**

**(FOR CANADIAN CONSUMERS ONLY -
POUR RÉSIDENTS CANADIENS SEULEMENT)**



For Canadian
Customers



Pour les
Consommateurs
Canadiens

CUT ALONG THIS LINE AND RETURN CARD - THANKS
DÉCOUPEZ ICI ET ENVOYEZ LA FICHE - MERCI

OWNERSHIP REGISTRATION CERTIFICATE – FICHE D'INSCRIPTION DU PROPRIÉTAIRE

Please register your product to enable us to contact you in the remote event a safety notice is issued for this product and to allow for efficient communication under the terms of your warranty, should the need arise.

Veillez enregistrer votre produit afin de nous permettre de communiquer avec vous si jamais un avis de sécurité concernant ce produit était émis et de communiquer facilement avec vous en vertu de votre garantie, si le besoin s'en fait sentir.

REGISTER ON-LINE: www.geappliances.ca

MAIL TO: **P.O. BOX 1780, MISSISSAUGA**

ENREGISTREMENT SUR INTERNET À : www.electromenagersge.ca

POSTEZ À : **ONTARIO, L4Y 4G1**

<input type="checkbox"/> MR. / M	<input type="checkbox"/> MRS. / MME.	FIRST NAME / PRÉNOM		LAST NAME / NOM	
<input type="checkbox"/> MISS/MLE.	<input type="checkbox"/> MS.				
STREET NO / N° RUE		STREET NAME / RUE			APT.NO/APP/RR#
CITY / VILLE			PROVINCE	POSTAL CODE/CODE POSTAL	
AREA CODE/IND. RÉG.	TELEPHONE/TÉLÉPHONE		E-MAIL/COURRIEL		
DID YOU PURCHASE A SERVICE CONTRACT FOR THIS APPLIANCE? AVEZ-VOUS ACHETÉ UN CONTRAT DE SERVICE POUR CET APPAREIL?			YES/OUI <input type="checkbox"/>	IF YES/SI OUI : EXPIRATION	
			NO/NON <input type="checkbox"/>	Y/A	M D/J
NAME OF SELLING DEALER / NOM DU MARCHAND				MODEL / MODÈLE	
INSTALLATION DATE / DATE D'INSTALLATION		CORRESPONDENCE <input type="checkbox"/> ENGLISH		SERIAL / SÉRIE	
Y/A	M D/J	CORRESPONDANCE <input type="checkbox"/> FRANÇAIS			
<input type="checkbox"/> I do not wish to receive any promotional offers regarding this product. Je ne désire pas recevoir d'offres promotionnelles concernant ce produit.					

Garantie

Tous les services de garantie sont fournis par nos centres de service d'usine ou par un technicien autorisé Customer Care®. Pour planifier le service, communiquez avec nous au 1.800.561.3344. Veuillez avoir le numéro de série et le numéro de modèle à portée de main lorsque vous appelez le service après-vente.

Période de garantie :	Mabe remplacera :
Un an à compter de la date d'achat d'origine	Toute pièce défectueuse du réfrigérateur en raison d'un vice de matériau ou de fabrication. Au cours de cette garantie limitée d'un an, Mabe fournira également, sans frais, toute la main-d'œuvre pour le remplacement à domicile de la pièce défectueuse.

Ce qui n'est pas couvert :

- Toute visite à votre domicile pour vous expliquer le fonctionnement de l'appareil.
- L'installation, la livraison ou l'entretien inadéquats.
- Toute défectuosité du produit attribuable à une utilisation abusive ou inadéquate, s'il a été utilisé à toute autre fin que celle pour laquelle il a été conçu, ou s'il a été utilisé à des fins commerciales.
- Perte de nourriture due à la détérioration.
- Tout dommage causé après la livraison.
- Le remplacement des fusibles ou le réenclenchement des disjoncteurs de votre domicile.
- Tout dommage au produit attribuable à un accident, un incendie, une inondation ou une catastrophe naturelle.
- Tout dommage accessoire ou indirect, causé par des défaillances possibles de l'appareil.
- Tout produit auquel il n'est pas possible d'accéder pour effectuer les réparations nécessaires.

EXCLUSION DES GARANTIES IMPLICITES

Vôtre seul et unique recours est de faire réparer le produit dans le cadre de cette garantie limitée. Toutes garanties implicites, dont celles de qualité marchande ou d'aptitude du produit pour une application particulière, sont limitées à un an ou à la période la plus courte autorisée par la loi.

Cette garantie est offerte à l'acheteur initial, ainsi qu'à tout propriétaire subséquent d'un produit acheté au Canada en vue d'une utilisation domestique au Canada. Si le produit se situe dans une zone où un réparateur Mabe n'est pas disponible, vous devrez peut-être assumer les frais de déplacement de celui-ci ou apporter le produit à un atelier de réparation agréé Mabe.

Garant : Mabe Canada Inc. Burlington, ON L7R 5B6

Agrafez votre facture ici. Une preuve de la date d'achat d'origine est nécessaire à l'obtention de services de réparation en vertu de la présente garantie.

Service à la clientèle

Site web

Vous avez une question ou vous avez besoin d'aide pour votre appareil électroménager? Visitez notre site Web consacré aux appareils électroménagers GE, et ce 24 heures par jour, tous les jours de l'année! Pour des raisons de commodité et pour accélérer le service, vous pouvez maintenant télécharger les manuels du propriétaire, commander des pièces et même programmer les visites de service en ligne. Au Canada: www.GEAppliances.ca

Demande de service

Un service de réparation expert GE se trouve à quelques pas de chez vous. Visitez notre site et programmez, à votre convenance, une visite de service à n'importe quel jour de l'année! Ou composez le 1.800.561.3344 durant les heures normales de bureau.

Prolongation de garantie

Veuillez consulter votre annuaire pour trouver un fournisseur de garantie prolongée local.

Pièces et accessoires

Veuillez consulter votre annuaire pour trouver un distributeur local de pièces GE. Autrement, visitez notre site web ou appelez-nous au 1.800.661.1616

Communiquez avec nous

Si vous n'êtes pas satisfait du service après-vente de GE, communiquez avec nous sur notre site Web en fournissant tous les détails et votre numéro de téléphone, ou écrivez à : Directeur, relations au consommateur, MC Commercial
Suite 310, 1 Factory Lane
Moncton, N.B. E1C 9M3

Enregistrez votre électroménager

Enregistrez votre nouvel appareil en ligne au moment qui vous convient le mieux! L'enregistrement de votre produit dans les délais prescrits permet une meilleure communication et un service rapide, selon les modalités de votre garantie, si besoin est. Vous pouvez également envoyer par courrier la carte d'enregistrement pré-imprimée qui se trouve dans l'emballage de votre appareil.

