



# Top-Freezer REFRIGERATORS

**SAFETY INFORMATION** .....3

**USING THE REFRIGERATOR**

Temperature Control .....5

Refrigerator Shelves .....5

Drawers .....6

Freezer Shelf .....6

**CARE AND CLEANING** .....7

**INSTALLATION INSTRUCTIONS**

Preparing to Install the Refrigerator.....9

Reversing the Door Swing .....10

**TROUBLESHOOTING**

Normal Operating Sounds .....13

Troubleshooting Tips.....14

**LIMITED WARRANTY** .....16

**ACCESSORY**.....17

**CONSUMER SUPPORT** .....18

## OWNER'S MANUAL & INSTALLATION INSTRUCTIONS

GTS18, GTS21 Models

ENGLISH/FRANÇAIS/  
ESPAÑOL

Write the model and serial numbers here:

Model # \_\_\_\_\_

Serial # \_\_\_\_\_

Find these numbers on a label on the left side, near the middle of the refrigerator compartment.

**THANK YOU FOR MAKING GE APPLIANCES A PART OF YOUR HOME.**

---

Whether you grew up with GE Appliances, or this is your first, we're happy to have you in the family.

We take pride in the craftsmanship, innovation and design that goes into every GE Appliances product, and we think you will too. Among other things, registration of your appliance ensures that we can deliver important product information and warranty details when you need them.

Register your GE appliance now online. Helpful websites and phone numbers are available in the Consumer Support section of this Owner's Manual. You may also mail in the pre-printed registration card included in the packing material.



# IMPORTANT SAFETY INFORMATION

## READ ALL INSTRUCTIONS BEFORE USING THE APPLIANCE

**▲ WARNING** To reduce the risk of fire, explosion, electric shock, or injury when using your refrigerator, follow these basic safety precautions:

- This refrigerator must be properly installed and located in accordance with the Installation Instructions before it is used.
- Unplug the refrigerator before making repairs, replacing a light bulb, or cleaning.  
**NOTE:** Power to the refrigerator cannot be disconnected by any setting on the control panel.  
**NOTE:** Repairs must be performed by a qualified Service Professional.
- Replace all parts and panels before operating.
- Do not use an extension cord.
- Do not store or use gasoline or other flammable vapors and liquids in the vicinity of this or any other appliance.
- Do not store explosive substances such as aerosol cans with a flammable propellant in this appliance.
- To prevent suffocation and entrapment hazards to children, remove the fresh food and freezer doors from any refrigerator before disposing of it or discontinuing its use.
- To avoid serious injury or death, children should not stand on, or play in or with the appliance.
- Children and persons with reduced physical, sensory or mental capabilities or lack of experience and knowledge can use this appliance only if they are supervised or have been given instructions on safe use and understand the hazards involved.
- This appliance is intended to be used in household and similar applications such as: staff kitchen areas in shops, offices and other working environments; farm houses; by clients in hotels, motels, bed & breakfast and other residential environments; catering and similar non-retail applications.
- Do not apply harsh cleaners to the refrigerator. Certain cleaners will damage plastic which may cause parts such as the door or door handles to detach unexpectedly. See the Care and Cleaning section for detailed instructions.

**▲ CAUTION** To reduce the risk of injury when using your refrigerator, follow these basic safety precautions.

- Do not clean glass shelves or covers with warm water when they are cold. Glass shelves and covers may break if exposed to sudden temperature changes or impact, such as bumping or dropping. Tempered glass is designed to shatter into many small pieces if it breaks.
- Keep fingers out of the “pinch point” areas; clearances between the doors and between the doors and cabinet are necessarily small. Be careful closing doors when children are in the area.
- Do not touch the cold surfaces in the freezer compartment when hands are damp or wet, skin may stick to these extremely cold surfaces.
- Do not refreeze frozen foods which have thawed completely.
- In refrigerators with automatic ice makers, avoid contact with the moving parts of the ejector mechanism, or with the heating element that releases the cubes. Do not place fingers or hands on the automatic ice making mechanism while the refrigerator is plugged in.

## INSTALLATION

**▲ WARNING**  **EXPLOSION HAZARD**

Keep flammable materials and vapors, such as gasoline, away from refrigerator. Failure to do so can result in fire, explosion, or death.

# READ AND SAVE THESE INSTRUCTIONS

# IMPORTANT SAFETY INFORMATION

## READ ALL INSTRUCTIONS BEFORE USING THE APPLIANCE

### CONNECTING ELECTRICITY

#### **⚠ WARNING** ELECTRICAL SHOCK HAZARD

Plug into a grounded 3-prong outlet  
 Do not remove the ground prong  
 Do not use an adapter  
 Do not use an extension cord.  
 Failure to follow these instructions can result in death, fire, or electrical shock.

**Do not, under any circumstances, cut or remove the third (ground) prong from the power cord. For personal safety, this appliance must be properly grounded.**

The power cord of this appliance is equipped with a 3-prong (grounding) plug which mates with a standard 3-prong (grounding) wall outlet to minimize the possibility of electric shock hazard from this appliance.

Have the wall outlet and circuit checked by a qualified electrician to make sure the outlet is properly grounded.

Where a standard 2-prong wall outlet is encountered, it is your personal responsibility and obligation to have it replaced with a properly grounded 3-prong wall outlet. Do not use an adapter.

The refrigerator should always be plugged into its own individual electrical outlet which has a voltage rating that matches the rating plate.

A 115 Volt AC, 60 Hz, 15- or 20-amp fused, grounded electrical supply is required. This provides the best performance and also prevents overloading house wiring circuits which could cause a fire hazard from overheated wires.

Never unplug your refrigerator by pulling on the power cord. Always grip plug firmly and pull straight out from the outlet.

Immediately discontinue use of a damaged supply cord. If the supply cord is damaged, it must be replaced by a qualified service professional with an authorized service part from the manufacturer.

When moving the refrigerator away from the wall, be careful not to roll over or damage the power cord.

### PROPER DISPOSAL OF YOUR OLD REFRIGERATOR

#### **⚠ WARNING** SUFFOCATION AND ENTRAPMENT HAZARD

Failure to follow these disposal instructions can result in death or serious injury

**IMPORTANT:** Child entrapment and suffocation are not problems of the past. Junked or abandoned refrigerators are still dangerous even if they will sit for "just a few days." If you are getting rid of your old refrigerator, please follow the instructions below to help prevent accidents.

#### **Before You Throw Away Your Old Appliance**

- Take off the fresh food and freezer doors.
- Leave the shelves in place so that children may not easily climb inside.

#### **Refrigerant and Foam Disposal:**

Dispose of appliance in accordance with Federal and Local Regulations. Contact your local authorities for the environmentally safe disposal of your appliance.

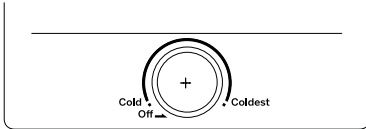
## READ AND SAVE THESE INSTRUCTIONS

# Temperature Control

The temperature control adjusts the refrigerator from its warmest to coldest settings. There are both a refrigerator control and a freezer control.

## Refrigerator Temperature Control

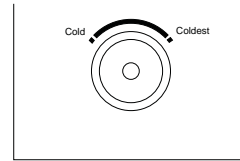
Your refrigerator will come with the recommended factory setting in the mid position. For colder temperature, turn the knob clockwise toward **Coldest**. For warmer temperature, turn the dial counter-clockwise toward **Cold**. To turn off the cooling in both compartments, turn the knob counter-clockwise to the vertical off position.



You will hear and feel the control click, and the knob will not turn farther. Note that this does not shut off power to the refrigerator.

## Freezer Air Flow Control

There is a control on the air tower in the freezer that controls how much cold air is in the freezer. The actual temperature control is only in the refrigerator compartment.



# Fresh Food Compartment Shelves

Shelf supports at various levels allow you to custom-space your shelves. Shelves shown below in recommended locations.

Not all features are on all models.

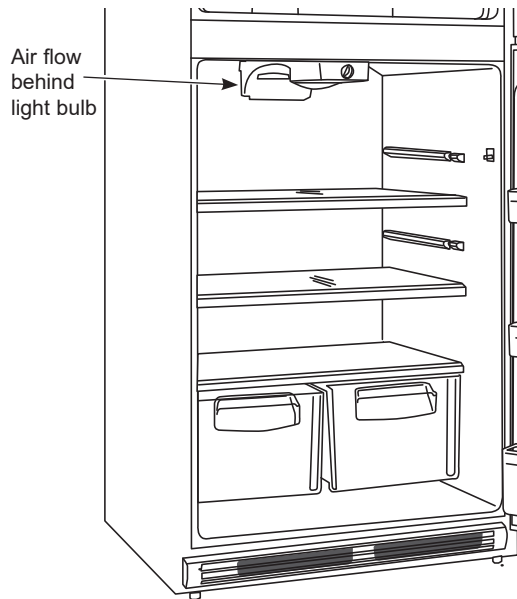
## Full-Width Shelves

Some models have a stationary tempered glass shelf, a spillproof shelf or two steel wire stationary shelves. These shelves can be moved to another place in the fresh food compartment.

When placed correctly on the shelf supports, the shelf will stop before coming completely out of the refrigerator and will not tilt when you place food on it or remove food from it.

**CAUTION** Do not clean glass shelves or covers with warm water when they are cold. Glass shelves and covers may break if exposed to sudden temperature changes or impact such as bumping or dropping. Tempered glass is designed to shatter into many small pieces if it breaks.

**NOTE:** Do not block air outlet by placing food items directly against it. Erratic temperatures may result.

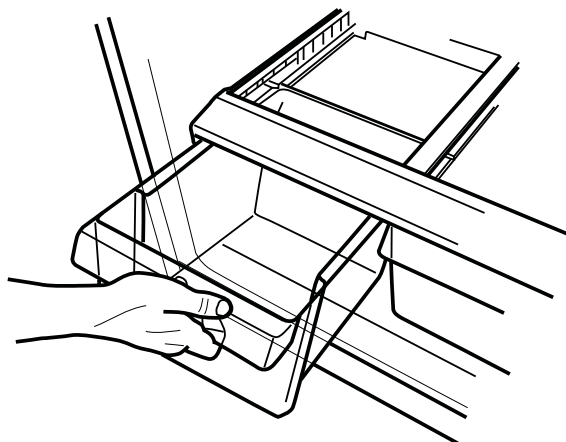


## Drawers

### Climate Zone Drawer

Keep fruits and vegetables organized in separate compartments for easy access.

Excess water that may accumulate in the bottom of the drawers or under the drawers should be wiped dry.



### Drawer Removal

Drawers can be removed easily by grasping the sides and lifting up slightly while pulling drawers past the stop location.

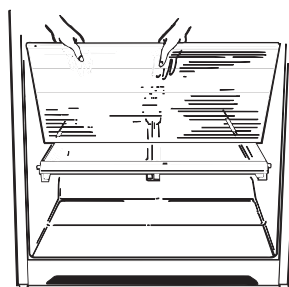
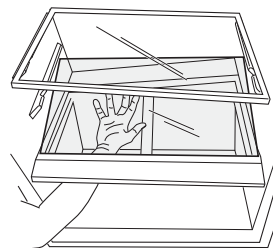
### Cover Removal

#### To remove:

1. Remove the drawers.
2. Reach in, push the back of glass cover up. Tilt it and take it out. Avoid cleaning the cold glass cover with hot water because the extreme temperature difference may cause it to break.
3. Remove the drawer frame. (Always remove the glass cover before you take out the drawer frame.) Lift the frame off the supports at each side and back, pull it forward, tilt it and take it out.

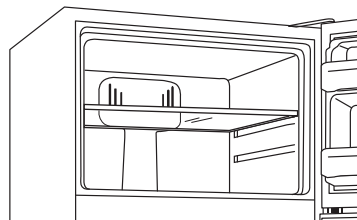
#### To replace:

1. Lower the frame until it rests on the supports at each side and back.
2. Replace the glass cover
3. Replace the drawers.



## Freezer Compartment Shelf

When placed correctly on the shelf supports, the glass shelf will stop before coming completely out of the freezer and will not tilt when you place food on it or remove food from it.



### CAUTION

Do not clean glass shelves or covers with warm water when they are cold. Glass shelves and covers may break if exposed to sudden temperature changes or impact such as bumping or dropping. Tempered glass is designed to shatter into many small pieces if it breaks.

# Care and Cleaning

## Cleaning the Outside

### Directions for Cleaning Outside Surfaces, Door Handles, and Trim

DO USE	DO NOT USE
Soft, clean cloth or sponge	Abrasive cloths, scrubbing sponges, scouring or steel wool pads
Mild detergent mixed with warm water Approved stainless steel cleaners; Visit the GE Appliances parts store for approved stainless steel cleaners: <b>GEApplianceparts.com</b> or call <b>877.959.8688</b> Cleaners with oxalic acid such as Bar Keepers Friend Soft Cleanser™ can be used to remove surface rust, tarnish and small blemishes on stainless steel surfaces only.	Abrasive powders or sprays Window Sprays or Ammonia Citrus or plant oil-based cleaners Acidic or vinegar-based cleaners Oven cleaners Cleaners containing acetone (propanone) Any cleaner with WARNING about plastic contact

**NOTE: DO NOT** allow stainless steel cleaner to come in contact with any plastic parts such as trim pieces, handle hardware and liners. If unintentional contact of cleaners with plastic parts does occur, clean plastic part with a sponge and mild detergent mixed with warm water.

## Cleaning the Condenser

**⚠ WARNING** To reduce the risk of death or electric shock, you must follow these instructions:

- Unplug the refrigerator before removing any panels.
- Do not contact or damage any wiring while the panel is removed.
- Replace all parts and panels before plugging the refrigerator back in.

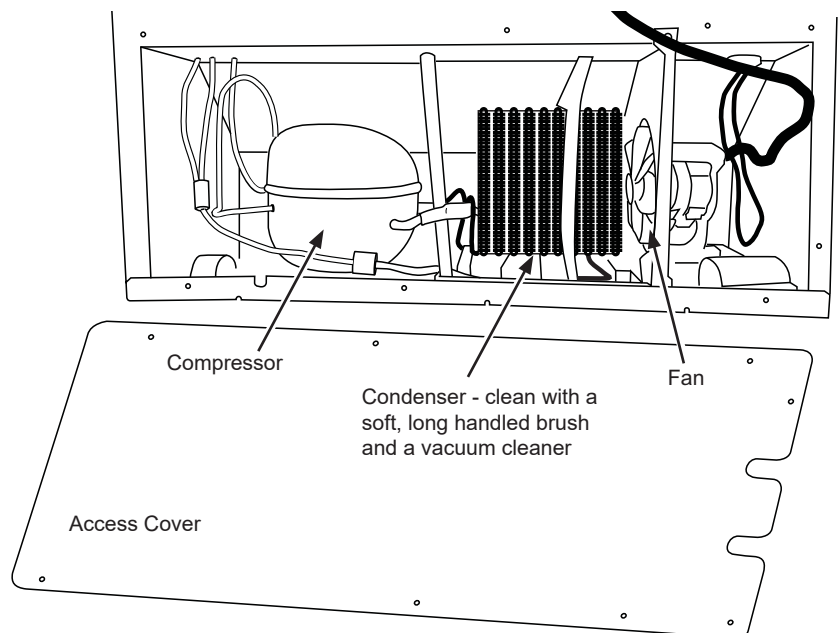
Periodically, the condenser of the refrigerator will become covered with dust and dirt. This can make your refrigerator cool less effectively and use more energy. You can improve the refrigerators' performance by cleaning the condenser. It is located at the back of your refrigerator, at the bottom, behind the access cover.

Cleaning the condenser requires a phillips screwdriver, vacuum cleaner and soft brush with a long handle.

### To clean the condenser:

1. Turn off the refrigerator.
2. Turn the leveling legs at each front corner of the refrigerator counterclockwise until the rollers support the refrigerator.
3. Roll the refrigerator out far enough so you can get behind it at the bottom. Be sure not to pull out any water lines connected to your refrigerator.
4. **Unplug the refrigerator.**
5. Use the Phillips head screwdriver to remove the screws securing the cover to the refrigerator.

6. Locate the condenser. It is between the compressor and the fan. It is a black square shape made of tubes with fins.
7. Vacuum the condenser. Use the brush to gently loosen dust and dirt from the gaps and fins of the condenser.
8. Once the condenser is clean, reinstall the access cover, replacing all screws.
9. Plug in the refrigerator.
10. Return it to its normal position. Turn the legs clockwise until the legs again bear the weight of the refrigerator. Also level the refrigerator as required
11. Turn the refrigerator back on and turn the control clockwise until it returns to mid setting (vertical) or the previous position of the control. Check to see if the refrigerator begins operating.





## Care And Cleaning

---

### Cleaning the Inside

To help prevent odors, leave an open box of baking soda in the fresh food and freezer compartments.

#### Unplug the refrigerator before cleaning.

If this is not practical, wring excess moisture out of sponge or cloth when cleaning around switches, lights or controls.

Use warm water and baking soda solution—about a tablespoon (15 ml) of baking soda to a quart (1 liter) of water. This both cleans and neutralizes odors. Rinse and wipe dry.

After cleaning the door gaskets, apply a thin layer of petroleum jelly to the door gaskets at the hinge side. This helps keep the gaskets from sticking and bending out of shape.

#### ⚠ CAUTION

Do not clean glass shelves or covers with warm water when they are cold. Glass shelves and covers may break if exposed to sudden temperature changes or impact such as bumping or dropping. Tempered glass is designed to shatter into many small pieces if it breaks.

Do not wash any plastic refrigerator parts in the dishwasher.

---

### Moving the Refrigerator

Be careful when moving the refrigerator away from the wall. All types of floor coverings can be damaged, particularly cushioned coverings and those with embossed surfaces.

Turn the leveling legs at each front corner of the refrigerator counterclockwise until the rollers support the refrigerator. Pull the refrigerator straight out and return it to position by pushing it straight in. Moving the refrigerator in a side direction may result in damage to

the floor covering or refrigerator.

When pushing the refrigerator back, make sure you don't roll over the power cord or ice maker supply line (on some models).

After rolling the refrigerator back into place, turn the legs clockwise until the legs again bear the weight of the refrigerator.

---

### Light Bulb Replacement

#### ⚠ WARNING

Before replacing a burned-out light bulb, the refrigerator should be unplugged in order to avoid contact with a live wire filament. (A burned-out light bulb may break when being replaced.) Turning the control to the **OFF** position does not remove power to the light circuit.

Depending on your model, the lights in the refrigerator and freezer compartments may use either 5 watt LED bulbs with a medium base or 40 watt appliance incandescent bulbs with a medium base. Follow the instructions specific to your model.

#### IMPORTANT:

- Use only UL listed LED replacement bulbs that are recommended for wet/damp environments. The refrigerator and freezer are considered to be wet/damp environments. If using a brand of LED bulb other than the recommended LED bulb, before installation, read and follow all instructions on the LED packaging. LED bulbs should be 5 Watts with a medium base.
  - If an incandescent bulb is used to replace an LED bulb, use only incandescent bulbs for household appliances with a maximum wattage of 40 with a medium base.
- 

### Preparing for Vacation

For long vacations or absences, remove food and unplug the refrigerator. Move the temperature control dial to the **OFF** position, and clean the interior with a baking soda solution of one tablespoon (15 ml) of baking soda to one quart (1 liter) of water. Leave the doors open.

If an icemaker has been installed it must be turned off; move the switch to the **OFF** position on the power switch model. Shut off the water supply to the refrigerator.

If the temperature can drop below freezing, have a qualified servicer drain the water supply system (on some models) to prevent serious property damage due to flooding.

---

### Preparing to Move

Secure all loose items such as grille, shelves and drawers by taping them securely in place to prevent damage.

To prevent the doors from opening while moving, secure them to the case with tape. Be sure the refrigerator stays in an upright position during moving.



# Installation Instructions *GTS21 Models*

If you have questions, call 1.800.GE.CARES or visit our Website at: [GEAppliances.com](http://GEAppliances.com).  
 In Canada, call 1.800.561.3344 or Visit our Website at: [geappliances.ca](http://geappliances.ca)

## BEFORE YOU BEGIN

Read these instructions completely and carefully.

- **IMPORTANT** – Save these instructions for local inspector’s use.
- **IMPORTANT** – Observe all governing codes and ordinances.
- **Note to Installer** – Be sure to leave these instructions with the Consumer.
- **Note to Consumer** – Keep these instructions for future reference.
- **Skill level** – Installation of this appliance requires basic mechanical skills.
- **Completion time** – Refrigerator Installation  
15 minutes  
Reversing the Door Swing  
15 minutes
- Proper installation is the responsibility of the installer.
- Product failure due to improper installation is not covered under the Warranty.

## CLEARANCES

Allow a 2" (50mm) back clearance for ease of installation, proper air circulation and plumbing and electrical connections.

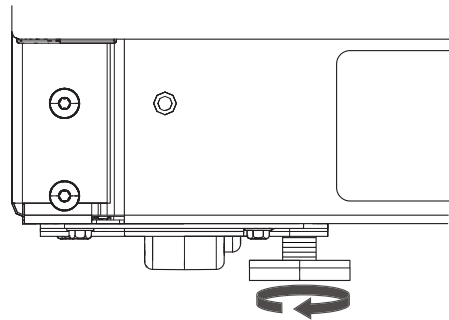
## ROLLERS AND LEVELING LEGS

**Leveling legs** near each front corner of the refrigerator are adjustable. They firmly position the refrigerator and prevent it from moving when the doors are opened. Leveling legs should be set so the front of the refrigerator is raised just enough that the doors close easily when opened about halfway.

Turn the leveling legs **clockwise to raise** the refrigerator, **counterclockwise to lower it**.

**Rollers** next to the leveling legs allow you to move the refrigerator away from the wall for cleaning.

Turn the legs counterclockwise until the weight of the refrigerator is transferred from them to the rollers. After rolling the refrigerator back into place, turn the legs clockwise until the legs again bear the weight of the refrigerator.



## REFRIGERATOR LOCATION

- Do not install the refrigerator where the temperature will go below 55°F (12.7°C) because it will not run often enough to maintain proper temperatures.
- Do not install the refrigerator where the temperature will go above 100°F (37°C) because it will not perform properly.
- Do not install the refrigerator in a location exposed to water (rain, etc.) or direct sunlight.
- Install it on a floor strong enough to support it fully loaded.

# Installation Instructions

## REVERSING THE DOOR SWING

**⚠ WARNING** Follow all steps when reversing the door swing. Failure to follow these instructions, leaving off parts, or overtightening screws, can lead to the door falling off and result in injury and property damage.

### IMPORTANT NOTES

When reversing the door swing:

- Read the instructions all the way through before starting.
- Tighten all hinge screws but avoid over-tightening to prevent stripping.
- Handle parts carefully to avoid scratching paint.
- Set screws down by their related parts to avoid losing them.
- Provide a non-scratching work surface for the

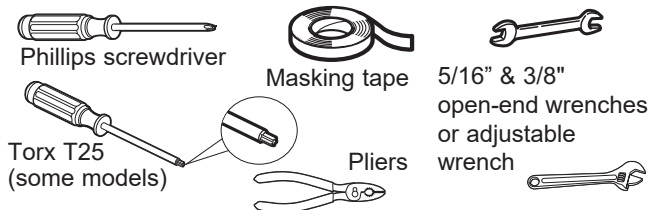
### ⚠ CAUTION Lifting Hazard

The Fresh Food and Freezer doors are heavy. Use both hands to secure the doors before lifting.

**IMPORTANT:** Once you begin, do not move the cabinet until door-swing reversal is completed.

These instructions are for changing the hinges from the right side to the left side—if you ever want to change the hinges back to the right side, follow these same instructions and reverse all references to left and right.

### TOOLS REQUIRED

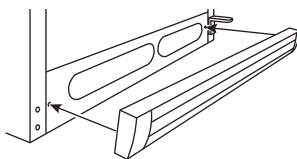


### BEFORE YOU START

1. Unplug the refrigerator from its electrical outlet.
2. Empty all door shelves, including the dairy compartment.

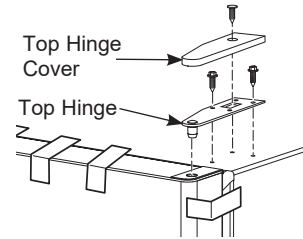
**IMPORTANT:** Do not let either door drop to the floor. To do so could damage the door stop.

3. Remove the front grille if it is installed.

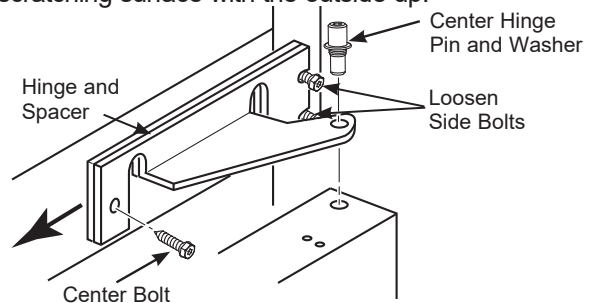


## REMOVING THE DOORS

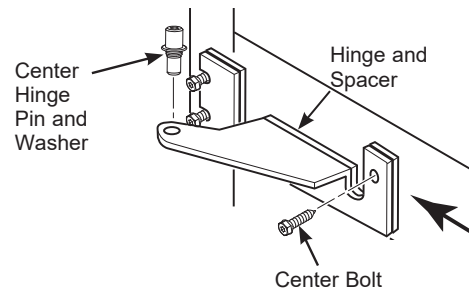
1. Tape the freezer door shut with masking tape.
2. Remove the hinge cover and screws that hold the top hinge to the cabinet.



3. Lift the hinge straight up to free the hinge pin from the socket in the top of the door and set it aside, along with its screws.
4. Remove the tape. Lift the door off the center hinge pin and set the door on a non-scratching surface with the outside up.
5. Unscrew center hinge pin. Be sure to retain plastic washer(s) for reinstallation. Remove refrigerator door from bottom hinge and set the door on a non-scratching surface with the outside up.



6. Use either a wrench or T25 Torx screwdriver to remove center hinge and plastic spacer(s) by unscrewing center bolt, loosening side bolts and sliding hinge to the center of the cabinet. Tighten bolts back into place and replace the center bolt.
7. Remove the center bolt on the opposite side and loosen side bolts. Flip the center hinge and spacer over so the placement of the hinge pin will be toward the outside. Slide center hinge and spacers behind side bolts. Reinstall center bolt and tighten side bolts.

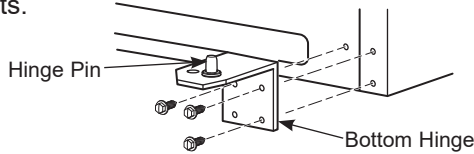


# Installation Instructions

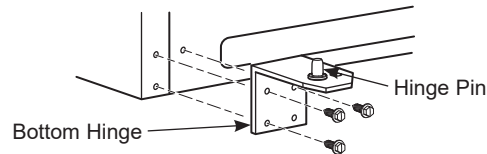
## REVERSING THE DOOR SWING (CONT.)

### REMOVING THE DOORS (Cont.)

8. Remove the bottom hinge bolts and relocate the bottom hinge to the opposite side of the cabinet. Tighten bolts.

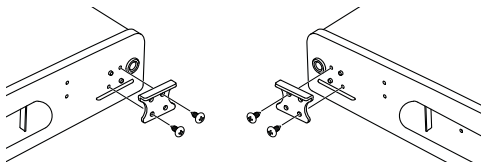


9. Unscrew the hinge pin and move to the other hole and tighten.

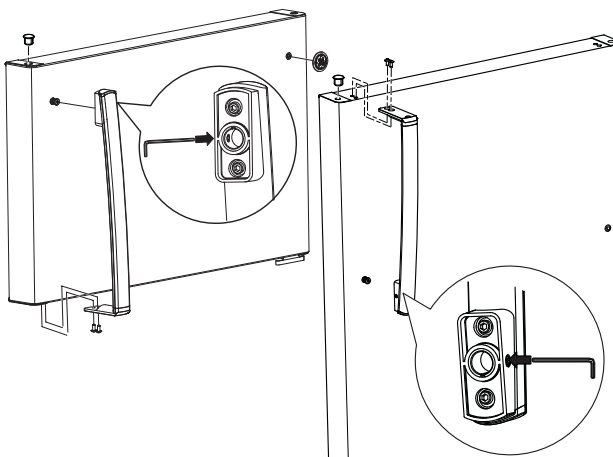


### REVERSING THE DOOR HANDLES Stainless Steel Handle

1. Remove handle screws from the top and bottom of fresh food door.
2. Loosen set screw on handle with the provided 1/8" wrench.
3. Remove door handle.
4. Change places between the handle fastener and plug button on door front.
5. Move the large and small hole covers on top and front of the door to fill the now vacant holes.

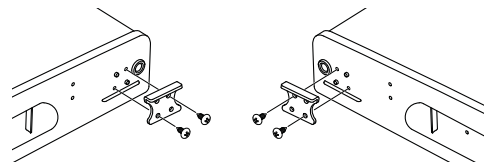


6. On both the refrigerator and freezer doors, remove the screws from the door stop on one side with a Phillips screwdriver. Install the door stop onto the other side of the door.
7. Attach handle to fresh food door with screws at top of handle. Use 1/8" allen wrench to tighten set screw at bottom of handle.
8. Attach handle to freezer door with screws at bottom of handle. Use the provided 1/8" allen wrench to tighten set screw at top of handle.
9. Attach badge on freezer door opposite the handle.

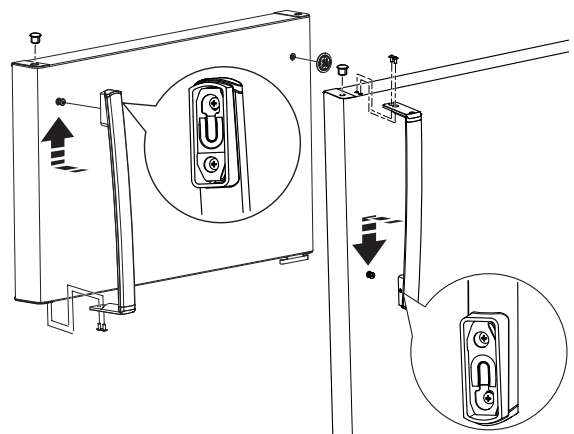


### REVERSING THE DOOR HANDLES Plastic Handle Assembly

1. Remove handle screws from the top of fresh food door. Remove handle screws from the bottom of freezer door.
2. Remove door handle on fresh food door by sliding the handle up off of the fastener. Remove door handle on freezer door by sliding the handle down off of the fastener.
3. Change places between the handle fastener and plug button on door front.
4. Move the large and small hole covers on top and front of the door to fill the now vacant holes.



5. On both the refrigerator and freezer doors, remove the screws from the door stop on one side with a Phillips screwdriver. Install the door stop onto the other side of the door.
6. Attach handle to fresh food door by sliding handle down onto fastener and with screws at top of handle.
7. Attach handle to freezer door by sliding handle up onto fastener and with screws at bottom of handle.
8. Attach badge on freezer door opposite the handle.

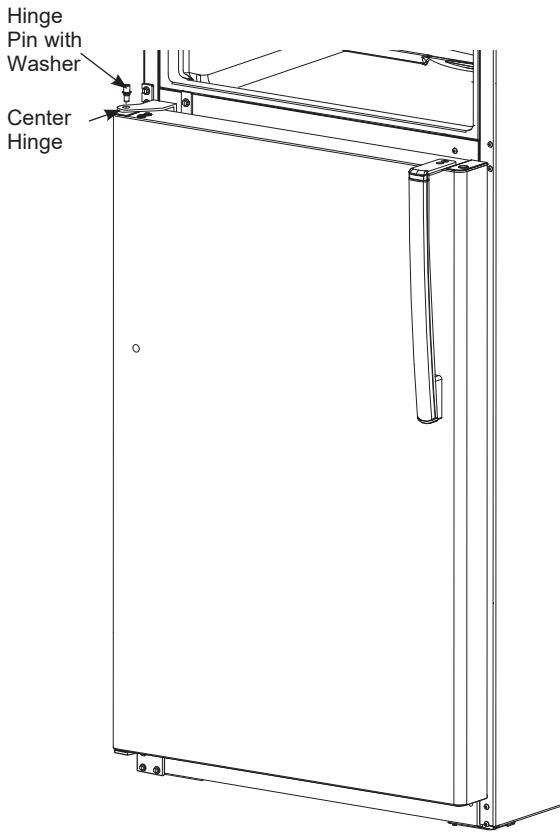
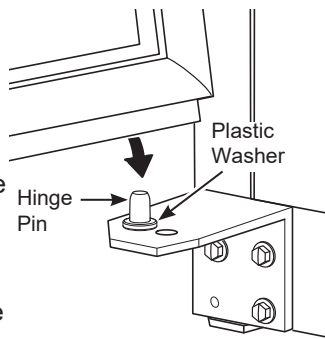


# Installation Instructions

## REVERSING THE DOOR SWING (CONT.)

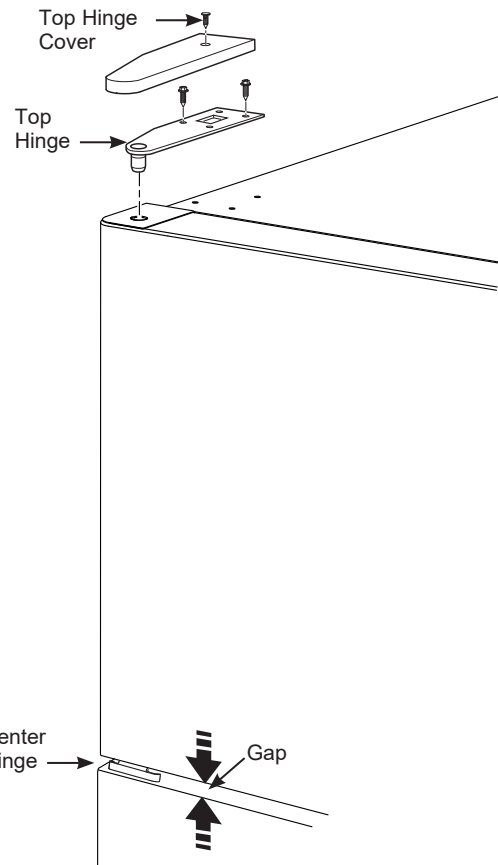
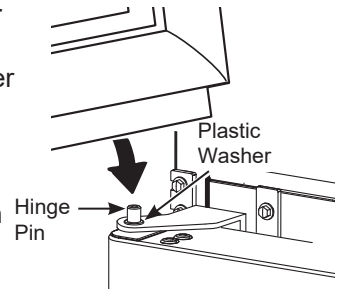
### RE-HANGING THE DOORS

1. Lower the fresh food door onto the bottom hinge pin. Be sure the washer is in place on the pin.
2. Tilt the door towards the cabinet. As the door is brought into position, align the socket in the door with the hole in the center hinge. Place the center hinge pin into the hole in the center hinge and tighten. Make sure the washer is on the top of the hinge pin.



### RE-HANGING THE DOORS (Cont.)

3. Lower the freezer door onto the center hinge pin. Be sure the washer is in place on the pin.
4. Tilt the door towards the cabinet. Install the top hinge fitting the pin into the socket on the top of the door.
5. Make sure the door is slightly above the top of the cabinet and the gap between the doors is even across the front. Tighten the top hinge screws. Do not over-tighten these screws. Tighten them until they are just snug, and then turn them another one-half turn.
6. Replace the top hinge cover.



# Normal Operating Sounds

Newer refrigerators sound different from older refrigerators. Modern refrigerators have more features and use newer technology.

## Do you hear what I hear? These sounds are normal.

- The new high efficiency compressor may run faster and longer than your old refrigerator and you may hear a high-pitched hum or pulsating sound while it is operating.
- You may hear a whooshing sound when the doors close. This is due to pressure equalizing within the refrigerator.

**HUMMM...**  
**WHOOSH...**



- You may hear the fans spinning at high speeds. This happens when the refrigerator is first plugged in, when the doors are opened frequently or when a large amount of food is added to the refrigerator or freezer compartments. The fans are helping to maintain the correct temperatures.

## CLICKS, POPS, CRACKS and CHIRPS

- You may hear cracking or popping sounds when the refrigerator is first plugged in. This happens as the refrigerator cools to the correct temperature.
- The compressor may cause a clicking or chirping sound when attempting to restart (this could take up to 5 minutes).
- Expansion and contraction of cooling coils during and after defrost can cause a cracking or popping sound.
- On models with an ice maker, after an ice making cycle, you may hear the ice cubes dropping into the ice bucket.



## WATER SOUNDS

- The flow of refrigerant through the freezer cooling coils may make a gurgling noise like boiling water.
- Water dropping on the defrost heater can cause a sizzling, popping or buzzing sound during the defrost cycle.
- A water dripping noise may occur during the defrost cycle as ice melts from the evaporator and flows into the drain pan.
- Closing the door may cause a gurgling sound due to pressure equalization.

## Troubleshooting Tips... Before you call for service

Save time and money! Review the charts on the following pages first and you may not need to call for service. If needed, service can be scheduled by visiting us online [GEAppliances.com](http://GEAppliances.com) or calling 800.GECARES 800.432.2737. In Canada visit [GEAppliances.ca](http://GEAppliances.ca) or call 800.561.3344.

Problem	Possible Causes	What to Do
Refrigerator does not operate	Refrigerator in defrost cycle.	Wait about 30 minutes for defrost cycle to end.
	Either or both controls set to OFF	Set the controls to a lower temperature setting.
	Refrigerator is unplugged.	Push the plug completely into the outlet.
	The fuse is blown/circuit breaker is tripped.	Replace fuse or reset the breaker.
Motor operates for long periods or cycles on and off frequently. (Modern refrigerators with more storage space and a larger freezer require more operating time. They start and stop often to maintain even temperatures.)	Normal when refrigerator is first plugged in.	Wait 24 hours for the refrigerator to completely cool down.
	Often occurs when large amounts of food are placed in refrigerator.	This is normal.
	Door left open.	Check to see if package is holding door open.
	Hot weather or frequent door openings.	This is normal.
	Temperature controls set at the coldest setting.	See Temperature Control section.
Refrigerator or freezer compartment too warm	Temperature control not set cold enough.	See Temperature Control section.
	Warm weather or frequent door openings.	Set the temperature control one step colder. See Temperature Control section.
	Door left open.	Check to see if package is holding door open.
Frost or ice crystals on frozen food (frost within package is normal)	Door left open.	Check to see if package is holding door open.
	Too frequent or too long door openings.	This is normal.
Divider between refrigerator and freezer compartments feels warm.	Automatic energy saver system circulates warm liquid around the front edge of the freezer compartment.	This helps prevent condensation on the outside.
Automatic ice maker does not work (if installed).	Ice maker power switch is in the OFF position.	Set the power switch to ON position.
	Water supply turned off or not connected.	See Installing the water line section of the ice maker installation instructions.
	Freezer compartment too warm.	Wait 24 hours for the refrigerator to completely cool down.
	Piled up cubes in the storage bin cause the ice maker to shut off.	Level cubes by hand.
	Ice cubes stuck in ice maker.	Turn off the ice maker, remove cubes, and turn the ice maker back on.
Ice cubes have bad odor/taste	Ice storage bin needs cleaning.	Empty and wash bin. Discard old ice.
	Food transmitting odor/taste to ice	Wrap foods well.
	Interior of refrigerator needs cleaning.	See Care and Cleaning section.
Slow ice cube freezing	Door left open.	Check to see if package is holding door open.



# Troubleshooting Tips... Before you call for service

Problem	Possible Causes	What to Do
Frequent buzzing sound from the ice maker (if installed).	Ice maker power switch is in the ON position but the water supply to the refrigerator has not been connected.	Set the power switch to the OFF position. Keeping it in the ON position will damage the water valve.
No ice cube production (if ice maker is installed).	Supply line or shutoff valve is clogged.	Call a plumber.
Refrigerator has odor.	Foods transmitting odor to refrigerator.	Foods with strong odors should be tightly wrapped. Keep an open box of baking soda in the refrigerator; replace every 3 months.
	Interior needs cleaning.	See Care and Cleaning section.
Moisture forms on outside of refrigerator.	Not unusual during periods of high humidity.	Wipe surface dry.
Moisture collects inside (in humid weather, air carries moisture into refrigerator when doors are opened)	Due to the higher humidity in the refrigerator, you may on occasion experience fog or small amounts of moisture in the refrigerator compartment.	This is normal and may come and go as different food loads and environmental conditions change. Wipe dry with a paper towel if desired.
Interior light does not work	No power at the outlet.	Replace fuse or reset the breaker.
	Light bulb is burned out.	See Care and Cleaning section.
Hot air from the bottom of the refrigerator	Normal air flow cooling motor. In the refrigeration process, it is normal that heat be expelled in the area under the refrigerator. Some floor coverings are sensitive and will discolor at these normal and safe temperatures.	This is normal.
Refrigerator never shuts off but the temperatures are ok.	Adaptive defrost keeps compressor running during door openings.	This is normal. The refrigerator will cycle off after the door remains closed for 2 hours.
Door not closing properly.	Door gasket on hinge side sticking or folding over.	Apply paraffin wax to the face of the gasket.
Door does not close by itself	Leveling legs need adjusting.	See Rollers and Leveling Legs in the Installation instructions section.
Freezer door opens when refrigerator door is closed.	This is normal if the door closes after it pops open.	This indicates that there is a good seal on the freezer door. If the freezer door does not automatically close after popping open, then see <b>Door does not close by itself</b> , above.
Food freezing in the refrigerator.	Food too close to the air vent at the back of the refrigerator.	Move food away from the air vent.
	Refrigerator control is set too cold.	Move the refrigerator control to a warmer temperature.
Handle is loose/handle has a gap.	Handle needs to be adjusted.	See Reversing Door Handles in the Installation Instructions section.



# Refrigerator Limited Warranty

**For US Customers**, all warranty service provided by our Factory Service Centers, or an authorized Customer Care® technician. To schedule service, on-line, 24 hours a day, visit us at **GEAppliances.com**, or call 800.GE.CARES (800.432.2737). Please have serial number and model number available when calling for service.

**In Canada**, call 800.561.3344.

For the Period of:	GE Appliances Will Replace
<b>One Year</b> From the date of the original purchase	<b>Any part</b> of the refrigerator which fails due to a defect in materials or workmanship. During the <b>limited one-year warranty</b> , GE Appliances will also provide, <b>free of charge</b> , all labor and related service to replace the defective part.

## What is Not Covered:

- Service trips to your home to teach you how to use the product.
- Improper installation, delivery or maintenance.
- Failure of the product if it is abused, misused, or used for other than the intended purpose or used commercially.
- Loss of food due to spoilage.
- Replacement of house fuses or resetting of circuit breakers.
- Damage caused after delivery.
- Replacement of the water filter cartridge, if included, due to water pressure that is outside the specified operating range or due to excessive sediment in the water supply.
- Replacement of the light bulbs, if included, or water filter cartridge, if included, other than as noted above.
- Damage to the product caused by accident, fire, floods or acts of God.
- Incidental or consequential damage caused by possible defects with this appliance.
- Product not accessible to provide required service.
- Damage caused by a non-GE Brand water filter.
- Damage to finish, such as surface rust, tarnish, or small blemishes not reported within 48 hours of delivery.
- Products which are not defective, broken, or which are working as described in the owner's manual.

**EXCLUSION OF IMPLIED WARRANTIES—Your sole and exclusive remedy is product repair as provided in this Limited Warranty. Any implied warranties, including the implied warranties of merchantability or fitness for a particular purpose, are limited to one year or the shortest period allowed by law.**

**For US Customers:** This limited warranty is extended to the original purchaser and any succeeding owner for products purchased for home use within the USA. If the product is located in an area where service by a GE Appliances Authorized Servicer is not available, you may be responsible for a trip charge or you may be required to bring the product to an Authorized GE Appliances Service location for service. In Alaska, the limited warranty excludes the cost of shipping or service calls to your home.

Some states do not allow the exclusion or limitation of incidental or consequential damages. This limited warranty gives you specific legal rights, and you may also have other rights which vary from state to state. To know what your legal rights are, consult your local or state consumer affairs office or your state's Attorney General.

**Warrantor US: GE Appliances, a Haier company**  
**Louisville, KY 40225**

**For Customers in Canada:** This limited warranty is extended to the original purchaser and any succeeding owner for products purchased in Canada for home use within Canada. In-home warrant service will be provided in areas where it is available and deemed reasonable by Mabe to provide.

**Warrantor Canada: MC Commercial, Inc., Burlington, Ontario, L7R 5B6**

Staple your receipt here. Proof of the original purchase date is needed to obtain service under the warranty.

# Accessory

## Ice Maker Accessory Kit:

### **⚠ WARNING**

Connect to potable water supply only.  
A cold water supply is required for automatic icemaker operation. The water pressure must be between 40 and 120 psi (275-827 kilopascals)

An IM4D ice maker accessory kit is available at extra cost.

For ice maker installation, follow Installation Instruction "V" using the short (8") fill tube assembly, unless fill tube is already installed.

To order, call GE Appliances at 800.GECARES (800.432.2737) or visit **GEAppliances.com**. In Canada, visit **GEAppliances.ca** or call 800.561.3344.

### **AUTOMATIC ICE MAKER**

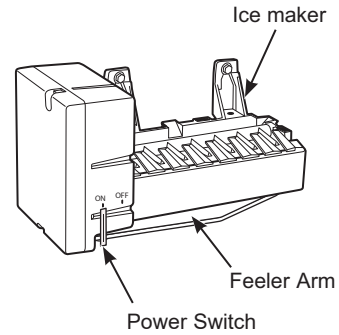
The ice maker will produce approximately 70-100 cubes in a 24-hour period, depending on the freezer compartment temperature, room temperature, number of door openings and other use conditions.

If the refrigerator is operated before the water connection is made to the ice maker, set the switch **OFF**.

When the refrigerator has been connected to the water supply, set the switch **ON** position.

The ice maker will fill with water when it cools to 15°F. A newly-installed refrigerator may take 12 to 24 hours to begin making ice cubes.

Once the ice maker starts to make ice, it may take up to 48 hours to fill the bin, depending on the temperature settings and number of door openings.



You will hear a buzzing sound each time the ice maker fills with water.

**NOTICE:** Throw away the first few batches of ice to allow the water line to clear.

Be sure nothing interferes with the sweep of the feeler arm.

When the bin fills to the level of the feeler arm, the ice maker will stop producing ice.

It is normal for several cubes to be joined together.

If ice is not used frequently, old ice cubes will become cloudy, taste stale, shrink or fuse together.

### **⚠ CAUTION**

Avoid contact with the moving parts of the ejector mechanism, or with the heating element (located on the bottom of the ice maker) that releases the cubes. Do not place fingers or hands on the automatic ice making mechanism while the refrigerator is plugged in.

# Consumer Support

---

## GE Appliances Website

Have a question or need assistance with your appliance? Try the GE Appliances Website 24 hours a day, any day of the year! You can also shop for more great GE Appliances products and take advantage of all our on-line support services designed for your convenience. In the US: [GEAppliances.com](http://GEAppliances.com) In Canada: [GEAppliances.ca](http://GEAppliances.ca)

---

## Register Your Appliance

Register your new appliance on-line at your convenience! Timely product registration will allow for enhanced communication and prompt service under the terms of your warranty, should the need arise. You may also mail in the pre-printed registration card included in the packing material.

In the US: [GEAppliances.com/register](http://GEAppliances.com/register)

In Canada: [Prodsupport.mabe.ca/crm/Products/ProductRegistration.aspx](http://Prodsupport.mabe.ca/crm/Products/ProductRegistration.aspx)

---

## Schedule Service

Expert GE Appliances repair service is only one step away from your door. Get on-line and schedule your service at your convenience any day of the year. In the US: [GEAppliances.com/service](http://GEAppliances.com/service) or call 800.432.2737 during normal business hours.

In Canada: [GEAppliances.ca/en/support/service-request](http://GEAppliances.ca/en/support/service-request) or call 800.561.3344

---

## Extended Warranties

Purchase a GE Appliances extended warranty and learn about special discounts that are available while your warranty is still in effect. You can purchase it on-line anytime. GE Appliances Services will still be there after your warranty expires.

In the US: [GEAppliances.com/extended-warranty](http://GEAppliances.com/extended-warranty) or call 800.626.2224 during normal business hours.

In Canada: [GEAppliances.ca/en/support/purchase-extended-warranty](http://GEAppliances.ca/en/support/purchase-extended-warranty) or call 866.277.9842

---

## Remote Connectivity

For assistance with wireless network connectivity (for models with remote enable), visit our website at [GEAppliances.com/connect](http://GEAppliances.com/connect) or call 800.220.6899.

In Canada: [GEAppliances.ca/connected-home-smart-appliances/](http://GEAppliances.ca/connected-home-smart-appliances/) or call 800.220.6899.

---

## Parts and Accessories

Individuals qualified to service their own appliances can have parts or accessories sent directly to their homes (VISA, MasterCard and Discover cards are accepted). Order on-line today 24 hours every day.

In the US: [GEApplianceparts.com](http://GEApplianceparts.com) or by phone at 877.959.8688 during normal business hours.

**Instructions contained in this manual cover procedures to be performed by any user. Other servicing generally should be referred to qualified service personnel. Caution must be exercised, since improper servicing may cause unsafe operation.**

Customers in Canada should consult the yellow pages for the nearest Mabe service center, visit our website at [GEAppliances.ca/en/products/parts-filters-accessories](http://GEAppliances.ca/en/products/parts-filters-accessories) or call 800.661.1616.

---

## Contact Us

If you are not satisfied with the service you receive from GE Appliances, contact us on our Website with all the details including your phone number, or write to:

In the US: General Manager, Customer Relations | GE Appliances, Appliance Park | Louisville, KY 40225

[GEAppliances.com/contact](http://GEAppliances.com/contact)

In Canada: Director, Consumer Relations, Mabe Canada Inc. | Suite 310, 1 Factory Lane | Moncton, N.B. E1C 9M3

[GEAppliances.ca/en/contact-us](http://GEAppliances.ca/en/contact-us)

---



# Congélateur au sommet RÉFRIGÉRATEUR

**MESURES DE SÉCURITÉ** .....3

**UTILISATION DU RÉFRIGÉRATEUR**  
 Bouton de commande de la température.....5  
 Clayettes de réfrigérateur.....5  
 Bacs de rangement .....6  
 Clayette de congélateur .....6

**ENTRETIEN ET NETTOYAGE**....7

**INSTRUCTIONS D'INSTALLATION**  
 Préparation à l'installation du réfrigérateur .....9  
 Inversion de l'ouverture des portes .....10

**DÉPANNAGE**  
 Bruits normaux de fonctionnement .....13  
 Conseils de dépannage.....14

**GARANTIE LIMITÉE** .....16

**ACCESSORY**.....17

**SOUTIEN AU CONSOMMATEUR**.....18

**MANUEL D'UTILISATION ET INSTRUCTIONS D'INSTALLATION**

Modèles GTS21

**FRANÇAIS**

Écrivez ici le numéro de modèle et le numéro de série :

Modèle # \_\_\_\_\_

Série # \_\_\_\_\_

Vous les trouvez sur une étiquette dans le coin supérieur gauche du compartiment réfrigérateur.

## **NOUS VOUS REMERCIONS D'ACCUEILLIR GE APPLIANCES CHEZ VOUS**

---

Que vous ayez grandi avec GE Appliances ou qu'il s'agisse de votre première acquisition, nous sommes heureux de vous accueillir dans notre famille.

Nous sommes fiers du savoir-faire, de l'innovation et de l'esthétique qui composent chaque appareil GE Appliances, et nous pensons que vous le serez aussi. Dans cette optique, nous vous rappelons que l'enregistrement de votre électroménager vous assure la communication de renseignements importants sur le produit et la garantie lorsque vous en avez besoin.

Enregistrez votre électroménager GE en ligne dès maintenant. Des sites Web et des numéros de téléphone utiles figurent dans la section Soutien au consommateur de ce manuel d'utilisation. Vous pouvez aussi poster la fiche de garantie pré-imprimée incluse dans l'emballage.



**GE APPLIANCES**

# INFORMATION DE SÉCURITÉ IMPORTANTES

## LISEZ TOUTES LES DIRECTIVES AVANT D'UTILISER L'APPAREIL

### ⚠ AVERTISSEMENT

Pour réduire le risque d'incendie, d'explosion, de choc électrique ou de blessures lorsque vous utilisez votre réfrigérateur, veuillez suivre ces consignes de sécurité :

- Ce réfrigérateur doit être correctement installé conformément aux Consignes d'Installation avant toute utilisation.
- Débranchez le réfrigérateur avant d'effectuer une réparation, de remplacer une ampoule ou de le nettoyer.  
**Remarque :** L'alimentation du réfrigérateur ne peut être déconnectée par aucune des fonctions sur le panneau de commande.  
**Remarque :** Les réparations doivent être effectuées par un professionnel qualifié.
- Remettez toutes les pièces et panneaux en place avant d'utiliser l'appareil.
- N'utilisez pas un cordon de rallonge.
- Abstenez-vous d'entreposer ou d'utiliser de l'essence ou d'autres vapeurs et liquides inflammables aux alentours de cet électroménager ou d'autres appareils.
- N'entreposez pas dans cet électroménager des substances explosives telles que des bombes aérosols qui contiennent un gaz propulseur.
- Pour éviter les risques d'asphyxie et d'enfermement pour les enfants. Démontez les portes du congélateur et du compartiment de réfrigération avant de le mettre au rebut ou d'interrompre son utilisation.
- Les enfants et les personnes dont les capacités sont réduites sur le plan physique, sensoriel ou mental, ou qui manquent d'expérience ou de connaissances, peuvent utiliser cet électroménager seulement si elles sont surveillées ou ont reçues des consignes de sécurité sur son usage et les risques y sont associés.
- Cet électroménager est conçu pour une utilisation domestique et applications similaires : salle du personnel dans une usine, un bureau ou d'autres lieux de travail; maison de ferme; clients dans un hôtel, un motel, un gîte touristique et d'autres lieux résidentiels; approvisionnement et applications similaires non reliées au commerce de détail.
- N'appliquez pas de nettoyants corrosifs sur le réfrigérateur. Certains nettoyants endommagent le plastique et peuvent ainsi causer le détachement inopiné de pièces telles que porte ou poignées de porte. Voyez la section Entretien et nettoyage pour des instructions détaillées.

### ⚠ ATTENTION

Pour réduire le risque de blessures lorsque vous utilisez votre réfrigérateur, veuillez suivre ces consignes de sécurité.

- Ne nettoyez pas les clayettes ou les couvercles en verre avec de l'eau tiède quand ceux-ci sont froids. Les clayettes et couvercles en verre peuvent se casser s'ils sont exposés à des changements soudains de température ou si vous les cognez ou les faites tomber. Le verre trempé est conçu pour se briser en petits morceaux en cas de casse.
- Éloignez les doigts des parties du congélateur où l'on peut facilement se pincer : les espaces entre les portes, et entre les portes et les placards sont toujours étroits. Soyez prudent lorsque vous fermez les portes en présence d'enfants.
- Ne touchez pas les surfaces froides du congélateur lorsque vous avez les mains humides ou mouillées. La peau risque d'adhérer à ces surfaces extrêmement froides.
- Ne recongelez pas les aliments surgelés qui ont complètement dégelé.
- Si votre réfrigérateur est doté d'une machine à glaçons automatique, évitez le contact avec les pièces mobiles du mécanisme éjecteur, ou avec l'élément chauffant qui libère les glaçons. Ne posez pas les doigts ou les mains sur le mécanisme de la machine à glaçons automatique pendant que le réfrigérateur est branché.

## INSTALLATION

### ⚠ AVERTISSEMENT



### RISQUE D'EXPLOSION

Conservez les matériaux et vapeurs inflammables tels que l'essence à l'écart de votre réfrigérateur. Une explosion, un incendie voire la mort pourrait en résulter.

# LIRE ET CONSERVER CES INSTRUCTIONS

# INFORMATION DE SÉCURITÉ IMPORTANTES

## LISEZ TOUTES LES DIRECTIVES AVANT D'UTILISER L'APPAREIL

### BRANCHEMENTS ÉLECTRIQUES

#### ▲ AVERTISSEMENT



#### RISQUE DE CHOC ÉLECTRIQUE

Branchez l'appareil dans une prise triple avec terre.

Ne retirez pas la broche de terre.

N'utilisez pas d'adaptateur.

N'utilisez pas un cordon de rallonge.

Le non-respect de ces instructions peut entraîner des risques d'incendies, des chocs électriques ou la mort.

**Ne coupez pas ou n'enlevez pas, sous aucun prétexte, la troisième broche de mise à la terre du cordon d'alimentation. Pour des raisons de sécurité, cet appareil doit être correctement mis à la terre.**

Le cordon d'alimentation de cet appareil est équipé d'une fiche à trois broches (pour une mise à la terre) qui s'adapte à la prise de courant standard à 3 broches (pour une mise à la terre) pour minimiser les risques de chocs électriques par cet appareil.

Faites vérifier la prise murale et le circuit électrique par un électricien qualifié pour s'assurer que le système est correctement mis à la terre.

Dans le cas d'une prise biphasée, l'installateur a la responsabilité et l'obligation de la remplacer par une prise triphasée correctement mise à la terre. N'utilisez pas d'adaptateur.

Le réfrigérateur doit toujours être branché à sa propre prise électrique d'une tension nominale correspondant à celle indiquée sur sa plaque signalétique.

Une alimentation électrique à 115 volts CA, 60 Hz, avec un fusible de 15 ou 20 ampères et une mise à la terre est nécessaire. Ceci permet d'obtenir un meilleur rendement et évite de surcharger les circuits électriques du domicile qui risque d'occasionner un incendie en surchauffant.

Ne débranchez jamais le réfrigérateur en tirant sur le cordon d'alimentation. Prenez toujours fermement la fiche en main et tirez pour la sortir de la prise.

Réparez ou remplacez immédiatement tout cordon électrique usé ou endommagé. N'utilisez pas un cordon fissuré ou présentant des dommages dus aux frottements soit sur sa longueur ou aux extrémités.

Lorsque vous éloignez votre réfrigérateur du mur, faites attention à ne pas le faire rouler sur le cordon d'alimentation afin de ne pas l'endommager.

### MISE AU REBUT APPROPRIÉE DE VOTRE ANCIEN RÉFRIGÉRATEUR

#### ▲ AVERTISSEMENT

#### RISQUE DE SUFFOQUER OU D'Y ÊTRE EMPRISONNÉ

Le non-respect de ces instructions d'élimination peut entraîner la mort ou des blessures graves.

**IMPORTANT:** Les enfants pris au piège ou morts d'asphyxie sont toujours d'actualité. Les réfrigérateurs et congélateurs abandonnés sont toujours aussi dangereux, même si on n'attend que «quelques jours» pour s'en débarrasser. Si vous ne gardez pas votre ancien réfrigérateur ou congélateur, veuillez suivre les directives ci-dessous afin de prévenir les accidents.

#### Avant de vous débarrasser de votre ancien appareil :

- Démontez les portes du compartiment de réfrigération et du compartiment de congélation.
- Laissez les clayettes en place afin d'empêcher les enfants de grimper à l'intérieur.

#### Mise au rebut des produits réfrigérants et en mousse

Mettez l'électroménager au rebut conformément à la réglementation fédérale et locale. Les matières isolantes inflammables utilisées exigent des procédures de mise au rebut spéciales. Communiquez avec les autorités locales pour connaître la façon de mettre votre électroménager au rebut qui soit respectueuse de l'environnement.

## LIRE ET CONSERVER CES INSTRUCTIONS

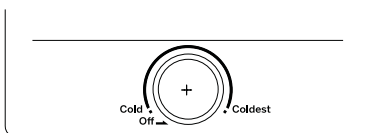


## Commande de la température

La commande de température règle le réfrigérateur depuis le plus chaud jusqu'au plus froid. Il existe une commande pour le réfrigérateur et une commande pour le congélateur.

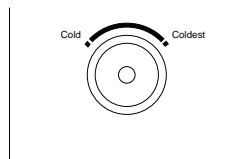
### Commande de température du réfrigérateur

Votre réfrigérateur est livré avec le réglage d'usine recommandé à la position intermédiaire. Pour une température plus froide, tournez le bouton dans le sens des aiguilles vers Coldest (plus froid). Pour une température plus chaude, tournez le bouton dans le sens contraire des aiguilles vers Cold (froid). Pour arrêter le refroidissement dans les deux compartiments, tournez le bouton dans le sens contraire des aiguilles jusqu'à la position Off (arrêt) verticale. Vous percevrez le clic de la commande et le bouton ne tournera pas plus loin. Prenez note que cela ne coupe pas l'alimentation électrique au réfrigérateur.



### Commande de circulation d'air du congélateur

Une commande sur la tour d'air dans le congélateur contrôle la quantité d'air froid dans le congélateur. La commande de température effective se trouve seulement dans le compartiment réfrigérateur.



## Clayettes du compartiment réfrigérateur

Les clayettes se placent à différents niveaux vous permettant de personnaliser l'espace de rangement.

Clayettes illustrées ci-dessous dans les emplacements recommandés.

Toutes les caractéristiques ne sont pas disponibles sur tous les modèles.

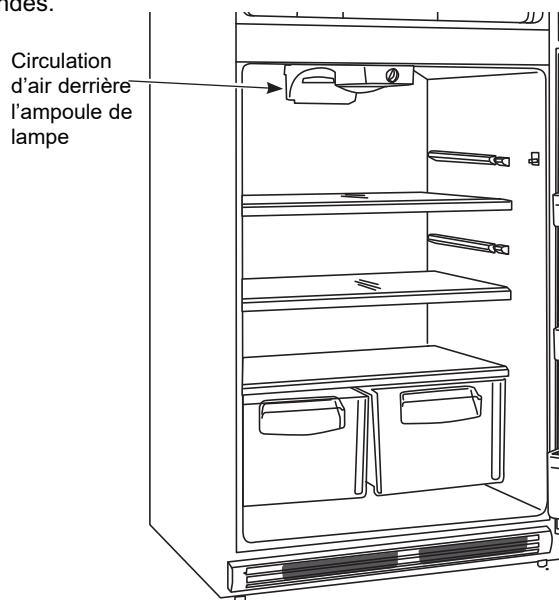
### Clayettes pleine largeur

Quelques modèles sont équipés de tablettes en verre trempé fixes, une tablette antigoutte ou de tablettes fixes bimétalliques. Vous pouvez déplacer ces clayettes à un autre endroit du compartiment réfrigérateur.

Certains modèles possèdent une clayette coulissante métallique, une clayette en verre trempée fixe, une clayette anti-déversement ou deux clayettes fixes métalliques.

**ATTENTION** Ne nettoyez pas les clayettes de verre ni les couvercles à l'eau chaude lorsqu'ils sont froids. Les clayettes de verre et les couvercles peuvent éclater s'ils sont exposés à de brusques changements de température ou à un impact suite à un choc ou une chute. Le verre trempé est conçu pour éclater en de multiples petits morceaux s'il se brise.

**REMARQUE** : Ne placez pas des articles directement contre les sorties d'air au risque de les bloquer. Des températures erratiques pourraient en résulter.

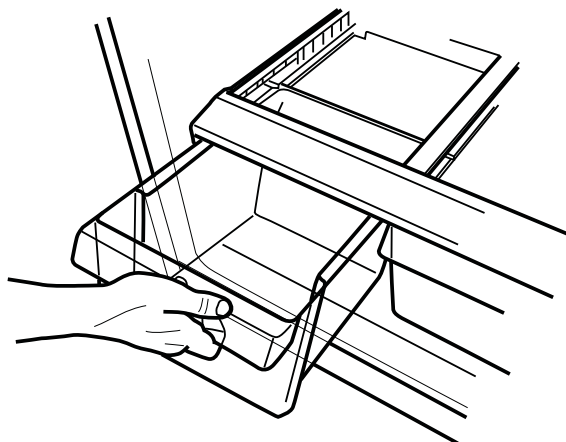


## Rangement

### Tiroir climatisé

Conservez les fruits et les légumes dans des compartiments séparés pour un accès facile.

Essuyez l'eau accumulée dans le fond ou en dessous des bacs.



### Enlèvement du bac de rangement

Vous pouvez enlever facilement les bacs en relevant légèrement les côtés lorsque le bac dépasse la position de butée.

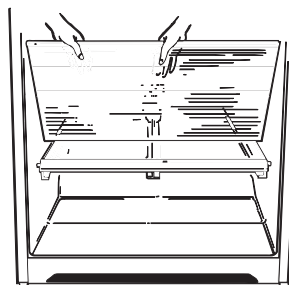
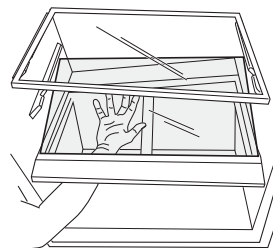
### Retrait du couvercle

**Pour enlever les bacs:**

1. Enlevez les deux bacs.
2. Placez vos mains à l'intérieur, pousser le dos du couvercle en verre vers le haut. Inclinez-le et enlevez-le. Évitez de nettoyer le couvercle en verre froid avec de l'eau chaude, car la grande différence de température peut le briser.
3. Enlevez le cadre du bac (enlevez toujours le couvercle en verre avant d'enlever le cadre). Soulevez le cadre des supports de chaque côté et derrière, tirez-le vers l'avant. Inclinez-le pour le retirer.

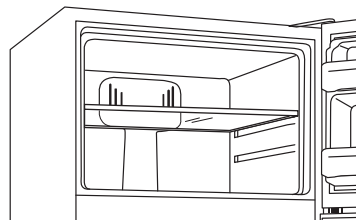
**Pour remettre les bacs:**

1. Placez le cadre pour qu'il repose sur les supports de chaque côté et derrière.
2. Remplacez le couvercle en verre.
3. Remplacez les bacs.



## Clayette du compartiment congélateur

Lorsqu'elles sont placées correctement sur leurs supports, les deux clayettes fixes se bloqueront avant de sortir complètement du congélateur et elles ne pencheront pas si vous y placez ou retirez des aliments.



### ATTENTION

Ne nettoyez pas les tablettes ou couvercles en verre avec de l'eau chaude lorsqu'ils sont froids. Les tablettes et couvercles en verre peuvent se briser s'ils sont exposés à une variation de température soudaine, ou soumis à un impact s'ils sont heurtés ou échappés. S'il se brise, le verre trempé est conçu pour se fracturer en un grand nombre de petits éclats.

## Nettoyage

### Directives pour nettoyer les surfaces extérieures, les poignées de porte et les garnitures

UTILISER	NE PAS UTILISER
Linge ou éponge doux et propres	Linges abrasifs, éponges à récurer, tampons à récurer ou en laine d'acier.
Détergent doux dans eau chaude. Nettoyants pour acier inoxydable approuvés; visitez la boutique de pièces GE Appliances pour des nettoyants pour acier inoxydable approuvés : <a href="http://Electromenagersge.ca/fr/produits/filtres-et-accessoires">Electromenagersge.ca/fr/produits/filtres-et-accessoires</a> ou appeler 800.661.1616  On peut utiliser des nettoyants à base d'acide oxalique tels que Bar Keepers Friend Soft Cleanser™ pour éliminer la rouille de surface, le ternissement et les petites taches sur les surfaces en acier inoxydable seulement.	Poudres ou vaporisateurs abrasifs. Vaporisateurs pour fenêtres ou ammoniac. Nettoyants à base d'agrumes ou de plantes. Nettoyants acides ou à base de vinaigre. Nettoyants pour le four. Nettoyants qui contiennent de l'acétone (propanone). Tout nettoyant avec AVERTISSEMENT relatif au contact du plastique.

**REMARQUE :** Ne laissez PAS un nettoyant pour acier inoxydable venir au contact de pièces en plastique telles que garnitures, quincaillerie de poignée ou doublures. Si un contact non intentionnel d'un nettoyant avec une pièce en plastique survient, nettoyez la pièce en plastique avec une éponge et un détergent doux mélangé dans l'eau chaude.

## Nettoyage du condenseur

**⚠ AVERTISSEMENT** Pour réduire le risque de décès ou de choc électrique, vous devez observer ces directives :

- Débranchez le réfrigérateur avant de retirer tout panneau.
- Ne touchez ni n'endommagez le câblage lors du retrait du panneau.
- Remplacez toutes les pièces et les panneaux avant de rebrancher le réfrigérateur.

Périodiquement, le condenseur du réfrigérateur se couvrira de poussière et de saleté. Cela peut nuire à l'efficacité du refroidissement et consommer davantage d'énergie.

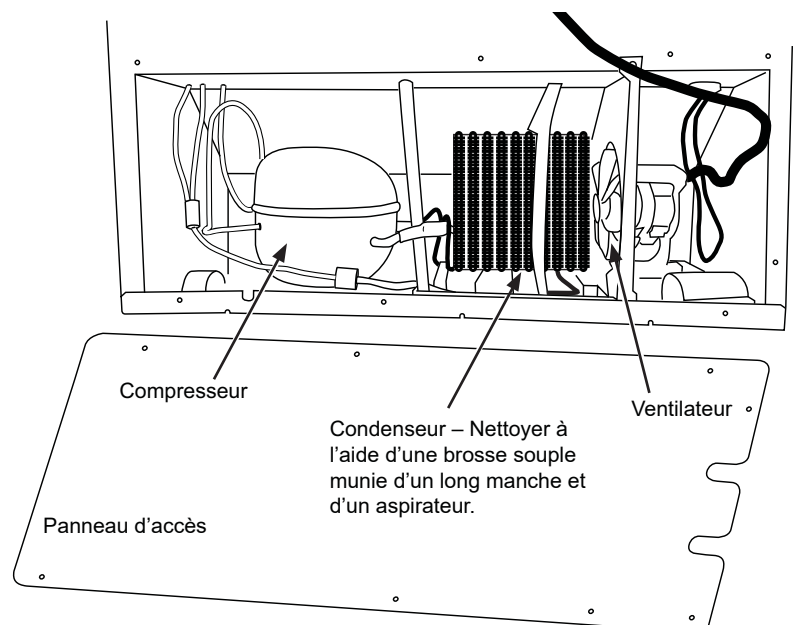
Vous pouvez améliorer l'efficacité de votre réfrigérateur en nettoyant le condenseur. Il est situé à l'arrière du réfrigérateur, dans le bas, derrière le panneau d'accès.

Le nettoyage du condenseur nécessite un tournevis à tête étoilée, un aspirateur et une brosse souple munie d'un long manche.

### Pour nettoyer le condenseur :

1. Mettez le réfrigérateur hors tension.
2. Tournez les pieds de nivellement à chacun des coins avant du réfrigérateur dans le sens inverse des aiguilles jusqu'à ce que les roulettes supportent le réfrigérateur.
3. Roulez le réfrigérateur suffisamment à l'écart pour que vous puissiez accéder à sa partie inférieure arrière. Assurez-vous de ne pas déconnecter les conduites d'eau à votre réfrigérateur.
4. Débranchez le réfrigérateur.
5. Utilisez le tournevis à tête étoilée pour retirer les vis qui fixent le panneau d'accès au réfrigérateur.
6. Repérez le condensateur. Il se trouve entre le compresseur et le ventilateur. Il a la forme d'un carré noir composé de tubes à ailettes.

7. Passez l'aspirateur sur le condenseur. Utilisez la brosse pour dégager délicatement la poussière et la saleté des espaces et des ailettes du condenseur.
8. Une fois le condenseur propre, remettez le panneau d'accès en place en posant toutes les vis.
9. Rebranchez le réfrigérateur.
10. Remettez-le à la position normale. Tournez les pieds dans le sens des aiguilles jusqu'à ce que les pieds supportent de nouveau le poids du réfrigérateur. Mettez aussi le réfrigérateur de niveau tel que requis.
11. Remettez le réfrigérateur sous tension et tournez la commande dans le sens des aiguilles jusqu'au réglage intermédiaire (vertical) ou à la position précédente de la commande. Vérifiez que le réfrigérateur se remet à fonctionner.



## Entretien et nettoyage

### Nettoyage de l'intérieur

Pour aider à empêcher les odeurs, laissez une boîte ouverte de bicarbonate de soude dans les compartiments réfrigération et congélation.

**Débranchez votre réfrigérateur avant de le nettoyer.**

Si ce n'est pas pratique, enlevez toute humidité au moyen d'une éponge ou d'un chiffon pour nettoyer autour des commutateurs, des lumières ou des réglages.

Utilisez une solution d'eau chaude et de bicarbonate de soude 15 ml (soit une cuillère à soupe environ) de bicarbonate de soude dans 1 litre (soit une pinte) d'eau. Cette solution nettoie tout en neutralisant les odeurs. Rincez et séchez en essuyant.

Après avoir nettoyé les joints de porte, appliquez une mince couche de vaseline sur les joints du côté charnières afin de les empêcher de coller et de se déformer.

**⚠ ATTENTION** Ne nettoyez pas les tablettes ou couvercles en verre avec de l'eau chaude lorsqu'ils sont froids. Les tablettes et couvercles en verre peuvent se briser s'ils sont exposés à une variation de température soudaine, ou soumis à un impact s'ils sont heurtés ou échappés. S'il se brise, le verre trempé est conçu pour se fracturer en un grand nombre de petits éclats. Ne lavez aucune pièce en plastique du réfrigérateur au lave-vaisselle.

### Écartement du réfrigérateur

Soyez prudent en écartant le réfrigérateur du mur. Cela peut endommager tous les types de recouvrement de plancher, en particulier les recouvrements coussins et ceux dont la surface est gaufrée.

Tournez les pieds de nivellement dans le sens contraire des aiguilles à chaque coin avant du réfrigérateur jusqu'à ce que les roulettes supportent le réfrigérateur. Tirez le réfrigérateur en ligne droite et remettez-le à sa place en poussant en ligne droite. Déplacer le réfrigérateur latéralement peut endommager le recouvrement de plancher et le réfrigérateur.

En poussant le réfrigérateur à sa place, assurez-vous de ne pas rouler sur le cordon électrique ou la conduite d'alimentation en eau de la machine à glaçons (certains modèles).

Une fois le réfrigérateur roulé à sa place, tournez les pieds dans le sens des aiguilles jusqu'à ce qu'ils supportent le poids du réfrigérateur.

### Remplacement de l'ampoule

**⚠ AVERTISSEMENT** Avant de remplacer une ampoule grillée, le réfrigérateur doit être débranché afin d'éviter le contact avec un filament sous tension. (Une ampoule grillée peut se briser lors de son remplacement.) Le courant du circuit de la lampe n'est pas interrompu même en tournant le bouton de la commande de température vers la position OFF (arrêt).

Selon votre modèle, les lampes des compartiments réfrigérateur et congélateur nécessitent soit des ampoules DEL 5 watts avec culot moyen, soit des ampoules incandescentes 40 watts pour électroménagers avec culot moyen. Suivez les instructions relatives à votre modèle.

#### IMPORTANT:

- Utilisez seulement des ampoules de rechange DEL homologuées UL qui sont recommandées pour des environnements mouillés/humides. Les compartiments réfrigérateur et congélateur sont considérés comme de tels environnements. Si vous utilisez une marque d'ampoule DEL autre que celles recommandées, avant l'installation, veuillez lire et suivre toutes les instructions de l'emballage. Les ampoules DEL devraient être de 5 watts avec culot moyen.
- Si une ampoule incandescente remplace une ampoule DEL, utilisez seulement des ampoules incandescentes pour électroménagers d'un maximum de 40 watts avec culot moyen.

### Préparation de départ en vacances

Pour de longues vacances ou absences, enlevez tous vos aliments et débranchez votre réfrigérateur. Mettez le bouton de commande de la température en position OFF et nettoyez l'intérieur avec une solution de bicarbonate de soude, de 15 ml (une cuillère à soupe) de bicarbonate de soude pour 1 litre (une pinte) d'eau. Laissez les portes ouvertes.

Il faut mettre la machine à glaçons hors tension si le réfrigérateur en est équipé; mettez l'interrupteur à la position OFF (arrêt) s'il s'agit d'un modèle à interrupteur. Coupez l'alimentation d'eau au réfrigérateur.

Si la température risque de descendre en dessous du point de congélation, demandez à un technicien qualifié de purger votre système d'alimentation d'eau (sur certains modèles) pour empêcher des inondations pouvant occasionner des dégâts sérieux.

### Préparation de déménagement

Fixez en place toutes les pièces mobiles, comme la grille, les clayettes et les tiroirs, à l'aide de ruban adhésif, pour empêcher tout dommage.

À l'aide de ruban adhésif, fixez les portes sur la carrosserie pour empêcher les portes de s'ouvrir lors d'un déménagement. Assurez-vous que votre réfrigérateur soit en position droite pendant le déménagement.

# Instructions d'installation Modèles GTS21

Des Questions ? Appelez 800.GE.CARES (800.432.2737) ou consultez notre site internet : [GEAppliances.com](http://GEAppliances.com)  
 Au Canada, appelez le 1.800.561.3344 ou consultez notre site internet : [electromenagersge.ca](http://electromenagersge.ca)

## AVANT DE COMMENCER

Lisez ces instructions entièrement et attentivement.

- **IMPORTANT** – Conservez ces instructions pour l'inspecteur local.
- **IMPORTANT** – Respectez toutes les ordonnances et les codes locaux.
- **Note à l'installateur** – Assurez-vous de laisser ces instructions au consommateur.
- **Note au consommateur** – Conservez ces instructions pour référence future.
- **Niveau de compétence** – L'installation de cet appareil nécessite des compétences mécaniques de base.
- **Temps d'installation** – Installation du réfrigérateur: 15 minutes  
 Inversion du sens d'ouverture des portes : 15 minutes
- L'installateur est responsable de bien installer ce réfrigérateur.
- Toute panne du produit due à une mauvaise installation n'est pas couverte par la garantie.

## EMPLACEMENT DU RÉFRIGÉRATEUR

- N'installez jamais votre réfrigérateur dans un emplacement où la température ambiante sera inférieure à 12.7°C (55°F). Il ne se mettra pas en marche suffisamment souvent pour maintenir des températures convenables.
- N'installez pas le réfrigérateur dans un endroit où la température ambiante sera supérieure à 37°C, il ne fonctionnera pas correctement.
- N'installez pas le réfrigérateur dans un endroit exposé à l'eau (pluie, etc.) ou directement aux rayons solaires.
- Installez votre réfrigérateur sur un plancher suffisamment solide pour le porter lorsqu'il est plein.

## DÉGAGEMENTS

Laissez un dégagement de 2 po (50 mm) à l'arrière pour faciliter l'installation, la circulation d'air et les connexions électriques et de plomberie.

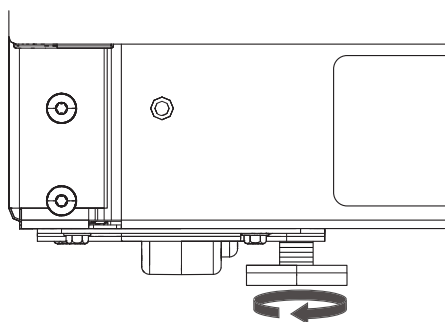
## ROULETTES ET PIEDS DE NIVELLEMENT

Les **pieds de nivellement** situés à proximité des coins avant du réfrigérateur sont réglables. Ils maintiennent fermement le réfrigérateur en place et l'empêchent de bouger lors de l'ouverture des portes. Les pieds de nivellement doivent être réglés de sorte que l'avant du réfrigérateur soit suffisamment relevé pour que les portes se ferment facilement lorsqu'elles se trouvent à mi-parcours.

**Tournez** les pieds de nivellement vers la droite pour relever le réfrigérateur, vers la gauche pour l'abaisser.

Les roulettes situées à proximité des pieds de nivellement vous permettent de déplacer le réfrigérateur du mur pour le nettoyage.

Tournez les pieds vers la gauche jusqu'à ce que le poids du réfrigérateur soit transféré sur les roulettes. Après avoir remis le réfrigérateur en place, tournez les pieds vers la droite jusqu'à ce qu'ils supportent le poids du réfrigérateur.



# Instructions d'installation

## INVERSION DE L'OUVERTURE DES PORTES

### ⚠ AVERTISSEMENT

Suivez toutes les étapes pour inverser le sens d'ouverture de porte. L'omission de suivre ces instructions, de ne pas utiliser toutes les pièces, ou le serrage excessif des vis, peuvent causer la chute de la porte et occasionner des blessures ou des dommages à la propriété.

### NOTES IMPORTANTES

Pour inverser le sens d'ouverture des portes :

- Lisez toutes les directives avant de commencer.
- Serrez toutes les vis de charnière, sans force excessive pour éviter de fausser le filetage.
- Manipulez les pièces avec précaution pour éviter de rayer la peinture.
- Placez les vis avec leurs pièces associées pour éviter de les perdre.
- Posez les portes sur un plan de travail qui ne risque pas de rayer la peinture.

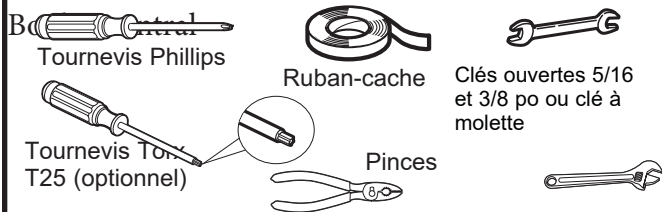
### ⚠ ATTENTION Portes pesantes

Les portes des compartiments réfrigérateur et congélateur sont lourdes. Utilisez les deux mains pour immobiliser les portes avant le soulèvement.

**IMPORTANT :** Une fois commencée votre inversion du sens d'ouverture des portes, ne déplacez jamais votre réfrigérateur avant d'avoir terminé.

Ces directives s'appliquent à l'inversion des charnières du côté droit au côté gauche. Si vous voulez remettre les charnières à droite, suivez les mêmes directives en inversant toutes les références aux côtés gauche et droit.

### OUTILS REQUIS

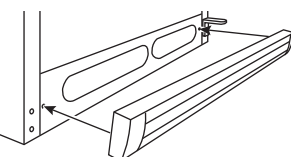


### AVANT DE COMMENCER

1. Débranchez le réfrigérateur.
2. Videz tous les balconnets y compris le compartiment laitier.

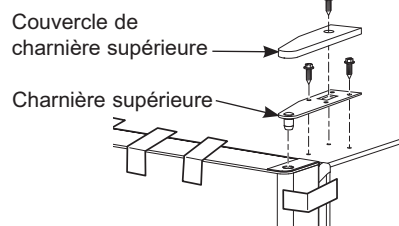
**IMPORTANT:** Ne laissez pas tomber la porte sur le sol ce qui pourrait endommager la butée de porte.

3. Retirez la grille frontale si elle est installée.

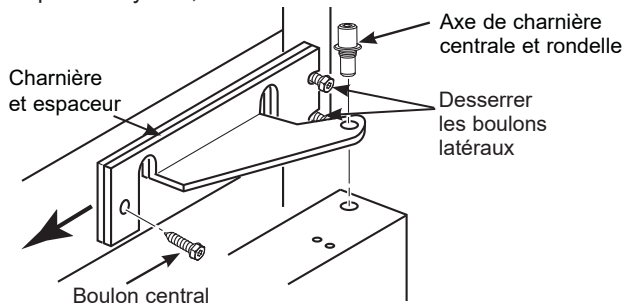


### RETRAIT DES PORTES

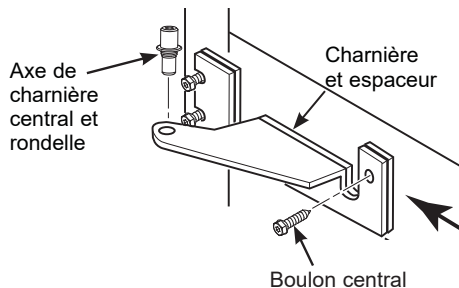
1. Immobilisez la porte du congélateur en position fermée avec du ruban-cache.
2. Retirez le couvercle de charnière et les vis qui fixent la charnière supérieure à la carrosserie.



3. Enlevez la charnière en la soulevant pour libérer l'axe de charnière du trou sur le dessus de la porte et mettez-la de côté avec ses vis.
4. Retirez le ruban adhésif. Soulevez la porte pour la dégager de l'axe de charnière central et placez la porte sur une surface antiégratignure avec la surface extérieure vers le haut.
5. Dévissez l'axe de charnière centrale. Assurez-vous de conserver la ou les rondelles en plastique pour la réinstallation. Retirez la porte du réfrigérateur de la charnière inférieure et déposez-la sur une surface sans risque de rayures, côté extérieur vers le haut.



6. Utilisez une clé ou un tournevis Torx T25 pour retirer la charnière centrale et le ou les espaceur(s) en plastifiant le boulon central, desserrant les boulons latéraux et glissant la charnière vers le centre de la carrosserie. Resserrer les boulons en place et replacez le boulon central.
7. Retirez le boulon central du côté opposé et desserrez les boulons latéraux. Retournez la charnière centrale et l'espaceur de façon que l'emplacement de l'axe de charnière soit vers l'extérieur. Glissez la charnière centrale et l'espaceur derrière les boulons latéraux. Reposez le boulon central et serrez les boulons latéraux.

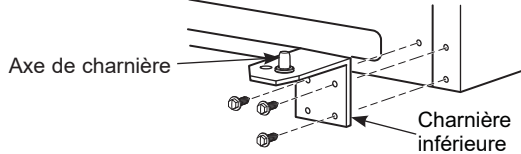




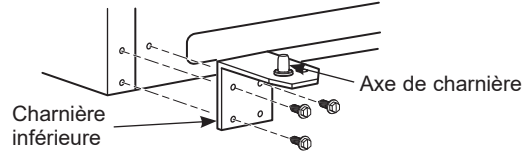
## INVERSION DE L'OUVERTURE DES PORTES (SUITE)

### RETRAIT DES PORTES (Suite)

8. Retirez les boulons de charnière inférieure et repositionnez la charnière inférieure sur le côté opposé de la carrosserie. Serrez les boulons.



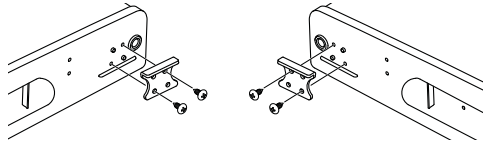
9. Desserrez l'axe de charnière et insérez-le dans l'autre trou puis serrez.



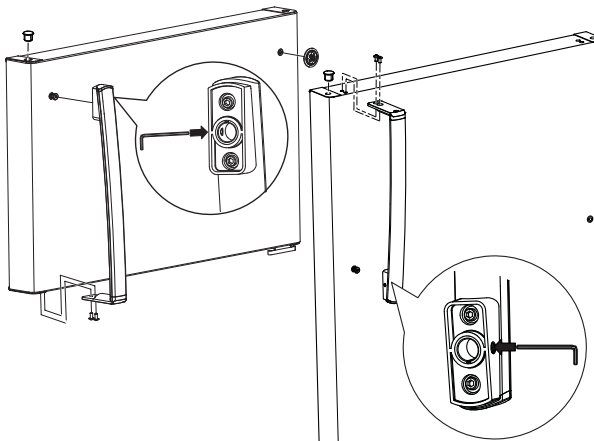
### INVERSION DES POIGNÉES DE PORTE

#### Poignée en acier inoxydable

1. Enlevez les vis de la poignée dans le haut de la porte du réfrigérateur.
2. Desserrez la vis de pression de la poignée à l'aide de la clé 1/8 po fournie.
3. Retirez la poignée de porte.
4. Inversez les positions de la fixation de poignée et du bouchon sur le devant de la porte.
5. Déplacez les capuchons des grands et petits trous dans le haut et le devant de la porte pour boucher les trous maintenant libres.



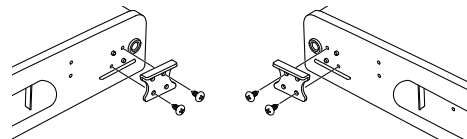
6. Sur les portes des deux compartiments, réfrigérateur et congélateur, retirez les vis de la butée de porte sur un côté à l'aide d'un tournevis à tête étoilée. Posez la butée de porte de l'autre côté de la porte.
7. Fixez la poignée de la porte du réfrigérateur à l'aide de vis dans le haut de la poignée. Utilisez la clé hexagonale 1/8 po pour serrer la vis de pression dans le bas de la poignée.
8. Fixez la poignée sur la porte du congélateur à l'aide de vis dans le bas de la poignée. Utilisez la clé hexagonale 1/8 po pour serrer la vis de pression dans le haut de la poignée.
9. Fixez l'écusson sur la porte du congélateur du côté opposé de la poignée.



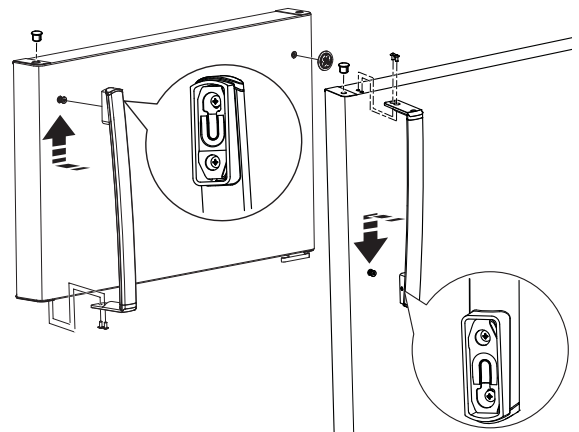
### INVERSION DES POIGNÉES DE PORTE (Suite)

#### Montage de la poignée de plastique

1. Enlevez les vis de la poignée dans le haut de la porte du réfrigérateur. Enlevez les vis de la poignée dans le bas de la porte du réfrigérateur.
2. Enlevez la poignée de la porte du réfrigérateur en la glissant vers le haut pour la dégager de la fixation. Enlevez la poignée de la porte du congélateur en la glissant vers le bas pour la dégager de la fixation.
3. Inversez les positions de la fixation de poignée et du bouchon sur le devant de la porte.
4. Déplacez les capuchons des grands et petits trous dans le haut et le devant de la porte pour boucher les trous maintenant libres.



5. Sur les portes des deux compartiments, réfrigérateur et congélateur, retirez les vis de la butée de porte sur un côté à l'aide d'un tournevis à tête étoilée. Posez la butée de porte de l'autre côté de la porte.
6. Fixez la poignée sur la porte du réfrigérateur en la glissant vers le bas sur la fixation puis à l'aide de vis dans le haut de la poignée.
7. Fixez la poignée sur la porte du congélateur en la glissant vers le haut sur la fixation puis à l'aide de vis dans le bas de la poignée.
8. Fixez l'écusson sur la porte du congélateur du côté opposé de la poignée.





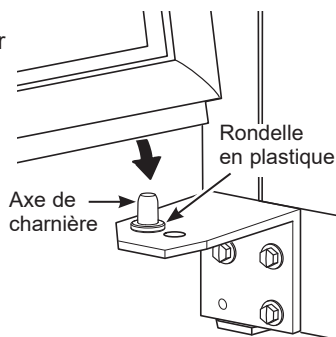
# Instructions d'installation

## INVERSION DE L'OUVERTURE DES PORTES (SUITE)

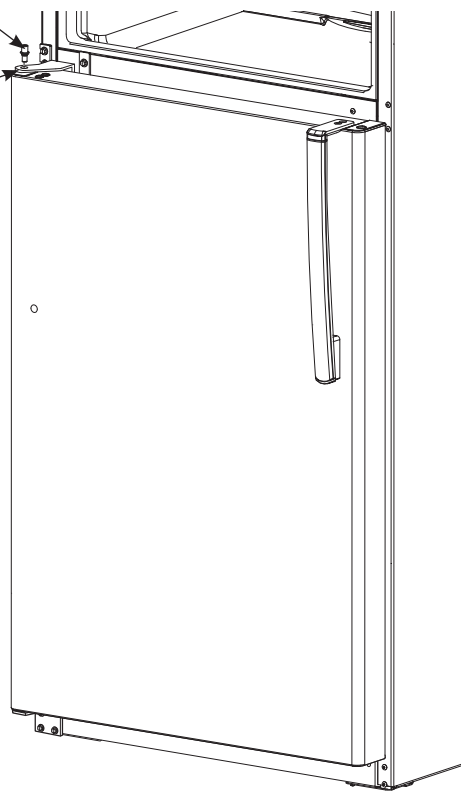
### REMISE EN PLACE DES PORTES

1. Abaissez la porte du compartiment réfrigérateur sur l'axe de charnière inférieur. Assurez-vous que la rondelle est en place sur l'axe.

2. Inclinez la porte vers la carrosserie. Lorsque la porte arrive en position, alignez le logement dans la porte sur le trou dans la charnière centrale. Placez l'axe de charnière central dans le trou de la charnière centrale, puis serrez. Assurez-vous que la rondelle se trouve sur le dessus de l'axe.



Axe de charnière avec rondelle  
Charnière centrale



### REMISE EN PLACE DES PORTES (Suite)

3. Placez la porte du congélateur sur l'axe de charnière centrale. Assurez-vous que la rondelle est en place sur l'axe.

4. Inclinez la porte vers la carrosserie, en soulevant la charnière supérieure de façon que l'axe s'insère dans le logement dans le haut de la porte.

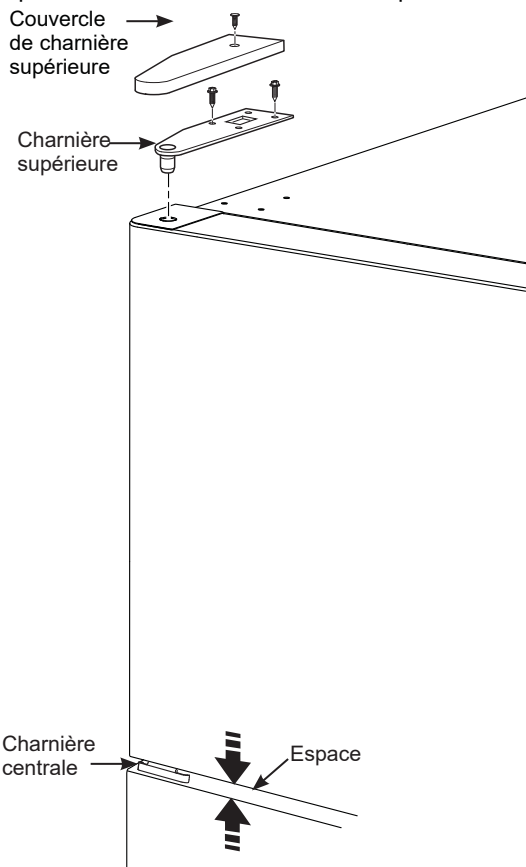
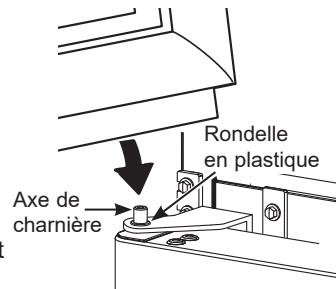
5. S'assurer que la porte est légèrement au-dessus du haut de la carrosserie et que l'espace entre les portes est uniforme sur l'ensemble du devant. Serrer les vis de la charnière supérieure. Ne serrez pas ces vis excessivement. Serrez-les jusqu'au bout, puis d'un autre demi-tour.

6. Remplacez le couvercle de charnière supérieure.

Couvercle de charnière supérieure

Charnière supérieure

Charnière centrale



# Bruits normaux de fonctionnement

Le son des nouveaux réfrigérateurs diffère de celui des anciens. Les réfrigérateurs modernes disposent de plus de fonctions et d'une technologie plus avancée.

## Entendez-vous ce que j'entends? Ces bruits sont normaux.

- Le nouveau compresseur à rendement élevé peut fonctionner plus longtemps et plus vite que votre ancien réfrigérateur et vous pouvez entendre un son modulé ou un ronflement aigu pendant son fonctionnement.
- Vous pouvez entendre un sifflement lorsque les portes se ferment. Cela vient de l'équilibrage de pression dans le réfrigérateur.

**HUMMM...**  
**WOUUCH...**

**OUIR !**



- Vous pouvez entendre les ventilateurs tourner à hautes vitesses. Cela se produit lorsque le réfrigérateur vient d'être branché, lorsque les portes sont ouvertes fréquemment ou lors de l'ajout d'une grande quantité d'aliments dans les compartiments congélateur ou réfrigérateur. Les ventilateurs permettent de maintenir les bonnes températures.

## CLICS, CLAQUEMENTS, CRAQUEMENTS et GRÉSILLEMENTS

- Vous pouvez entendre des craquements ou des claquements lorsque le réfrigérateur est branché pour la première fois. Cela se produit lorsque le réfrigérateur se refroidit à la bonne température.
- Le compresseur peut causer un clic ou un grésillement lors de la tentative de redémarrage (cela peut prendre 5 minutes).
- L'expansion et la contraction des serpentins de refroidissement pendant et après le dégivrage peuvent causer un craquement ou un claquement.
- Sur les modèles équipés d'une machine à glaçons, après un cycle de fabrication de glaçons, vous pouvez entendre les glaçons tomber dans le bac.



## BRUITS D'EAU

- Le passage de l'agent frigorigère dans les serpentins de refroidissement du congélateur peut être accompagné d'un gargouillement semblable à celui de l'eau en ébullition.
- L'eau tombant sur l'élément chauffant de dégivrage peut faire un bruit de grésillement, de claquement ou de bourdonnement pendant le cycle de dégivrage.
- Un bruit de suintement d'eau peut être entendu pendant le cycle de dégivrage lorsque la glace de l'évaporateur fond et tombe dans le bac de récupération.
- Fermer la porte peut causer un gargouillement en raison de l'équilibrage de pression.

## Conseils de dépannage... Avant de faire un appel de service

Économisez temps et argent! Consultez d'abord les tableaux des pages suivantes et vous pourriez vous éviter un appel de service. Au besoin, vous pouvez programmer un appel de service en nous visitant sur **GEAppliances.com** ou en composant le 800.GECARES 800.432.2737. Au Canada, visitez **GEAppliances.ca** ou composez le 800.561.3344.

Problème	Causes possibles	Que faire
Le réfrigérateur ne fonctionne pas	Le cycle de dégivrage est en cours.	Attendez environ 30 minutes afin que le cycle de dégivrage se termine.
	Une des commandes ou les deux est sur la position OFF (arrêt).	Réglez les commandes de température à une température plus basse.
	Le réfrigérateur est débranché.	Enfoncez complètement la fiche de l'appareil dans la prise murale.
	Le fusible est grillé/le disjoncteur est déclenché.	Remplacez le fusible ou réenclenchez le disjoncteur.
Le moteur fonctionne pendant de longues périodes ou il s'allume et s'éteint fréquemment en alternance. (Les appareils modernes dotés de compartiments réfrigérateur et congélateur de grand volume exigent un temps de fonctionnement plus long. Ils démarrent et s'arrêtent souvent pour maintenir des températures uniformes.	Ceci est normal lorsque le réfrigérateur vient d'être branché.	Attendre 24 heures pour que le réfrigérateur refroidisse complètement.
	Ceci est fréquent lorsqu'une grande quantité d'aliments a été placée dans le réfrigérateur.	C'est normal.
	La porte est restée ouverte.	Check to see if package is holding door open.
	Temps chaud ou ouverture fréquente des portes.	C'est normal.
	La température est réglée sur la température la plus basse.	Voyez la section Bouton de la commande de température.
Température trop élevée dans le congélateur ou le réfrigérateur	La température n'est pas réglée sur une température assez basse.	Voyez la section Bouton de la commande de température.
	Temps chaud ou ouverture fréquente des portes.	Réglez la commande des températures sur une température plus basse. Voyez la section Bouton de la commande de température.
	La porte est restée ouverte.	Un paquet empêche peut-être la fermeture de la porte.
Givre sur les aliments surgelés (il est normal que du givre se forme à l'intérieur du paquet)	La porte est restée ouverte.	Un paquet empêche peut-être la fermeture de la porte.
	Ouverture trop fréquente ou trop longue des portes.	C'est normal.
La séparation entre le réfrigérateur et le congélateur est chaude	Le système automatique d'économie d'énergie fait circuler du liquide tiède à l'avant du compartiment de congélation.	Ceci permet d'éviter des problèmes de condensation sur l'extérieur de l'appareil.
La machine à glaçons ne fonctionne pas (si elle est installée).	L'interrupteur d'alimentation de la machine à glaçons est à la position OFF (arrêt).	Réglez l'interrupteur d'alimentation à la position ON (marche).
	L'alimentation en eau est coupée ou n'est pas raccordée.	Voyez la section Installation de la conduite d'eau dans les instructions d'installation de la machine à glaçons.
	Le compartiment congélateur est trop chaud.	Attendez 24 heures pour que la température du réfrigérateur se stabilise.
	Un amas de glaçons dans le bac provoque l'arrêt de la machine à glaçons.	Nivelez les glaçons à la main.
	Cubes de glace sont coincés dans le distributeur.	Débranchez le distributeur, enlevez les cubes et rebranchez le distributeur.
Odeur/saveur anormale des glaçons	Il faut nettoyer le bac à glaçons.	Videz et lavez le bac à glaçons. Jetez les vieux glaçons.
	Des aliments ont transmis leur odeur/goût aux glaçons.	Emballez bien les aliments
	Il faut nettoyer l'intérieur du réfrigérateur.	Voir la section Entretien et nettoyage.

# Conseils de dépannage... Avant de faire un appel de service

Problème	Causes possibles	Que faire
Formation lente des glaçons	La porte est restée ouverte.	Un paquet empêche peut-être la fermeture de la porte.
Bourdonnement fréquent de la machine à glaçons (si elle est installée).	Le commutateur de marche de la machine à glaçons est dans la position ON (marche), mais l'arrivée d'eau au réfrigérateur n'a pas été raccordée.	Réglez le commutateur de marche sur la position OFF (arrêt), car le garder dans la position ON (marche) endommagera le robinet d'eau.
Pas de production de glace (si la machine à glaçons est installée).	La conduite d'eau ou le robinet d'arrêt est bouché.	Appelez un plombier.
Odeur dans le réfrigérateur	Des aliments ont transmis leur odeur au réfrigérateur.	Les aliments à odeur forte doivent être emballés hermétiquement. Gardez une boîte ouverte de bicarbonate de soude dans le réfrigérateur.
	Il faut nettoyer l'intérieur.	Voir la section Entretien et nettoyage.
De la condensation s'accumule à l'extérieur	Cela n'est pas inhabituel pendant les périodes de forte humidité.	Essuyez bien la surface extérieure.
De la condensation s'accumule à l'intérieur (par temps humide, l'ouverture des portes laisse entrer de l'humidité)	Étant donné le taux d'humidité plus élevé dans le compartiment du réfrigérateur, il est possible d'y déceler la présence de brouillard ou de petites quantités de buée de temps à autre.	Ce phénomène est normal et son apparition sera fonction des variations de la charge d'aliments et des conditions ambiantes. Sécher à l'aide d'un essuie-tout si désiré.
L'éclairage intérieur ne fonctionne pas	Il n'y a pas de courant au niveau.	Remplacez le fusible ou réenclenchez le disjoncteur.
	L'ampoule est grillée.	Voir la section Entretien et nettoyage.
Air chaud à la base du réfrigérateur	Courant d'air normal provenant du moteur. Pendant le processus de réfrigération, il est normal que de la chaleur soit expulsée à la base du réfrigérateur. Certains revêtements de sol sont sensibles et peuvent se décolorer sous l'effet de cette température de fonctionnement normale qui est sans danger.	C'est normal.
Le réfrigérateur ne s'arrête jamais mais les températures sont normales	La fonction de dégivrage maintient le compresseur en marche au cours de l'ouverture des portes.	Ceci est normal. Le réfrigérateur passe sur cycle d'arrêt lorsque les portes ont été fermées pendant 2 heures.
La porte ne se ferme pas correctement.	Le joint de la porte du côté des charnières est collé ou replié.	Mettre une couche de cire de paraffine sur le joint de la porte.
La porte ne ferme pas seul	Vous devez ajuster les pieds de nivellement.	Voyez Roulettes et pieds de nivellement dans la section Instructions d'installation.
La porte de congélation s'ouvre quand la porte du réfrigérateur est fermée	C'est normal si, après s'être ouvert, la porte de congélation se referme tout seul.	Cela indique que la porte du congélateur est dotée d'un bon joint d'étanchéité. Si la porte du congélateur ne se referme pas automatiquement après s'être ouverte, alors voyez l'article <b>La porte ne se ferme pas seule ci-dessus</b> .
Les aliments gèlent dans le compartiment réfrigération	Les aliments sont trop près de l'ouverture de circulation d'air à l'arrière du compartiment réfrigération.	Éloignez les aliments de l'ouverture de circulation d'air.
	Le réglage de votre réfrigérateur est trop froid.	Réglez votre réfrigérateur à une température plus chaude
La poignée est lâche/ Il y a un espace vide pour la poignée	Vous devez ajuster la poignée de porte.	Voyez Inversion des poignées de porte dans la section Instructions d'installation.

# Garantie limitée du réfrigérateur

Toutes les réparations en vertu de la garantie sont fournis par nos Centre de Service d'Usine ou par un technicien autorisé Customer Care®. Pour prévoir une réparation, consultez notre site [electromenagersge.ca/fr/soutien/demande-de-service](http://electromenagersge.ca/fr/soutien/demande-de-service) ou appelez le 800.661.1616. Veuillez avoir votre numéro de série et votre numéro de modèle à portée de main lorsque vous appelez pour obtenir un service.

<b>Pendant la période de :</b>	<b>GE Appliances remplacera</b>
<b>Un An</b> A compter de la date d'achat initial	<b>Toute pièce du réfrigérateur qui s'avère défectueuse en raison d'un défaut de matériau ou de fabrication. Pendant la validité de la présente garantie limitée d'un an, GE Appliances fournira également gratuitement la main d'œuvre et le service pour réparer la pièce défectueuse.</b>

**Ce qui n'est pas couvert :**

- Les déplacements à votre domicile pour vous expliquer l'utilisation de ce produit
- Une installation, livraison ou maintenance défectueuse.
- Une panne du produit par abus d'utilisation, par mauvaise utilisation, par modification ou s'il a été utilisé dans un but autre que celui pour lequel il a été fabriqué.
- Détérioration des aliments.
- Le remplacement des fusibles ou le réenclenchement du disjoncteur du domicile.
- Les dommages causés après la livraison.
- Le remplacement de la cartouche filtrante, si incluse, à cause d'une pression d'eau en dehors de la gamme de fonctionnement recommandée ou à cause d'une concentration excessive de sédiments dans l'eau d'alimentation.
- Le remplacement des ampoules, si incluses, ou la cartouche filtrante, si incluse, et dans des conditions autres que celles susmentionnées.
- Tout dommage causé par accident, incendie, inondation ou une catastrophe naturelle.
- Tout dommage fortuit ou indirect causé par des défauts éventuels de cet appareil.
- Le service s'il est impossible d'avoir accès au produit.
- Dommages causés par l'utilisation d'un filtre qui n'est pas de marque GE Appliances.
- Les dommages à la finition, tels que rouille de surface, ternissement ou petites taches, non signalés dans un délai de 48 heures suivant la livraison.
- Les produits n'étant pas défectueux, brisés ou qui fonctionnent selon la description du manuel du propriétaire.

**EXCLUSION DES GARANTIES TACITES - Votre recours exclusif est l'échange du produit suivant les modalités de la Garantie Limitée. Toutes garanties tacites, y compris les garanties de valeurs marchandes ou d'adéquation à des fins particulières, sont limitées à une durée d'un an ou à la durée la plus courte autorisée par la loi.**

**Pour les clients des États-Unis :** Cette garantie limitée est étendue à l'acheteur d'origine et aux propriétaires suivants pour tout produit acheté pour une utilisation domestique aux États-Unis. Si le produit est installé dans une région où ne se trouve aucun réparateur autorisé GE, vous devrez peut-être assumer les frais de transport ou apporter l'appareil à un centre de service autorisé GE. En Alaska, la garantie limitée exclut le coût d'expédition ou de dépannage à votre domicile.

Certains états n'acceptent pas d'exclusion ou de limites aux dommages indirects consécutifs. Cette garantie limitée vous accorde des droits particuliers et il peut exister d'autres droits qui varient selon l'État ou la province. Pour connaître vos droits juridiques, veuillez consulter le bureau local ou le bureau d'état des affaires aux consommateurs ou le Procureur Général de votre état.

**Garant : États-Unis : GE Appliances, a Haier company**  
**Louisville, KY**

**For Customers in Canada:** Cette garantie limitée est étendue à l'acheteur d'origine et aux propriétaires suivants pour tout produit acheté aux Canada pour une utilisation domestique aux Canada. Le service à domicile en vertu de la garantie sera fourni dans les régions où il est disponible et où Mabe estime raisonnable de le fournir.

**Garant Canada : MC Commercial, Inc., Burlington, Ontario, L7R 5B6**

Agrafez votre facture ici. Pour bénéficier du service de réparation sous garantie, une preuve de la date d'achat initial est nécessaire.

## Trousse de machine à glaçons :

### ⚠ AVERTISSEMENT

Raccordez-vous à une alimentation en eau potable seulement.

Une alimentation en eau potable est requise pour le fonctionnement de la machine à glaçons. La pression d'eau doit se situer entre 40 et 120 psi (275 à 827 kilopascals).

La trousse de machine à glaçons IM4D est offerte en supplément.

Pour l'installation de la machine à glaçons, suivez les instructions d'installation « V » en utilisant l'ensemble de tuyau de remplissage court (8 po), sauf si le tuyau de remplissage est déjà installé.

Pour commander, appelez GE Appliances au 800.561.3344 ou visitez [Electromenagersge.ca/fr/produits/filtres-et-accessoires](http://Electromenagersge.ca/fr/produits/filtres-et-accessoires).

### MACHINE À GLAÇONS AUTOMATIQUE

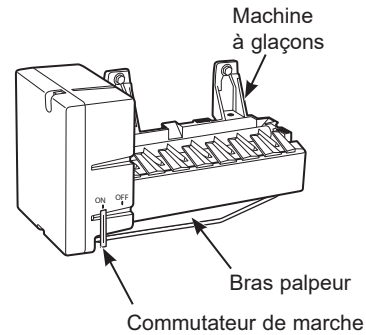
La machine à glaçons produit sept glaçons par cycle, soit environ 70 à 100 glaçons par 24 heures, selon la température du compartiment congélation, la température de la pièce, le nombre de fois que la porte est ouverte et les autres conditions d'utilisation.

Si vous faites fonctionner le réfrigérateur avant de raccorder l'eau à la machine à glaçons, mettez le commutateur de marche en position OFF (arrêt).

Après avoir raccordé le réfrigérateur à l'alimentation d'eau, mettez le commutateur de marche en position ON (marche).

La machine à glaçons se remplira d'eau lorsqu'elle refroidira à 15 °F. Un réfrigérateur nouvellement installé prend de 12 à 24 heures pour commencer à produire des glaçons.

Une fois que la machine à glaçons commence à produire de la glace, le remplissage du bac peut prendre jusqu'à 48 heures, selon les réglages de température et la fréquence d'ouverture de porte.



Vous entendrez un bourdonnement chaque fois que la machine à glaçons se remplit d'eau.

**NOTICE:** Jetez les premiers lots de glaçons pour permettre à la conduite d'eau de se purger

Assurez-vous que rien ne gêne la course du bras palpeur.

Quand le bac se remplit jusqu'au niveau du bras palpeur, la machine à glaçons s'arrête de produire des glaçons.

Il est normal de trouver des glaçons qui soient soudés ensemble.

Si vous n'utilisez pas souvent vos glaçons, les vieux glaçons deviennent opaques, prennent un mauvais goût, rétrécissent et fusionnent.

### ⚠ ATTENTION

Évitez de toucher aux pièces mobiles du mécanisme d'éjection ou l'élément chauffant (situé dans le bas de la machine) qui libère les cubes. Ne placez ni les doigts ni les mains sur le mécanisme de production de glace automatique lorsque le réfrigérateur est branché (dans une prise électrique).



# Soutien au consommateur

---

## Site Web de GE Appliances

Vous avez une question ou vous avez besoin d'aide pour votre appareil électroménager? Visitez le site Web de GE Appliances 24 heures par jour, tous les jours de l'année! Vous pouvez aussi y trouver d'autres formidables produits GE Appliances et tirer avantage de tous nos services d'assistance en ligne. Aux États-Unis : **GEAppliances.com**  
Au Canada : **ElectromenagersGE.ca**

---

## Enregistrez votre électroménager

Enregistrez votre nouvel appareil en ligne au moment qui vous convient le mieux! L'enregistrement de votre produit dans les délais prescrits permet une meilleure communication et un service rapide, selon les modalités de votre garantie, si besoin est. Vous pouvez également envoyer par courrier la carte d'enregistrement pré-imprimée qui se trouve dans l'emballage de votre appareil.

Aux États-Unis : **GEAppliances.com/register**

Au Canada : **Prodsupport.mabe.ca/crm/Products/ProductRegistration.aspx**

---

## Service de réparation

Un service de réparation expert GE Appliances se trouve à quelques pas de chez vous. Rendez-vous sur notre site et programmez, à votre convenance, une visite de réparation à n'importe quel jour de l'année.

Aux États-Unis : **GEAppliances.com/service** ou composez le 800.432.2737 durant les heures normales de bureau.

Au Canada : **Electromenagersge.ca/fr/soutien/demande-de-service** ou composez le 800.561.3344

---

## Prolongation de garantie

Procurez-vous une prolongation de garantie GE Appliances et informez-vous des rabais spéciaux en vigueur pendant la durée de votre garantie. Vous pouvez vous la procurer en ligne en tout temps. Les services GE Appliances seront toujours disponibles après l'expiration de la garantie. Aux États-Unis :

**GEAppliances.com/service** ou composez le 800.626.2224 durant les heures normales de bureau.

Au Canada : **Electromenagersge.ca/fr/soutien/achat-d-une-garantie-prolongee** ou composez le 866.277.9842

---

## Connectivité à distance

Pour de l'assistance concernant la connectivité au réseau sans fil (pour les modèles équipés de cette fonction), visitez notre site Web au **GEAppliances.com/connect** ou composez le 800.220.6899 aux États-Unis seulement.

---

## Pièces et accessoires

Les personnes ayant les compétences requises pour réparer elles-mêmes leurs appareils peuvent recevoir directement à la maison des pièces ou accessoires (les cartes VISA, MasterCard et Discover sont acceptées). Commandez en ligne 24 heures par jour.

Aux États-Unis : **GEApplianceparts.com** ou par téléphone au 877.959.8688 durant les heures normales de bureau.

**Les instructions contenues dans le présent manuel comportent des procédures que tout utilisateur peut effectuer. Les autres types de réparation doivent généralement être confiés à un technicien qualifié. Utilisez de la prudence : une réparation ou un entretien mal effectués peuvent rendre l'utilisation de l'appareil dangereuse.**

Les consommateurs au Canada doivent consulter les pages jaunes pour connaître le centre de service Mabe le plus proche, visiter notre site Web au **Electromenagersge.ca/fr/produits/filtres-et-accessoires** ou composer le 1.800.661.1616.

---

## Communiquez avec nous

Si vous n'êtes pas satisfait du service après-vente de GE Appliances, communiquez avec nous depuis notre site Web en fournissant tous les détails dont votre numéro de téléphone, ou écrivez à :

Aux États-Unis : General Manager, Customer Relations | GE Appliances, Appliance Park | Louisville, KY 40225

**GEAppliances.com/contact**

Au Canada : Director, Consumer Relations, Mabe Canada Inc. | Suite 310, 1 Factory Lane | Moncton, N.B. E1C 9M3

**Electromenagersge.ca/fr/contactea-nous**

---



# Congelador Superior REFRIGERADORES

**INFORMACIÓN DE SEGURIDAD** .. 3

**OPERACIÓN DEL REFRIGERADORE**  
 Control de la temperatura..... 5  
 Estantes del refrigerador ..... 5  
 Cajóns. .... 6  
 Estante del Freezer ..... 6

**CUIDADO Y LIMPIEZA** ..... 7

**INSTRUCCIONES PARA LA INSTALACIÓN**  
 Preparación para instalar el refrigerador.... 9  
 Inversión de Balanceo de la Puerta. .... 10

**SOLUCIÓN DE PROBLEMAS**  
 Sonidos normales de operación ..... 13  
 Consejos para la solución de problemas ... 14

**GARANTÍA LIMITADA** ..... 16

**ACCESORIO** ..... 17

**SOPORTE AL CONSUMIDOR**..... 18

**MANUAL DEL PROPIETARIO E INSTRUCCIONES DE INSTALACIÓN**

Modelos GTS21

**ESPAÑOL**

Escriba los números de modelo y de serie aquí:

Nº de Modelo \_\_\_\_\_

Nº de Serie \_\_\_\_\_

Busque estos números en una etiqueta del lado izquierdo, cerca de la parte intermedia del compartimiento del refrigerador.

## **GRACIAS POR HACER QUE GE APPLIANCES SEA PARTE DE SU HOGAR.**

---

Ya sea que haya crecido usando GE Appliances, o que ésta es su primera vez, nos complace tenerlo en la familia.

Sentimos orgullo por el nivel de arte, innovación y diseño de cada uno de los electrodomésticos de GE Appliances, y creemos que usted también. Entre otras cosas, el registro de su electrodoméstico asegura que podamos entregarle información importante del producto y detalles de la garantía cuando los necesite.

Registre su electrodoméstico GE ahora a través de Internet. Sitios Web y números telefónicos útiles están disponibles en la sección de Soporte para el Consumidor de este Manual del Propietario.

También puede enviar una carta en la tarjeta de inscripción preimpresa que se incluye con el material embalado.



**GE APPLIANCES**

# INFORMACIÓN IMPORTANTE DE SEGURIDAD

## LEA TODAS LAS INSTRUCCIONES ANTES DE USAR

### ⚠️ ADVERTENCIA

A fin de reducir el riesgo de incendio, explosión, descargas eléctricas o lesiones al usar su refrigerador, siga estas precauciones básicas de seguridad:

- Este refrigerador se deberá instalar y ubicar adecuadamente de acuerdo con las Instrucciones de Instalación antes de ser usado.
- Desenchufe el refrigerador antes de hacer reparaciones, reemplazar una lámpara de luz o hacer una limpieza.  
Nota: La corriente que va al refrigerador no puede ser desconectada por ninguna configuración del panel de control.  
Nota: Las reparaciones deberán ser realizadas por un Profesional del Servicio Técnico calificado.
- Reemplace todas las piezas y paneles antes del uso.
- No use un prolongador.
- No guarde ni use gasolina u otros vapores inflamables y líquidos cerca de este ni de otro electrodoméstico.
- No guarde sustancias explosivas tales como latas de aerosoles con propelentes inflamables en este electrodoméstico.
- A fin de evitar riesgos de que los niños sufran asfixia o queden atrapados, retire las puertas de comidas frescas y del freezer de cualquier refrigerador antes de deshacerse o dejar de usar el mismo.
- Los niños y las personas con capacidad física, sensorial o mental reducida o con falta de experiencia y conocimiento podrán usar este electrodoméstico sólo si son supervisados o les fueron dadas instrucciones sobre un uso seguro y entienden los riesgos involucrados.
- Este electrodoméstico fue diseñado para uso hogareño y para aplicaciones similares tales como: áreas de personal de cocina en tiendas, oficinas y otros espacios laborales; casas de campo; por clientes en hoteles, moteles, hostales y otros espacios residenciales, catering y aplicaciones no minoristas similares.
- No aplique limpiadores ásperos sobre el refrigerador. Ciertos limpiadores dañarán el plástico, lo cual podrá hacer que ciertas piezas tales como la puerta o las manijas de las puertas se separen de forma inesperada. Para acceder a instrucciones detalladas, lea la sección de Cuidado y Limpieza.

### ⚠️ PRECAUCIÓN

A fin de reducir el riesgo de lesiones al usar el refrigerador, siga estas precauciones básicas.

- No limpie estantes de vidrio ni tapas con agua caliente cuando estén fríos. Los estantes de vidrio y las tapas se pueden romper si son expuestos a cambios de temperatura repentinos o impactos, tales como sacudones o caídas. El vidrio templado está diseñado para destruirse en pequeñas piezas en caso de rotura.
- Mantenga los dedos fuera de los espacios de "riesgo de lastimaduras"; los despejes entre las puertas y entre las puertas y el gabinete son necesariamente pequeños. Tenga el cuidado de cerrar las puertas cuando los niños se encuentren en el área.
- No toque las superficies frías del compartimiento del freezer cuando las manos estén húmedas o mojadas, ya que la piel se podrá adherir a estas superficies extremadamente frías.
- No vuelva a congelar comidas que hayan estado totalmente congeladas en forma previa.
- En refrigeradores con máquinas de hacer hielo automáticas, evite el contacto con las partes móviles del mecanismo eyector o con el elemento de calefacción que libera los cubos. No coloque los dedos ni las manos en el mecanismo de la máquina de hielo automática mientras el refrigerador esté enchufado.

## INSTALACIÓN

### ⚠️ ADVERTENCIA



### RIESGO DE EXPLOSIÓN

Mantenga cualquier material y vapores inflamables, tales como gasolina, alejados del refrigerador. Si no se cumple con esto se podrá producir una explosión, incendio o la muerte.

## LEA Y GUARDE ESTAS INSTRUCCIONES

# INFORMACIÓN IMPORTANTE DE SEGURIDAD LEA TODAS LAS INSTRUCCIONES ANTES DE USAR

## CONEXIÓN DE LA ELECTRICIDAD

### ⚠ ADVERTENCIA



### RIESGO DE DESCARGA ELÉCTRICA

Enchufe en un tomacorriente con conexión a tierra de 3 cables.

No elimine el cable de conexión a tierra.

No use un adaptador.

No use un prolongador.

Si no se siguen estas instrucciones se podrá producir a muerte, incendios o descargas eléctricas.

**Nunca, bajo ninguna circunstancia, corte o elimine el tercer cable (tierra) del cable de corriente. Para su seguridad personal, este electrodoméstico debe estar adecuadamente conectado a tierra.**

El cable de corriente de este electrodoméstico contiene un enchufe de 3 cables (conexión a tierra) que se conecta a un tomacorriente de pared estándar de 3 cables (conexión a tierra) para minimizar la posibilidad de riesgos de descargas eléctricas por parte del mismo.

Contrate a un electricista calificado para que controle el tomacorriente y el circuito eléctrico, a fin de asegurar que el enchufe esté correctamente conectado a tierra.

En caso de contar con un tomacorriente de pared de 2 cables, es su responsabilidad y obligación reemplazarlo por un tomacorriente de pared de 3 cables correctamente conectado a tierra. No use un adaptador.

El refrigerador debería estar siempre conectado a un enchufe específico con un índice de voltaje equivalente al que figura en su etiqueta de características técnicas.

Se requiere un suministro eléctrico con fusible y conexión a tierra de 115 voltios de CA, 60 Hz, 15 o 20 amperes. Esto garantiza el mejor funcionamiento y además previene la sobrecarga de los circuitos del hogar, lo cual podría ocasionar riesgos de incendio debido al recalentamiento de cables.

Nunca desenchufe el refrigerador tirando del cable de corriente. Siempre tome su enchufe firmemente y empuje el mismo hacia afuera para retirarlo.

Repáre o reemplace de inmediato todos los cables de corriente pelados o con cualquier tipo de daño. No use un cable con cortaduras o abrasión sobre su extensión o extremos.

Al alejar el refrigerador de la pared, se deberá tener cuidado de que no ruede sobre ni dañe el cable de corriente.

### ⚠ ADVERTENCIA

### PELIGRO DE SUFFOCATION Y ENTRAPMENT

El incumplimiento de estas instrucciones de eliminación puede causar la muerte o lesiones graves.

**IMPORTANTE:** Que un niño quede atrapado o que sufra una asfixia no son problemas del pasado. Los refrigeradores antiguos o abandonados aún son peligrosos, incluso aunque se conserven por "sólo unos pocos días". Si se deshará de su antiguo refrigerador, siga las siguientes instrucciones a fin de evitar accidentes.

#### Antes de Descartar su Antiguo Aparato:

- Retire las puertas de comidas frescas y del freezer.
- Deje los estantes en su lugar de modo que los niños no puedan trepar dentro con facilidad.

#### Cómo Eliminar Refrigerantes y Gomaespumas:

Descarte el electrodoméstico de acuerdo con las Regulaciones Federales y Locales. Comuníquese con las autoridades locales para descartar su electrodoméstico de forma ambientalmente segura

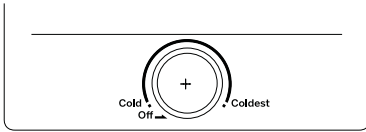
## LEA Y GUARDE ESTAS INSTRUCCIONES

# Control de la temperatura

El control de temperatura ajusta el refrigerador desde la configuración más caliente a la más fría. Cuenta tanto con un control del refrigerador como con un control del freezer.

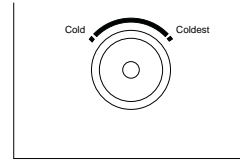
## Control de Temperatura del Refrigerador

Su refrigerador contará con una configuración de fábrica recomendada en la posición media. Para una temperatura más fría, gire la perilla en dirección de las agujas del reloj hasta Coldest (Lo Más Frío). Para una temperatura más cálida, gire la perilla en dirección contraria a las agujas del reloj hasta Cold (Frío). Para apagar la refrigeración en ambos compartimientos, gire la perilla en dirección contraria a las agujas del reloj hasta la posición vertical de apagado. Escuchará y sentirá el sonido de clic del control, y la perilla ya no seguirá girando. Observe que esto no apaga la corriente del refrigerador.



## Control del Flujo de Aire del Freezer

Hay un control en la torre de aire del freezer que controla cuánto aire frío hay en el freezer. El control de temperatura real sólo está en el compartimiento del refrigerador.



# Estantes del compartimiento de alimentos frescos

Soportes de los estantes en diferentes niveles le permiten personalizar los espacios de los estantes. A continuación se muestran estantes en las ubicaciones recomendadas.

No todas las funciones corresponden a todos los modelos.

## Estantes con Ancho Completo

Algunos modelos tienen un estante deslizante en alambre de acero, un estante de vidrio templado estacionario, un estante a prueba de salpicaduras o dos estantes estacionarios en alambre de acero. Estos estantes se pueden mover hacia otro lugar en el compartimiento de alimentos frescos.

El estante deslizante de tamaño completo tiene frenos. Cuando se coloca correctamente en los soportes del estante, el estante frena antes de salirse completamente del refrigerador y no se inclinará cuando coloque o retire alimentos del mismo.

### ⚠ PRECAUCIÓN

No limpie estantes de vidrio ni tapas con agua caliente cuando estén fríos. Los estantes de vidrio y las tapas se pueden romper si son expuestos a cambios de temperatura repentinos o impactos tales como sacudones o caídas. El vidrio templado está diseñado para destruirse en pequeñas piezas en caso de rotura.

**NOTA:** No bloquee la salida de aire colocando ítems de comida directamente contra ésta. Se podrán producir temperaturas erráticas.



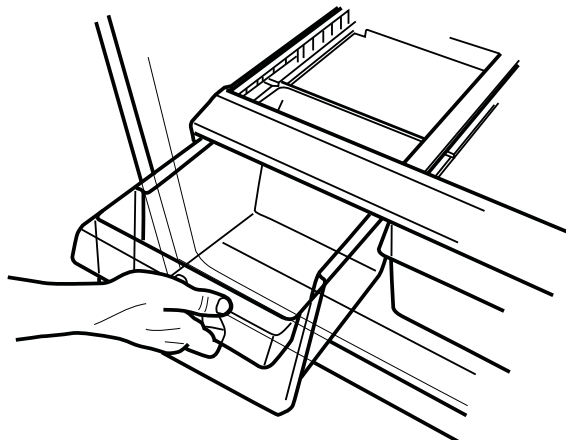


## Cajóns

### Cajón de Área Climática

Mantenga las frutas y verduras organizadas en compartimientos separados para un fácil acceso.

El exceso de agua que se puede acumular en la parte inferior de los cajones o debajo de los mismos se deberá limpiar.



### Retiro del Cajón

Los cajones pueden ser retirados con facilidad tomando ambos lados y levantando levemente mientras se los empuja superando el punto de detención.

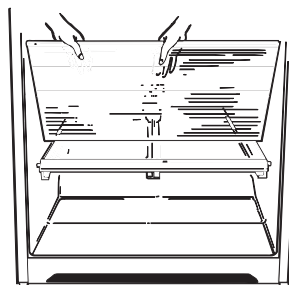
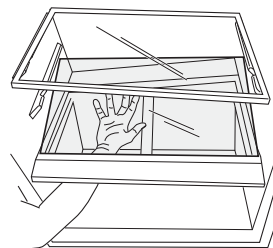
### Retiro de la Tapa

#### Para retirar:

1. Retire las gavetas.
2. Alcance y empuje la parte trasera de la tapa de vidrio hacia arriba. Inclínela y sáquela. Evite limpiar la cubierta de vidrio fría con agua caliente ya que la diferencia de temperaturas extremas podría causar que se quiebre.
3. Retire el marco de la gaveta. (Siempre retire la cubierta de vidrio antes de sacar el marco de la gaveta.) Levante el marco de los soportes en cada costado y atrás, hale hacia delante, incline y saque.

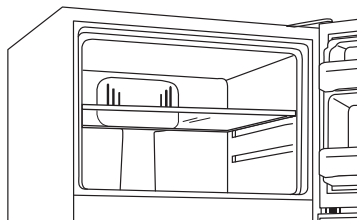
#### Para reemplazar:

1. Baje el marco hasta que descansa sobre los soportes en cada costado y atrás.
2. Reemplace la tapa de vidrio.
3. Reemplace las gavetas.



## Estante del compartimiento del congelador

Cuando se coloquen de forma correcta en los soportes de los estantes, los dos estantes fijos con cables de acero se detendrán antes de salir completamente del freezer y no se inclinarán al colocar o retirar comida de los mismos.



### ⚠ PRECAUCIÓN

No limpie estantes de vidrio ni tapas con agua caliente cuando estén fríos. Los estantes de vidrio y las tapas se pueden romper si son expuestos a cambios de temperatura repentinos o impactos tales como sacudones o caídas. El vidrio templado está diseñado para destruirse en pequeñas piezas en caso de rotura.

# Cuidado y limpieza

## Limpeza exterior

### Instrucciones para la Limpieza de Superficies Exteriores, Manijas de Puertas y Bordes

USE	NO USE
Telas suaves y limpias o esponjas	Telas abrasivas, esponjas de fregar, almohadillas de estropajo o de lana de acero
Detergente suave mezclado con agua caliente Limpiadores de acero inoxidable aprobados. Visite la tienda de piezas de GE Appliances para acceder a limpiadores de acero inoxidable aprobados: <b>GEApplianceparts.com</b> o comuníquese al <b>877.959.8688</b>  Los limpiadores con ácido oxálico tales como Bar Keepers Friend Soft Cleanser™ podrán ser usados para eliminar el óxido, deslustres y pequeñas manchas de las superficies de acero inoxidable únicamente.	Polvos o rociadores abrasivos Rociadores de Ventana o Amoniaco Limpiadores a base de cítrico o aceite vegetal Limpiadores ácidos o a base de vinagre Limpiadores de horno Limpiadores que contengan acetona (propanona) Cualquier limpiador con ADVERTENCIAS sobre el contacto con el plástico

**NOTA:** NO permita que el limpiador de acero inoxidable entre en contacto con cualquier parte plástica tal como partes de bordes, materiales de manijas y cobertores. Si se produce un contacto no intencional de los limpiadores con las partes plásticas, limpie estas últimas con una esponja y un detergente suave mezclado con agua caliente.

## Limpeza del Condensador

### ⚠ ADVERTENCIA

**A fin de reducir el riesgo de muerte o de descargas eléctricas, se deberán seguir estas instrucciones:**

- **Desenchufe el refrigerador antes de retirar cualquier panel.**
- **No genere contacto ni dañe cualquier cable mientras el panel es retirado.**
- **Reemplace todas las piezas y paneles antes de volver a enchufar el refrigerador.**

De forma periódica, el condensador del refrigerador quedará cubierto por polvo y suciedad. Esto podrá hacer que su refrigerador enfríe con menor efectividad y que utilice mayor cantidad de energía.

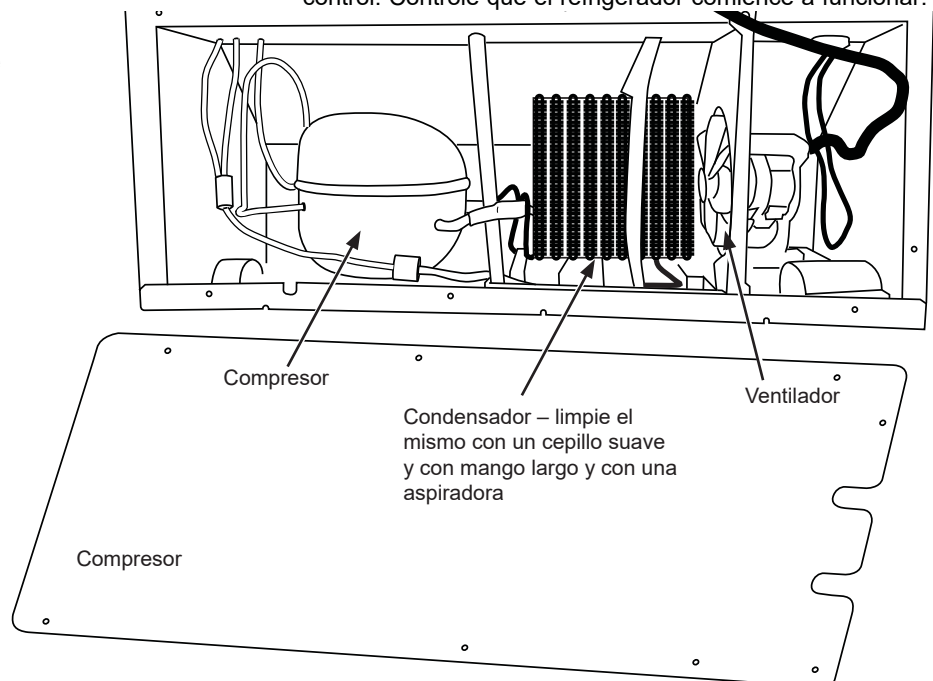
Podrá mejorar el rendimiento del refrigerador, limpiando el condensador. El mismo se encuentra ubicado en la parte trasera de su refrigerador, en la parte inferior, detrás de la tapa de acceso.

La limpieza del condensador requiere de un destornillador Phillips, una aspiradora y un cepillo suave con mango largo.

#### Para limpiar el condensador:

1. Apague el refrigerador.
2. Gire las patas niveladoras en cada esquina del refrigerador en contra de las agujas del reloj, hasta que las mismas apoyen el refrigerador.
3. Haga girar el refrigerador hacia afuera lo suficiente como para que usted pueda ubicarse detrás del mismo, en la parte inferior. Asegúrese de no sacar ninguna tubería de agua conectada a su refrigerador.
4. Desenchufe el refrigerador.
5. Use un destornillador con cabeza Phillips para retirar los tornillos que aseguran la tapa del refrigerador.

6. Ubique el condensador. El mismo se encuentra entre el compresor y el ventilador. Es negro y de forma cuadrada, con tubos y alerones.
7. Aspire el condensador. Use el cepillo para aflojar suavemente el polvo y la suciedad de los espacios y alerones del condensador.
8. Una vez que el condensador se encuentre limpio, reinstale la tapa de acceso, reemplazando todos los tornillos.
9. Enchufe el refrigerador.
10. Vuelva a colocar el mismo en su posición normal. Gire las patas en dirección hacia las agujas del reloj, hasta que las mismas soporten nuevamente el peso del refrigerador. También nivele el refrigerador de la forma requerida.
11. Vuelva a girar el refrigerador y gire el control en dirección de las agujas del reloj, hasta que regrese a la configuración media (vertical) o a la posición previa del control. Controle que el refrigerador comience a funcionar.



## Cuidado y limpieza

### Limpieza interior

Para ayudar a evitar olores, deje una caja abierta de bicarbonato en los compartimientos de alimentos frescos y en el congelador.

**Desconecte el refrigerador antes de limpiarlo.** Si esto no es práctico, escurra la humedad excesiva con una esponja o paño al limpiar alrededor de los interruptores, luces o controles.

Use una solución de agua tibia y bicarbonato—una cucharada (15 ml) de bicarbonato para un cuarto (1 litro) de agua. Esto limpia y neutraliza los olores. Enjuague y seque.

Después de limpiar los empaques de la puerta, aplique una capa delgada de vaselina en los empaques de la puerta en el costado de la bisagra. Esto ayuda a evitar que los empaques se peguen y se doblen hasta perder su forma.

### ⚠ PRECAUCIÓN

No limpie estantes de vidrio ni tapas con agua caliente cuando estén fríos. Los estantes de vidrio y las tapas se pueden romper si son expuestos a cambios de temperatura repentinos o impactos tales como sacudones o caídas. El vidrio templado está diseñado para destruirse en pequeñas piezas en caso de rotura.

No lave ninguna parte plástica del refrigerador en la lavadora de platos.

### Mover el refrigerador

Tenga cuidado al mover el refrigerador lejos de la pared. Todos los tipos de cubiertas de piso se pueden dañar, particularmente las cubiertas acojinadas y aquellas con superficies con diseños en relieve.

Hale el refrigerador en línea recta y regréselo a su posición empujándolo de la misma forma. Mover el refrigerador en una dirección lateral puede resultar en daños a la superficie del piso o al refrigerador.

Cuando empuje de nuevo el refrigerador, asegúrese de no pisar el cable eléctrico o la línea de suministro a la máquina de hielos (en algunos modelos).

Después de rodar el refrigerador a su posición, gire las patas del refrigerador en el sentido de las manecillas del reloj hasta que las patas sostengan nuevamente el peso del refrigerador.

### Reposición de la bombilla

#### ⚠ ADVERTENCIA

Antes de reemplazar una lámpara quemada, el refrigerador deberá ser desenchufado a fin de evitar el contacto con el filamento de un cable con corriente. (Existe riesgo de que una lámpara quemada se rompa durante su reemplazo). Girar el control a la posición OFF no desconecta la corriente del circuito de la luz.

Dependiendo de su modelo, las luces de los compartimientos del refrigerador y del freezer podrán usar lámparas LED de 5 watts con base mediana o lámparas incandescentes para electrodomésticos de 40 watts con base mediana. Siga las instrucciones específicas de su modelo.

#### IMPORTANTE:

- Use solo lámparas LED de reemplazo de la lista de UL recomendadas para ambientes mojados/ húmedos. El refrigerador y el freezer son considerados ambientes mojados/ húmedos. Si usará una marca de lámpara LED que no sea la recomendada, antes de la instalación lea y siga todas las instrucciones del embalaje de la luz LED. Las lámparas LED deberán ser de 5 watts con una base mediana.
- Si es usada una lámpara incandescente para reemplazar una lámpara LED, use sólo lámparas incandescentes para electrodomésticos hogareños con una cantidad de watts máxima de 40 con una base mediana.

### Cómo prepararse para las vacaciones

Para una largas vacaciones o ausencias, retire los alimentos y desconecte el refrigerador. Gire el dial de control de la temperatura hacia la posición OFF (apagado), y limpie el interior con una solución de una cucharada de bicarbonato (15 ml) y un cuarto (1 litro) de agua. Deje las puertas abiertas.

Si una máquina de hielos fue instalada, deberá ser apagada; mueva el interruptor hasta la posición OFF (apagado) en el

modelo con interruptor de encendido. Cierre el suministro de agua conectado al refrigerador.

Si la temperatura puede caer por debajo del punto de congelamiento, haga que una persona calificada drene el sistema del suministro de agua (en algunos modelos) para evitar serios daños a la propiedad causados por inundaciones.

### Cómo prepararse para trasladarse

Asegure todos los artículos sueltos como la rejilla, los estantes y cajones pegándolos con cinta en su lugar para evitar daños.

A fin de evitar la apertura de puertas durante el movimiento, asegure las mismas al cuerpo con cinta. Asegúrese de que el refrigerador permanezca en una posición vertical durante el traslado.

# Instrucciones de instalación Modelo GTS21

¿Preguntas? Llame a 800.GE.CARES (800.432.2737) o visite nuestro sitio web en: [GEAppliances.com](http://GEAppliances.com)  
 En Canadá, llame al 1.800.561.3344 o visite nuestro Sitio Web en: [GEAppliances.ca](http://GEAppliances.ca)

## ANTES DE EMPEZAR

Lea estas instrucciones completa y cuidadosamente.

- **IMPORTANTE** – Guarde estas instrucciones para uso del inspector local.
- **IMPORTANTE** – Observe todos los códigos y órdenes de ley.
- **Nota al instalador** – Asegúrese de dejar estas instrucciones con el consumidor.
- **Nota al consumidor** – Conserve estas instrucciones para referencia futura.
- **Nivel de destreza** – La instalación de este aparato requiere de destrezas mecánicas básicas.
- **Tiempo de ejecución** – Instalación del refrigerador  
 15 minutos  
 Invertir el vaivén de la puerta  
 15 minutos
- La instalación apropiada es la responsabilidad del instalador.
- La falla del producto debido a una instalación inadecuada no está cubierta por la garantía.

## ÁREA

Deje un espacio trasero de 2" (50mm) para facilitar la instalación, una adecuada circulación de aire y la plomería y las conexiones eléctricas.

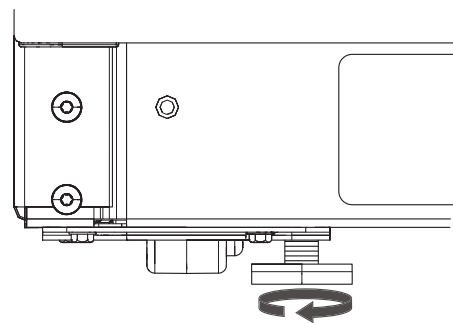
## RODILLOS Y PATAS NIVELADORAS

Las patas niveladoras cerca de cada esquina delantera del refrigerador son ajustables. Éstas colocan firmemente el refrigerador y evitan que se mueva cuando las puertas se abran. Las patas niveladoras se deben colocar de manera que el frente del refrigerador se levante lo suficiente para que las puertas se cierren fácilmente cuando se abran hasta la mitad.

Gire las patas niveladoras en el sentido de las manecillas del reloj para levantar el refrigerador, y en el sentido contrario para bajarlo.

Los rodillos al lado de las patas niveladoras le permiten mover el refrigerador lejos de la pared para limpiarlo.

Gire las patas en el sentido contrario de las manecillas del reloj hasta que el peso del refrigerador se traslade de éstas hacia los rodillos. Después de rodar el refrigerador de nuevo hacia su lugar, gire las patas en el sentido de las manecillas del reloj hasta que las patas sostengan nuevamente el peso del refrigerador.



## UBICACIÓN DEL REFRIGERADOR

- No instale el refrigerador donde la temperatura baje de 55°F (12.7°C) ya que no correrá con suficiente frecuencia para mantener las temperaturas apropiadas.
- No instale el refrigerador donde la temperatura sea superior a los 100°F (37°C), ya que no funcionará de forma correcta.
- No instale el refrigerador en una ubicación expuesta al agua (lluvia, etc.) o en contacto directo con la luz solar.
- Instálela en un piso fuerte para que lo soporte con carga completa.

# Instrucciones de instalación

## CÓMO INVERTIR EL VAIVÉN DE LA PUERTA

### ⚠️ ADVERTENCIA

Siga todos los pasos al invertir la dirección de la apertura de la puerta. Si no se siguen estas instrucciones, dejando piezas sin uso o ajustando tornillos en exceso, esto podrá hacer que la puerta se caiga y producir lesiones y daños sobre la propiedad.

### NOTAS IMPORTANTES

Al invertir el vaivén de la puerta:

- Lea las instrucciones completamente antes de empezar.
- Ajuste todos los tornillos de la bisagra, pero no ajuste en exceso para evitar dañar la capa de pintura.
- Maneje las partes con cuidado para evitar raspar la pintura.
- Ajuste los tornillos con sus partes relacionadas, a fin de evitar su pérdida.
- Disponga de una superficie de trabajo que no se raspe para las puertas.

### ⚠️ PRECAUCIÓN

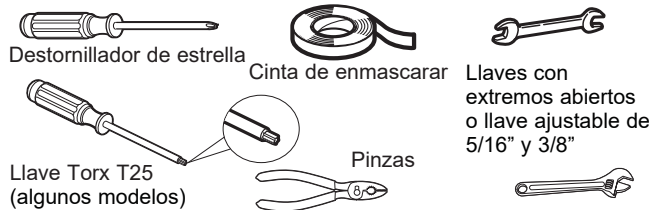
#### Riesgo al Levantar

La Puerta de Comidas Frescas y las puertas del Freezer son pesadas. Use ambas manos para asegurar las puertas antes de levantarlas.

**IMPORTANTE:** Una vez que empiece, no mueva el gabinete hasta que haya completado el proceso de invertir el vaivén de la puerta.

Estas instrucciones son para cambiar las bisagras del lado derecho al izquierdo, si alguna vez desea cambiar las bisagras al lado derecho nuevamente, siga las mismas instrucciones e invierta toda las referencias hacia la izquierda y derecha.ght.

### HERRAMIENTAS REQUERIDAS

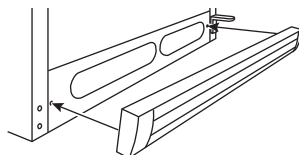


### ANTES DE INICIAR

1. Desconecte el refrigerador del tomacorriente eléctrico.
2. Desocupe todos los estantes de la puerta, incluyendo el compartimento de lácteos.

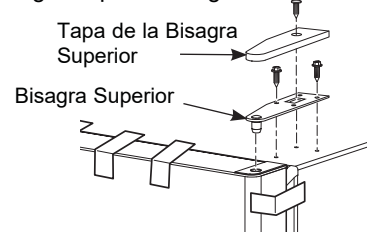
**IMPORTANTE:** No permita que ninguna puerta se caiga al piso, ya que esto podría dañar el freno de la puerta.

3. Retire la rejilla frontal, si fue instalada.

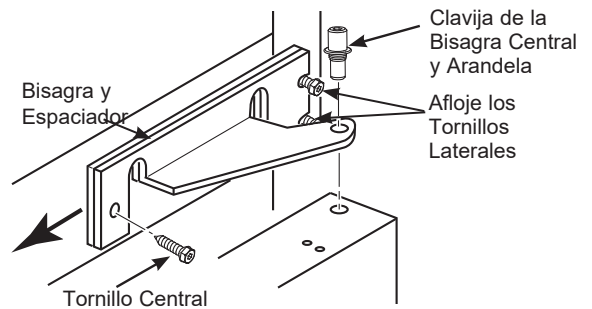


### RETIRO DE LAS PUERTAS

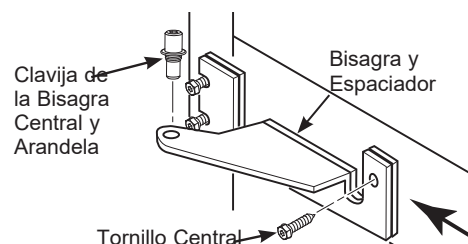
1. Coloque cinta de mascarar en el cierre de la puerta del freezer.
2. Retire la tapa de la bisagra y los tornillos que sostienen la bisagra superior del gabinete.



3. Levante la bisagra directamente hacia arriba para liberar el pasador de la bisagra del casquillo en la parte superior de la puerta y colóquela a un lado, junto con los tornillos correspondientes.
4. Retire la cinta. Levante la puerta desde el perno de la bisagra central y coloque la puerta sobre una superficie que no raye con la parte exterior hacia arriba.
5. Desenrosque la clavija de la bisagra central. Asegúrese de retener la arandela(s) de plástico para la reinstalación. Retire la puerta del refrigerador de la bisagra inferior y configure la puerta en una superficie donde no se raye, colocando el lado externo hacia afuera.



6. Use una llave o un destornillador T25 Torx para retirar la bisagra central y el espaciador(es) de plástico, desenroscando el tornillo central, aflojando los tornillos laterales y deslizando la bisagra hasta el centro del gabinete. Vuelva a ajustar los tornillos en su posición y reemplace el tornillo central.
7. Retire el tornillo central del lado opuesto y afloje los tornillos laterales. Dé vuelta la bisagra central y el espaciador, de modo que la colocación de la clavija de la bisagra quede hacia la parte externa. Deslice la bisagra central y los espaciadores detrás de los tornillos laterales. Vuelva a instalar el tornillo central y ajuste los tornillos laterales.

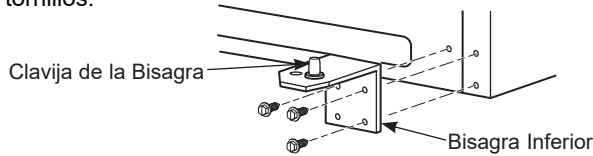




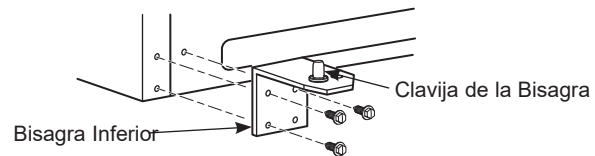
## CÓMO INVERTIR EL VAIVÉN DE LA PUERTA (CONT.)

### RETIRO DE LAS PUERTAS (Cont.)

8. Retire los tornillos de la bisagra inferior y reubique la bisagra inferior sobre el lado opuesto del gabinete. Ajuste los tornillos.



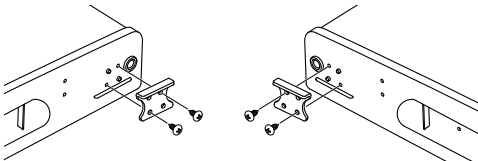
9. Desenrosque la clavija de la bisagra y mueva la misma al otro agujero y ajuste.



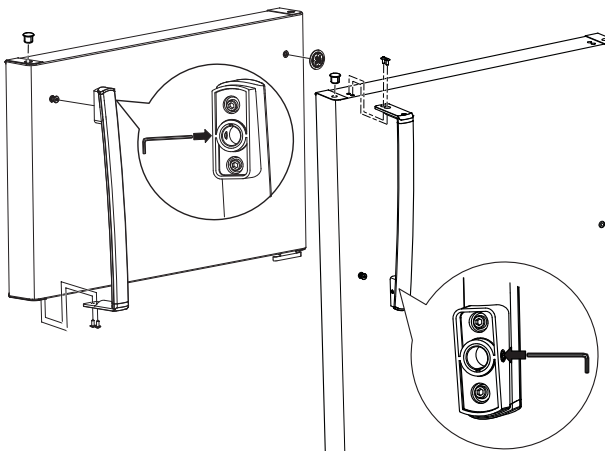
### INVERTIR LAS MANIJAS DE LAS PUERTAS

#### Manija de acero inoxidable

1. Retire los tornillos de la manija de la parte superior de la puerta de comidas frescas.
2. Afloje el tornillo de la manija con la llave de 1/8" provista.
3. Retire la manija de la puerta.
4. Intercambie los lugares entre el ajuste de la manija y el botón de corriente en el frente de la puerta.
5. Mueva las cubiertas de los orificios grandes y pequeños en la parte superior y frontal de la puerta para llenar los orificios ahora vacíos.



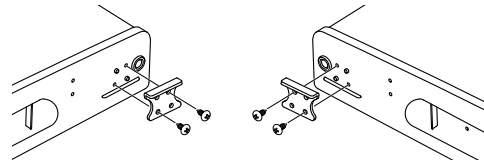
6. Tanto en el refrigerador como en las puertas del freezer, retire los tornillos de la detención de la puerta sobre un lado con un destornillador Phillips. Instale la detención de la puerta sobre el otro lado de la misma.
7. Adhiera la manija a la puerta de comidas frescas con tornillos en la parte superior de la manija. Use una llave Allen de 1/8" para ajustar el tornillo específico en la parte inferior de la manija.
8. Adhiera la manija a la puerta del freezer con tornillos al final de la manija. Use la llave Allen de 1/8 provista" para ajustar el tornillo específico en la parte superior de la manija.
9. Adhiera la insignia en la puerta del freezer en la posición opuesta a la manija.



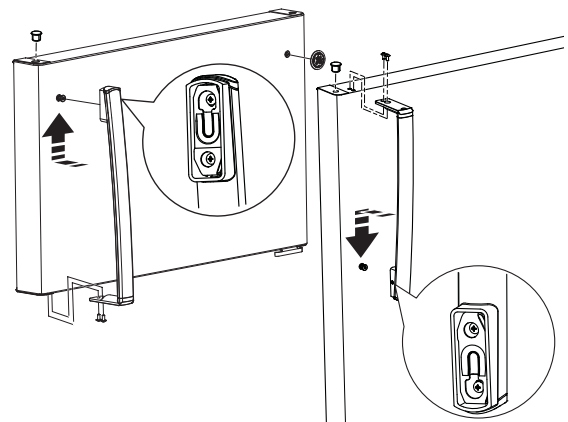
### INVERTIR LAS MANIJAS DE LAS PUERTAS

#### Ensamble de la manija plástica

1. Retire los tornillos de la manija de la parte superior de la puerta de comidas frescas. Retire los tornillos de la manija de la parte inferior de la puerta del freezer.
2. Retire la manija en la puerta de comidas frescas, deslizando la manija hacia arriba y afuera del ajuste. Retire la manija en la puerta del freezer, deslizando la manija hacia abajo y afuera del ajuste.
3. Intercambie los lugares entre el ajuste de la manija y el botón de corriente en el frente de la puerta.
4. Mueva las cubiertas de los orificios grandes y pequeños en la parte superior y frontal de la puerta para llenar los orificios ahora vacíos.



5. Tanto en el refrigerador como en las puertas del freezer, retire los tornillos de la detención de la puerta sobre un lado con un destornillador Phillips. Instale la detención de la puerta sobre el otro lado de la misma.
6. Adhiera la manija a la puerta de comidas frescas, deslizando la misma hacia abajo en el ajuste y con tornillos en la parte superior de la manija.
7. Adhiera la manija a la puerta del freezer, deslizando la manija hacia arriba sobre el ajuste y con los tornillos en la parte inferior de la manija.
8. Adhiera la insignia en la puerta del freezer en la posición opuesta a la manija



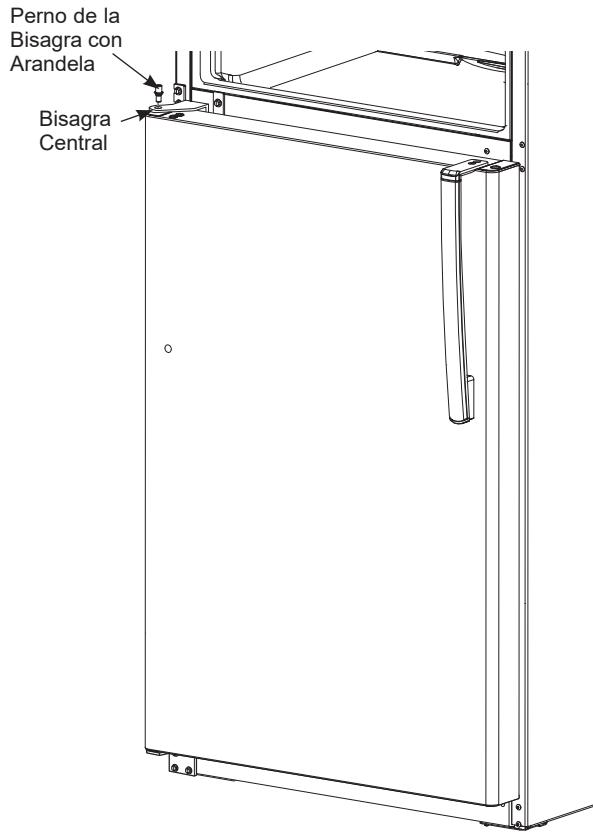
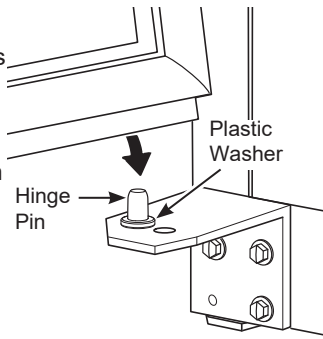


# Instrucciones de instalación

## CÓMO INVERTIR EL VAIVÉN DE LA PUERTA (CONT.)

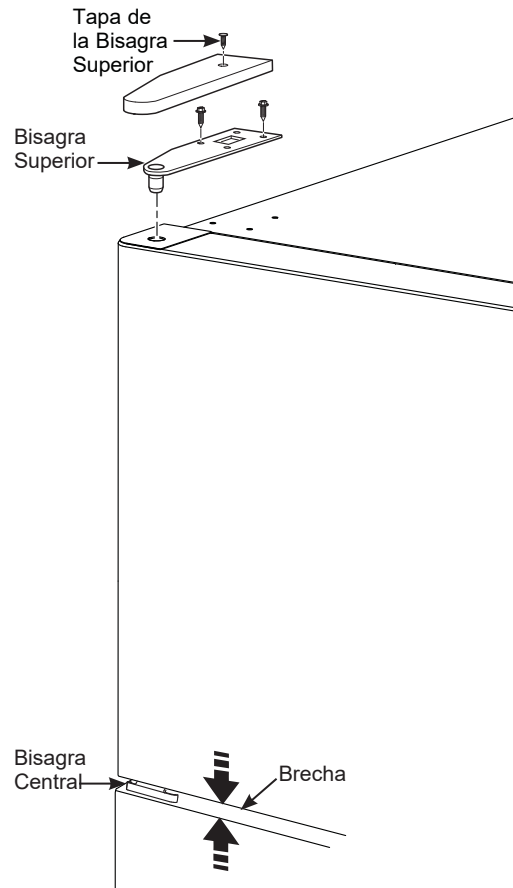
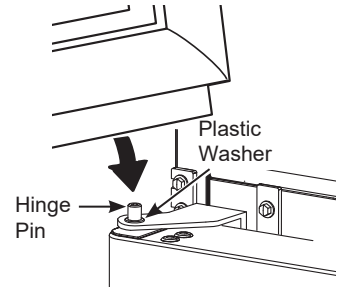
### VOLVER A COLGAR LAS PUERTAS

1. Baje la puerta de alimentos frescos al perno de la bisagra inferior. Asegúrese de que la arandela esté correctamente colocada en el perno.
2. Incline la puerta hacia el gabinete. A medida que la puerta se coloca en su posición, Alinee la ficha en la puerta con el agujero en la bisagra central. Coloque el perno de la bisagra central en el agujero de la bisagra central y ajuste la misma con una llave de boca de 3/8". Asegúrese de que la arandela esté en la parte superior del perno de la bisagra.



### VOLVER A COLGAR LAS PUERTAS (Cont.)



3. Baje la puerta del congelador al pasador de la bisagra central. Asegúrese de que la arandela esté correctamente colocada en el perno.
4. Incline la puerta hacia el gabinete, levantando la bisagra superior de modo que el perno calce en la ficha sobre la parte superior de la puerta.
5. Asegúrese de que la puerta esté apenas sobre la parte superior del gabinete y que la brecha entre las puertas sea pareja a lo largo del frente. Asegure los tornillos de la bisagra superior. No ajuste estos tornillos en exceso. Presione los mismos hasta que queden ajustados, y luego dé medio giro adicional.
6. Reemplace la tapa de la bisagra superior.



# Sonidos De Funcionamiento Normal

El sonido de los refrigeradores nuevos es diferente al de aquellos más antiguos. Los refrigeradores modernos cuentan con más funciones y utilizan una tecnología más nueva.

## ¿Escuchas lo que yo escucho? Estos sonidos son normales.

<ul style="list-style-type: none"><li>■ Es posible que el nuevo compresor de alta efectividad funcione más rápido y por más tiempo que aquel de su refrigerador antiguo, y es posible que escuche un zumbido o sonido de pulsación en un tono alto mientras está funcionando.</li><li>■ Es posible que escuche gorgoteos al cerrar la puerta. Esto se debe al equilibrio de la presión dentro del refrigerador.</li></ul>	<p style="text-align: center;"><b>HUMMM... WHOOSH...</b></p> <p style="text-align: center;"><b>WHIR!</b></p>  <ul style="list-style-type: none"><li>■ Es posible que escuche los ventiladores girar en altas velocidades. Esto sucede cuando el refrigerador se enchufa por primera vez, cuando las puertas se abren con frecuencia o cuando una gran cantidad de comida es agregada a los compartimientos del refrigerador o del freezer. Los ventiladores están ayudando a mantener las temperaturas correctas.</li></ul>
<p style="text-align: center;"><b>CHASQUIDOS, ESTALLIDOS, CRUJIDO, GORJEOS</b></p> <ul style="list-style-type: none"><li>■ Puede escuchar sonidos como de crujido o estallidos cuando el refrigerador se conecta por primera vez. Esto pasa a medida que el refrigerador se enfría hasta la temperatura correcta.</li><li>■ El compresor puede causar un chasquido o un gorjeo cuando intenta volver a arrancar (esto puede tomar hasta 5 minutos).</li><li>■ Expansión y contracción de las bobinas durante o después del ciclo de descongelación puede causar sonidos como de crujido o estallidos.</li><li>■ En modelos con máquina de hielos, después de completar un ciclo de hacer hielo, se pueden escuchar los cubos de hielo cuando caen a la bandeja de hielos.</li></ul>	<p style="text-align: center;"> <b>SONIDOS DE AGUA</b></p> <ul style="list-style-type: none"><li>■ El fluido del refrigerante a través de las bobinas puede producir un sonido de borboteo como de agua hirviendo.</li><li>■ El agua que cae en el calentador de descongelación puede causar un chisporroteo, estallido o zumbido durante el ciclo de descongelación.</li><li>■ Un ruido de agua cayendo se puede escuchar durante el ciclo de descongelación a medida que el hielo se derrite del evaporador y fluye hacia la bandeja de drenaje.</li><li>■ El cierre de las puertas puede producir un sonido de gorgoteo debido a la estabilización de la presión.</li></ul>

## Solución de problemas.. Antes de Solicitar el Servicio Técnico

¡Ahorre tiempo y dinero! Primero revise los cuadros que aparecen en las siguientes páginas y es posible que no necesite solicitar reparaciones. De ser necesario, podrá programar el servicio técnico visitándonos en **GEAppliances.com** o llamando al 800.GECARES 800.432.2737. En Canadá, visite **GEAppliances.ca** o llame al 800.561.3344.

Problema	Causas Posibles	Qué Hacer
El refrigerador no opera	El refrigerador está en el ciclo de descongelado.	Espere unos 30 minutos hasta que el ciclo de descongelado termine.
	El dial de control de la temperatura está en la posición OFF.	Ajuste los controles en una configuración de temperatura inferior.
	El refrigerador está desconectado.	Empuje el enchufe completamente en el tomacorriente.
	El fusible está quemado / el interruptor automático se saltó	Reemplace el fusible o fije el interruptor
El motor opera con frecuencia por largos periodos o ciclos de forma intermitente (Los refrigeradores modernos con más espacio de almacenamiento y un congelador más grande requieren de más tiempo de operación. Arrancan y paran con frecuencia para mantener temperaturas uniformes.)	Normal cuando el refrigerador se conecta inicialmente.	Espere 24 horas hasta que el refrigerador se enfríe por completo.
	Con frecuencia ocurre cuando grandes cantidades de alimentos se almacenan en el refrigerador.	Esto es normal.
	La puerta se deja abierta.	Revise si un paquete está reteniendo la puerta abierta.
	El clima caliente o abrir la puerta frecuentemente.	Esto es normal.
	El dial de control de la temperatura están en el nivel más frío.	Lea la sección del Control de Temperatura.
Compartimiento del refrigerador o congelador demasiado cálido	El control de temperatura no se fijó bastante frío.	Lea la sección del Control de Temperatura. (Si fue instalada).
	Clima caluroso o aperturas frecuentes de la puerta.	Configure el control de temperatura un nivel más frío. Lea la sección del Control de Temperatura.
	La puerta se deja abierta.	Revise si un paquete está reteniendo la puerta abierta.
Hielo o cristales de hielo en los alimentos congelados (El hielo dentro de un paquete es normal)	La puerta se deja abierta.	Revise si un paquete está reteniendo la puerta abierta.
	Abrir la puerta con mucha frecuencia o por mucho tiempo.	Esto es normal.
El divisor entre los compartimientos del refrigerador y del freezer se siente caliente	El sistema de ahorro de energía automático hace circular líquido caliente alrededor del extremo frontal del compartimiento del freezer.	Esto ayuda a evitar la condensación en la parte exterior.
La maquina de hielos automática no funciona(Si fue instalada).	El interruptor de corriente de la máquina de hielos se encuentra en la posición OFF (Apagado).	Configure el interruptor de corriente en la posición ON (Encendido).
	El suministro del agua está apagado o no está conectado.	Consulte la sección de Instalación de la tubería de agua, en las instrucciones de instalación de la máquina de hielos.
	El compartimiento del congelador no es muy frío.	Espere 24 horas para que el refrigerador se enfríe completamente.
	Hay cubos amontonados en el recipiente de almacenamiento que causan que la máquina de hielos se apague.	Nivele los cubos con la mano.
	Hay cubos de hielos atorados en la máquina de hielos.	Apague la máquina de hacer hielo, retire los cubos, y vuelva a encender la máquina de hacer hielo.
Los cubos de hielo tienen olor / sabor	El recipiente de almacenamiento de hielos necesita limpieza.	Desocupe el recipiente y lávelo. Deseche los cubos viejos.
	Hay alimentos que transmiten olor / sabor a los cubos de hielo.	Envuelva bien las comidas.
	El interior del refrigerador necesita limpieza.	Lea la sección de Cuidado y limpieza

# Solución de problemas... Antes de Solicitar el Servicio Técnico

Problema	Causas Posibles	Qué Hacer
Congelamiento lento de los cubos de hielo	La puerta se deja abierta.	Revise si un paquete está reteniendo la puerta abierta.
Sonido de zumbido frecuente de la máquina de hielos (si la máquina de hielos fue instalada)	El interruptor de la máquina de hielos se encuentra en la posición ON (Encendido), pero el suministro de agua al refrigerador no fue conectado.	Configure el interruptor en la posición OFF (Apagado). Mantenerlo en la posición ON (Encendido) dañará la válvula de agua.
Sin producción de cubos de hielo (si la máquina de hielos fue instalada)	Está tapada la línea de agua o la llave de paso.	Llame a un plomero.
El refrigerador huele	Alimentos transmitiendo olores al refrigerador.	Alimentos con olores fuertes deben estar tapados. Guarde una caja de bicarbonato de sodio en el refrigerador; cámbiela cada tres meses.
	El interior requiere limpieza.	Lea la sección de Cuidado y limpieza.
Se forma humedad en la superficie del refrigerador	No es extraño durante periodos de alta humedad.	Seque la superficie.
Humedad se forma al interior (en clima húmedo, el aire lleva la humedad al refrigerador cuando las puertas se abren)	Debido al alto nivel de humedad en el refrigerador, es posible que ocasionalmente se empañe o que se produzcan pequeñas cantidades de humedad en el compartimiento del refrigerador.	Esto es normal y puede variar dependiendo de las cantidades de comida y condiciones climáticas. Seque con una toalla de papel si lo desea.
La luz interna no funciona	No hay corriente en el tomacorriente.	Reemplace el fusible o reinicie el disyuntor.
	La lámpara se quemó.	Lea la sección de Cuidado y limpieza.
Aire caliente de la parte de abajo del refrigerador	Motor de enfriamiento normal del flujo del aire. En el proceso de refrigeración, es normal que salga calor de la parte inferior del refrigerador. Algunas cubiertas de piso son sensibles y se decolorarán ante estas temperaturas normales y seguras.	Esto es normal.
El refrigerador nunca se apaga pero las temperaturas están bien	La descongelación adaptable mantiene el compresor funcionando durante las aperturas de la puerta.	Esto es normal. El refrigerador concluirá su ciclo cuando la puerta permanezca cerrada durante 2 horas.
La puerta no cierra correctamente	La junta de la puerta del lado de la bisagra se está adhiriendo o doblando.	Aplice parafina sobre la cara de la junta.
La puerta no se cierra sola	Las patas niveladoras necesitan ajuste.	Consulte la sección de Ruedas y Patas Niveladoras en la sección de Instrucciones de Instalación.
La puerta del congelador se abre cuando la puerta del refrigerador está cerrada	Esto es normal si después de abrirse, la puerta del congelador se cierra sola.	Esto indica que la puerta del freezer está bien sellada. Si la puerta del freezer no se cierra de forma automática luego de su apertura instantánea, entonces consulte la sección sobre La puerta no se cierra sola, más arriba.
La comida se congela en el refrigerador	La comida está demasiado cerca de la ventilación de aire, en la parte trasera del refrigerador.	Aleje la comida de la ventilación de aire.
	El control del refrigerador está demasiado frío.	Mueva el control del refrigerador a una temperatura más cálida.
La manija está floja / la manija tiene una brecha	La manija debe ajustarse.	Consulte la sección sobre Inversión de las Manijas de la Puerta en la sección de Instrucciones de Instalación.

# Garantía limitada del refrigerador

Todo el servicio de garantía es provisto por nuestros Centros de Servicio de Fabricación, o un técnico autorizado de Servicio al Cliente (Customer Care®). Para programar una visita del servicio técnico, visítenos en **GEAppliances.com**, o comuníquese al 800.GE.CARES (800.432.2737). Cuando llame para solicitar el servicio, tenga los números de serie y modelo disponibles.

<b>Por el período de:</b>	<b>GE Appliances Will reemplazará</b>
<b>Un año</b> A partir de la fecha de la compra original	<b>Cualquier parte</b> del refrigerador que falle debido a defectos en los materiales o en la fabricación. Durante esta garantía <b>limitada de un año</b> , GE Appliances también proporcionará, <b>sin costo alguno</b> , toda la mano de obra y el servicio relacionado para reemplazar partes defectuosas.

## What is Not Covered:

- Viajes de servicio a su hogar para enseñarle cómo usar el producto.
- Instalación o entrega inapropiada, o mantenimiento impropio.
- Fallas del producto si hay abuso, mal uso, o uso para otros propósitos que los propuestos, o uso para fines comerciales.
- Pérdida de alimentos por averías.
- Reemplazo de fusibles de su hogar o reajuste de interruptores de circuito.
- Cualquier daño luego de la entrega.
- Reemplazo del cartucho del filtro de agua, si incluido, debido a presión de agua afuera de las límites de operación especificados o sedimento excesivo en el suministro de agua.
- Reemplazo de las bombillas, si incluidas, o del cartucho de filtro de agua, si incluido, diferente a como se especifica anteriormente.
- Daño al producto causado por accidente, fuego, inundaciones o actos de Dios.
- Incidental or consequential damage caused by possible defects with this appliance.
- Producto no accesible para facilitar el servicio requerido.
- Los daños causados por un filtro de agua Marca no GE.
- Daños sobre el acabado, tales como óxido sobre la superficie, deslustres o manchas pequeñas no informadas dentro de las 48 horas luego de la entrega.
- Productos que no presenten defectos ni estén rotos, o que estén funcionando de acuerdo con lo descrito en el Manual del Propietario

**EXCLUSIÓN DE GARANTÍAS IMPLÍCITAS—Su único y exclusivo derecho es la reparación del producto, tal y como se indica en esta Garantía limitada. Cualquier garantía implícita, incluyendo las garantías implícitas de comerciabilidad o adecuación para un fin determinado, están limitadas a un año o el período de tiempo más breve permitido por la ley.**

**Para los clientes de EE.UU.** Esta garantía limitada se extiende al comprador original y a cualquier dueño subsiguiente de productos comprados para uso hogareño dentro de EE.UU. Si el producto está en un área donde no se encuentra disponible un Proveedor Autorizado del Servicio Técnico de GE, usted será responsable por el costo de un viaje o se podrá requerir que traiga el producto a una ubicación del Servicio Técnico de GE Appliances Autorizado para recibir el servicio. En Alaska, la garantía limitada excluye el costo de envío o llamadas del servicio a su hogar.

Algunos estados no permiten la exclusión o limitación de daños fortuitos o consecuentes. Esta garantía limitada le da derechos legales específicos y es posible que tenga otros derechos legales que varían entre un estado y otro. Para conocer cuáles son sus derechos legales, consulte a la oficina de asuntos del consumidor local o estatal o al Fiscal de su estado.

**Garante: GE Appliances, a Haier company**  
**Louisville, KY 40225**

Grape aquí su recibo. Se requiere facilitar prueba de la fecha de compra original para obtener un servicio bajo la garantía.

## Kit de Accesorios de la Máquina de Hielos:

### ⚠ ADVERTENCIA

Realice la conexión a un suministro de agua potable únicamente.

Se requiere un suministro de agua fría para el funcionamiento de la máquina de hielos automática. La presión del agua deberá estar entre 40 y 120 psi (275-827 kilopascales).

El accesorio de la máquina de hielos IM4D está disponible por un costo adicional. Para la instalación de la máquina de hielos, siga la Instrucción de Instalación "V", usando el ensamble del tubo de llenado corto (8") , a menos que el tubo de llenado ya se encuentre instalado.

Para realizar una orden, llame a GE Appliances al 800.GECARES (800.432.2737) o visite [GEAppliances.com](http://GEAppliances.com). En Canadá, visite [GEAppliances.ca](http://GEAppliances.ca) o llame al 800.561.3344.

### AUTOMATIC ICE MAKER

La máquina de hielos producirá siete cubos por ciclo, aproximadamente entre 70–100 cubos en un periodo de 24 horas, dependiendo de la temperatura en el compartimiento del congelador, la temperatura del sitio, las veces que se abra la puerta y otras condiciones.

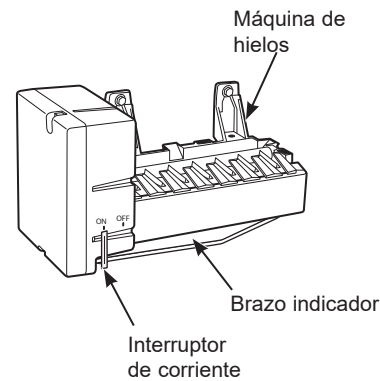
Si el refrigerador se opera antes de hacer la conexión del agua hacia la máquina de hielos, fije el interruptor de corriente en la posición de OFF (apagado).

Cuando el refrigerador se haya conectado al suministro de agua, fije el interruptor de corriente en la posición de ON (encendido).

La máquina de hielos se llenará de agua cuando se enfríe y llegue a los 15°F. Un refrigerador recién instalado puede tomar desde 12 hasta 24 horas para empezar a hacer cubos de hielo.

Una vez que la máquina de hielos comienza a producir el hielo, podrá tardar hasta 48 horas en llenar el cubo, dependiendo de las configuraciones de temperatura y de la cantidad de aperturas de la puerta.

Escuchará un zumbido cada vez que la máquina de hielos se llene de agua.



**NOTA:** Deseche los primeros cubos de hielo para permitir que la tubería se limpie.

Asegúrese de que nada interfiera con el recorrido del brazo indicador.

Cuando el recipiente se llena hasta el nivel del brazo indicador, la máquina dejará de producir hielos.

Es normal que varios cubos se peguen.

Si el hielo no se utiliza frecuentemente, los cubos de hielo viejos se volverán oscuros, con sabor a viejo, se reducirán de tamaño y se fusionarán.

### ⚠ PRECAUCIÓN

Evite el contacto con las partes en movimiento del mecanismo expulsor o con el elemento de calefacción (ubicado en la parte inferior de la máquina de hielos) que expulsa los cubos. No coloque los dedos ni las manos en el mecanismo de la máquina de hielos automática mientras el refrigerador esté enchufado.



# Notas

---

# Notas

---

# Soporte para el Consumidor

---

## Sitio Web de GE Appliances

¿Desea realizar una consulta o necesita ayuda con su electrodoméstico? ¡Intente a través del Sitio Web de GE Appliances las 24 horas del día, cualquier día del año! Usted también puede comprar más electrodomésticos maravillosos de GE Appliances y aprovechar todos nuestros servicios de soporte a través de Internet, diseñados para su conveniencia.

En EE.UU.: [GEAppliances.com](http://GEAppliances.com)

---

## Registre su Electrodoméstico

¡Registre su electrodoméstico nuevo a través de Internet, según su conveniencia! Un registro puntual de su producto permitirá una mejor comunicación y un servicio más puntual de acuerdo con los términos de su garantía, en caso de surgir la necesidad. También puede enviar una carta en la tarjeta de inscripción preimpresa que se incluye con el material embalado.

En EE.UU.: [GEAppliances.com/register](http://GEAppliances.com/register)

---

## Servicio Programado

El servicio de reparación de expertos de GE Appliances está a sólo un paso de su puerta. Conéctese a través de Internet y programe su servicio a su conveniencia cualquier día del año. En EE.UU.: [GEAppliances.com/service](http://GEAppliances.com/service) o comuníquese al 800.432.2737 durante el horario de atención comercial.

---

## Garantías Extendidas

Adquiera una garantía extendida de GE Appliances y conozca los descuentos especiales que están disponibles mientras su garantía aún está vigente. La puede adquirir en cualquier momento a través de Internet. Los servicios de GE Appliances aún estarán allí cuando su garantía caduque. En EE.UU.: [GEAppliances.com/extended-warranty](http://GEAppliances.com/extended-warranty) o comuníquese al 800.626.2224 durante el horario de atención comercial.

---

## Conectividad Remota

Para solicitar asistencia para la conectividad de red inalámbrica (para modelos con acceso remoto), visite nuestro sitio web en [GEAppliances.com/connect](http://GEAppliances.com/connect) o comuníquese al 800.220.6899 en EE.UU.

---

## Piezas y Accesorios

Aquellos individuos calificados para realizar el servicio técnico de sus propios electrodomésticos podrán solicitar el envío de piezas o accesorios directamente a sus hogares (se aceptan las tarjetas VISA, MasterCard y Discover). Ordene hoy a través de Internet durante las 24 horas, todos los días. En EE.UU.: [GEApplianceparts.com](http://GEApplianceparts.com) o de forma telefónica al 877.959.8688 durante el horario de atención comercial.

**Las instrucciones que figuran en este manual cubren los procedimientos que serán realizados por cualquier usuario. Otros servicios técnicos generalmente deben ser derivados a personal calificado del servicio. Se deberá tener cuidado, ya que una reparación indebida podrá hacer que el funcionamiento no sea seguro.**

---

## Contáctenos

Si no se encuentra satisfecho con el servicio que recibió de GE Appliances, comuníquese con nosotros a través de nuestro sitio Web con todos los detalles, incluyendo su número telefónico, o escriba a:

En EE.UU.: General Manager, Customer Relations | GE Appliances, Appliance Park | Louisville, KY 40225  
[GEAppliances.com/contact](http://GEAppliances.com/contact)