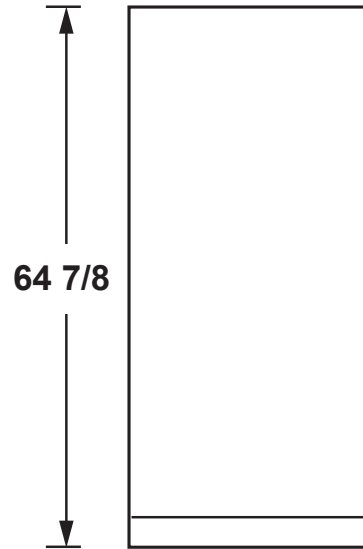


FUF17DLR

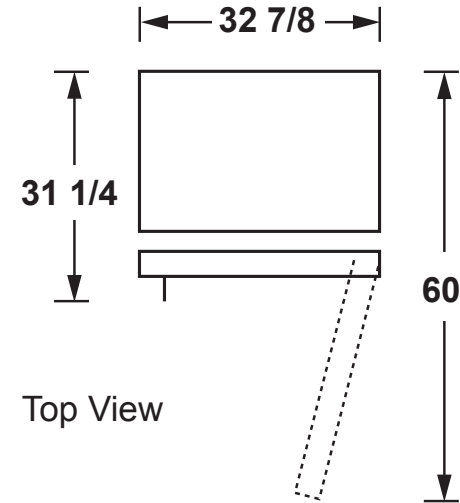
GE® 17.3 Cu. Ft. Capacity Frost-Free Upright Freezer

DIMENSIONS AND INSTALLATION INFORMATION (IN INCHES)

AIR CLEARANCE	
Each side (in.)	3
Top (in.)	3
Back (in.)	3



Front View



Top View



For answers to your Monogram, GE Café™ Series, GE Profile™ Series or GE Appliances product questions, visit our website at geappliances.com or call GE Answer Center® Service, 800.626.2000.



Listed by
Underwriters
Laboratories

Specification Revised 6/17

FUF17DLR

GE® 17.3 Cu. Ft. Capacity Frost-Free Upright Freezer

FEATURES AND BENEFITS

ENERGY STAR® qualified

LED interior lighting - Automatically illuminates when door is open

Lock with key - Allows you to protect your valuable food items from unintentional entry

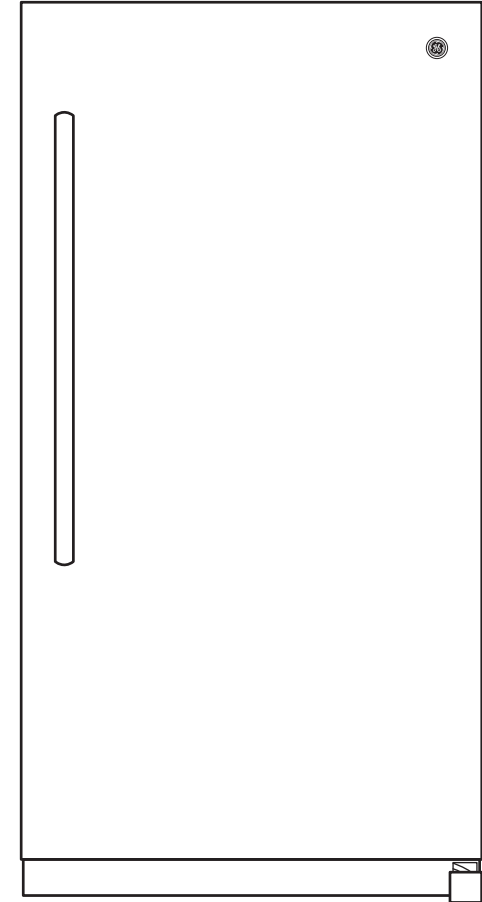
Exterior electronic temperature control - Easy adjust the temperature and avoid releasing cold air by opening the door

4 glass, 2 adjustable freezer shelves

4 full-width clear freezer door bins

3 clear freezer drawers

Model FUF17DLRWW – White



For answers to your Monogram, GE Café™ Series, GE Profile™ Series or GE Appliances product questions, visit our website at geappliances.com or call GE Answer Center® Service, 800.626.2000.



Listed by
Underwriters
Laboratories

Specification Revised 6/17