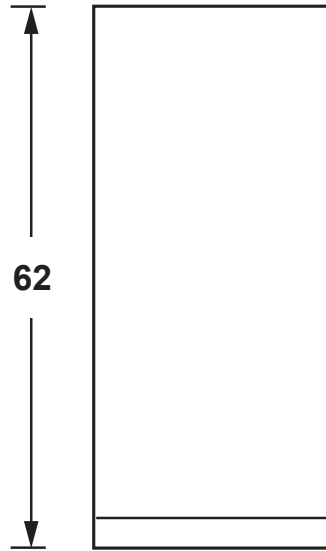


# FUF14SMR

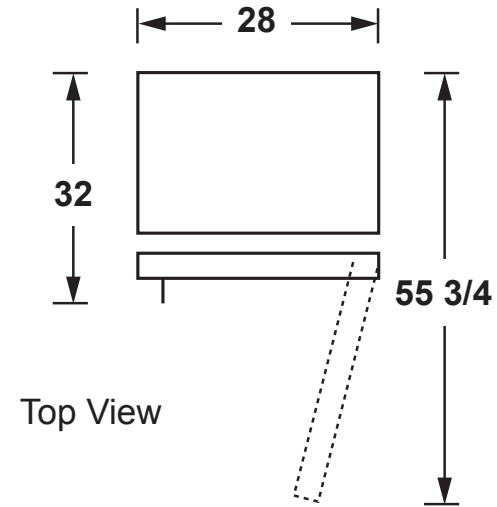
GE® 14.1 Cu. Ft. Capacity Frost-Free Upright Freezer

## DIMENSIONS AND INSTALLATION INFORMATION (IN INCHES)

AIR CLEARANCE	
Each side (in.)	3
Top (in.)	3
Back (in.)	3



Front View



For answers to your Monogram, GE Café™ Series, GE Profile™ Series or GE Appliances product questions, visit our website at [geappliances.com](http://geappliances.com) or call GE Answer Center® Service, 800.626.2000.



Specification Created 2/18

# FUF14SMR

## GE® 14.1 Cu. Ft. Capacity Frost-Free Upright Freezer

### FEATURES AND BENEFITS

Garage ready – GE freezers are proven to perform at room temperatures ranging between 0° - 110F°

Audible temperature alarm – Alerts you if the door is left open or if the temperature rises

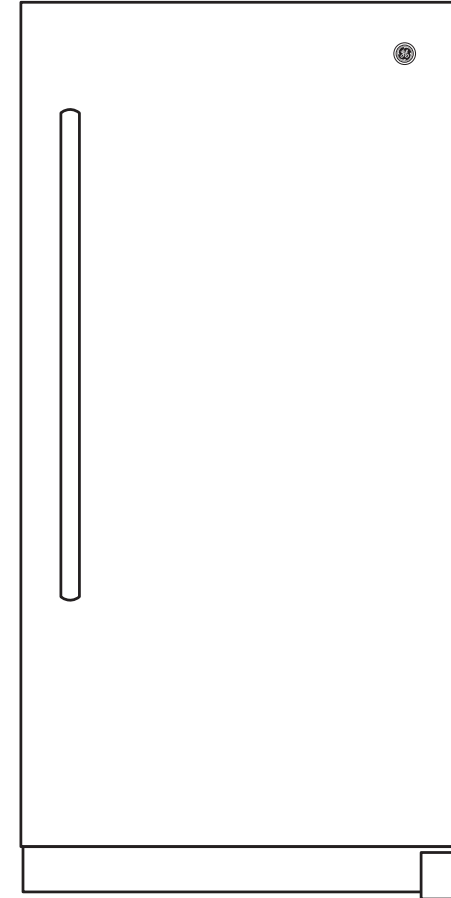
Exterior electronic temperature control – Easy adjust the temperature and avoid releasing cold air by opening the door

Turbo Freeze – An extra boost of cold air restores interior to set temperature for optimum food freshness

LED interior lighting – Automatically illuminates when door is open

Lock with key - Allows you to protect your valuable food items from unintentional entry

Model FUF14SMRWW – White



*For answers to your Monogram, GE Café™ Series, GE Profile™ Series or GE Appliances product questions, visit our website at [geappliances.com](http://geappliances.com) or call GE Answer Center® Service, 800.626.2000.*



Specification Created 2/18