



Installation Instructions

Built-In Dishwasher

If you have questions, call GE Appliances at 800.561.3344 or visit our website at:

GEAppliances.ca

BEFORE YOU BEGIN

Read these instructions completely and carefully.

WARNING

- Remove all power leading to the appliance from the circuit breaker or fuse box before beginning installation. Failure to do so can result in a risk of electrical shock.
- To reduce the risk of electric shock, fire, or injury to persons, the installer must ensure that the dishwasher is completely enclosed at the time of installation.
- The improper connection of the equipment grounding conductor can result in a risk of electric shock. Check with a qualified electrician or service representative if you are in doubt that the appliance is properly grounded. If house wiring is not 2-wire with ground, a ground must be by the installer. When house wiring is aluminum, be sure to use UL-Listed anti-oxidant compound and aluminum-to-copper connectors.
- To reduce the risk of electric shock, fire, or injury to persons, the installer should check to ensure that wires are not pinched or damaged, the house wiring is attached to the junction box bracket through a strain relief, and all electrical connections made at the time of install (wire nuts) are contained inside of the junction box cover.

AVERTISSEMENT

- Avant de commencer l'installation, coupez toute alimentation menant à l'appareil à partir du disjoncteur ou du panneau électrique. Sinon, il peut y avoir un risque de décharge électrique.
- Pour réduire les risques de décharge électrique, d'incendie ou de blessures corporelles, l'installateur doit veiller à ce que le lave-vaisselle soit complètement inséré dans l'enceinte au moment de l'installation.
- Un raccordement inadéquat du conducteur de terre de l'équipement peut accroître les risques de décharge électrique. En cas de doute quant à la mise à la terre de l'appareil, consultez un électricien qualifié ou un représentant du service après-vente. Si le circuit de la maison n'est pas un circuit à deux fils muni d'un fil de mise à la terre, l'installateur doit poser un fil de mise à la terre. Lorsque le câblage de la maison est en aluminium, assurez-vous d'utiliser un composé antioxydant et des connecteurs aluminium-cuivre homologués cUL.
- Pour réduire le risque de décharge électrique, d'incendie ou de blessures corporelles, l'installateur doit vérifier pour s'assurer que les fils ne sont pas pincés ou endommagés, que l'installation électrique est reliée au support de boîte de jonction par un serre-câbles et que toutes les connexions électriques faites au moment de l'installation (capuchons de connexion) se trouvent à l'intérieur du boîtier de la boîte de jonction.

FOR YOUR SAFETY

Read and observe all WARNINGS and CAUTIONS shown throughout these instructions.

While performing installations described in this booklet, gloves, safety glasses or goggles should be worn.

IMPORTANT – Observe all governing codes and ordinances.

- **Note to Installer** – Be sure to leave these instructions for the consumer's and local inspector's use.
- **Note to Consumer** – Keep these instructions with your Owner's Manual for future reference.
- **Skill Level** – Installation of this dishwasher requires basic mechanical, electrical and plumbing skills. **Proper installation is the responsibility of the installer. Product failure due to improper installation is not covered under the GE Appliances Warranty. See warranty information.**

- **Completion Time** – 1 to 3 Hours. New installations require more time than replacement installations.

IMPORTANT – The dishwasher MUST be installed to allow for future removal from the enclosure if service is required.

Care should be exercised when the appliance is installed or removed, to reduce the likelihood of damage to the power supply cord.

If you received a damaged dishwasher, you should immediately contact your dealer or builder.

Optional Accessories – See the Owner's Manual for available custom panel kits.

Your dishwasher is a water heating appliance.

CHECK THE FOLLOWING

- Tub trim does not interfere with the door
- Dishwasher is square and level at both the top and bottom of the cabinet opening, with no twisting or distortion of the tub or door
- Base is firmly in contact with the floor
- Drain hose is not pinched between the dishwasher and adjacent cabinets or walls
- Tub trim is fully seated on the tub flange

**READ CAREFULLY
KEEP THESE INSTRUCTIONS**

Before Installing the Dishwasher

WARNING



TIP-OVER HAZARD

- Do not use the dishwasher until it is correctly installed.
- Do not push down on the door when it is open.
- Do not place excessive weight on the open door.

ELECTRIC SHOCK HAZARD



Failure to follow these instructions can result in death, fire, or electric shock:

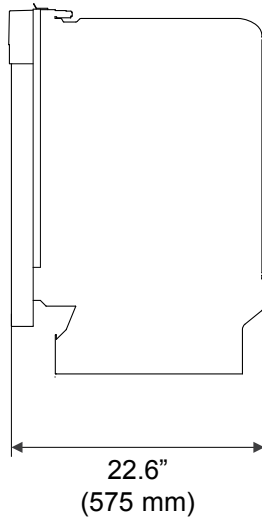
- Electrically ground the dishwasher
- Connect the ground wire to the green ground connector in the junction box.
- Do not use an extension cord.

To reduce the risk of electric shock, fire, or injury to persons, the installer must ensure that dishwasher is completely enclosed at the time of installation.

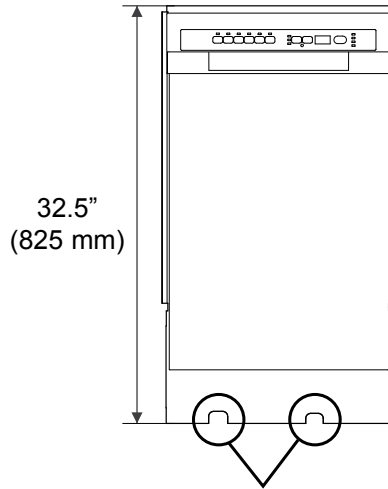
Preparing the Dishwasher Enclosure

Product Dimensions

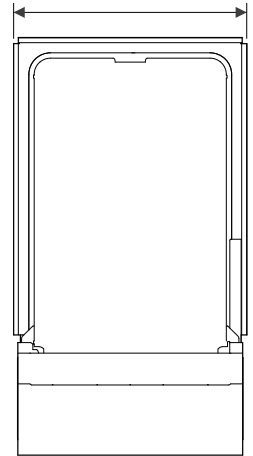
Rear View



Front View



Back View
600 mm
(on 24"/61 cm models)
450 mm
(on 18"/45.7 cm models)



The water supply line, power cable and drain hose should run through this space behind the dishwasher. Then, the power cable run in channels under the dishwasher to connections at the front.

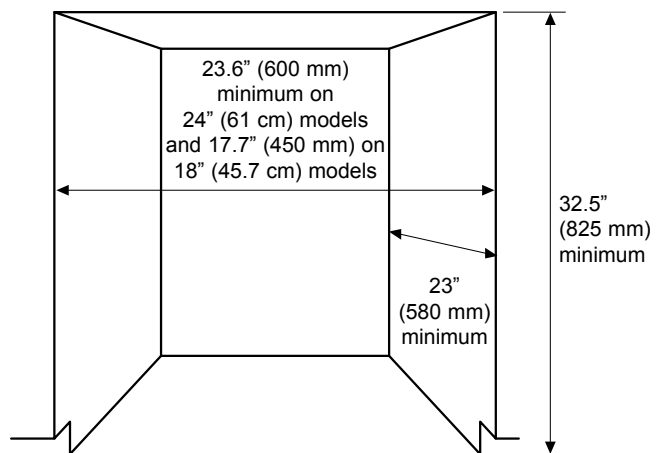
Enclosure Dimensions

This dishwasher is designed to be enclosed on the top and on both sides by a standard residential kitchen cabinet unit.

The installation enclosure must be clean and free of any obstruction.

The enclosure must be at least 23.6 inches (60 cm) wide for 24" (61 cm) models or 17.7 inches (45 cm) for 18" (45.7 cm) models, 23 inches (58.4 cm) deep and 32.5 inches (82.5 cm) high.

For the front door of the dishwasher to be flush with the leading edge of the counter top, the counter top must be at least 23 inches (58.4 cm) deep.



Installing the Dishwasher

Be sure that you or your installer follow these instructions closely so that the new dishwasher works properly and that you're not at risk of injury when washing dishes.

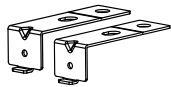
STEP 1

CHECK THE PARTS AND TOOLS

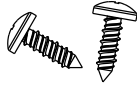
Before starting on the installation, prepare all the necessary tools and parts required to install the dishwasher. This will save installation time and simplify the installation process.

PARTS REQUIRED

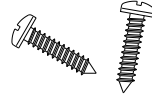
Provided with the dishwasher. Check when you unbox the dishwasher in Step 5.



Installation brackets
X2



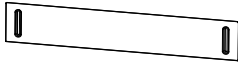
ST3.5*9 X2
(for the installation
bracket)



ST3.9*13 X2
(for the kick plate)



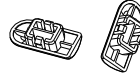
ST4*14 X2
(for installation
brackets)



Kick panel



Condensation strip

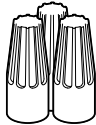


Adjustment cap X2

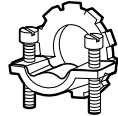


Cable tie
(for the drain hose)

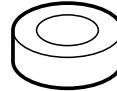
NOT PROVIDED



Twist-on wire
connectors



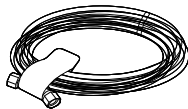
Strain relief



Electrical tape &
standard duct tape



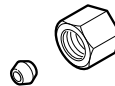
Power cable



Hot water
supply line



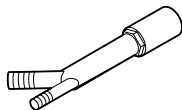
90° Elbow



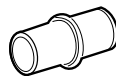
Tube Fittings



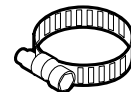
Teflon tape or
sealing compound



Air gap



Rubber connector



Hose clamp

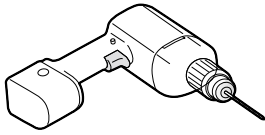
For the hot water supply line, we strongly recommend using copper tubing with a compression fitting or a flexible stainless steel braided hot water supply line.

WARNING

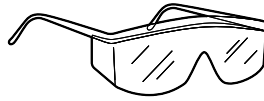
Do not use plastic tubing. Plastic tubing can deteriorate over time and cause a leak inside the tube fitting.

Installing the Dishwasher

TOOLS REQUIRED



Electric drill



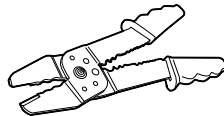
Safety glasses



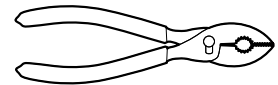
Gloves



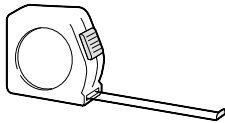
Adjustable wrench



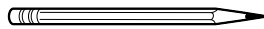
Wire stripper



Pliers



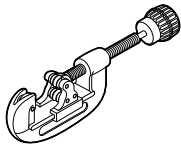
Tape measure



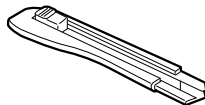
Pencil



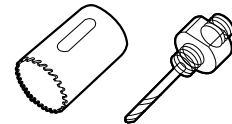
Phillips head screwdriver



Tubing cutter



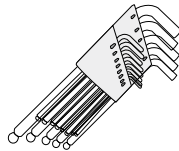
Cutting knife



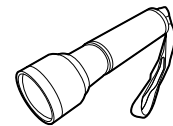
Hole saw



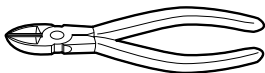
Torx t20



Hex L-Wrench



Flashlight



Nipper



Flat head screwdriver



Level

Installing the Dishwasher

New installation

If the dishwasher is a new installation, most of the installation work must be done before the dishwasher is moved into place.

Replacement

If the dishwasher is replacing an old one, you must check the existing dishwasher connections for compatibility with the new dishwasher. Replace the existing connections as necessary.

STEP 2

SELECT THE BEST LOCATION FOR THE DISHWASHER

The following criteria is important to ensure the best location for the dishwasher:

- The location must have a solid floor that is able to support the weight of the dishwasher.
- The location must be near a sink with easy access to the water supply, drain, and electrical outlet.

For the drain to operate properly, the dishwasher should be installed within 9.8 ft (3 m) of the sink.

- The location should let you load your dishes into the dishwasher easily.
- The location must have sufficient space for the dishwasher door to open easily and provide enough space between the dishwasher and the cabinet sides (at least 0.1 in (2 mm)).

If the dishwasher is installed in a corner, ensure that the side of the dishwasher is more than 2 in (50 mm) from the wall or cabinet to its right or left.

- The wall at the back must be free of obstructions.

If this is a new installation, follow these steps:

1. Using a hole saw, cut a hole into the side of the cabinet that hold the sink as shown in Figure 1-1 below.
2. If the base inside the sink cabinet is raised above the kitchen floor and is higher than the connections on the dishwasher, make a hole in the base inside the cabinet and in the cabinet side as shown in Figure 1-2.

Depending on where your electrical outlet is, you may need to cut a hole in the opposite cabinet side.

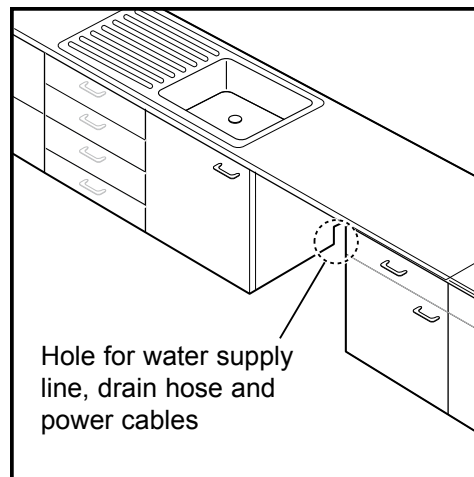


Figure 1-1

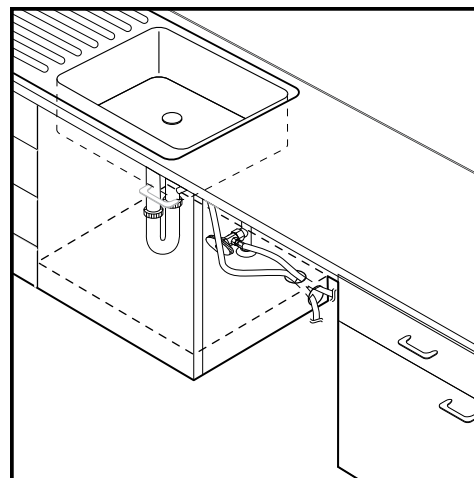


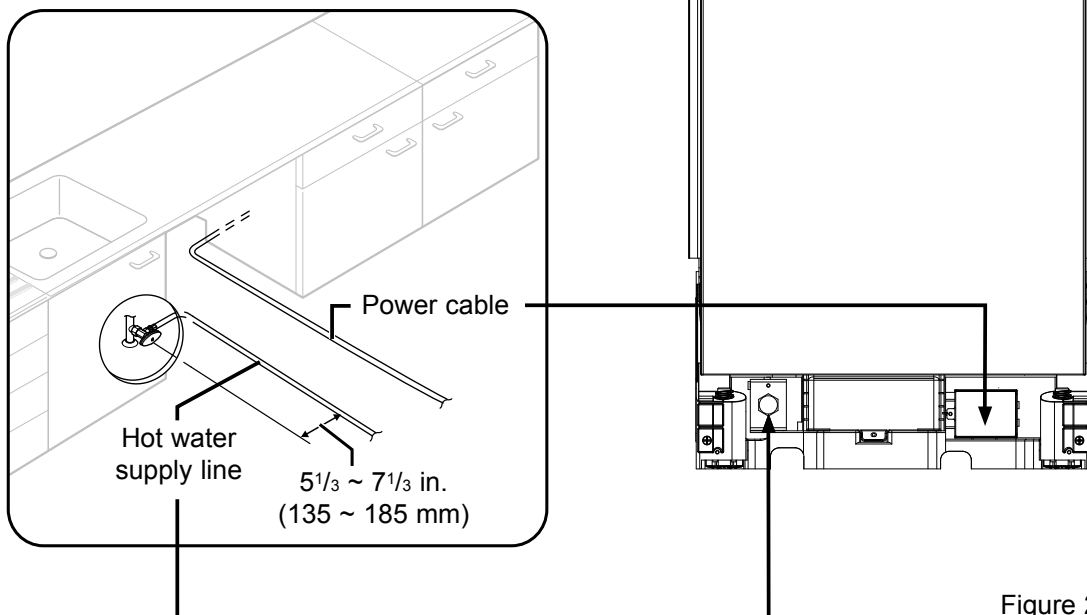
Figure 1-2

Installing the Dishwasher

STEP 3

CHECK WATER SUPPLY REQUIREMENTS AND CAUTIONS

- The hot water supply line pressure must be between 0.04-1MPa.
- Adjust the water heater to deliver water between 120 °F (49 °C) ~ 149 °F (65 °C).
- The dishwasher must be connected to a hot water supply between 120 °F (49 °C) ~ 149 °F (65 °C).
- This temperature range provides the best washing results and shortest cycle time. Temperature should not exceed 149 °F (65 °C) to prevent damage to dishes.
- Ensure that the water supply valve is turned off before connecting the hot water supply line to the dishwasher.
- Seal the hot water supply line connections using teflon tape or sealing compound to stop any water leakage.
- When you install the dishwasher, ensure there is nothing on the drain hose and be careful not to tear it during the installation process.



Installing the Dishwasher

STEP 4

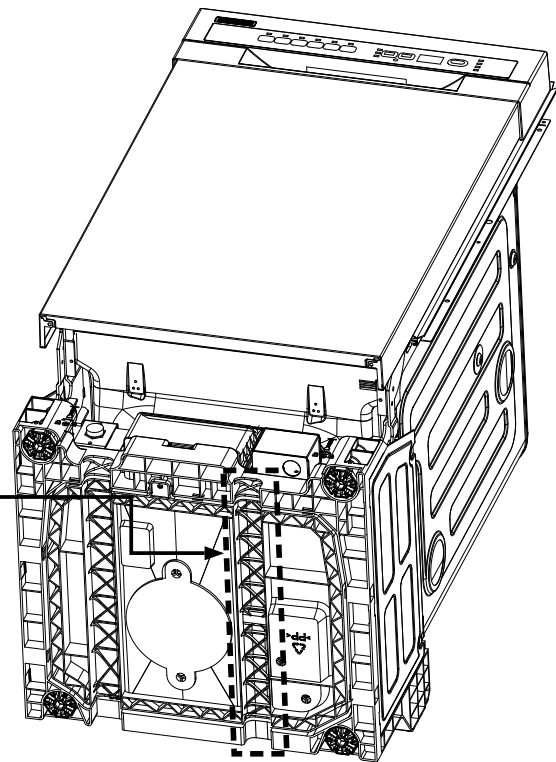
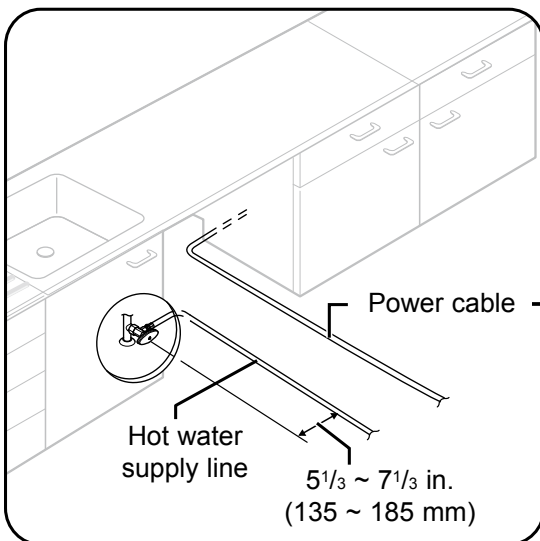
CHECK THE ELECTRICAL REQUIREMENTS AND CAUTIONS

The electrical requirements for the dishwasher are as follows:

- In the United States, install in accordance with the National Electric Code/State and Municipal codes and/or local codes.
- In Canada, install in accordance with the Canadian Electric Code C22.1-latest edition/Provincial and Municipal codes and/or local codes.

For cable direct connections:

- Use flexible, armored or nonmetallic sheathed, copper wire with a grounding wire that meets the wiring requirements for your local codes and ordinances.
- Use the strain relief method provided with the wiring junction box or install a U.L.-listed/CSA certified clamp connector to the wiring junction box. If using conduit, use a U.L. Listed/CSA certified conduit connector.



Dishwasher bottom

Figure 3

Installing the Dishwasher

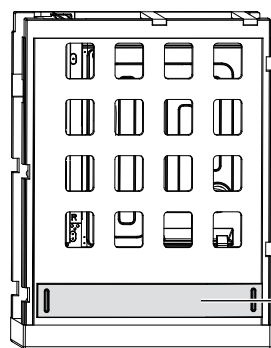
STEP 5

UNPACKING AND INSPECTING THE DISHWASHER

Unbox the dishwasher in an open area free of obstructions both, around the carton and overhead. We recommend that you retain the carton and all the packing materials until the dishwasher is fully installed and operational to ensure you have removed all the product's components from the carton prior to disposal.

Unboxing

1. Unbuckle or cut the four straps securing the carton top.
2. Lift the top of the telescoping carton clear of the carton tray and the contents, and then turn it over and place it on the floor.
3. Put the straps and all of the packing materials from around the dishwasher inside the carton top, inspecting them for any signs of damage.
4. Locate and set aside the dishwasher's kick panel. The kick panel is attached to packing material of the dishwasher.



5. Lift the dishwasher from the carton tray, and then place it on the floor. Put the tray into the carton top.
6. Remove the bag that protects the dishwasher during shipping.



CAUTION

ALWAYS LIFT the dishwasher to MOVE it.

Sliding it over rough surfaces can damage the dishwasher's feet and sliding the feet over finished surfaces can, in some cases, damage that finish or the underlying surface.

7. There is also packing inside the dishwasher that you may want to leave in place until the dishwasher is installed.
8. DO not, under any circumstances, remove the sound-absorbent padding that surrounds the exterior of the tub of the dishwasher.

Inspection

Mechanical

1. Check the plastic base assembly to ensure that it is intact.
2. Check the dishwasher's feet to ensure they are in place and can be adjusted so you can level and secure the dishwasher.
3. Check all the visible components on the bottom of the dishwasher to ensure they are intact and secure.
4. Check the door latch, the operation of the hinges, and confirm the door is properly secured to the dishwasher.

Plumbing

1. Check the hot water connection on the front left-side of the base of the dishwasher. The mounting plate should be secured to the front of the base, the threads inside the connection should be smooth and shiny, and the area should be clean and free of any debris.
2. Check the plastic brake and sensor cases to ensure these assemblies are not cracked and that all connections are secure.
3. Check the drain hose for any holes or deformities that could allow a water leak during draining.

Electrical

1. Confirm the junction box cover is secured to the junction box on the front right-side of the base of the dishwasher.
2. Confirm the electrical box was not damaged during shipping and that it is secured to the base of the dishwasher.

Appearance

1. Confirm there are no dents or scratches on the front of the dishwasher.
2. Check the edges of the doors for any roughness or cracking.
3. Check the control panel to ensure it is clear and unscratched, and that all the control markers are in their proper places.

Parts

1. Confirm you have all the parts listed in Step 1.

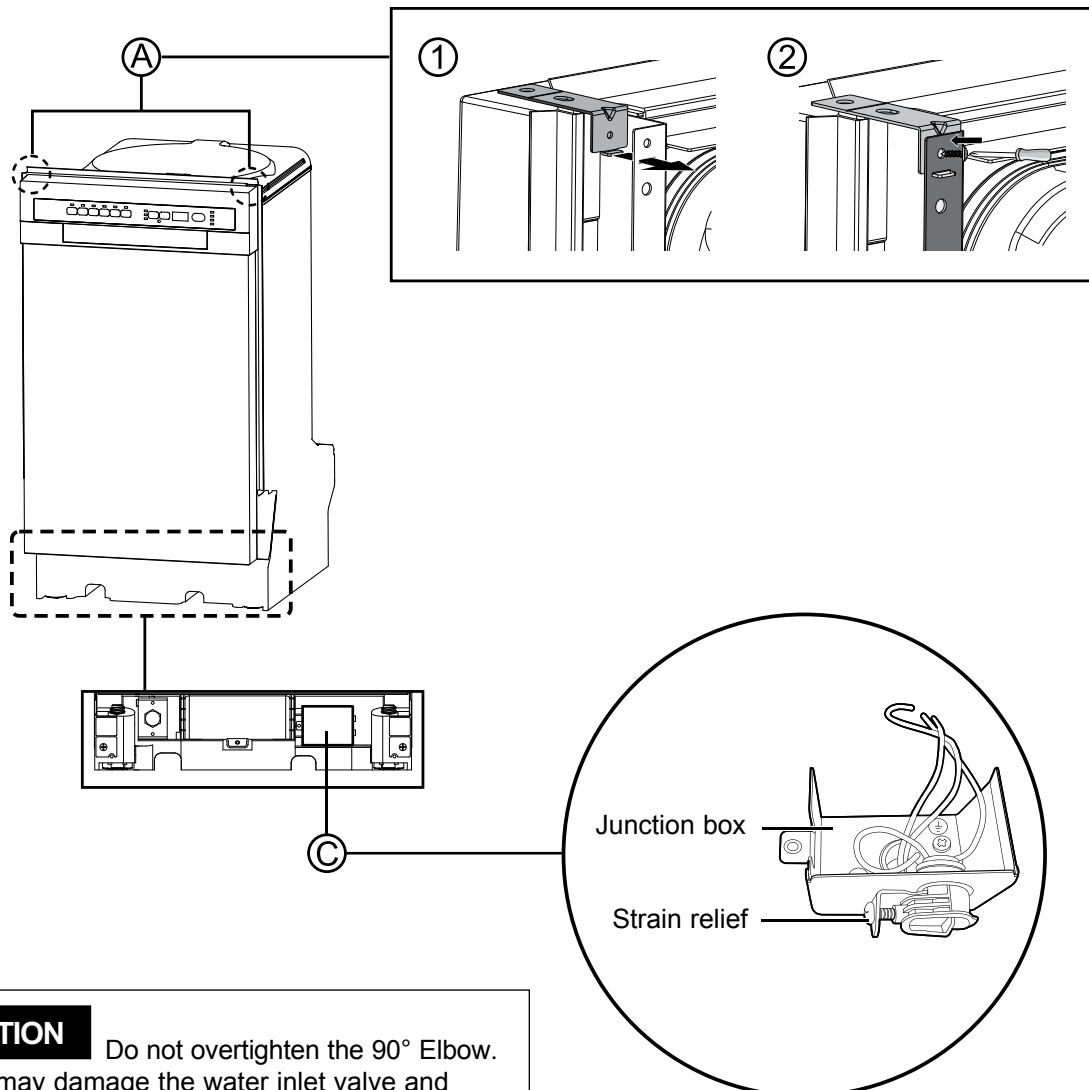
Installing the Dishwasher

STEP 6 PREPARING THE DISHWASHER

1. Ensure that the circuit breaker and water supply valve are turned off before proceeding with the following steps.

CAUTION Before you move or lay down the dishwasher for installation, make sure to adjust the height of the legs so the legs are as short as possible. This prevents the legs from breaking. Level the dishwasher by adjusting the height of the legs after you have the dishwasher in place.

2. Make sure there are no kinks and that the hose is not bent at any extreme angles that could constrict the flow of water.
3. Remove the junction box cover located at the bottom front right of the dishwasher using a screwdriver, and then install the strain relief (Figure 4 - C). Make sure to keep the junction box cover you removed. It is used in Step 11, Wiring Connections.
4. If the countertop is made of wood or a material that is not damaged by drilling, attach the two Installation brackets that were supplied with the dishwasher using the supplied screws (Figure 4-A). They will be used in Step 9 Securing the Dishwasher.



CAUTION Do not overtighten the 90° Elbow. Doing so may damage the water inlet valve and cause a water leak.

Figure 4

Installing the Dishwasher

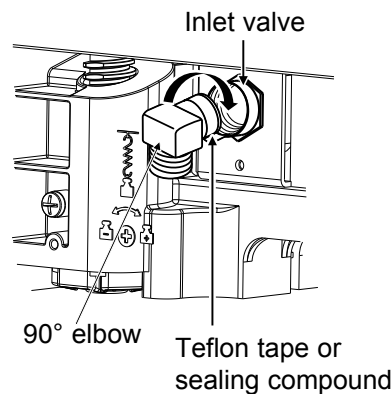
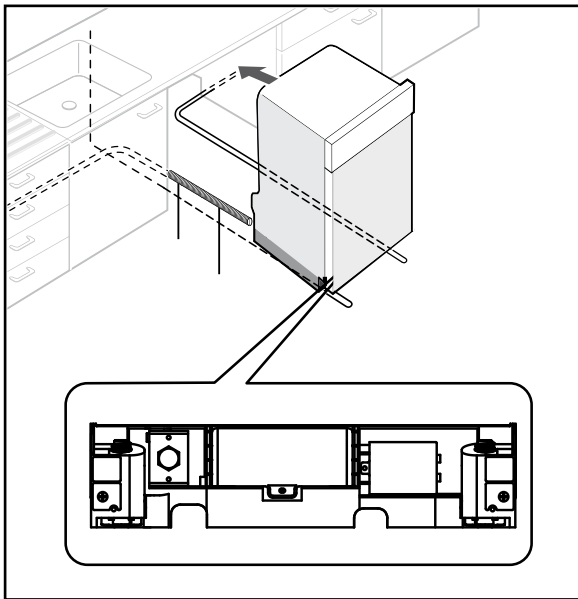
STEP 7

PLACING THE DISHWASHER AND CONNECTING THE HOT WATER SUPPLY LINE

1. Adjust the three leveling legs at the bottom of the dishwasher after measuring the height of the cabinet opening from under the countertop to the floor. (See Step 8, Leveling the dishwasher.)
2. Locate the hot water supply line and the power cable.
3. Place the dishwasher so that the power cable is in the right channel of the base of the dishwasher. Use standard duct tape or cable ties to secure the electrical cable to their adjacent channels in the base. This can prevent the electrical cable from being squeezed when you push the dishwasher into place.
4. Pull the drain hose through the hole in the sink cabinet side wall. Keep it free of kinks.
5. Make sure the hot water supply line is not twisted, and then connect the hot water supply line to the elbow joint.
6. Slide the dishwasher carefully into the installation space. If possible, gently pull any excess lengths of water supply line, drain hose, or power cable back as you move the dishwasher. Have a second or third person to help you do this if necessary.

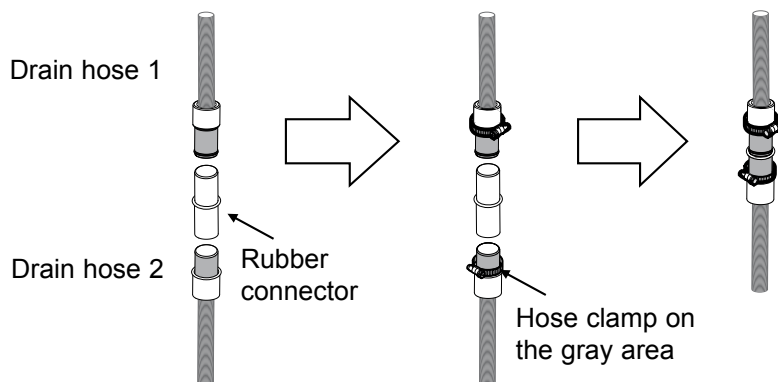
CAUTION

Do not place the dishwasher on the water supply line, drain hose, or power cable. Also, make sure they are not folded or twisted.



CAUTION

Do not overtighten the 90° Elbow. Doing so may damage the water inlet valve and cause a water leak.

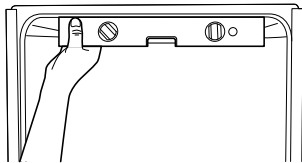


Installing the Dishwasher

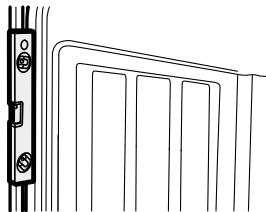
STEP 8

LEVELING THE DISHWASHER

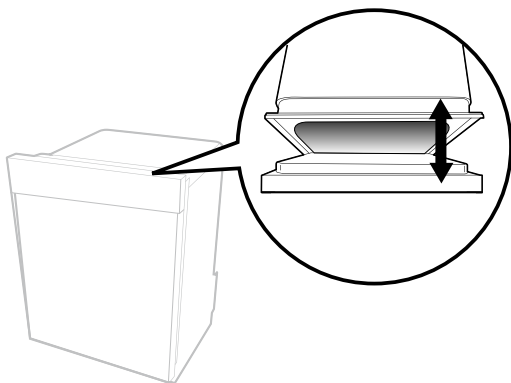
1. Open the door and place the level against the top of the tub on the inside and check if the dishwasher is level. If it is not level, rotate the leveling legs at the bottom front of the dishwasher until the dishwasher is level. See the first note below for instructions on adjusting the height of the front legs.



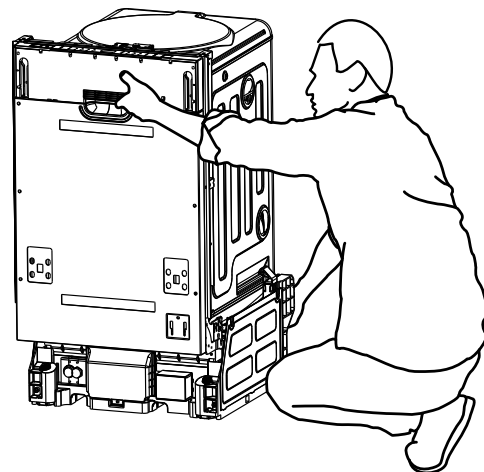
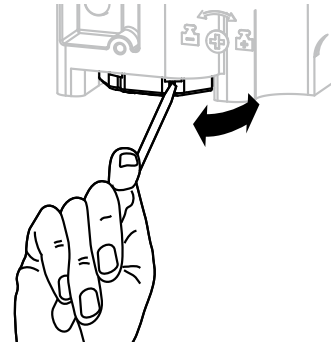
2. Use the level to check if the dishwasher is level front to back, as shown in the figure to the right. If the dishwasher is not level front to back, adjust the height of the rear leg until the dishwasher is level. See the second note below for instructions on adjusting the rear leg.



3. Open the door of the dishwasher and check if both the tub and door clearances are correct. If not, rotate the leveling legs on the bottom front of the dishwasher. You can also check this by placing a level against an inside front vertical surface of the tub.



If the leveling legs are rotated to the right (counter clockwise), they are loosened and the front of the dishwasher is raised. And the maximum height be raised is about 50 mm. If they are rotated to the left (clockwise), they are tightened and the front of the dishwasher is lowered.



CAUTION

Before you move the dishwasher for installation, make sure to adjust the height of the legs so the legs are as short as possible. This prevents the legs from breaking. Level the dishwasher by adjusting the height of the legs after you have the dishwasher in place.

When you prepare to move the dishwasher for installation, you should put your hand under the basement, this prevents your hand from injuring.

Installing the Dishwasher

STEP 9

SECURING THE DISHWASHER

You must fix the dishwasher to the countertop or cabinet side walls for additional stability and safety

1. If the countertop is made of wood or the material will not be damaged by drilling, follow the instructions in 2-1 below.

If the countertop is made of granite, marble, or any other material that can be damaged by drilling, follow the instructions in 2-2 below.

- 2-1. Put a large towel into the bottom of the dishwasher to prevent wood shavings or a dropped screw from falling into the dishwasher.

Carefully drill screw holes into the countertop bottom by passing the drill bit through a screw hole in each bracket, and then drilling into the counter top bottom beneath.

Make sure the hole you drill is smaller than the diameter of the screw.

First, put the installation bracket into the slot of the side plane and tighten to the dishwasher with screw ST3.5*9. Then, insert the provided screws into the brackets, and finally tighten to secure the dishwasher to the countertop.

- 2-2. Put a large towel into the bottom of the dishwasher to prevent wood shavings or a dropped screw from falling into the dishwasher. Remove the adjustment cap with the tip of a screwdriver.

The caps are just inside the tub near the middle of the tub on both sides (figure 6 below).

Drill a hole into the sides of the kitchen cabinet on both sides by carefully passing a drill bit through the screw holes exposed by the removal of the spacer caps, and then drilling into the cabinet side beneath.

Make sure the hole you drill is smaller than the diameter of the screw.

Also make sure the drill bit does not strike the sides of the spacer cap holes. Firstly, put the installation bracket into the slot of the side plane and tighten to the dishwasher with screw ST3.5*9. Then, insert the provided screws into the holes, and then tighten to secure the dishwasher to the cabinet. Make sure the tub is not distorted by pressure from the screws.

If the tub is distorted, loosen the screws a little. Replace the tub spacer caps.

- The screws or tub spacer cap may fall into the dishwasher while you are working with the door open. Cover the interior of the dishwasher with a towel to prevent any screws from falling into the dishwasher. If any foreign items such as a screw get into the dishwasher, it may cause noise, an abnormal operation, damage, or a malfunction.
- Use a magnetic screwdriver to help prevent screws from falling into the dishwasher.
- If a foreign item such as a screw gets into the dishwasher and you are unable to remove it, the dishwasher needs to be disassembled. Contact a qualified service technician for this.

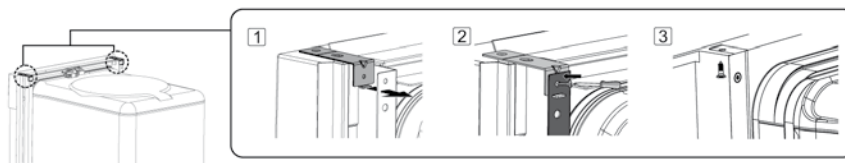


Figure 5

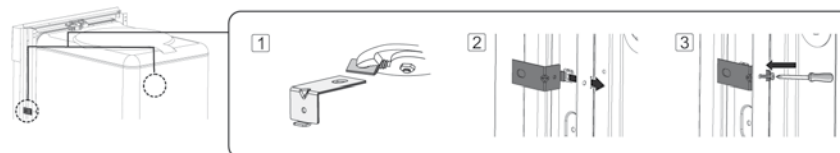
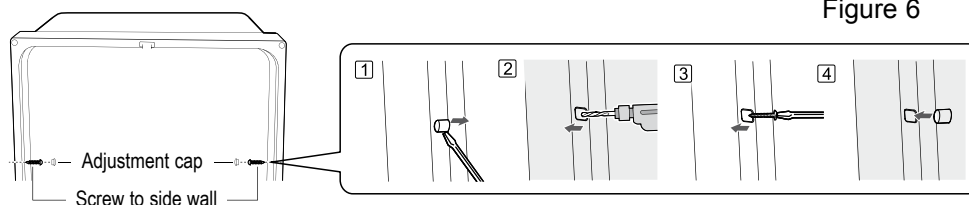


Figure 6



Installing the Dishwasher

STEP 10

CONNECTING THE DRAIN HOSE

1. Check the parts on the sink to which the drain hose will be connected.
2. There are several ways to insert the drain hose into the drain hose connector of the sink, as shown in the following figures. You must connect the drain hose in accordance with the water pipe installation regulations in your region.

Case 1. Without disposal

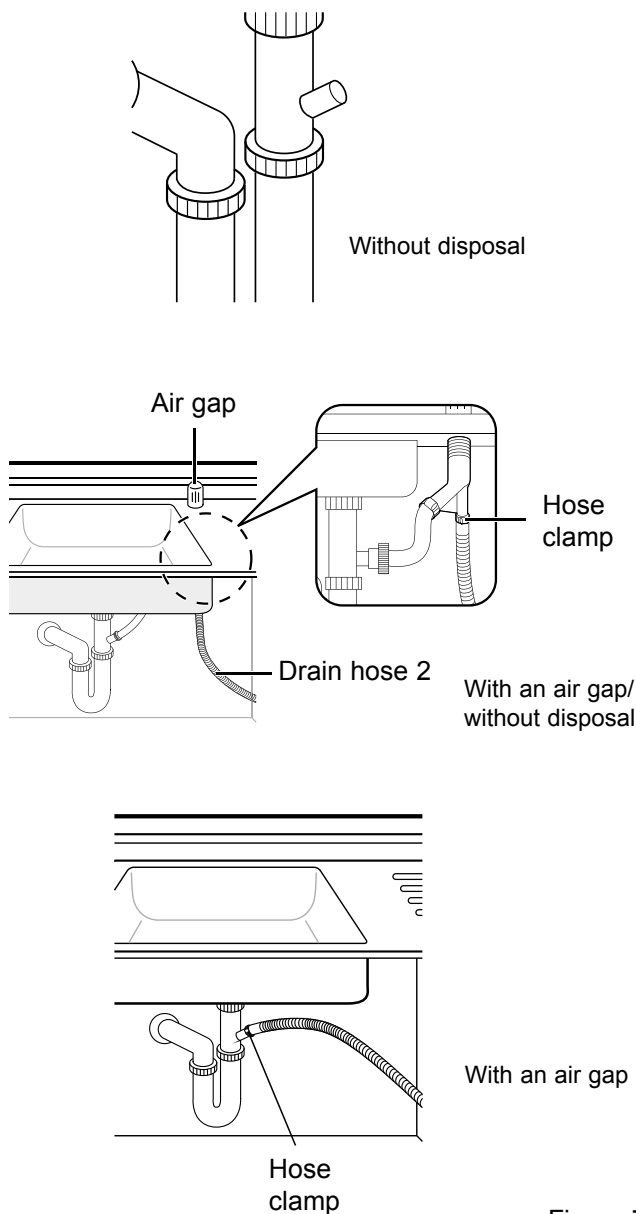
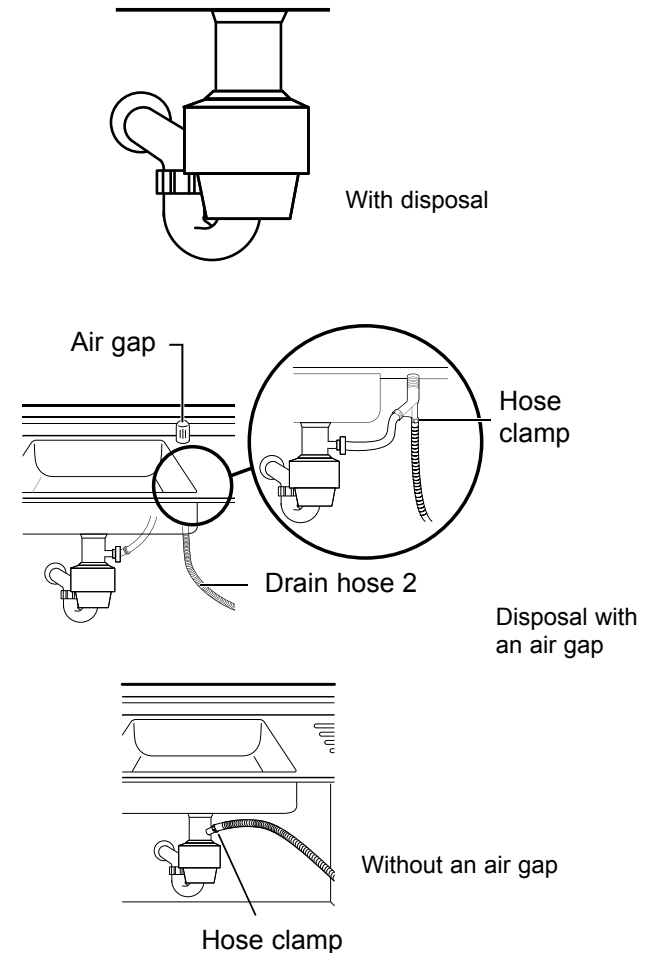


Figure 7

Case 2. With disposal



3. Check the size of the sink's drain hose connector (21 mm- as shown in Figure 8 below). If the end of the drain hose does not fit onto the drain hose connector of the sink, use an adaptor purchasable at a plumbing/hardware supply store.
4. Slide a hose clamp over the end of the drain hose. Attach the drain hose to the sink connector, slide the hose clamp to the end of the hose, and then tighten the hose clamp.
Note: You must use a hose clamp. Failure to do so may cause water leakage.
5. If there is no air gap, make sure to hang the middle of the drain hose well above the sink cabinet base to prevent backflow (see Figure 10 on the next page).

Installing the Dishwasher

STEP 10

CONNECTING THE DRAIN HOSE (cont.)

- When drilling a hole for the drain hose on the cabinet wall, take caution not to damage the drain hose by sharp edges of the hole. On wooden walls, use sand paper to soften the edges. On metal walls, use insulation tape or duct tape to cover the sharp edges around the hole.
- Take caution not to damage the drain hose when installing the dishwasher on the floor, wall, or cabinet. To prevent leaks or drainage problems, make sure the drain hose is not damaged, kinked, or twisted.
- Do not cut the wrinkled area of the drain hose to fit the size. When arranging the drain hose, take caution not to contact on sharp edges of the cabinet or under-sink.

CAUTION

- Be careful when cutting off the end of the drain hose as there is a risk of injury. Clean around the sink's drain connection so that it does not damage the hose. Check for any foreign items in the drain hose and remove them.
- When arranging the drain hose, make sure the drain hose is not cut, torn, or broken by any sharp edges of the floor, the product itself, or the cabinet. A damaged drain hose causes a leak.

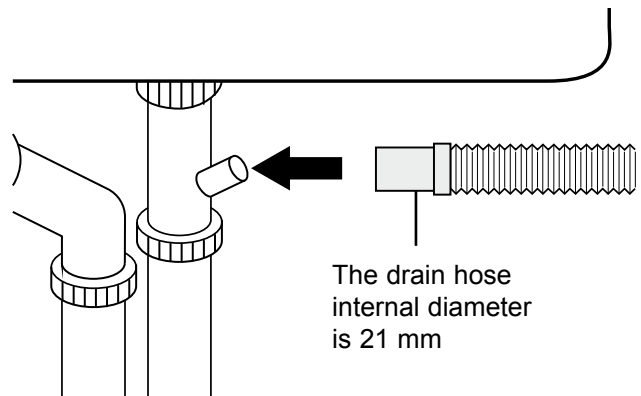


Figure 8

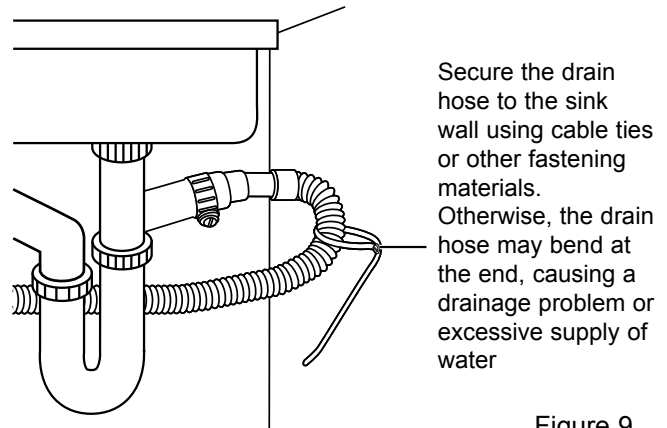


Figure 9

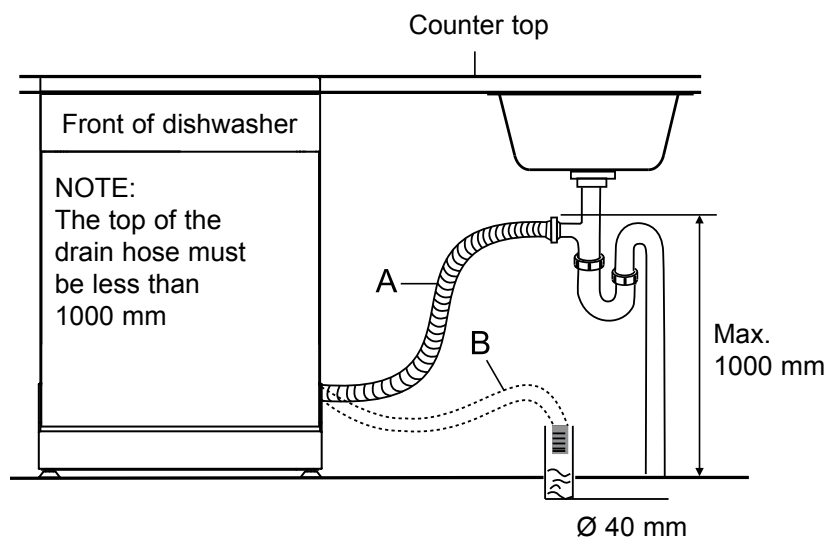


Figure 10

Installing the Dishwasher

STEP 11

WIRING CONNECTIONS

1. Before connecting the power cable to the dishwasher, make sure the circuit breaker is off.
2. In the junction box located at the front bottom right of the dishwasher, find the three power wires from the dishwasher including the grounding line.
3. Pass the power cable through the strain relief, and then into the junction box (Figure 11).
4. Connect the black wire of the dishwasher to the black wire of the power cable by inserting both into a wire nut and then rotating the wire connector as shown in Figure 12.
5. Connect the white wire to the white wire and the green to the green in the same manner.
Connect the white wire to the white wire and the green to the green in the same manner.
6. Replace the junction box cover on the dishwasher.

⚠ WARNING Electrical Shock Hazard

To avoid electrical shock, do not work on an energized circuit. Doing so could result in serious injury or death. Only qualified electricians should perform electrical work. Do not attempt any work on the dishwasher electric supply circuit until you are certain the circuit is de-energized.

⚠ WARNING Fire Hazard. To avoid a fire hazard, make sure electrical work is properly installed. Only qualified electricians should perform electrical work.

Recheck each wire to ensure it is connected correctly and securely.

Each colored wire should be connected to the corresponding wire of the same color.

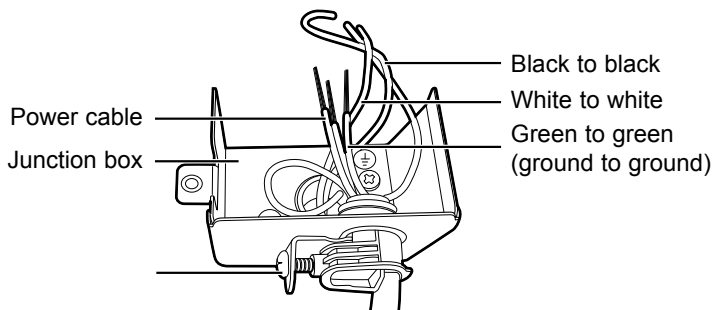


Figure 11

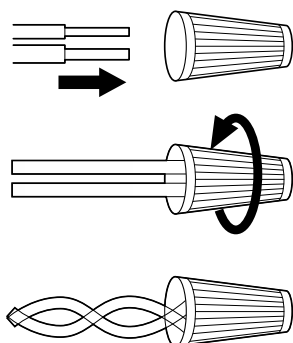


Figure 12

Installing the Dishwasher

STEP 12 COMPLETING THE INSTALLATION

1. Open the door and remove all foam, paper packaging, and unnecessary parts.
2. Turn on the circuit breaker you turned off before you began the installation.
3. Open the water supply valve to supply water to the dishwasher.
4. Turn on the dishwasher, and then select and run a cycle.

Check if the power turns on correctly and if there is any water leakage while the dishwasher is operating. If no errors occur while it is operating, turn off the dishwasher, and then go to Step 5 below.

If an error has occurred, turn off the dishwasher, close the water supply valve, and then refer to the user manual or contact local service center.

CAUTION Make sure to check for water leakage on both ends of the water supply line and drain hose connector.

5. Confirm that the kick plate gasket is on the bottom of the kick plate. To install the kick plate with screw ST3.9*13, refer to the figure below.

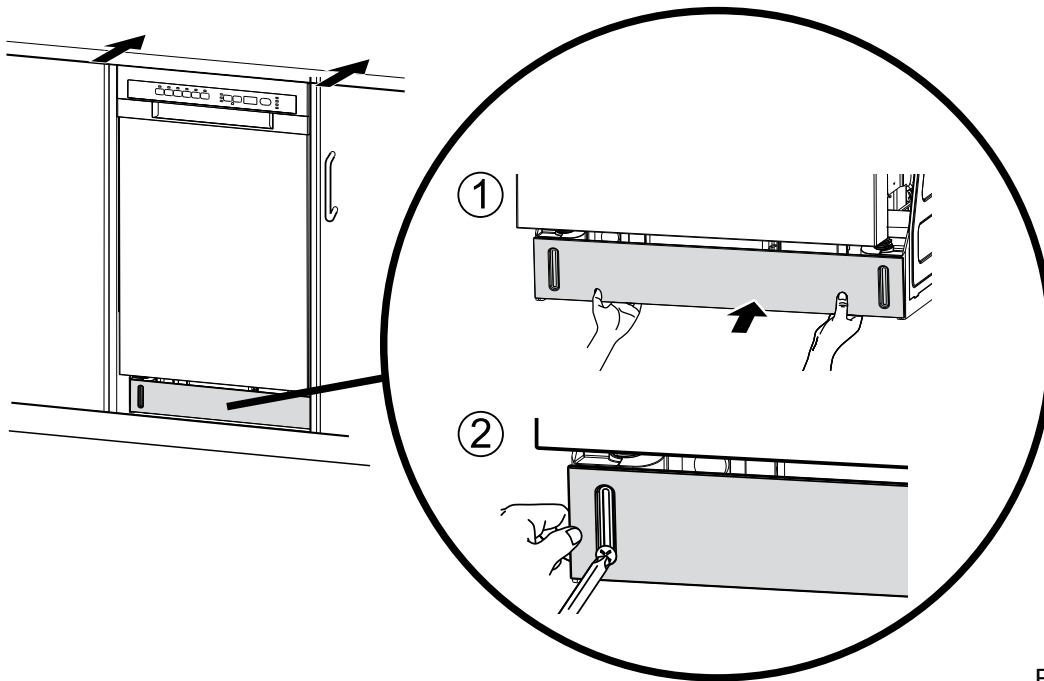


Figure 13

Installing the Dishwasher

STEP 12 COMPLETING THE INSTALLATION PANEL READY ONLY

1. Open the door and remove all foam, paper packaging, and unnecessary parts.
2. Turn on the circuit breaker you turned off before you began the installation.
3. Open the water supply valve to supply water to the dishwasher.
4. Turn on the dishwasher, and then select and run a cycle.

Check if the power turns on correctly and if there is any water leakage while the dishwasher is operating. If no errors occur while it is operating, turn off the dishwasher, and then go to Step 5, 6, 7 below.

If an error has occurred, turn off the dishwasher, close the water supply valve, and then refer to the user manual or contact local service center.

CAUTION Make sure to check for water leakage on both ends of the water supply line and drain hose connector.

5. Confirm that the kick panel gasket is on the bottom of the kick panel. To install the kick panel with screw ST3.9*13, refer to the figure 14.

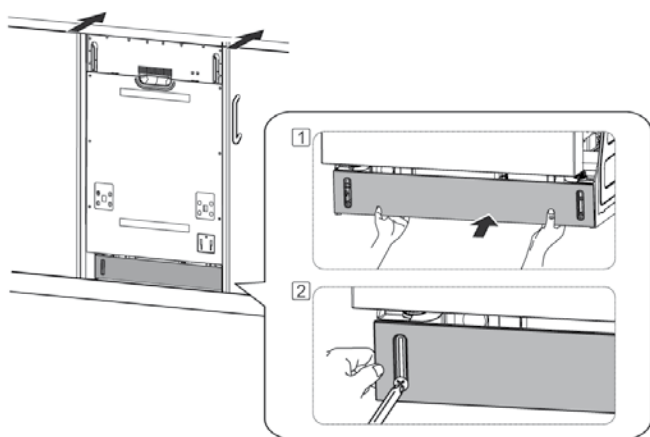


Figure 14

6. Install the decoration door to the outer door of the dishwasher.
 - 1) Install the hook and brackets on the decoration door, see the figure 15.
 - 2) Put the hook into the slot of the outer door, for the positioning, see the figure 16.
 - 3) Fix the decoration door onto the outer door by screws and bolts, see the figure 17.

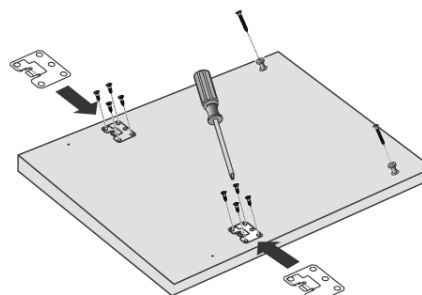


Figure 15

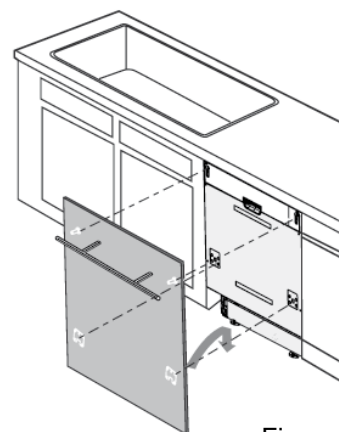


Figure 16

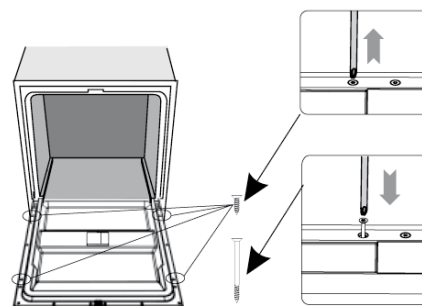


Figure 17

Installing the Dishwasher

STEP 12 COMPLETING THE INSTALLATION (cont.)

7. Tension adjustment of the door spring.

The door springs are set at the factory to the proper tension for the outer door. If the decoration door is installed, you will have to adjust the door spring tension.

Rotate the adjusting screw to drive the adjustor to strain or relax the steel cable, see figure 18.

Door spring tension is correct when the door remains horizontal in the fully opened position, yet rises to a close with the slight lift of a finger.

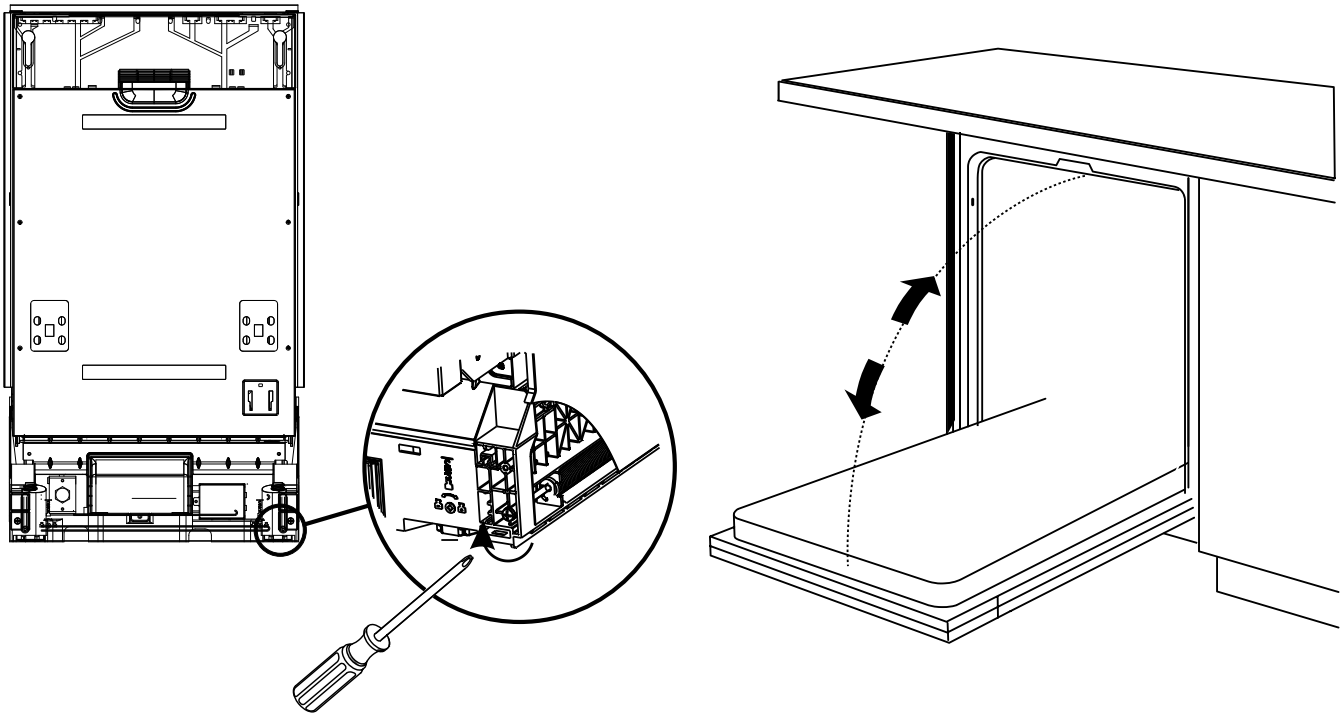


Figure 18

Specifications

Be sure that you or your installer follow these instructions closely so that the new dishwasher works properly and that you're not at risk of injury when washing dishes.

Model	18 inches (45.7 cm) models	24 inches (61 cm) models
Power supply	120 V 60 Hz	120 V 60 Hz
Water pressure	0.04 - 1 MPa	0.04 - 1 MPa
Dimensions (Width x Depth x Height)	450 mm x 580 mm x 825 mm	600 mm x 580 mm x 825 mm
Nominal inlet water temperature	120°F (49°C)	120°F (49°C)

Notes

NOTE: Product improvement is a continuing endeavor at GE Appliances.
Therefore, materials, appearance and specifications are subject to
change without notice.



GE APPLIANCES



Instructions d'installation

Lave-vaisselle encastré

Si vous avez des questions, composez le 800.561.3344 ou consultez notre site Web : electromenagersge.ca

AVANT DE COMMENCER

Lisez attentivement toutes ces instructions.

WARNING

- Remove all power leading to the appliance from the circuit breaker or fuse box before beginning installation. Failure to do so can result in a risk of electrical shock.
- To reduce the risk of electric shock, fire, or injury to persons, the installer must ensure that the dishwasher is completely enclosed at the time of installation.
- The improper connection of the equipment grounding conductor can result in a risk of electric shock. Check with a qualified electrician or service representative if you are in doubt that the appliance is properly grounded. If house wiring is not 2-wire with ground, a ground must be by the installer. When house wiring is aluminum, be sure to use UL-Listed anti-oxidant compound and aluminum-to-copper connectors.
- To reduce the risk of electric shock, fire, or injury to persons, the installer should check to ensure that wires are not pinched or damaged, the house wiring is attached to the junction box bracket through a strain relief, and all electrical connections made at the time of install (wire nuts) are contained inside of the junction box cover.

AVERTISSEMENT

- Avant de commencer l'installation, coupez toute alimentation menant à l'appareil à partir du disjoncteur ou du panneau électrique. Sinon, il peut y avoir un risque de décharge électrique.
- Pour réduire les risques de décharge électrique, d'incendie ou de blessures corporelles, l'installateur doit veiller à ce que le lave-vaisselle soit complètement inséré dans l'enceinte au moment de l'installation.
- Un raccordement inadéquat du conducteur de terre de l'équipement peut accroître les risques de décharge électrique. En cas de doute quant à la mise à la terre de l'appareil, consultez un électricien qualifié ou un représentant du service après-vente. Si le circuit de la maison n'est pas un circuit à deux fils muni d'un fil de mise à la terre, l'installateur doit poser un fil de mise à la terre. Lorsque le câblage de la maison est en aluminium, assurez-vous d'utiliser un composé antioxydant et des connecteurs aluminium-cuivre homologués cUL.
- Pour réduire le risque de décharge électrique, d'incendie ou de blessures corporelles, l'installateur doit vérifier pour s'assurer que les fils ne sont pas pincés ou endommagés, que l'installation électrique est reliée au support de boîte de jonction par un serre-câbles et que toutes les connexions électriques faites au moment de l'installation (capuchons de connexion) se trouvent à l'intérieur du boîtier de la boîte de jonction.

POUR VOTRE SÉCURITÉ

Lisez et respectez toutes les MISES EN GARDE et tous les AVERTISSEMENTS indiqués dans les instructions suivantes.

Pendant l'installation décrite dans ce manuel, il est recommandé de porter des gants et des lunettes de sécurité.

IMPORTANT – Observez tous les codes et règlements en vigueur.

- **Remarque destinée à l'installateur** – Veillez à laisser ces instructions pour une utilisation ultérieure du consommateur ou de l'inspecteur.
- **Remarque destinée au consommateur** – Conservez ces instructions avec votre Manuel de l'utilisateur pour vous y reporter ultérieurement.
- **Niveau de compétence** – L'installation de ce lave-vaisselle nécessite des compétences de base en mécanique, en électricité et en plomberie.
L'installateur est responsable de la qualité de l'installation. Une panne du produit due à une mauvaise installation n'est pas couverte par la garantie des électroménagers GE. Consultez l'information de garantie.
- **Durée de l'installation** – 1 à 3 heures. L'installation initiale demande plus de temps que l'installation d'un appareil de remplacement.

IMPORTANT – Ce lave-vaisselle DOIT être installé de façon à pouvoir, par la suite, le sortir de l'enceinte si une réparation s'avère nécessaire.

Des précautions doivent être prises lors de l'installation ou du retrait de l'appareil afin de réduire les risques d'endommager le cordon d'alimentation.

Si vous avez reçu un lave-vaisselle endommagé, contactez immédiatement le détaillant ou le fabricant.

Accessoires en option – Consultez le Manuel de l'utilisateur pour voir les ensembles de panneaux personnalisés offerts.

Votre lave-vaisselle est un appareil fonctionnant à l'eau chaude.

VÉRIFIEZ CE QUI SUIT

- La garniture de la cuve n'entrave pas la porte;
- Le lave-vaisselle est perpendiculaire et de niveau dans le haut et le bas de l'ouverture de l'armoire, avec aucune torsion ou distorsion de la cuve ou de la porte;
- La base touche solidement le sol;
- Le tuyau d'évacuation n'est pas coincé entre le lave-vaisselle et les armoires ou murs adjacents;
- La garniture de la cuve est complètement placée sur le rebord de la cuve.

**VEUILLEZ LIRE ATTENTIVEMENT
CONSERVEZ CES INSTRUCTIONS**

Avant l'installation du lave-vaisselle

AVERTISSEMENT



RISQUE DE BASCULEMENT

- N'utilisez pas le lave-vaisselle avant qu'il ne soit adéquatement installé;
- N'appuyez pas sur la porte lorsqu'elle est ouverte;
- Ne placez pas un poids excessif sur la porte ouverte.

RISQUE DE DÉCHARGE ÉLECTRIQUE



Ignorer ces consignes peut entraîner une décharge électrique, un incendie, voire la mort :

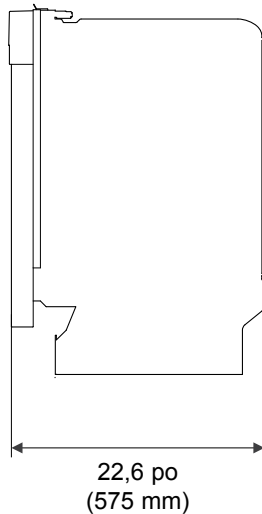
- Le lave-vaisselle doit être mise à la terre électrique;
- Raccordez le fil de mise à la terre au connecteur de mise à la terre vert de la boîte de jonction;
- N'utilisez pas de cordon prolongateur.

Pour réduire les risques de décharge électrique, d'incendie ou de blessures corporelles, l'installateur doit veiller à ce que le lave-vaisselle soit complètement inséré dans l'enceinte au moment de l'installation.

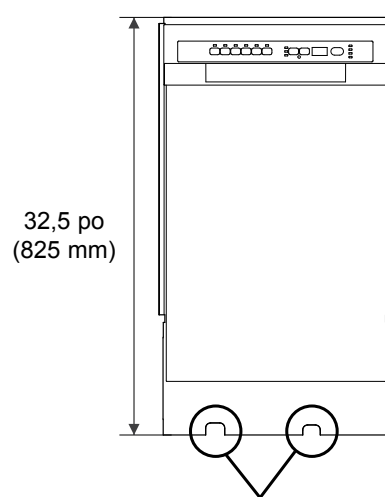
Préparer l'enceinte du lave-vaisselle

Dimensions du produit

Vue arrière

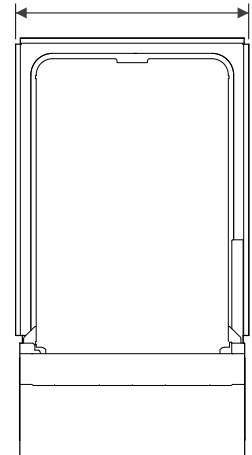


Vue avant



Vue arrière

600 mm (sur les modèles de 24 po/61 cm)
450 mm (sur les modèles de 18 po/45,7 cm)



La conduite d'alimentation en eau, le câble d'alimentation et le tuyau d'évacuation doivent passer dans cet espace derrière le lave-vaisselle.

Ensuite, le câble d'alimentation passe dans les voies sous le lave-vaisselle, vers les connexions à l'avant.

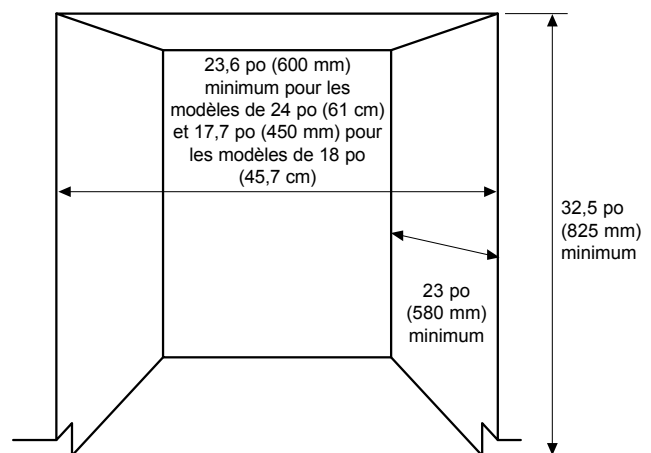
Dimensions de l'enceinte

Ce lave-vaisselle est conçu pour être inséré sur le dessus et les deux côtés par une unité standard d'armoire résidentielle.

L'enceinte de l'installation doit être propre et exempte de toute obstruction.

L'enceinte doit être d'au moins 23,6 po (60 cm) de largeur pour les modèles de 24 po (61 cm) ou 17,7 po (45 cm) pour les modèles de 18 po (45,7 cm), de 23 po (58,4 cm) de profondeur et 32,5 po (82,5 cm) de hauteur.

Pour que la porte avant du lave-vaisselle affleure le bord d'attaque du comptoir, le comptoir doit être d'au moins 23 po (58,4 cm) de profondeur.



Installation du lave-vaisselle

L'installateur ou vous devez respecter attentivement ces instructions afin que le nouveau lave-vaisselle fonctionne correctement et que vous ne soyez pas exposés à des risques de blessures en lavant la vaisselle.

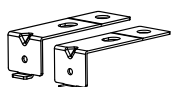
ÉTAPE 1

VÉRIFIER LES PIÈCES ET LES OUTILS

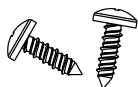
Avant de commencer l'installation, préparez toutes les pièces et tous les outils nécessaires pour installer le lave-vaisselle. Ceci économisera du temps d'installation et simplifiera le processus d'installation.

PIÈCES REQUISES

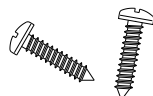
Comprises avec le lave-vaisselle. Vérifiez lors du déballage du lave-vaisselle à l'étape 5.



Brides d'installation
X 2



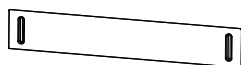
ST3.5*9 X 2
(pour la bride
d'installation)



ST3.9*13 X 2
(pour la plaque
de protection)



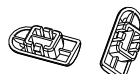
ST4*14 X 2
(pour les brides
d'installation)



Plaque de protection



Bande
de condensation



Capuchon
d'ajustement X 2

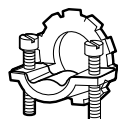


Collier de serrage
(pour le tuyau d'évacuation)

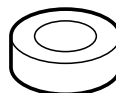
NON COMPRISES



Capuchon de
connexion à visser



Serre-câbles



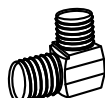
Ruban électrique et
ruban à conduit standard



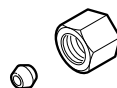
Câble d'alimentation



Conduite d'alimentation
en eau chaude



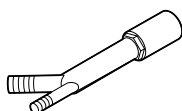
Coude de 90°



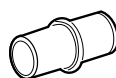
Raccords
de tuyauterie



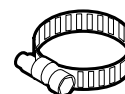
Ruban téflon ou
mastic d'étanchéité



Coupeure antirefoulement



Raccord flexible



Collier de serrage

Pour la conduite d'alimentation en eau chaude, nous recommandons fortement d'utiliser un tuyau en cuivre avec un raccord à compression ou un tuyau torsadé flexible en acier inoxydable d'alimentation en eau chaude.

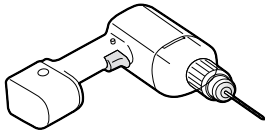


AVERTISSEMENT

N'utilisez pas de tuyaux en plastique. Les tuyaux en plastique peuvent se détériorer avec le temps et provoquer une fuite à l'intérieur du raccord de tuyauterie.

Installation du lave-vaisselle

OUTILS NÉCESSAIRES



Perceuse électrique



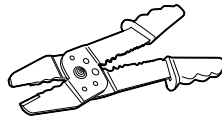
Lunettes de sécurité



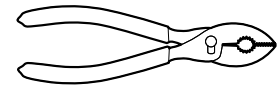
Gants



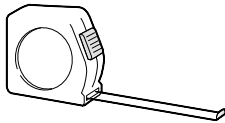
Clé à molette



Pince à dénuder



Pinces



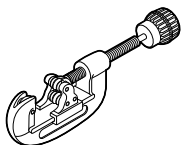
Ruban à mesurer



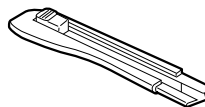
Crayon



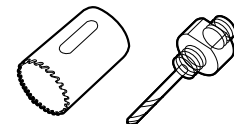
Tournevis Phillips



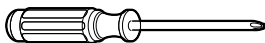
Coupe-tube



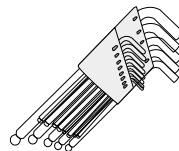
Couteau-coupeur



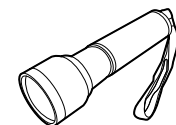
Scie cloche



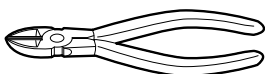
Torx T20



Clé hexagonale



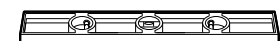
Lampe torche



Pince à dénuder coupante



Tournevis plat



Niveau

Installation du lave-vaisselle

Nouvelle installation

Si le lave-vaisselle est une nouvelle installation, la plupart des travaux d'installation doivent être effectués avant que le lave-vaisselle soit mis en place.

Remplacement

Si le lave-vaisselle en remplace un autre, vous devez vérifier les connexions existantes du lave-vaisselle pour vous assurer de la compatibilité avec le nouveau lave-vaisselle. Au besoin, remplacez les connexions existantes.

ÉTAPE 2 SÉLECTIONNER LE MEILLEUR EMPLACEMENT POUR LE LAVE-VAISSELLE

Les critères suivants sont importants pour assurer le meilleur emplacement pour le lave-vaisselle :

- L'emplacement doit disposer d'un plancher solide, capable de soutenir le poids du lave-vaisselle.
- L'emplacement doit être près d'un évier avec un accès facile à l'alimentation en eau, au drain d'évacuation et à une prise électrique.

Pour que l'évacuation fonctionne correctement, le lave-vaisselle devrait être installé à l'intérieur de 9,8 pi (3 m) de l'évier.

- L'emplacement devrait permettre de charger facilement vos plats dans le lave-vaisselle.
- L'emplacement doit disposer d'un espace suffisant pour que la porte du lave-vaisselle s'ouvre facilement et alloue un espace suffisant entre le lave-vaisselle et les parois latérales de l'armoire (au moins 0,1 po [2 mm]).

Si le lave-vaisselle est installé dans un coin, assurez-vous que la paroi latérale du lave-vaisselle se trouve à plus de 2 po (50 mm) du mur ou de l'armoire à sa droite ou sa gauche.

- Le mur à l'arrière doit être exempt d'obstructions.

S'il s'agit d'une nouvelle installation, suivez ces étapes :

1. En utilisant une scie cloche, coupez un trou dans la paroi latérale de l'armoire sous l'évier, comme illustré à la Figure 1-1 ci-dessous.
2. Si la base à l'intérieur de l'armoire sous l'évier s'élève au-dessus du plancher de cuisine et est plus haute que les raccords sur le lave-vaisselle, faites un trou dans la base, à l'intérieur de l'armoire et dans la paroi latérale de l'armoire, comme illustré à la Figure 1-2.

Selon l'emplacement de votre prise électrique, vous pourriez devoir couper un trou dans la paroi latérale de l'armoire opposée.

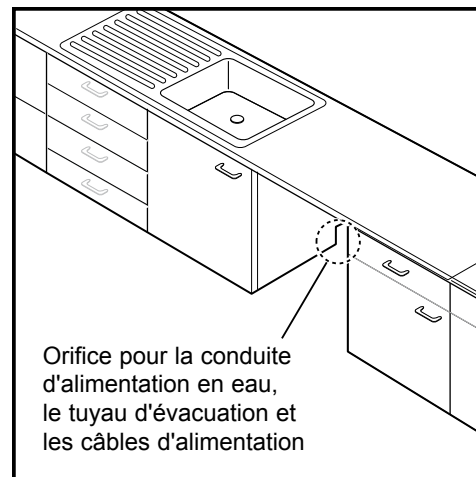


Figure 1-1

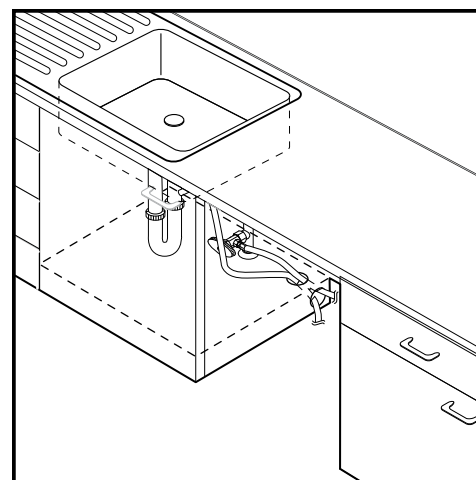
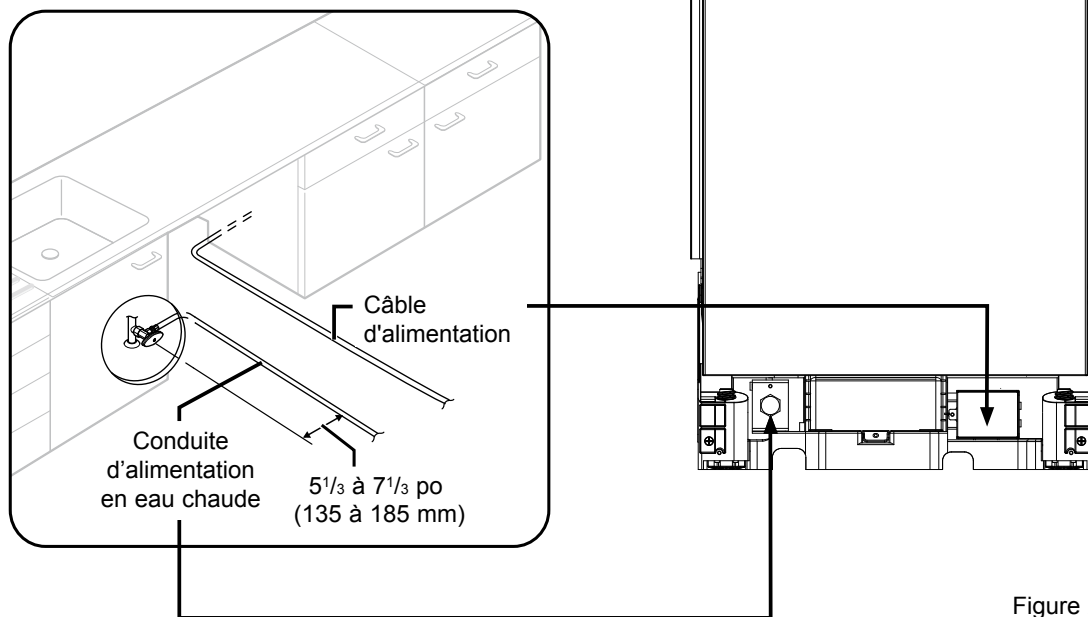


Figure 1-2

Installation du lave-vaisselle

ÉTAPE 3 VÉRIFIER LES EXIGENCES D'ALIMENTATION EN EAU ET LES MISES EN GARDE

- La pression de la conduite d'alimentation en eau chaude doit se situer entre 0,04 et 1 MPa.
- Ajustez la température du chauffe-eau pour qu'il fournisse de l'eau entre 49 °C (120 °F) et 65 °C (149 °F).
- Le lave-vaisselle doit être raccordé à une conduite d'alimentation en eau entre 49 °C (120 °F) et 65 °C (149 °F).
- Cette plage de températures offre les meilleurs résultats de lavage et les temps de cycle les plus courts. Pour prévenir les dommages à la vaisselle, la température ne doit pas dépasser 65 °C (149 °F).
- Assurez-vous que la valve d'alimentation en eau est fermée avant de raccorder la conduite d'alimentation en eau chaude au lave-vaisselle.
- Scellez les raccords d'alimentation en eau chaude en utilisant du ruban téflon ou un mastic d'étanchéité pour arrêter toute fuite d'eau.
- Lorsque vous installez le lave-vaisselle, assurez-vous qu'il n'y a rien sur le tuyau d'évacuation et veillez à ne pas le déchirer pendant le processus d'installation.



Installation du lave-vaisselle

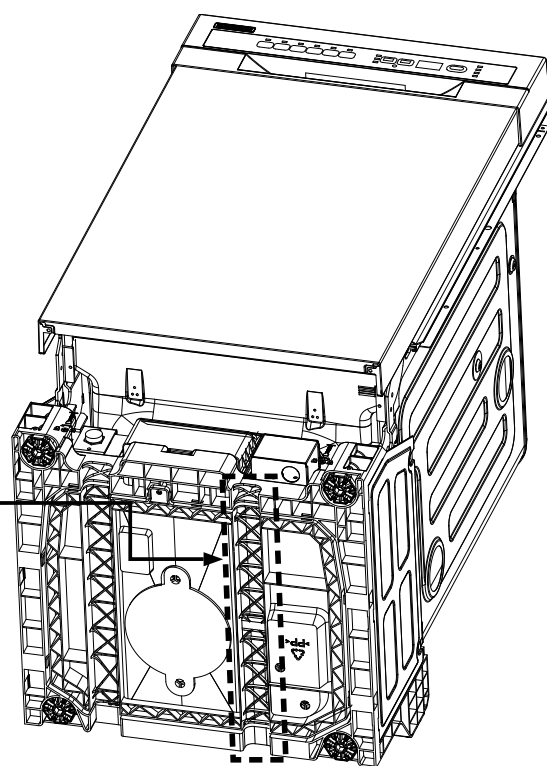
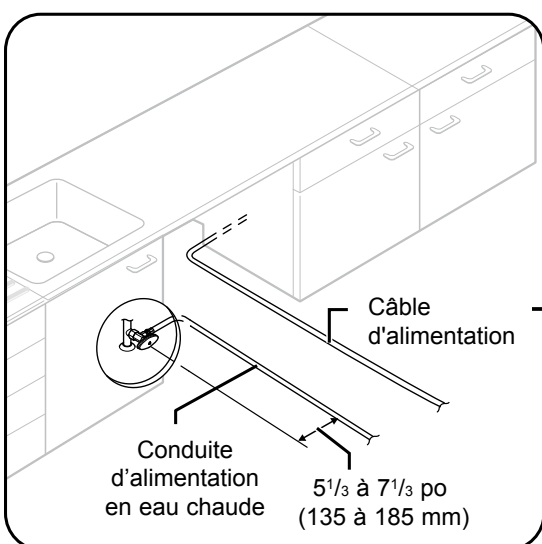
ÉTAPE 4 VÉRIFIER LES EXIGENCES ÉLECTRIQUES ET LES MISES EN GARDE

Les exigences électriques pour le lave-vaisselle sont les suivantes :

- Aux États-Unis, installez conformément au National Electric Code ou aux codes d'États, municipaux et autres codes locaux.
- Au Canada, installez conformément au Code canadien de l'électricité C22.1-dernière édition ou aux codes provinciaux, municipaux et autres codes locaux.

Pour les connexions de câble directes :

- Utilisez un câblage en cuivre flexible, armé ou gainé d'un matériau non métallique, avec un fil de mise à la terre et conforme aux exigences de câblage de votre domicile, ainsi qu'aux codes et règlements locaux en vigueur.
- Utilisez le collier de serrage fourni avec la boîte de jonction du câblage du domicile ou installez un raccord à collier de serrage homologué cUL/CSA sur la boîte de jonction du câblage du domicile. Si vous utilisez un conduit, servez-vous d'un raccord de conduit homologué cUL/CSA.



Fond du lave-vaisselle

Figure 2

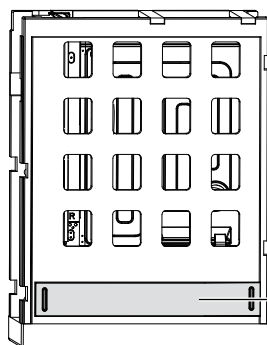
Installation du lave-vaisselle

ÉTAPE 5 DÉBALLAGE ET INSPECTION DU LAVE-VAISSELLE

Déballer le lave-vaisselle dans une zone dégagée, exempte d'obstructions autour et au-dessus de la boîte. Nous recommandons de conserver la boîte et tout le matériel d'emballage jusqu'à ce que le lave-vaisselle soit complètement installé et fonctionnel afin de vous assurer que vous avez retiré tous les composants du produit de la boîte avant de la jeter.

Déballage

1. Desserrez ou coupez les quatre courroies fixant le dessus de la boîte.
2. Soulevez le dessus de la boîte coulissante à l'écart du plateau en carton et du contenu, puis tournez-le à l'envers et placez-le sur le plancher.
3. Placez les courroies et tout le matériel d'emballage autour du lave-vaisselle à l'intérieur du dessus de la boîte, en les inspectant pour déceler tout signe de dommage.
4. Localisez et mettez de côté la plaque de protection du lave-vaisselle. La plaque de protection est fixée au matériel d'emballage du lave-vaisselle.



Plaque de protection

5. Soulevez le lave-vaisselle du plateau en carton, puis placez-le sur le plancher. Placez le plateau dans le dessus de la boîte.
6. Retirez le sac qui protège le lave-vaisselle pendant l'expédition.

ATTENTION SOULEVEZ TOUJOURS le lave-vaisselle pour LE DÉPLACER. Le glisser sur des surfaces rugueuses peut endommager les pattes du lave-vaisselle et glisser les pattes sur les surfaces finies peut, dans certains cas, endommager ce fini ou la surface sous-jacente.

7. Il y a également de l'emballage à l'intérieur du lave-vaisselle que vous pouvez laisser en place jusqu'à ce que le lave-vaisselle soit installé.
8. Ne retirez en aucune circonstance le rembourrage insonorisant qui entoure l'extérieur de la cuve du lave-vaisselle.

Inspection

Mécanique

1. Vérifiez l'assemblage de la base en plastique pour vous assurer qu'il est intact.
2. Vérifiez les pieds du lave-vaisselle pour vous assurer qu'ils sont en place et peuvent être ajustés pour que vous puissiez mettre à niveau et fixer le lave-vaisselle.
3. Vérifiez que tous les composants visibles dans le bas du lave-vaisselle sont intacts et fixés.
4. Vérifiez le verrou de la porte, le fonctionnement des charnières et confirmez que la porte est correctement fixée au lave-vaisselle.

Plomberie

1. Vérifiez le raccord d'eau chaude sur le côté avant gauche de la base du lave-vaisselle. La plaque de fixation doit être fixée à l'avant de la base, les filetages à l'intérieur du raccord doivent être lisses et brillants et la zone doit être exempte de tout débris.
2. Vérifiez la cale de plastique et les boîtiers de capteurs pour vous assurer que ces assemblages ne sont pas fissurés et que tous les raccords sont solides.
3. Vérifiez le tuyau d'évacuation pour la présence d'un trou ou une déformation qui pourrait laisser couler de l'eau pendant l'évacuation.

Système électrique

1. Confirmez que le couvercle de la boîte de jonction est fixé à la boîte de jonction sur le côté avant droit de la base du lave-vaisselle.
2. Confirmez que la boîte électrique n'a pas été endommagée pendant l'expédition et qu'elle est fixée à la base du lave-vaisselle.

Apparence

1. Confirmez qu'il n'y a pas de bosselures ou d'égratignures sur le devant du lave-vaisselle.
2. Vérifiez les bordures des portes pour la présence de toute rugosité ou fissure.
3. Vérifiez le tableau de commande pour vous assurer qu'il est net et exempt d'égratignures et que tous les indicateurs lumineux sont à leurs emplacements correspondants.

Pièces

1. Confirmez que vous avez toutes les pièces répertoriées à l'étape 1.

Installation du lave-vaisselle

ÉTAPE 6 PRÉPARATION DU LAVE-VAISSELLE

1. Assurez-vous que le disjoncteur et le robinet d'alimentation en eau sont fermés avant d'effectuer les étapes suivantes.

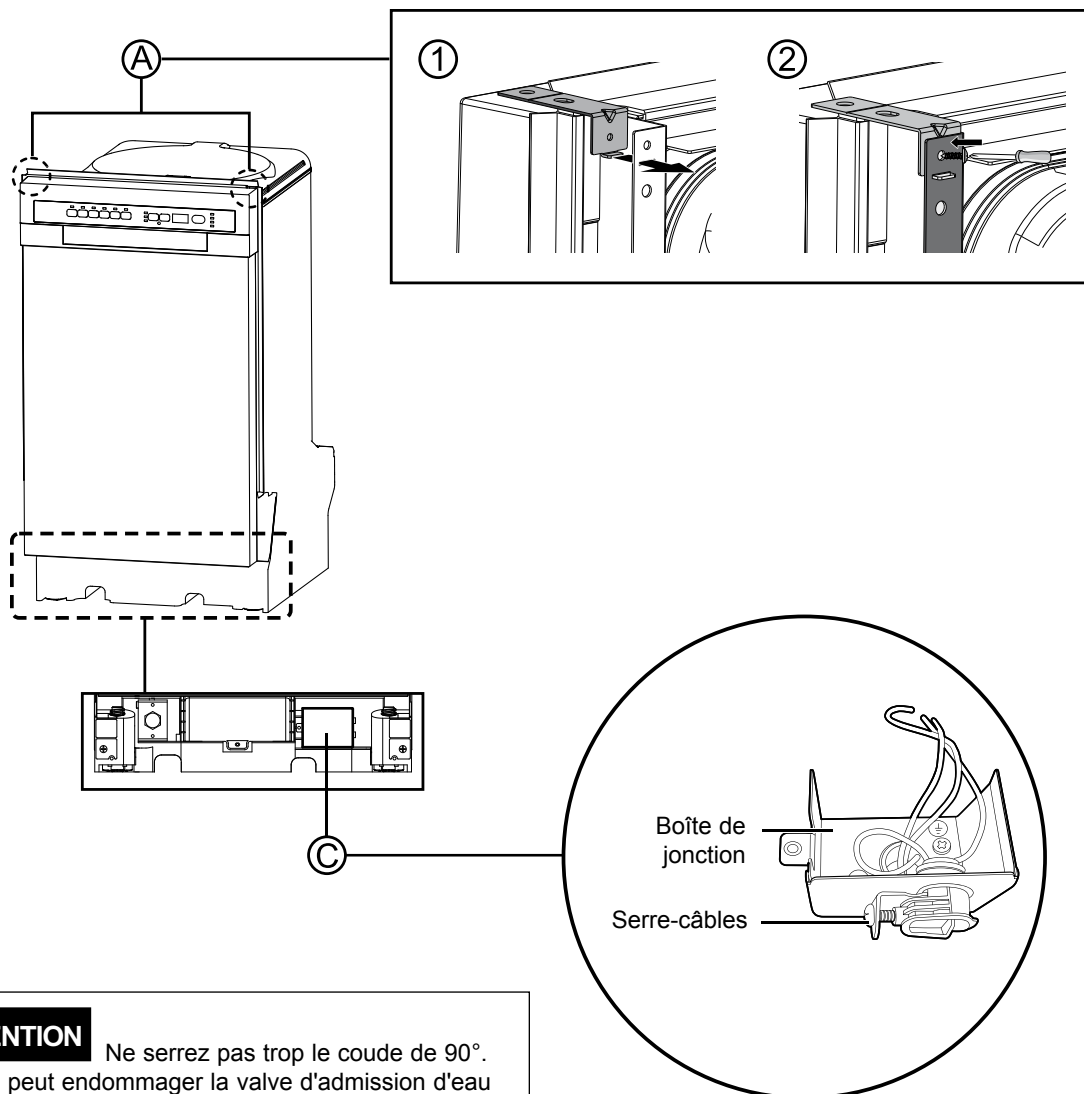
⚠ ATTENTION

Avant de déplacer ou de déposer le lave-vaisselle pour l'installation, assurez-vous d'ajuster la hauteur des pieds pour qu'ils puissent être aussi courts que possible. Ceci empêche le bris des pieds. Lorsque le lave-vaisselle est en place, mettez le lave-vaisselle de niveau en ajustant la hauteur des pieds.

2. Assurez-vous qu'il n'y a aucune déviation et que le tuyau n'est pas plié à un angle aigu qui pourrait contraindre le débit d'eau.

3. Retirez le couvercle de la boîte de jonction dans le coin inférieur droit du lave-vaisselle, en utilisant un tournevis, puis installez le serre-câbles (Figure 4 - C). Veillez à garder le couvercle de la boîte de jonction retiré. Il est utilisé à l'étape 11, Connexions de câblage.

4. Si le comptoir est fabriqué de bois ou d'un matériau qui n'est pas endommagé par le perçage, fixez les deux brides d'installation qui ont été fournies avec le lave-vaisselle, en utilisant les vis fournies (Figure 4-A). Elles seront utilisées à l'étape 9, Fixer le lave-vaisselle.



⚠ ATTENTION

Ne serrez pas trop le coude de 90°. Sinon, cela peut endommager la valve d'admission d'eau et entraîner une fuite d'eau.

Figure 4

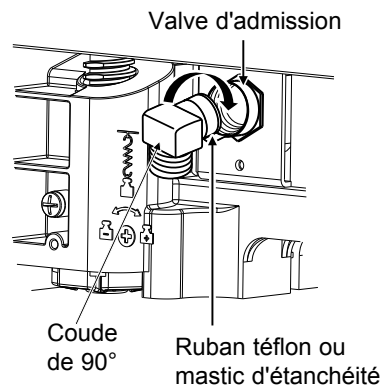
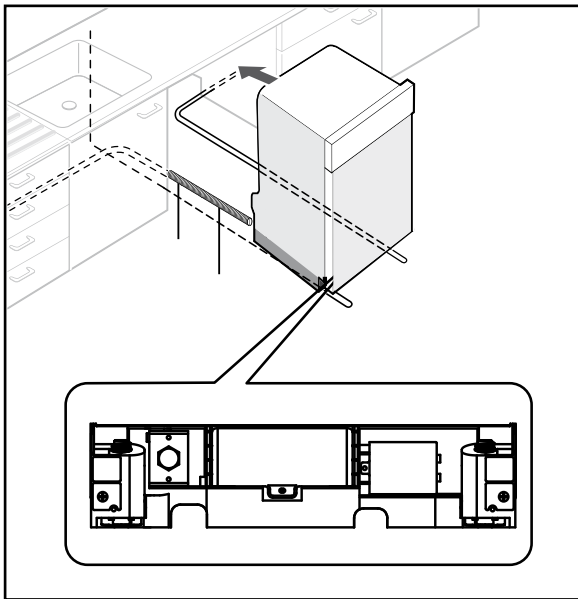
Installation du lave-vaisselle

ÉTAPE 7 PLACER LE LAVE-VAISSELLE ET RACCORDER LA CONDUITE D'ALIMENTATION EN EAU CHAUDE

1. Après avoir mesuré la hauteur de l'ouverture de l'armoire, du comptoir au plancher, ajustez les trois pieds de mise à niveau dans le bas du lave-vaisselle. (Consultez l'étape 8, Mise à niveau du lave-vaisselle).
2. Trouvez la conduite d'alimentation en eau chaude et le câble d'alimentation.
3. Placez le lave-vaisselle pour que le câble d'alimentation soit dans la bonne voie de la base du lave-vaisselle. Utilisez un ruban adhésif standard ou des colliers de serrage pour fixer le câble électrique à ses voies adjacentes dans la base. Ceci peut empêcher le câble électrique d'être pincé en poussant le lave-vaisselle en place.
4. Tirez sur le tuyau d'évacuation dans l'ouverture de la paroi latérale de l'armoire sous l'évier. Gardez-le exempt de déviations.
5. Assurez-vous que la conduite d'alimentation en eau chaude n'est pas tordue, puis connectez la conduite d'alimentation en eau chaude au joint du coude.
6. Glissez soigneusement le lave-vaisselle dans l'espace d'installation. Si possible, tirez doucement les longueurs excédentaires de la conduite d'alimentation en eau, du tuyau d'évacuation ou du câble d'alimentation lorsque vous déplacez le lave-vaisselle. Demandez à une deuxième ou troisième personne de vous aider, le cas échéant.

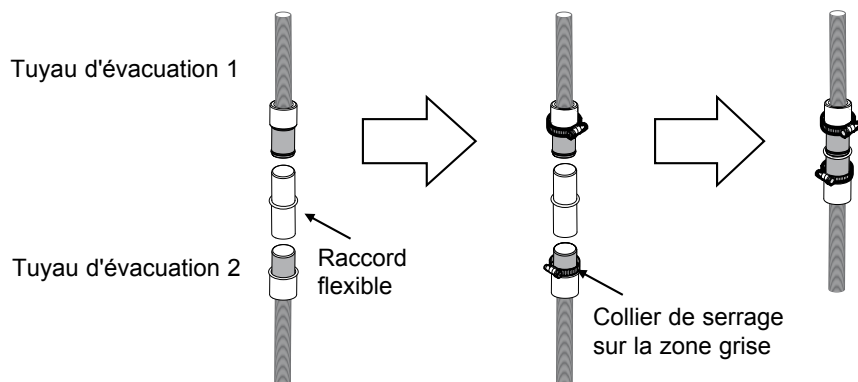
ATTENTION

Ne placez pas le lave-vaisselle sur la conduite d'alimentation en eau, le tuyau d'évacuation ou un câble d'alimentation. Veillez également à ce qu'ils ne soient pas pliés ou tordus.



ATTENTION

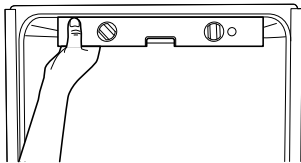
Ne serrez pas trop le coude de 90°. Sinon, cela peut endommager la valve d'admission d'eau et entraîner une fuite d'eau.



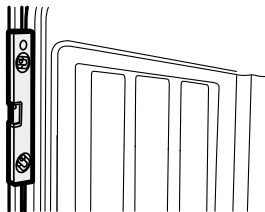
Installation du lave-vaisselle

ÉTAPE 8 MISE À NIVEAU DU LAVE-VAISSELLE

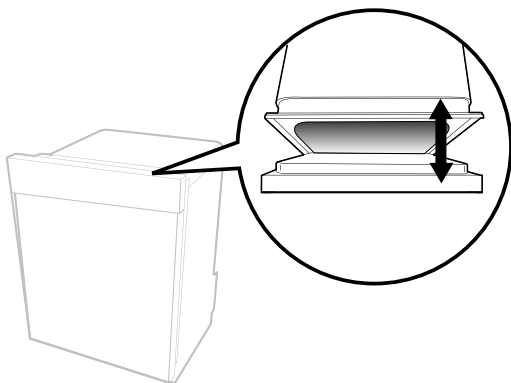
1. Ouvrez la porte et placez le niveau contre le haut de la cuve à l'intérieur et vérifiez si le lave-vaisselle est de niveau. S'il n'est pas de niveau, faites pivoter les pieds de mise à niveau dans le bas avant du lave-vaisselle, jusqu'à ce que le lave-vaisselle soit de niveau. Pour des instructions sur l'ajustement de la hauteur des pieds avant, consultez la première note ci-dessous.



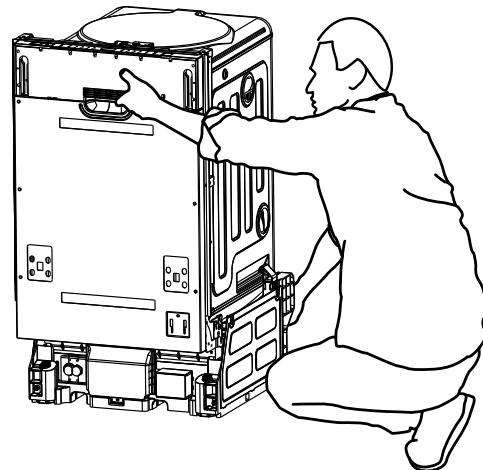
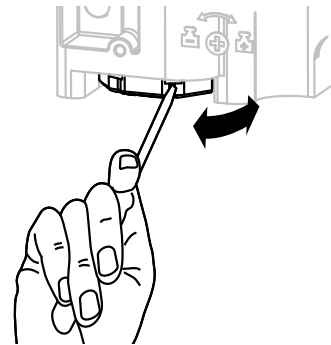
2. Utilisez le niveau pour vérifier si le lave-vaisselle est de niveau de l'avant à l'arrière, comme illustré à la figure à droite. Si le lave-vaisselle n'est pas de niveau de l'avant à l'arrière, ajustez la hauteur des pieds arrière, jusqu'à ce que le lave-vaisselle soit de niveau. Pour des instructions sur l'ajustement de la hauteur des pieds arrière, consultez la deuxième note ci-dessous.



3. Ouvrez la porte du lave-vaisselle et vérifiez si les dégagements de la cuve et de la porte sont adéquats. Sinon, faites pivoter les pieds de mise à niveau dans le bas avant du lave-vaisselle. Vous pouvez également vérifier ceci en plaçant un niveau contre une surface verticale avant intérieure de la cuve.



Si les pieds de mise à niveau sont tournés vers la droite (antihoraire), ils sont desserrés et l'avant du lave-vaisselle est surélevé. Et la hauteur maximale à élever est d'environ 50 mm. Si les pieds de mise à niveau sont tournés vers la gauche (horaire), ils sont desserrés et l'avant du lave-vaisselle est abaissé.



⚠ ATTENTION

Avant de déplacer le lave-vaisselle pour l'installation, assurez-vous d'ajuster la hauteur des pieds pour qu'ils puissent être aussi courts que possible. Ceci empêche le bris des pieds. Lorsque le lave-vaisselle est en place, mettez le lave-vaisselle de niveau en ajustant la hauteur des pieds.

Lorsque vous vous apprêtez à déplacer le lave-vaisselle pour l'installation, vous devriez placer votre main sous la base. Ceci empêche les blessures aux mains.

Installation du lave-vaisselle

ÉTAPE 9 FIXER LE LAVE-VAISSELLE

Vous devez fixer le lave-vaisselle au comptoir ou aux parois latérales de l'armoire pour une stabilité et une sécurité supplémentaires

1. Si le comptoir est fabriqué de bois ou d'un matériau qui ne sera pas endommagé par le perçage, suivez les instructions 2-1 ci-dessous.

Si le comptoir est fabriqué de granit, de marbre ou de tout autre matériau qui peut être endommagé par le perçage, suivez les instructions 2-2 ci-dessous.

- 2-1. Placez une grande serviette jusqu'au bas du lave-vaisselle pour empêcher les copeaux de bois ou une vis échappée de tomber dans le lave-vaisselle.

Percez soigneusement des trous dans le bas du comptoir, en passant la mèche à travers un trou de vis dans chaque bride, puis en perçant dans le bas du comptoir en dessous.

Assurez-vous que les trous que vous percez sont plus petits que le diamètre de la vis.

Placez d'abord la bride d'installation dans la fente de la face latérale et serrez au lave-vaisselle avec la vis ST3.5*9. Insérez ensuite les vis fournies dans les brides, puis serrez finalement pour fixer le lave-vaisselle au comptoir.

- 2-2. Placez une grande serviette jusqu'au bas du lave-vaisselle pour empêcher les copeaux de bois ou une vis échappée de tomber dans le lave-vaisselle. Retirez le capuchon d'ajustement avec la pointe d'un tournevis.

Les capuchons se trouvent juste à l'intérieur de la cuve, près du centre de la cuve sur les deux côtés (Figure 6 ci-dessous).

Percez un trou dans les parois latérales de l'armoire, sur les deux côtés, en passant soigneusement une mèche à travers les trous de vis exposés par les capuchons d'espacement retirés, puis en perçant dans la paroi latérale de l'armoire en dessous.

Assurez-vous que les trous que vous percez sont plus petits que le diamètre de la vis.

Assurez-vous également que la mèche ne heurte pas les côtés des trous du capuchon d'espacement. Placez d'abord la bride d'installation dans la fente de la face latérale et serrez au lave-vaisselle avec la vis ST3.5*9. Insérez ensuite les vis fournies dans les trous, puis serrez finalement pour fixer le lave-vaisselle à l'armoire. Assurez-vous que la cuve n'est pas déformée par la pression des vis.

Si la cuve est déformée, desserrez légèrement les vis. Remplacez les capuchons d'espacement.

- Les vis ou le capuchon d'espacement de la cuve peuvent tomber dans le lave-vaisselle pendant que vous travaillez avec la porte ouverte. Couvrez l'intérieur du lave-vaisselle avec une serviette pour empêcher toute vis de tomber dans le lave-vaisselle. Si un objet étranger, comme une vis, tombe dans le lave-vaisselle, il peut entraîner un bruit, un fonctionnement anormal, des dommages ou un mauvais fonctionnement.
- Utilisez un tournevis aimanté pour éviter que les vis ne tombent dans le lave-vaisselle.
- Si un objet étranger, comme une vis, tombe dans le lave-vaisselle et que vous ne pouvez la retirer, le lave-vaisselle doit être désassemblé. Contactez un technicien qualifié à cette fin.

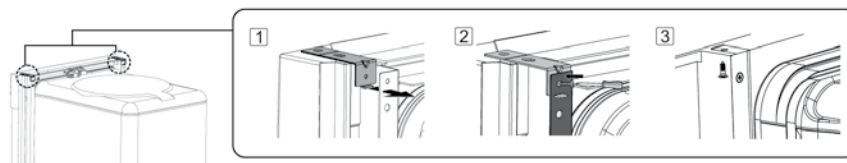


Figure 5

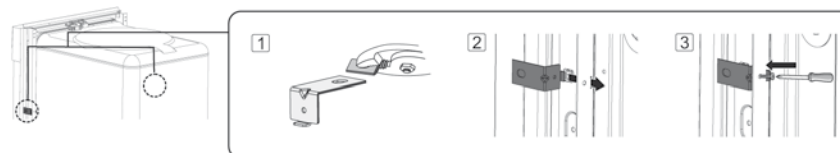
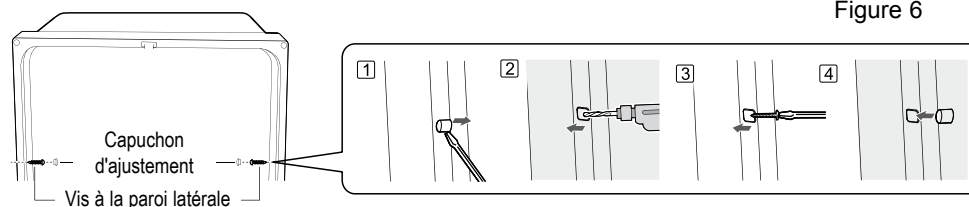


Figure 6



Installation du lave-vaisselle

ÉTAPE 10 RACCORDER LE TUYAU D'ÉVACUATION

1. Vérifiez les pièces sur l'évier auxquelles le tuyau d'évacuation sera raccordé.
2. Il existe plusieurs manières d'insérer le tuyau d'évacuation dans le raccord de tuyau d'évacuation de l'évier, comme illustré dans les figures suivantes. Vous devez raccorder le tuyau d'évacuation conformément aux règlements d'installation de tuyaux d'eau en vigueur dans votre région.

Cas 1. Sans élimination

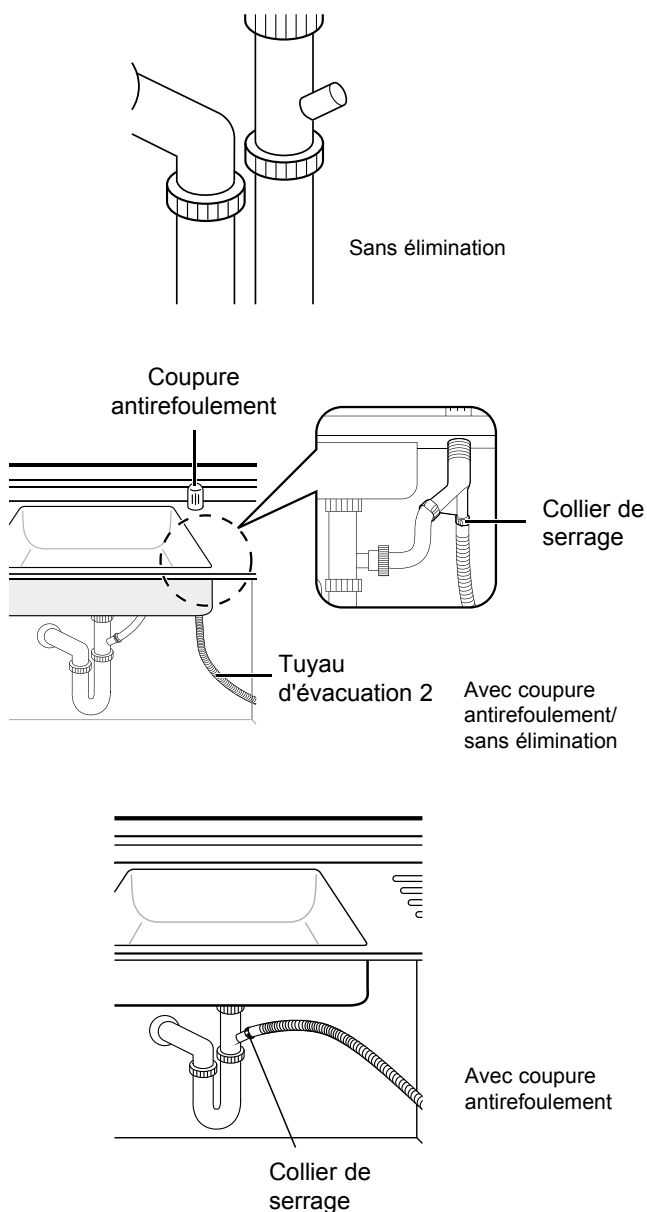
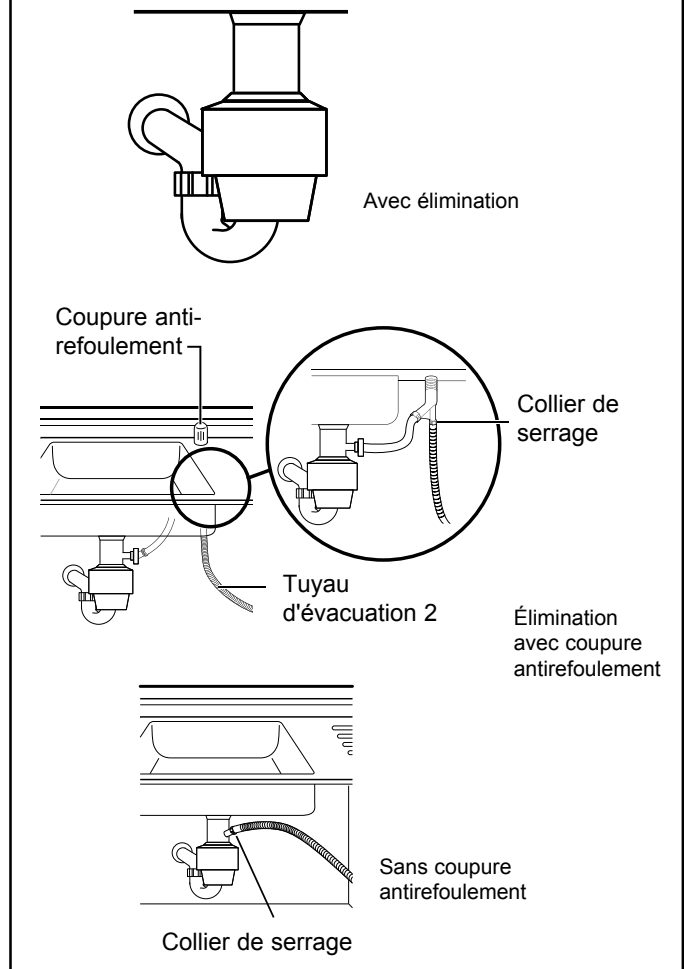


Figure 7

Cas 2. Avec élimination



3. Vérifiez la dimension du raccord de tuyau d'évacuation de l'évier (21 mm - comme illustré à la Figure 8 ci-dessous). Si l'extrémité du tuyau d'évacuation ne s'ajuste pas dans le raccord de tuyau d'évacuation de l'évier, utilisez un adaptateur qui est vendu dans une quincaillerie ou une plomberie.
4. Glissez une bride de serrage sur l'extrémité du tuyau d'évacuation. Raccordez le tuyau d'évacuation au raccord d'évier, glissez la bride de serrage à l'extrémité du tuyau, puis serrez la bride de serrage.
Remarque : Vous devez utiliser une bride de serrage. Ignorer cette consigne peut entraîner des fuites d'eau.
5. S'il n'existe pas de coupure antirefoulement, assurez-vous de suspendre le centre du puits du tuyau d'évacuation bien au-dessus de la base de l'armoire sous l'évier pour empêcher un reflux (consultez la Figure 10 à la page suivante).

Installation du lave-vaisselle

ÉTAPE 10 RACCORDER LE TUYAU D'ÉVACUATION (suite)

- En perçant un trou pour le tuyau d'évacuation sur la paroi latérale de l'armoire, prenez garde de ne pas endommager le tuyau d'évacuation avec les rebords tranchants du trou. Sur les murs en bois, utilisez du papier abrasif pour adoucir les rebords. Sur les murs métalliques, utiliser du ruban isolant ou du ruban à conduit pour couvrir les rebords tranchants autour du trou.
- Prenez garde de ne pas endommager le tuyau d'évacuation en installant le lave-vaisselle sur le plancher, au mur ou sur l'armoire. Pour empêcher les fuites ou les problèmes de drainage, veillez à ne pas endommager, plier ou tourner le tuyau d'évacuation.
- Ne coupez pas la zone ridée du tuyau d'évacuation pour qu'elle s'ajuste à la dimension. Lors de la pose du tuyau d'évacuation, assurez-vous qu'il n'entre pas en contact avec les rebords tranchants de l'armoire ou le dessous de l'évier.

ATTENTION

- En coupant l'extrémité du tuyau d'évacuation, prenez garde, car il existe un risque de blessures corporelles. Nettoyez autour du raccord du drain d'évier pour qu'il n'endommage pas le tuyau. Vérifiez la présence d'objets étrangers dans le tuyau d'évacuation et retirez-les.
- Lors de la pose du tuyau d'évacuation, assurez-vous que le tuyau n'est pas coupé, déchiré ou brisé par aucun rebord tranchant du plancher, du produit lui-même ou de l'armoire. Un tuyau d'évacuation endommagé peut entraîner une fuite.

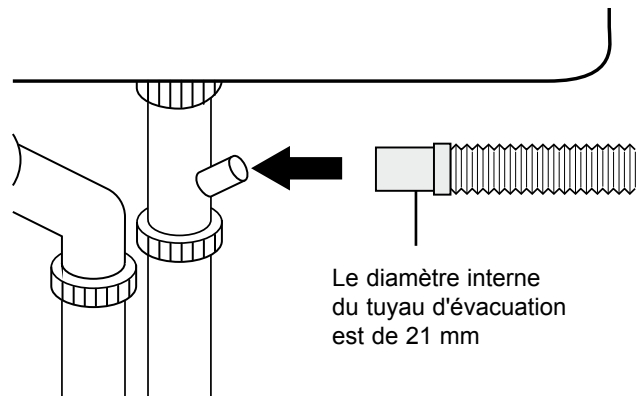


Figure 8

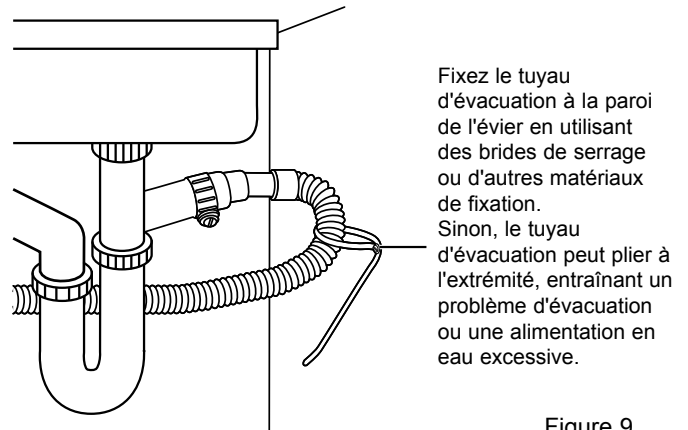


Figure 9

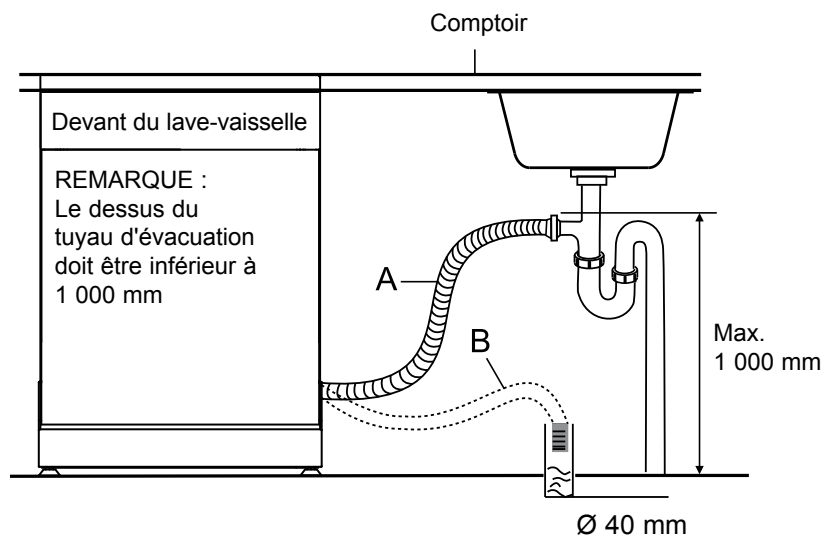


Figure 10

Installation du lave-vaisselle

ÉTAPE 11 CONNEXIONS DE CÂBLAGE

1. Avant de raccorder le câble d'alimentation au lave-vaisselle, assurez-vous que le disjoncteur est éteint.
2. Dans la boîte de jonction située à l'avant en bas à droite du lave-vaisselle, trouvez les trois câbles d'alimentation du lave-vaisselle, y compris le fil de mise à la terre.
3. Passez le câble d'alimentation à travers un serre-câbles, puis dans la boîte de jonction (Figure 11).
4. Raccordez le fil noir du lave-vaisselle au fil noir du câble d'alimentation, en insérant les deux dans un capuchon de connexion, puis en tournant le capuchon de connexion, comme illustré à la Figure 12.

Raccordez le fil blanc au fil blanc et le fil vert au fil vert de la même manière.

5. Revérifiez chaque fil pour vous assurer qu'il est raccordé correctement et solidement. Chaque fil coloré doit être raccordé au fil correspondant de la même couleur. Le blanc raccordé au blanc, le noir au noir et le vert au vert.
6. Remplacez le couvercle de la boîte de jonction sur le lave-vaisselle.

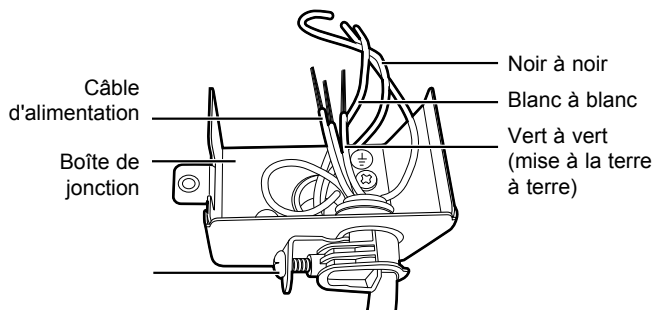


Figure 11

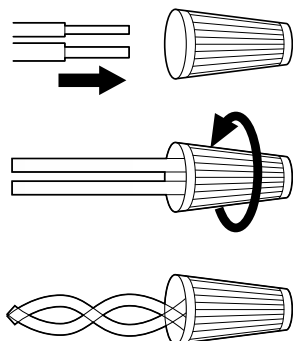


Figure 12

AVERTISSEMENT Risque de décharge électrique

Pour éviter des chocs électriques, ne travaillez pas sur un circuit sous tension. Dans le cas contraire, vous vous exposeriez à des blessures graves, voire mortelles. Seuls les électriciens qualifiés doivent effectuer des travaux électriques. Ne tentez aucun travail sur le circuit d'alimentation électrique du lave-vaisselle tant que vous n'êtes pas certain que le circuit est hors tension.

AVERTISSEMENT Risque d'incendie. Pour éviter tout risque d'incendie, assurez-vous que le travail électrique est installé correctement. Seuls les électriciens qualifiés doivent effectuer des travaux électriques.

Vérifiez de nouveau chaque fil pour vous assurer qu'il est raccordé correctement et solidement.

Chaque fil coloré doit être raccordé au fil correspondant de la même couleur.

Installation du lave-vaisselle

ÉTAPE 12 TERMINER L'INSTALLATION

1. Ouvrez la porte et retirez en totalité la mousse, l'emballage de papier et les pièces inutiles.
2. Activez le disjoncteur que vous avez éteint avant de commencer l'installation.
3. Ouvrez la valve d'alimentation en eau pour alimenter le lave-vaisselle en eau.
4. Mettez le lave-vaisselle en marche, puis sélectionnez un cycle et faites-le fonctionner.

Vérifiez si l'alimentation se fait correctement et s'il y a présence de fuites d'eau pendant que le lave-vaisselle fonctionne. Si aucune erreur ne se produit pendant le fonctionnement, fermez le lave-vaisselle, puis passez à l'étape 5 ci-contre.

Si une erreur s'est produite, fermez le lave-vaisselle, fermez la valve d'alimentation en eau, puis consultez le Manuel de l'utilisateur ou contactez le centre de service local.

ATTENTION

Assurez-vous de vérifier qu'il n'y a pas de fuites d'eau aux deux extrémités de la conduite d'alimentation en eau et du raccord du tuyau d'évacuation.

5. Confirmez que le joint d'étanchéité de la plaque de protection est en place dans le bas de la plaque de protection. Pour installer la plaque de protection avec des vis ST3.9*13, consultez la figure ci-dessous.

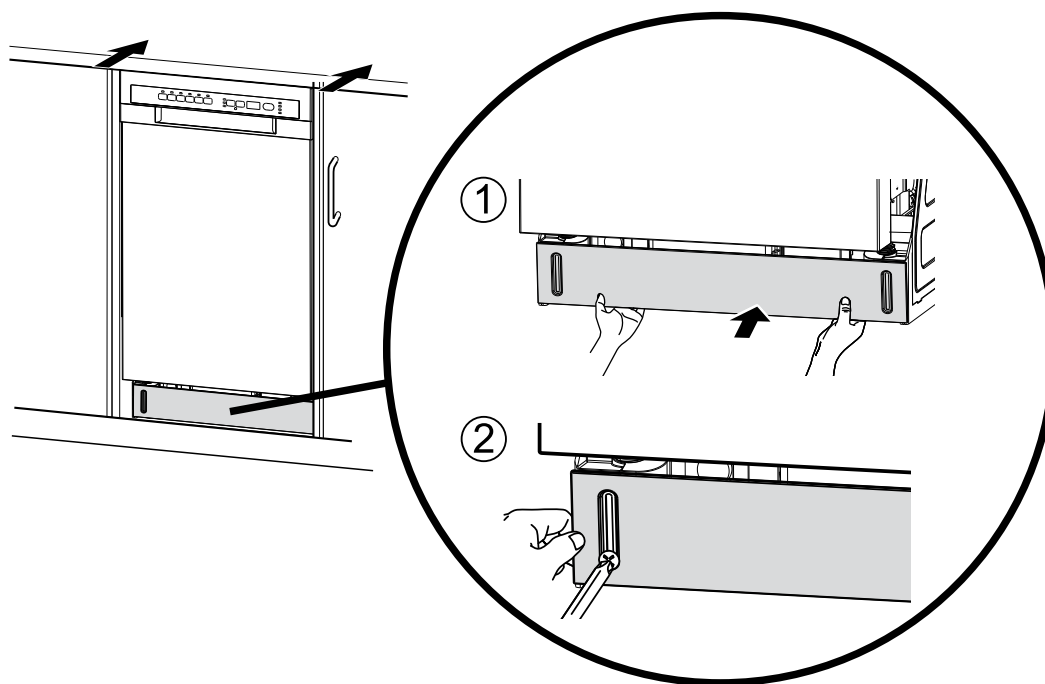


Figure 13

Installation du lave-vaisselle

ÉTAPE 12 TERMINER L'INSTALLATION PANNEAU DE COMMANDE PRÊT UNIQUEMENT

1. Ouvrez la porte et retirez en totalité la mousse, l'emballage de papier et les pièces inutiles.
2. Activez le disjoncteur que vous avez éteint avant de commencer l'installation.
3. Ouvrez la valve d'alimentation en eau pour alimenter le lave-vaisselle en eau.
4. Mettez le lave-vaisselle en marche, puis sélectionnez un cycle et faites-le fonctionner.
6. Installez la porte décorative à la porte extérieure du lave-vaisselle.
 - 1) Installez le crochet et les brides sur la porte décorative, consultez la Figure 15.
 - 2) Placez le crochet sur la fente de la porte extérieure, pour le positionnement, consultez la Figure 16.
 - 3) Fixez la porte décorative sur la porte extérieure au moyen des vis et des boulons, consultez la figure 17.

Vérifiez si l'alimentation se fait correctement et s'il y a présence de fuites d'eau pendant que le lave-vaisselle fonctionne. Si aucune erreur ne se produit pendant le fonctionnement, fermez le lave-vaisselle, puis passez aux étapes 5, 6 et 7 ci-dessous.

Si une erreur s'est produite, fermez le lave-vaisselle, fermez la valve d'alimentation en eau, puis consultez le Manuel de l'utilisateur ou contactez le centre de service local.

ATTENTION Assurez-vous de vérifier la présence de fuites d'eau aux deux extrémités de la conduite d'alimentation en eau et du raccord du tuyau d'évacuation.

5. Confirmez que le joint d'étanchéité de la plaque de protection est en place dans le bas de la plaque de protection. Pour installer la plaque de protection avec des vis ST3.9*13, consultez la Figure 14 ci-dessous.

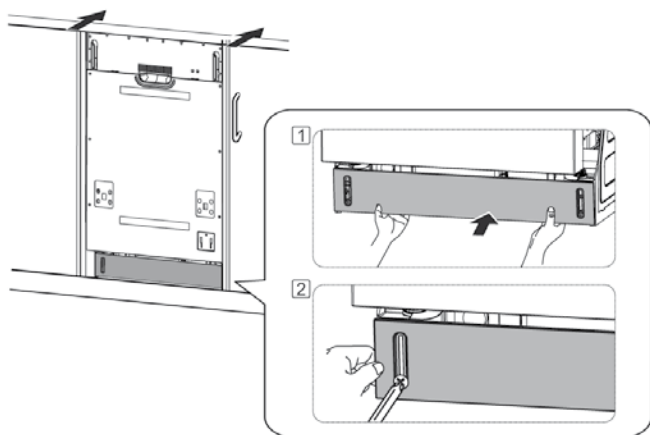


Figure 14

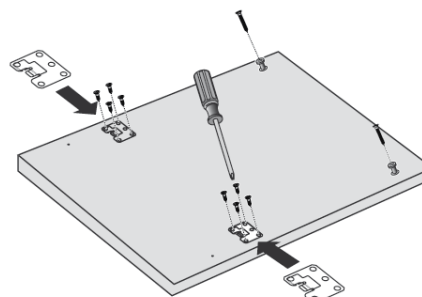


Figure 15

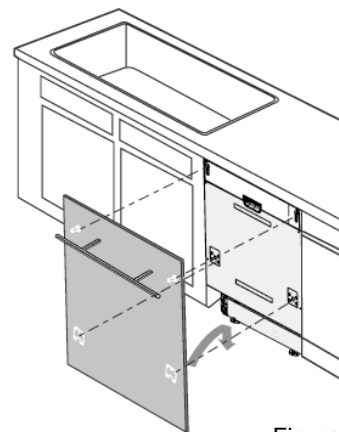


Figure 16

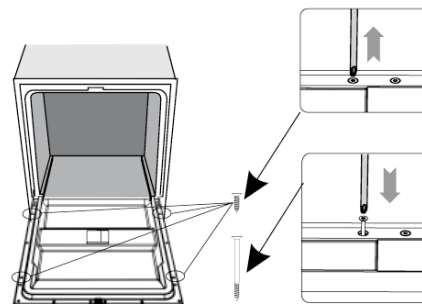


Figure 17

Installation du lave-vaisselle

ÉTAPE 12 TERMINER L'INSTALLATION (suite)

7. Ajustement de tension du ressort de porte.

Les ressorts de porte sont configurés en usine à la tension appropriée pour la porte extérieure. Si la porte décorative est installée, vous devrez ajuster la tension du ressort de porte.

Faites pivoter la vis de réglage pour que l'ajusteur tende ou relâche le câble d'acier, consultez la Figure 18.

La tension du ressort de porte est appropriée lorsque la porte demeure à l'horizontale en position pleinement ouverte, mais se soulève pour se fermer avec un soulèvement léger des doigts.

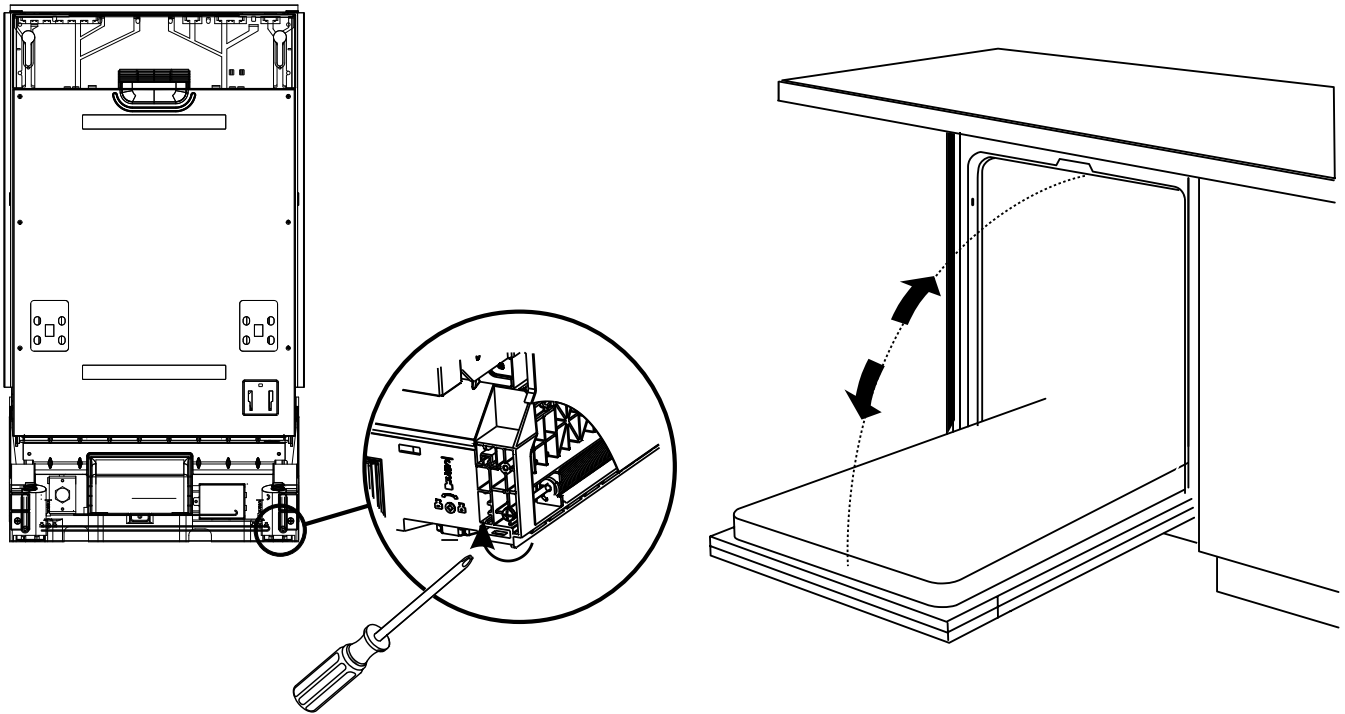


Figure 18

Spécifications

L'installateur ou vous devez respecter attentivement ces instructions afin que le nouveau lave-vaisselle fonctionne correctement et que vous ne soyez pas exposés à des risques de blessures en lavant la vaisselle.

Modèle	Modèles de 18 po (45,7 cm)	Modèles de 24 po (61 cm)
Alimentation électrique	120 V; 60 Hz	120 V; 60 Hz
Pression d'eau	0,04 - 1 MPa	0,04 - 1 MPa
Dimensions (largeur x profondeur x hauteur)	450 mm x 580 mm x 825 mm	600 mm x 580 mm x 825 mm
Température nominale de la valve d'admission d'eau	49 °C (120 °F)	49 °C (120 °F)

Notes

REMARQUE : L'amélioration des produits est une préoccupation constante chez GE.
Par conséquent, les matériaux, l'apparence et les spécifications peuvent être
modifiés sans préavis.



GE APPLIANCES