



DISHWASHERS

SAFETY INFORMATION..... 4

USING THE DISHWASHER

Getting Started..... 6

Loading12

Dispensers15

CARE AND CLEANING.....16

TROUBLESHOOTING TIPS.....17

WARRANTY.....21

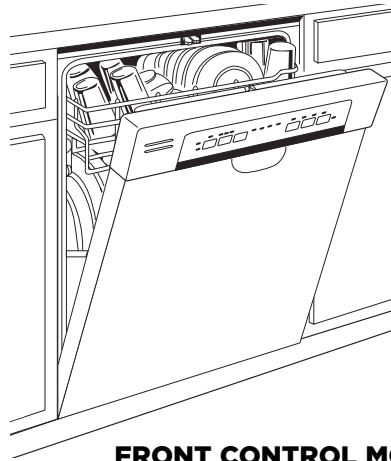
CONSUMER SUPPORT 22

OWNER'S MANUAL

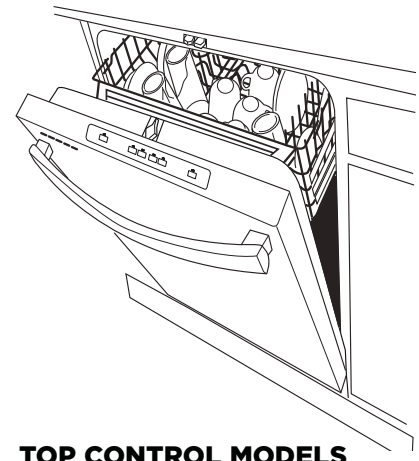
- GBF 180 Series
- GBF 412-532 Series
- MBF 422 Series
- GBT 412 Series
- GBT 632 Series
- GBP 420 Series
- GBP 534 Series

Includes Moffat Series and GE® Series products

ENGLISH/FRANÇAIS



FRONT CONTROL MODELS



TOP CONTROL MODELS

Write the model and serial numbers here:

Model # _____

Serial # _____

You can find them on a label on the tub wall just inside the door.

THANK YOU FOR MAKING GE APPLIANCES A PART OF YOUR HOME.

Whether you grew up with GE Appliances, or this is your first, we're happy to have you in the family.

We take pride in the craftsmanship, innovation and design that goes into every GE Appliances product, and we think you will too. Among other things, registration of your appliance ensures that we can deliver important product information and warranty details when you need them.

Register your GE appliance now online. Helpful websites and phone numbers are available in the Consumer Support section of this Owner's Manual. You may also mail in the pre-printed registration card included in the packing material.



GE APPLIANCES

Notes

WELCOME

IMPORTANT SAFETY INFORMATION

READ ALL INSTRUCTIONS BEFORE USING THE APPLIANCE

⚠ WARNING For your safety, the information in this manual must be followed to minimize the risk of fire, explosion, electric shock, and to prevent property damage, personal injury, or death.

⚠ WARNING PROPER INSTALLATION AND MAINTENANCE

This dishwasher must be properly installed and located in accordance with the Installation Instructions before it is used. If you did not receive an Installation Instructions sheet with your dishwasher, you can receive one by visiting our Website at GEAppliances.ca.

- Connect the dishwasher/appliance to a grounded metal, permanent wiring system; or run an equipment-grounding conductor with the circuit conductors and connect to the equipment-grounding terminal or lead of the appliance.
 - Improper connection of the equipment-grounding conductor can result in a risk of electric shock. Check with a qualified electrician or service representative if you are in doubt whether the appliance is properly grounded.
 - Dispose of discarded appliances and shipping or packing material properly.
 - Do not attempt to repair or replace any part of your dishwasher unless it is specifically recommended in this manual. All other servicing should be referred to a qualified technician.
 - Use only cord kit WG04F10796 or hard-wire to building electrical. Failure to follow this instruction, could result in risk of fire and personal injury.
 - To minimize the possibility of electric shock, disconnect this appliance from the power supply before attempting any maintenance.
- NOTE:** Turning the dishwasher off does not disconnect the appliance from the power supply. We recommend having a qualified technician service your appliance.

⚠ WARNING WHEN USING YOUR DISHWASHER, FOLLOW BASIC PRECAUTIONS, INCLUDING THE FOLLOWING:

- Use this appliance only for its intended purpose as described in this Owner's Manual.
- Use only detergents or wetting agents recommended for use in a dishwasher and keep them out of reach of children. Using a detergent that is not specifically designed for dishwashers will cause the dishwasher to fill with suds.
- Locate sharp items so that they are not likely to damage the door seal.
- Load sharp knives with the handles up to reduce the risk of cut-type injuries.
- Do not wash plastic items unless marked dishwasher safe or the equivalent. For plastic items not so marked, check the manufacturer's recommendations.
- Do not touch the heating element during or immediately after use.
- Do not operate your dishwasher unless all enclosure panels are properly in place.
- Do not tamper with controls.
- Do not abuse, sit on or stand on the door or dish rack of the dishwasher.
- To reduce the risk of injury, do not allow children to play with, on or inside this appliance at any time.
- Do not store or use combustible materials including gasoline or other flammable liquids or vapors in the vicinity of this or any other appliance.
- Small parts, such as rack clips and filter retaining posts, can be a choke hazard to small children if removed from the dishwasher. Keep out of reach of small children.

READ AND SAVE THESE INSTRUCTIONS

IMPORTANT SAFETY INFORMATION

READ ALL INSTRUCTIONS BEFORE USING THE APPLIANCE

⚠ WARNING WATER HEATER SAFETY

Under certain conditions, hydrogen gas may be produced in a water heater that has not been used for two or more weeks. HYDROGEN GAS IS EXPLOSIVE.

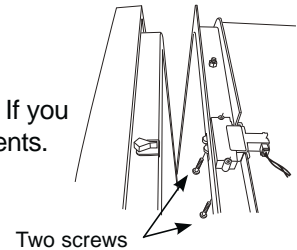
If the hot water has not been used for two or more weeks, prevent the possibility of damage or injury by turning on all hot water faucets and allowing them to run for several minutes. Do this before using any electrical appliance connected to the hot water system. This simple procedure will allow any built-up hydrogen gas to escape. Since the gas is flammable, do not smoke, use an open flame, or use the appliance during this process.

⚠ WARNING RISK OF CHILD ENTRAPMENT

PROPER DISPOSAL OF THE DISHWASHER

Junked or abandoned dishwashers are dangerous...even if they will sit for "just a few days." If you are getting rid of your dishwasher, please follow the instructions below to help prevent accidents.

- Do not allow children to play with, on, or inside this or any discarded appliance.
- Take off the door of the washing compartment or remove the latch by removing the two screws from the latch receiver inside the tub (as shown).



⚠ CAUTION TO PREVENT MINOR INJURY AND PROPERTY DAMAGE

- During or after wash cycle, contents may be hot to the touch. Use care before handling.
- Close supervision is necessary if this appliance is used by or near children. Do not allow children to play around the dishwasher when closing the door, closing the upper rack, or while vertically adjusting the upper rack due to the possibility of small fingers being pinched.
- Non-Dishware Items: Do not wash items such as electronic air cleaner filters, furnace filters and paint brushes in your dishwasher. Damage to the dishwasher and discoloration or staining of the dishwasher may result.
- Load light-weight, plastic items so they do not become dislodged and drop to the bottom of the dishwasher—they might come into contact with the heating element and be damaged.

⚠ CAUTION ELECTRICAL REQUIREMENTS

- This appliance must be supplied with 120V, 60 Hz, and connected to an individual, properly grounded branch circuit, protected by a 15 or 20 amp circuit breaker or time-delay fuse.
- If the electric supply provided does not meet the above specifications, it is recommended that a licensed electrician install an approved outlet.
- Your dishwasher circuit should not be used for any other appliance while the dishwasher is in operation as the dishwasher requires the full capacity of the circuit.

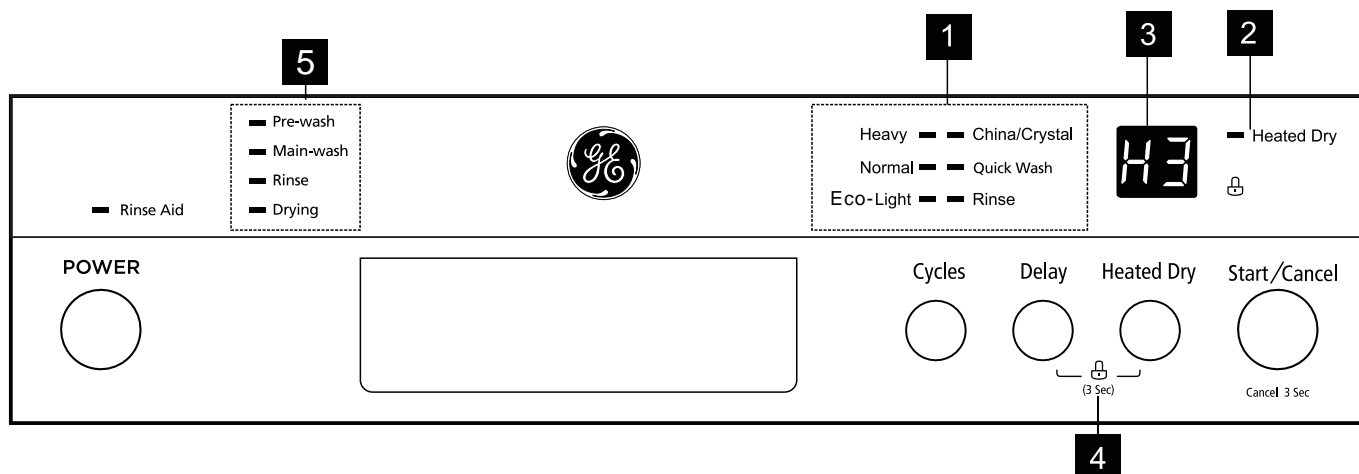
⚠ NOTICE

- If your dishwasher is connected to a wall switch, ensure that the switch is on prior to use.
- If you choose to turn the wall switch off between wash cycles, allow 5-10 seconds after turning the switch on before touching Start to allow the control to initialize.
- Use only powder, **Finish® Quantum® Automatic Dishwashing Detergent**, liquid detergents or rinse agents recommended for use in a dishwasher and keep them out of the reach of children. **Finish® Quantum® Automatic Dishwashing Detergent**, and **Finish® Jet-Dry® Rinse Aid** rinse agents have been approved for use in all GE Appliances dishwashers.

READ AND SAVE THESE INSTRUCTIONS

Getting started

CONTROL PANEL - Model GBF180 Series



1 Wash Cycle Selections

Heavy. This cycle is for hard-to-clean, heavily soiled dishes, pots, pans, and dishes.

Normal. This is standard program. It is for regularly soiled dinner dishes or silverware.

Light. For lightly soiled loads, such as glasses, crystal and fine china.

Quick-Wash. A shorter wash for lightly soiled loads that do not need drying.

Rinse. Use for rinsing dishes glasses and silverware that will not be washed right away.

2 Heated Dry

When the **Heating Dry** function is selected, the heater will work during the drying process.

3 Functions

Delay. To delay the start of a selected cycle, press the **Delay Start** pad until the desired delay time shows in the LED display. You can delay the start for 1 to 24 hours. To cancel the **Delay Start** option before the delay period is over, press the **Start/Cancel** pad for 3-5 seconds.

Display window. This displays the remained hours and minutes of the running cycle, delay hours and error codes etc.

Start/Cancel. Select the washing program or Cancel the washing program when the machine is working.

4 Child Lock

Press the **Delay** and **Heated Dry** buttons for 3 seconds the lock light will display on the LCD. No buttons can be operated when the dishwasher controls are locked. To cancel the **Child Lock** option, press the buttons for 3 seconds, the lock light will no longer be shown on the LCD and the dishwasher controls will be unlocked.

5 Cycle progress indicator

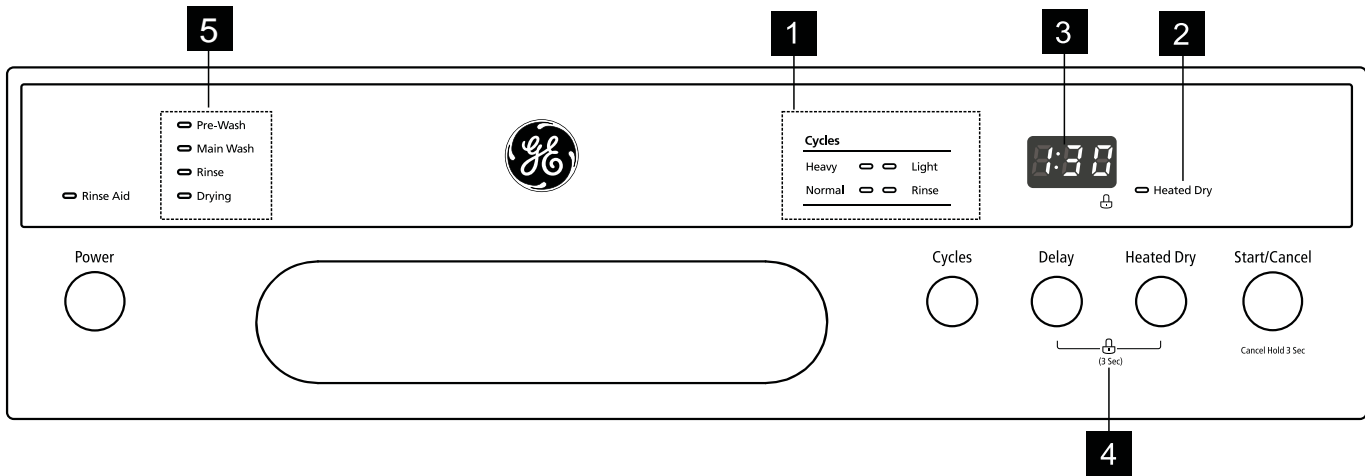
These lights indicate how far along the current wash cycle is, while the dishwasher is running.

- Pre-wash
- Main-wash
- Rinse
- Drying

Pre wash	When the dishwasher is in a Pre-wash portion of the cycle, the Pre-wash lights are illuminated.
Main wash	When the dishwasher is in a Main-wash of the cycle, the Main-wash lights are illuminated.
Rinse	When the dishwasher is in a Rinse portion of the cycle, the Rinse lights are illuminated.
Drying	When the dishwasher is in a Drying portion of the cycle, the Drying lights are illuminated, the Drying lights will turn off after the cycle is ended.

Getting started

CONTROL PANEL - Model GBF412 Series



1 Wash Cycle Selections

Heavy. This cycle is for hard-to-clean, heavily soiled dishes, pots, pans, and dishes.

Normal. This is standard program. It is for regularly soiled dinner dishes or silverware.

Light. For lightly soiled loads, such as glasses, crystal and fine china.

Rinse. Use for rinsing dishes glasses and silverware that will not be washed right away.

2 Heated Dry

When the **Heating Dry** function is selected, the heater will work during the drying process.

3 Functions

Delay. To delay the start of a selected cycle, press the **Delay Start** pad until the desired delay time shows in the LED display. You can delay the start for 1 to 24 hours. To cancel the **Delay Start** option before the delay period is over, press the **Start/Cancel** pad for 3-5 seconds.

Display window. This displays the remained hours and minutes of the running cycle, delay hours and error codes etc.

Start/Cancel. Select the washing program or Cancel the washing program when the machine is working.

4 Child Lock

Press the **Delay** and **Heated Dry** buttons for 3 seconds, the lock light will display on the LCD. No buttons can be operated when the dishwasher controls are locked. To cancel the **Child Lock** option, press the buttons for 3 seconds, the lock light will no longer be shown on the LCD and the dishwasher controls will be unlocked.

5 Cycle progress indicator

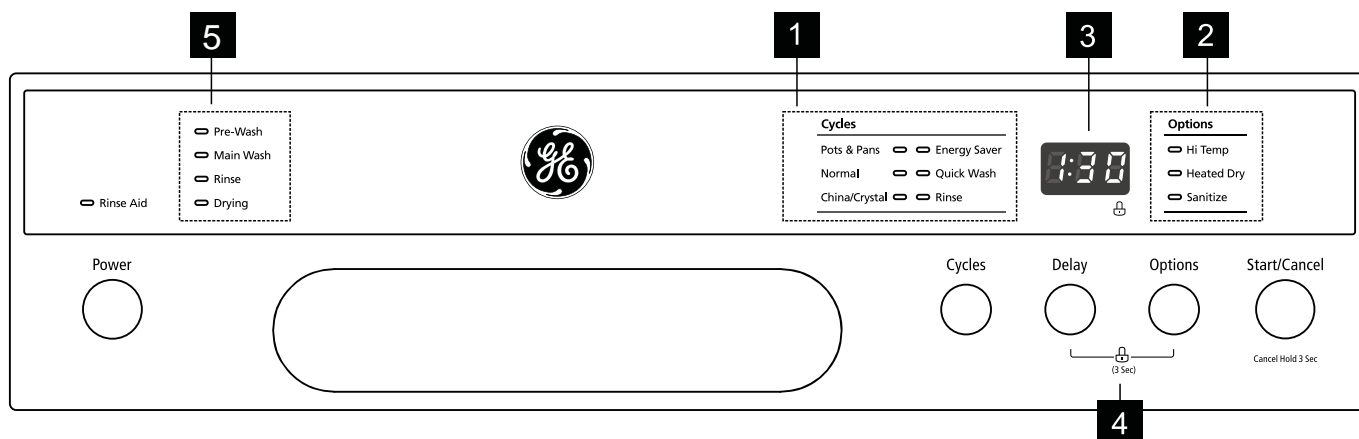
These lights indicate how far along the current wash cycle is, while the dishwasher is running.

- Pre-wash
- Main-wash
- Rinse
- Drying

Pre wash	When the dishwasher is in a Pre-wash portion of the cycle, the Pre-wash lights are illuminated.
Main wash	When the dishwasher is in a Main-wash of the cycle, the Main-wash lights are illuminated.
Rinse	When the dishwasher is in a Rinse portion of the cycle, the Rinse lights are illuminated.
Drying	When the dishwasher is in a Drying portion of the cycle, the Drying lights are illuminated, the Drying lights will turn off after the cycle is ended.

Getting started

CONTROL PANEL - Model GBF532 Series



1 Wash Cycle Selections

Select the appropriate wash cycle depending on the soil level of your dishes. After you select a cycle, the **Cycle On** light for that cycle lights up. If you want to cancel the selected cycle, press the selected cycle button again.

Pots and Pans. This cycle is for hard-to-clean, heavily soiled dishes, pots, pans, and dishes.

Normal. This is standard program. For regularly soiled dinner dishes or silverware.

China/Crystal. For lightly soiled loads, such as glasses, crystal and fine china.

Energy Saver. It is suitable to clean normally soiled tableware and it is the most efficient program in terms of its combined energy and water consumption for that type of tableware.

Quick-Wash. A shorter wash for lightly soiled loads that do not need drying.

Rinse. Use for rinsing dishes glasses and silverware that will not be washed right away.

2 Options

Hi Temp. When the **Hi Temp** wash function is selected, the temperature of the water will be maintained at 60°C (140°F) max.

Heated Dry. When the **Heated Dry** function is selected, the heater will work during the drying process.

Sanitize. When the **Sanitize** function is selected, the temperature of water will be maintained at 69°C (156.2°F) max. The max temperature may not be reached if the incoming water temperature is not correct. Certified residential dishwashers are not intended for licensed food establishments. **WARNING:** The sanitize option is available with **Heavy**, **Normal** and **Light** cycles.

3 Functions

Delay. To delay the start of a selected cycle, press the **Delay Start** pad until the desired delay time shows in the LED display. You can delay the start for 1 to 24 hours. To cancel the **Delay Start** option before the delay period is over, press the **Start/Cancel** pad for 3-5 seconds.

Display window. This displays the remaining hours and minutes of the running cycle, delay hours and error codes, etc.

Start/Cancel. Select or Cancel the washing program when the machine is working.

4 Child Lock

Press **Delay** and **Heated Dry** buttons for 3 seconds, the lock light will display on the LCD. No buttons can be operated when the dishwasher controls are locked. To cancel the **Child Lock** option, press the buttons for 3 seconds, the lock light will no longer be shown on the LCD and the dishwasher controls will be unlocked.

5 Cycle progress indicator

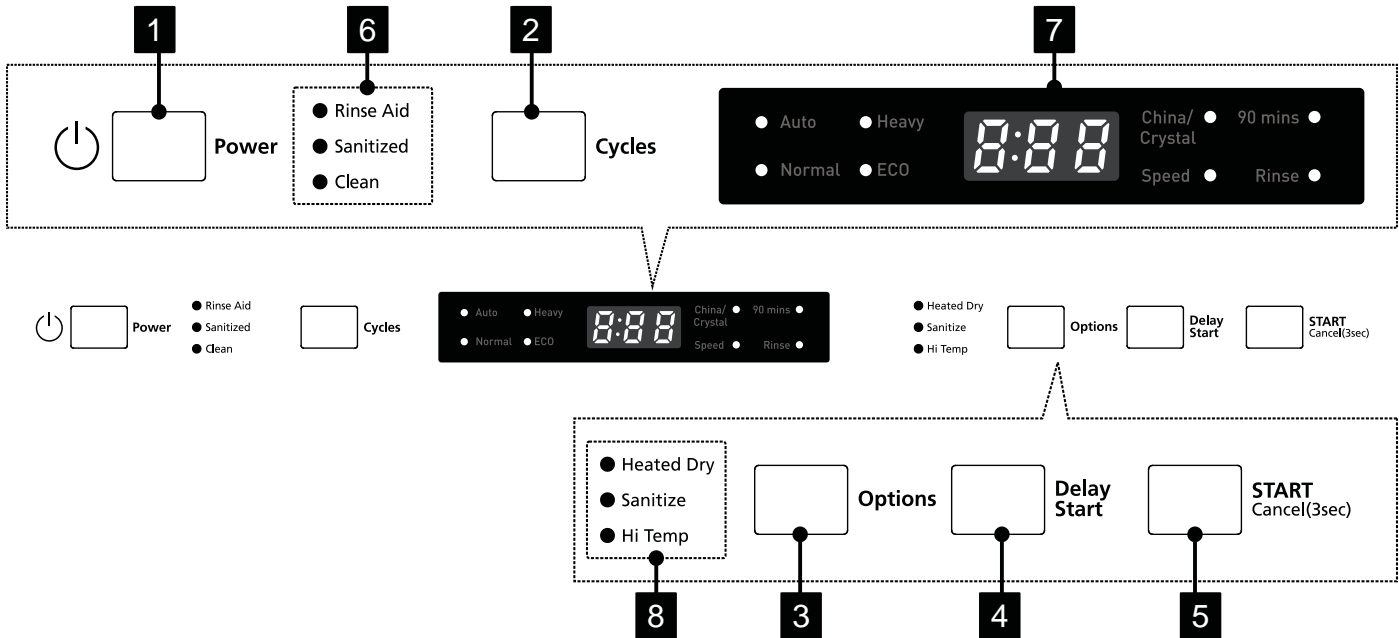
These lights indicate how far along the current wash cycle is, while the dishwasher is running.

- Pre-wash
- Main-wash
- Rinse
- Drying

Pre wash	When the dishwasher is in a Pre-wash portion of the cycle, the Pre-wash lights are illuminated.
Main wash	When the dishwasher is in a Main-wash of the cycle, the Main-wash lights are illuminated.
Rinse	When the dishwasher is in a Rinse portion of the cycle, the Rinse lights are illuminated.
Drying	When the dishwasher is in a Drying portion of the cycle, the Drying lights are illuminated, the Drying lights will turn off after the cycle is ended.

Getting started

CONTROL PANEL - Model GBT412/632 Series



1 Power Button

Switch on / off the power by pushing.

2 Cycles Button

To select the program by pushing.

3 Options Button

To select a function after setting a program.

4 Delay Start Button

To set the delay start time, showing in the display window as H01- H24.

5 Start/Cancel Button

When the program and options have been selected, make sure the door is closed press the START/ CANCEL button. To stop or reset the wash cycle, press the START/ CANCEL button, the dishwasher will stop washing. Note: Once the Start button is pressed and the door is closed, the dishwasher will start operating within a few seconds.

6 Wash Cycle selections

Rinse Aid. When the indication lights are on, please refill the detergent from the hole located on the dispenser.

Sanitized.

Clean.

7 Display - Wash Cycle selections

Auto. Auto sensing wash, lightly, or heavily soiled crockery, with or without dried-on food

Heavy. This cycle is for hard-to-clean, heavily soiled dishes, pots, pans, and dishes.

Normal. For regularly soiled dinner dishes or silverware.

ECO. This is a standard program, suitable to clean normally soiled tableware and is the most efficient program in terms of combined energy and water consumption for that type of tableware.

China/Crystal. For lightly soiled loads, such as glasses, crystal and fine china.

90 mins. Lightly soiled plates and pans that need a quick wash.

Speed. Shorter wash for lightly soiled loads that do not need drying.

Rinse. Use for rinsing dishes glasses and silverware that will not be wash right away.

8 Options

Heated Dry. When the Heated Dry function is selected, the heater will work during the drying process.

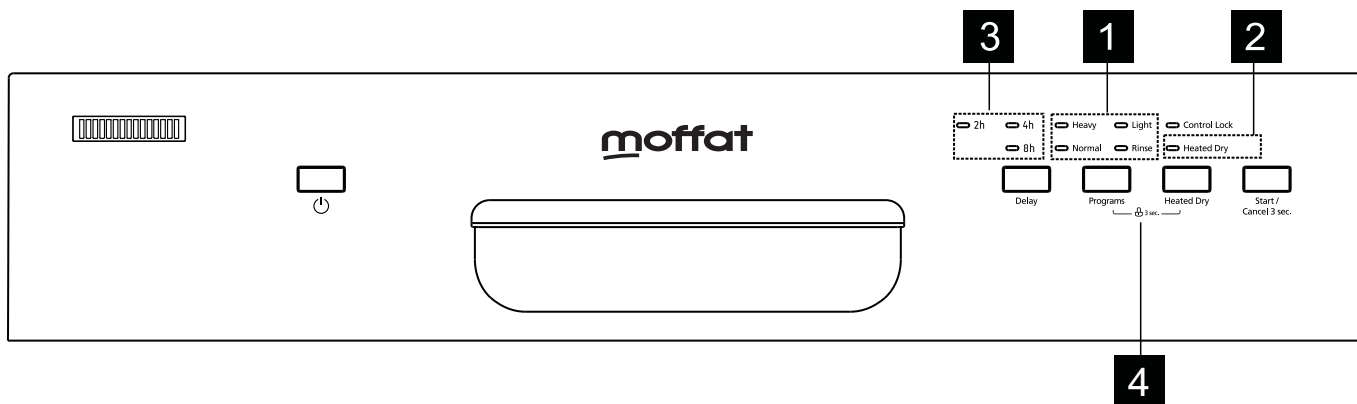
Sanitize. When the "Sanitize" function is selected, the temperature of water will be maintained at 69°C (156.2°F) max. The max. temperature may not be reached if the incoming water temperature is not correct. Certified residential dishwashers are not intended for licensed food establishments.

TIPS: The sanitize option is available with Normal, Heavy and Energy cycles.

Hi Temp. When the Hi Temp function is selected, the temperature of the water will be maintained at 60°C (140°F) max.

Getting started

CONTROL PANEL - Model MBF422 Series



1 Wash Cycle Selections

Select the appropriate wash cycle depending on the soil level of your dishes. After you select a cycle, the **Cycle On** light for that cycle lights up. If you want to cancel the selected cycle, press the selected cycle button again.

Heavy. This cycle is for hard-to-clean, heavily soiled dishes, pots, pans, and dishes.

Normal. This is a standard program. For regularly soiled dinner dishes or silverware.

Light. It is suitable to clean normally soiled tableware and it is the most efficient program in terms of its combined energy and water consumption for that type of tableware.

Rinse. Use for rinsing dishes glasses and silverware that will not be washed right away.

2 Heated Dry

When the **Heated Dry** function is selected, the heater will work during the drying process.

3 Functions

Delay. To delay the start of a selected cycle, press the **Delay Start** pad until the desired delay time shows in the LED display. You can delay the start for only 2,4,8 hours. To cancel the delay start option before the delay period is over, press the **Start/Cancel** pad for 3-5 seconds.

Display window. This displays the remaining hours and minutes of the running cycle, delay hours and error codes, etc.

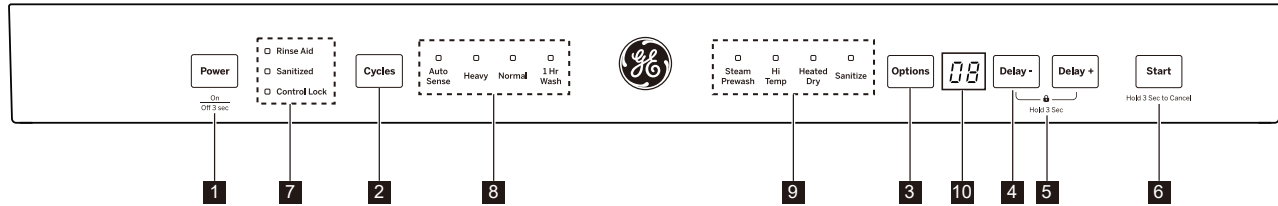
Start/Cancel. Select the washing program or Cancel the washing program when the machine is working.

4 Child Lock

Press the **Programs** and **Heated Dry** buttons for 3 seconds the lock light will display on the LCD.No buttons can be operated when the dishwasher controls are locked. To cancel the **Child Lock** option, press the buttons for 3 seconds, the lock light will no longer be shown on the LCD and the dishwasher controls will be unlocked.

Getting started

CONTROL PANEL - Model GBP420SSPSS/GBP534SSPSS/GBP534SGPWW Series



1. Power button

Press this button to turn on the dishwasher or hold the button for 3 seconds to turn off the dishwasher when the machine is on power.

2. Cycles button

Press this button to select the appropriate washing program, corresponding indicator will be lit.

3. Options button

Press the button to select a function, corresponding indicator will be lit.

4. Delay Start button

Press the Delay+ button to add the delay time or press the Delay- button to decrease the delay time, maximum 24 hours delay can be defined.

5. Control Lock button

This option allows you to lock the buttons on the control panel, so children cannot accidentally start the dishwasher by pressing the buttons on the panel. Only the Power button remains active. To lock or unlock the buttons on the control panel, press and hold the Delay+ button + Delay- button for 3 seconds simultaneously.

6. Start button

Start the washing program or pause the washing program when the machine is working.

7. Wash Cycle Selections

Rinse Aid
Turns on when you need to add rinse aid.

Sanitized
Turns on when a sanitized cycle is chosen and the temperature achieves 69°C (156.2°F). Turns off after 30 seconds when the door is opened.

Control Lock
Turns on when the control lock function is activated.

8. Wash Cycle Selections

Auto
Auto sensing wash, lightly, or heavily soiled crockery, with or without dried-on food

Heavy
This cycle is for hard-to-clean, heavily soiled dishes, pots, pans, and dishes.

Normal
This cycle is for regularly soiled dinner dishes or silverware.

1 Hour wash
A shorter wash for lightly soiled loads that do not need drying.

9. Options

Steam Prewash
Use for heavily soiled items. This option adds additional time to the cycle time and is available with the Auto, Heavy and Normal.

Heated Dry
When the "Heated Dry" function is selected, the heater will work during the drying process.

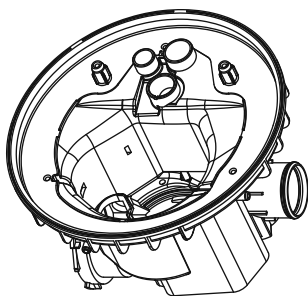
Sanitize
When the "Sanitize" function is selected, the temperature of water will be maintained at 69°C (156.2°F) max. The max temperature may not be reached if the incoming water temperature is not correct. Certified residential dishwashers are not intended for licensed food establishments.

High Temp
When the "High Temp" function is selected, the temperature of the water will be maintained at 60°C (140°F) max.

10. Screen

This displays the remained hours and minutes of the running cycle, delay hours and error codes etc.

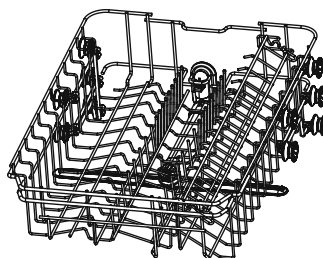
Getting Started



Filter System

Your dishwasher has a multiple **Filter System**. In the System there are three mesh filters. It can separate soiled water and clean water in different chambers.

The multiple filter system helps your dishwasher to get better performance with less water and less energy.

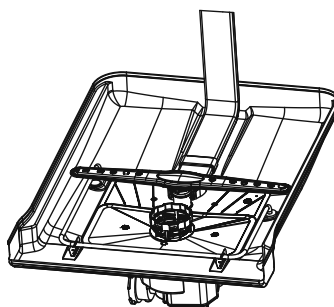


Smart Wash System

Your dishwasher has a **Smart Wash System**.

When a partial load of lightly soiled dishes is placed in the unit, a wash cycle similar to a short wash will automatically be performed.

When a full load of heavily soiled dishes is placed in the unit, a heavy wash cycle will automatically be performed. It can determine the type of cycle required to clean the dishes and will clean more efficiently every time.



How your dishwasher cleans

Your dishwasher cleans by spraying a mixture of hot water and detergent through the spray arms against soiled surfaces. The dishwasher fills with water covering the filter area. Water is then pumped through the multiple filter and spray arms. Separated soil particles go down the drain as the water is pumped out and replaced with clean water.

The number of water fills will vary with the cycle being used.

Getting Started

1. Load the dishwasher (See *Dish Preparation and Loading* sections).
2. Add detergent (See *Filling the detergent dispenser*).
3. Add rinse aid (See *Filling the rinse aid dispenser*).
4. Select desired CYCLE (See Cycle Chart).
5. Select desired OPTIONS (See Control Panel). The indicator light above the pad will glow when selected.
6. Select desired **Options** (See *Control Panel*). The indicator light above the pad will glow when selected.
7. Run the hot water faucet nearest the dishwasher until the water is hot, then turn it off.
8. To start, press **Start/Cancel** (See Control Panel) and close the door within four seconds.

Note: Your dishwasher has the controls mounted in the front of the door. The door should be closed first if you want to operate the machine.

Wash Cycle Selections

Cycle times are approximate and will vary with the options selected. Hot water is necessary to activate the detergent and melt fatty food soils. An automatic sensor will check the incoming water temperature. If it is not at the appropriate temperature the timer will delay the cycle to allow automatic water heating during the main wash.

When the **Hi-Temp** wash is selected an even higher temperature will be assured to handle heavier soil loads.

Loading

Dish Preparation

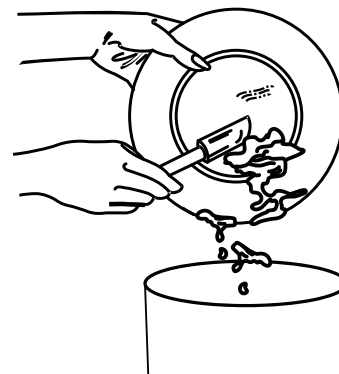
Scrape away large pieces of food, bones, pits, toothpicks, etc.

The continuously filtered wash system will remove the remaining food particles. Burned-on foods should be loosened before loading. Empty liquids from glasses and cups.

Foods such as mustard, mayonnaise, vinegar, lemon juice and tomato based products may cause discoloration of stainless steel and plastics if allowed to sit for a long period of time.

Unless the dishwasher is to be operated at once it is best to rinse off these food soils.

If the dishwasher drains into a food disposer, be sure disposer is completely empty before starting the dishwasher.



Loading the Upper Basket

The upper basket is designed for cups, glasses, small plates, bowls and plastic items marked dishwasher safe, etc. For best results, place the bowls, cups, glasses, sauce pans with soiled surface facing down or toward the center. Tilt slightly for better drainage.

Loading the Bottom Basket

The bottom basket is designed to load plates, soup bowls, plates, saucers and cookware. The adjustable basket space will allow you to load items with a maximum height of 11 inches (27.9 cm).

The fold-down tins in the bottom basket make it easy to load those extra large and hard-to-fit items. The tins may be left up for normal use or folded down for more flexible loading. Fold down for more space to load large pots or pans.



Make sure the loaded dishes do not interfere with the rotation of the middle spray arm, which is located at the bottom of the upper basket.

(Check this by rotating the middle spray arm by hand.)



Large items should be placed along the edge so they do not interfere with the middle spray arm rotation, and make sure they not prevent the detergent dispenser from opening.

Large items should be turned so that the inside faces downward, and make sure these items do not interfere with the lower spray arm rotation.

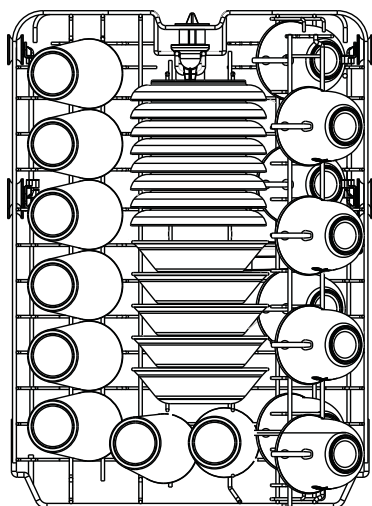
Loading

Loading the Lower Basket

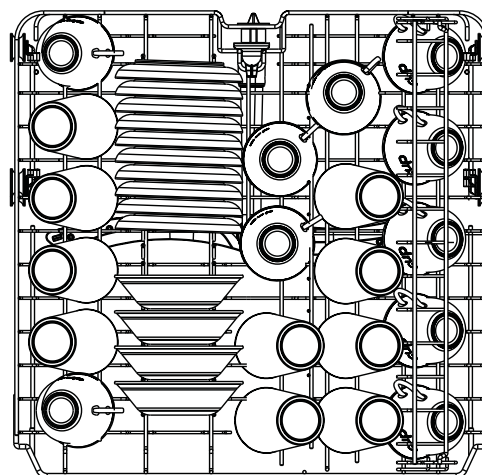
The lower basket has been especially designed for dinner dishes, soup bowls, plates, pots, lids, casserole dishes, and plates.

Load large items such as pans and pots into the dishwasher so their open sides face downwards. We recommend loading cups, stemware, and small plates into the upper basket.

See the recommended loading patterns below.



8 Place Setting - GBF180 Series Only



10 Place Setting

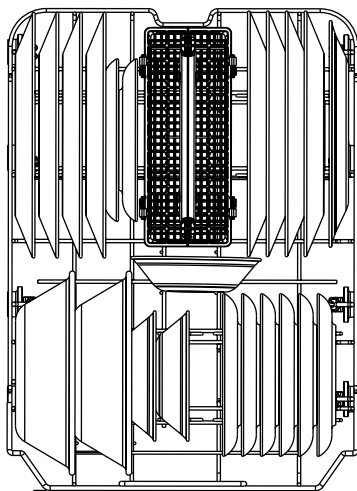
Loading the Upper Basket

The upper basket has been designed for small plates, mugs, glasses, and plastic items marked “dishwasher safe”. Load your plates into the dishwasher in two half rows, so that the front of each plate faces the back of the plate in front of it, and the open sides of the plates at the center of the dishwasher face each other.

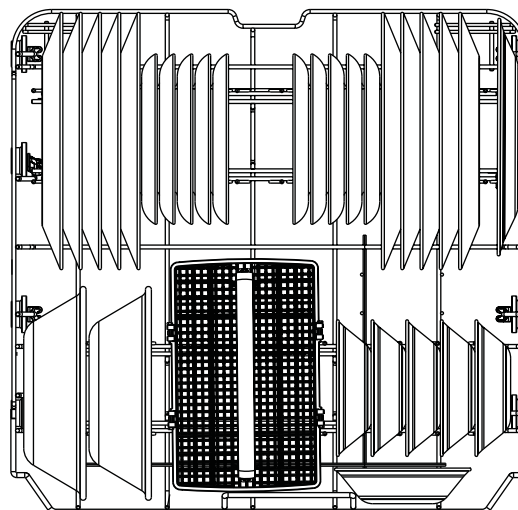
Make sure the loaded dishes do not interfere with the rotation of the nozzle which is located at the bottom of the upper basket. (Check this by rotating the nozzle by hand.)

When loading dishes, pull the upper basket out sufficiently so you can load it without striking the counter.

See the illustrations below.



8 Place Setting - GBF180 Series Only

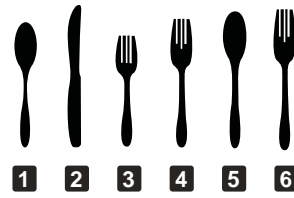


10 Place Setting

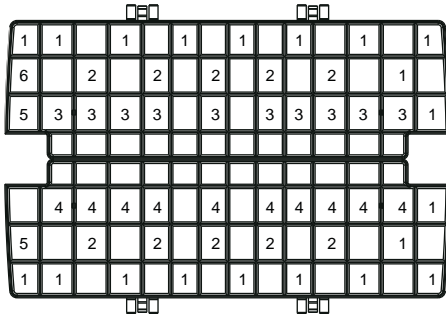
Loading

Loading the Silverware Basket

The silverware basket can be divided into three separate modules that can be used in both upper and lower racks.

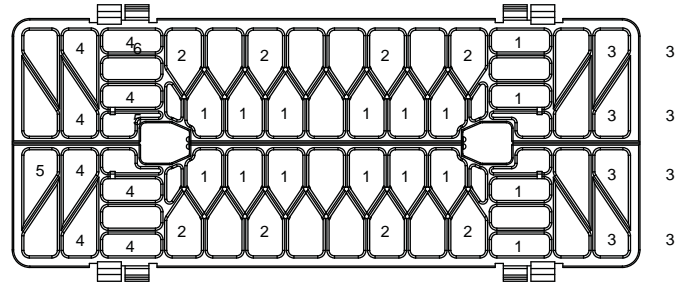


- 1. Spoons
- 2. Knives
- 3. Salad forks
- 4. Forks
- 5. Large spoons
- 6. Large forks



→ In

Modules for 10 place setting models



→ In

Modules for 8 place setting models



WARNING

1. Do not let items extend through bottom.
2. Be sure nothing protrudes through bottom of the basket or rack to block the lower spray arm.

Adding a Dish

To add or remove items after a washing cycle starts:

1. Open door slightly and wait a few seconds until wash action stops before completely opening.
2. Add the item.
3. Close the door firmly to latch within 4 secs, then the cycle will resume automatically.



CAUTION TO AVOID BURN INJURY:

Slightly open door and wait until spray arms and wash action stop.
Hot water may splash out of dishwasher.
Failure to do so may result in injury.

Filling the Rinse Aid dispenser

Rinse aid greatly improves drying and reduces water spots and filming.

Without rinse aid your dishes and dishwasher interior will have excessive moisture.

The Heated Dry option will not perform as well without rinse aid. The rinse aid dispenser, located next to the Detergent cup, automatically releases a measured amount of rinse aid during the last rinse.

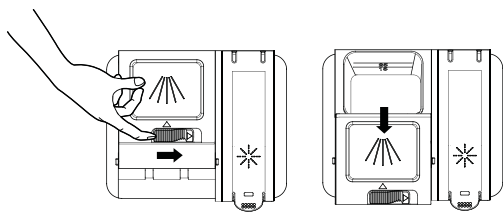
If the rinse aid is low, the Rinse Aid light is illuminated at the beginning and end of the cycle indicating that it is time to refill.



Your dishwasher is designed to use a liquid rinse aid.

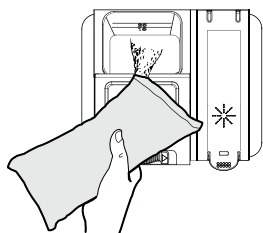
The use of rinse greatly improves drying performance after the final rinse. Do not use a solid or bar-type rinse aid. Under normal conditions, the rinse aid will last approximately one month. It is best to keep it full, but do not over fill.

Dispensers

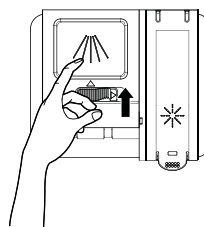


1. Open the detergent dispenser cap by pushing the detergent dispenser release catch.

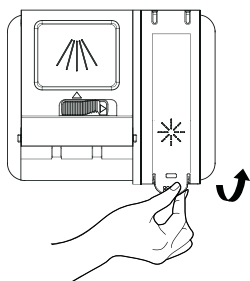
NOTE: The flap is always open at the end of a dishwashing cycle.



2. Add the recommended amount of detergent to the main wash detergent compartment.



3. Close the flap and then press it down.



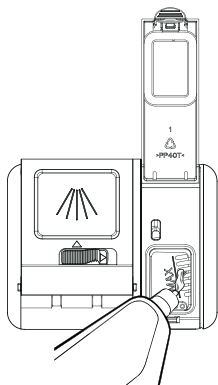
Filling the Rinse Aid dispenser

Your dishwasher has been designed to use liquid rinse aid only. Using a powdered rinse aid will clog the reservoir opening and cause the dishwasher to malfunction. Rinse aid improves the drying performance of the dishwasher.



Do not add regular detergent to the rinse aid reservoir.

1. Remove the rinse aid reservoir cap by rotating it counterclockwise.

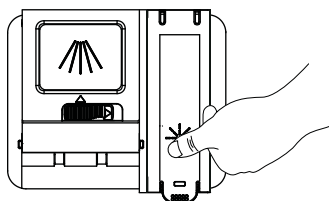


2. Fill the rinse aid reservoir with rinse aid.

NOTE: Use the viewing port when filling the rinse aid reservoir.



Do not fill the reservoir above the full level indicator. Excess rinse aid can overflow during the wash cycle.



3. Close the rinse aid reservoir cap by rotating it clockwise.

Care and Cleaning

Keeping your dishwasher clean improves its performance, reduces unnecessary repairs, and lengthens its life.

Cleaning the Exterior

It's best to clean spills on the outside of your dishwasher as they occur. Use a soft, damp cloth on the control panel to gently wipe away spills and dust. Do not use benzene, wax, thinner, chlorine bleach, or alcohol. These materials may discolor the inner walls and cause stains. Do not clean the dishwasher by sprinkling water over it and avoid letting water come into contact with any of the electrical parts.

NOTE: If your dishwasher has a stainless steel door panel, you can clean it with a stainless steel cleaner for Home Appliances or a similar product using a clean, soft cloth.

Cleaning the Interior

Clean the interior of your dishwasher periodically to remove any dirt or food particles. Wipe the inside of the dishwasher and the inner part of the door with a wet dishcloth. We recommend filling the detergent dispenser with dish detergent, and then running the dishwasher empty periodically using either the **Normal** or **Express 60** cycle with the **Sanitize** option. This will keep your dishwasher clean.

If white spots and odor are still present in your dishwasher, run the **Normal** cycle with the dishwasher empty and without detergent until it finishes. Then, interrupt the cycle and put an 8 ounce cup of white vinegar into the lower basket. Close the dishwasher and let the cycle finish.

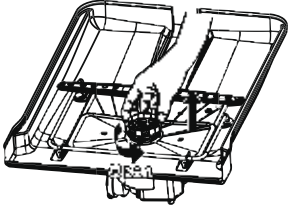


Do not remove the tub front seal (the long rubber seal enclosing the opening of the dishwasher).

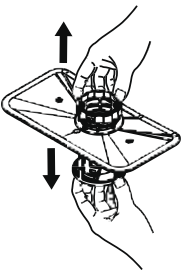


Do not touch the HEATING ELEMENT during or immediately after use.

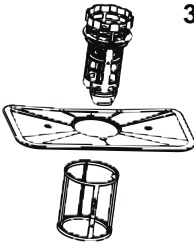
1. Turn off the dishwasher.



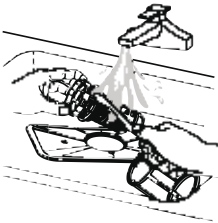
2. Rotate the filter, insert counter-clockwise to unfasten and then detach the filter insert.



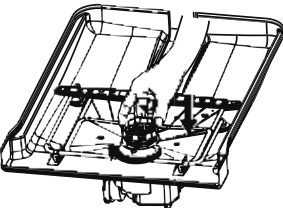
3. Remove the fine filter (flat, rectangular).




4. Remove any dirt or other remains from the filters, and then rinse them under running water.



5. Reassemble the filters in the reverse order of disassembly, replace the filter insert, and rotate clockwise to the close arrow.



CAUTION: If the filter insert is not closed properly, its performance will be decreased.

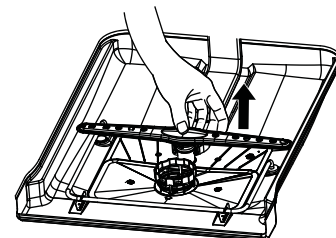


Cleaning the Nozzles

If your dishwasher does not seem to be cleaning adequately or the nozzles seem clogged, you can clean each of the nozzles. When removing the nozzles, take care as they may break.

Lower nozzle

1. Check whether the nozzle holes are clogged by food particles.
2. If cleaning is needed, remove the nozzle by pulling it upwards.
3. Clean the nozzle, and then push it back into place.
4. Check whether the nozzle is engaged correctly by rotating it by hand.



Troubleshooting tips ... Before you call for service

Problem	Possible Cause	What To Do
Start status indicator light flashing (on some models)	The door was opened or the cycle was interrupted.	Press the Start pad once and close the door within 4 seconds to start the dishwasher.
Dishwasher BEEPS once every minute (on some models)	This is a reminder that your dishwasher door has been left open during operation. It will continue beeping until you press Start and close the door.	Press Start and close the door.
Beeping at the end of the cycle (on some models)	This is normal. Dishwasher will beep twice at the end of the cycle.	To turn off the double beep indicator (or re-activate it if it was previously turned off), press the Heated Dry pad 5 times within 3 seconds. A triple beep will sound to indicate the end-of-cycle beep option has been turned on or off.
Dishes and flatware not clean	Ultra-Fine Filter or Fine Filter is clogged.	See the Care and Cleaning section.
	Low inlet water temperature.	Make sure inlet water temperature is correct (see the USING THE DISHWASHER section). Turn on the hot water faucet nearest the dishwasher, let run until the water temperature stops rising. Then start the dishwasher and turn off the faucet. This ensures the entering water is hot. Select Wash Temp Boost if available.
	Water pressure is temporarily low.	Turn on a faucet. Is water coming out more slowly than usual? If so, wait until pressure is normal before using your dishwasher. Normal water pressure to the dishwasher should be 20-120 psi.
	Air gap or disposer clogged.	Clean the air gap or flush the disposer.
	High drain loop or air gap not installed.	Refer to the Installation Instructions for proper drain line installation.
	Improper rack loading.	Make sure large dishware does not block the detergent dispenser or the wash arms. See the Loading section. When large utensils are placed in the silverware basket, do not mount the basket on the door (on some models). Instead, mount basket on the lower rack.
	Poor performing detergent.	Use a highly rated detergent such as Finish® Quantum® Automatic Dishwashing Detergent .
Spots and filming on glasses and flatware	Extremely hard water.	Use rinse agents such as Finish® Jet-Dry® Rinse Aid to prevent spots and prevent new film build-up. If water is extremely hard, a softener may be required.
	Low inlet water temperature.	Make sure water temperature is at least 120°F (49°C).
	Overloading or improper loading of the dishwasher.	Load dishwasher as shown in the Loading section.
	Old or damp powder detergent.	Make sure detergent is fresh. Use a highly rated detergent such as Finish® Quantum® Automatic Dishwashing Detergent .
	Rinse agent dispenser empty.	Refill with rinse agent such as Finish® Jet-Dry® Rinse Aid .
	Too little or low performing detergent.	Make sure you use the proper amount of highly rated detergent.
Cloudiness on glassware	Combination of soft water and too much detergent.	This is called etching and is permanent. To prevent this from happening, use less detergent if you have soft water. Wash glassware in the shortest cycle that will get it clean.
	Low performing phosphate-free detergent.	See A white film on glassware, dishware and the interior in this TROUBLESHOOTING TIPS section.
	Water temperature entering the dishwasher exceeds 150°F (66°C)	This could be etching. Lower the water heater temperature.

Troubleshooting tips ... Before you call for service

Problem	Possible Cause	What To Do
Suds in the tub	Wrong detergent.	Use only automatic dishwasher detergents to avoid sudsing. Finish® Quantum® Automatic Dishwashing Detergent has been approved for use in all GE Appliances dishwashers. To remove suds from the tub, open the dishwasher and let suds dissipate. Pump out water by pressing Start and close the door. Wait 30 seconds. Open the door, press and hold Start for 3 seconds, and close the door. Repeat if necessary.
	Rinse agent was spilled.	Always wipe up rinse agent spills immediately.
Detergent left in dispenser cups	Dishes or utensils are blocking the detergent cup.	Reposition the dishes, so the water from the lower spray arm can flush the detergent cup. See the Loading section. Reposition the tall utensils or heavy silverware that may be keeping the dispenser cup door from opening. See the Loading section.
Black or gray marks on dishes	Aluminum utensils have rubbed against dishes.	Remove marks with a mild, abrasive cleaner.
Dishes don't dry	Low inlet water temperature.	Make sure inlet water temperature is at least 120°F (49°C). Select Heated Dry or Dry Boost . Use Wash Temp Boost .
	Rinse agent dispenser is empty.	Check the rinse agent dispenser and fill as required.
	Additional drying time is needed.	Leave door closed after the Clean light appears to allow the fan to run an additional 90 minutes (on some models). Note: If you open the door, this fan extension will be cancelled.
	Cycle selection.	If using Light cycle which uses lower water temperature and thus limited dry performance, switch to a different cycle.
	Cycle completion.	Allow cycles to fully complete. See Long cycle times in this TROUBLESHOOTING TIPS section.
Long cycle times	Dishwasher washes by alternating mid and lower spray arms.	Longer cycles are normal. For best wash and dry performance, let cycle complete.
	Soil level.	The turbidity sensor senses how much soil is on the dishes. Heavy soiled dish loads will add more time to the cycle. This is normal function. For best wash and dry performance, allow cycle to complete.
Control panel responded to inputs but dishwasher never filled with water	Door may not be completely closed.	Make sure the door is firmly closed.
	Water valve may be turned off.	Make sure water valve (usually located under the sink) is turned on.
	Flood float may be stuck.	Remove Ultra-Fine filter and lightly tap the piece under the ultra fine filter that looks like a salt shaker. Replace the filter

Troubleshooting tips ... Before you call for service

Problem	Possible Cause	What To Do
Stained tub interior	Some tomato-based foods can cause reddish stains.	Use of the Steam Sani cycle (on some models) after adding the dish to the load can decrease the level of staining.
	Tea or coffee stains.	Remove the stain by hand, using a solution of 1/2 cup (120 ml) (bleach and 3 cups warm water. NOTE: Do not use bleach on stainless steel inner door. ⚠ CAUTION Before cleaning interior, wait at least 20 minutes after a cycle for the heating elements to cool down. Failure to do so can result in burns.
	An overall yellow or brown film can be caused by iron deposits in water.	A special filter in the water supply line is the only way to correct this problem. Contact a water softener company.
	White film on inside surface—hard water minerals	GE Appliances recommends Finish® Jet-Dry® Rinse Aid to help prevent hard water mineral deposits from forming. Run dishwasher with citric acid to remove mineral deposits. Citric acid (Part number: WD35X151) can be ordered through GE Appliances Parts. See back cover for ordering information. Alternatively, purchase Finish® Dishwasher Cleaner and follow the directions on the label.
Dishwasher won't run	Fuse is blown or circuit breaker is tripped.	Replace fuse or reset circuit breaker. Remove any other appliances from the circuit.
	Power is turned off.	In some installations, the power to the dishwasher is provided through a wall switch, often located next to the disposer switch. Make sure it is on.
	Control panel is locked.	Unlock control panel. See the Getting started section.
Control panel lights go off when you're setting controls	Time too long between touching of selected buttons.	Each pad must be touched within 30 seconds of the others. To relight, touch any pad again or open the door and unlock (top control).
Water standing in the bottom of the tub	Air gap is clogged.	Clean the air gap. See the CARE AND CLEANING section.
	High drain loop or air gap not installed.	Refer to the Installation Instructions for proper drain line installation.
Water won't pump out of the tub	Drain is clogged.	If you have an air gap, clean it. See the CARE AND CLEANING section. If the dishwasher drains into a disposer, run disposer clear. Check to see if your kitchen sink is draining well. If not, you may need a plumber.

Troubleshooting tips ... Before you call for service

Problem	Possible Cause	What To Do
Steam	This is normal.	Warm, moist air comes through the vent during drying and when water is being pumped out. This is necessary for drying.
Sanitized light does not illuminate at the end of the cycle	The door was opened and the cycle was interrupted during final rinse.	Do not interrupt the cycle by opening the door during the wash cycle.
	The incoming water temperature was too low.	Raise the water heater temperature to between 120°F (49°C) and 150°F (66°C).
Noise	Normal operating sounds: Beeping at the end of the cycle (on some models). Detergent cup opening. Water entering dishwasher. Motor stops and starts at various times during cycle. Spray arms start and stop at various times. Drain pump sounds during pump out. Drain pump starts and stops several times during each drain.	These are all normal. No action is required.
	Rattling dishes when the spray arm rotates.	Make sure dishes are properly loaded. See the Loading section.
	Rattling silverware against door during wash.	Tall utensils may be placed in the upper rack to avoid bumping against inner door during wash cycle.
A white film on glassware, dishware and the interior	This problem is likely caused by a low quality phosphate-free dishwasher detergent.	To remove the white film, run your dishes through a dishwasher cycle with citric acid. Use Finish® Dishwasher Cleaner found at your local grocery store. Pour the citric acid in the detergent cup and close the cover. Place the filmed but otherwise clean glassware and dishware in the dishwasher. Leave silverware and other metal items out of the dishwasher. Turn the dishwasher on and let it run through a complete cycle without detergent. The glassware, dishware, and dishwasher should come out film free. Alternatively, a vinegar rinse may be used. Pour 1 cup (240 ml) of vinegar into dishwasher just after the detergent cup opens and let the dishwasher complete its cycle. This may be repeated several times a year as needed. The use of a rinse agent such as Finish® Jet-Dry® Rinse Aid may help minimize a repeat build up of film. Also, the use of a highly rated detergent such as Finish® Quantum® Automatic Dishwashing Detergent will help prevent film build-up.

GE Appliances Dishwasher Warranty

WARRANTY

GEAppliances.ca

All warranty service is provided by our Factory Service Centers, or an authorized Customer Care® technician. To schedule service online, visit us at https://service.geappliances.ca/servicio/en_CA/ or call GE Appliances at 800.561.3344. Please have your serial number and your model number available when calling for service.

Servicing your appliance may require the use of the onboard data port for diagnostics. This gives a GE Appliances factory service technician the ability to quickly diagnose any issues with your appliance and helps GE Appliances improve its products by providing GE Appliances with information on your appliance. If you do not want your appliance data to be sent to GE Appliances, please advise your technician not to submit the data to GE Appliances at the time of service.

For the period of	GE Appliances will replace
One year From the date of the original purchase	Any part of the dishwasher which fails due to a defect in materials or workmanship. During this limited one-year warranty , GE Appliances will provide, free of charge , all labor and in-home service to replace the defective part.

What GE Appliances will not cover (for customers in Canada):

- Service trips to your home to teach you how to use the product.
- Improper installation, delivery, or maintenance.
- Failure of the product if it is abused, misused or used for other than the intended purpose or used commercially.
- Replacement of house fuses or resetting of circuit breakers.
- Product not accessible to provide required service.
- Damage to the product caused by accident, fire, floods, or acts of God.
- Incidental or consequential damage caused by possible defects with this appliance.
- Cleaning or servicing of the air gap device in the drain line.
- Damage caused after delivery including damage from items dropped on the door.

This warranty is extended to the original purchaser and any succeeding owner for products purchased for home use within Canada. If the product is located in an area where service by a GE Appliances Authorized Servicer is not available, you may be responsible for a trip charge or you may be required to bring the product to an Authorized GE Appliances Service location for service.

EXCLUSION OF IMPLIED WARRANTIES

Your sole and exclusive remedy is product repair as provided in this Limited Warranty. Any implied warranties, including the implied warranties of merchantability or fitness for a particular purpose, are limited to one year or the shortest period allowed by law.

WARRANTOR IS NOT RESPONSIBLE FOR CONSEQUENTIAL DAMAGES.

Extended Warranties: Purchase a GE Appliances extended warranty and learn about special discounts that are available while your warranty is still in effect. Contact your retailer of purchase for more details.

Warrantor: MC Commercial Inc. Burlington, ON, L7R 5B6

Staple your receipt here. Proof of the original purchase date is needed to obtain service under the warranty.

Consumer Support

GE Appliances Website

Have a question or need assistance with your appliance? Try the GE Appliances Website 24 hours a day, any day of the year! You can also shop for more great GE Appliances products and take advantage of all our on-line support services designed for your convenience. In Canada: **GEAppliances.ca**.

Register Your Appliance

Register your new appliance on-line at your convenience! Timely product registration will allow for enhanced communication and prompt service under the terms of your warranty, should the need arise. You may also mail in the pre-printed registration card included in the packing material. In Canada:

https://service.geappliances.ca/servicio/en_CA/

Schedule Service

Expert GE Appliances repair service is only one step away from your door. Get on-line and schedule your service at your convenience any day of the year. In Canada: **https://service.geappliances.ca/servicio/en_CA/** or call 800.561.3344 during normal business hours.

Extended Warranties

Contact your retailer of choice regarding extended warranties to purchase a GE Appliances extended warranty and learn about special discounts that are available while your warranty is still in effect.

Parts and Accessories

Individuals qualified to service their own appliances can have parts or accessories sent directly to their homes via their local parts distributor. Or, call 800.661.1616 during normal business hours.

Instructions contained in this manual cover procedures to be performed by any user. Other servicing generally should be referred to qualified service personnel. Caution must be exercised, since improper servicing may cause unsafe operation.

Contact Us

If you are not satisfied with the service you receive from GE Appliances, contact us on our Website with all the details including your phone number, or write to:

Director, Customer Relations | MC Commercial Inc. | Suite 310 - 1 Factory Lane, Moncton NB, E1C 9M3



LAVE-VAISSELLE

SÉCURITÉ 26

UTILISATION DU LAVE-VAISSELLE

Mise en marche 28

Chargement 34

Distributeurs 37

ENTRETIEN ET NETTOYAGE 38

DÉPANNAGE 39

GARANTIE..... 43

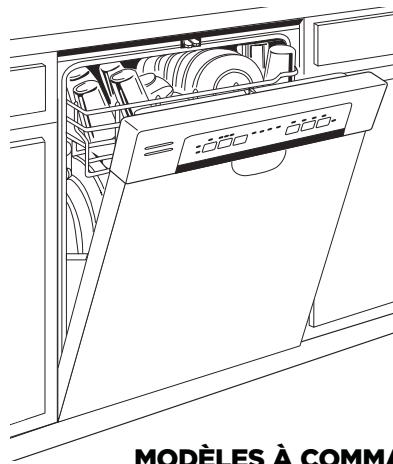
SERVICE À LA CLIENTÈLE 44

MANUEL DE L'UTILISATEUR

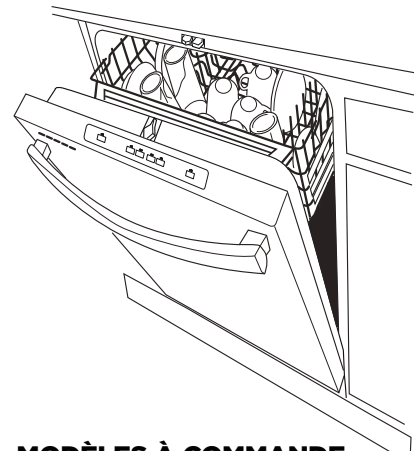
- Série GBF 180
- Série GBF 412-532
- Série GBF 422
- Série GBF 412
- Série GBF 632
- Série GBP 420
- Série GBP 534

Comprend les appareils des séries Moffat et GE^{MD}

ENGLISH/FRANÇAIS



MODÈLES À COMMANDE AVANT



MODÈLES À COMMANDE PAR LE HAUT

Inscrivez ici les numéros de modèle et de série :

N° de modèle _____

N° de série _____

Vous trouverez ces numéros sur une étiquette située sur la paroi de la cuve, à l'intérieur de la porte.

MERCI DE PERMETTRE À ÉLECTROMÉNAGERS GE DE FAIRE PARTIE DE VOTRE FOYER.

Que vous ayez grandi avec des électroménagers GE ou qu'il s'agisse de votre premier appareil GE, nous sommes heureux de vous avoir dans la famille.

Nous sommes fiers du savoir-faire, de l'innovation et du design qui font partie intégrante de tous les électroménagers GE que nous fabriquons, et nous pensons que vous le serez aussi. À cet égard, l'enregistrement de votre appareil nous assure que nous pourrons vous fournir des informations importantes sur votre appareil et des détails sur sa garantie si vous en avez besoin.

Enregistrez votre électroménager GE en ligne dès maintenant. Des sites Web et des numéros de téléphone utiles sont disponibles dans la section « Service à la clientèle » de ce manuel de l'utilisateur. Vous pouvez également envoyer par courrier la carte d'enregistrement préimprimée qui se trouve dans l'emballage de votre appareil.



GE APPLIANCES

Notes

BIENVENUE

CONSIGNES DE SÉCURITÉ IMPORTANTES

LISEZ TOUTES LES INSTRUCTIONS AVANT D'UTILISER L'APPAREIL



AVERTISSEMENT

Pour votre sécurité et pour réduire les risques d'incendie, d'explosion, de choc électrique, de dommages matériels, de blessures ou d'accident mortel, vous devez vous conformer aux instructions contenues dans ce manuel.



AVERTISSEMENT

INSTALLATION ET ENTRETIEN APPROPRIÉS

Ce lave-vaisselle doit être installé conformément aux instructions d'installation avant que vous ne l'utilisiez. Si vous n'avez pas reçu le feuillet d'instructions d'installation avec votre lave-vaisselle, vous pouvez l'obtenir en consultant notre site Web : www.electromenagersge.ca.

- Raccordez le lave-vaisselle à un câblage permanent, métallique mis à la terre; ou acheminez un conducteur pour équipement mis à la terre avec les conducteurs de circuit raccordé à la borne ou au fil de mise à la terre de l'appareil.
- Un mauvais raccordement du conducteur de mise à la terre de cet appareil peut entraîner un risque de choc électrique. En cas de doute quant à la mise à la terre de l'appareil, consultez un électricien qualifié ou un représentant du service après-vente.
- Mettez correctement au rebut les appareils que vous jetez et tous les matériaux d'emballage et d'expédition.
- Ne tentez pas de réparer ou de remplacer une pièce du lave-vaisselle, sauf si cela est spécifiquement recommandé dans ce manuel. Toutes les autres réparations doivent être confiées à un technicien qualifié.
- N'utilisez que l'ensemble de cordon WG04F10796 ou un câble rigide pour raccorder cet appareil au système électrique du bâtiment. Le non-respect de cette consigne peut entraîner un risque d'incendie et de blessure.
- Pour minimiser les risques de choc électrique, débranchez l'appareil avant de procéder à toute opération d'entretien.

REMARQUE : Arrêter le lave-vaisselle ne le déconnecte pas de l'alimentation électrique. Nous vous recommandons de faire appel à un technicien qualifié pour réparer votre appareil.



AVERTISSEMENT

LORSQUE VOUS UTILISEZ VOTRE LAVE-VAISSELLE, SUIVEZ LES PRÉCAUTIONS DE BASE, Y COMPRIS CE QUI SUIT :

- Cet appareil ne doit être utilisé qu'aux fins prévues et décrites dans ce manuel.
- N'utilisez que les détergents ou les agents de mouillage recommandés pour votre lave-vaisselle, et gardez ces produits hors de la portée des enfants. L'utilisation d'un détergent non spécifiquement conçu pour les lave-vaisselle entraînera la formation excessive de mousse.
- Disposez les articles pointus de façon à ce qu'ils ne risquent pas d'endommager le joint de la porte.
- Chargez les couteaux tranchants en orientant le manche vers le haut afin d'éviter de vous blesser lors du déchargement.
- Ne lavez pas les articles en plastique, à moins qu'ils portent la mention « Résistant au lave-vaisselle » ou l'équivalent. Pour les articles en plastique ne portant aucune indication, vérifiez les recommandations du fabricant.
- Ne touchez pas à l'élément chauffant lors de l'utilisation du lave-vaisselle ni immédiatement après.
- N'utilisez pas votre lave-vaisselle si tous les panneaux du caisson ne sont pas en place.
- Ne modifiez pas les commandes.
- Ne vous assoyez pas ou ne vous tenez pas debout sur la porte ou sur un panier du lave-vaisselle et n'utilisez pas l'appareil de façon abusive.
- Pour réduire les risques de blessures, ne laissez jamais les enfants jouer avec, sur ou à l'intérieur de cet appareil.
- Ne stockez pas et n'utilisez pas de matières combustibles, y compris de l'essence ou d'autres liquides ou vapeurs inflammables, à proximité de cet appareil ou de tout autre électroménager.
- Les petites pièces, telles que les supports des paniers et les tiges de retenue du filtre, peuvent constituer un risque d'étouffement pour les jeunes enfants s'ils sont retirés du lave-vaisselle. Tenir hors de portée des jeunes enfants.

LISEZ ET CONSERVEZ CES INSTRUCTIONS

CONSIGNES DE SÉCURITÉ IMPORTANTES

LISEZ TOUTES LES INSTRUCTIONS AVANT D'UTILISER L'APPAREIL

⚠ AVERTISSEMENT MESURES DE SÉCURITÉ RELATIVES AU CHAUFFE-EAU

Dans certaines conditions, de l'hydrogène peut se former dans un chauffe-eau qui n'a pas été utilisé pendant deux semaines ou plus.

L'HYDROGÈNE EST UN GAZ EXPLOSIF.

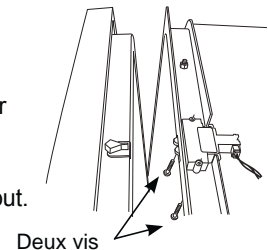
Si l'eau chaude n'a pas été utilisée pendant 2 semaines ou plus, ouvrez tous les robinets d'eau chaude et laissez l'eau couler pendant plusieurs minutes pour éviter les dommages et les blessures. Faites de même avec tout appareil électrique raccordé au circuit d'eau chaude. Ce simple procédé permet à l'hydrogène de s'échapper. Ce gaz étant inflammable, ne fumez pas et n'utilisez pas l'appareil ou de flamme nue pendant cette opération.

⚠ AVERTISSEMENT RISQUE D'ENFERMEMENT POUR LES ENFANTS

MISE AU REBUT APPROPRIÉE DU LAVE-VAISSELLE

Les lave-vaisselle abandonnés ou mis au rebut sont toujours dangereux... même si ce n'est que pour « quelques jours ». Si vous vous débarrassez de votre lave-vaisselle, veuillez suivre les instructions ci-dessous pour éviter tout accident.

- Ne laissez pas les enfants jouer avec, sur ou à l'intérieur de cet appareil ou de tout appareil mis au rebut.
- Retirez la porte du compartiment de lavage ou retirez le loquet en enlevant les deux vis du récepteur du loquet à l'intérieur de la cuve (comme indiqué).



Deux vis

⚠ ATTENTION POUR ÉVITER DES BLESSURES ET DES DOMMAGES À LA PROPRIÉTÉ

- Pendant ou après le cycle de lavage, le contenu peut être chaud au toucher. Faites attention avant de manipuler le contenu du lave-vaisselle.
- Une surveillance étroite est nécessaire si cet appareil est utilisé par ou près des enfants. Ne laissez pas d'enfants jouer autour du lave-vaisselle lorsque vous fermez la porte, lorsque vous fermez le panier supérieur ou en ajustant verticalement le panier supérieur pour éviter de pincer leurs doigts.
- Articles qui ne vont pas au lave-vaisselle : Ne lavez pas d'articles tels que les filtres de purificateur d'air électronique, les filtres de fournaise ou les pinceaux dans votre lave-vaisselle. Vous pourriez endommager le lave-vaisselle, le décolorer ou le tacher.
- Placez les articles en plastique légers de façon à ce qu'ils ne tombent pas au fond du lave-vaisselle. Ils pourraient entrer en contact avec l'élément chauffant et être endommagés.

⚠ ATTENTION EXIGENCES ÉLECTRIQUES

- Ce lave-vaisselle doit être alimenté par une tension de 120 V, 60 Hz et être raccordé à un circuit de dérivation indépendant mis à la terre et protégé par un disjoncteur de 15 A ou 20 A ou un fusible temporisé.
- Si l'alimentation électrique fournie n'est pas conforme aux exigences ci-dessus, nous vous recommandons de demander à un électricien qualifié d'installer une prise conforme.
- Le circuit de votre lave-vaisselle ne doit pas être utilisé pour d'autres appareils lorsque le lave-vaisselle fonctionne, car ce dernier a besoin de toute la capacité du circuit.

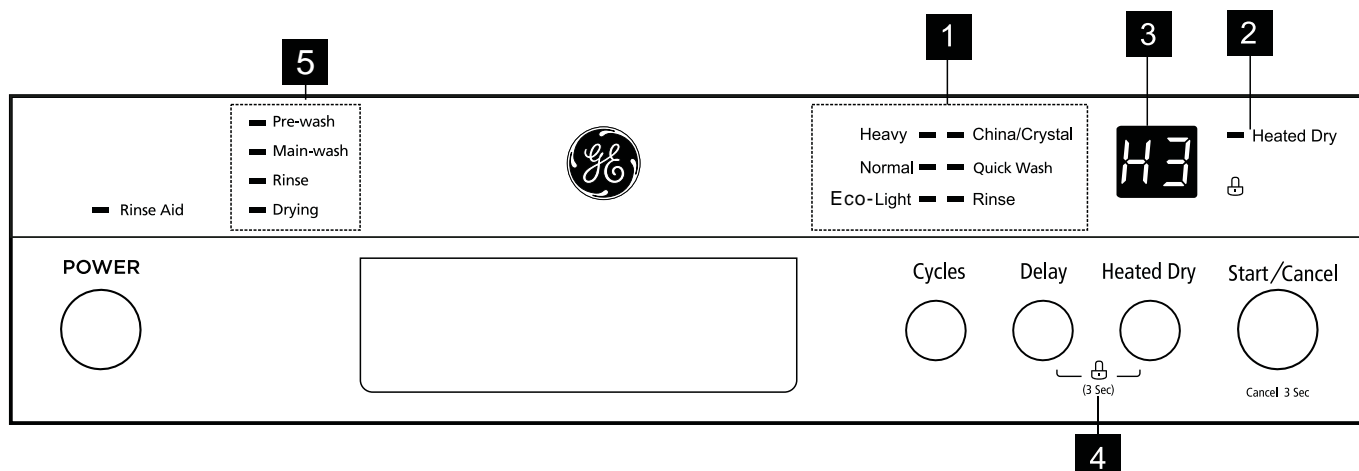
⚠ AVIS

- Si votre lave-vaisselle est raccordé à un interrupteur mural, assurez-vous que l'interrupteur est en position de mise en marche avant d'utiliser le lave-vaisselle.
- Si vous choisissez d'éteindre l'interrupteur mural entre les cycles de lavage, attendez 5 à 10 secondes après avoir allumé l'interrupteur avant d'appuyer sur la touche Start (démarrer) pour permettre l'initialisation de la commande.
- N'utilisez que des détergents en poudre, du détergent pour lave-vaisselle **Finish^{MD} Quantum^{MD}**, des détergents ou des agents de rinçage liquides recommandés pour les lave-vaisselle et gardez-les hors de portée des enfants. L'utilisation du **détergent pour lave-vaisselle Finish^{MD} Quantum^{MD}** et de l'**agent de rinçage Finish^{MD} Jet-Dry^{MD}** a été approuvée pour tous les lave-vaisselle d'Électroménagers GE.

LISEZ ET CONSERVEZ CES INSTRUCTIONS

Mise en marche

PANNEAU DE COMMANDE - Modèle de la série GBF180



1 Sélections du programme de lavage

Heavy (intensif). Ce programme est destiné au lavage de la vaisselle, des casseroles et des chaudrons difficiles à nettoyer et très sales.

Normal. Il s'agit du programme de lavage standard. Il permet de laver la vaisselle et les ustensiles normalement sales.

Eco - Light (éco - léger). Pour les charges de vaisselle légèrement sales, telles que les verres, les articles en cristal et la porcelaine fine.

Quick-Wash (lavage rapide). Un lavage plus court pour les charges légèrement sales qui n'ont pas besoin d'être séchées.

Rinse (rinçage). Utilisez ce programme pour rincer la vaisselle, les verres et les ustensiles qui ne seront pas lavés tout de suite.

2 Heated Dry (séchage avec chaleur)

Lorsque l'option **Heated Dry** (séchage avec chaleur) est sélectionnée, l'élément chauffant sera activé pendant le séchage.

3 Fonctions

Delay (délai). Pour retarder le début d'un programme sélectionné, appuyez sur la touche **Delay Start** (démarrage différé) jusqu'à ce que le temps de délai souhaité s'affiche sur l'afficheur. Vous pouvez différer le départ d'un programme de 1 à 24 heures. Pour annuler l'option **Delay Start** (démarrage différé) avant la fin du délai, appuyez sur la touche **Start/Cancel** (démarrer/annuler) pendant 3 à 5 secondes.

Afficheur. L'afficheur indique les heures et les minutes qui restent au programme en cours d'exécution, les heures du délai, les codes d'erreur, etc.

Start/Cancel (démarrer/annuler). Permet de sélectionner le programme de lavage ou d'annuler le programme lorsque l'appareil fonctionne.

4 Child Lock (verrouillage pour enfants)

Appuyez sur les touches **Delay** (délai) et **Heated Dry** (séchage avec chaleur) pendant 3 secondes. Le voyant s'allumera sur l'écran ACL. Aucune touche ne peut être utilisée lorsque les commandes du lave-vaisselle sont verrouillées. Pour annuler l'option **Child Lock** (verrouillage pour enfants), appuyez sur ces touches pendant 3 secondes, le voyant de verrouillage ne s'affichera plus sur l'écran ACL et les commandes du lave-vaisselle seront déverrouillées.

5 Indicateur de progression du programme

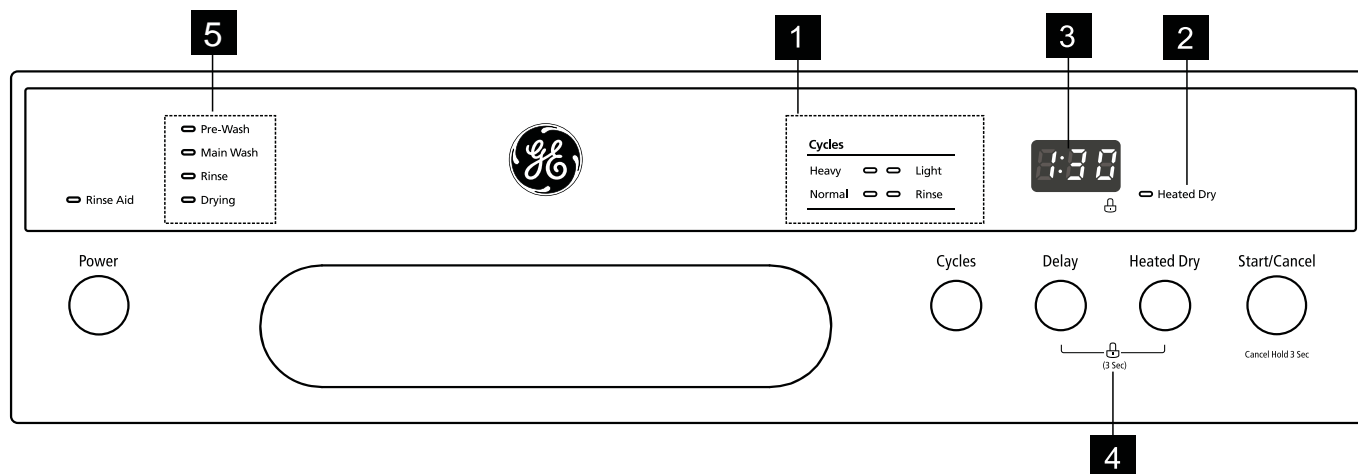
Ces voyants indiquent l'état du lave-vaisselle en cours de fonctionnement.

- Pre-wash
- Main-wash
- Rinse
- Drying

Pre-wash (pré-lavage)	Lorsque le lave-vaisselle est dans la phase de pré-lavage du programme, le voyant Pre-wash s'allume.
Main-wash (lavage principal)	Lorsque le lave-vaisselle est dans la phase de lavage principal du programme, le voyant Main-wash s'allume.
Rinse (rinçage)	Lorsque le lave-vaisselle est dans la phase de rinçage du programme, le voyant Rinse s'allume.
Drying (séchage)	Lorsque le lave-vaisselle est dans la phase de séchage du programme, le voyant Drying s'allume. Ce voyant s'éteint une fois le programme terminé.

Mise en marche

PANNEAU DE COMMANDE - Modèle de la série GBF412



1 Sélections du programme de lavage

Heavy (intensif). Ce programme est destiné au lavage de la vaisselle, des casseroles et des chaudrons difficiles à nettoyer et très sales.

Normal. Il s'agit du programme de lavage standard. Il permet de laver la vaisselle et les ustensiles normalement sales.

Light (éco - léger). Pour les charges de vaisselle légèrement sales, telles que les verres, les articles en cristal et la porcelaine fine.

Rinse (rinçage). Utilisez ce programme pour rincer la vaisselle, les verres et les ustensiles qui ne seront pas lavés tout de suite.

2 Heated Dry (séchage avec chaleur)

Lorsque l'option **Heated Dry** (séchage avec chaleur) est sélectionnée, l'élément chauffant sera activé pendant le séchage.

3 Fonctions

Delay (délai). Pour retarder le début d'un programme sélectionné, appuyez sur la touche **Delay Start** (démarrage différé) jusqu'à ce que le temps de délai souhaité s'affiche sur l'afficheur. Vous pouvez différer le départ d'un programme de 1 à 24 heures. Pour annuler l'option **Delay Start** (démarrage différé) avant la fin du délai, appuyez sur la touche **Start/Cancel** (démarrer/annuler) pendant 3 à 5 secondes.

Afficheur. L'afficheur indique les heures et les minutes qui restent au programme en cours d'exécution, les heures du délai, les codes d'erreur, etc.

Start/Cancel (démarrer/annuler). Permet de sélectionner le programme de lavage ou d'annuler le programme lorsque l'appareil fonctionne.

4 Child Lock (verrouillage pour enfants)

Appuyez sur les touches **Delay** (délai) et **Heated Dry** (séchage avec chaleur) pendant 3 secondes. Le voyant s'allumera sur l'écran ACL. Aucun bouton ne peut être utilisé lorsque les commandes du lave-vaisselle sont verrouillées. Pour annuler l'option **Child Lock** (verrouillage pour enfants), appuyez sur ces touches pendant 3 secondes, le voyant de verrouillage ne s'affichera plus sur l'écran ACL et les commandes du lave-vaisselle seront déverrouillées.

5 Indicateur de progression du programme

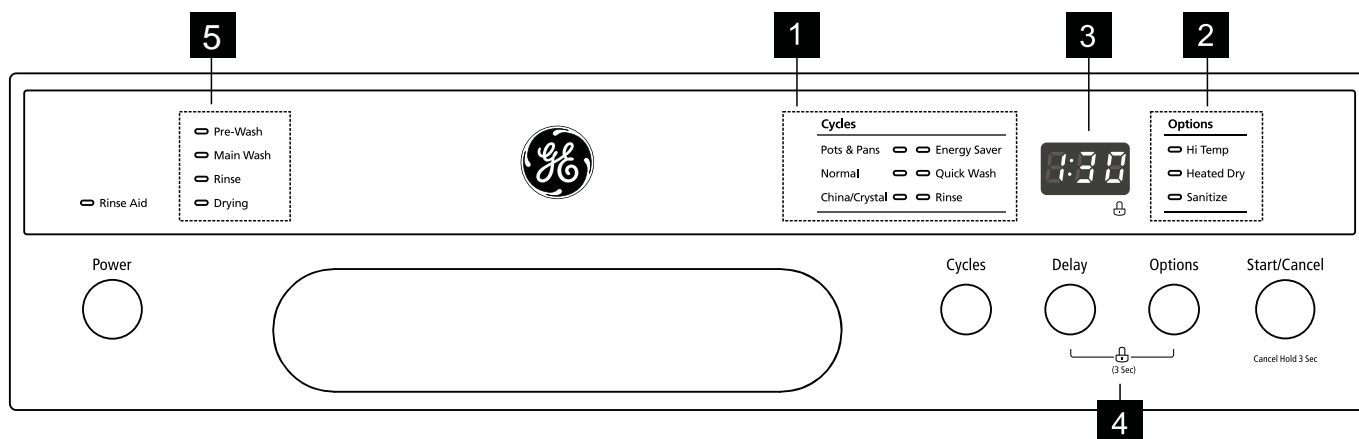
Ces voyants indiquent l'état du lave-vaisselle en cours de fonctionnement.

- Pre-wash
- Main-wash
- Rinse
- Drying

Pre-wash (pré-lavage)	Lorsque le lave-vaisselle est dans la phase de pré-lavage du programme, le voyant Pre-wash s'allume.
Main-wash (lavage principal)	Lorsque le lave-vaisselle est dans la phase de lavage principal du programme, le voyant Main-wash s'allume.
Rinse (rinçage)	Lorsque le lave-vaisselle est dans la phase de rinçage du programme, le voyant Rinse s'allume.
Drying (séchage)	Lorsque le lave-vaisselle est dans la phase de séchage du programme, le voyant Drying s'allume. Ce voyant s'éteint une fois le programme terminé.

Mise en marche

PANNEAU DE COMMANDE - Modèle de la série GBF532



1 Sélections du programme de lavage

Sélectionnez le programme de lavage approprié en fonction du niveau de saleté de votre vaisselle. Après avoir sélectionné un programme, le voyant du programme sélectionné **Cycle On** (programme activé) s'allume. Si vous souhaitez annuler le programme sélectionné, appuyez à nouveau sur la touche du programme sélectionné.

Pots and Pans (casserolles et chaudrons). Ce programme est destiné au lavage de la vaisselle, des casserolles et des chaudrons difficiles à nettoyer et très sales.

Normal. Ce programme permet de laver la vaisselle et les ustensiles normalement sales.

China/Crystal (porcelaine/cristal). Pour les charges de vaisselle légèrement sales, telles que les verres, les articles en cristal et en porcelaine fine.

Energy Saver (économiseur d'énergie). Ce programme permet de nettoyer la vaisselle normalement sale et c'est le programme le plus efficace en termes de consommation combinée d'énergie et d'eau pour ce type de vaisselle.

Quick-Wash (lavage rapide). Un lavage plus court pour la vaisselle peu sale qui n'a pas besoin d'être séché.

Rinse (rinçage). Utilisez ce programme pour rincer la vaisselle, les verres et les ustensiles qui ne seront pas lavés tout de suite.

2 Options

Hi Temp (temp. élevée). Lorsque la fonction de lavage **Hi Temp** (temp. élevée) est sélectionnée, l'eau sera maintenue à une température maximale de 60 °C (140 °F).

Heated Dry (séchage avec chaleur). Lorsque la fonction **Heated Dry** (séchage avec chaleur) est sélectionnée, l'élément chauffant sera activé pendant le séchage.

Sanitize (assainissement). Lorsque la fonction **Sanitize** (assainissement) est sélectionnée, l'eau sera maintenue à une température maximale de 69 °C (156,2 °F). La température maximale peut ne pas être atteinte si la température de l'eau qui alimente le lave-vaisselle n'est pas suffisante. Les lave-vaisselle certifiés pour un usage domestique ne sont pas conçus pour les établissements alimentaires commerciaux.

AVERTISSEMENT : L'option d'assainissement est disponible avec les programmes **Heavy** (intensif), **Normal** et **Light** (léger).

3 Fonctions

Delay (délai). Pour retarder le début d'un programme sélectionné, appuyez sur la touche **Delay Start** (démarrage différé) jusqu'à ce que le temps de délai souhaité s'affiche sur l'afficheur. Vous pouvez différer le départ d'un programme de 1 à 24 heures. Pour annuler l'option **Delay Start** (démarrage différé) avant la fin du délai, appuyez sur la touche **Start/Cancel** (démarrer/annuler) pendant 3 à 5 secondes.

Afficheur. L'afficheur indique les heures et les minutes qui restent au programme en cours d'exécution, les heures du délai, les codes d'erreur, etc.

Start/Cancel (démarrer/annuler). Permet de sélectionner ou d'annuler le programme de lavage lorsque le lave-vaisselle fonctionne.

4 Child Lock (verrouillage pour enfants)

Appuyez sur les touches **Delay** (délai) et **Heated Dry** (séchage avec chaleur) pendant 3 secondes. Le voyant s'allumera sur l'écran ACL. Aucun bouton ne peut être utilisé lorsque les commandes du lave-vaisselle sont verrouillées. Pour annuler l'option **Child Lock** (verrouillage pour enfants), appuyez sur ces touches pendant 3 secondes, le voyant de verrouillage ne s'affichera plus sur l'écran ACL et les commandes du lave-vaisselle seront déverrouillées.

5 Indicateur de progression du programme

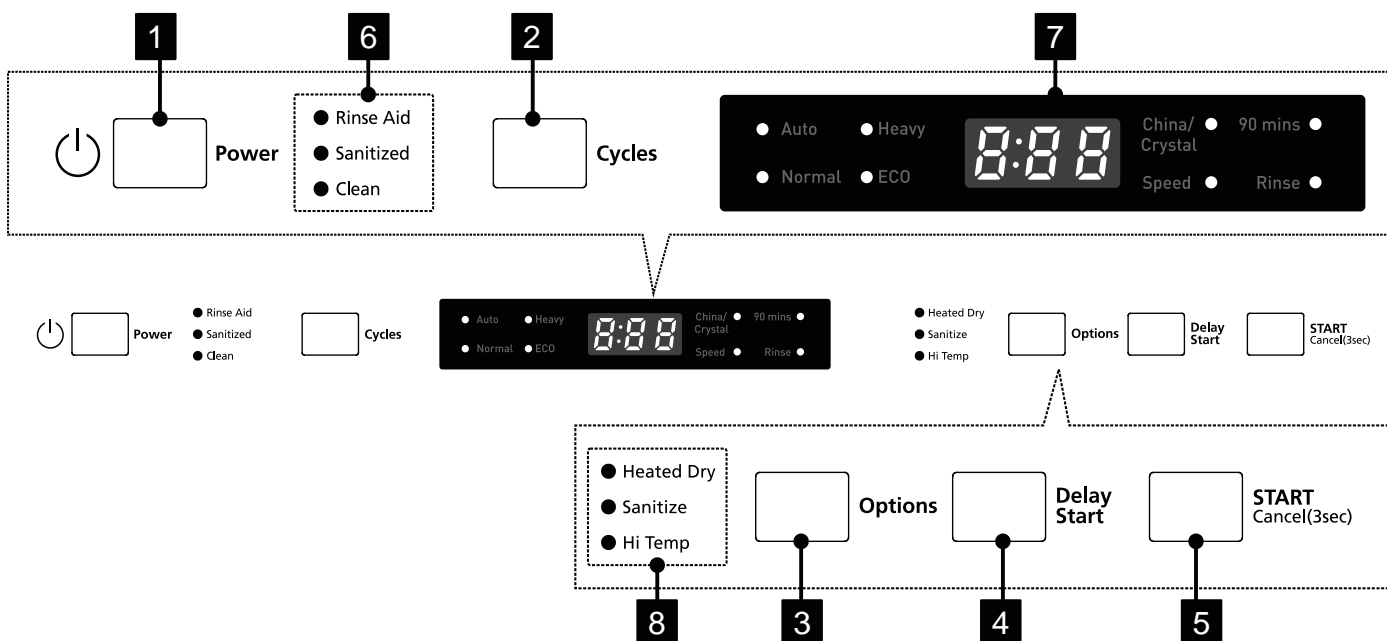
Ces voyants indiquent l'état du lave-vaisselle en cours de fonctionnement.

- Pre-wash
- Main-wash
- Rinse
- Drying

Pre-wash (pré-lavage)	Lorsque le lave-vaisselle est dans la phase de pré-lavage du programme, le voyant Pre-wash s'allume.
Main-wash (lavage principal)	Lorsque le lave-vaisselle est dans la phase de lavage principal du programme, le voyant Main-wash s'allume.
Rinse (rinçage)	Lorsque le lave-vaisselle est dans la phase de rinçage du programme, le voyant Rinse s'allume.
Drying (séchage)	Lorsque le lave-vaisselle est dans la phase de séchage du programme, le voyant Drying s'allume. Ce voyant s'éteint une fois le programme terminé.

Mise en marche

PANNEAU DE COMMANDE - Modèle de la série GBT412/632



1 Touche Power (alimentation)

Permet de mettre sous tension/éteindre le lave-vaisselle.

2 Touche Cycles (programmes)

Permet de sélectionner le programme de lavage.

3 Touche Options

Permet de sélectionner une fonction après avoir choisi un programme.

4 Touche Delay Start (démarrage différé)

Permet de régler l'heure du démarrage différé qui apparaît dans la fenêtre d'affichage (H01 à H24).

5 Touche Start/Cancel (démarrer/annuler)

Permet de sélectionner ou d'interrompre le programme de lavage lorsque le lave-vaisselle fonctionne.

6 Sélections du programme de lavage

Rinse Aid (agent de rinçage). Lorsque les voyants d'indication sont allumés, veuillez remplir le détergent du trou situé sur le distributeur.

Sanitized (assainissement).

Clean (propre).

7 Affichage - Sélections du programme de lavage

Auto. Lavage à capteur automatique, pour la vaisselle légèrement ou très sale, avec ou sans aliments séchés

Heavy (intensif). Ce programme est destiné au lavage de la vaisselle, des casseroles et des chaudrons difficiles à nettoyer et très sales.

Normal. Permet de laver la vaisselle et les ustensiles normalement sales.

ECO. Ce programme permet de nettoyer la vaisselle normalement sale et c'est le programme le plus efficace en termes de consommation combinée d'énergie et d'eau pour ce type de vaisselle.

China/Crystal (porcelaine/cristal). Pour les charges de vaisselle légèrement sales, telles que les verres, les articles en cristal et la porcelaine fine.

90 min. Pour les assiettes et les casseroles légèrement sales nécessitant un lavage rapide.

Speed (rapide). Un lavage plus court pour la vaisselle peu sale qui n'a pas besoin d'être séchée.

Rinse (rinçage). Utilisez ce programme pour rincer la vaisselle, les verres et les ustensiles qui ne seront pas lavés tout de suite.

8 Options

Heated Dry (séchage avec chaleur). Lorsque la fonction Heated Dry (séchage avec chaleur) est sélectionnée, l'élément chauffant sera activé pendant le séchage.

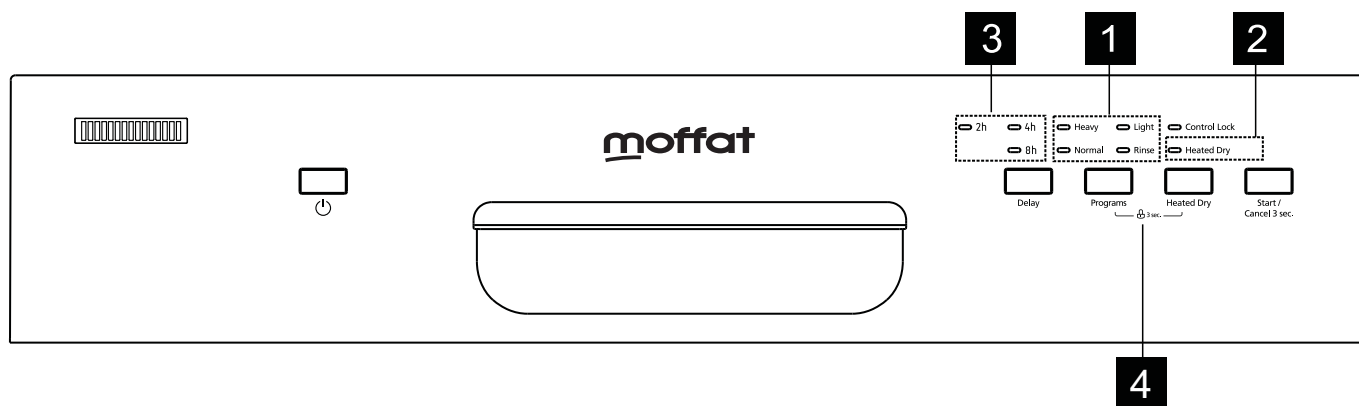
Sanitize (assainissement). Lorsque la fonction Sanitize (assainissement) est sélectionnée, l'eau sera maintenue à une température maximale de 69 °C (156,2 °F). La température maximale peut ne pas être atteinte si la température de l'eau qui alimente le lave-vaisselle n'est pas suffisante. Les lave-vaisselle certifiés pour un usage domestique ne sont pas conçus pour les établissements alimentaires autorisés.

CONSEILS: L'option d'assainissement est disponible avec les programmes de lavage Normal, Heavy (intensif) et Energy (éco-énergétique).

Hi Temp (temp. élevée). Lorsque la fonction de lavage Hi Temp (temp. élevée) est sélectionnée, l'eau sera maintenue à une température maximale de 60 °C (140 °F).

Mise en marche

PANNEAU DE COMMANDE - Modèle de la série MBF422



1 Sélections du programme de lavage

Sélectionnez le programme de lavage approprié en fonction du niveau de saleté de votre vaisselle. Après avoir sélectionné un programme, le voyant du programme sélectionné **Cycle On** (programme activé) s'allume. Si vous souhaitez annuler le programme sélectionné, appuyez à nouveau sur la touche du programme sélectionné.

Heavy (intensif). Ce programme est destiné au lavage de la vaisselle, des casseroles et des chaudrons difficiles à nettoyer et très sales.

Normal. Il s'agit du programme de lavage standard. Il permet de laver la vaisselle et l'argenterie normalement sales.

Light (léger). Ce programme permet de nettoyer la vaisselle normalement sale et c'est le programme le plus efficace en termes de consommation combinée d'énergie et d'eau pour ce type de vaisselle.

Rinse (rinçage). Utilisez ce programme pour rincer la vaisselle, les verres et les ustensiles qui ne seront pas lavés tout de suite.

2 Heated Dry (séchage avec chaleur)

Lorsque la fonction **Heated Dry** (séchage avec chaleur) est sélectionnée, l'élément chauffant sera activé pendant le séchage.

3 Fonctions

Delay (délai). Pour retarder le début d'un programme sélectionné, appuyez sur la touche **Delay Start** (démarrage différé) jusqu'à ce que le temps de délai souhaité s'affiche sur l'afficheur. Vous pouvez différer le départ d'un programme pour seulement 2,4,8 heures. Pour annuler l'option Delay Start (démarrage différé) avant la fin du délai, appuyez sur la touche **Start/Cancel** (démarrer/annuler) pendant 3 à 5 secondes.

Afficheur. L'afficheur indique les heures et les minutes qui restent au programme en cours d'exécution, les heures du délai, les codes d'erreur, etc.

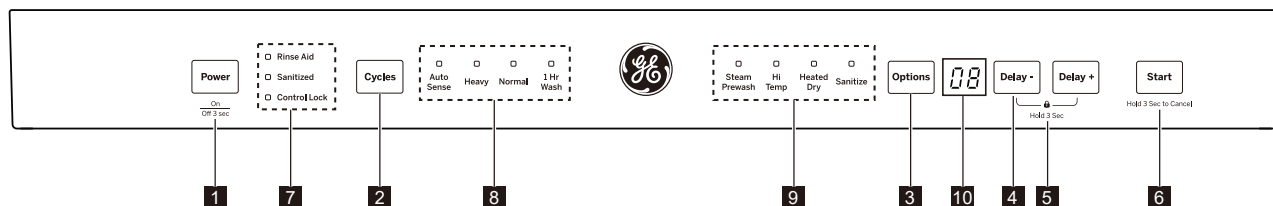
Start/Cancel (démarrer/annuler). Permet de sélectionner le programme de lavage ou d'annuler le programme lorsque l'appareil fonctionne.

4 Child Lock (verrouillage pour enfants)

Appuyez sur les touches **Programs** (programmes) et **Heated Dry** (séchage avec chaleur) pendant 3 secondes. Le voyant s'allumera sur l'écran ACL. Aucune touche ne peut être utilisée lorsque les commandes du lave-vaisselle sont verrouillées. Pour annuler l'option **Child Lock** (verrouillage pour enfants), appuyez sur ces touches pendant 3 secondes, le voyant de verrouillage ne s'affichera plus sur l'écran ACL et les commandes du lave-vaisselle seront déverrouillées.

Mise en marche

PANNEAU DE CONFIGURATION - Modèle GBP420SSPSS/GBP534SSPSS/GBP534SGPWW Séries



1. Touche Power (alimentation)

Appuyez sur ce bouton pour allumer le lave-vaisselle ou maintenez-le enfoncé pendant 3 secondes pour éteindre le lave-vaisselle lorsque la machine est allumée.

2. Touche Cycles (programmes)

Appuyez sur ce bouton pour sélectionner le programme de lavage approprié, l'indicateur correspondant sera allumé.

3. Touche Options

Appuyez sur le bouton pour sélectionner une fonction, l'indicateur correspondant sera allumé.

4. Touche Delay Start (démarrage différé)

Appuyez sur le bouton Delay + pour ajouter le temps de retard ou appuyez sur le bouton Delay- pour diminuer le temps de retard, un maximum de 24 heures de retard peut être défini.

5. Bouton de verrouillage des commandes

Cette option vous permet de verrouiller les boutons du panneau de commande afin que les enfants ne puissent pas déclencher accidentellement le lave-vaisselle en appuyant sur les boutons du panneau. Seul le bouton d'alimentation reste actif. Pour verrouiller ou déverrouiller les boutons du panneau de commande, maintenez enfoncé le bouton Delay + + Delay- pendant 3 secondes simultanément.

6. Touche Start (démarrer/annuler)

Démarrez le programme de lavage ou mettez-le en pause lorsque la machine fonctionne.

7. Sélections du programme de lavage

Produit de rinçage
S'allume lorsque vous devez ajouter du liquide de rinçage.

Désinfecter
S'allume lorsqu'un cycle de désinfection est choisi et que la température atteint 69 °C (156,2 °F). S'éteint après 30 secondes lorsque la porte est ouverte.

Verrouillage des commandes
S'allume lorsque la fonction de verrouillage des commandes est activée.

8. Affichage - Sélections du programme de lavage

Auto
Lavage à détection automatique, vaisselle légèrement ou très sale, avec ou sans aliments séchés

Lourd
Ce cycle est destiné aux plats, casseroles, poêles et plats difficiles à nettoyer et très sales.

Ordinaire
Ce cycle est destiné aux plats ou à l'argenterie régulièrement sales.

Lavage 1 heure
Un lavage plus court pour les charges légèrement sales qui ne nécessitent pas de séchage.

9. Options

Prélavage à la vapeur
À utiliser pour les articles très sales. Cette option ajoute du temps supplémentaire au temps de cycle et est disponible avec les modes Auto, Lourd et Normal.

Chauffée à sec
Lorsque la fonction "Séchage chauffé" est sélectionnée, le chauffe-eau fonctionnera pendant le processus de séchage.

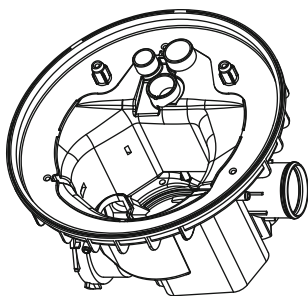
Désinfecter
Lorsque la fonction "Sanitize" est sélectionnée, la température de l'eau sera maintenue à 69 °C (156,2 °F) max. La température maximale peut ne pas être atteinte si la température de l'eau entrante n'est pas correcte. Les lave-vaisselle résidentiels certifiés ne sont pas destinés aux établissements alimentaires agréés.

Haute température
Lorsque la fonction "Hi Temp" est sélectionnée, la température de l'eau sera maintenue à 60 °C (140 °F) max.

10. Écran

Cela affiche les heures et minutes restantes du cycle de fonctionnement, les heures de retard et les codes d'erreur, etc.

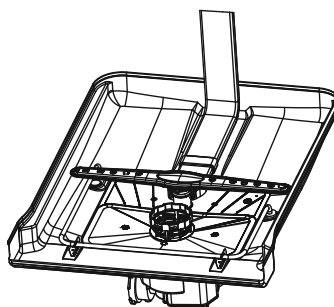
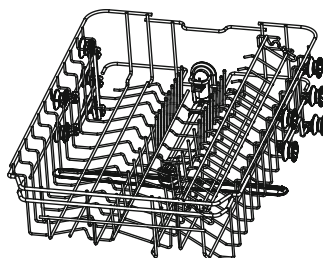
Pour commencer



Système de filtration

Votre lave-vaisselle est équipée d'un **système de filtration** multiple. Ce système est composé de trois filtres à tamis. Il peut séparer l'eau souillée et l'eau propre dans différents compartiments de l'appareil.

Ce système de filtration multiple aide votre lave-vaisselle à obtenir de meilleures performances en utilisant moins d'eau et moins d'énergie.



Système de lavage intelligent

Votre lave-vaisselle est doté d'un **système de lavage intelligent**.

Lorsqu'une charge partielle de vaisselle légèrement sale est placée dans l'appareil, un cycle de lavage similaire à un lavage court sera automatiquement effectué.

Lorsqu'une charge complète de vaisselle très sale est placée dans l'appareil, un cycle de lavage similaire à un lavage intensif sera automatiquement effectué. Ce système peut déterminer le type de programme requis pour nettoyer la vaisselle et la nettoiera plus efficacement chaque fois.

Comment fonctionne votre lave-vaisselle

Votre lave-vaisselle nettoie la vaisselle en pulvérisant un mélange d'eau chaude et de détergent sur les surfaces salies à l'aide de ses bras gicleurs. Le lave-vaisselle se remplit d'eau qui recouvre la zone du filtre. L'eau est ensuite pompée à travers le filtre multiple et les bras gicleurs. Les particules de saletés dégagées de la vaisselle descendent dans le drain lorsque l'eau est pompée et remplacée par de l'eau propre.

Le nombre de remplissages varie en fonction du programme utilisé.

Pour commencer

1. Chargez le lave-vaisselle (voir les sections *Préparation de la vaisselle et chargement*).
2. Ajoutez du détergent (voir la section *Remplir le distributeur de détergent*).
3. Ajoutez un agent de rinçage (voir la section *Remplir le distributeur d'agent de rinçage*).
4. Fermez la porte du lave-vaisselle.
5. Appuyez sur la touche **Power** (alimentation), puis sélectionnez le **programme** de lavage souhaité (voir le **tableau des programmes**).
6. Sélectionnez l'**option** souhaitée (voir *Panneau de commande*). Le voyant au-dessus de l'option s'allume lorsqu'elle est sélectionnée.
7. Ouvrez le robinet d'eau chaude situé le plus près du lave-vaisselle, puis laissez couler l'eau jusqu'à ce qu'elle soit chaude, puis fermez le robinet.
8. Pour commencer, appuyez sur **Start / Cancel** (voir *Panneau de configuration*) et fermez la porte dans les quatre secondes.

Remarque : Votre lave-vaisselle est équipé de commandes situées à l'avant de la porte. La porte doit d'abord être fermée si vous souhaitez utiliser l'appareil.

Sélections du programme de lavage

Le temps des programmes de lavage sont approximatifs et varient en fonction des options sélectionnées. De l'eau chaude est nécessaire pour activer le détergent et faire fondre les aliments gras. Un capteur automatique vérifie la température de l'eau entrante. Si elle n'est pas à la température appropriée, la minuterie retardera le programme de lavage pour permettre le chauffage automatique de l'eau pendant le lavage principal.

Lorsque l'option **Hi-Temp** (temp. élevée) est sélectionnée, une température encore plus élevée sera atteinte pour permettre de nettoyer des charges de vaisselle très sales.

Chargement

Préparation de la vaisselle

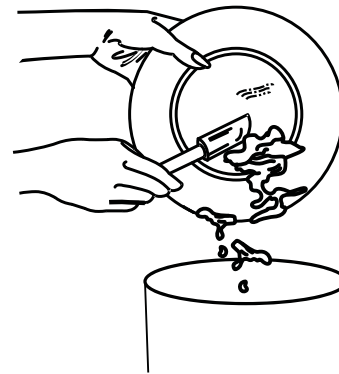
Enlevez les gros morceaux de nourriture, les os, les noyaux, les cure-dents, etc.

Le système de filtration en continu permettra d'enlever les particules alimentaires restantes. Les aliments brûlés doivent être décollés avant le chargement. Videz les verres et les tasses de leur liquide.

Les aliments comme la moutarde, la mayonnaise, le vinaigre, le jus de citron et les produits à base de tomates peuvent causer une décoloration de l'acier inoxydable et des plastiques si on les laisse dans le lave-vaisselle pendant une période prolongée.

À moins que le lave-vaisselle ne soit utilisé immédiatement, il est préférable de rincer ces aliments.

Si le lave-vaisselle se draine dans un broyeur d'aliments, assurez-vous que le broyeur est complètement vide avant de démarrer le lave-vaisselle.



Chargement du panier supérieur

Le panier supérieur est conçu pour les tasses, les verres, les petites assiettes, les bols et les articles en plastique pouvant aller au lave-vaisselle, etc.

Pour de meilleurs résultats de lavage, placez les bols, les tasses, les verres, les casseroles en plaçant la surface souillée vers le bas ou vers le centre. Inclinez légèrement ces articles pour un meilleur écoulement de l'eau.

Chargement du panier inférieur

Le panier inférieur est conçu pour charger les assiettes, les bols à soupe, les soucoupes et les ustensiles de cuisine. La hauteur ajustable du panier vous permettra de charger des articles d'une hauteur maximale de 11 po (27,9 cm).

Les supports rabattables du panier inférieur facilitent le chargement des articles surdimensionnés et difficiles à placer. Ces supports peuvent être laissés levés pour une utilisation normale ou rabattus pour un chargement plus polyvalent. Rabattez-les pour obtenir plus d'espace pour le lavage de chaudières ou de casseroles de grandes dimensions.



Assurez-vous que la vaisselle chargée n'interfère pas avec la rotation du bras gicleur intermédiaire situé sous le panier supérieur.

(Vous pouvez le vérifier en tournant le bras gicleur intermédiaire à la main.)



Les gros articles doivent être placés le long des côtés du lave-vaisselle afin qu'ils n'interfèrent pas avec la rotation du bras gicleur intermédiaire. Assurez-vous qu'ils n'empêchent pas l'ouverture du distributeur de détergent.

Les gros articles doivent être tournés de manière à ce que l'intérieur soit orienté vers le bas. Assurez-vous que ces articles n'interfèrent pas avec la rotation du bras gicleur inférieur.

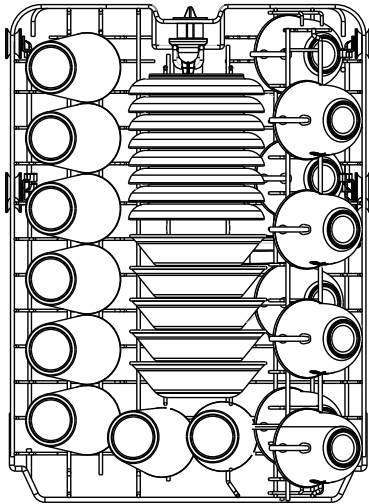
Chargement

Chargement du panier inférieur

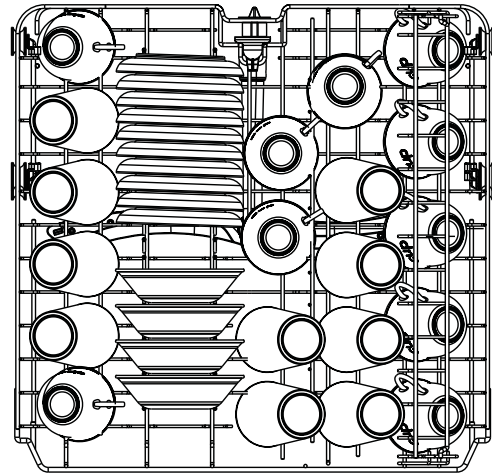
Le panier inférieur a été spécialement conçu pour les assiettes, les bols à soupe, les chaudrons, les couvercles et les casseroles.

Chargez de grands articles tels que les casseroles et les chaudrons dans le lave-vaisselle de façon à ce que leur ouverture soit orientée vers le bas. Nous vous recommandons de charger les tasses, les verres à pied et les petites assiettes dans le panier supérieur.

Reportez-vous à la disposition recommandée ci-dessous).



8 couverts - Série GBF180 seulement



10 couverts

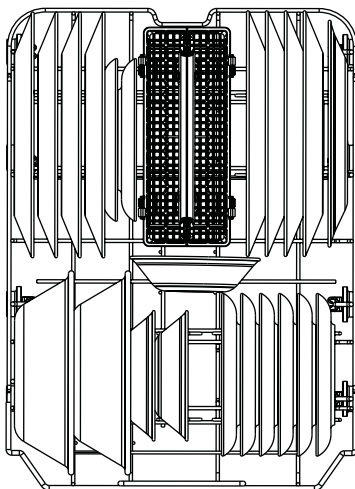
Chargement du panier supérieur

Le panier supérieur est conçu pour les petites assiettes, les tasses, les verres et les articles en plastique pouvant aller au lave-vaisselle. Chargez vos assiettes dans le lave-vaisselle en deux demi-rangées, de sorte que l'avant de chaque assiette soit face à l'arrière de l'assiette placée devant elle et les côtés ouverts des assiettes dirigés vers le centre du lave-vaisselle et se faisant face.

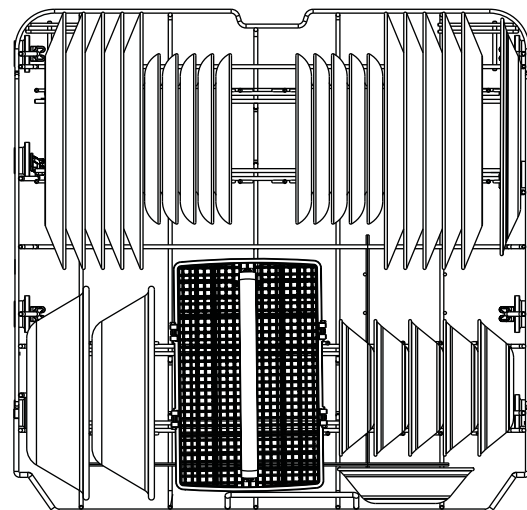
Voir les illustrations ci-dessous.

Assurez-vous que la vaisselle chargée n'interfère pas avec la rotation du bras gicleur situé sous le panier supérieur. (Vous pouvez le vérifier en tournant le bras gicleur à la main.)

Lorsque vous chargez la vaisselle, retirez suffisamment le panier supérieur pour pouvoir le charger sans heurter le comptoir.



8 couverts - Série GBF180 seulement

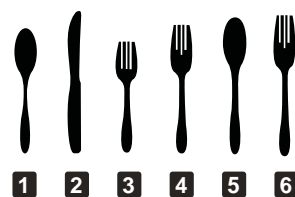


10 couverts

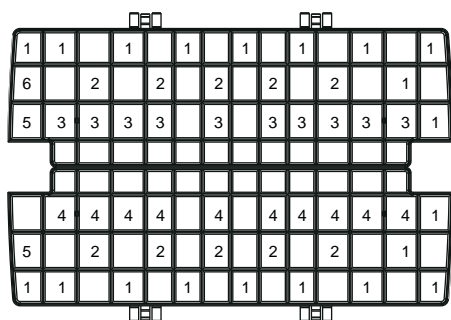
Chargement

Chargement du panier à ustensiles

Le panier à ustensiles peut être divisé en trois modules distincts qui peuvent être utilisés dans les paniers supérieurs et inférieurs.

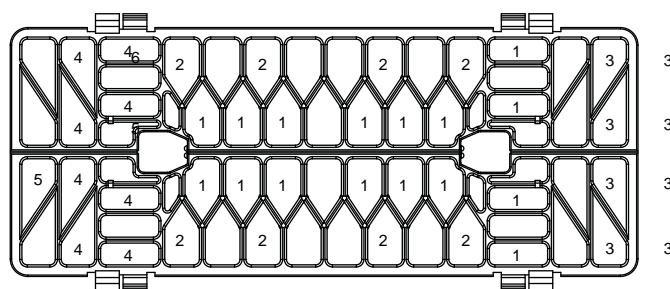


1. Cuillères
2. Couteaux
3. Fourchettes à salade
4. Fourchettes
5. Grandes cuillères
6. Grandes fourchettes



→ Dans

Compartiments pour les modèles à 10 couverts



→ Dans

Compartiments pour les modèles à 8 couverts



AVERTISSEMENT

1. Ne laissez pas d'articles dépasser par le bas.
2. Assurez-vous que rien ne dépasse du fond du compartiment à ustensiles ou du panier et ne vienne bloquer le bras gicleur inférieur.

Ajouter de la vaisselle

Pour ajouter ou enlever des articles après le début d'un programme de lavage :

1. Ouvrez légèrement la porte et attendez quelques secondes jusqu'à l'arrêt de l'activité de lavage avant de l'ouvrir complètement.
2. Ajoutez l'article.
3. Refermez la porte fermement pour la verrouiller dans les 4 secondes suivantes, puis le programme reprendra automatiquement.



ATTENTION POUR ÉVITER DE VOUS BRÛLER :

Ouvrez légèrement la porte et attendez que les bras gicleurs et que le programme de lavage s'arrêtent. De l'eau chaude peut sortir du lave-vaisselle. Ignorer cette consigne de sécurité pourrait causer de graves blessures.

Remplir le distributeur d'agent de rinçage

L'agent de rinçage améliore grandement le séchage et réduit les taches d'eau et le pelliculage sur la vaisselle.

Sans agent de rinçage, la vaisselle et l'intérieur du lave-vaisselle présenteront une humidité excessive.

L'option de **séchage avec chaleur** ne fonctionnera pas aussi bien sans produit de rinçage. Le distributeur d'agent de rinçage, situé à côté du distributeur de détergent, libère automatiquement une quantité mesurée d'agent de rinçage lors du dernier rinçage.

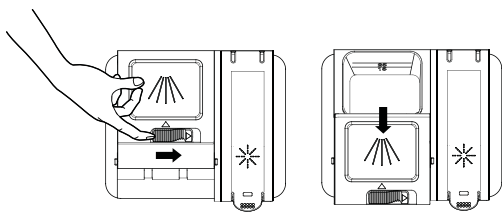
Si le niveau d'agent de rinçage est bas, le voyant de l'**agent de rinçage** s'allume au début et à la fin du programme pour vous indiquer qu'il est temps de le remplir.



Votre lave-vaisselle a été conçu pour utiliser un agent de rinçage liquide.

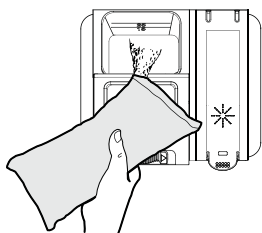
L'utilisation d'un agent de rinçage améliore grandement les performances de séchage après le rinçage final. N'utilisez pas d'agent de rinçage solide ou en pain. Dans des conditions normales, une charge d'agent de rinçage suffira pour environ un mois. Essayez de garder le distributeur d'agent de rinçage plein, sans trop le remplir.

Distributeurs

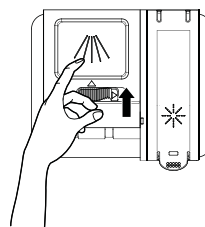


1. Ouvrez le couvercle du distributeur de détergent en appuyant sur le loquet de dégagement du distributeur.

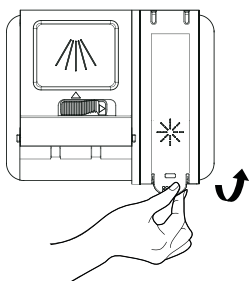
REMARQUE : Le couvercle est toujours ouvert à la fin d'un programme de lavage.



2. Ajoutez la quantité de détergent recommandée dans le compartiment de détergent de lavage principal.



3. Refermez le couvercle, puis appuyez dessus.



Remplir le distributeur d'agent de rinçage

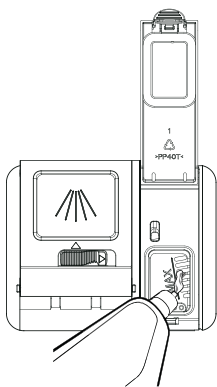
Votre lave-vaisselle a été conçu pour utiliser un agent de rinçage liquide uniquement. Utiliser un agent de rinçage en poudre obstruera l'ouverture du distributeur et entraînera un mauvais fonctionnement du lave-vaisselle.

L'agent de rinçage améliore les performances de séchage du lave-vaisselle.



N'ajoutez pas de détergent ordinaire dans le réservoir de produit de rinçage.

1. Retirez le bouchon du réservoir de l'agent de rinçage en le tournant dans le sens inverse des aiguilles d'une montre.



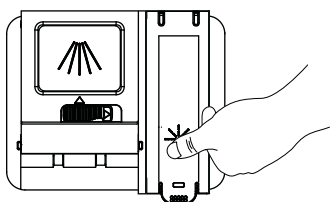
2. Remplissez le réservoir avec un agent de rinçage.

REMARQUE : Utilisez la fenêtre de visualisation lorsque vous remplissez le réservoir de produit de rinçage.



Ne remplissez pas le réservoir au-dessus de l'indicateur de niveau maximal.

L'excédent d'agent de rinçage peut s'écouler pendant le programme de lavage.



3. Refermez le bouchon du réservoir d'agent de rinçage en le tournant dans le sens des aiguilles d'une montre.

Entretien et nettoyage

Gardez votre lave-vaisselle propre pour améliorer ses performances, réduire les réparations inutiles et prolonger sa durée de vie.

Nettoyage de l'extérieur

Il est préférable de nettoyer les déversements à l'extérieur de votre lave-vaisselle lorsqu'ils se produisent. Utilisez un chiffon doux et humide sur le panneau de commande pour essuyer délicatement les éclaboussures et la poussière. N'utilisez pas de benzène, de cire, de solvant, d'agent de blanchiment ni d'alcool.

Ces matières peuvent décolorer les parois internes et laisser des taches. Ne nettoyez pas le lave-vaisselle en l'aspergeant d'eau et évitez de laisser de l'eau entrer en contact avec les composants électriques.

REMARQUE : Si votre lave-vaisselle est muni d'un panneau de porte en acier inoxydable, vous pouvez le nettoyer avec un nettoyant d'acier inoxydable pour appareils électroménagers ou un produit similaire à l'aide d'un chiffon doux et propre.

Nettoyage de l'intérieur

Nettoyez périodiquement l'intérieur de votre lave-vaisselle pour enlever toute saleté ou particule de nourriture. Essuyez l'intérieur du lave-vaisselle et la partie intérieure de la porte avec un chiffon humide. Nous vous recommandons de remplir le distributeur de détergent avec un détergent à vaisselle, puis de faire fonctionner le lave-vaisselle périodiquement en utilisant le programme **Normal** ou **Express 60** avec l'option **Sanitize** (assainissement). Cela vous permettra de garder votre lave-vaisselle propre.

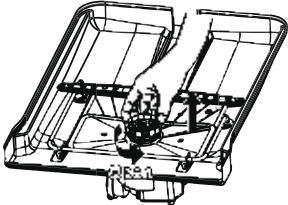
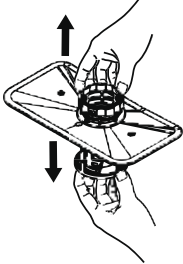
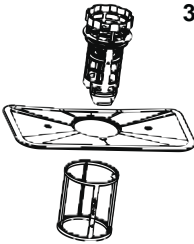
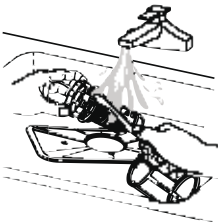
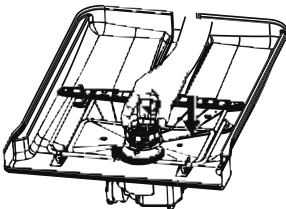
Si des taches blanches et des odeurs sont toujours présentes dans votre lave-vaisselle, exécutez le programme de lavage **Normal** le lave-vaisselle vide et sans détergent jusqu'à ce qu'il se vide de son eau. Ensuite, interrompez le programme et placez une tasse (8 onces) de vinaigre blanc dans le panier inférieur. Refermez la porte et laissez le lave-vaisselle finir son programme.




Ne retirez pas le joint avant de la cuve (le long joint en caoutchouc entourant l'ouverture du lave-vaisselle).



Ne touchez pas à l'ÉLÉMENT CHAUFFANT pendant le fonctionnement du lave-vaisselle ou immédiatement après.

1. Éteignez le lave-vaisselle. 
2. Tournez le filtre, insérez-le dans le sens inverse des aiguilles d'une montre pour le débloquer, puis retirez l'élément filtrant. 
3. Retirez le filtre fin (plat, rectangulaire). 
4. Enlevez toute saleté ou autre résidu des filtres, puis rincez-les à l'eau courante. 
5. Remplacez les filtres dans l'ordre inverse du démontage, remplacez l'élément filtrant et tournez dans le sens des aiguilles d'une montre jusqu'à la flèche de verrouillage. 

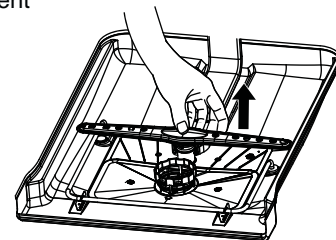
ATTENTION : Si l'élément filtrant n'est pas correctement fermé, ses performances seront diminuées. 

Nettoyage des bras gicleurs

Si votre lave-vaisselle ne semble pas nettoyer correctement ou si les orifices des bras gicleurs semblent bouchés, vous pouvez nettoyer chacun de ces orifices. Si vous retirez les bras gicleurs, faites-le avec soin, car ils pourraient se casser.

Bras gicleur inférieur

1. Vérifiez si les orifices du bras gicleur sont obstrués par des particules de nourriture.
2. Si un nettoyage est nécessaire, retirez le bras gicleur en le tirant vers le haut.
3. Nettoyez le bras gicleur, puis remettez-le en place.
4. Vérifiez que le bras gicleur est bien fixé en le faisant tourner à la main.



Conseils de dépannage ... Avant de contacter le service de dépannage

Problème	Causes possibles	Correctifs
Le voyant d'état de démarrage clignote (sur certains modèles)	La porte a été ouverte ou le programme a été interrompu.	Appuyez sur la touche Start (démarrer) une fois, puis fermez la porte dans les 4 secondes suivantes pour démarrer le lave-vaisselle.
Le lave-vaisselle fait entendre un signal sonore (BIP) toutes les minutes (sur certains modèles)	Ce signal vous rappelle que vous avez ouvert la porte du lave-vaisselle pendant son fonctionnement. Le signal se fera entendre jusqu'à ce que vous fermiez la porte et appuyiez sur Start (démarrer).	Appuyez sur Start (démarrer) et fermez la porte.
Un signal sonore se fait entendre à la fin du programme (sur certains modèles)	Cela est normal. Le lave-vaisselle émettra deux bips à la fin du programme.	Pour désactiver l'indicateur à double bip (ou pour le réactiver s'il a été précédemment désactivé), appuyez 5 fois sur la touche Heated Dry (séchage avec chaleur) dans les 3 secondes. Trois bips seront émis pour indiquer que l'option d'un signal sonore à la fin de programme a été activée ou désactivée.
La vaisselle et les ustensiles ne sont pas propres	Le filtre ultra-fin ou le filtre fin est bouché.	Reportez-vous à la section Entretien et nettoyage .
	La température de l'eau d'arrivée est trop basse.	Assurez-vous que la température de l'eau qui alimente le lave-vaisselle est correcte (voir la section UTILISATION DU LAVE-VAISSELLE). Ouvrez le robinet d'eau chaude situé le plus près du lave-vaisselle, puis laissez couler l'eau jusqu'à ce que la température cesse de monter. Ensuite, mettez le lave-vaisselle en marche et fermez le robinet. Vous aurez ainsi la certitude que l'eau qui alimente le lave-vaisselle est chaude. Sélectionnez l'option Wash Temp Boost (augmenter la temp. de lavage) si elle est disponible.
	La pression d'eau est temporairement faible.	Ouvrez un robinet. L'eau s'écoule-t-elle plus lentement que d'habitude? Si oui, attendez que la pression redevienne normale avant d'utiliser le lave-vaisselle. La pression d'eau normale au lave-vaisselle doit se situer entre 20 lb/po ² (138 kPa) et 120 lb/po ² (827 kPa).
	Coupure antirefoulement ou broyeur à déchets obstrué.	Nettoyez la coupure antirefoulement ou rincez le broyeur à déchets.
	La boucle de drainage supérieure ou la coupure antirefoulement n'est pas installée.	Reportez-vous aux instructions d'installation pour l'installation du tuyau d'évacuation adéquat.
	Mauvaise disposition des articles à laver dans le panier.	Assurez-vous que les grands plats ne gênent pas les bras de lavage ni les distributeurs de détergent. Voir la section Chargement . Lorsque de grands ustensiles sont placés dans le panier à couverts, n'installez pas le panier sur la porte (sur certains modèles). Au lieu de cela, installez le panier sur le support inférieur.
	Détergent donnant de mauvais résultats de lavage.	Utilisez un détergent hautement coté tel que le détergent pour lave-vaisselle Finish^{MD} Quantum^{MD} .
Tâches et dépôts sur les verres et les ustensiles	Eau extrêmement dure.	Ajoutez un agent de rinçage tel que l' agent de rinçage Finish^{MD} Jet-Dry^{MD} pour empêcher la formation de tâches et de pellicule. Si l'eau est très dure, un adoucisseur peut s'avérer nécessaire.
	La température de l'eau d'arrivée est trop basse.	Vérifiez que la température de l'eau est à au moins 120 °F (49 °C).
	Le lave-vaisselle est mal ou trop chargé.	Placez la vaisselle dans le lave-vaisselle comme indiqué dans la section Chargement .
	Détergent en poudre vieux ou humide.	Assurez-vous que le détergent est récent. Utilisez un détergent hautement coté tel que le détergent pour lave-vaisselle Finish^{MD} Quantum^{MD} .
	Le distributeur d'agent de rinçage est vide.	Remplissez-le avec un agent de rinçage tel que l' agent de rinçage Finish^{MD} Jet-Dry^{MD} .
	Trop peu de détergent ou détergent donnant de mauvais résultats.	Assurez-vous d'utiliser une quantité adéquate de détergent reconnu.
Voile sur la verrerie	Combinaison d'une eau trop douce et de trop de détergent.	Ce voile est appelé « gravure chimique » et est permanent. Pour éviter ce phénomène, utilisez moins de détergent si vous avez de l'eau douce. Choisissez le programme le plus court pour laver vos verres.
	Détergent sans phosphate peu performant.	Voir Il y a une pellicule blanche sur la verrerie, la vaisselle et l'intérieur du lave-vaisselle plus bas dans la section CONSEILS DE DÉPANNAGE .
	La température de l'eau entrant dans le lave-vaisselle dépasse 150 °F (66 °C).	Cela pourrait être de la « gravure chimique ». Abaissez la température du chauffe-eau.

Conseils de dépannage ... Avant de contacter le service de dépannage

Problème	Causes possibles	Correctifs
Mousse dans la cuve	Mauvais détergent.	N'utilisez que des détergents pour lave-vaisselle afin d'éviter la formation de mousse. L'utilisation du détergent pour lave-vaisselle Finish^{MD} Quantum^{MD} est approuvée dans tous les lave-vaisselle d'Électroménagers GE. Pour enlever la mousse de la cuve, ouvrez le lave-vaisselle et laissez la mousse s'évaporer. Videz l'eau du lave-vaisselle en appuyant sur Start (démarrer) et fermez la porte. Attendez 30 secondes. Ouvrez la porte, appuyez sur la touche Start (démarrer) pendant 3 secondes, puis fermez la porte. Répétez au besoin.
	Renversement d'agent de rinçage.	Nettoyez toujours immédiatement les déversements d'agent de rinçage.
Il reste du détergent dans les compartiments du distributeur de détergent	La vaisselle ou des ustensiles bloquent l'accès au compartiment à détergent.	Repositionnez la vaisselle afin que l'eau du bras gicleur inférieur puisse rincer le distributeur de détergent. Voir la section Chargement . Repositionnez les ustensiles longs ou les articles lourds en argenterie susceptibles de bloquer l'ouverture du couvercle du distributeur. Voir la section Chargement .
Présence de marques noires ou grises sur la vaisselle	Des ustensiles en aluminium ont frotté contre la vaisselle.	Faites disparaître ces marques avec un nettoyant doux et abrasif.
La vaisselle ne sèche pas	La température de l'eau d'arrivée est trop basse.	Assurez-vous que la température de l'eau est à au moins 120 °F (49 °C). Sélectionnez l'option Heated Dry (séchage avec chaleur) ou Dry Boost (séchage rapide). Utilisez l'option Wash Temp Boost (temp. de lavage augmentée)
	Le distributeur d'agent de rinçage est vide.	Vérifiez le distributeur d'agent de rinçage et ajoutez de l'agent de rinçage au besoin.
	Un temps de séchage supplémentaire est nécessaire.	Laissez la porte fermée après que le voyant Clean (propre) s'affiche pour permettre au ventilateur de fonctionner pendant 90 minutes supplémentaires (sur certains modèles). Remarque : Si vous ouvrez la porte, ce fonctionnement prolongé du ventilateur sera annulé.
	Sélection de programme.	Si vous utilisez le programme de lavage Light (léger) qui fait appel à une température d'eau moins élevée et qui procure donc un rendement de séchage limité, passez à un programme différent.
	Fin du programme.	Laissez les programmes se terminer complètement. Reportez-vous à la rubrique Longue durée du programme dans la section CONSEILS DE DÉPANNAGE .
Longue durée du programme	Le lave-vaisselle fonctionne en utilisant en alternance le bras gicleur du milieu et le bras gicleur inférieur.	Les programmes de longue durée sont normaux. Pour une meilleure performance de lavage et de séchage, laissez le programme se terminer.
	Niveau de saleté.	Le capteur de turbidité détecte la quantité de saleté sur la vaisselle. Les charges de vaisselle très sale prolongeront le temps de lavage. Cela est normal. Pour une meilleure performance de lavage et de séchage, laissez le programme se terminer.
Le panneau de commande a réagi aux entrées, mais le lave-vaisselle ne s'est jamais rempli d'eau	La porte n'est peut-être pas complètement fermée.	Assurez-vous que la porte soit bien fermée.
	Le robinet d'eau est peut-être fermé.	Assurez-vous que le robinet de l'entrée d'eau (généralement située sous l'évier) est ouvert.
	Le flotteur anti-inondation peut être coincé.	Retirez le filtre ultra-fin et tapotez légèrement la pièce située sous le filtre qui ressemble à une saalière. Remplacez le filtre.

Conseils de dépannage ... Avant de contacter le service de dépannage

Problème	Causes possibles	Correctifs
L'intérieur du lave-vaisselle est taché	Certains aliments à base de tomates peuvent causer des taches rougeâtres.	L'utilisation du programme Steam Sani (assainissement à la vapeur) (sur certains modèles) après avoir ajouté la vaisselle dans l'appareil peut diminuer le niveau de coloration.
	Taches de thé ou de café	Enlevez les taches à la main avec une solution de 1/2 tasse (120 ml) d'eau de Javel ajoutée à 3 tasses (720 ml) d'eau tiède. REMARQUE : N'utilisez pas d'eau de Javel sur la porte intérieure en acier inoxydable. ⚠ ATTENTION Avant de nettoyer l'intérieur du lave-vaisselle, attendez au moins 20 minutes après la fin du programme de lavage pour laisser le temps aux éléments chauffants de refroidir. Le non-respect de cette consigne peut entraîner des brûlures.
	Des dépôts de fer dans l'eau peuvent entraîner la formation d'une pellicule jaune ou brune à l'intérieur du lave-vaisselle.	L'installation d'un filtre spécial dans la conduite d'alimentation en eau est le seul moyen de corriger ce problème. Pour plus de détails, contactez une entreprise d'adoucisseur d'eau.
	Les minéraux contenus dans l'eau dure ont formé une pellicule blanche sur la surface intérieure.	Électroménagers GE recommande l'utilisation de l' agent de rinçage Finish^{MD} Jet-Dry^{MD} pour empêcher la formation de dépôts minéraux causée par l'eau dure. Faites fonctionner le lave-vaisselle en y versant de l'acide citrique pour éliminer les dépôts de minéraux. Vous pouvez commander de l'acide citrique (numéro de pièce : WD35X151) au service des pièces d'Électroménagers GE. Voir la couverture arrière pour plus de détails sur les commandes. Sinon, achetez du détergent pour lave-vaisselle Finish^{MD} et suivez les instructions de l'étiquette.
Le lave-vaisselle ne fonctionne pas	Le fusible a sauté ou le disjoncteur a été déclenché.	Remplacez le fusible ou réinitialisez le disjoncteur. Débranchez tous les autres appareils du circuit.
	L'alimentation électrique est coupée.	Dans certaines installations, l'alimentation électrique du lave-vaisselle est commandée par un interrupteur mural, souvent placé à côté de l'interrupteur du broyeur à déchets. Assurez-vous qu'il est en position de marche (ON).
	Les commandes sont verrouillées.	Déverrouillez le panneau de commande. Voir la section Mise en marche .
Les voyants du panneau de commande s'éteignent lorsque vous réglez les commandes	Délais trop longs entre le choix des touches.	Un délai maximal de 30 secondes est accordé entre chaque touche. Pour allumer de nouveau les voyants du panneau de commande, appuyez sur n'importe quelle touche ou ouvrez la porte et déverrouillez (modèle à commande supérieure).
Il reste de l'eau au fond de la cuve	La coupure antirefoulement est bouchée.	Nettoyez la coupure antirefoulement. Reportez-vous à la section ENTRETIEN ET NETTOYAGE .
	La boucle de drainage supérieure ou la coupure antirefoulement n'est pas installée.	Reportez-vous aux instructions d'installation pour l'installation du tuyau d'évacuation adéquat.
L'eau n'est pas drainée hors de la cuve	Le renvoi est bouché.	Si votre système est doté d'une coupure antirefoulement, nettoyez-la. Reportez-vous à la section ENTRETIEN ET NETTOYAGE . Si le lave-vaisselle se vide dans un broyeur, faites fonctionner le broyeur. Vérifiez si votre évier de cuisine est bien drainé. S'il ne se vide pas correctement, vous aurez peut-être besoin d'un plombier.

Conseils de dépannage ... Avant de contacter le service de dépannage

Problème	Causes possibles	Correctifs
Présence de vapeur	Cela est normal.	De la vapeur s'échappe de l'événement pendant le lavage, le séchage et la vidange de l'eau. Elle est nécessaire pour le séchage.
Le voyant Sanitized (assainissement) ou Cycle Sanitized (programme avec assainissement) ne s'allume pas à la fin du programme.	Vous avez ouvert la porte et le programme a été interrompu pendant la phase de rinçage final.	Il ne faut pas interrompre le programme pendant ou après la phase de lavage principal.
	La température de l'eau qui alimente le lave-vaisselle est trop basse.	Augmentez la température du chauffe-eau entre 120 °F (49 °C) et 150 °F (66 °C)
Bruit	Bruits de fonctionnement normaux : Signal sonore à la fin du programme (sur certains modèles). Ouverture du distributeur à détergent. Eau entrant dans le lave-vaisselle. Le moteur s'arrête et démarre à différents moments pendant le programme de lavage. Les bras gicleurs tournent et s'arrêtent à différents moments. La pompe de vidange émet un bruit pendant la vidange. La pompe de vidange démarre et s'arrête plusieurs fois lors de chaque vidange.	Tous ces bruits sont normaux. Aucun correctif n'est requis.
	Bruit causé par la vaisselle lorsque le bras gicleur tourne.	Assurez-vous que la vaisselle est bien placée dans les paniers. Voir la section Chargement .
	Les ustensiles frottent bruyamment contre la porte pendant le lavage.	Les ustensiles de grande taille peuvent être placés dans le panier supérieur pour éviter qu'ils ne percutent contre la porte intérieure durant le programme de lavage.
Une pellicule blanche apparaît sur la verrerie, la vaisselle et les surfaces internes du lave-vaisselle	Ce problème est probablement causé par un détergent pour lave-vaisselle de mauvaise qualité et sans phosphate.	Pour éliminer cette pellicule blanche, faites fonctionner votre lave-vaisselle avec de l'acide citrique. Utilisez le détergent pour lave-vaisselle Finish^{MD} que vous pouvez trouver dans une épicerie de votre région. Versez l'acide citrique dans le compartiment de détergent et fermez le couvercle. Placez la verrerie et la vaisselle propres mais recouvertes de la pellicule blanche dans le lave-vaisselle. Laissez l'argenterie et les autres articles en métal hors du lave-vaisselle. Démarrez le lave-vaisselle et laissez-le fonctionner pendant un programme complet sans détergent. Cette procédure devrait permettre d'éliminer la pellicule blanche qui se trouve sur la verrerie, la vaisselle et le lave-vaisselle. Un rinçage au vinaigre peut également être utilisé. Versez 1 tasse (240 ml) de vinaigre dans le lave-vaisselle juste après l'ouverture du distributeur de détergent et laissez le lave-vaisselle terminer son programme. Cette procédure peut être répétée plusieurs fois par année si nécessaire. L'utilisation d'un produit de rinçage comme l' agent de rinçage Finish^{MD} Jet-Dry^{MD} peut aider à minimiser la formation de cette pellicule. De plus, utilisez un détergent reconnu comme le détergent pour lave-vaisselle Finish^{MD} Quantum^{MD} qui peut éviter la formation de cette pellicule.

Garantie d'Électroménagers GE

GARANTIE

electromenagersge.ca

Toutes les réparations sous garantie sont effectuées par nos Centres de réparation ou par nos réparateurs agréés Customer Care®. Pour planifier une réparation en ligne, visitez le <http://www.electromenagersge.ca/fr/soutien/demande-de-service> ou appelez au 1-800-561-3344. Veuillez avoir les numéros de série et de modèle de votre appareil à portée de main lorsque vous appelez pour obtenir un service.

La réparation de votre appareil peut nécessiter l'utilisation d'un accès embarqué aux données pour déterminer le diagnostic. Cela permet à un technicien de réparation d'Électroménagers GE de diagnostiquer rapidement tout problème avec votre appareil, et aide Électroménagers GE à améliorer ses produits en lui fournissant de l'information sur votre appareil. Si vous ne voulez pas que les données de votre appareil soient transmises à Électroménagers GE, veuillez aviser le technicien de ne pas transmettre de données à Électroménagers GE au moment de la réparation.

Pendant une période de	MC Commercial Inc. remplacera
Un an À compter de la date d'achat d'origine	Toute pièce du lave-vaisselle tombée en panne à la suite d'un vice de matériau ou de fabrication. Au cours de cette garantie limitée d'un an , MC Commercial Inc. fournira également, sans frais , toute la main-d'œuvre pour le remplacement de la pièce défectueuse à domicile.

Agrafez votre facture ici: Une preuve de la date d'achat d'origine est requise pour obtenir des services sous garantie.

Ce que MC Commercial Inc. ne couvre pas (pour les consommateurs du Canada) :

- Toute visite à votre domicile pour vous expliquer le fonctionnement de l'appareil.
- L'installation, la livraison ou l'entretien inappropriés de l'appareil.
- Toute défectuosité du produit lorsqu'il a été utilisé de façon abusive ou inadéquate, ou employé à toute autre fin que celle pour laquelle il a été conçu, ou utilisé à des fins commerciales.
- Le remplacement des fusibles ou le réenclenchement des disjoncteurs.
- Tout produit auquel il n'est pas possible d'accéder pour effectuer les réparations nécessaires.
- Tout dommage au produit attribuable à un accident, à un incendie, à une inondation ou à une catastrophe naturelle.
- Tout dommage accessoire ou indirect, causé par des défaillances possibles de l'appareil.
- Le nettoyage ou l'entretien du dispositif de coupure antirefoulement dans la conduite de vidange.
- Tout dommage causé après la livraison, incluant les dommages causés par la chute d'objets sur la porte.

Cette garantie est offerte à l'acheteur initial, ainsi qu'à tout propriétaire subséquent d'un produit acheté en vue d'une utilisation domestique au Canada. Si le produit se situe dans une zone où aucun réparateur agréé par MC Commercial Inc. n'est disponible, vous devrez peut-être assumer les frais de déplacement de celui-ci ou apporter le produit à un atelier de réparation agréé par MC Commercial Inc..

EXCLUSIONS DES GARANTIES IMPLICITES

Votre seul et unique recours est de faire réparer le produit dans le cadre de cette garantie limitée. Toute garantie implicite, incluant la garantie de qualité marchande ou d'aptitude du produit à un usage particulier, est limitée à un an ou à la période la plus courte autorisée par la loi.

LE GARANT NE PEUT ÊTRE TENU RESPONSABLE DES DOMMAGES INDIRECTS.

Garanties prolongées : Procurez-vous une garantie prolongée Électroménagers GE et informez-vous au sujet des rabais spéciaux offerts tout au long de la durée de votre garantie. Contactez votre revendeur pour plus de détails.

Garant : MC Commercial Inc. Burlington, ON, L7R 5B6

Service à la clientèle

Site Web des électroménagers GE

Vous avez des questions ou besoin d'assistance concernant votre appareil? Consultez le site Web d'Électroménagers GE, accessible 24 heures sur 24, tous les jours de l'année! Vous pouvez également acheter d'autres excellents produits d'Électroménagers GE et bénéficier de tous nos services de soutien en ligne conçus pour votre commodité. Au Canada : electromenagersge.ca.

Enregistrer votre appareil

Enregistrez votre nouvel appareil en ligne au moment qui vous convient le mieux! L'enregistrement de votre produit dans les délais prescrits permet une meilleure communication et un service rapide, selon les modalités de votre garantie, si besoin est. Vous pouvez également envoyer par courrier la carte d'enregistrement préimprimée qui se trouve dans l'emballage de votre appareil. Au Canada : https://service.geappliances.ca/servicio/fr_CA/

Demande de service

Pour bénéficier du service de réparation d'Électroménagers GE, il suffit de nous contacter. Vous pouvez demander une réparation en ligne à toute heure du jour, au moment qui vous convient le mieux. Au Canada : https://service.geappliances.ca/servicio/fr_CA/ ou téléphonez au 1-800-561-3344 durant les heures normales de bureau.

Garanties prolongées

Communiquez avec votre détaillant concernant l'achat d'une garantie prolongée d'Électroménagers GE et renseignez-vous sur les rabais spéciaux qui sont offerts pendant que votre garantie est toujours en vigueur.

Pièces et accessoires

Les personnes ayant les compétences requises pour réparer elles-mêmes leurs appareils peuvent recevoir directement à la maison les pièces et accessoires par l'entremise du distributeur de pièces de leur région. Vous pouvez également téléphoner au 1-800-661-1616 durant les heures normales de bureau.

Les directives fournies dans le présent manuel comportent des procédures que n'importe quel utilisateur peut effectuer. Les autres types de réparation doivent généralement être confiés à un technicien qualifié. Faites preuve de prudence : une réparation ou un entretien mal effectué peut rendre l'utilisation de l'appareil dangereuse.

Pour nous joindre

Si vous n'êtes pas satisfait du service après-vente d'Électroménagers GE, communiquez avec nous sur notre site Web en fournissant tous les détails et votre numéro de téléphone, ou écrivez à :

Directeur, Relations avec la clientèle | MC Commercial Inc. | 1 Factory Lane, bureau 310, Moncton NB, E1C 9M3