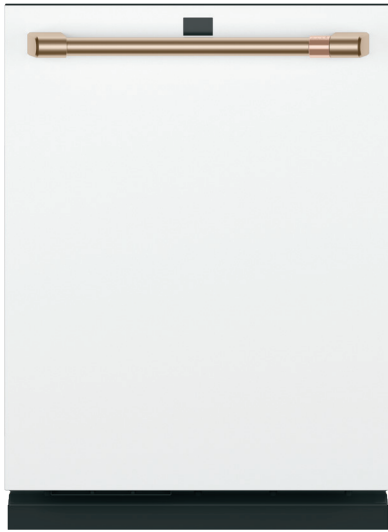


Café™ Stainless Interior Built-In Dishwasher with Hidden Controls

CDT875P4NW2 / CDT875P3ND1 / CDT875P2NS1

CAFÉ

DISTINCT BY DESIGN™



CDT875P4NW2
Matte White with Brushed
Bronze handles



ALSO AVAILABLE IN



CDT875P3ND1
Matte Black with
Brushed Stainless
handles



CDT875P2NS1
Stainless Steel with
Brushed Stainless
handles

FEATURES & BENEFITS

Ultra Wash & Dry Plus – Expect precision cleaning and superior dryness on fine china, dinnerware and even dishwasher-safe plastics, with exceptional features like Variable-Pressure Jets and Dual-Convection Ultra Dry

Loading Flexibility – Clean up quickly after hosting any event with a dishwasher that accommodates large items – like charcuterie platters – and dishwasher-safe plastics, like storage containers, conveniently in the lower rack

Status Center – Continue conversations without interruption and easily know when extra dinnerware is available via an LCD screen that displays the dishwasher cycle status

Adjustable Upper Racks – You'll have room for your finest stemware and space for tall bakeware with a rack that can be moved two inches up or down, creating ultimate loading flexibility

WiFi – Always have clean dishes ready for surprise guests with WiFi Connect, which lets you operate your dishwasher from your smartphone. Track and automatically reorder detergent and rinse aid with just the tap of an app

Create a look that matches your personal style – Select any combination of premium finishes and hardware options to create a stunning look customized to any owner's taste

APPEARANCE

| | |
|-----------------|--|
| Door Style | Long Door with Top Controls |
| Installation | Side Installation or Top Installation Included; Built-Up Floor Capable; Flush Cabinet Installation |
| Door Appearance | Full-Length flat door |

FEATURES

| | |
|-----------------------------|--|
| Style | Built-In |
| Tub and Door Liner | Stainless Steel |
| Tub Type | Tall Tub |
| Control Type | Top Controls; Cap Touch Controls; 12 Touchpads |
| Dishwasher Control Features | Cycle Countdown with LCD Status Center on door; Multi function display; Last Cycle Memory; Audible End-of-Cycle Signal |
| Wash System | 3-Level; 800 Series |
| Wash System Features | Variable Speed Dual Pumps and Motors; Automatic Temperature Control; Drain Pump; Hard Food Disposer with removable filter; Reversing Quad Blade Lower Wash Arm; Quad Blade Middle Wash Arm; Deep Clean Silverware Jets; Side Jets; 90+ Spray Jet Wash System; Hidden Heater; Automatic HotStart; Bottle Jets (4) |
| Sensor | Clean Sensor |
| Wash Arms | 3 Wash Levels; Lower- Reversing Quad Blade; Middle - Quad Blade; Bottle Jets; Jets - Variable Pressure; Deep Clean Silverware Jets |
| Water Filtration System | 100% Filtration with Hard Food Disposer and Removable Filter |
| Dispenser | Rinse Aid with Indicator and Adjustment; Electronic Low Rinse Aid Sensor |
| Number of Cycles | 5 |
| Dishwasher Cycles | Auto; Pots; Normal; China; Express |
| Number of Options | 10 |
| Dishwasher Options | Delay Start 1-12 Hr.; Hi-Temp Wash; Presoak + Sanitize; Heated Dry Off; Normal Dry; Dual Convection Ultra Dry; Wash Zone Upper Only; Wash Zone Lower Only; Start/Reset; Bottle Wash; Lock Controls |
| Rack Features | 2 Utility Shelves with Stem Safe and Chop-stick slots - Upper Ball-Tipped Tines; Adjustable Upper Rack; 3-Piece Silverware Basket with Cell Covers; Full Extension Slides - Upper |
| Racking Material | Nylon |
| Rack Color | Black Pearl |
| Number of Place Settings | Up to 16 |
| Upper Rack | Premium Height Adjustable; Ball-Tip Tines; 2 Stem Safe Shelves; Chop stick slots; 1/2 fixed tines, 1/2 fold down tines |
| Lower Rack | Fixed tines with Bottle Jets; 1 Rack handle |
| Additional Protection | Ball-Tip Tines; 1/2 fixed tines, 1/2 fold down tines |
| Dishwasher Drying Features | Active Flood Protect; Leak Defense with Active Flood Protect |
| Cutlery Tray | Dual Convection Ultra Dry; Ultra/Normal/Off; Fan Assist Dry |
| Floor Protection | One piece removable 3rd rack |
| Leveling System | Leak Defense with Active Flood Protect; Leak Pan with Sensor |
| Latch | 3 Point Leveling |
| Showroom Power Mode | Pull with Handle |
| WiFi Connect | Yes |
| Exterior Style | Built-In |
| Handle Design | Traditional |
| Racking System | Customizable |
| | Full 3rd Rack |

ECONOMICAL/QUIET

| | |
|-----------------|---|
| Quiet Package | 39 dBA |
| Quiet Features | Quiet Water Valve; Sealed Toe Kick; Tub Collar Trim |
| Motor Type | Variable Speed |
| Outer Wrap | Full-wrap Blanket; Bitumen |
| Door Insulation | Insulation; Mastic |

WEIGHTS & DIMENSIONS

| | |
|---|-----------|
| Cabinet Width | 24 in |
| Approximate Shipping Weight | 137 lb |
| Net Weight | 124 lb |
| Overall Height | 34 in |
| Height w/ Legs Retracted - Minimum Height | 33-3/8 in |
| Height w/Legs Extended - Maximum Height | 34-5/8 in |
| Overall Depth | 24 in |
| Overall Width | 23-3/4 in |

Café™ Stainless Interior Built-In Dishwasher with Hidden Controls

CDT875P4NW2 / CDT875P3ND1 / CDT875P2NS1

CAFÉ

DISTINCT BY DESIGN™

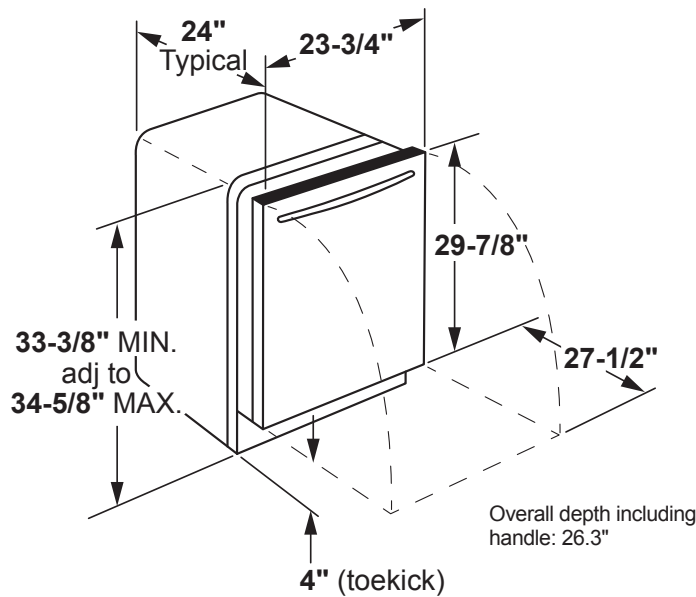
TECHNICAL DETAILS

| | |
|---------------------|--|
| Calrod Heater Watts | 1200/400 |
| Power Connection | Optional cord kit (GPFCD - WX09X70910, WX09X70911) |
| Volts/Hertz/Amps | 120 V; 60 Hz; 10.2 A |

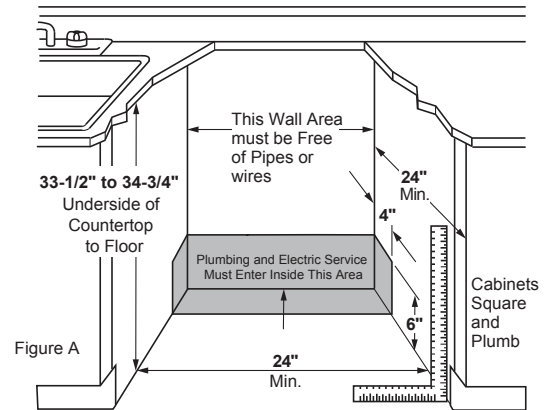
WARRANTY

| | |
|----------------|---------------------------------------|
| Parts warranty | Limited 1-year entire appliance |
| Labor warranty | Limited 1-year entire appliance |
| Warranty notes | See written warranty for full details |

DIMENSIONS



INSTALLATION DIMENSIONS



ADDITIONAL ACCESSORIES



Brushed Bronze
CXADTH1PMBZ
(Standard on Matte White)



Brushed Stainless
CXADTH1PMSS
(Standard on Matte Black and Stainless steel)



Brushed Black
CXADTH1PMBT



Brushed Copper
CXADTH1PMCU