

PT7550SF

GE Profile™ Series 30 in. Built-In Double Wall Oven with Convection

DIMENSIONS AND INSTALLATION INFORMATION (IN INCHES)

NOTE: Cabinets installed adjacent to wall ovens must have an adhesion spec of at least a 194°F temperature rating.

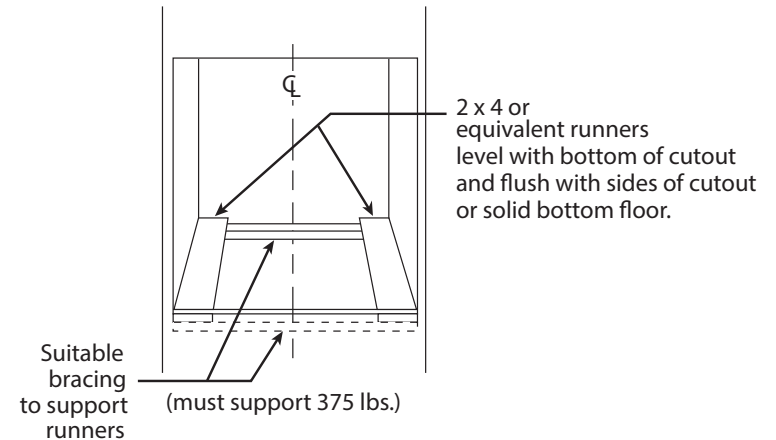
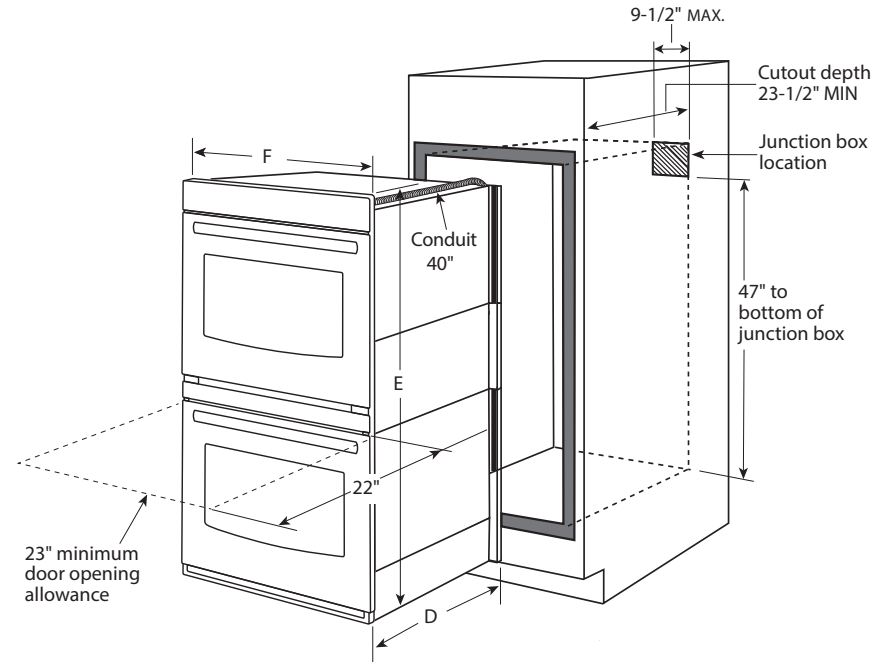
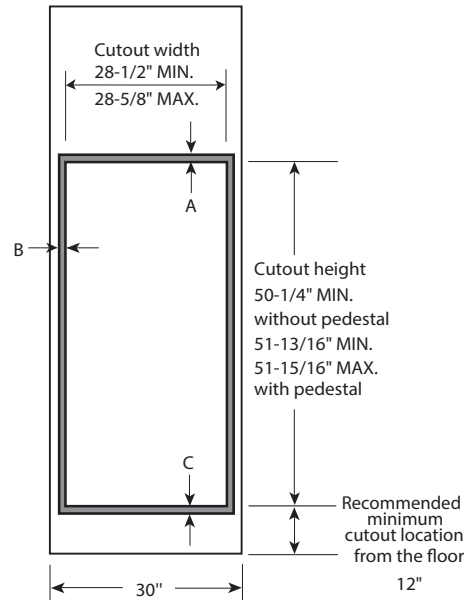
Door handle protrudes 3" from door face. Cabinets and drawers on adjacent 45° and 90° walls should be placed to avoid interference with the handle.

Electric wall ovens are not approved for installation with a plug and receptacle. They must be hard wired in accordance with installation instructions.

INSTALLATION INFORMATION: Before installing, consult installation instructions packed with product for current dimensional data.

KW RATING	
240V	7.6
208V	5.7
BREAKER SIZE	
240V	40 Amps
208V	40 Amps

	PT7550
Cabinet	30"
A – Overlap of oven at top of cutout	1"
B – Overlap of oven over side of edges of cutout	3/4"
C – Overlap of oven at bottom of cutout	1-1/4"
Oven	
D – Install depth	23-1/2"
E – Overall height with trim	53"
F – Overall width	29-3/4"



For answers to your Monogram, GE Café™ Series, GE Profile™ Series or GE Appliances product questions, visit our website at geappliances.com or call GE Answer Center® Service, 800.626.2000.



Listed by Underwriters Laboratories



Specification Revised 4/16

PT7550SF

GE Profile™ Series 30 in. Built-In Double Wall Oven with Convection

FEATURES AND BENEFITS

True European Convection with Direct Air (upper oven only) - Bakes evenly as warm air blows from the top in and around bakeware

Ten-pass bake element - Even baking is assured with heat that covers more surface area

Ten-pass dual broil element - Large and small dishes brown evenly with two, full-coverage elements

Self-clean heavy-duty roller rack - Easily access items with a rack that glides smoothly

Progressive halogen oven lighting - See what you're baking with lights that slowly illuminate the oven

Self-clean with steam clean option (both ovens) - Clean your oven the way you want

Glass touch controls - Set temperatures quickly and clean with little effort

Double oven 10.0 cu. ft. total oven capacity (5.0 cu. ft. both ovens) - Large meals are easy with capacity that fits more at one time

Black gloss oven interior - Enjoy a clean and sleek appearance

Hidden bake - Make cleanup easy by eliminating hard-to-reach areas

Model PT7550SFSS - Stainless steel

GUARANTEED FIT

Replacing a similar wall oven from GE or another brand? GE wall ovens are guaranteed for an exact fit to make replacement easy

Visit geappliances.com for more info

