



# OVER THE RANGE MICROWAVE OVEN

**SAFETY INFORMATION** ..... 3

**USING THE OVEN**

Features ..... 7

Controls..... 8

Time and Auto Microwave Features ..... 10

Sensor Microwave Features ..... 13

Other Features ..... 17

Microwave Terms..... 18

**CARE AND CLEANING**

Inside ..... 19

Outside..... 19

**TROUBLESHOOTING** ..... 20

**WARRANTY** ..... 21

**CONSUMER SUPPORT** ..... 22

## OWNER'S MANUAL

JVM2160  
JVM2162  
JVM2165

Write the model and serial numbers here:

Model # \_\_\_\_\_

Serial # \_\_\_\_\_

Find these numbers on a label inside the oven.

## **THANK YOU FOR MAKING GE APPLIANCES A PART OF YOUR HOME.**

Whether you grew up with GE Appliances, or this is your first, we're happy to have you in the family.

We take pride in the craftsmanship, innovation and design that goes into every GE Appliances product, and we think you will too. Among other things, registration of your appliance ensures that we can deliver important product information and warranty details when you need them.

Register your GE appliance now online. Helpful websites and phone numbers are available in the Consumer Support section of this Owner's Manual. You may also mail in the pre-printed registration card included in the packing material.



**GE APPLIANCES**

# IMPORTANT SAFETY INFORMATION

## READ ALL INSTRUCTIONS BEFORE USING THE APPLIANCE

### **⚠ WARNING**

**To reduce the risk of burns, electric shock, fire, injury to persons, or exposure to excessive microwave energy:**

When using electrical appliances, basic safety precautions should be followed, including the following:

- Read all instructions before using this appliance.
- Read and follow the specific precautions in the PRECAUTIONS TO AVOID POSSIBLE EXPOSURE TO EXCESSIVE MICROWAVE ENERGY section on page 6.
- Use this appliance only for its intended use as described in this manual. Do not use corrosive chemicals or vapors in this appliance. This oven is specifically designed to heat, dry or cook food, and is not intended for laboratory or industrial use.
- This microwave must only be serviced by qualified service personnel. Contact nearest authorized service facility for examination, repair or adjustment.

### **INSTALLATION**

- Install or locate this appliance only in accordance with the provided installation instructions.
- This appliance must be grounded. Connect only to properly grounded outlet. See "GROUNDING INSTRUCTIONS" found on page 5.
- This microwave oven is UL listed for installation over both gas and electric ranges.
- This unit is suitable for use above gas or electric cooking equipment, 36" or less wide.
- Do not operate this appliance if it has a damaged power cord or plug, if it is not working properly, or if it has been damaged or dropped.
- Keep cord away from heated surfaces.
- Do not let cord hang over the edge of the table or counter
- Do not immerse cord or plug in water.
- Do not cover or block any openings on the appliance.
- Do not store this appliance outdoors. Do not use this product near water—for example, in a wet basement, near a swimming pool, near a sink or in similar locations.
- Do not mount this appliance over a sink.

### **TO REDUCE THE RISK OF FIRE IN THE CAVITY:**

- Do not overcook food. Carefully attend appliance when paper, plastic or other combustible materials are placed inside the oven to facilitate cooking.
- Remove wire twist-ties and metal handles from paper or plastic containers before placing them in the oven.
- Do not store any materials, other than our recommended accessories, in this oven when not in use. Do not leave paper products, cooking utensils or food in the cavity when not in use. Microwave rack should be removed from oven when not in use.
- If materials inside the oven ignite, keep the oven door closed, turn the oven off and disconnect the power cord or shut off power at the fuse or circuit breaker panel.
- Do not operate the microwave feature without food in the oven.

### **TO REDUCE THE RISK OF BURNS:**

- Be careful when opening containers of hot food. Use pot holders and direct steam away from face and hands.
- Vent, pierce, or slit containers, pouches, or plastic bags to prevent build-up of pressure.
- Be careful when touching the turntable, door, racks, or walls of the oven which may become hot during use.
- Liquids and certain foods heated in the microwave oven can present a risk of burn when removing them from the microwave. The potential for a burn is greater in young children, who should not be allowed to remove hot items from the microwave.

## READ AND SAVE THESE INSTRUCTIONS

# IMPORTANT SAFETY INFORMATION

## READ ALL INSTRUCTIONS BEFORE USING THE APPLIANCE

### **⚠ WARNING** Continued

#### **OPERATING AND CLEANING**

- As with any appliance, close supervision is necessary when used by children.
- Do not store anything directly on top of the microwave oven surface when the microwave oven is in operation.
- Oversized foods or oversized metal utensils should not be inserted in a microwave/convection oven as they may create a fire or risk of electric shock.
- Do not clean with metal scouring pads. Pieces can burn off the pad and touch electrical parts involving a risk of electric shock.
- Do not use paper products in oven when appliance is operating in any cooking mode except microwave.
- Some products such as whole eggs and sealed containers—for example, closed jars—are able to explode and should not be heated in this microwave oven.
- Do not cover any part of the microwave with metal foil. This will cause overheating of the microwave oven.
- Cook meat and poultry thoroughly— meat to at least an INTERNAL temperature of 160°F, and poultry to at least an INTERNAL temperature of 180°F. Cooking to these temperatures usually protects against foodborne illness.
- Make sure all cookware used in your microwave oven is suitable for microwaving. Most glass casseroles, cooking dishes, measuring cups, custard cups, pottery or china dinnerware which does not have metallic trim or glaze with a metallic sheen can be used in compliance with cookware manufacturers' recommendations.

- It is important to keep the area clean where the door seals against the microwave. Use only mild, nonabrasive detergents applied with a clean sponge or soft cloth. Rinse well.

#### **SUPER HEATED WATER**

- Liquids, such as water, coffee, or tea, are able to be overheated beyond the boiling point without appearing to be boiling. Visible bubbling or boiling when the container is removed from the microwave oven is not always present. **THIS COULD RESULT IN VERY HOT LIQUIDS SUDDENLY BOILING OVER WHEN THE CONTAINER IS DISTURBED OR A SPOON OR OTHER UTENSIL IS INSERTED INTO THE LIQUID.**
- To reduce the risk of injury to persons:
  - Do not overheat the liquid.
  - Stir the liquid both before and halfway through heating it.
  - Do not use straight-sided containers with narrow necks.
  - After heating, allow the container to stand in the microwave oven for a short time before removing the container.
  - Use extreme care when inserting a spoon or other utensil into the container.

## READ AND SAVE THESE INSTRUCTIONS

# IMPORTANT SAFETY INFORMATION

## READ ALL INSTRUCTIONS BEFORE USING THE APPLIANCE

### GROUNDING INSTRUCTIONS

**⚠ WARNING** To prevent risk of electric shock, follow these instructions:

- Plug microwave into a grounded 3-prong outlet.
- Do not remove the ground prong or use an adapter.
- Do not use an extension cord.

Improper use of the grounding plug can result in a risk of electric shock.

This appliance must be grounded. In the event of an electrical short circuit, grounding reduces the risk of electric shock by providing an escape wire for the electric current.

This appliance is equipped with a power cord having a grounding wire with a grounding plug. The plug must be plugged into an outlet that is properly installed and grounded.

Consult a qualified electrician or service technician if the grounding instructions are not completely understood, or if doubt exists as to whether the appliance is properly grounded.

A short power-supply is provided to reduce the risks resulting from becoming entangled or tripping over a longer cord. Do not use an extension cord with this appliance. If the power cord is too short, have a qualified electrician or service technician install an outlet near the appliance.

### VENT FAN

The fan will operate automatically under certain conditions. Take care to prevent the starting and spreading of accidental cooking fires while the vent fan is in use.

- Clean the underside of the microwave often. Do not allow grease to build up on the microwave or the fan filters.
- In the event of a grease fire on the surface units below the microwave oven, smother a flaming pan on the surface unit by covering the pan completely with a lid, a cookie sheet or a flat tray.
- Use care when cleaning the vent fan filters. Corrosive cleaning agents, such as lye-based oven cleaners, may damage the filters.
- When preparing flaming foods under the microwave, turn the fan on.
- Never leave surface units beneath your microwave oven unattended at high heat settings. Boilovers cause smoking and greasy spillovers that may ignite and spread if the microwave vent fan is operating. To minimize automatic fan operation, use adequate sized cookware and use high heat on surface units only when necessary.

### PACEMAKERS

Most pacemakers are shielded from interference from electronic products, including microwaves. However, patients with pacemakers may wish to consult their physicians if they have concerns.

## READ AND SAVE THESE INSTRUCTIONS

# IMPORTANT SAFETY INFORMATION

## READ ALL INSTRUCTIONS BEFORE USING THE APPLIANCE

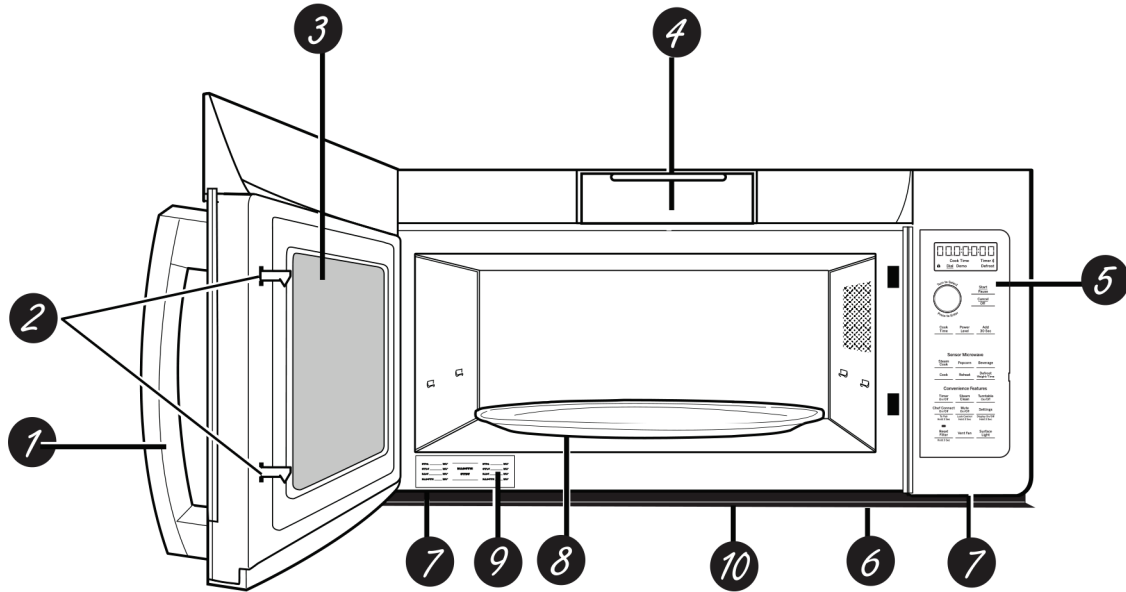
### PRECAUTIONS TO AVOID POSSIBLE EXPOSURE TO EXCESSIVE MICROWAVE ENERGY

- (a) **Do Not Attempt** to operate this oven with the door open since open-door operation can result in harmful exposure to microwave energy. It is important not to defeat or tamper with the safety interlocks.
- (b) **Do Not Place** any object between the oven front face and the door or allow soil or cleaner residue to accumulate on sealing surfaces.
- (c) **Do Not Operate** the oven if it is damaged. It is particularly important that the oven door close properly and that there is no damage to the:
  - (1) door (bent),
  - (2) hinges and latches (broken or loosened),
  - (3) door seals and sealing surfaces.
- (d) **The Oven Should Not** be adjusted or repaired by anyone except properly qualified service personnel. Contact nearest authorized service facility for examination, repair or adjustment.

**READ AND SAVE THESE INSTRUCTIONS**

# Features

Throughout this manual, features and appearance may vary from your model.



- 1 **Door Handle.** Pull to open the door. The door must be securely latched for the microwave to operate.
- 2 **Door Latches.**
- 3 **Window with Metal Shield.** Screen allows cooking to be viewed while keeping microwaves confined in the oven.
- 4 **Charcoal Filter Door.** Push down two button to open the door. You can change charcoal filter easily.
- 5 **Control Panel and Selector Dial.**
- 6 **Cooktop Light.**

- 7 **Grease Filter.**
- 8 **Removable Turntable.** Turntable and support **must** be in place when using the oven. The turntable may be removed for cleaning.
- 9 **Rating Plate.**
- 10 **Deflector.** Provides robustness from cooktop heat. Do not remove.

**NOTE:** Oven vent(s) and oven light are located on the inside walls of the microwave oven.

# Controls

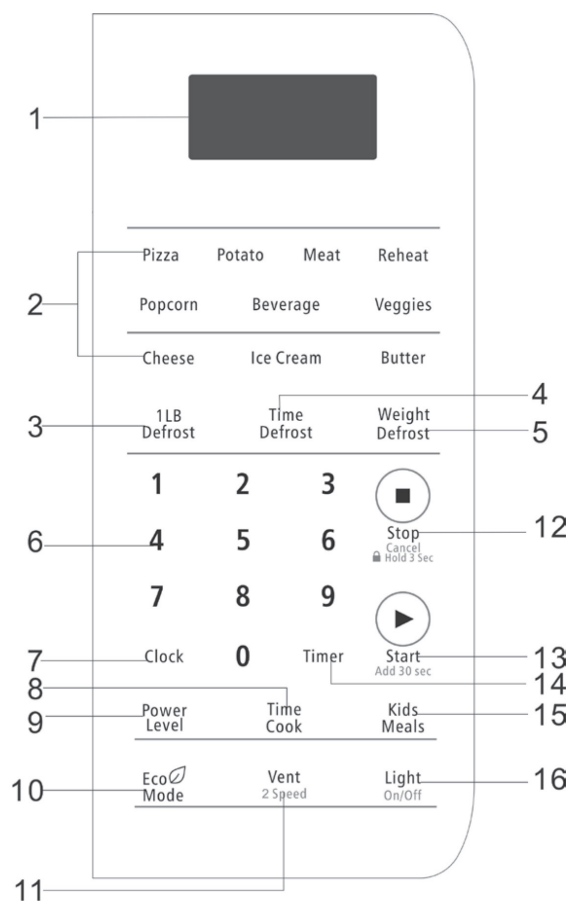
Throughout this manual, features and appearance may vary from your model.

## Microwave Cooking Time and Auto Features

Press	Turn and push dial to enter
<b>Cook Time</b>	Amount of cooking time
Press once (Cook Time I) to microwave any time between 15 seconds and 99 minutes.	
Press twice (Cook Time II) to change power levels automatically during cooking.	
<b>Power Level</b>	Power level 1–10
<b>Add 30 sec.</b>	Starts immediately!
<b>Defrost Weight/Time</b>	
Press once (Weight Defrost)	Food weight up to six pounds
Press twice (Timed Defrost)	Amount of defrosting time
<b>Beverage</b>	Starts immediately!

## Sensor Features

Press	Turn and push dial to enter	Option
<b>Steam Cook/Food Typ</b>		
Popcorn		Food Type
Cook		Food Type
Reheat		Food Type
Pizza		Food Type
Potato		Food Type
Meat		Food Type
Veggies		Food Type
Butter		Food Type





# Time and Auto Microwave Features

## BASIC CONTROLS

Learn about your microwave oven.

### CAUTION

- To avoid risk of personal injury or property damage, do not operation the microwave oven empty.
- To avoid risk of personal injury or property damage, do not use stoneware, aluminum foil, metal utensils, or mental trimmed utensils in the microwave oven.

### Function description:

- When the oven first plugged in, the display will show “12:00” and “:.” flashing.
- When cooking setting is interrupted for 1 minute, the system will back to the standby mode automatically.
- During cooking, if press **Stop/Cancel** pad once or open the door, the program will be paused,close the door, then press **Start/Add 30Sec** pad to resume, but if press **Stop/Cancel** padtwice, the program will be canceled.
- After ending cooking, “END” will display and the system will sound beeps to remind user everytwo minutes until user press **Stop/Cancel** pad or open the door.
- SIGNALS DURING OVEN SETTINGS
- **ONE SIGNAL:** Oven accepts the entry.
- **TWO SIGNALS:** Oven does not accept the entry, please check and try again.

### Setting the Clock

This is a 12 or 24 hour clock. In standby mode, press **Clock** pad once to choose 12 hour clock and if you want to choose 24 hour clock, press **Clock** pad again

Example: Suppose you want to set the clock for 8:08 am.

1. In standby mode, press **Clock** pad once or twice.
2. Press number pads **8, 0** and **8**, the display will show”08:08”.
3. Press **Start/Add 30Sec** to confirm

### NOTE:

- During cooking, you can press Clock pad to check the clock.
- “00:00” will display and two beeps will sound to remind user to resume load the time, if you enter time is beyond the scope of clock when you set the clock.

### Setting Microwave cooking program

For microwave cooking, cooking power level and time should be set. The longest cooking time you can set is 99 minutes and 99 seconds. Press **Power Level** pad once and then press number pads to choose cooking power level.

# Time and Auto Microwave Features

Use number pad to choose cooking power level			
Number pad	Percent (Name)	Number pad	Percent (Name)
1,0	100% (High)	4	40% (Medium Low)
9	90% (Sauté)	3	30% (Defrost)
8	80% (Reheat)	2	20% (Low)
7	70% (Medium High)	1	10% (Warm)
6	60% (Simmer)	0	0% (No Power)
5	50% (Medium)		

For example, suppose you want to cook at 80% power level for 10 minutes.

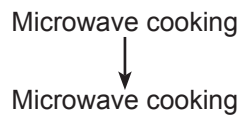
1. In standby mode, press **Time Cook** pad once.
2. Use the number pads to enter cooking time.
3. Press **Power Level** pad once, and then use the number pad “8” to select 80% power level.
4. Press **Start/Add 30Sec** pad to confirm.

**NOTE:** During cooking you can press **Power level** pad to check the power level, and you can adjust the power level by pressing number pads when the display shows the power level.

## Multi stage cooking

For best results, some recipes call for different cook power during different stages of a cook cycle. You can program your oven to switch from one power to another for up to 2 stages.

For example, suppose you want to set the following cooking program.



1. In standby mode, input the first Microwave cooking. Do not press **Start/Add 30Sec** pad
2. Press **Time Cook** pad once, and then input the second Microwave cooking.
3. Press **Start/Add 30Sec** to start.

**NOTE:** Auto menu, defrost and Kids meals cannot set in multi stage cooking program.

## Light Control

This feature is designed for the convenience of doing things outside the oven. To turn on the light at the bottom of the oven, press **Light On/Off** pad:

Press <b>Light On/Off</b> button	Working Mode
Once	On
Twice	Off

## Vent Fan Control

Your oven can be used as a range hood. When it is turned on, the fan motor starts filtering out smoke, odors, and grease generated from cooking.

# Time and Auto Microwave Features

In standby mode, the vent fan is manual control, press Vent/2 Speed pad to select the vent speed by manual:

Press Vent/2 Speed button	Working Mode	Display
Once	Low wind	Vent .L
Twice	High Wind	Vent .H
3 times	Turn off	Put Out

**NOTE:** When cooking is started, the vent fan automatically works into a low wind gear. After cooking the fan auto stop working. If user switched the fan to high speed by manual, the vent fan will work at high speed for 12 minutes and work at low speed for 8 minutes and then switch to high speed until finish cooking. When the microwave cooking is finished, the vent motor has been working, only press **Vent/2 Speed** pad to closed it.

## SPECIAL FEATURES

### Auto cook menu

For foods such as Butter, Cheese, Ice cream and so on, it is not necessary to program the time and the cooking power. It is sufficient to indicate the type of food that you want to cook as well as the weight of this food.

#### → Butter, Cheese or Ice cream

1. Press the food (**Butter, Cheese or Ice cream**) pad once.
2. Use number pad “1” or “2” to select the amount of food (according to the amount in the table below).
3. Press **Start/Add 30Sec** pad to confirm.

Food	Weight or amount	Press number pad
Butter	1(4 oz.)	1
	2(8 oz.)	2
Cheese	1(4 oz.)	1
	2(8 oz.)	2
Ice cream	1	1
	2	2

#### → Pizza, Potato, Meat, Reheat and Veggies

1. Press the food pad desired (**Pizza, Potato, Meat, Reheat or Veggies**).
2. Use number pad (**0 - 9**) to enter food weight.
3. Press **Start/Add 30Sec** pad to start cooking.

Food	Weight ranges
Pizza	10 oz.-28 oz.
Potato	1 oz.-48 oz.
Meat	1 oz.-32 oz.
Reheat	1 oz.-37oz.
Veggies	1 oz.-48oz.

## Time and Auto Microwave Features

---

Example, you want to cook 10 oz meat.

1. Place meat into the oven and close the door.
2. Press **Meat** pad once.
3. Press number pad enter weight.
4. Press **Start/Add 30Sec** pad to start cooking.

### → Popcorn

Popcorn lets you pop commercially packaged microwave popcorn. For example you want to cook a 3.5 oz bag of microwave popcorn.

1. Place the food into the oven and close the door.
2. Press **Popcorn** pad once.
3. Press **Start/Add 30Sec** pad, the system start to cook immediately.

**NOTE:** Popcorn automatically sets the cooking time for a 3.5 oz. bag of microwave popcorn.

### → Beverage

For example, you want to reheat two cups of coffee.

1. Place two cups of coffee into the oven and close the door.
2. Press **Beverage** pad once, the display will display “1”.
3. Press number pad “2” to choose two cups.
4. Press **Start/Add 30Sec** pad to start cooking.

**NOTE:** For beverage, you can choose the amount by pressing number pad 1 to 6, and the display will show number of servings instead of weight. After heating, the beverage may be very hot. Remove the container with care.

## Kids Meals

---

Using Kids Meals lets you heat common microwave-prepared foods without needing to program times and cook power.

### For Hot dogs or Frozen sandwiches:

1. Press the **Kids Meals** pad once.
2. Press number pad “2 or 4” to choose Hot dogs or Frozen sandwiches.
3. Press **Start/Add 30Sec** to confirm your choose.
4. Press **Start/Add 30Sec** pad to start cooking.

### For Chicken nuggets or Fresh fries:

1. Press the **Kids Meals** pad once.
2. Press number pad “1 or 3” to choose Chicken nuggets or Fresh fries.
3. Press **Start/Add 30Sec** to confirm your choice. The display will show “4” and “START”.
4. Press number pad “1 or 2” to choose the food weight (1 for 4 oz, 2 for 8 oz).

# Sensor Microwave Features

5. Press **Start/Add 30Sec** pad to start cooking.

KIDS MEALS			
Category	Press number pad	Weight	Power level
Chicken nuggets	1	4 oz	PL-6
		8 oz	
Hot dogs	2	1 serving	PL-6
Fresh fries	3	4 oz	PL-6
		8 oz	
Frozen Sandwiches	4	1 serving	PL-8

## Weight Defrost

The oven allows you to defrost food based on the weight entered by user. The defrosting time and power level are automatically set once the food category and the weight are programmed. The frozen food weight ranges is 1-96 oz.

Suppose you want to defrost ground meat (15 oz.).

1. Press **Weight Defrost** pad once.
2. Press number pad enter weight.
3. Press **Start/Add 30Sec** pad to confirm.

### NOTE:

- During defrost, the oven will pause and sound beep to remind user to turn the food over, after that, press **Start/Add 30Sec** pad to resume.
- Use small smooth strips of aluminum foil to cover edges and thinner sections of the food.

## 1Lb Defrost

This feature allows you to defrost food quickly.

In standby, press **1Lb Defrost** pad once, the system start defrosting automatically.

### NOTE:

- During defrost, the oven will pause and sound beep to remind user to turn the food over, after that, press **Start/Add 30Sec** pad to resume.
- Use small smooth strips of aluminum foil to cover edges and thinner sections of the food.

## Time Defrost

If the food weight is exceed the maximum weight recommended, you need to use time defrost.

Suppose you want to defrost ground meat (12:34).

1. Press **Time Defrost** pad once, "00:00"and"DEF." will display.
2. Enter defrosting time by pressing the number pad **1, 2, 3, 4**.
3. Press **Start/Add 30Sec** pad to confirm.

## Sensor Microwave Features

---

### NOTE:

- During defrost, the oven will pause and sound beep to remind user to turn the food over, after that, press **Start/Add 30Sec** pad to resume.
- Please remember to place the food on a microwave-safe dish not in a plastic container

## OTHER CONVENIENT FEATURES

### Add 30Sec

In standby mode, simply press the **Start/Add 30Sec** pad repeatedly to set cook time and the oven will start cooking immediately at 100% power level. The longest cooking time you can enter is 99 minutes and 99 seconds.

**NOTE:** You can also extend cooking time (except auto cook and 1Lb defrost) by pressing the **Start/Add 30Sec** during cooking (each press for 30 seconds up to 99 minutes and 99 seconds).

### Setting the Timer

Suppose you want to cooking food 3 minutes later.

1. In standby mode or cooking process, press **Timer** pad once.
2. Use the number pads to enter time.
3. Press **Start/Add 30Sec** pad.

### NOTE:

- The longest time you can set is 99 minutes and 99 seconds.
- Once you have set the timer function, in either cooking or standby mode, you can check the countdown by press Timer pad and you can press Stop/Cancel to cancel the timer function when the display shows timer time.

### Eco Mode

**To set:** In standby mode, press **Eco Mode** pad once to enter the power mode. At this point, the display is closed, press any key, return to standby status, the display will normal show, but the oven did not exit power mode. If there is not any operation within 1 minute, the system automatically enters the power saving mode.

**To cancel:** After set eco mode, in standby mode, presses **Eco Mode** pad once, the oven drop out power saving mode. At this moment, oven cannot enter power save mode if there are not any operations within 1 minute.

### Child Lock

The child lock prevents unsupervised operation by children and this program only works in standby mode

To set, in standby mode, press and hold **Stop/Cancel** for 3 seconds. LOCK is indicated on the display.

# Sensor Microwave Features

---

To cancel, press and hold Stop/Cancel for 3 seconds. LOCK indication disappears.

## CLEAR AND CARE

### Exterior

The outside surface is pre-coated steel and plastic. Clean the outside with mild soap and water; rinse and dry with a soft cloth. Do not use any type of household or abrasive cleaner.

### Door

Wipe the window on both sides with a damp cloth to remove any spills or splatters. Metal parts will be easier to maintain if wiped frequently with a damp cloth. Avoid the use of spray and other harsh cleaners as they may stain, streak or dull the door surface.

### Control Panel

Care should be taken in cleaning the press control panel. If the control panel becomes soiled, open the oven door before cleaning. Wipe the panel with a cloth dampened slightly with water only. Dry with a soft cloth. Do not scrub or use any sort of chemical cleaners. Close door and press STOP/CANCEL.

### Interior

Cleaning is easy because little heat is generated to the interior surfaces; therefore, there is no baking and setting of spills or splattering. To clean the interior surfaces, wipe with a soft cloth and warm water. DO NOT USE ABRASIVE OR HARSH CLEANERS OR SCOURING PADS. For heavier soil, use baking soda or a mild soap; rinse thoroughly with hot water.

### Waveguide Cover

The waveguide cover is located on the ceiling in the oven cavity. It is made from mica so requires special care. Keep the waveguide cover clean to assure good oven performance. Carefully wipe with a damp cloth any food splatters from the surface of the cover immediately after they occur. Built-up splashes may overheat and cause smoke or possibly catch fire. DO NOT REMOVE THE WAVEGUIDE COVER.

### Odor Removal

Occasionally, a cooking odor may remain in the oven. To remove, combine 1 cup water, grated peel and juice of 1 lemon and several whole cloves in a 2-cup glass measuring cup. Boil for several minutes using 100% power. Allow to set in oven until cool. Wipe interior with a soft cloth.

### Turntable/Turntable Support

The turntable and turntable support can be removed for easy cleaning. Wash them in mild, sudsy water; for stubborn stains use a mild cleanser and non-abrasive scouring sponge as described above. They are also dishwasher-proof. Use upper rack of dishwasher. The turntable motor shaft is not sealed, so excess water or spills should be wiped up immediately.

### Grease Filters

Filters should be cleaned at least once a month. Never operate the fan or oven without the filters in place. Pull down slightly on the tab toward the front of the oven and remove the filter. Repeat for the other filter.

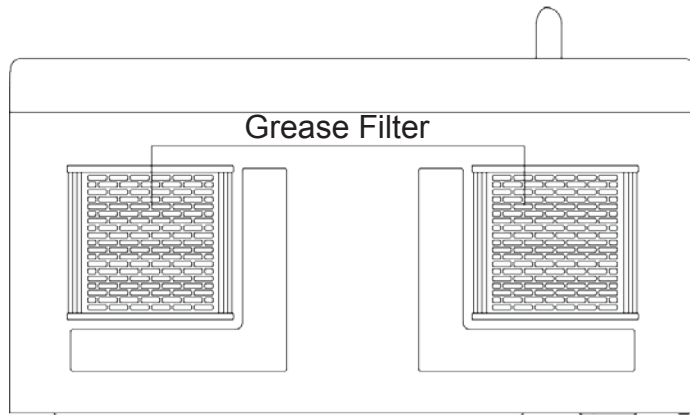
# Sensor Microwave Features

Soak the filter in a sink or dish pan filled with hot water and detergent. DO NOT use ammonia or other alkali; they will react with the filter material and darken it.

Agitate and scrub with a brush to remove embedded dirt.

Rinse thoroughly and shake dry.

Replace by fitting the filter back into the opening.



## Light

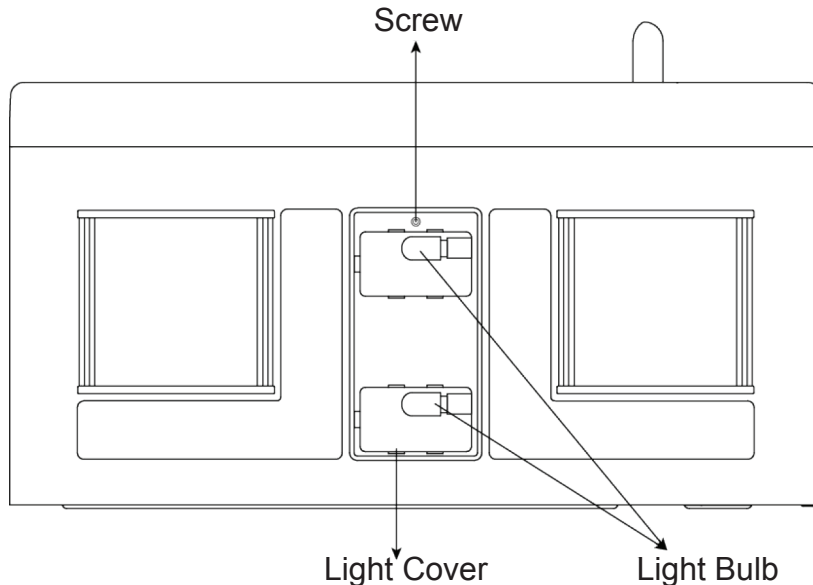
To replace light bulbs, first disconnect power to the oven at the circuit breaker panel or by unplugging.

To release cover, remove the screw on the light cover. (See illustration.)

DO NOT USE A BULB LARGER THAN 30 WATTS.

Close light cover and secure with screw removed in step 2.

CAUTION: Light cover may become very hot. Do not press glass when light is on.



## Charcoal Filter

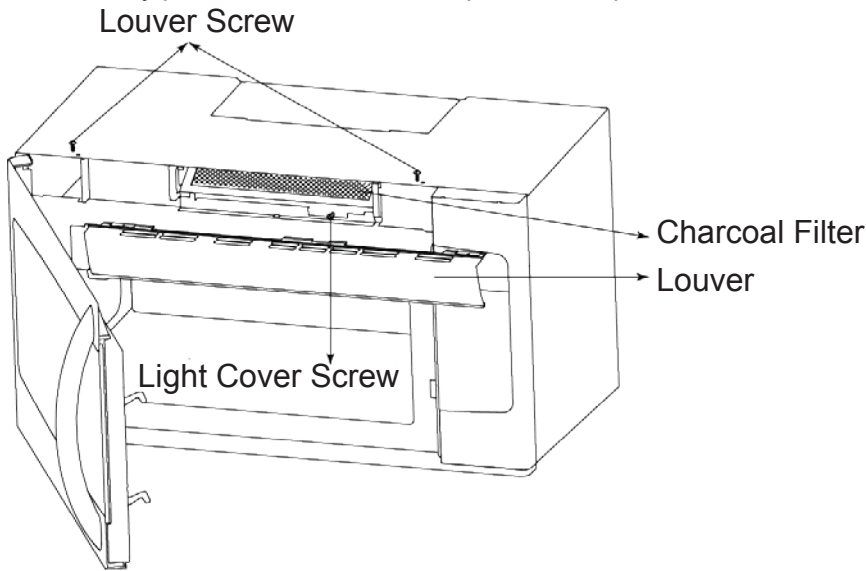
Charcoal filter is used for nonvented, recirculated installation. The filter should be changed every 6 to 12 months depending on use.

- Disconnect power to the oven at the circuit breaker panel or by unplugging.
- Remove the louver mounting screw from the top center of the louver and push down carefully on the tab at each end of the louver to disengage it. (See illustration.)
- Pull the louver away from the unit.



# Other Features

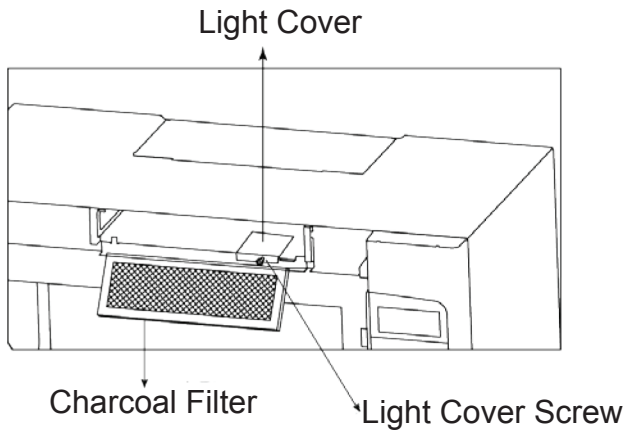
- Change the charcoal filter.
- Carefully push the louver back into place and replace the screw remove in step 2.



## Oven Light

Remove the louver per instructions 1~3 above and charcoal filter, if used.

- Open light cover located behind filter mounting by carefully pulling up on the front edge.



- DO NOT USE A BULB LARGER THAN 30 WATTS.
- Replace the oven light cover by carefully pushing into place. Replace the charcoal filter, if used. Push the louver back into place and replace the louver mounting screw.

## Microwave Terms

Term	Definition
Arcing	<p>Arcing is the microwave term for sparks in the oven. Arcing is caused by:</p> <ul style="list-style-type: none"> <li>■ metal or foil touching the side of the oven.</li> <li>■ foil that is not molded to food (upturned edges act like antennas).</li> <li>■ metal such as twist-ties, poultry pins, gold-rimmed dishes.</li> <li>■ recycled paper towels containing small metal pieces.</li> <li>■ plates or dishes with a metallic trim or glaze with a metallic sheen.</li> </ul>
Covering	<p>Covers hold in moisture, allow for more even heating and reduce cooking time. Venting plastic wrap or covering with wax paper allows excess steam to escape.</p>
Shielding	<p>In a regular oven, you shield chicken breasts or baked foods to prevent over-browning. When microwaving, you use small strips of foil to shield thin parts, such as the tips of wings and legs on poultry, which would cook before larger parts.</p>
Standing Time	<p>When you cook with regular ovens, foods such as roasts or cakes are allowed to stand to finish cooking or to set. Standing time is especially important in microwave cooking. Note that a microwaved cake is not placed on a cooling rack.</p>
Venting	<p>After covering a dish with plastic wrap, you vent the plastic wrap by turning back one corner so excess steam can escape.</p>

# Care and Cleaning

## Helpful Hints

An occasional thorough wiping with a solution of baking soda and water keeps the inside fresh.

**Be certain the oven control is turned off before cleaning any part of this oven.**

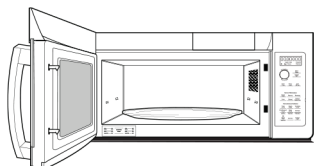


## How to Clean the Inside

### Walls, Floor, Inside Window, Metal and Plastic Parts on the Door

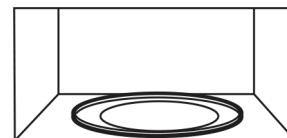
Some spatters can be removed with a paper towel; others may require a damp cloth. Remove greasy spatters with a sudsy cloth, then rinse with a damp cloth. Do not use abrasive cleaners or sharp utensils on oven walls.

Never use a commercial oven cleaner on any part of your microwave.



### Removable Turntable and Turntable Support

To prevent breakage, do not place the turntable into water just after cooking. Wash it carefully in warm, sudsy water or in the dishwasher. The turntable and support can be broken if dropped. Remember, do not operate the oven in the microwave mode without the turntable and support seated and in place.



## How to Clean the Outside

We recommend against using cleaners with ammonia or alcohol, as they can damage the appearance of the microwave oven. If you choose to use a common household cleaner, first apply the cleaner directly to a clean cloth, then wipe the soiled area.

### Case

Clean the outside of the microwave with a sudsy cloth. Rinse and then dry. Wipe the window clean with a damp cloth.

### Control Panel

Wipe with a damp cloth. Dry thoroughly. Do not use cleaning sprays, large amounts of soap and water, abrasives or sharp objects on the panel—they can damage it. Some paper towels can also scratch the control panel.

### Door Panel

Before cleaning the front door panel, make sure you know what type of panel you have. Refer to the eighth digit of the model number. "S" is stainless steel, "L" is CleanSteel and "B", "W" or "C" are plastic colors.

### Stainless Steel (on some models)

The stainless steel panel can be cleaned with Stainless Steel Magic or a similar product using a clean, soft cloth. Apply stainless cleaner carefully to avoid the surrounding plastic parts. Do not use appliance wax, polish, bleach or products containing chlorine on Stainless Steel finishes.

### Plastic Color Panels

Use a clean, soft, lightly dampened cloth, then dry thoroughly.

### Door Seal

It's important to keep the area clean where the door seals against the microwave. Use only mild, nonabrasive detergents applied with a clean sponge or soft cloth. Rinse well.

### Bottom

Clean off the grease and dust on the bottom often. Use a solution of warm water and detergent.



# Troubleshooting Tips... Before you call for service

Save time and money! Review the charts on the following pages first and you may not need to call for service.

Problem	Possible Cause	What To Do
Oven will not start	A fuse in your home may be blown or the circuit breaker tripped.	Replace fuse or reset circuit breaker.
	Power surge.	Unplug the microwave oven, then plug it back in.
	Plug not fully inserted into wall outlet.	Make sure the 3-prong plug on the oven is fully inserted into wall outlet.
	Door not securely closed.	Open the door and close securely.
Floor of the oven is warm even when the oven has not been used	Heat from the cooktop light may make the floor get warm.	This is normal.
You hear an unusual lowtone beep	You have tried to change the power level when it is not allowed.	Many of the oven's features are preset and cannot be changed.
Food amount too large for Sensor Reheat	Sensor Reheat is for single servings of recommended foods	Use <b>TIME COOK</b> for large amounts of food

## Things That Are Normal With Your Microwave Oven

- Steam or vapor escaping from around the door.
- Light reflection around door or outer case.
- Dimming oven light and change in the blower sound at power levels other than high.
- Dull thumping sound while oven is operating.

## FEDERAL COMMUNICATIONS COMMISSION (U.S.A.) RADIO FREQUENCY INTERFERENCE STATEMENT

This equipment generates and uses ISM frequency energy and if not installed and used properly, that is in strict accordance with the manufacturer's instructions, may cause interference to radio and television reception. It has been type tested and found to comply with limits for an ISM Equipment pursuant to part 18 of FCC Rules, which are designed to provide reasonable protection against such interference in a residential installation. However, there is no guarantee that interference will not occur in a particular installation. If this equipment does cause interference to radio or television reception, which can be determined by tuning the equipment off and on, the user is encouraged to try to correct the interference by one or more of the following:

- Reorient the receiving antenna of radio or television.
- Relocate the Microwave oven with respect to the receiver.
- Move the microwave oven away from the receiver.
- Plug the microwave oven into a different outlet so that microwave oven and receiver are on different branch circuits.

The manufacturer is not responsible for any radio or TV interference cause by unauthorized modification to this microwave oven. It is the responsibility of the user to correct such interference.

# GE Appliances Microwave Oven Warranty

## GEAppliances.ca

All warranty service is provided by our Factory Service Centers, or an authorized Customer Care® technician. To schedule service online, visit us at [www.geappliances.ca/en/support/service-request/](http://www.geappliances.ca/en/support/service-request/), or call GE Appliances at 800.561.3344. Please have your serial number and your model number available when calling for service.

For the period of	GE Appliances will replace
<b>One year</b> From the date of the original purchase	<b>Any part</b> of the oven which fails due to a defect in materials or workmanship. During this <b>limited one-year warranty</b> , GE Appliances will also provide, <b>free of charge</b> , all labor and related service costs to replace the defective part when the unit is serviced.

### What GE Appliances will not cover:

- Service trips to your home to teach you how to use the product.
- Improper installation, delivery or maintenance. If you have an installation problem, contact your dealer or installer. You are responsible for providing adequate electrical, exhausting, and other connecting facilities.
- Failure of the product or damage to the product if it is abused, misused (for example, cavity arcing from wire rack or metal/foil), or used for other than the intended purpose or used commercially.
- Replacement of house fuses or resetting of circuit breakers.
- Damage to the product caused by accident, fire, floods or acts of God.
- Incidental or consequential damage caused by possible defects with this appliance.
- Damage caused after delivery.
- Product not accessible to provide required service.
- Service to repair or replace light bulbs, except for LED lamps.
- Damage to the finish, such as surface rust, tarnish, or small blemishes not reported within 48 hrs of delivery.

### EXCLUSION OF IMPLIED WARRANTIES

Your sole and exclusive remedy is product repair as provided in this Limited Warranty. Any implied warranties, including the implied warranties of merchantability or fitness for a particular purpose, are limited to one year or the shortest period allowed by law.

This warranty is extended to the original purchaser and any succeeding owner for products purchased for home use within Canada. If the product is located in an area where service by a GE Appliances Authorized Servicer is not available, you may be responsible for a trip charge or you may be required to bring the product to an Authorized GE Appliances Service location for service.

Some Provinces or Territories do not allow the exclusion or limitation of incidental or consequential damages. This warranty gives you specific legal rights, and you may also have other rights which vary from state to state. To know what your legal rights are, consult your local Member of Parliament consumer affairs office.

**Warrantor: MC Commercial Inc.**

Staple your receipt here. Proof of the original purchase date is needed to obtain service under the warranty.

# Consumer Support

---

## GE Appliances Website

Have a question or need assistance with your appliance? Try the GE Appliances Website 24 hours a day, any day of the year! You can also shop for more great GE Appliances products and take advantage of all our on-line support services designed for your convenience. In Canada: [GEAppliances.ca](http://GEAppliances.ca)

---

## Register Your Appliance

Register your new appliance on-line at your convenience! Timely product registration will allow for enhanced communication and prompt service under the terms of your warranty, should the need arise. You may also mail in the pre-printed registration card included in the packing material. In the US: [GEAppliances.ca/en/support/register-your-appliance](http://GEAppliances.ca/en/support/register-your-appliance)

---

## Schedule Service

Expert GE Appliances repair service is only one step away from your door. Get on-line and schedule your service at your convenience any day of the year. In Canada: [GEAppliances.ca/en/support/service-request](http://GEAppliances.ca/en/support/service-request) or call 800.561.3344 during normal business hours.

---

## Parts and Accessories

Individuals qualified to service their own appliances can have parts or accessories sent directly to their homes (VISA, MasterCard and Discover cards are accepted). Contact your local authorized GE Appliances parts distributor for more information or call us by phone at 800.561.3344 during normal business hours.

**Instructions contained in this manual cover procedures to be performed by any user. Other servicing generally should be referred to qualified service personnel. Caution must be exercised, since improper servicing may cause unsafe operation.**

---

## Contact Us

If you are not satisfied with the service you receive from GE Appliances, contact us on our Website with all the details including your phone number, or write to:

In Canada: Director, Consumer Relations, MC Commercial Inc | Suite 310,1 Factory Lane | Moncton, N.B. E1C 9M3  
[GEAppliances.ca/en/contact-us](http://GEAppliances.ca/en/contact-us)