

Installation Instructions

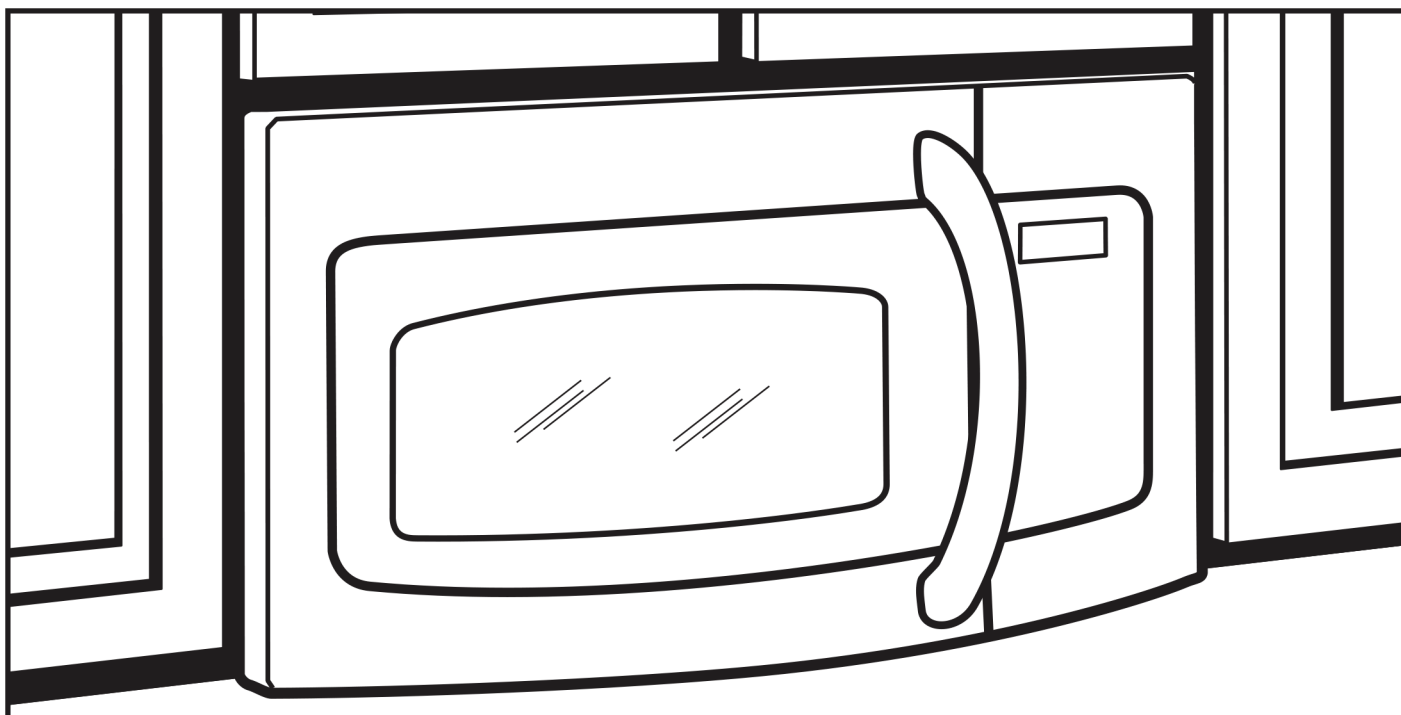
Over the Range Microwave Oven

Questions? Call 800.561.3344 or Vis it our Website at: GEAppliances.ca

BEFORE YOU BEGIN

Read these instructions completely and carefully.

- **IMPORTANT** – Save these instructions for local inspector's use.
- **IMPORTANT** – Observe all governing codes and ordinances.
- **Note to Installer** – Be sure to leave these instructions with the Consumer.
- **Note to Consumer** – Keep these instructions for future reference.
- **Skill level** – Installation of this appliance requires basic mechanical and electrical skills.
- Proper installation is the responsibility of the installer.
- Product failure due to improper installation is not covered under the Warranty.



**READ CAREFULLY.
KEEP THESE INSTRUCTIONS.**

Installation Instructions

General information

Introduction	3
BEFORE YOU BEGIN	3
IMPORTANT SAFETY INSTALLATIONS	3
ELECTRICAL REQUIREMENTS	3
HOOD EXHAUST	4
DAMAGE – SHIPMENT/INSTALLATION	6
PARTS INCLUDED	6
TOOLS YOU WILL NEED	7
MOUNTING SPACE	7

Step-by-step installation guide

PLACEMENT OF THE MOUNTING PLATE	8-12
A. REMOVING THE MICROWAVE OVEN FROM THE CARTON/REMOVING THE MOUNTING PLATE	8
B. FINDING THE WALL STUDS	8
C. DETERMING TOP LINE OF REAR WALL TEMPLATE LOCATION	9
D. ALIGNING TOP LINE OF REAR WALL TEMPLATE	12
INSTALLATION TYPES(ChooseA, BorC)	13-24
A. OUTSIDE TOP EXHAUST (Vertical Duct) DEFAULT	14-17
A1. ATTACH MOUNTING PLATE TO The WALL	14
A2. USE TOP CABINET TEMPLATE FOR PREPARATION OF TOP CABINET	15
A3. CHECK FOR PROPER DAMPER OPERATION	15
A4. MOUNT THE MICROWAVE OVEN	16
A5. ADJUST THE EXHAUST ADAPTOR	17
A6. CONNECTING DUCTWORK	17
B. OUTSIDE BACK EXHAUST (Horizontal Duct)	18-21
B1. PREPARING THE REAR WALL TEMPLATE FOR OUTSIDE BACK EXHAUST	18
B2. ATTACH MOUNTING PLATE TO The WALL	19
B3. USE TOP CABINET TEMPLATE FOR PREPARATION OF TOP CABINET	19
B4. ADAPTING MICROWAVE BLOWER FOR OUTSIDE BACK EXHAUST	19
B5. MOUNT THE MICROWAVE OVEN	21

C. RECIRCULATING (Non-Vented Ductless)	22-25
C1. ATTACH THE MOUNTING PLATE TO The Wall	22
C2. USE TOP CABINET TEMPLATE FOR PREPARATION OF TOP CABINET	22
C3. ADAPTING BLOWER FOR RECIRCULATION	23
C4. MOUNT THE MICROWAVE OVEN	24
BEFORE YOU USE YOUR MICROWAVE	25

Installation Instructions

Introduction

This installation guide will show you how to install your new over-the-range microwave.

BEFORE YOU BEGIN

Read these instructions completely and carefully.

- IMPORTANT – Save these instructions for local inspector's use.
- IMPORTANT – Observe all governing codes and ordinances.
- Note to Installer – Be sure to leave these instructions with the consumer.
- Note to Consumer – Keep these instructions for future reference.
- Skill level – Installation of this appliance requires basic mechanical and electrical skills.
- Proper installation is the responsibility of the installer.
- Product failure due to improper installation is not covered under the Warranty.

IMPORTANT SAFETY INSTRUCTIONS

IMPORTANT–PLEASE READ CAREFULLY. FOR PERSONAL SAFETY, THIS APPLIANCE MUST BE PROPERLY GROUNDED TO AVOID SEVERE OR FATAL SHOCK.

This product requires a three-prong, properly grounded outlet for safe operation. If not properly grounded, or if the outlet box does not meet electrical requirements noted (under [ELECTRICAL REQUIREMENTS](#)), a qualified electrician should be employed to correct any deficiencies.

The power cord of this appliance is equipped with a three-prong (grounding) plug which mates with a standard three-prong (grounding) wall receptacle to minimize the possibility of electric shock hazard from this appliance.

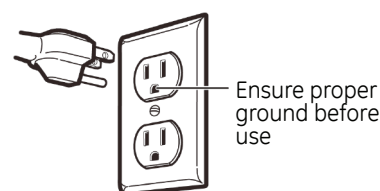
You should have the wall receptacle and circuit checked by a qualified electrician to make sure that the receptacle is properly grounded.

Where a standard two-prong wall receptacle is encountered, it is very important to have it replaced with a properly grounded three-prong wall receptacle installed by a qualified electrician.

DO NOT, UNDER ANY CIRCUMSTANCES, CUT, DEFORM, OR REMOVE ANY OF THE PRONGS FROM THE POWER CORD. DO NOT USE WITH AN EXTENSION CORD.

Note

For easier installation and personal safety, it is recommended that two people install this product.

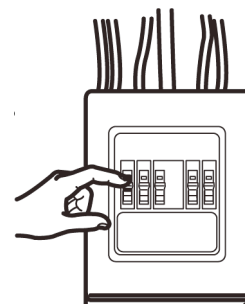


Caution

For personal safety, remove the house fuse or open the circuit breaker before beginning installation to avoid severe or fatal shock injury.

For personal safety, the mounting surface must be capable of supporting the cabinet load, in addition to the added weight of this 50-70 pound (22.6-31.7 kilogram) product, plus additional oven loads of up to 50 pounds (22.6 kilograms) for a total weight of 100-120 pounds (45.2-54.3 kilograms).

For personal safety, this product cannot be installed in cabinet arrangements such as an island or a peninsula. It must be mounted to BOTH a top cabinet AND a wall.



ELECTRICAL REQUIREMENTS

The product rating of your microwave is 120 volts AC, 60 Hertz, 15 amps, and 1.65 kilowatts. This product must be connected to a supply circuit of the proper voltage and frequency. Wire size must conform to the requirements of the National Electrical Code or the prevailing local code for this kilowatt rating. The power supply cord and plug should be brought to a separate 20 ampere branch circuit single grounded outlet. The outlet box should be located in the cabinet above the microwave oven. The outlet box and supply circuit should be installed by a qualified electrician and conform to the National Electrical Code or the prevailing local code.

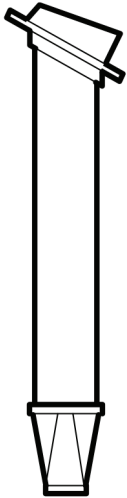
Installation Instructions

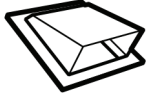


HOOD EXHAUST

NOTE: Read these next two pages only if you plan to vent your exhaust to the outside. If you plan to recirculate the air back into the room, proceed to page 6.

OUTSIDE TOP EXHAUST (EXAMPLE ONLY)

The following chart describes an example of one possible ductwork in stallation.



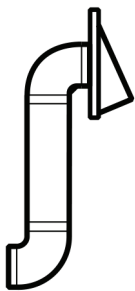
DUCT PIECES		EQUIVALENT LENGTH	x	NUMBER USED	=	EQUIVALENT LENGTH
	Roof Cap	24 Ft.	x	(1)	=	24 Ft.
	12 Ft. Straight Duct (6" Round)	12 Ft.	x	(1)	=	12 Ft.
	Rectangular-to-Round Transition Adaptor*	5 Ft.	x	(1)	=	5 Ft.
Total Length					=	41 Ft.

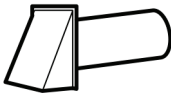


Equivalen lengths of duct pieces are based on actual tests and reflect requirement for good venting performance with any vent hood.

*** IMPORTANT:** If a rectangular-to -round transition adaptor is used, the bottom corners of the damper will have to be cut to fit, using the tin snips, in order to allow free movement of the damper.

OUTSIDE BACK EXHAUST (EXAMPLE ONLY)

The following chart describes an example of one possible ductwork in stallation.



DUCT PIECES		EQUIVALENT LENGTH	x	NUMBER USED	=	EQUIVALENT LENGTH
	Wall Cap	40 Ft.	x	(1)	=	40 Ft.
	3 Ft. Straight Duct (3¼" x 10" Rectangular)	3 Ft.	x	(1)	=	3 Ft.
	90° Elbow	10 Ft.	x	(1)	=	20 Ft.
Total Length					=	63 Ft.

Equivalen lengths of duct pieces are based on actual tests and reflect requirement for good venting performance with any vent hood.

NOTE: For back exhaust, case should be taken to align exhaust with space between studs, or wall should be prepared at the time it is constructed by leaving enough space between the wall studs to accommodate exhaust.

Installation Instructions

NOTE: If you need to install ducts, note that the total duct length of 3 1/4" x 10" rectangular or 6" diameter round duct **should not exceed 140 equivalent feet.**

Outside ventilation requires a HOOD EXHAUST DUCT. Read the following carefully.

NOTE: It is important that venting be installed using the most direct route and with as few elbows as possible. This ensures clear venting of exhaust and helps prevent blockages. **Also, make sure dampers swing freely and nothing is blocking the ducts.**

Exhaust connection:


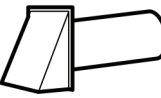


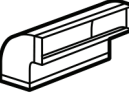
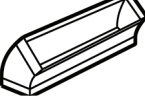
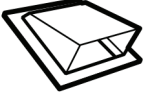

The hood exhaust has been designed to be made with a standard 3 1/4" x 10" rectangular duct.

If a round duct is required, a rectangular-to-round transitioning adaptor must be used. **Do not use less than a 6" diameter duct.**

Maximum duct length:

For satisfactory air movement, the total duct length of 3 1/4" x 10" rectangular or 6" diameter round duct should not exceed 140 equivalent feet.

Elbows, transitions, wall and roof caps, etc., present additional resistance to airflow and are equivalent to a section of straight duct which is longer than their actual physical size. When calculating the total duct length, add the equivalent lengths of all transitions and adaptors plus the length of all straight duct sections. The chart below shows you how to calculate total equivalent ductwork length using the approximate feet of equivalent length of some typical ducts.

DUCT PIECES		EQUIVALENT LENGTH	x	NUMBER USED	=	EQUIVALENT LENGTH
	Rectangular-to-Round Transition Adaptor*	5 Ft.	x	()	=	Ft.
	Wall Cap	40 Ft.	x	()	=	Ft.
	90° Elbow	10 Ft.	x	()	=	Ft.
	45° Elbow	5 Ft.	x	()	=	Ft.
	90° Elbow	25 Ft.	x	()	=	Ft.
	45° Elbow	5 Ft.	x	()	=	Ft.
	Roof Cap	24 Ft.	x	()	=	Ft.
	Straight Duct 6" Round or 3 1/4" x 10" Rectangular	1 Ft.	x	()	=	Ft.
Total Ductwork					=	Ft.



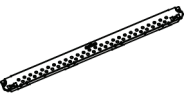

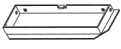
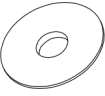

*** IMPORTANT:** If a rectangular-to-round transition adaptor is used, the bottom corners of the damper will have to be cut to fit, using the tin snips, in order to allow free movement of the damper. Equivalent lengths of duct pieces are based on actual tests and reflect requirements for good venting performance with any vent hood.

Installation Instructions






DAMAGE-SHIPMENT/INSTALLATION

- If the unit is damaged in shipment, return the unit to the store in which it was bought for repair or replacement.
- If the unit is damaged by the customer, repair or replacement is the responsibility of the customer.
- If the unit is damaged by the installer (if other than the customer), repair or replacement must be made by arrangement between customer and installer.

PARTS INCLUDED

PART		QUANTITY
	Mounting-Plate	1
	shelf	1
	exhaust adaptor	1
	Washer	2
	Sheet Metal Screw	2



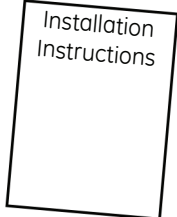
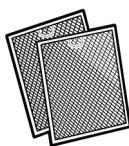
HARDWARE PACKET

PART		QUANTITY
	Wood Screws ($\frac{1}{4}$ " x 2")	2
	Wing nuts	2
	Machine Screws ($\frac{5}{16}$ " x 3")	2
	Self-aligning Machine Screws ($\frac{1}{4}$ "-20 x 3")	2
	Nylon Grommet (formetal cabinets)	1

you will find the installation hardware contained in a packet with the unit. Check to make sure you have all these parts.



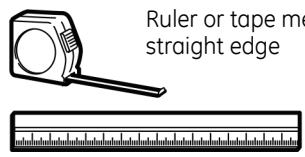
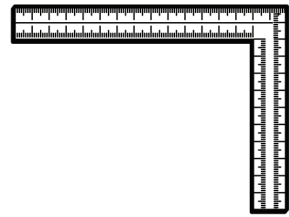
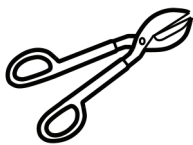

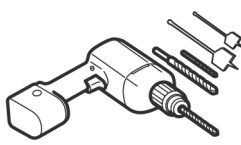




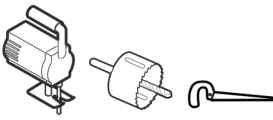

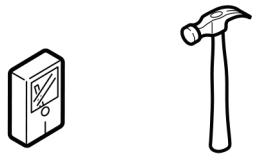
NOTE: Some extra parts are included.

ADDITIONAL PARTS

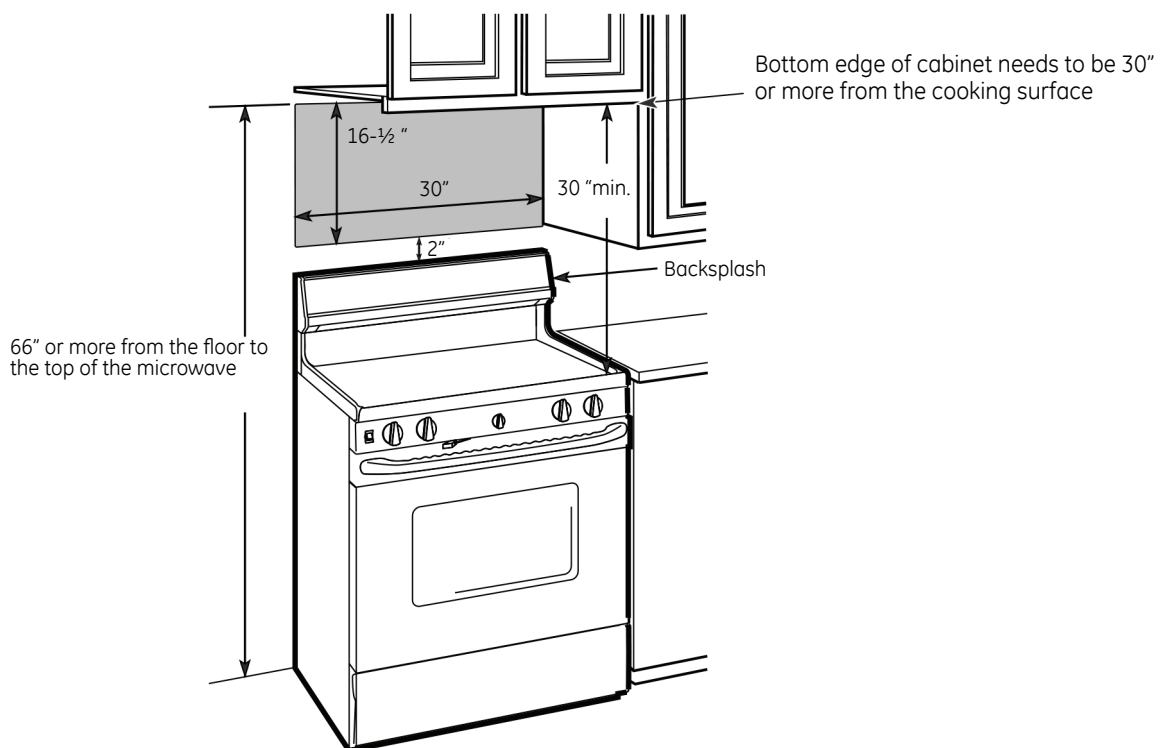
PART		QUANTITY
	Top Cabinet Template	1
	Rear Wall Template	1
	Installation Instructions	1
	Separately Packed Grease Filters	2

Installation Instructions

TOOLS YOU WILL NEED

 <p>#1 and #2 Phillips screwdrivers</p>	 <p>Pencil</p>	 <p>Ruler or tape measure straight edge</p>	 <p>Carpenter square (optional)</p>
 <p>Tin snips (to cut damper, if needed)</p>	 <p>Scissors (to cut template, if needed)</p>	 <p>Electric drill with 3/16", 1/2", and 5/8" bits</p>	
 <p>Gloves</p>	 <p>Safety goggles</p>	 <p>Duct and masking tape</p>	 <p>Filler blocks or scrap wood pieces (for top cabinet spacing in recessed bottom cabinet installations, if needed)</p>
 <p>Saw (saber, hole, or keyhole)</p>	 <p>Level</p>		 <p>Edge-to-edge stud finder or Hammer (optional)</p>

MOUNTING SPACE



NOTES :

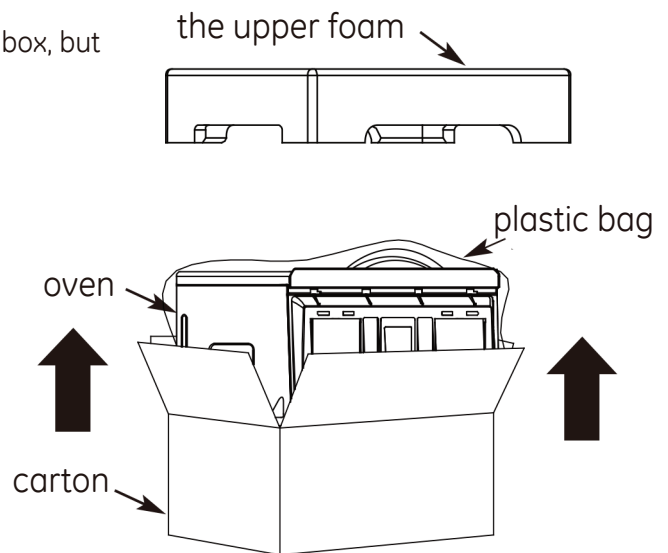
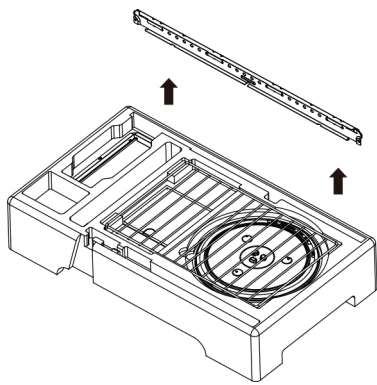
- The space between the cabinets must be 30" wide and free of obstructions.
- If the space between the cabinets is greater than 30", you'll need filler material to fill the gap between the microwave oven and the cabinets.
- This microwave oven is for installation over ranges up to 36" wide.
- If you are going to vent your microwave oven to the outside, see Hood Exhaust Section for exhaust duct preparation.
- When installing the microwave oven beneath smooth, flat cabinets, be careful to follow the instruction for power cord clearance. Make sure that you leave enough space for the power cord clearance.

Installation Instructions

1. PLACEMENT OF THE MOUNTING PLATE

A. REMOVING THE MICROWAVE OVEN FROM THE CARTON/REMOVING THE MOUNTING PLATE

1. Open the carton and remove the upper foam from the box, but remember to keep the accessories.
2. Pull the oven out of the carton and remove the plastic bag carefully.
3. Take the mounting bracket out from the upper foam.



B. FINDING THE WALL STUDS

1. Find the wall studs, using one of the following methods

A. Wall stud finder-a magnetic device which locates nails.

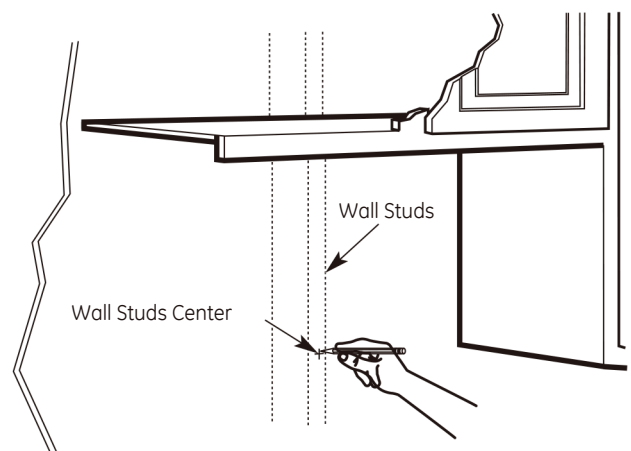
OR

B. Use a hammer to tap lightly across the mounting surface to find a solid sound. This will indicate a wall stud location.

2. After locating the stud(s), find the center by probing the wall with a small nail to find the edges of the wall stud. Then place a mark halfway between the edges. The center of any adjacent wall studs should be 16 or 24 from this mark.

3. Draw a line down the center of the wall studs.

THE MICROWAVE MUST BE CONNECTED TO AT LEAST ONE WALL STUD.



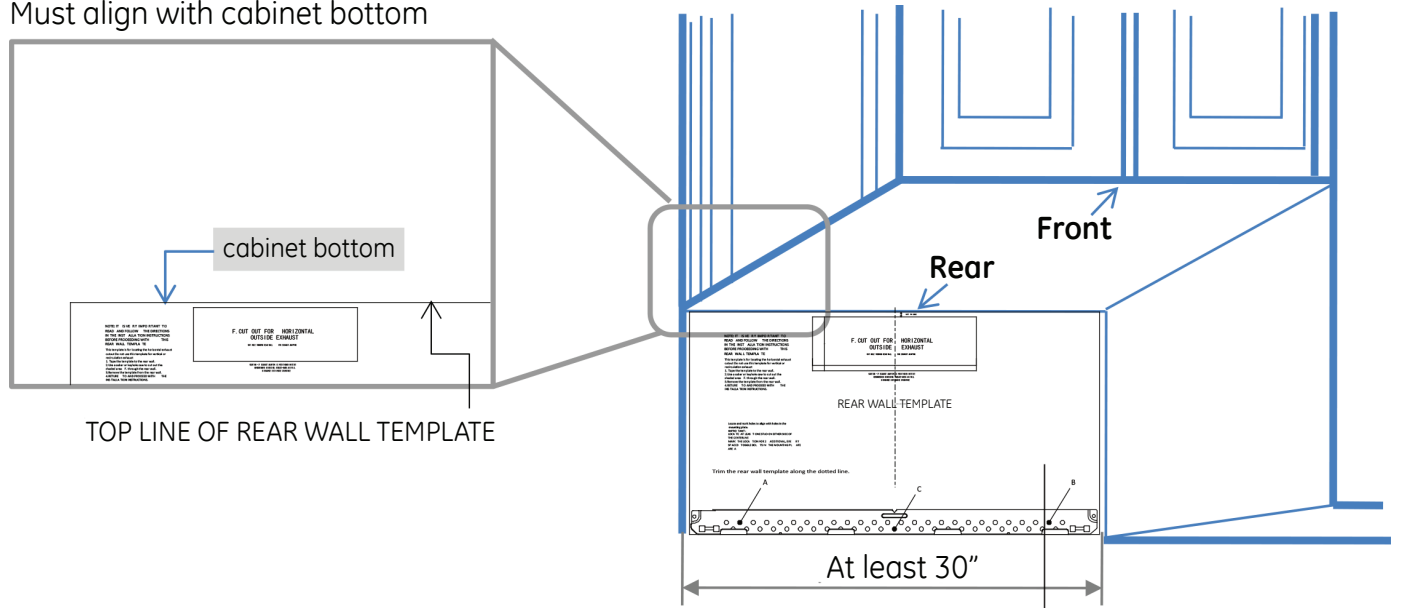
Installation Instructions

C. DETERMINING TOP LINE OF REAR WALL TEMPLATE LOCATION UNDER YOUR CABINET

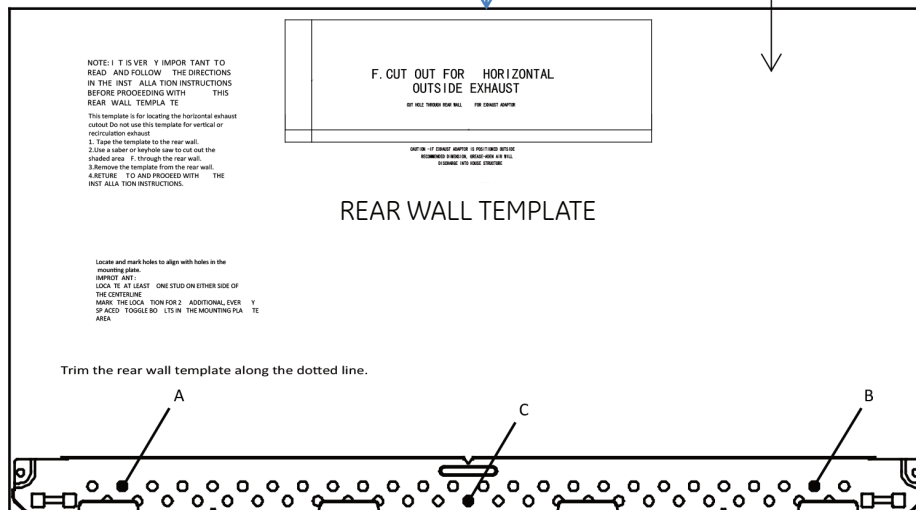
The bottom of the cabinet have three types

1. Beneath flat bottom cabinet

TOP LINE OF REAR WALL TEMPLATE
Must align with cabinet bottom



TOP LINE OF REAR WALL TEMPLATE

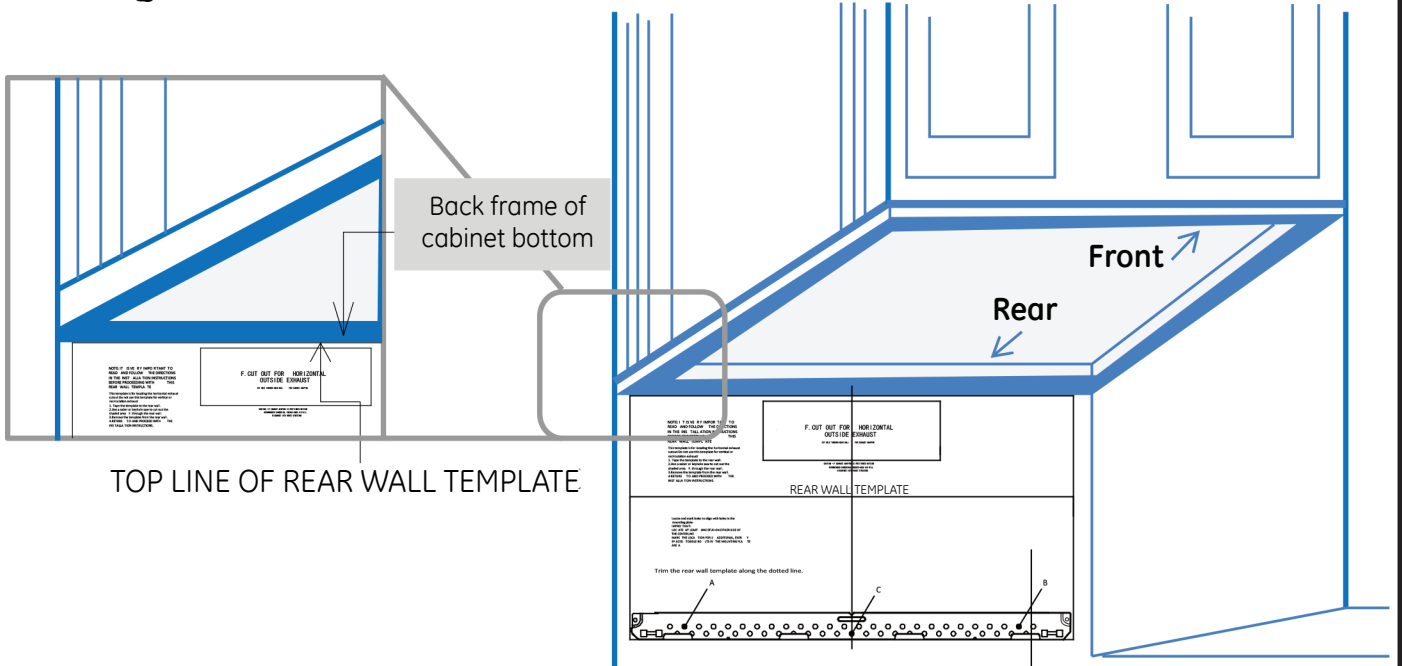


Installation Instructions

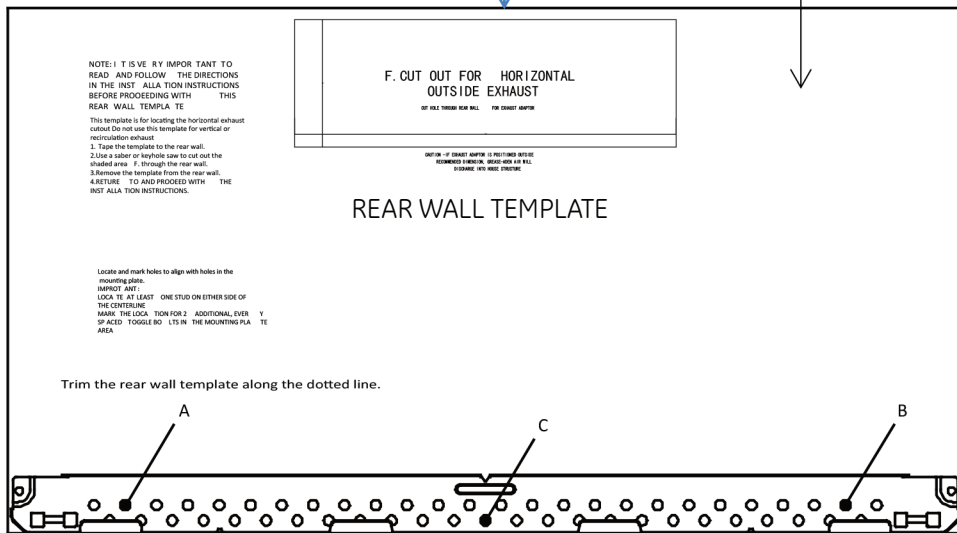
2. Beneath framed recessed cabinet

TOP LINE OF REAR WALL TEMPLATE

Must align with the back frame of cabinet bottom



TOP LINE OF REAR WALL TEMPLATE



Installation Instructions

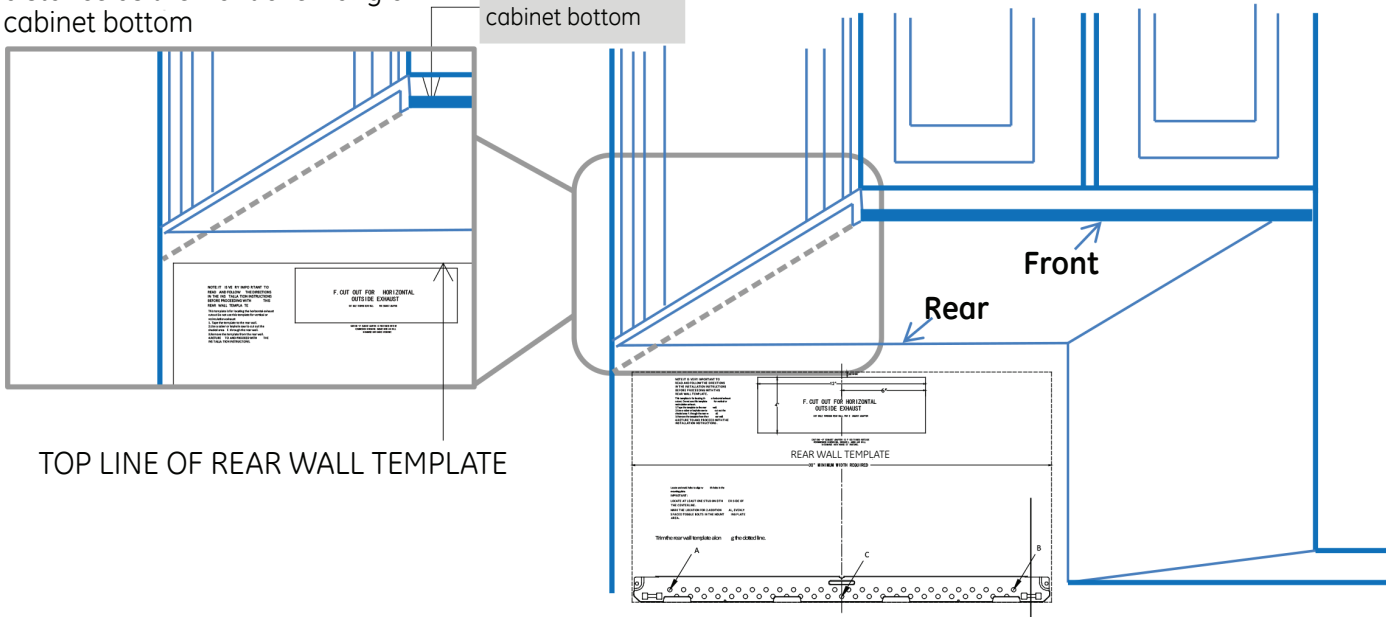
3. Beneath framed recessed bottom cabinet with front overhang

TOP LINE OF REAR WALL TEMPLATE

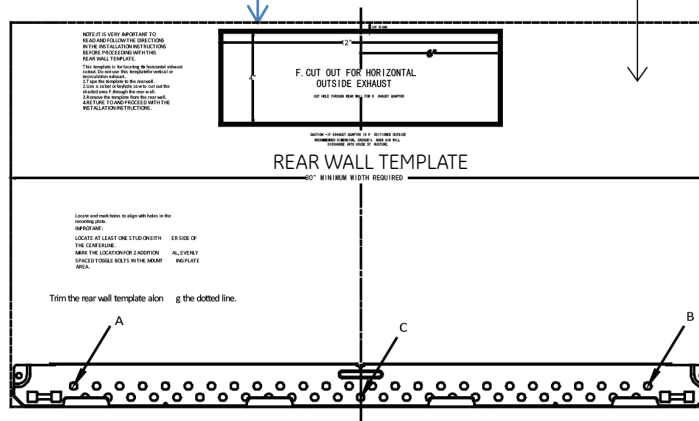
Must align with below cabinet bottom the same distance as the front overhang of cabinet bottom.

below cabinet bottom the same distance as the front overhang of cabinet bottom

Front overhang of cabinet bottom



TOP LINE OF REAR WALL TEMPLATE



Your cabinets may have decorative trim that interferes with the microwave installation. Remove the decorative trim to install the microwave properly and to make it level.

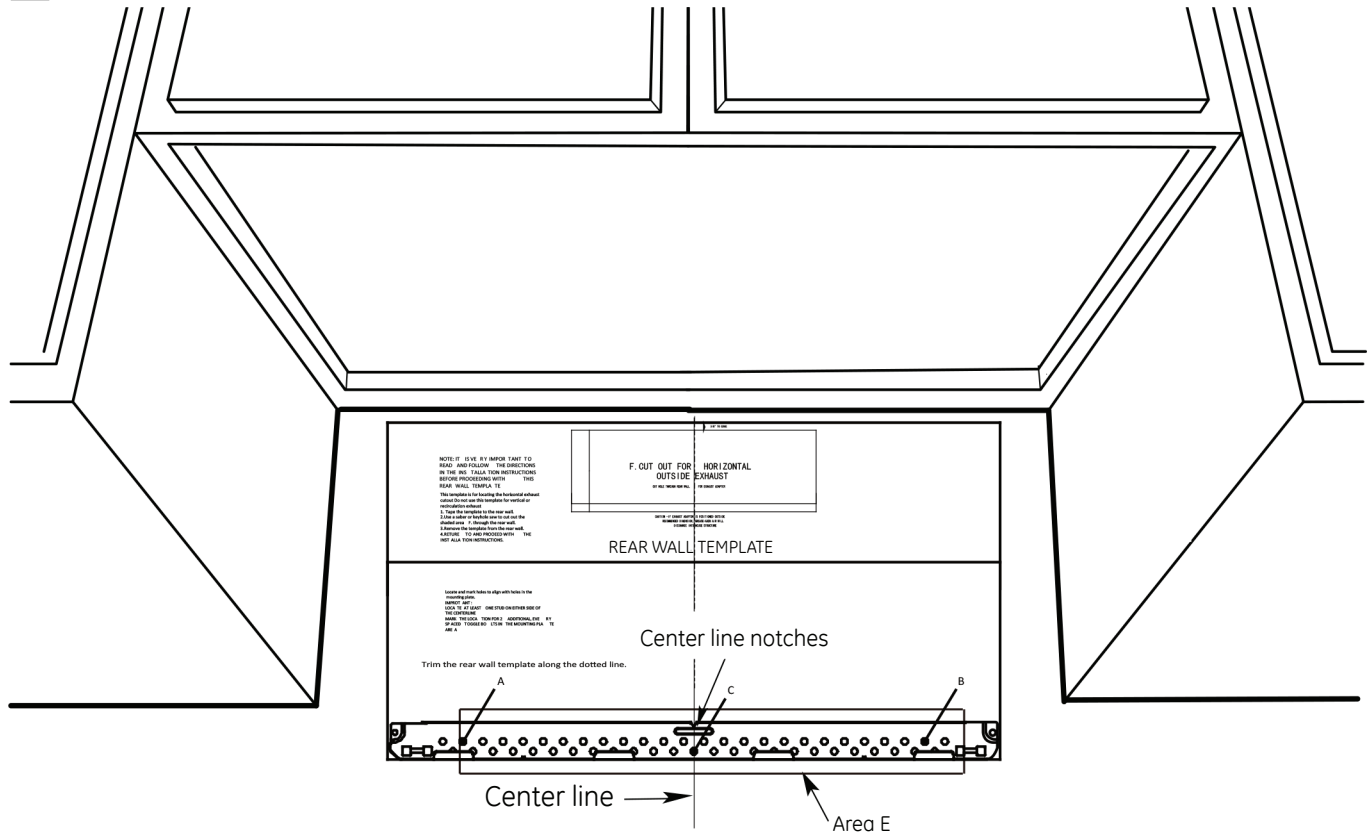
THE MICROWAVE MUST BE LEVEL

Use a level to make sure the cabinet bottom is level. If the cabinets have a front overhang only, with no back or side frame, top line of rear wall template must align with below cabinet bottom, the same distance as the front overhang depth. this will keep the microwave level.

1. Measure the inside depth of the front overhang.
2. Draw a horizontal line on the back wall an equal distance below the cabinet bottom as the inside depth of the front overhang.
3. For this type of installation with front overhang only, align top line of rear wall template with this horizontal line, not touching the cabinet bottom as described in step D.

Installation Instructions

D. ALIGNING TOP LINE OF REAR WALL TEMPLATE



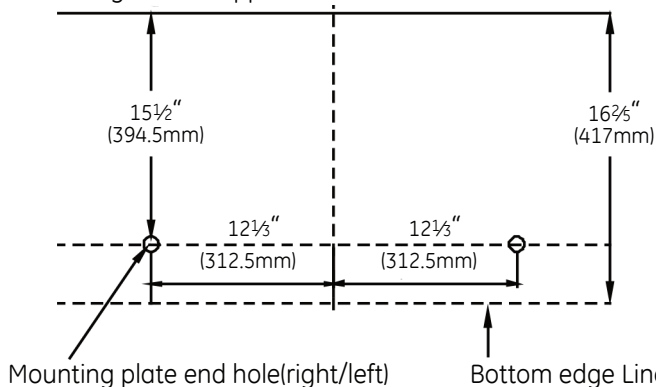
CAUTION: Wear gloves to avoid cutting fingers on sharp edges.

1. Using tape measure, drawing a vertical line on the wall at the center of the 30" wide space.
2. Tape the rear wall template on the cabinet wall, align the center markers on the rear wall template to the centerline on wall, making sure it is level and that the top line of the rear wall template is butted up against the bottom edge of the upper cabinet.
3. According to the shape of cabinet, the location of rear wall template is compliant with the content C. "determining top line of rear wall template location under your cabinet".
4. While taping the rear wall template on the wall draw circles on the wall at hole A,B,C (See illustration above/actual plate marked with arrows).THREE HOLES MUST BE USED FOR MOUNTING. (If there are 2-wall studs in right and left side based on center line Four hole must be used for mounting)
5. Remove the rear wall template and check the marking based on the actual mount plate (centerline, hole A,B,C).
6. Drill holes on the circles. if there is a stud, drill a 3/16" hole for wood screws. Drill 5/8" a hole for toggle bolts.

NOTE: DO NOT MOUNT THE PLATE AT THIS TIME.

8. If the rear wall template is damaged or unusable, measure and mark the wall with the dimensions describe in step E.

bottom edge line of upper cabinet



1. The Bottom edge line of Mounting Plate must be 16 $\frac{2}{5}$ " (417mm) from the Bottom edge Line of Upper cabinet and must be level.
2. Mounting plate end holes must be 15 $\frac{1}{2}$ " (394.5mm) from the Bottom edge Line of Upper cabinet must be on a equal line with each other. They must each be 12 $\frac{1}{3}$ " (312.5mm) from the center line.

Installation Instructions

2. INSTALLATION TYPES (Choose A, B or C)

This microwave oven is designed for adaptation to the following three types of ventilation:

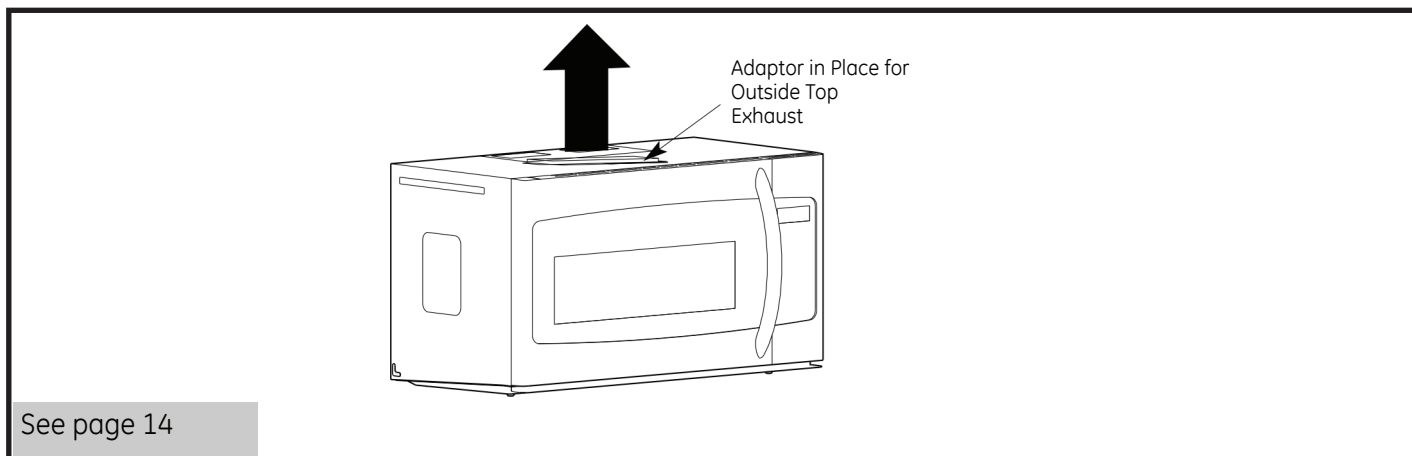
A: Outside Top Exhaust(Vertical Duct)

B: Outside Back Exhaust(Horizontal Duct)

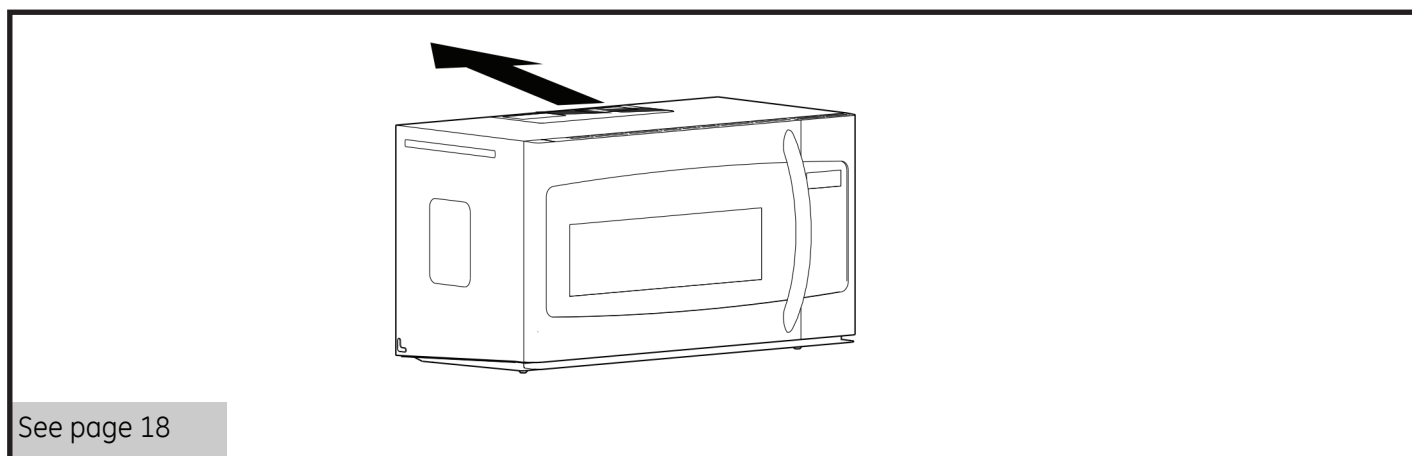
C: Recirculating(Non-Vented Ductless)

NOTE: This microwave is shipped assembled for Recirculating.

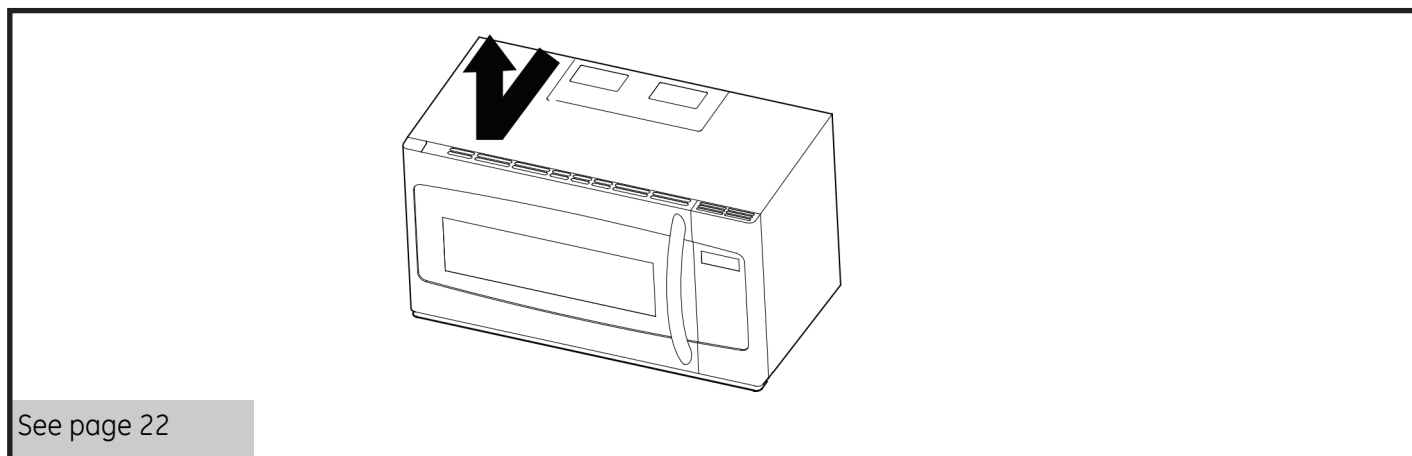
A. OUTSIDE TOP EXHAUST (Vertical Duct)



B. OUTSIDE BACK EXHAUST (Horizontal Duct)



C. RECIRCULATING (Non-vented Ductless)



A Charcoal Filter

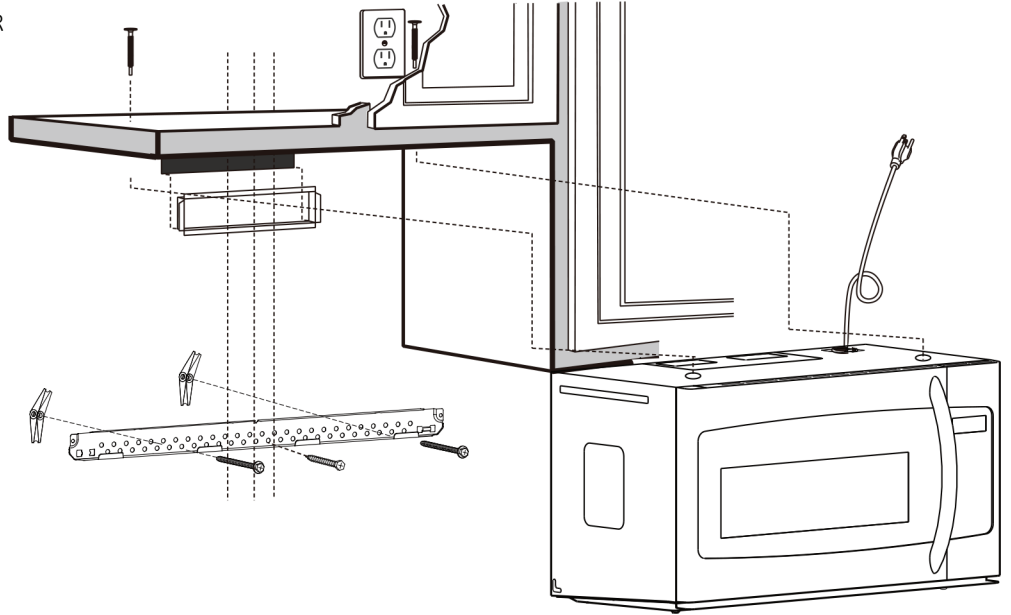
Accessory Kit is required for the non-vented exhaust. (See your USER GUIDE for the kit number.)

Installation Instructions

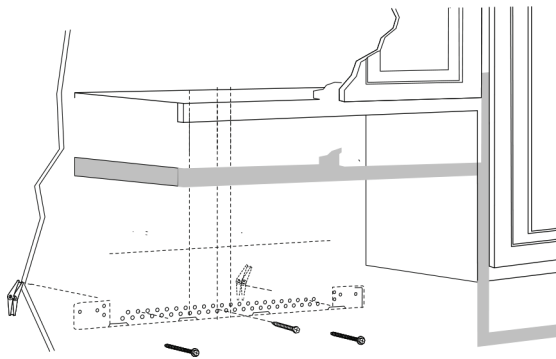
A. OUTSIDE TOP EXHAUST (Vertical Duct) DEFAULT

INSTALLATION OVERVIEW

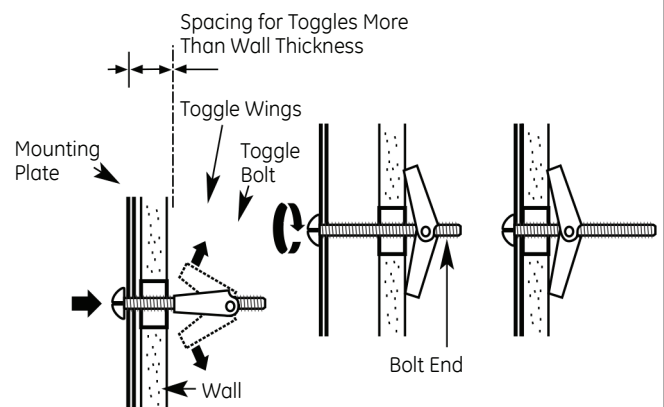
- A1. ATTACH THE MOUNTING PLATE TO THE WALL
- A2. USE TOP CABINET TEMPLATE FOR PREPARATION OF TOP CABINET
- A3. CHECK FOR PROPER DAMPER OPERATION
- A4. MOUNT THE MICROWAVE OVEN
- A5. ADJUST THE EXHAUST ADAPTOR
- A6. CONNECTING DUCTWORK



A1. ATTACH MOUNTING PLATE TO THE WALL



To use toggle bolts



Attach the mounting plate to the wall using the wing nuts and machine screws ($\frac{3}{16}$ " x 3"). At least one wood screw must be used to attach the mounting plate to a wall stud.

1. Insert the machine screws ($\frac{3}{16}$ " x 3") into the mounting plate through the holes designed to go into drywall and attach the toggle wings to $\frac{3}{4}$ " onto each machine screw ($\frac{3}{16}$ " x 3").
2. Place the mounting plate against the wall and insert the toggle wings into the holes in the wall to mount the plate.

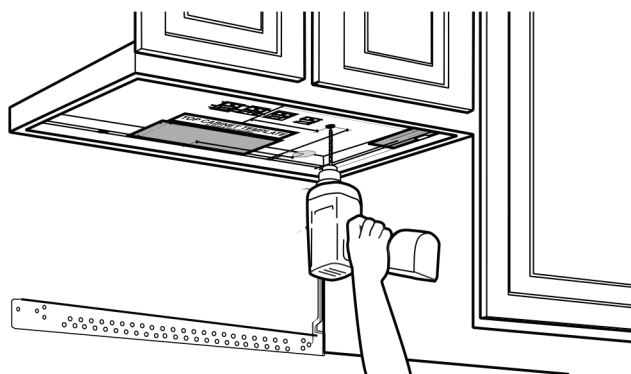
CAUTION: Be careful to avoid pinching fingers between the back of the mounting plate and the wall.

3. Tighten all bolts. Pull the mounting plate away from the wall to help tighten the bolts.

Installation Instructions

A2. USE TOP CABINET TEMPLATE FOR PREPARATION OF TOP CABINET

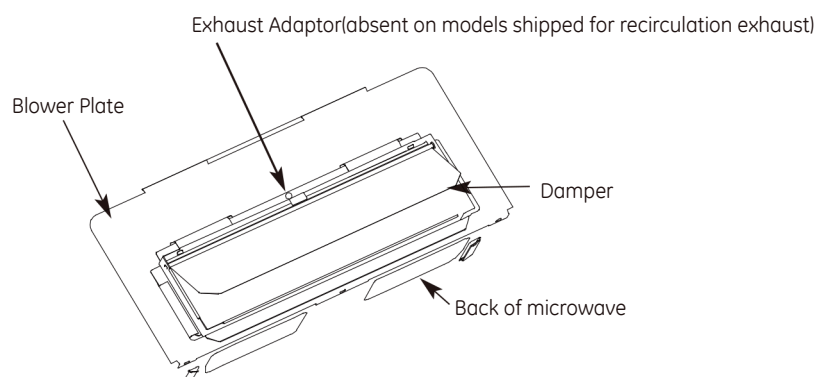
You need to drill holes for the top support screws, a hole large enough for the power cord to fit through, and a cutout large enough for the exhaust adaptor.



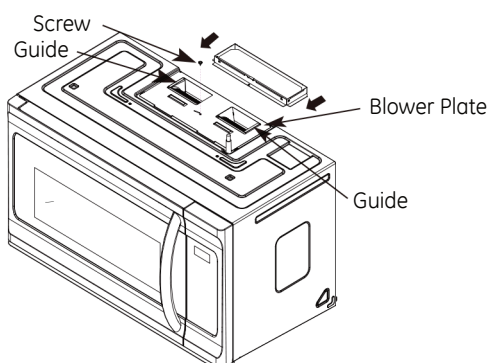
- Read the instructions on the TOP CABINET TEMPLATE.
- Tape it underneath the top cabinet bottom.
- Drill the holes, following the instructions on the TOP CABINET TEMPLATE.

CAUTION: Wear safety goggles when drilling holes in the cabinet bottom.

A3. CHECK FOR PROPER DAMPER OPERATION



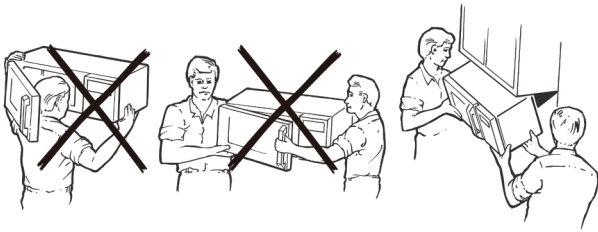
- Place the microwave in its upright position, with the top of the unit facing up.
- The exhaust adaptor only used for top exhaust and outside back exhaust. It is absent on models shipped for recirculation exhaust.
- **Make sure tape securing damper is removed and damper pivots easily before mounting microwave.**
- Attach the exhaust adaptor to the blower plate by sliding it into the guides. Secure the adaptor with one Sheet Metal Screw provided.



- You will need to make adjustment to assure proper alignment with your house exhaust duct after the microwave is installed.

Installation Instructions

A4. MOUNT THE MICROWAVE OVEN



FOR EASIER INSTALLATION AND PERSONAL SAFETY, WE RECOMMEND THAT TWO PEOPLE INSTALL THIS MICROWAVE OVEN.

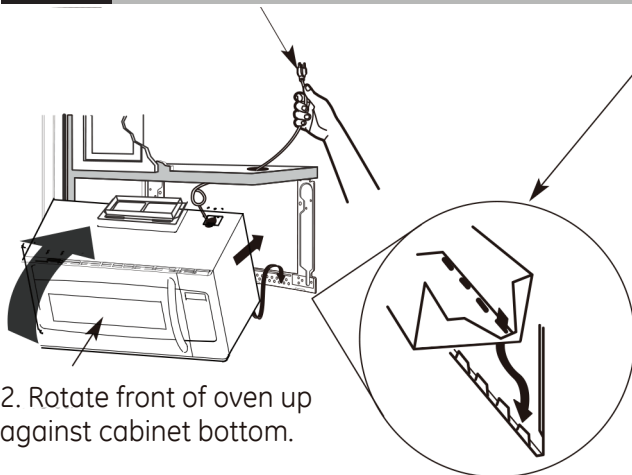
IMPORTANT:

Do not grip or use handle during installation.

If filler blocks are not used, case damage may occur from over tightening screws.

NOTE:

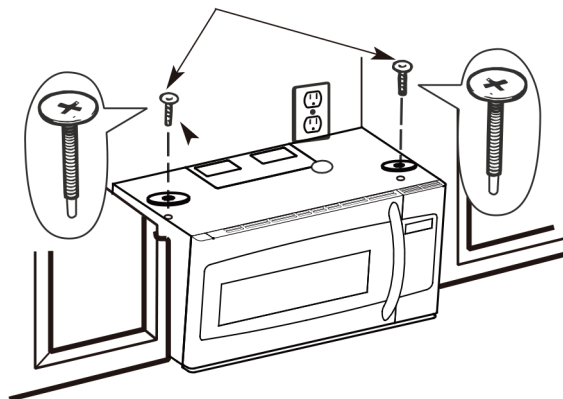
If your cabinet is metal, use the nylon grommet around the power cord hole to prevent cutting of the cord. We recommend using filler blocks if the cabinet front hangs below the cabinet bottom shelf. When mounting the microwave oven, thread power cord through hole in bottom of top cabinet. Keep it tight throughout Step 1-3. Do not pinch cord or lift oven by pulling cord.



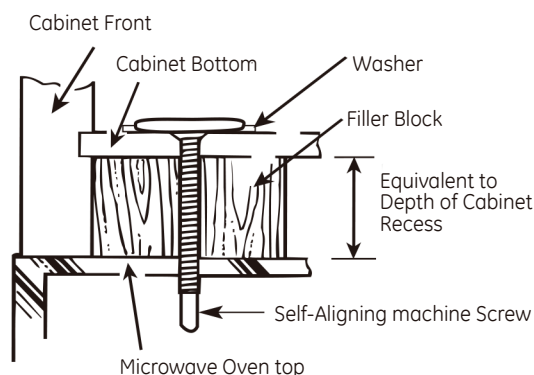
2. Rotate front of oven up against cabinet bottom.

1. Lift microwave, tilt it forward, and hook slots at back bottom edge onto four lower tabs of mounting plate.
2. Rotate front of oven up against cabinet bottom.
3. Attach the microwave oven to the top cabinet.
4. Insert 2 self-aligning machine screws (1/4" - 20X3") through outer top cabinet holes. Temporarily secure the oven by turning the screw at least two full turns after the threads have engaged. (It will be completely tightened later.) Be sure to keep power cord tight. Be careful not to pinch the cord, especially when mounting flush to the bottom of cabinet.

Turn two full turns on each screw.

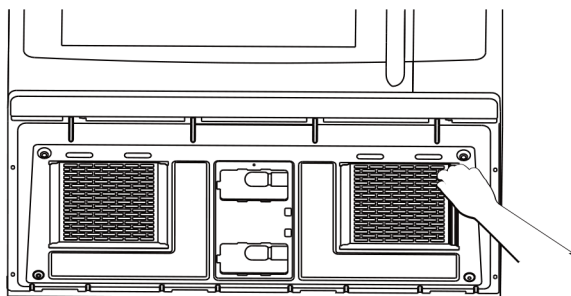


The Filler Block is only used for recessed cabinet, you should place the Filler Block to the cabinet bottom before installing the oven. The specific steps please read the top cabinet template.



5. Tighten the outer two screws to the top of the microwave oven. (During tightening screws, hold the microwave oven in place against the wall and the top cabinet.)

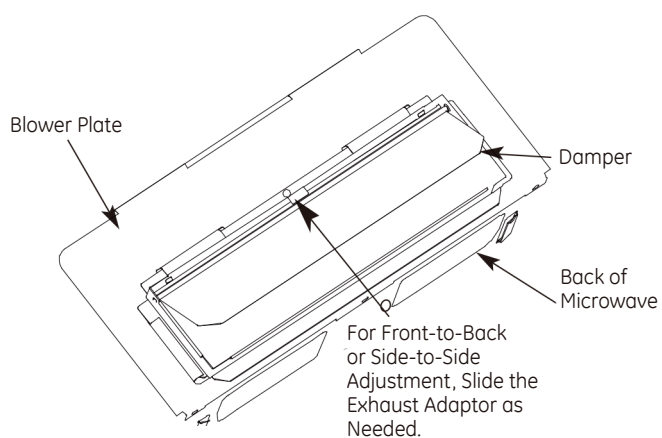
Installation Instructions



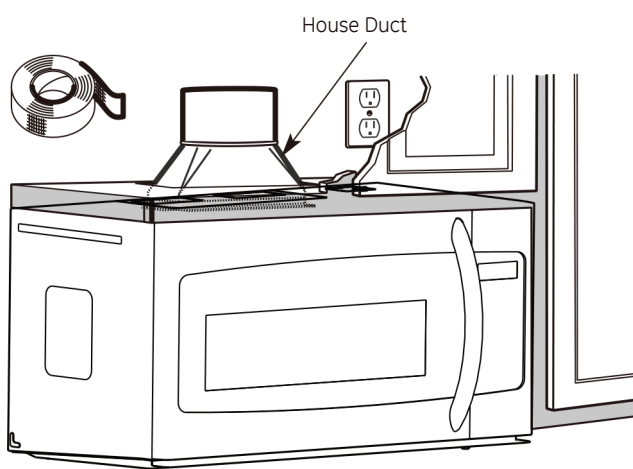
6. Install grease filters. See the USER GUIDE packed with the microwave.

A5. ADJUST THE EXHAUST ADAPTOR

Open the top cabinet and adjust the exhaust adaptor to connect to the house duct.



A6. CONNECTING DUCTWORK



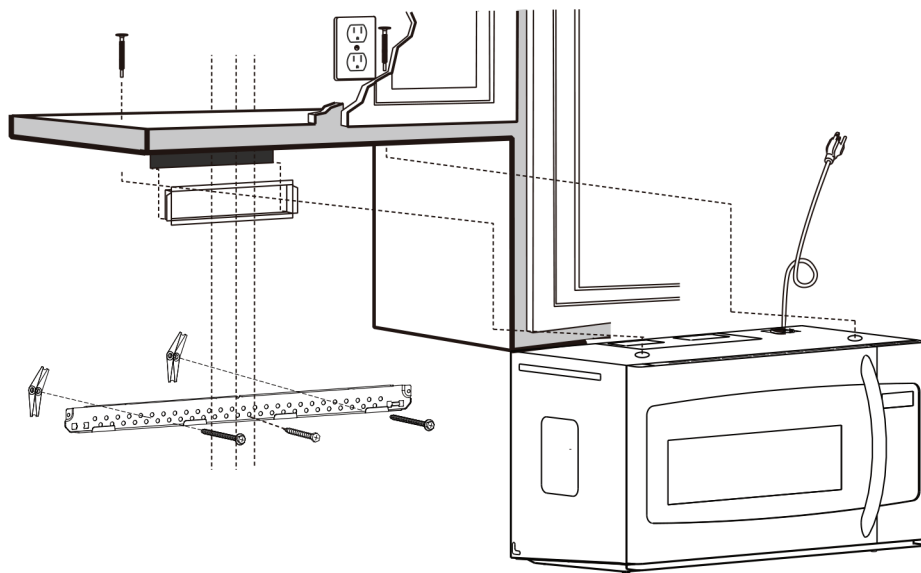
1. Extend the house duct down to connect to the exhaust adaptor.
2. Seal exhaust duct joints using duct tape.

Installation Instructions

B. OUTSIDE BACK EXHAUST (Horizontal Duct)

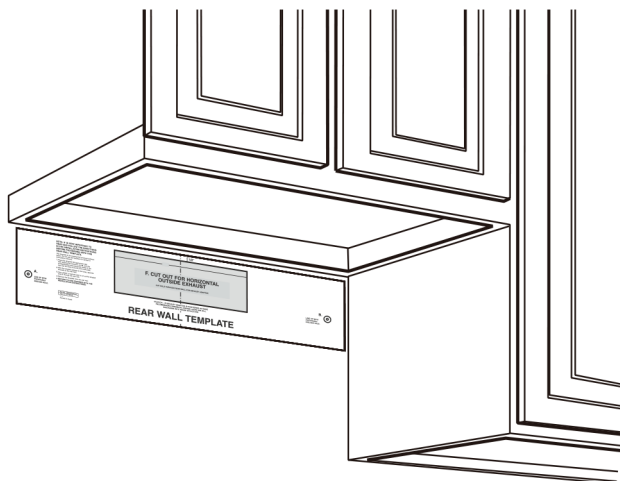
INSTALLATION OVERVIEW

- B1. PREPARING THE REAR WALL TEMPLATE FOR OUTSIDE BACK EXHAUST.
- B2. ATTACH THE MOUNTING PLATE TO THE WALL.
- B3. USE TOP CABINET TEMPLATE FOR PREPARATION OF TOP CABINET.
- B4. ADAPTING MICROWAVE BLOWER FOR OUTSIDE BACK EXHAUST.
- B5. MOUNT THE MICROWAVE OVEN.



B1. PREPARING THE REAR WALL TEMPLATE FOR OUTSIDE BACK EXHAUST

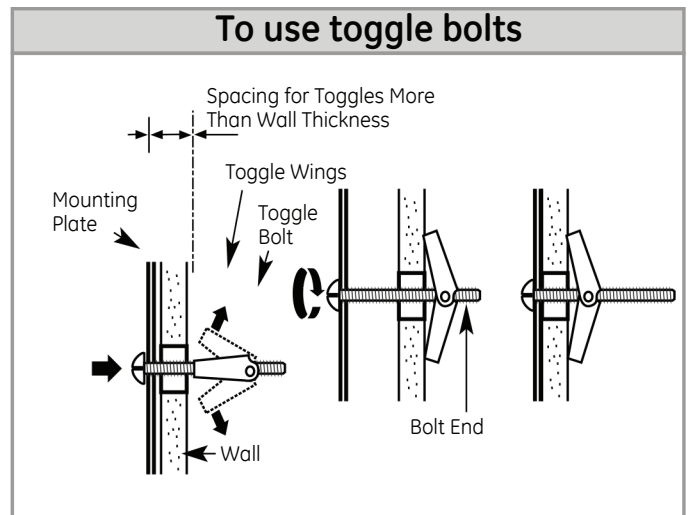
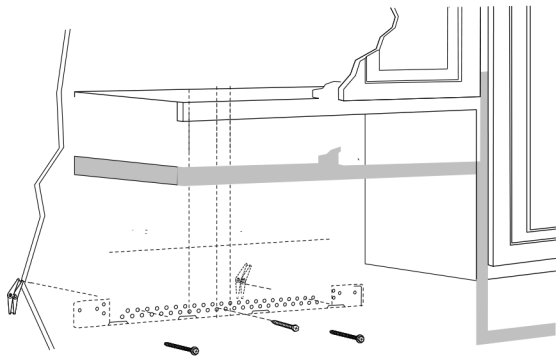
You need to cut an opening (12"×4" square hole) in the rear wall template for outside exhaust.



- Read the instructions on the REAR wall template.
- Tape it to the rear wall, lining up with the holes previously drilled for holes A and B in the wall plate.
- Cut the opening, following the instructions of the REAR WALL TEMPLATE.

Installation Instructions

B2. ATTACH MOUNTING PLATE TO THE WALL



Attach the mounting plate to the wall using the wing nuts and machine screws ($\frac{3}{16}$ " x 3"). At least one wood screw must be used to attach the mounting plate to a wall stud.

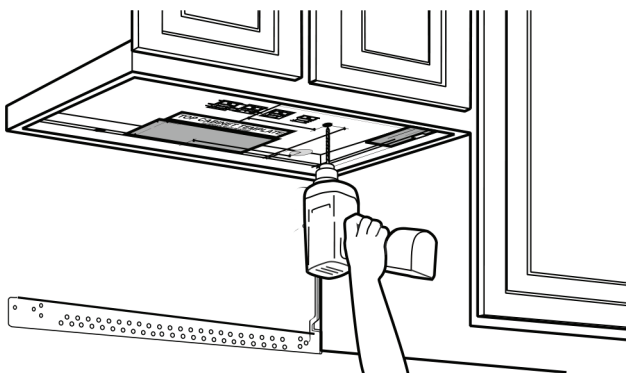
1. Insert the machine screws ($\frac{3}{16}$ " X 3") into the mounting plate through the holes designed to go into drywall and attach the toggle wings to $\frac{3}{4}$ " onto each machine screw ($\frac{3}{16}$ " X 3").
2. Place the mounting plate against the wall and insert the toggle wings into the holes in the wall to mount the plate.

CAUTION: Be careful to avoid pinching fingers between the back of the mounting plate and the wall.

3. Tighten all bolts. Pull the mounting plate away from the wall to help tighten the bolts.

B3. USE TOP CABINET TEMPLATE FOR PREPARATION OF TOP CABINET

You need to drill holes for the top support screws and a hole large enough for the power cord to fit through.

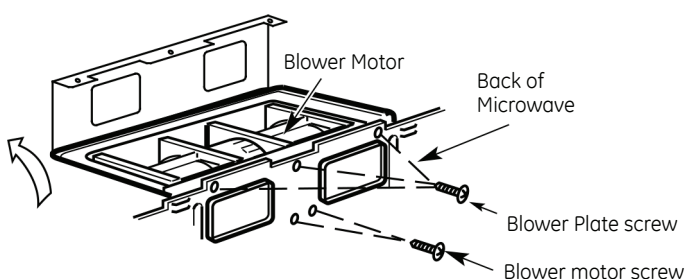


- Read the instructions on the TOP CABINET TEMPLATE.
- Tape it underneath the top cabinet bottom.
- Drill the holes, following the instructions on the TOP CABINET TEMPLATE.

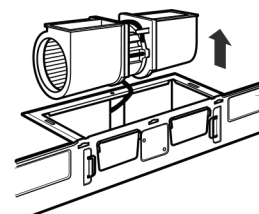
CAUTION: Wear safety goggles when drilling holes in the cabinet bottom.

B4. ADAPTING MICROWAVE BLOWER FOR OUTSIDE BACK EXHAUST

1. Remove and save screw that holds blower motor to microwave, Lift up the blower plate.
2. Carefully pull out the blower unit. The wires will extend far enough to allow you to adjust the blower unit.

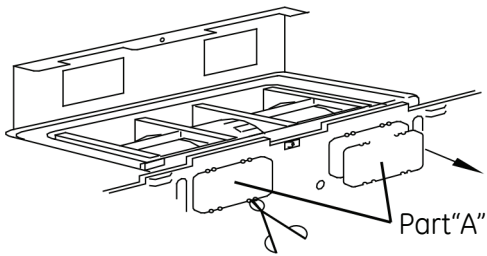


BEFORE : Fan Blade Openings Facing UP

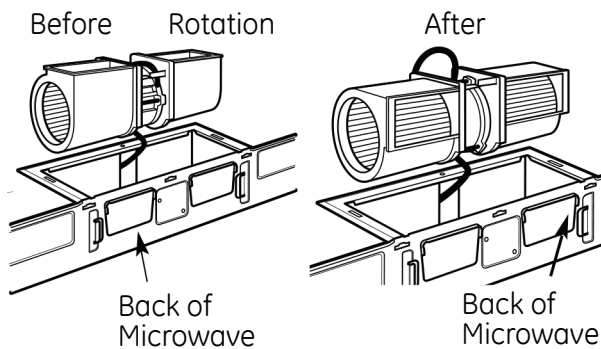


Installation Instructions

3. Remove "Parts A" with Nipper or Scissors.

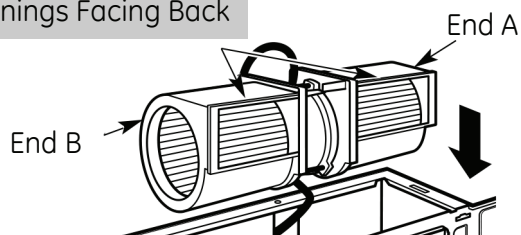


4. Rotate blower unit counterclockwise 90°.



5. Place the blower unit back into the opening.

After Fan Blade
Openings Facing Back



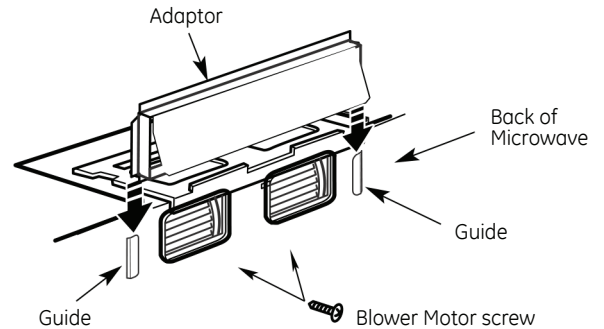
CAUTION:

Do not pull or stretch the blower unit wiring.
Make sure the wires are not pinched.

NOTE:

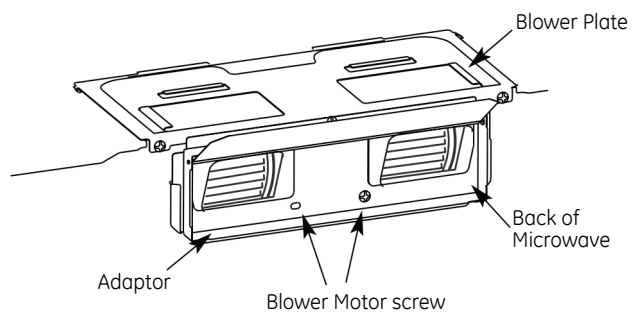
The blower unit exhaust openings should match
exhaust openings on rear of microwave oven.

6. Replace the blower plate in the same position.
7. Attach the exhaust adaptor to the rear of the
oven by sliding it into the guides at the top center
of the back of the oven.

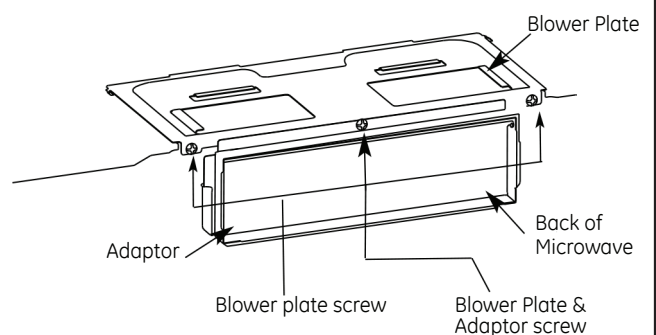


Push in securely until it is in the lower Blower
Motor screw. Take care to assure that the damper
hinge is installed so that it is at the top and that
the damper swings freely.

8. Secure the blower motor unit to the microwave
with screw as before.

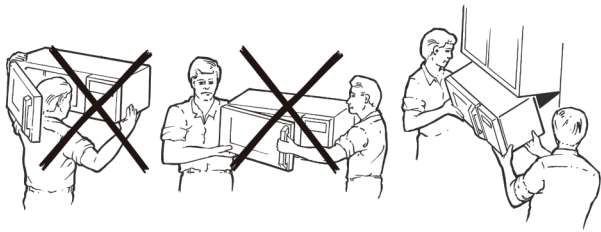


9. Secure the blower plate to the microwave
with screw. Replace the blower plate in the same
position.



Installation Instructions

B5. MOUNT THE MICROWAVE OVEN



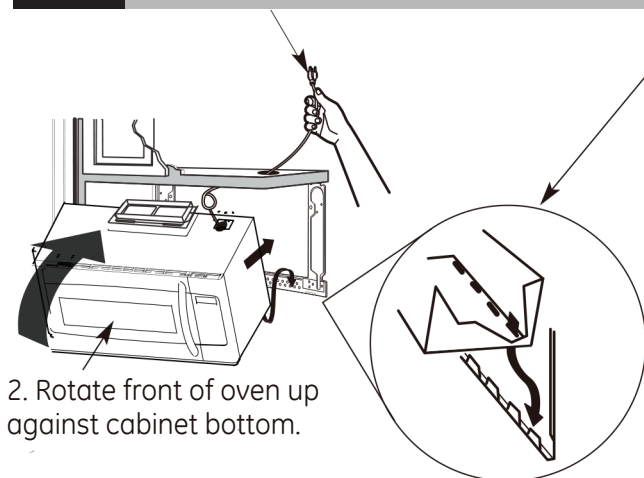
FOR EASIER INSTALLATION AND PERSONAL SAFETY, WE RECOMMEND THAT TWO PEOPLE INSTALL THIS MICROWAVE OVEN.

IMPORTANT:

Do not grip or use handle during installation.
If filler blocks are not used, case damage may occur from over tightening screws.

NOTE:

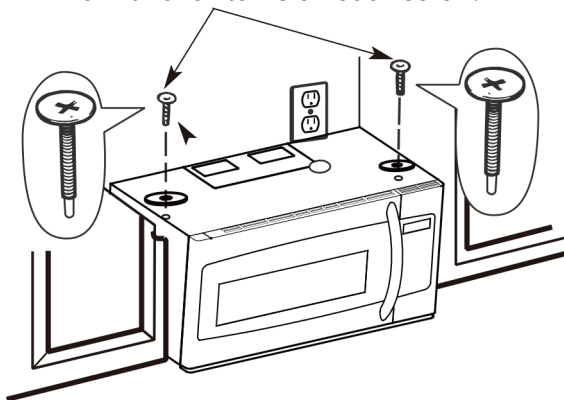
If your cabinet is metal, use the nylon grommet around the power cord hole to prevent cutting of the cord. We recommend using filler blocks if the cabinet front hangs below the cabinet bottom shelf. When mounting the microwave oven, thread power cord through hole in bottom of top cabinet. Keep it tight throughout Step 1-3. Do not pinch cord or lift oven by pulling cord.



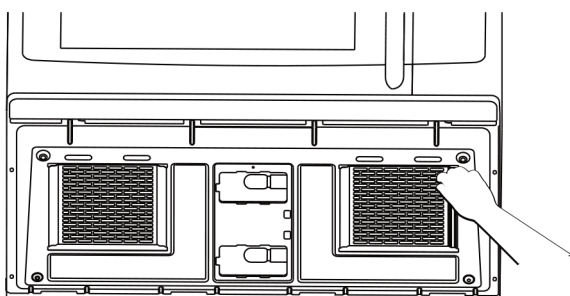
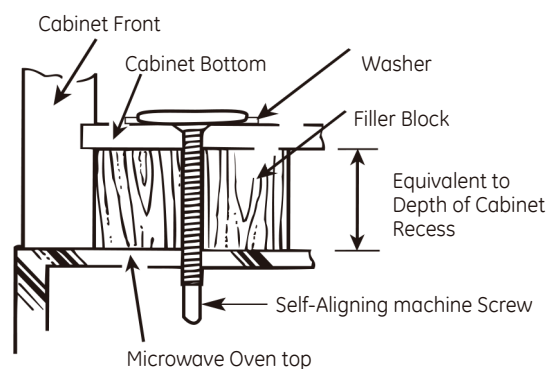
2. Rotate front of oven up against cabinet bottom.

1. Lift microwave, tilt it forward, and hook slots at back bottom edge onto four lower tabs of mounting plate.
2. Rotate front of oven up against cabinet bottom.
3. Attach the microwave oven to the top cabinet.
4. Insert 2 self-aligning machine screws (1/4"-20X3") through outer top cabinet holes. Temporarily secure the oven by turning the screw at least two full turns after the threads have engaged. (It will be completely tightened later.) Be sure to keep power cord tight. Be careful not to pinch the cord, especially when mounting flush to the bottom of cabinet.

Turn two full turns on each screw.



The Filler Block is only used for recessed cabinet, you should place the Filler Block to the cabinet bottom before installing the oven. The specific steps please read the top cabinet template.



5. Tighten the outer two screws to the top of the microwave oven. (During tightening screws, hold the microwave oven in place against the wall and the top cabinet.)

6. Install grease filters. See the USER GUIDE packed with the microwave.

Installation Instructions

C. RECIRCULATING (Non-vented Ductless)

INSTALLATION OVERVIEW

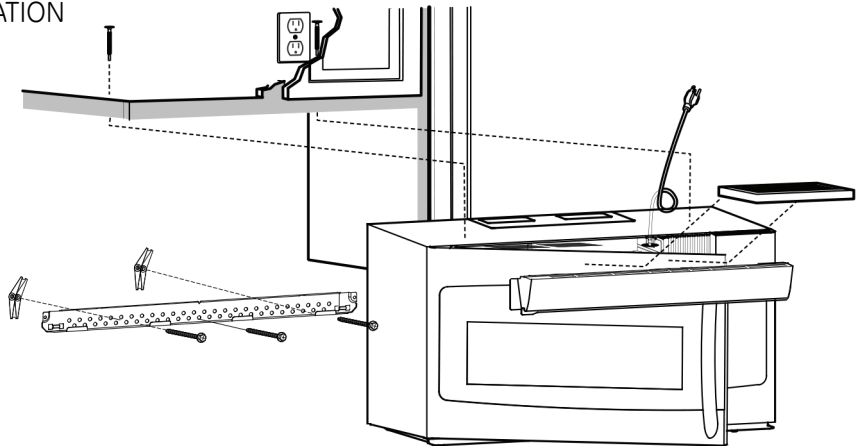
C1. ATTACH THE MOUNTING PLATE TO THE WALL

C2. USE TOP CABINET TEMPLATE FOR PREPARATION OF TOP CABINET

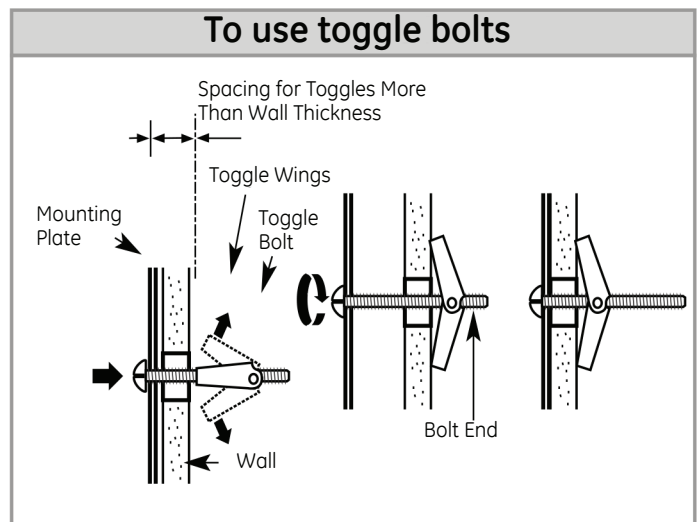
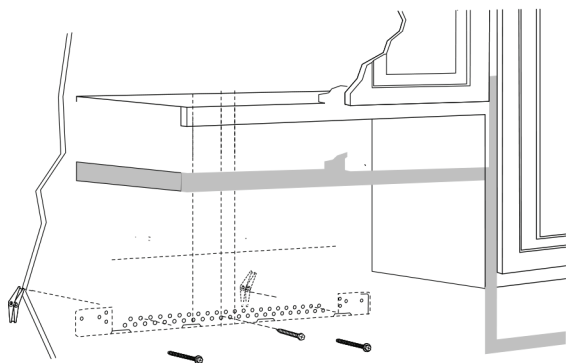
C3. ADAPTING BLOWER FOR RECIRCULATION

C4. MOUNT THE MICROWAVE OVEN

C5. CHANGE THE CHARCOAL FILTER



C1. ATTACH THE MOUNTING PLATE TO THE WALL



Attach the mounting plate to the wall using the wing nuts and machine screws ($\frac{3}{16}$ " x 3"). At least one wood screw must be used to attach the mounting plate to a wall stud.

1. Insert the machine screws ($\frac{3}{16}$ " x 3") into the mounting plate through the holes designed to go into drywall and attach the toggle wings to $\frac{3}{4}$ " onto each machine screw ($\frac{3}{16}$ " x 3").

2. Place the mounting plate against the wall and insert the toggle wings into the holes in the wall to mount the plate.

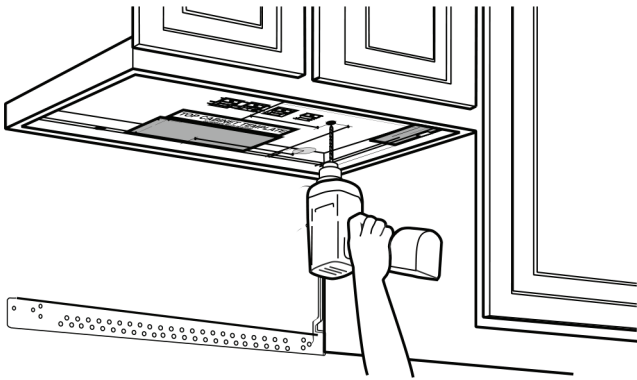
CAUTION: Be careful to avoid pinching fingers between the back of the mounting plate and the wall.

3. Tighten all bolts. Pull the mounting plate away from the wall to help tighten the bolts.

Installation Instructions

C2. USE TOP CABINET TEMPLATE FOR PREPARATION OF TOP CABINET

You need to drill holes for the top support screws and a hole large enough for the power cord to fit through.

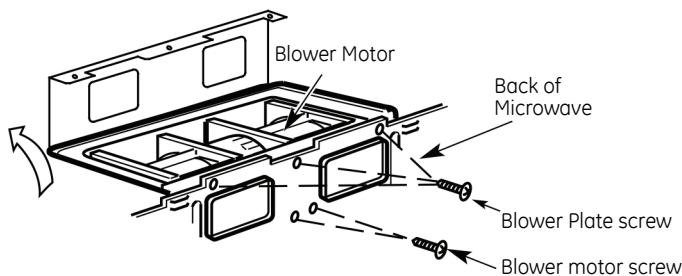


- Read the instructions on the TOP CABINET TEMPLATE.
- Tape it underneath the top cabinet bottom.
- Drill the holes, following the instructions on the TOP CABINET TEMPLATE.

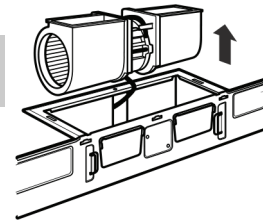
CAUTION : Wear safety goggles when drilling holes in the cabinet bottom.

C3. ADAPTING BLOWER FOR RECIRCULATION

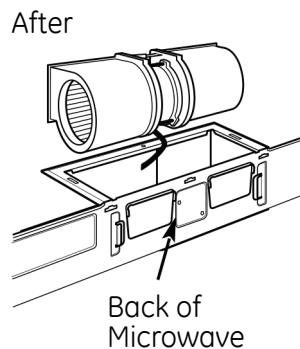
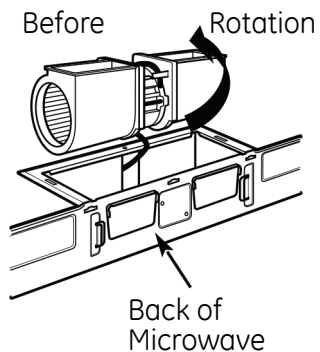
1. Remove and save screw that holds blower motor to microwave, Lift up the blower plate.
2. Carefully pull out the blower unit. The wires will extend far enough to allow you to adjust the blower unit.



BEFORE : Fan Blade Openings Facing UP

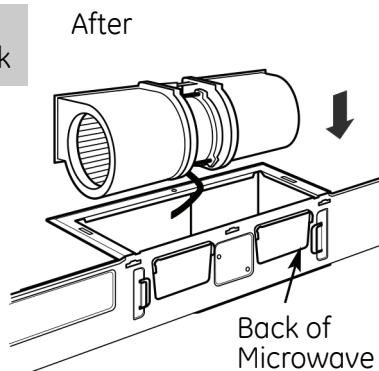


4. Rotate blower unit 90°.



5. Place the blower unit back into the opening.

After Fan Blade Openings Facing Back



CAUTION:

Do not pull or stretch the blower unit wiring. Make sure the wires are not pinched.

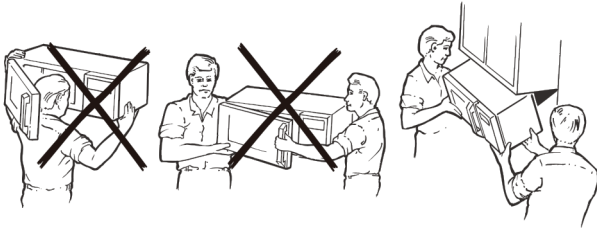
NOTE:

The blower unit exhaust openings should match exhaust openings on rear of microwave oven.

6. Replace the blower plate in the same position.

Installation Instructions

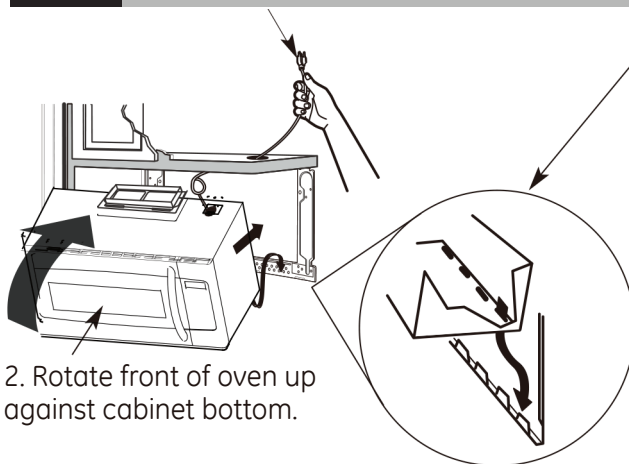
C4. MOUNT THE MICROWAVE OVEN



FOR EASIER INSTALLATION AND PERSONAL SAFETY, WE RECOMMEND THAT TWO PEOPLE INSTALL THIS MICROWAVE OVEN.

IMPORTANT: Do not grip or use handle during installation.
If filler blocks are not used, case damage may occur from over tightening screws.

NOTE: If your cabinet is metal, use the nylon grommet around the power cord hole to prevent cutting of the cord. We recommend using filler blocks if the cabinet front hangs below the cabinet bottom shelf. When mounting the microwave oven, thread power cord through hole in bottom of top cabinet. Keep it tight throughout Step 1-3. Do not pinch cord or lift oven by pulling cord.

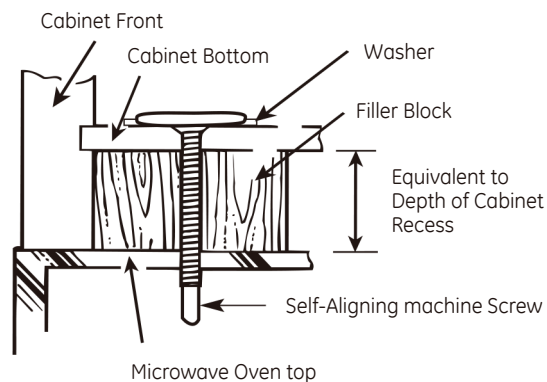
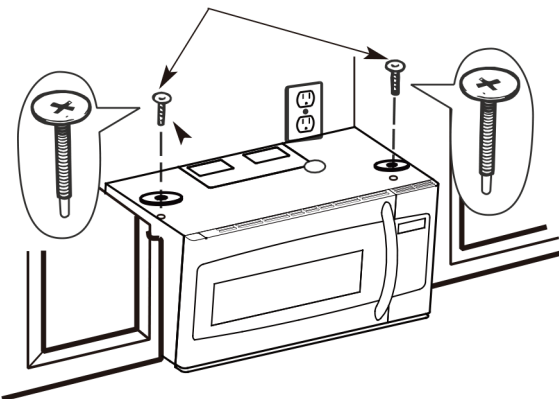


2. Rotate front of oven up against cabinet bottom.

1. Lift microwave, tilt it forward, and hook slots at back bottom edge onto four lower tabs of mounting plate.
2. Rotate front of oven up against cabinet bottom.
3. Attach the microwave oven to the top cabinet.
4. Insert 2 self-aligning machine screws (1/4" - 20X3") through outer top cabinet holes. Temporarily secure the oven by turning the screw at least two full turns after the threads have engaged. (It will be completely tightened later.) Be sure to keep power cord tight. Be careful not to pinch the cord, especially when mounting flush to the bottom of cabinet.

The Filler Block is only used for recessed cabinet, you should place the Filler Block to the cabinet bottom before installing the oven. The specific steps please read the top cabinet template.

Turn two full turns on each screw.



5. Tighten the outer two screws to the top of the microwave oven. (While tightening screws, hold the microwave oven in place against the wall and the top cabinet.)

6. Install grease filters. See the USER GUIDE packed with the microwave.

Installation Instructions

BEFORE YOU USE YOUR MICROWAVE

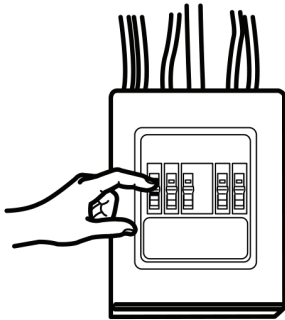
1. Make sure the microwave oven has been installed according to instructions.



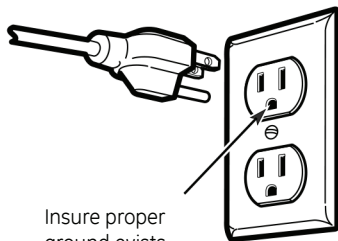
2. Remove all packing material from the microwave oven.

3. Install turntable and ring in cavity.

4. Replace house fuse or turn breaker back on.



5. Plug power cord into a dedicated 20 amp electrical outlet.



Insure proper ground exists before use

6. Read the USER GUIDE.



7. KEEP INSTALLATION INSTRUCTIONS FOR THE LOCAL INSPECTOR'S USE.

