



OVER THE RANGE MICROWAVE OVEN

SAFETY INFORMATION 3

USING THE OVEN

Features7

Controls.....8

Time and Auto Microwave Features 9-11

Microwave Terms..... 12

CARE AND CLEANING

Inside 13

Outside..... 13

TROUBLESHOOTING14

WARRANTY 15

CONSUMER SUPPORT 16

OWNER'S MANUAL

JEB2167 Series

Write the model and serial numbers here:

Model # _____

Serial # _____

Find these numbers on a label inside the oven.

THANK YOU FOR MAKING GE APPLIANCES A PART OF YOUR HOME.

Whether you grew up with GE Appliances, or this is your first, we're happy to have you in the family.

We take pride in the craftsmanship, innovation and design that goes into every GE Appliances product, and we think you will too. Among other things, registration of your appliance ensures that we can deliver important product information and warranty details when you need them.

Register your GE appliance now online. Helpful websites and phone numbers are available in the Consumer Support section of this Owner's Manual. You may also mail in the pre-printed registration card included in the packing material.



GE APPLIANCES

IMPORTANT SAFETY INFORMATION

READ ALL INSTRUCTIONS BEFORE USING THE APPLIANCE

⚠ WARNING

To reduce the risk of burns, electric shock, fire, injury to persons, or exposure to excessive microwave energy:

When using electrical appliances, basic safety precautions should be followed, including the following:

- Read all instructions before using this appliance.
- Read and follow the specific precautions in the PRECAUTIONS TO AVOID POSSIBLE EXPOSURE TO EXCESSIVE MICROWAVE ENERGY section on page 6.
- Use this appliance only for its intended use as described in this manual. Do not use corrosive chemicals or vapors in this appliance. This oven is specifically designed to heat, dry or cook food, and is not intended for laboratory or industrial use.
- This microwave must only be serviced by qualified service personnel. Contact nearest authorized service facility for examination, repair or adjustment.

INSTALLATION

- Install or locate this appliance only in accordance with the provided installation instructions.
- This appliance must be grounded. Connect only to properly grounded outlet. See "GROUNDING INSTRUCTIONS" found on page 5.
- This microwave oven is UL listed for installation over both gas and electric ranges.
- This unit is suitable for use above gas or electric cooking equipment, 36" or less wide.
- Do not operate this appliance if it has a damaged power cord or plug, if it is not working properly, or if it has been damaged or dropped.
- Keep cord away from heated surfaces.
- Do not let cord hang over the edge of the table or counter
- Do not immerse cord or plug in water.
- Do not cover or block any openings on the appliance.
- Do not store this appliance outdoors. Do not use this product near water—for example, in a wet basement, near a swimming pool, near a sink or in similar locations.
- Do not mount this appliance over a sink.

TO REDUCE THE RISK OF FIRE IN THE CAVITY:

- Do not overcook food. Carefully attend appliance when paper, plastic or other combustible materials are placed inside the oven to facilitate cooking.
- Remove wire twist-ties and metal handles from paper or plastic containers before placing them in the oven.
- Do not store any materials, other than our recommended accessories, in this oven when not in use. Do not leave paper products, cooking utensils or food in the cavity when not in use. Microwave rack should be removed from oven when not in use.
- If materials inside the oven ignite, keep the oven door closed, turn the oven off and disconnect the power cord or shut off power at the fuse or circuit breaker panel.
- Do not operate the microwave feature without food in the oven.

TO REDUCE THE RISK OF BURNS:

- Be careful when opening containers of hot food. Use pot holders and direct steam away from face and hands.
- Vent, pierce, or slit containers, pouches, or plastic bags to prevent build-up of pressure.
- Be careful when touching the turntable, door, racks, or walls of the oven which may become hot during use.
- Liquids and certain foods heated in the microwave oven can present a risk of burn when removing them from the microwave. The potential for a burn is greater in young children, who should not be allowed to remove hot items from the microwave.

READ AND SAVE THESE INSTRUCTIONS

IMPORTANT SAFETY INFORMATION

READ ALL INSTRUCTIONS BEFORE USING THE APPLIANCE

⚠ WARNING Continued

OPERATING AND CLEANING

- As with any appliance, close supervision is necessary when used by children.
- Do not store anything directly on top of the microwave oven surface when the microwave oven is in operation.
- Oversized foods or oversized metal utensils should not be inserted in a microwave/convection oven as they may create a fire or risk of electric shock.
- Do not clean with metal scouring pads. Pieces can burn off the pad and touch electrical parts involving a risk of electric shock.
- Do not use paper products in oven when appliance is operating in any cooking mode except microwave.
- Some products such as whole eggs and sealed containers—for example, closed jars—are able to explode and should not be heated in this microwave oven.
- Do not cover any part of the microwave with metal foil. This will cause overheating of the microwave oven.
- Cook meat and poultry thoroughly— meat to at least an INTERNAL temperature of 160°F, and poultry to at least an INTERNAL temperature of 180°F. Cooking to these temperatures usually protects against foodborne illness.
- Make sure all cookware used in your microwave oven is suitable for microwaving. Most glass casseroles, cooking dishes, measuring cups, custard cups, pottery or china dinnerware which does not have metallic trim or glaze with a metallic sheen can be used in compliance with cookware manufacturers' recommendations.
- It is important to keep the area clean where the door seals against the microwave. Use only mild, nonabrasive detergents applied with a clean sponge or soft cloth. Rinse well.

SUPER HEATED WATER

- Liquids, such as water, coffee, or tea, are able to be overheated beyond the boiling point without appearing to be boiling. Visible bubbling or boiling when the container is removed from the microwave oven is not always present. **THIS COULD RESULT IN VERY HOT LIQUIDS SUDDENLY BOILING OVER WHEN THE CONTAINER IS DISTURBED OR A SPOON OR OTHER UTENSIL IS INSERTED INTO THE LIQUID.**
- To reduce the risk of injury to persons:
 - Do not overheat the liquid.
 - Stir the liquid both before and halfway through heating it.
 - Do not use straight-sided containers with narrow necks.
 - After heating, allow the container to stand in the microwave oven for a short time before removing the container.
 - Use extreme care when inserting a spoon or other utensil into the container.

READ AND SAVE THESE INSTRUCTIONS

IMPORTANT SAFETY INFORMATION

READ ALL INSTRUCTIONS BEFORE USING THE APPLIANCE

GROUNDING INSTRUCTIONS

⚠ WARNING To prevent risk of electric shock, follow these instructions:

- Plug microwave into a grounded 3-prong outlet.
- Do not remove the ground prong or use an adapter.
- Do not use an extension cord.

Improper use of the grounding plug can result in a risk of electric shock.

This appliance must be grounded. In the event of an electrical short circuit, grounding reduces the risk of electric shock by providing an escape wire for the electric current.

This appliance is equipped with a power cord having a grounding wire with a grounding plug. The plug must be plugged into an outlet that is properly installed and grounded.

Consult a qualified electrician or service technician if the grounding instructions are not completely understood, or if doubt exists as to whether the appliance is properly grounded.

A short power-supply is provided to reduce the risks resulting from becoming entangled or tripping over a longer cord. Do not use an extension cord with this appliance. If the power cord is too short, have a qualified electrician or service technician install an outlet near the appliance.

VENT FAN

The fan will operate automatically under certain conditions. Take care to prevent the starting and spreading of accidental cooking fires while the vent fan is in use.

- Clean the underside of the microwave often. Do not allow grease to build up on the microwave or the fan filters.
- In the event of a grease fire on the surface units below the microwave oven, smother a flaming pan on the surface unit by covering the pan completely with a lid, a cookie sheet or a flat tray.

- Use care when cleaning the vent fan filters. Corrosive cleaning agents, such as lye-based oven cleaners, may damage the filters.
- When preparing flaming foods under the microwave, turn the fan on.
- Never leave surface units beneath your microwave oven unattended at high heat settings. Boilovers cause smoking and greasy spillovers that may ignite and spread if the microwave vent fan is operating. To minimize automatic fan operation, use adequate sized cookware and use high heat on surface units only when necessary.

PACEMAKERS

Most pacemakers are shielded from interference from electronic products, including microwaves. However, patients with pacemakers may wish to consult their physicians if they have concerns.

READ AND SAVE THESE INSTRUCTIONS

IMPORTANT SAFETY INFORMATION

READ ALL INSTRUCTIONS BEFORE USING THE APPLIANCE

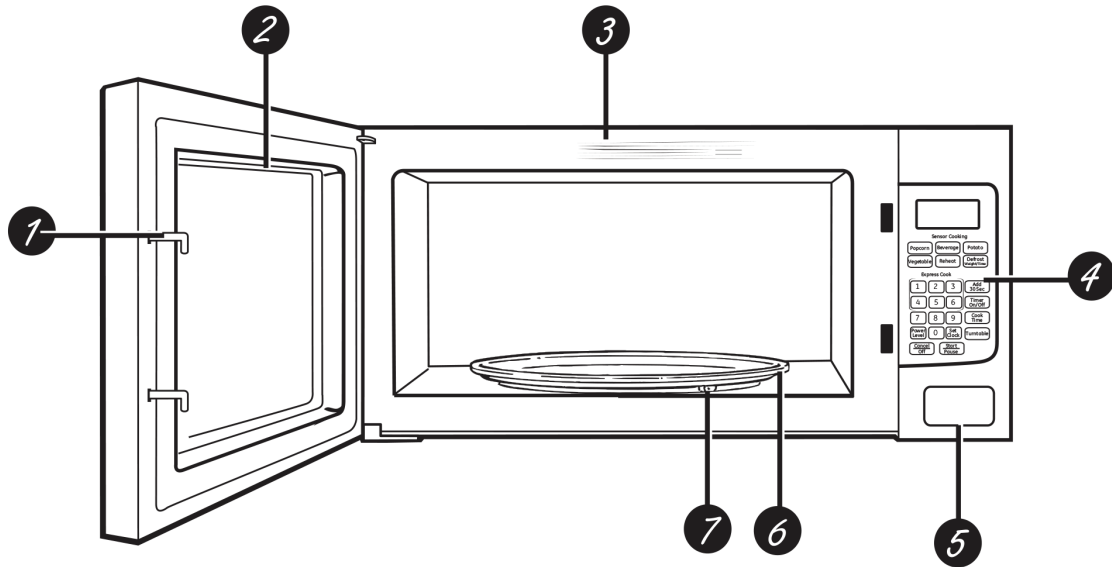
PRECAUTIONS TO AVOID POSSIBLE EXPOSURE TO EXCESSIVE MICROWAVE ENERGY

- (a) **Do Not Attempt** to operate this oven with the door open since open-door operation can result in harmful exposure to microwave energy. It is important not to defeat or tamper with the safety interlocks.
- (b) **Do Not Place** any object between the oven front face and the door or allow soil or cleaner residue to accumulate on sealing surfaces.
- (c) **Do Not Operate** the oven if it is damaged. It is particularly important that the oven door close properly and that there is no damage to the:
 - (1) door (bent),
 - (2) hinges and latches (broken or loosened),
 - (3) door seals and sealing surfaces.
- (d) **The Oven Should Not** be adjusted or repaired by anyone except properly qualified service personnel. Contact nearest authorized service facility for examination, repair or adjustment.

READ AND SAVE THESE INSTRUCTIONS

Features

Throughout this manual, features and appearance may vary from your model.



- 1 **Door Handle** Pull to open the door. The door must be securely latched for the microwave to operate.
- 2 **Door Window**
- 3 **Window with Metal Shield**. Screen allows cooking to be viewed while keeping microwaves confined in the oven.
- 4 **Control Panel**.

- 5 **Door Latch Release**.
- 6 **Removable Turntable**. Turntable and support **must** be in place when using the oven. The turntable may be removed for cleaning.
- 7 **Removable Turntable Support**.



Controls

Control Panel



- **MENU ACTION SCREEN**

Cooking time, power, indicators and clock time are displayed.

- **SENSOR COOK MENUS**

Instant settings to cook popular foods

- **NUMBER PADS (0-9)**

Touch to set clock, cooking time or enter food weight.

- **INVERTER**

Use to set microwave power levels.

- **CLOCK**

You can also touch it to set the clock.

- **TIMER**

Use to set kitchen timer.

- **STOP/CLEAR**

Touch to stop the oven or reset the oven before setting a program.

- **DEFROST**

Easy settings to defrost according to weight entered.

- **START/ MINUTE PLUS**

Touch to start the oven; also use to add cooking time during cooking process.

- **MORE/LESS (1/3)**

Use to add or reduce time from cooking.

Time and Auto Microwave Features

Operation Instructions

- When the oven first plugged in, beep will sound and the display will show "1:01" and CLOCK.
- During cook setting mode, the system will return to standby mode if there is not any operation within 25 seconds.
- During cooking, if press STOP/CLEAR pad once, the program will be paused, then press START/MINUTE PLUS pad to resume, but if press STOP/CLEAR pad twice, the program will be canceled.
- After ending cooking, the system will sound beeps to remind user every two minutes until user press STOP/CLEAR pad or open the door.
- The controlling system of the microwave oven has the feature of cooling. As for any cooking mode which cooking time above 2 minutes, after finishing cooking or cooking program is paused, the oven fan will work about 30 seconds automatically to cool the oven for prolonging the life of the oven.

SETTING THE CLOCK

This is a 12 or 24 hour clock, you can choose it by touching CLOCK pad once or twice.

1. In standby mode, touch CLOCK pad once or twice to choose 12 or 24 hour clock.
2. Use the number pads to enter clock time.
3. Touch CLOCK pad again.

NOTE: During cooking, you can check the clock time by touching the CLOCK pad.

SETTING THE TIMER

1. Touch TIMER pad once.
2. Enter the time by touching the number pads. The maximum time you can enter is 99 minutes and 99 seconds.
3. Touch START/MINUTE PLUS pad.

NOTE: The timer countdown can be seen for 5 seconds by touching TIMER pad and then press STOP/CLEAR pad can cancel the program when the display show the time.

MICROWAVE COOKING

For pure microwave cooking, there are 11 power levels from which to choose one as the best. The longest cooking time is 99 minutes and 99 seconds.

You can select the power level by pressing INVERTER:

| Press INVERTER button | Cooking Power | Press INVERTER button | Cooking Power |
|-----------------------|---------------|-----------------------|---------------|
| Once | 100% (P100) | 7 times | 40% (P-40) |
| Twice | 90% (P-90) | 8 times | 30% (P-30) |
| 3 times | 80% (P-80) | 9 times | 20% (P-20) |
| 4 times | 70% (P-70) | 10 times | 10% (P-10) |
| 5 times | 60% (P-60) | 11 times | 0% (P-00) |
| 6 times | 50% (P-50) | | |

Suppose you want to cook for 5 minutes at 60%:

1. In standby mode, touch INVERTER to select power level.
2. Use the number pads to enter cooking time.
3. Press START/MINUTE PLUS to start.

Time and Auto Microwave Features

NOTE: You can check power level during cooking by pressing INVERTER.

In the microwave mode, if undetectable feedback signals for five seconds, the system will stop working, and buzzer constantly issued “DE” hint sound and display “E-1”. After troubleshooting, press the STOP/CLEAR button, the system back to normal standby mode

QUICK START

You can set 100% power level cooking quickly by pressing START/MINUTE PLUS button to set 1 minute each time. The longest time you can set is 99 minutes and 99 seconds.

In standby mode, press START/MINUTE PLUS button to enter cooking time, the oven will auto start cooking at full power level.

NOTE: By pressing START/MINUTE PLUS button in quick succession, you can add cooking time during microwave cooking and quick start cooking (each press for 1 minute, and up to 99 minutes and 99 seconds).

MULTI-STAGE COOKING

Your oven can be programmed for up to 2 automatic cooking sequences.

Suppose you want to set the following cooking program.

Microwave cooking



Microwave cooking (with lower power level)

1. Input microwave-cooking program without press START/MINUTE PLUS.
2. Input another microwave-cooking program with probably lower power level settings.
3. Touch START/MINUTE PLUS button.

WEIGHT DEFROST

The oven could be used to defrost food on the weight you entered. The defrosting time and power level are automatically set once the weight is programmed.

FOR EXAMPLE: Suppose you want to defrost 600g shrimp.

1. Place the shrimp to be defrosted into the oven.
2. In standby mode, presses DEFROST button once and then press DEFROST button repeatedly to choose defrost type.
3. Use the number buttons to select food weight.
4. Press START/MINUTE PLUS button.

| DEFROST CODE | DEFROST TYPE | WEIGHT RANGE |
|--------------|--------------|--------------|
| 1 | Meat | 1OZ~6LB |
| 2 | Poultry | 1OZ~4LB |
| 3 | Seafood | 1OZ~2LB |

NOTE: During defrosting program, the system will pause and sound beeps to remind user to turn food over, and then press START/MINUTE PLUS to resume the defrosting.

CHILD LOCK

Use to prevent unsupervised operation of the oven by little children. The Child Lock indicator will show on display screen, and the oven cannot be operated while the Child Lock is set.

To set: In standby mode, press and hold the STOP/CLEAR button for 3 seconds, a beep sounds and lock indicator lights.

To cancel: Press and hold the STOP/CLEAR button for 3 seconds until lock indicator light on display turns off.

Time and Auto Microwave Features

SENSOR COOK MENUS

The sensor features detect the increasing humidity released during cooking. The oven automatically adjusts the cooking time to various types and amounts of food.

Suppose you want to cook potatoes:

1. In order to ensure the induction effect, the oven should blow for 45s before microwave cooking.
2. After cooking for a period of time, the system will detect whether there is error, if there is error, for example, the sensor short circuit or open circuit, the system will stop automatically with the display showing E-5, beeps sound every 2s until touch STOP/CLEAR pad.
3. If there is no error, the system will judge corresponding cooking time based on the steam generated by the food, after cooking for a period of time, the countdown will display on the screen. During countdown process, you can press 3/LESS or 1/MORE to adjust cooking time. After ending cooking, the buzzer sound bees for a while with display End.
4. During sensor cooking program, if press STOP/CLEAR pad once or open the door, the system will turn back to standby mode.
5. During the longest sensor time, if the oven cannot test the cooking time according to the steam which produced by food in the oven, the cooking program will automatically end.

For sensor cooking, place food into the oven and then press corresponding menu pad to enter food weight and the oven will auto start cooking.

SENSOR COOKING MENUS

| Food Pad | Weight Ranges | Note |
|---------------|------------------------|--|
| Popcorn | 3.5oz | <ul style="list-style-type: none"> • During cooking process, you may touch the MORE or LESS pad to extend or shorten the cooking time (each touch for 5 seconds). The longest time you can set is 30:00. • Do not use the sensor features twice in succession on the same food portion— it may result in severely overcooked or burnt food. If food is undercooked after the countdown, use time cooking for additional cooking time. • For Beverage, press BEVERAGE repeatedly to select number of servings. |
| Potato | 6~24 oz | |
| Pizza | 5~12 oz | |
| Meat | 8~28 oz | |
| Fresh veg. | 8~28 oz | |
| Beverage | 1~3 cup(200ml/ cup) | |
| Frozen Dinner | 8~28 oz | |
| Reheat | 8~28 oz | |
| Frozen veg. | 8~28 oz | |

Microwave Terms

| Term | Definition |
|---------------|--|
| Arcing | <p>Arcing is the microwave term for sparks in the oven. Arcing is caused by:</p> <ul style="list-style-type: none"> ■ metal or foil touching the side of the oven. ■ foil that is not molded to food (upturned edges act like antennas). ■ metal such as twist-ties, poultry pins, gold-rimmed dishes. ■ recycled paper towels containing small metal pieces. ■ plates or dishes with a metallic trim or glaze with a metallic sheen. |
| Covering | <p>Covers hold in moisture, allow for more even heating and reduce cooking time. Venting plastic wrap or covering with wax paper allows excess steam to escape.</p> |
| Shielding | <p>In a regular oven, you shield chicken breasts or baked foods to prevent over-browning. When microwaving, you use small strips of foil to shield thin parts, such as the tips of wings and legs on poultry, which would cook before larger parts.</p> |
| Standing Time | <p>When you cook with regular ovens, foods such as roasts or cakes are allowed to stand to finish cooking or to set. Standing time is especially important in microwave cooking. Note that a microwaved cake is not placed on a cooling rack.</p> |
| Venting | <p>After covering a dish with plastic wrap, you vent the plastic wrap by turning back one corner so excess steam can escape.</p> |

Care and Cleaning

Helpful Hints

An occasional thorough wiping with a solution of baking soda and water keeps the inside fresh.

Be certain the oven control is turned off before cleaning any part of this oven.

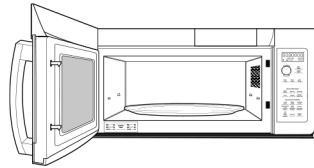


How to Clean the Inside

Walls, Floor, Inside Window, Metal and Plastic Parts on the Door

Some spatters can be removed with a paper towel; others may require a damp cloth. Remove greasy spatters with a sudsy cloth, then rinse with a damp cloth. Do not use abrasive cleaners or sharp utensils on oven walls.

Never use a commercial oven cleaner on any part of your microwave.



Removable Turntable and Turntable Support

To prevent breakage, do not place the turntable into water just after cooking. Wash it carefully in warm, sudsy water or in the dishwasher. The turntable and support can be broken if dropped. Remember, do not operate the oven in the microwave mode without the turntable and support seated and in place.



How to Clean the Outside

We recommend against using cleaners with ammonia or alcohol, as they can damage the appearance of the microwave oven. If you choose to use a common household cleaner, first apply the cleaner directly to a clean cloth, then wipe the soiled area.

Case

Clean the outside of the microwave with a sudsy cloth. Rinse and then dry. Wipe the window clean with a damp cloth.

Control Panel

Wipe with a damp cloth. Dry thoroughly. Do not use cleaning sprays, large amounts of soap and water, abrasives or sharp objects on the panel—they can damage it. Some paper towels can also scratch the control panel.

Door Panel

Before cleaning the front door panel, make sure you know what type of panel you have.

Stainless Steel (on some models)

The stainless steel panel can be cleaned with Stainless Steel Magic or a similar product using a clean, soft cloth. Apply stainless cleaner carefully to avoid the surrounding plastic parts. Do not use appliance wax, polish, bleach or products containing chlorine on Stainless Steel finishes.

Plastic Color Panels

Use a clean, soft, lightly dampened cloth, then dry thoroughly.

Door Seal

It's important to keep the area clean where the door seals against the microwave. Use only mild, non-abrasive detergents applied with a clean sponge or soft cloth. Rinse well.

Troubleshooting Tips... Before you call for service

Save time and money! Review the charts on the following pages first and you may not need to call for service.

| Problem | Possible Cause | What To Do |
|--|--|--|
| Oven will not start | A fuse in your home may be blown or the circuit breaker tripped. | Replace fuse or reset circuit breaker. |
| | Power surge. | Unplug the microwave oven, then plug it back in. |
| | Plug not fully inserted into wall outlet. | Make sure the 3-prong plug on the oven is fully inserted into wall outlet. |
| | Door not securely closed. | Open the door and close securely. |
| Floor of the oven is warm even when the oven has not been used | Heat from the cooktop light may make the floor get warm. | This is normal. |
| You hear an unusual lowtone beep | You have tried to change the power level when it is not allowed. | Many of the oven's features are preset and cannot be changed. |
| Food amount too large for Sensor Reheat | Sensor Reheat is for single servings of recommended foods | Use TIME COOK for large amounts of food |

Things That Are Normal With Your Microwave Oven

- Steam or vapor escaping from around the door.
- Light reflection around door or outer case.
- Dimming oven light and change in the blower sound at power levels other than high.
- Dull thumping sound while oven is operating.

FEDERAL COMMUNICATIONS COMMISSION (U.S.A.) RADIO FREQUENCY INTERFERENCE STATEMENT

This equipment generates and uses ISM frequency energy and if not installed and used properly, that is in strict accordance with the manufacturer's instructions, may cause interference to radio and television reception. It has been type tested and found to comply with limits for an ISM Equipment pursuant to part 18 of FCC Rules, which are designed to provide reasonable protection against such interference in a residential installation. However, there is no guarantee that interference will not occur in a particular installation. If this equipment does cause interference to radio or television reception, which can be determined by tuning the equipment off and on, the user is encouraged to try to correct the interference by one or more of the following:

- Reorient the receiving antenna of radio or television.
- Relocate the Microwave oven with respect to the receiver.
- Move the microwave oven away from the receiver.
- Plug the microwave oven into a different outlet so that microwave oven and receiver are on different branch circuits.

The manufacturer is not responsible for any radio or TV interference cause by unauthorized modification to this microwave oven. It is the responsibility of the user to correct such interference.

GE Appliances Microwave Oven Warranty

GEAppliances.ca

All warranty service is provided by our Factory Service Centers, or an authorized Customer Care® technician. To schedule service online, visit us at www.geappliances.ca/en/support/service-request/, or call GE Appliances at 800.561.3344. Please have your serial number and your model number available when calling for service.

| For the period of | GE Appliances will replace |
|---|---|
| One year From the date of the original purchase | Any part of the oven which fails due to a defect in materials or workmanship. During this limited one-year warranty , GE Appliances will also provide, free of charge , all labor and related service costs to replace the defective part when the unit is serviced. |

What GE Appliances will not cover:

- Service trips to your home to teach you how to use the product.
- Improper installation, delivery or maintenance. If you have an installation problem, contact your dealer or installer. You are responsible for providing adequate electrical, exhausting, and other connecting facilities.
- Failure of the product or damage to the product if it is abused, misused (for example, cavity arcing from wire rack or metal/foil), or used for other than the intended purpose or used commercially.
- Replacement of house fuses or resetting of circuit breakers.
- Damage to the product caused by accident, fire, floods or acts of God.
- Incidental or consequential damage caused by possible defects with this appliance.
- Damage caused after delivery.
- Product not accessible to provide required service.
- Service to repair or replace light bulbs, except for LED lamps.
- Damage to the finish, such as surface rust, tarnish, or small blemishes not reported within 48 hrs of delivery.

EXCLUSION OF IMPLIED WARRANTIES

Your sole and exclusive remedy is product repair as provided in this Limited Warranty. Any implied warranties, including the implied warranties of merchantability or fitness for a particular purpose, are limited to one year or the shortest period allowed by law.

This warranty is extended to the original purchaser and any succeeding owner for products purchased for home use within Canada. If the product is located in an area where service by a GE Appliances Authorized Servicer is not available, you may be responsible for a trip charge or you may be required to bring the product to an Authorized GE Appliances Service location for service.

Some Provinces or Territories do not allow the exclusion or limitation of incidental or consequential damages. This warranty gives you specific legal rights, and you may also have other rights which vary from state to state. To know what your legal rights are, consult your local Member of Parliament consumer affairs office.

Warrantor: MC Commercial Inc.

Staple your receipt here. Proof of the original purchase date is needed to obtain service under the warranty.

Consumer Support

GE Appliances Website

Have a question or need assistance with your appliance? Try the GE Appliances Website 24 hours a day, any day of the year! You can also shop for more great GE Appliances products and take advantage of all our on-line support services designed for your convenience. In Canada: **GEAppliances.ca**

Register Your Appliance

Register your new appliance on-line at your convenience! Timely product registration will allow for enhanced communication and prompt service under the terms of your warranty, should the need arise. You may also mail in the pre-printed registration card included in the packing material. In the US:

GEAppliances.ca/en/support/register-your-appliance

Schedule Service

Expert GE Appliances repair service is only one step away from your door. Get on-line and schedule your service at your convenience any day of the year. In Canada: **GEAppliances.ca/en/support/service-request** or call 800.561.3344 during normal business hours.

Parts and Accessories

Individuals qualified to service their own appliances can have parts or accessories sent directly to their homes (VISA, MasterCard and Discover cards are accepted). Contact your local authorized GE Appliances parts distributor for more information or call us by phone at 800.561.3344 during normal business hours.

Instructions contained in this manual cover procedures to be performed by any user. Other servicing generally should be referred to qualified service personnel. Caution must be exercised, since improper servicing may cause unsafe operation.

Contact Us

If you are not satisfied with the service you receive from GE Appliances, contact us on our Website with all the details including your phone number, or write to:

In Canada: Director, Consumer Relations, MC Commercial Inc | Suite 310,1 Factory Lane | Moncton, N.B. E1C 9M3
GEAppliances.ca/en/contact-us