



Color Variants

VL414712
stainless steel
Width 15.5 cm

Optional accessories

AA400510
Window contact switch
AA414010
Ventilation moulding for VL 414 next to gas appliance.

Installation Accessories

AD410040
Flexibel connecting piece for VL 200 / VL 414
DN 150 flat
AD851041
Connecting piece VL 200 / VL 414 for extension with flat duct DN 150 for extra deep worktop
VA420004
Connection strip for combination with other Vario appliances of the 400 series for flush mounting

VL414712

Vario downdraft ventilation 400 series
stainless steel

Width 15.5 cm

Air extraction / Air recirculation

Motorless

A⁺

Can be combined perfectly flush with other Vario appliances of the 400 series Precision crafted 3 mm stainless steel Solid stainless steel control knob Highly efficient, low noise ventilation system especially with remote fan unit AR 410 110 Function for automatic, sensor-controlled power adjustment depending on the build-up of cooking vapours Minimal planning and easy installation

Output

Power levels depend on the remote fan unit.

Features

Control knob with illuminated ring included in delivery.
3 electronically controlled power levels and 1 intensive mode.
Automatic sensor-controlled performance adjustment of the ventilation system.
Automatic sensor-controlled or manual run-on function.
Large-scale metal grease filter with high grease absorption.
Removable, dishwasher-safe grease filter unit.
Grease filter and activated charcoal filter saturation indicator.
Airflow-optimised interior for efficient air circulation.
Interval ventilation, 6 min.
Enamelled ventilation grille, dishwasher-safe.
Air exhaust bend included in delivery.
Overflow 250 ml capacity.
Cooktop-based ventilation control (with suitable cooktop).
Home network integration for digital services (Home Connect) either via cable connection LAN (recommended) or wireless via WiFi.
The use of the Home Connect functionality depends on the Home Connect services, which are not available in every country. For further information please check: home-connect.com.

Consumption data

Consumption data is referred to a configuration with the remote fan unit AR 403 122.
Energy efficiency class A+ at a range of energy efficiency classes from A+++ to D.
Energy consumption 40.4 kWh/year.
Ventilation efficiency class A.
Illumination efficiency class -.
Grease filter efficiency class B.
Sound level min. 57 dB / max. 71 dB normal mode.

Planning notes

For each VL one remote fan unit is recommended.
Maximum cooktop(s) width between two VL : 80 cm except with the CX 482.
For optimum performance in air recirculation we recommend an outflow surface area of at least 400 cm².
If operated next to gas appliances, the ventilation moulding AA 414 010 is recommended to ensure maximum performance of the cooktop.
Appliance can be snapped into the worktop from above.

Characteristics

Product name/family

Color chimney

Typology

Downdraft

Approval certificates

Australia Standards, CE, Eurasian, G-Mark, Ukraine, VDE

Length electrical supply cord

175

Required niche size for installation

(HxWxD)

Height of the chimney

Height of product, without chimney

Net weight

7.8

Type of control

Electronic

Number of speed settings

Maximum output air extraction

550

Boost position output recirculating

Maximum output recirculating air

Boost position air extraction

Number of lights

Noise level

71

Diameter of air outlet

150

Grease filter material

Washable stainless steel

Odour filter

No

Operating Mode

Convertible

Delay Shut off modes

Required accessories

Optional accessories

AA400510, AA414010

Type of lamps used

Total power of the lamps

Grease filter type

Kassette

Clean filter reminders

Connection rating

10

Fuse protection

Voltage

Frequency

50; 60

Plug type

Installation typology

Built-in

Universal Product Code

825225962465

Material body

Stainless steel

Approval certificates

Australia Standards, CE, Eurasian, G-Mark, Ukraine, VDE

Length of electrical supply cord (in)

68 7/8"

Plug type

Dimensions of the product, with chimney (if exists) (in)

/ x 6 1/8" x 20 15/32"

Dimensions of the packed product

11.81 x 15.74 x 23.62

Height of the chimney (in)

Vertical rise height

Required distance above cooktop/ranges

Net weight

17.000

Gross weight

20.000

Motor location

without motor

Maximum output recirculating air

Diameter of air duct (in) top

Diameter of air duct (in) back

Discharge direction

downward

No-return airflow flap

No

Length electrical supply cord

175

Dimensions of the product, with chimney (if exists)

x 155.0 x 520.0

Dimensions of the packed product

Depending on the type of installation (surface-mounted or flush-mounted), the specific location of the cut-out and the knob positions may vary.

If combining several Vario appliances of the 400 series, a connection strip VA 420 must be placed between the appliances. Depending on the type of installation, the corresponding connection strip must be provided.

The bearing capacity and stability, in the case of thinner worktops in particular, must be supported using suitable substructures. Take into account the appliance weight and additional loads.

Additional instructions for flush mounting:

Installation is possible in worktops made of stone, synthetics or solid wood. Heat resistance and watertight sealing of the cut edges must be observed. Concerning other materials please consult the worktop manufacturer.

The groove must be continuous and even, so that uniform placing of the appliance on the gasket is ensured. Do not use discontinuous lining.

The joint width may vary due to size tolerances of the combinations and of the worktop cut-out.

When installing a ventilation hood with air extraction mode and a chimney-vented fireplace, the power supply line of the ventilation appliance needs a suitable safety switch.

Please read additional planning notes on page xx.

Connection

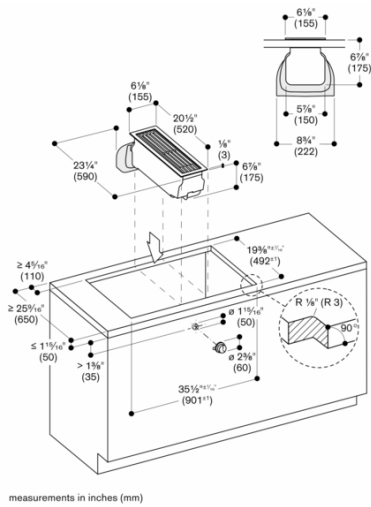
Total connected load 10 W.

Connecting cable 1.8 m with plug.

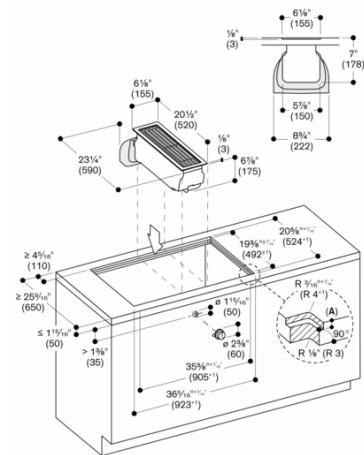
Plan a LAN cable.

Please check the user manual for how to switch off the WiFi module.

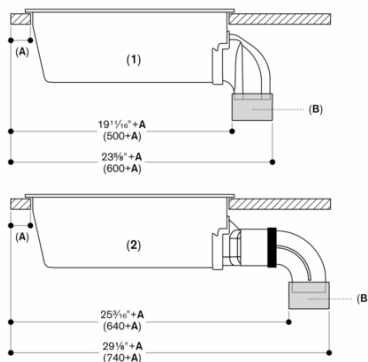
GAGGENAU



measurements in inches (mm)

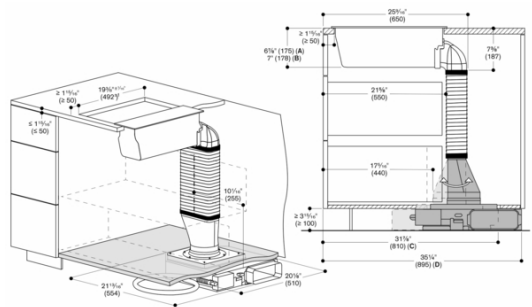


A: 1/8" (3.5^{±0.5})
measurements in inches (mm)

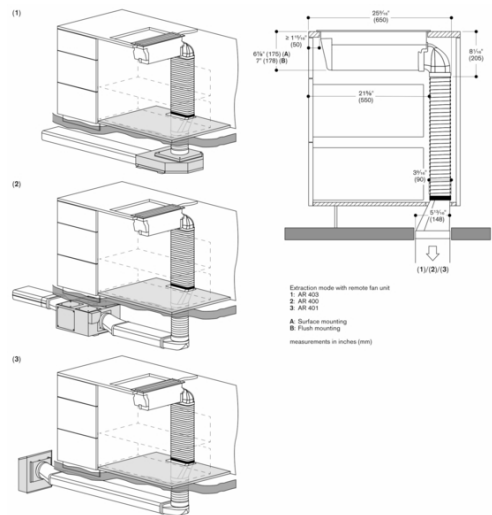


- 1: Direct installation
- 2: Installation with extension for extra deep worktop and metal ducting:
 - AD 851 041 (connecting piece for extension)
 - AD 854 000 (flat duct connecting piece, metal)
 - AD 854 030 (flat duct bend, 90°, vertical, metal)

A: $\geq 1 1/8$ " (50)
B: Connecting piece
measurements in inches (mm)

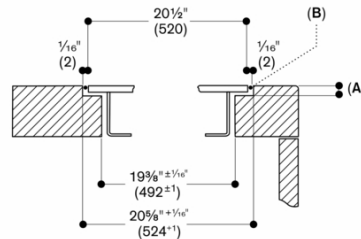


A: Surface mounting
B: Flush mounting (only VL414)
C: Exhaust to the left. Flat/round connecting piece towards the front
D: Exhaust to the right. Flat/round connecting piece towards the back
measurements in inches (mm)



Extraction made with remote fan unit
1: AD 802
2: AD 802
3: AD 811
A: Surface mounting
B: Flush mounting
measurements in inches (mm)

Cross-section



A: 1/8" (3.5^{±0.5})
B: Fill with silicone
measurements in inches (mm)

VL414712

Vario downdraft ventilation 400 series
stainless steel

Width 15.5 cm

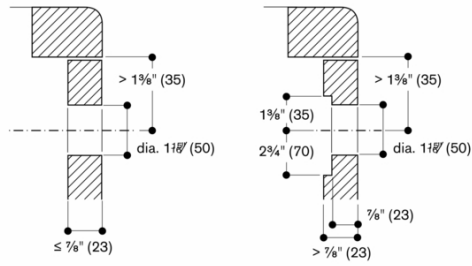
Air extraction / Air recirculation

Motorless

2022-04-15

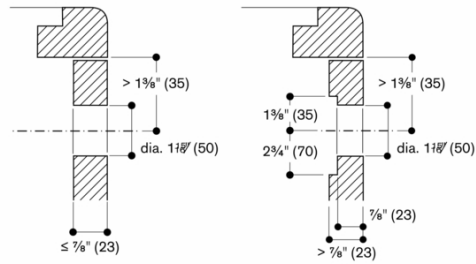
Page 3

Installation of the control knob; surface mounting

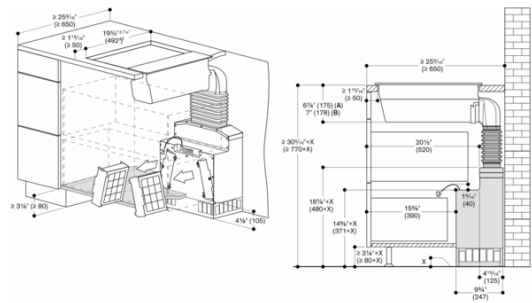


measurements in inches (mm)

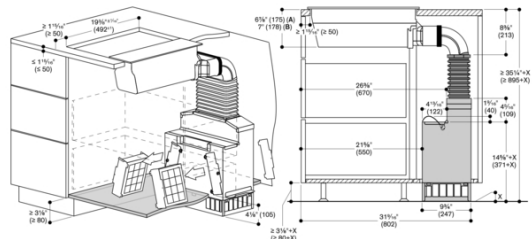
Installation of the control knob; flush installation



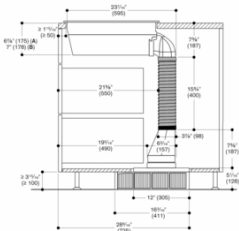
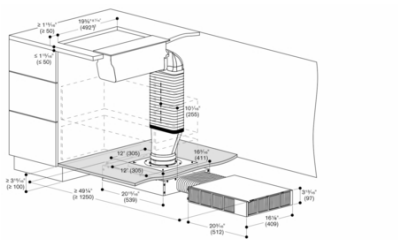
measurements in inches (mm)



A. Surface mounting
B. Flush mounting (only VL414)
measurements in inches (mm)



A. Surface mounting
B. Flush mounting (only VL414)
measurements in inches (mm)



A. Surface mounting
B. Flush mounting (only VL414)
measurements in inches (mm)