



AR 401 742

Stainless steel
680 CFM
Air extraction
Outside wall installation

Installation accessories

AD 702 052
ø 8" Telescopic wall-duct

400 series remote blower AR 401

- Powerful blower for combination with 400 series ventilation systems such as AL 400 retractable downdraft, VL 414 downdraft and AW/AI 442 professional wall/island hood
- Quiet blower with high-efficiency BLDC technology.

Output

3 performance output levels and Intensive mode.
Sound power and sound pressure depending on built-in situation.
Air extraction: 680 CFM.
Power levels depend on the ventilation system.

Features

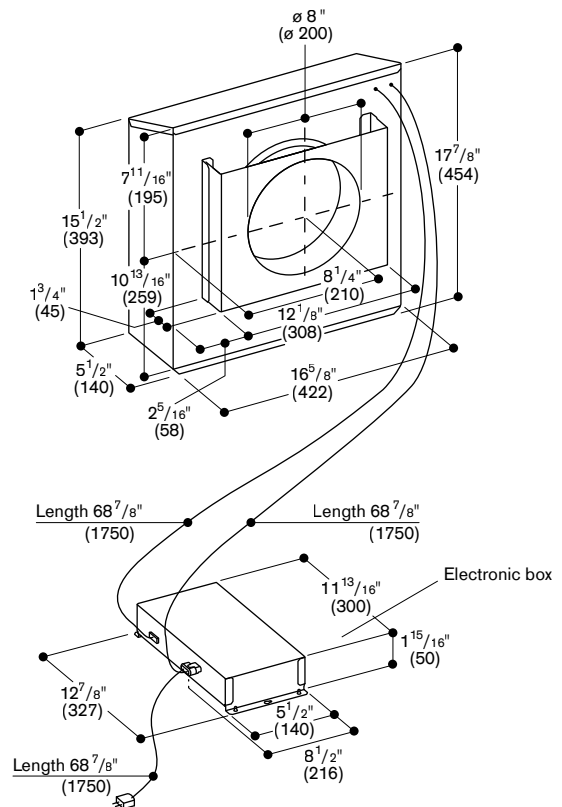
3 electronically controlled power levels and one intensive mode. Blower technology with highly efficient, brushless DC motor (BLDC). Including sound insulation to minimize the noise level. Stainless steel housing. Duct connection pieces on air intake side: 1x ø 8" round. Retaining bracket for installation on an outside wall is included.

Planning notes

This blower can only be combined with 400 series ventilation systems such as AL 400 retractable downdraft, VL 414 downdraft and AW/AI 442 professional wall/island hood.
Connection to the respective appliances via network cable. Installation on the outside wall allows for a reduced noise level in the kitchen.
Although the blower is installed on an outside wall, the electronic control box must be installed indoors.
Acceptable temperature range for installation of the electronic control box: -13 to 140 °F.
Distance from floor to the center of the duct: min. 23 5/8"

Rating

Total rating: 170 W.
Total Amps: 2 A.
120 V / 60 Hz
Connecting cable 69" with plug.
16' network cable included.



Telescopic wall-duct AD 702 052

