



AL400792
Table ventilation 400 series
stainless steel
Width 90 cm
Air extraction / Air recirculation
Motorless

Extendable table ventilation, when not in use can be completely lowered into the worktop
 Can be combined perfectly with all Vario cooktops 400 series
 Dimmable, neutral white surface LED light for ideal illumination of the cooktop
 Precision crafted 3 mm stainless steel
 For surface mounting with a visible edge or for flush mounting
 Motorless, can be combined with Gaggenau BLDC remote fan units

Output
 Power levels depend on the remote fan unit.

Features
 3 electronically controlled power levels and 1 intensive mode.
 Interval ventilation, 6 min.
 Run-on function, 6 min.
 Grease filter saturation indicator.
 2 large-scale metal grease filters included, easy to remove and dishwasher-safe.
 Grease drip trays, easy to remove and dishwasher-safe.
 Neutral white surface LED light (3600 K), continuously dimmable.
 Lamp output 4 x 5 W.
 Illuminance 200 lx.
 Flexible connection options to the remote fan unit: at the bottom, at the front or at the back.
 In all the options, it is possible to have space for drawers in front of the table ventilation.

Consumption data

Planning notes
 Combinable with all cooktops Vario 400 series, 400 series and 200 series.
 Maximum cooktops width: 90 cm.
 Depending on the type of installation, the corresponding accessories must be ordered separately.
 Air recirculation is not recommended in combination with Vario electric grill.
 For optimum performance in air recirculation we recommend an outflow surface area of at least 400 cm².
 Operation of Vario cooking appliances only possible without appliance cover.
 Max. output of cooktops 18 kW.
 The table ventilation must have its own worktop cut-out.
 The bearing capacity and stability, in the case of thinner worktops in particular, must be supported using suitable substructures. Take into account the appliance weight and additional loads.
 The remaining surface of the worktop (min. 50 mm) between the cut-outs must be reinforced with a support. It is recommended to use furniture support AA 409 401/431.
 Additional instructions for flush mounting:
 Installation is possible in worktops made of stone, synthetics or solid wood. Heat resistance and watertight sealing of the cut edges must be observed. Concerning other materials please consult the worktop manufacturer.
 Depending on the type of installation, ovens can be combined with the table ventilation.

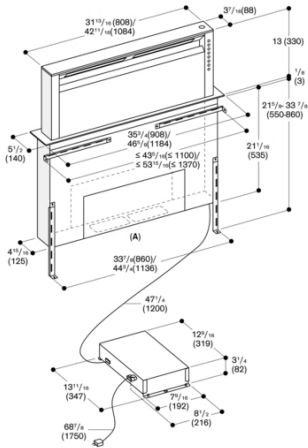
Characteristics
Product name/family
Color chimney
Typology Downdraft
Approval certificates CSA, ETL, UL
Length electrical supply cord 175
Required niche size for installation (HxWxD) 540mm x 840.0mm x 122mm
Height of the chimney
Height of product, without chimney 540
Net weight 33.1
Type of control Electronic
Number of speed settings
Maximum output air extraction
Boost position output recirculating
Maximum output recirculating air
Boost position air extraction
Number of lights 4
Noise level
Diameter of air outlet
Grease filter material Washable stainless steel
Odour filter No
Operating Mode Convertible
Delay Shut off modes 6
Required accessories
Optional accessories AA400510
Type of lamps used LED
Total power of the lamps 20
Grease filter type Kassette
Clean filter reminders
Connection rating 65
Fuse protection 10
Voltage 100-120
Frequency 60
Plug type 120V-3 prong
Installation typology Built-in
Universal Product Code 825225965244
Material body Stainless steel
Approval certificates CSA, ETL, UL
Length of electrical supply cord (in) 68 7/8
Plug type 120V-3 prong
Dimensions of the product, with chimney (if exists) (in) 21 1/4 " - 34 1/4 " / 21 1/4 " - 34 1/4 " x 35 3/4 " x 5 1/2 "
Dimensions of the packed product 14.96 x 24.99 x 40.55
Height of the chimney (in)
Vertical rise height 0 "-13 "
Required distance above cooktop/ranges
Net weight 73.000
Gross weight 84.000
Motor location External motor
Maximum output recirculating air
Diameter of air duct (in) top
Diameter of air duct (in) back 6
Discharge direction horizontal

When installing a ventilation hood with air extraction mode and a chimney-vented fireplace, the power supply line of the ventilation appliance needs a suitable safety switch.
 The control unit should be accessible and be secured to a panel of the cabinet that avoids any risk of flooding.

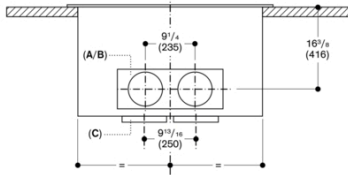
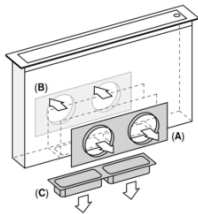
Connection
 Total connected load 65 W.
 100 - 120 V / 60 Hz.
 Total amps: 10 A.
 Connecting cable 1.8 m with plug.
 Network cable 1.2 m.

Color Variants
AL400792
stainless steel
Width 90 cm

Optional accessories
AA400510
Window contact switch

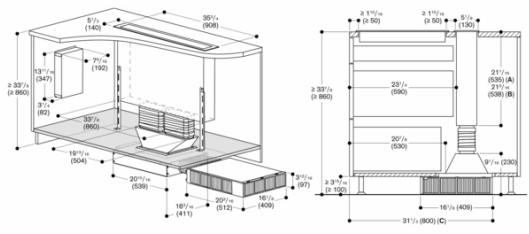
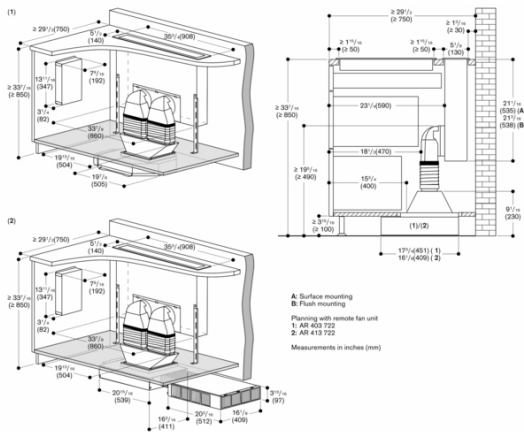


A: Flexible connection of the hood at the front, the back, or at the bottom
 Measurements in inches (mm)

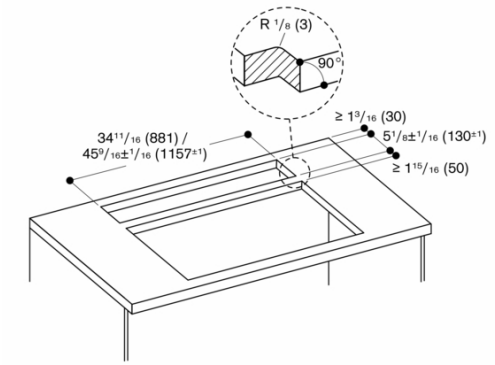
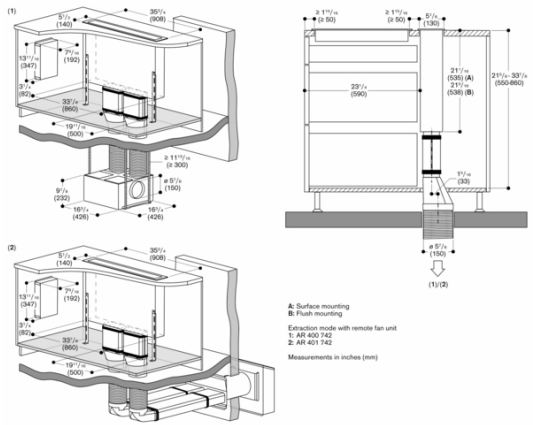


A: Connection at the front with AD 754 049
 B: Connection at the back with AD 754 049
 C: Connection at the bottom with AD 854 050

Measurements in inches (mm)

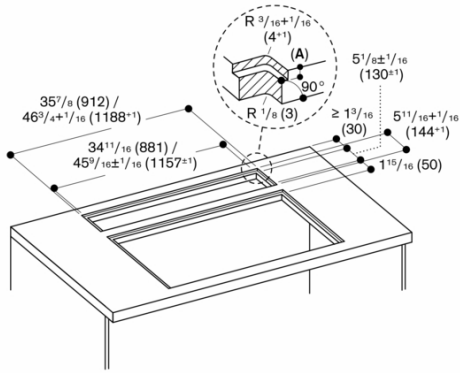


A: Surface mounting
 B: Flush mounting
 C: 29 1/4 (750 mm) with a worktop at min. height 36 1/2 (920 mm)
 Measurements in inches (mm)



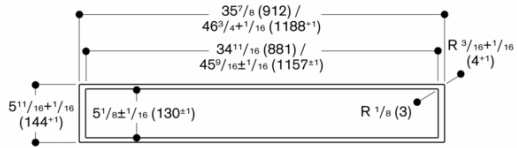
Measurements in inches (mm)

AL400792
 Table ventilation 400 series
 stainless steel
 Width 90 cm
 Air extraction / Air recirculation
 Motorless
 2022-04-15
 Page 3



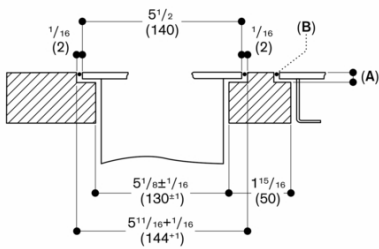
A: $\frac{1}{8}$ " (3.5^{0.5} mm)
 Measurements in inches (mm)

View from above



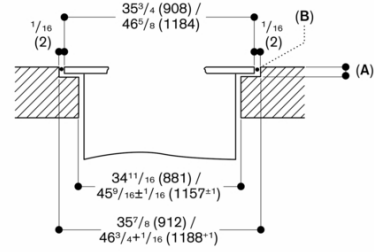
Measurements in inches (mm)

Cross section

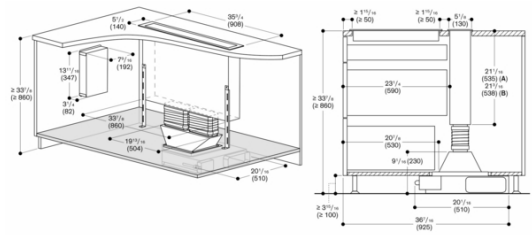


A: $\frac{1}{8}$ " (3.5^{0.5} mm)
 B: Fill with silicone
 Measurements in inches (mm)

Longitudinal section



A: $\frac{1}{8}$ " (3.5^{0.5} mm)
 B: Fill with silicone
 Measurements in inches (mm)



A: Surface mounting
 B: Flush mounting
 Measurements in inches (mm)